



Model No.: _____ 191-691

Vendor No.: _____ 11289

UPC# _____ 792145326687

REMOTE CONTROL INSTALLATION

GENERAL INFORMATION

This remote control is designed to separately control your ceiling fan speed and light brightness.

- The fan button will control the fan speed. (Hi, Med., Low, Off)
- The light buttons will control the lights, brightness dimmer and off.
- The red indicator on the transmitter will light when the button is pressed.

NOTE:
When installing the remote control, be sure your fan is operated in "HIGH SPEED" and light is in "ON" condition at the switch knob.

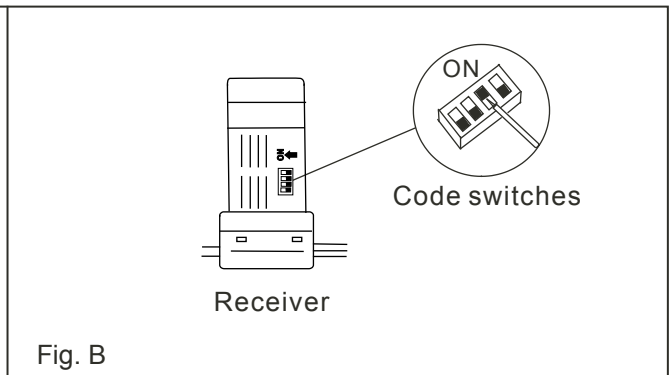
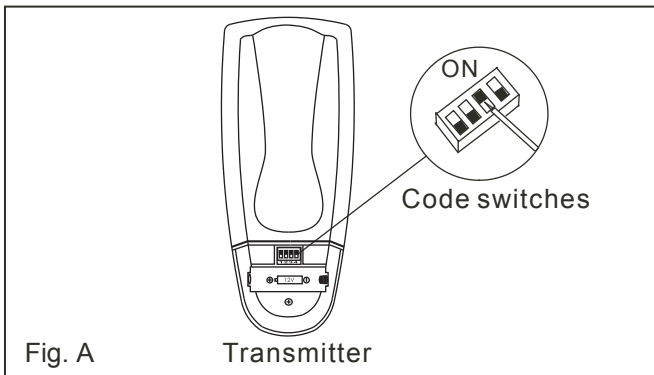
INSTALLATION AND OPERATING INSTRUCTIONS

NOTE: This remote control unit is equipped with 16 code combinations to prevent possible interference from or to other remote units. The frequency switches on your receiver and transmitter have been preset at the factory. Please recheck to make sure the switches on transmitter and receiver are set to the same position, any combination of settings will operate the fan as long as the transmitter and receiver are set to the same position.

1. SETTING THE CODE

This unit has 16 different code combinations. To set the code, perform these steps:

- A. Setting the code on the transmitter:
 - a. Remove the battery cover. Press firmly below the arrow and slide battery cover off.
 - b. Slide the code switches to your choice of up or down position. (Factory setting is all up). Do not use this Position. Use a small screwdriver or a ballpoint pen to slide firmly up or down (Figure A).
 - c. Replace the battery cover on the transmitter.
- B. Setting the code on the receiver: a. Slide the code switches to the same positions as set on your transmitter (Figure B).



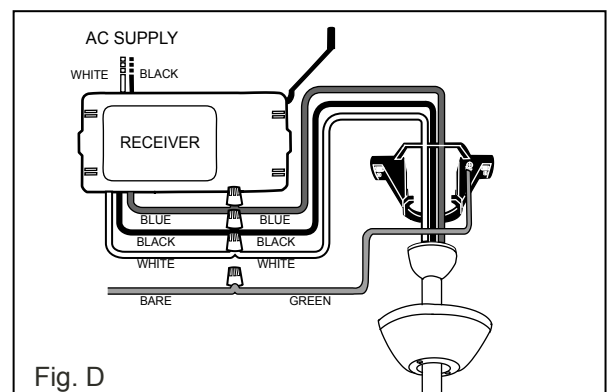
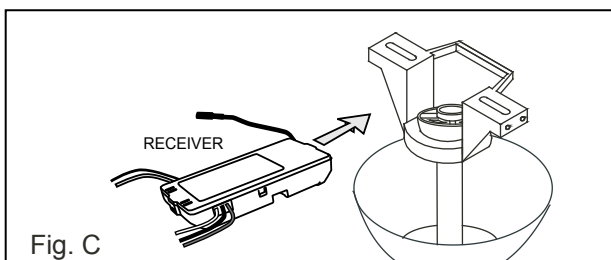
2. INSTALLING RECEIVER IN THE CEILING FAN

- A. Safety precautions:

WARNING: HIGH VOLTAGE! Household electrical power can cause serious injury or death. Disconnect the source of electrical power to the ceiling fan by removing the fuse or switching off the circuit breaker.
- B. Installing receiver in fan.:
 - a. Remove the ceiling fan canopy from the mounting bracket.
 - b. Disconnect the existing wiring between the ceiling fan and supply at the electrical junction box.
 - c. Lay the black antenna wire on top of the receiver, and put the receiver in the mounting bracket. (Fig. C)
 - d. Make the connections as follows, using the wire nuts supplied: (Fig. D)

CONNECT TO

Green fan wire.....	Bare supply wire
Black receiver wire (AC IN L).....	Black supply wire
White receiver wire (AC IN N).....	White supply wire
White receiver wire (TO MOTOR N).....	White fan wire
Black receiver wire (TO MOTOR L).....	Black fan wire
Blue receiver wire (FOR LIGHT).....	Blue light wire

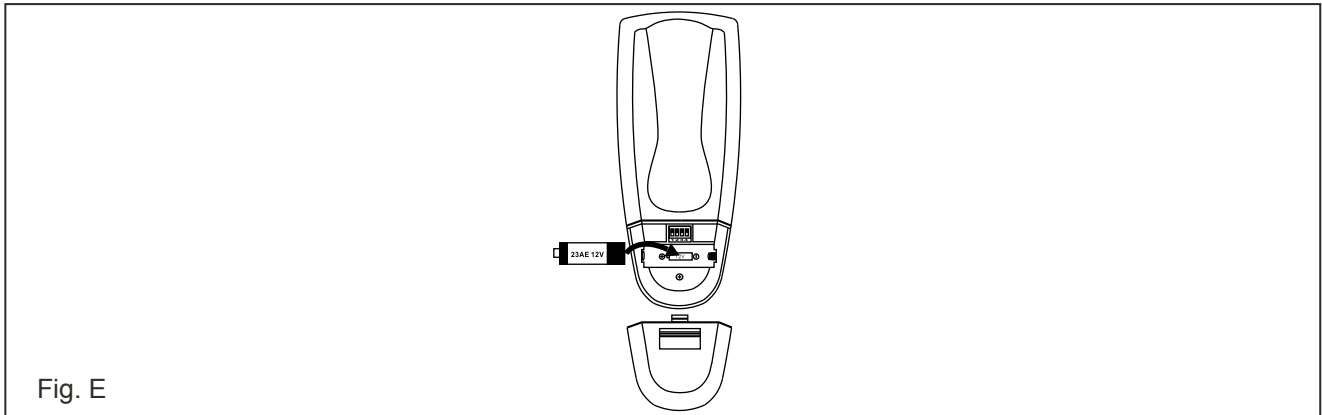


If other fan or supply wires are different color, have this unit installed by a qualified electrician.

- e. Push all connected wires up into junction box.
- f. Reinstall the canopy on the mounting bracket.
- g. Restore the electrical power.

3. OPERATING TRANSMITTER:

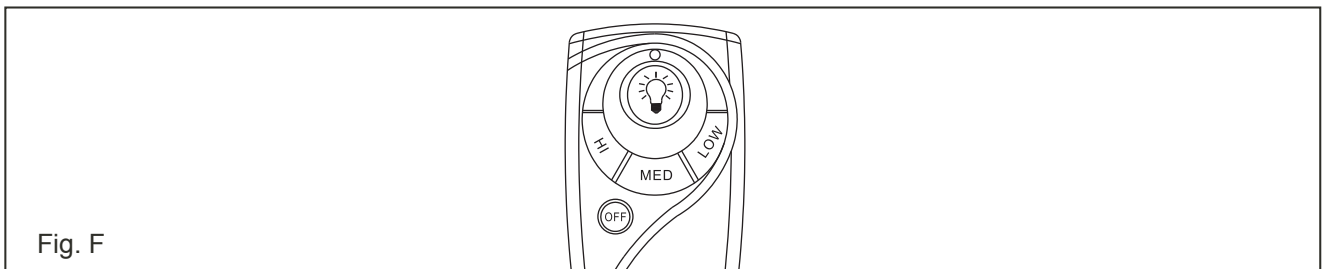
A. Install 12V MN21/A23 battery (not included). To prevent damage to transmitter, remove the battery if not used for long periods. (Figure E)



- B. Store the transmitter away from excess heat or humidity.
- C. This remote control unit is equipped with 16 code combinations to prevent possible interference from or to other remote units such as garage door openers, car alarm or security system. If you find that your fan and light kit go on and off without using your remote control, simply change the combination code in your transmitter and receiver.
- D. Operation buttons on the panel of the transmitter: (Figure F)
The "HI, MED, LOW" buttons:
These three buttons are used to set the fan speed as follows:
LOW= Low speed **MED**= Medium speed **HI**= High speed

The "OFF" button:
This button turns the fan off.

The "💡" button:
This Button will control the light brightness.
The light function is controlled by pressing the "💡" key. Hold the key down to increase or decrease the light. Tap the key quickly to turn the light off or on. If you press the button in excess of 0.7 seconds it becomes a dimmer. The light varies cyclically in 0.8 seconds. The light key has auto resume, so it will stay at the same brightness as the last time it was turned off.



YOUR REMOTE NOW HAS FULL CONTROL OF THE FAN AND LIGHT.

4. TROUBLESHOOTING GUIDE

- A. **Fails to operate:**
 - a. Power to the receiver?
 - b. Receiver wired correctly?
 - c. Fan manual speed control in highest position?
 - d. Light kit switch turned on?
 - e. Good battery in the transmitter?
 - f. Code set at exact same position in both transmitter and receiver?
- B. **Won't operate at distance:**
If transmitter operates the fan and the light kit when up close, but not a 30 feet away, try placing the black antenna wire higher; up through the ceiling, outside the junction box.

NOTICE!
Your ceiling fan and light kit assembly must meet the following requirements:

- 1. Do not use with solid state fans.
- 2. Electrical rating: 120V / 60 Hz
MAX. motor amps: 1.0 A
MAX. light watts: 300 W
(Incandescent only)

Distributed by Home Depot U.S.A., Inc.
2455 Paces Ferry Rd. N.W. Atlanta, GA 30339

© 2004 Homer TLC, Inc. All Rights Reserved
Hampton Bay is a registered trademark of Homer TLC, Inc.

TOLL FREE# 877-898-1881