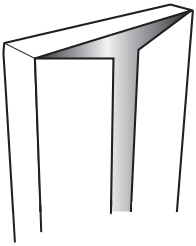


Ultimate Security Screen Door Installation Instructions

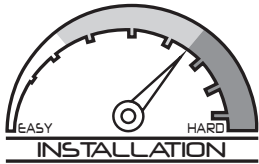


- Read completely through the installation instructions before proceeding with installation
- Installation requires two people
- Use appropriate protective equipment, including safety glasses
- Children should not be allowed in work area
- Failure to install door correctly could result in injury



RETAIN PACKAGING DURING INSTALLATION

Do NOT discard packaging materials until installation is complete



PROFESSIONAL INSTALLATION RECOMMENDED

Above average degree of difficulty. Requires installation experience.



helpmeinstallit.com

NEED HELP?

REVIEW INSTALLATION VIDEO

Even professional installers will benefit from watching.



1-866-317-8867
support@uhdco.com

CONTACT US BEFORE RETURNING

Customer service and technical support are available.
Monday - Friday

RECOMMENDED TOOLS



Safety Glasses



Measuring Tape



Pencil

Box Cutter



Drill Bit
1/8"
minimum length: 2-3/4"



Drill



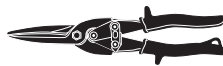
Needle Nose
Pliers



Square



Phillips-head & Flat-blade
screwdriver



Tin Snips



Level



Rubber Mallet



Wood Blocks (2"x4"x6")
Shims



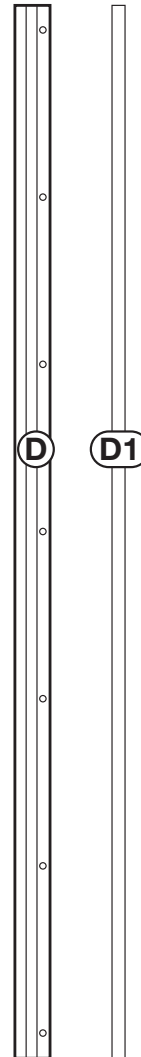
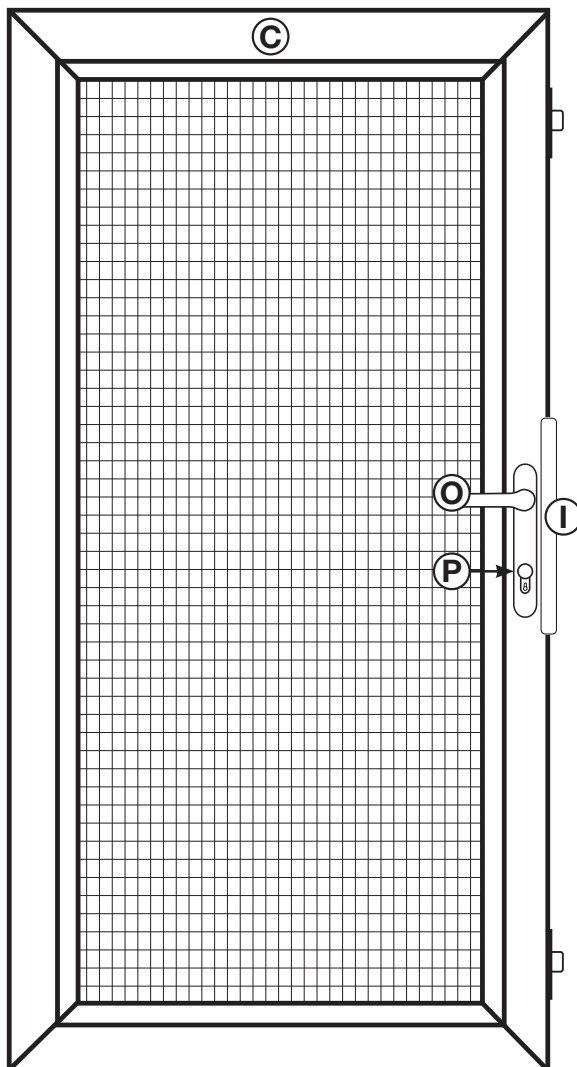
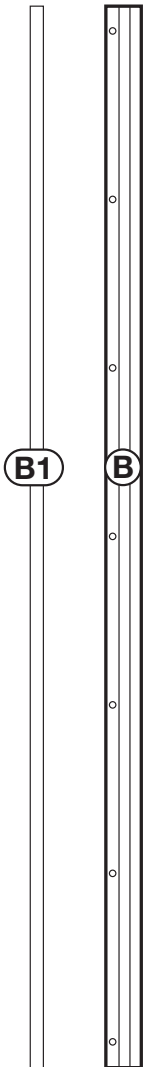
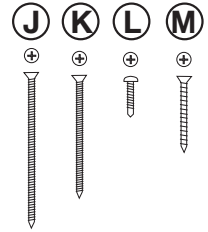
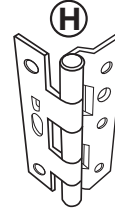
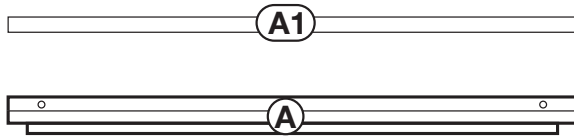
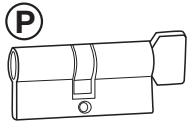
Paintable Caulk &
Caulk Gun

DOOR PARTS

- A) Top header jamb
- A1) Top header jamb snap cover
- B) Hinge-side jamb
- B1) Hinge-side snap cover
- C) Security screen door
- D) Lock-side jamb
- D1) Lock-side snap cover
- E) Bottom bar
- F) Bug sweep
- G) Threshold plate

HARDWARE & FASTENERS

- H) Hinges (3) & fasteners (18)
- I) Latch guard
- J) #10x2-1/2" flat-head screws (12 pcs.)
- K) #6 x 2" temporary drywall screws (6 pcs)
- L) #6x5/8" pan head screws (painted - 3 pcs, black - 10 pcs)
- M) #8x1" painted flat-head screws (2)
- N) Latch plate plug
- O) Handles (2)
- P) Lock cylinder & flat-head bolt (1)
- Q) Threshold template



1 Identify and prepare mounting surface

Inspect Your Entryway for Obstructions

Check for any obstructions above and around your entryway that may prevent the outward swing of your new security door, and/or its installation, such as:

- Light fixtures
- Low overhang
- Door bell
- Trees, bushes, or hanging plants

Determine Type and Readiness of Mounting Surface

Your security door will require a minimum mounting surface of 1" on the trim above, and on both sides of your entry door. Mounting screws must be secured to a stud in the wall. Review diagrams at right and determine which one most resembles the trim around the entry door to which you will mount your security door.

Measure Your Opening

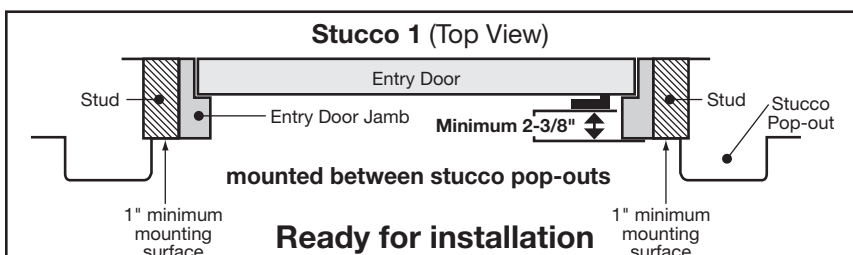
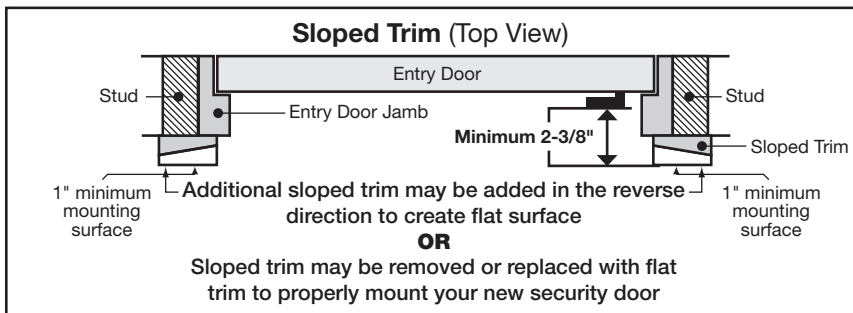
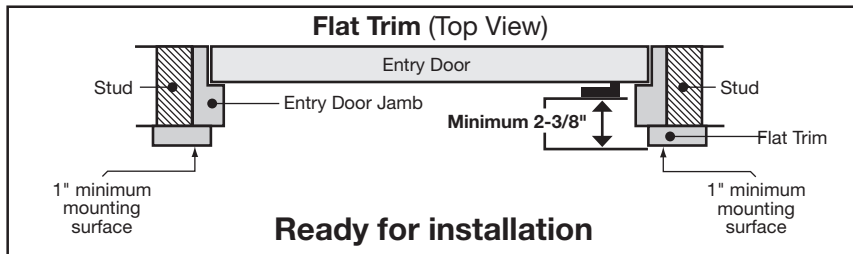
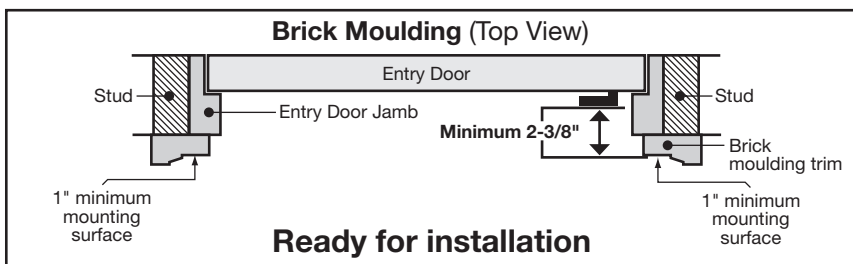
Measure between the inside edges of the left and right mounting surfaces for opening width. Measure between the bottom edge of the upper mounting surface and the existing threshold for opening height. Use the following chart and these measurements to be sure the security door will fit your opening.

Security Door Size	Fits Door Opening Sizes	
	Width (W)	Height (H)
32" x 80"	31 7/8" - 32 3/8"	79 3/4" - 81 3/4"
36" x 80"	35 7/8" - 36 3/8"	
36" x 96"	35 7/8" - 36 3/8"	95 3/4" - 97 3/4"

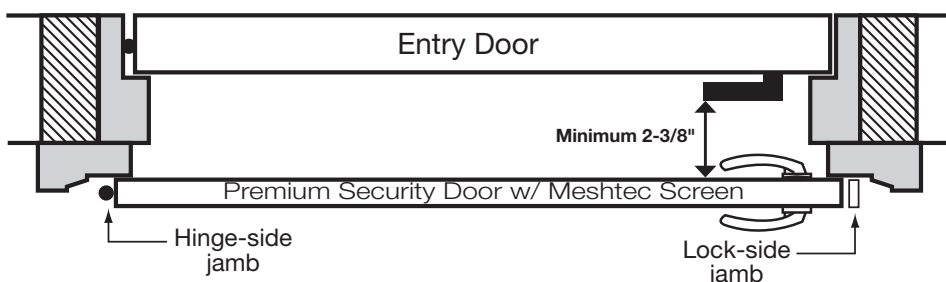
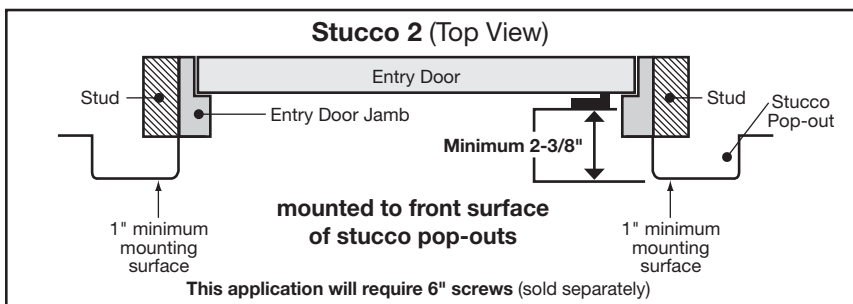
If the opening identified does not fall within the fit range, you can check to see if there is another mounting surface in your entryway that will work, build your mounting surface out using stop or similar trim, or remove and reconfigure your trim to fall within the fit range.

Check for Hardware Interference

Measure the depth from the corner of your mounting surface to your existing entry door hardware. If this measurement is 2-3/8" or greater there is no potential for hardware interference. If the measurement is less than 2-3/8", measure from the edge of the mounting surface on top of the door to the top and bottom edge of the part of your existing hardware that intrudes into the 2-3/8" clearance. If either of these two measurements falls between 39-1/4" and 43-1/4", the security door and existing door hardware will interfere with each other. You can either build your mounting surface out to create the clearance required or mount your security door with an opposite swing to your main entry door. If there is less than 2-3/8" clearance between the surface of the main entry door and the security door mounting surface, a build out is required.



CAUTION: Check closely for possible hardware interference!



2 Determine your threshold configuration

Look at your existing entry door threshold and use the diagrams below to determine which threshold configuration best applies to your entryway. This will determine whether a bottom bar is or is not required for your security door.

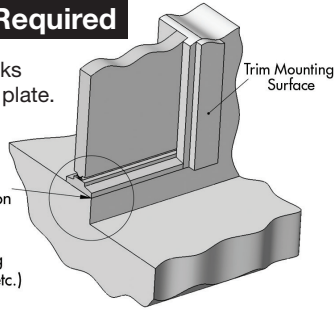
Bottom Bar Required



The concrete is set back and lacks space to mount to the threshold plate.

Threshold near edge of foundation

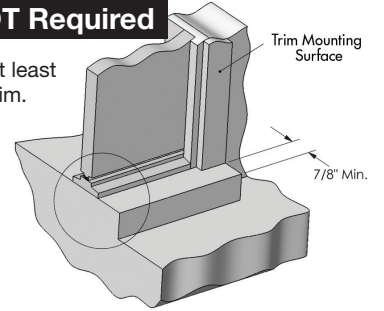
Exterior landing (walkway, patio, etc.)



Bottom Bar NOT Required

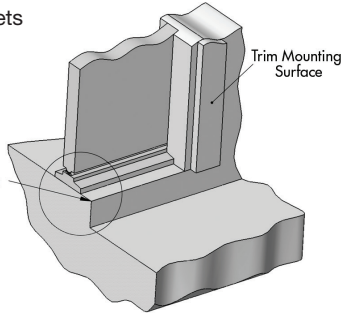


The concrete extends at least 7/8" further than your trim.

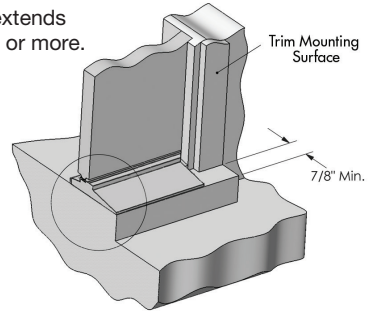


The concrete and threshold sets back behind the trim.

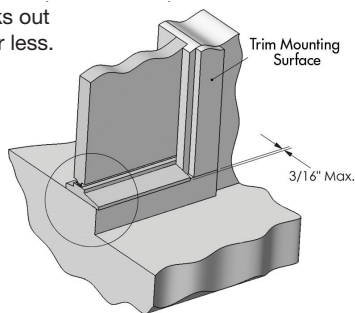
Stem wall forms a ledge in front of the threshold



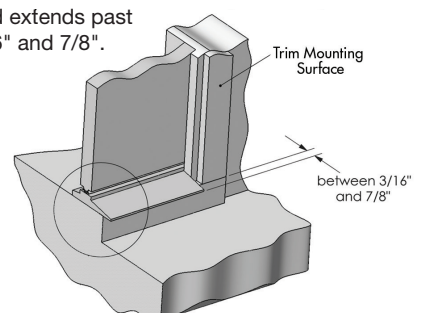
The existing threshold extends beyond the trim by 7/8" or more.



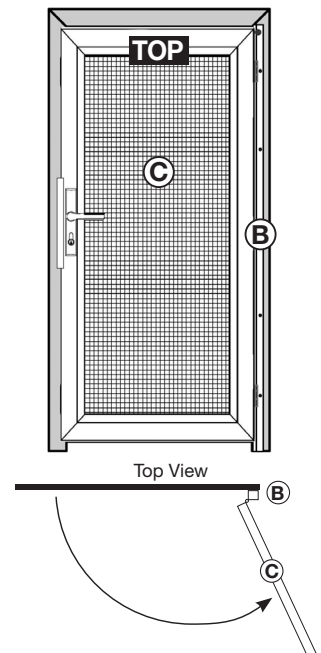
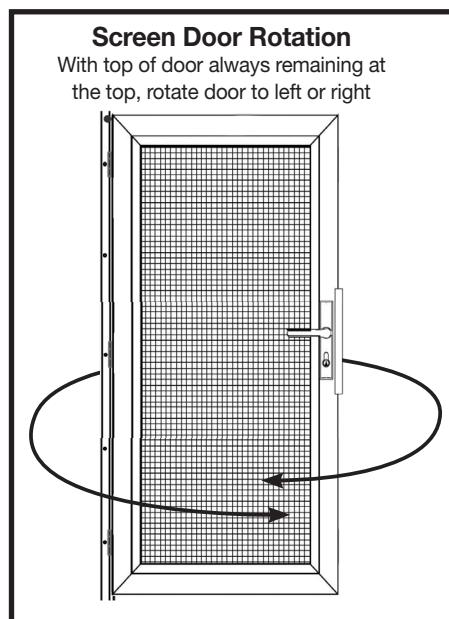
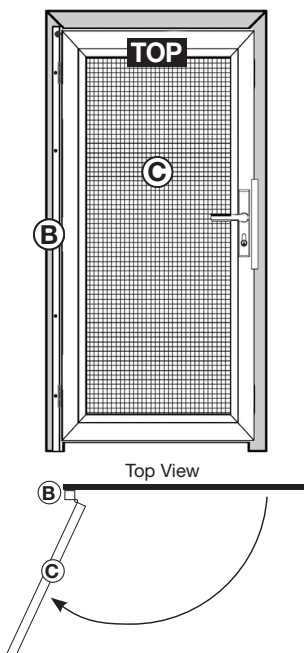
The existing threshold sticks out beyond the trim by 3/16" or less.



The existing threshold extends past the trim between 3/16" and 7/8".



3 Determine swing

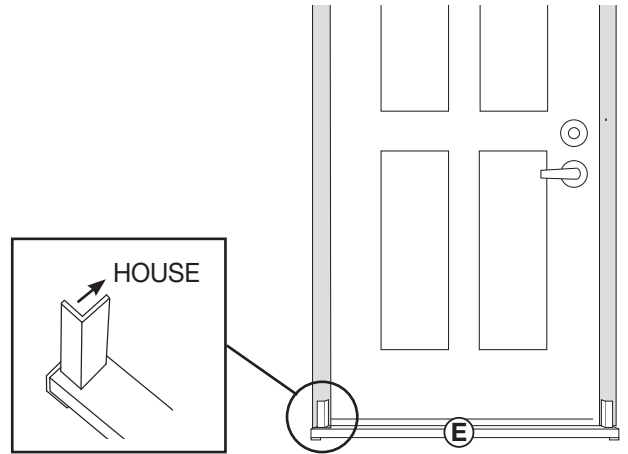


4 Install the bottom bar if applicable

If there is **NOT** a 2-3/4" space below both jambs it is **necessary to install the bottom bar assembly**. It is okay to move the jambs up within the doorway to ensure this space, as long as the top of the jambs do not go beyond the top-edge of your mounting surface.

The bottom bar (**E**) will need to be installed 1/8" to 1/4" lower than the existing doorway so that there is a slope to the threshold. This allows any moisture to drain away from the entry door.

Center the bottom bar in the door opening. Be sure the bracket opening is towards the house. Install the bottom bar using two black #6x5/8" pan head screws (**L**) as shown. Keep your drill on a low speed so the threads do not strip.



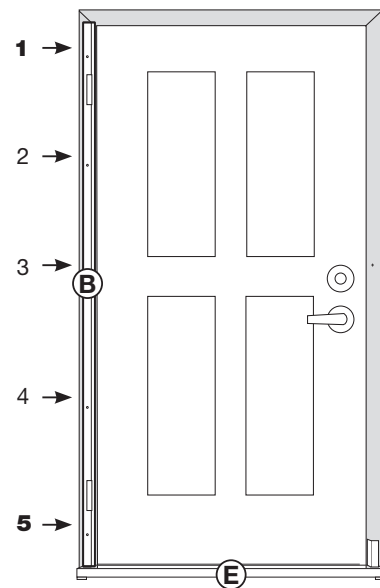
5 Install the hinge-side jamb

Note: As stated in Step 4, there should be a minimum of 2-3/4" space below the lock side jamb and below the entire width of the door to allow space for the bottom bar. If a 2-3/4" space exists across the entire doorway, you do **NOT** need to install a bottom bar.

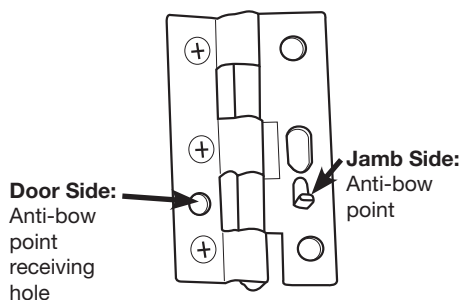
Place the **hinge-side jamb (B)** into position over bottom bar (**E**), verify that it is plumb and level against the mounting surface, and install two #6x2" dry wall screws (**K**) supplied into holes **1 & 5** (see diagram), and temporarily mount the hinge-side jamb (**B**).

These screws are inserted to temporarily hold the jamb plumb. **Do NOT install permanent screws until the door is completely installed and working properly.**

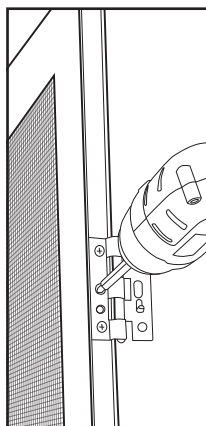
To avoid interference with the primary entry door handle do NOT shift too far to one side.



6 Attach hinges to door and door jamb



Note: The Anti-bow point receiving hole lines up with the pre-drilled hole on the door.



Place hinge (**H**) over pre-drilled holes on the door. The flat part of the hinge attaches to the door. The barrel side of the hinge should always be on the outside of the door. Use screws provided with the hinges and attach all 3 hinges to the door.

Note: Do **NOT** over tighten screws.



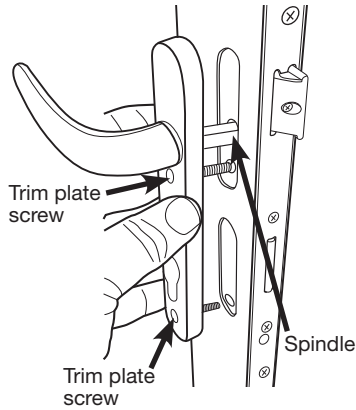
Have a helper hold the door in place. It is important the door is held in proper alignment so the first mounting screw in each hinge is driven straight into the door panel. It may help to use blocks or similar props to assist in keeping the door properly aligned. Attach all 3 hinges to door using the screws provided.

Note: Do **NOT** over tighten screws.

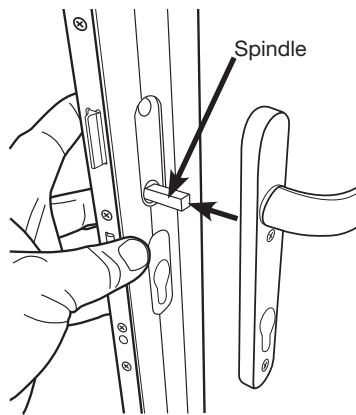
CAUTION: Do NOT lay door on it's side so that it rests on the 3-point lock throws.

7 Install handle and lockset

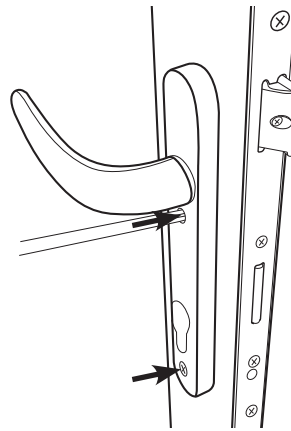
1) Start on the **interior** side of the door. With the handle **(O)** facing toward the screen, insert the spindle and mounting screws through the mortise gear in the door panel.



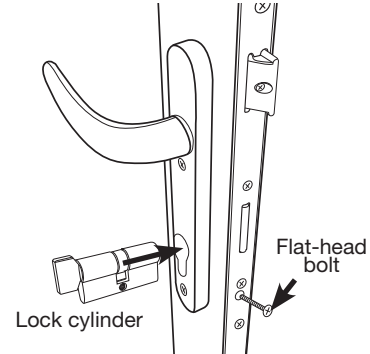
2) On the **exterior** of the door with the handle pointing toward the screen, align the openings on the inside of the handle with the spindle and mounting screws. Position the handle against door frame.



3) While holding both handle trim plates in place, tighten the mounting screws and then back off 2 turns. These screws will be tightened after the lock cylinder is installed.



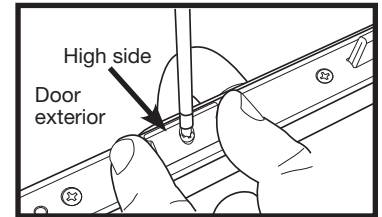
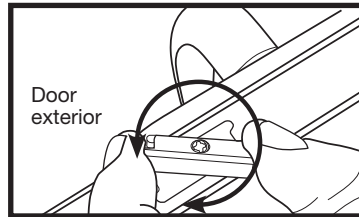
4) From the **inside** of the door, insert the lock cylinder **(P)** into the door through the trim plate. Using a Phillips-head screw driver, tighten the flat-head bolt until snug. Do **NOT** over-tighten. Tighten the two handle mounting screws until snug.



For duplication and rekeying purposes, the lock cylinder provided uses a Kwikset® keyway.
*Kwikset® is a registered trademark of Newfry LLC.

8 Flip center latch (if necessary)

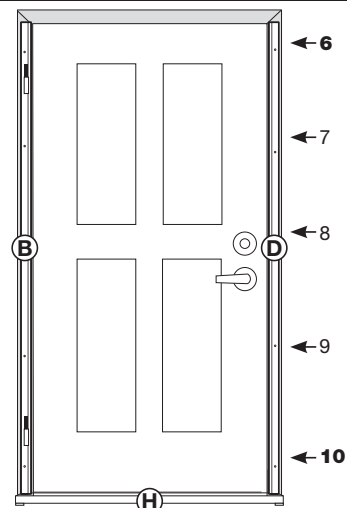
Depending on right or left side placement of active door the center latch may need to be flipped. With a small phillips-head screwdriver loosen (do not remove) the screw just enough to raise the latch and turn clockwise to reverse the position. Depress the latch back into its slot and hold in while tightening the screw. **Note:** the high side of the latch should be on the exterior side of the door. Re-tighten screw.



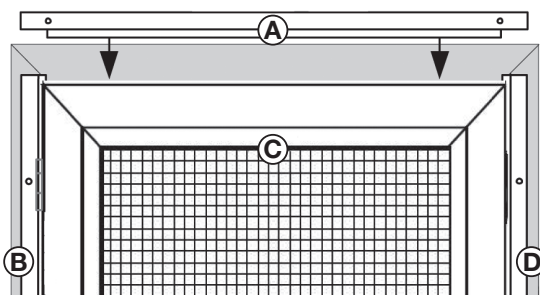
9 Install the lock-side jamb

Place the **lock-side jamb (D)** into position over bottom bar **(E)**, verify that it is plumb and level against the mounting surface, and install two #6x2" drywall screws **(K)** into holes **6 & 10** (see diagram).

These screws are inserted to temporarily hold the jamb plumb. **Do NOT install permanent screws until the door is completely up and working properly.**



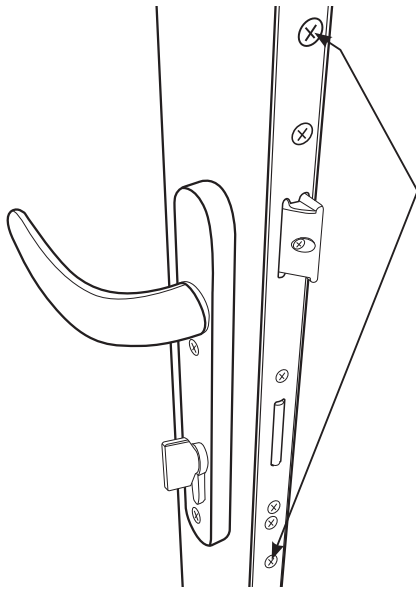
10 Install the top header jamb



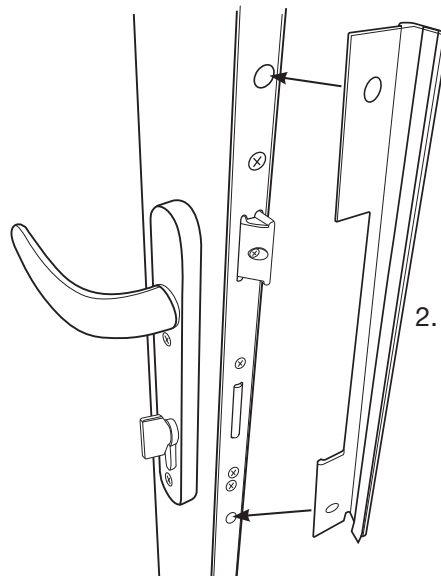
Place the **top header jamb (A)** into position, align flush on both ends with each side jamb. Install one #6x2" dry wall screw **(K)** supplied into the hole on the lock side (right side in this example diagram) to temporarily mount the top header jamb.

These screws are inserted to temporarily hold the jamb plumb. **Do NOT install permanent screws until the door is completely installed and working properly.**

11 Install latch guard



1. Remove top and bottom screws from the one-piece gear.



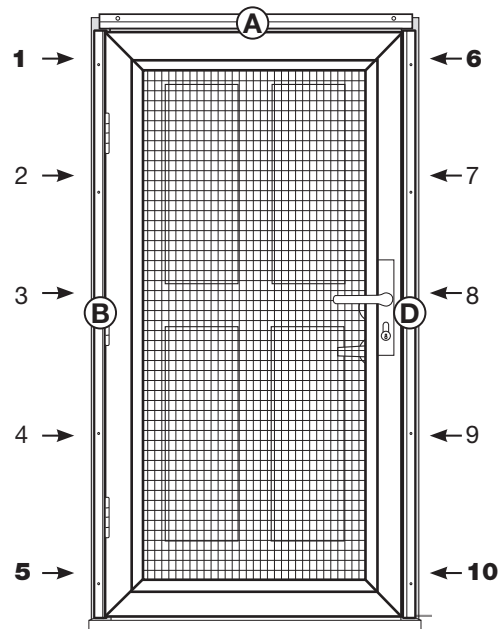
2. Attach the latch guard (I) provided in the hardware box using two #8x1" painted flat-head screws (M) in the pre-drilled holes.

12 Adjust and align door & install permanent screws

CAUTION: The door must be close enough to the lock-side jamb (D) to engage the 3-point locking system trigger. If not, the hardware will not operate properly.

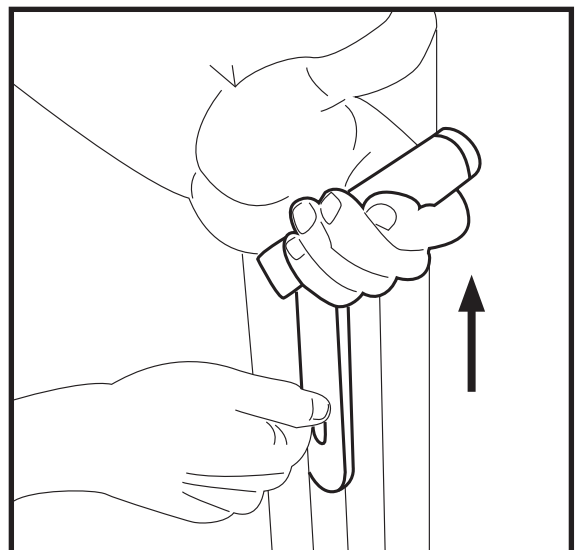
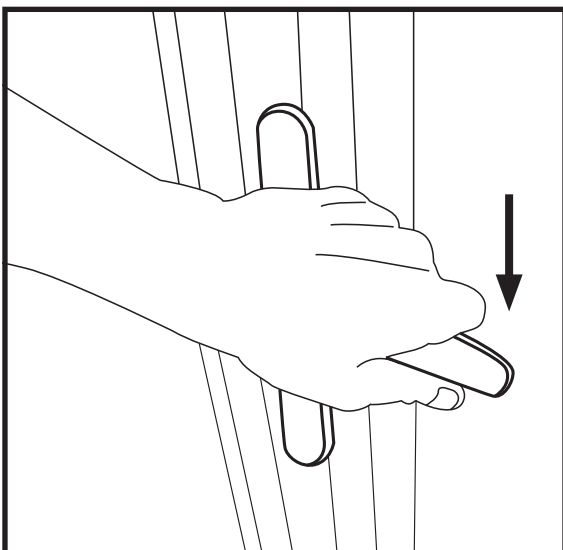
Once in position the door should align at the top and down the side evenly. If adjustment is needed loosen (do **NOT** remove) the top temporary screw in the side jambs and the temporary screw in the top jamb (A). Use a rubber mallet to tap the right or left side jamb so door becomes aligned. **Test door for proper engagement of the locking system trigger** then re-tighten temporary screws.

Pre-drill with 1/8" drill bit in remaining holes 2,3,4,7,8 & 9 of side jambs and remaining hole of the top jamb then install permanent screws #10x2-1/2" flat-head screws (J). Remove temporary screws one at a time from holes 1,5,6,10 & top and replace with permanent #10x2-1/2" flat-head screws (J).

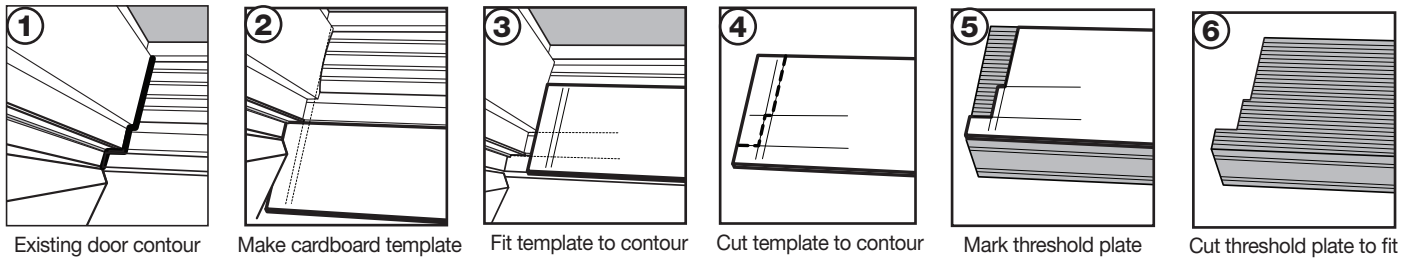


13 Test locking mechanism

Verify that the locking mechanism opens, closes and locks properly. To test, pull down on the door handle to open the door. Pull up on the door handle to engage the 3-point locking mechanism then turn the thumb-turn on the inside of the door clockwise or turn the key counterclockwise to lock.

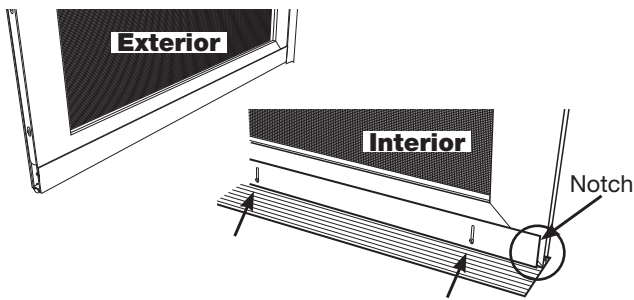


14 Install threshold plate



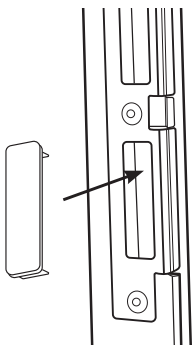
- ① The contour of door framing varies, making it necessary to cut the threshold plate (G) to fit. We recommend cutting a cardboard template (Q) to fit the opening first, to avoid cutting the threshold plate incorrectly.
- ② Lay provided cardboard template (Q) on top of the bottom bar and push into existing threshold as far as it will go. Using a straight edge, mark the template at the various widths of your existing moulding and trim at both ends.
- ③ Move template so that front edge is flush to the front edge of bottom bar (it is okay to bend template to allow to fit the shortest width between your moulding and trim). Mark at the various corners of your existing moulding and trim.
- ④ Using a box knife, cut template to shape of moulding and trim revealed by the markings. Test fit the template. (It should lay across the bottom bar, with the front edge flush to the front edge of the bottom bar, and fit in and around the corners of the existing moulding and trim.)
- ⑤ Once you have created a good template, use the template to mark the threshold plate.
- ⑥ Using tin snips/aviator snips, cut threshold plate to match the shape of the template (Q). Position threshold plate to extend across the bottom bar and into the existing threshold. Attach threshold plate to existing threshold using #6x5/8" black pan head screws (L).

15 Install bug sweep



Open the door. With the notched side on the **interior** of the screen door slip the multi-blade bug sweep (F) onto the bottom of the door. Hold sweep in place and close the door. Allow the sweep to fall and sit resting on the threshold plate (G). **Note:** Be sure there is not a gap between the sweep and the threshold plate and that the sweep is centered on the bottom of the door. Using two #6x5/8" painted pan head screws (L), attach the sweep to the bottom of the door on the interior. Test that the door opens and closes freely. If not, loosen the screws and make necessary adjustments. Re-tighten screws and test again. Repeat until successful.

16 Install latch plug

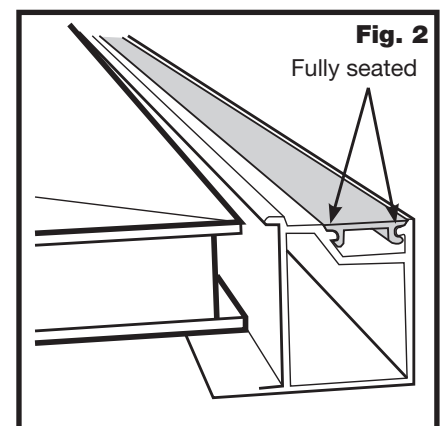
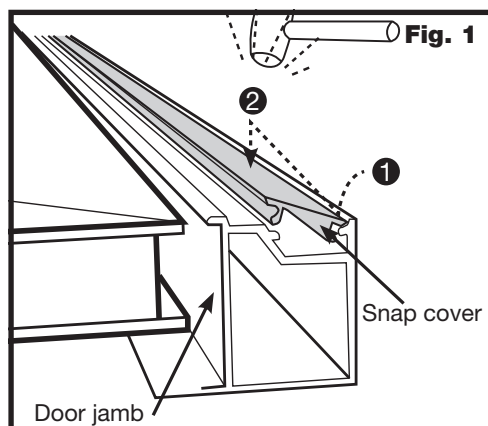


Install latch plug (N) in unused bottom slot.

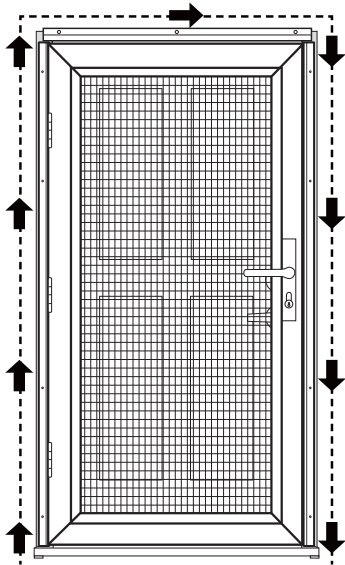
17 Install the snap covers

Place the snap cover (A1) in the top-header jamb (Fig. 1, step 1). Using a rubber mallet, hit on the side of snap cover seen in (Fig. 2) to securely snap cover into place. Once snap cover is secured, hold a wood block over the length of the snap cover and hit with mallet to smooth any irregularities in the snap cover surface.

Repeat process for the hinge-side (B1) and lock-side (D1) snap covers.



Final touch-up suggestions



- ① Caulk (not included)**
Caulk around the outside of the security door jamb frame, using paintable caulk, and paint to the desired color.

- ② White Grease Lubricant (not included)**
Use white grease to lubricate the hinges of your new security door.

Care and maintenance

Over time, airborne dust, dirt, and impurities can accumulate, which will cause visual defects to your Meshtec screen and, if not regularly and properly removed, can lead to further damage, staining, and corrosion. Your cleaning schedule depends upon your environment:

ENVIRONMENT	DESCRIPTION	CLEANING SCHEDULE
Mild	Inland, rural, and away from industry and urban activity	every 6 months
Moderate	Urban/suburban, inland, and away from heavy industry	every 3 months
Extreme	Urban/suburban, coastal (within 25 miles), or near heavy industry	every 2-4 weeks

Thoroughly wash the screen and door frame using a soft cloth, mild soap, and water. Take care to avoid exposing handles, main lock, and 3-point locks to excessive amounts of water. Using a dry, soft cloth, remove any excess water when done. Pay particular attention to drying the screen to frame attachment area fully. Avoid using any sharp objects or abrasive materials on the door frame or screen. Use white grease to lubricate the hinges at each cleaning.

Warranty

Your Unique Home Designs security door with Meshtec Advanced Screen System is warranted against manufacturer defects under normal, residential use for the first 10 years you own the product, and terminates if you sell or otherwise transfer the product or the property upon which it was installed. An additional 5 years warranty protection is awarded (for 15 year total warranty) when the product is registered on-line at uniquehd.com/registration. Bug sweeps, weather-stripping, composite materials, and hardware included with or installed on the security door are covered for one year from date of purchase. Accessories fitted to the security door are not covered by this warranty, including but not limited to locks, handles, rollers, and closers. These accessories may be covered by warranties provided by the manufacturer or supplier of the products. Any problem caused by abuse, misuse, failure to follow care and maintenance instructions, adjustments due to settling of the structure that the product is mounted on, improper installation, or acts of God are not covered. Cutting parts not specified by the installation guide and parts drilled incorrectly are not included in this warranty. If manufacturer defects occur, Unique Home Designs will, at our discretion, either repair or replace the door. If your home is burglarized and entry was accomplished through a UHD security door, locked with the 3 point locking system, while this warranty is in effect, UHD will pay your insurance deductible up to \$1000 or replace, as applicable, the damaged UHD security door at no charge. Replacement items may vary in style due to changes in suppliers and product. Not all colors can be reproduced if colors have been discontinued. UHD is not responsible for any labor expense required to repair or replace the door. UHD is not responsible for securing the property while warranted items are being repaired or replaced.

To make a claim under this Warranty, send a brief written description of the problem, a picture of the claim, proof of purchase, and your contact information to: Unique Home Designs, 973 N. Colorado Street, Gilbert AZ. 85233
Attn.: Warranty Claims

"Meshtec" is the registered Trade Mark of Meshtec International Co., Ltd. ('MTC') in the United States and other various worldwide jurisdictions (including registrations pending) and may not be used without the prior written consent of MTC.

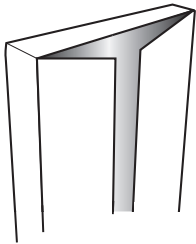
Extend Your Warranty!

When you register on-line at uniquehd.com/registration

Instrucciones de instalación de puerta con malla de seguridad *última*

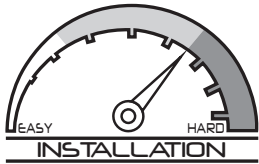


- Lee todas las instrucciones de instalación del kit antes de la instalación
- La instalación requiere de dos personas
- Usa el equipo de protección apropiado, incluyendo gafas de seguridad
- Mantén los niños alejados del área de trabajo
- Instalar incorrectamente la puerta puede causar lesiones



CONSERVA EL EMPAQUE DURANTE LA INSTALACIÓN

NO deseches los materiales del empaque hasta que la instalación haya terminado.



SE RECOMIENDA UNA INSTALACIÓN PROFESIONAL

Grado de dificultad por encima del promedio. Requiere experiencia en la instalación.



helpmeinstallit.com

¿NECESITAS AYUDA?

CONSULTA EL VIDEO DE INSTALACIÓN

Incluso los instaladores profesionales se benefician al verlo.



1-866-317-8867
support@uhdco.com

CONTÁCTANOS ANTES DE DEVOLVERLO

Servicio al cliente y soporte técnico disponibles.
Lunes - Viernes

HERRAMIENTAS RECOMENDADAS



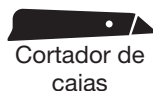
Gafas de seguridad



Cinta de medir



Lápiz



Cortador de cajas



Broca
1/8"
tamaño mínimo: 2-3/4"



Taladro



Alicates de punta de aguja



Plaza



Destornillador plano y de cabeza Phillips



Tijeras de hojalatero



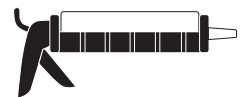
Nivel



Mazo de goma



Bloques de madera
(5.1 cm x 10.2 cm x 15.2 cm)
Cuñas



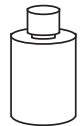
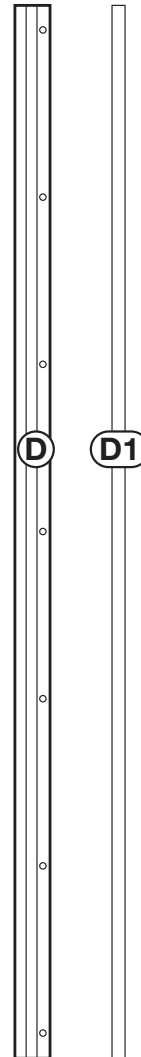
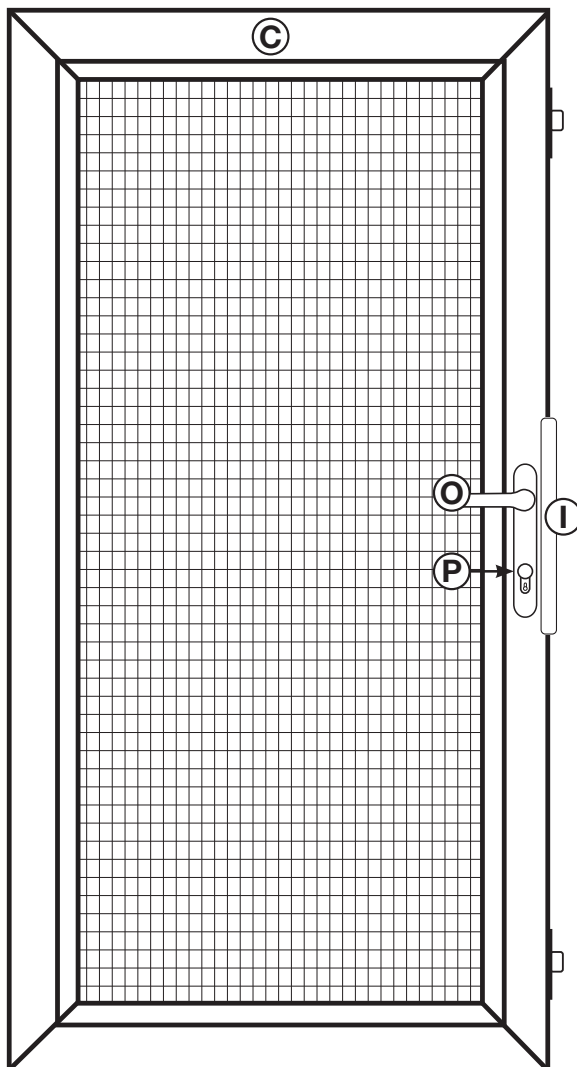
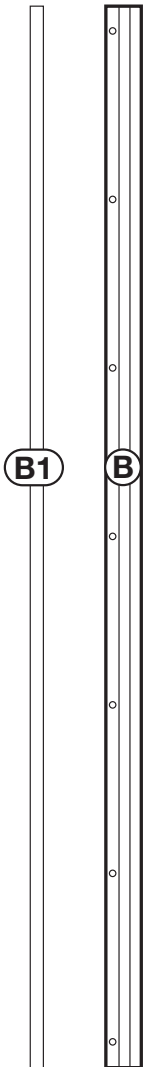
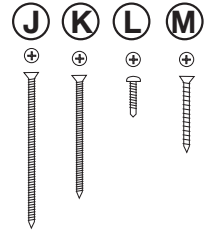
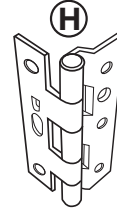
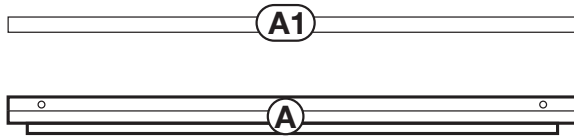
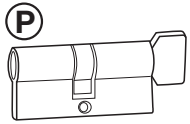
Pistola para pasta selladora y pasta selladora que se puede pintar

PIEZAS DE LA PUERTA

- A) Jamba del travesaño superior
- A1) Cubierta a presión de la jamba del travesaño superior
- B) Jamba del lado de las bisagras
- B1) Cubiertas a presión del lado de las bisagras
- C) Puerta con malla de seguridad
- D) Jamba del lado de la cerradura
- D1) Cubierta a presión del lado de la cerradura
- E) Barra inferior
- F) Guardapolvo inferior contra insectos
- G) Umbral

HERRAJES Y SUJETADORES:

- H) Bisagras (3) y sujetadores (18)
- I) Protector del pestillo
- J) Tornillos de cabeza plana núm. 10x2-1/2" (12 piezas)
- K) Tornillos temporales para drywall núm. 6 x2" (6 piezas)
- L) Tornillos de cabeza plana biselada núm. 6x5/8" (pintados -3 piezas, negros - 10 piezas)
- M) Tornillo de cabeza plana pintado núm. 8x1" (2)
- N) Tapón de placa para pestillo
- O) Manijas (2)
- P) Cilindro de cerradura y perno de cabeza plana (1)
- Q) Plantilla del umbral



Pintura para retoques



1 Determina y prepara la superficie de montaje

Revisa si hay obstáculos en la entrada

Comprueba si arriba o alrededor de la entrada hay obstáculos que puedan impedir la instalación de la nueva puerta de seguridad o su abertura hacia afuera; obstáculos como:

- Lámparas
- Salientes bajos
- Timbre de puerta
- Árboles, arbustos o plantas colgantes

Determina el tipo y el estado de la superficie de montaje

Tu puerta de seguridad necesita una superficie de montaje de al menos 2.5 cm en ambos lados de una esquina del contramarco o jamba superior y en los dos lados de la puerta de entrada. Consulta los diagramas a la derecha y determina cuál se parece más al contramarco de la puerta de entrada donde montarás tu puerta de seguridad.

Mide la abertura

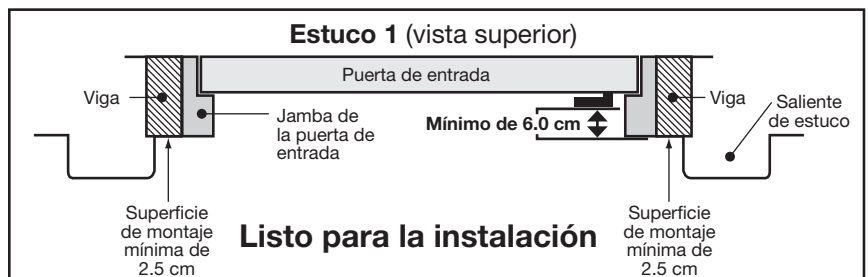
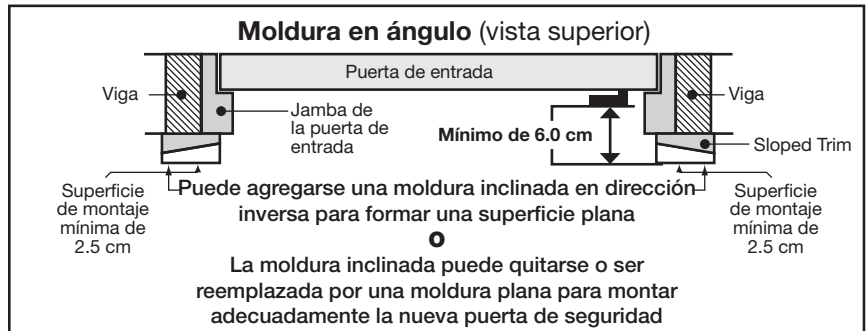
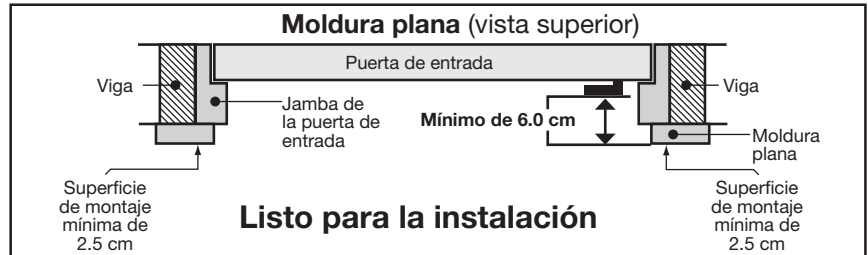
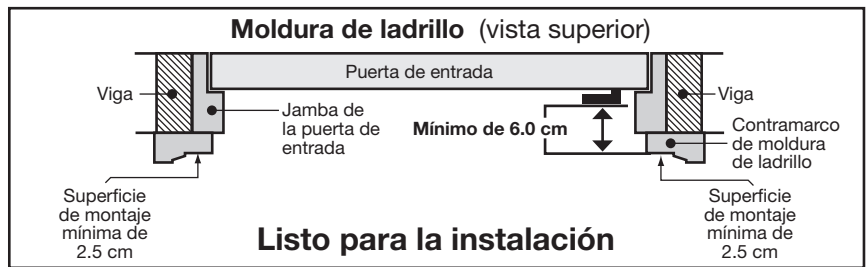
Mide el ancho de abertura entre los bordes de los lados derecho e izquierdo de la superficie de montaje. Mide el alto de abertura entre el borde de la superficie de montaje superior y el umbral existente. Usa la tabla siguiente y esas medidas para garantizar que la puerta de seguridad se ajustará a la abertura.

Tamaño de la puerta de seguridad	Se ajusta a tamaños de aberturas de puertas	
	Ancho (AN)	Altura (AL)
81.28 cm x 203.2 cm	80.96 cm - 82.23 cm	202.56 cm - 205.74 cm
91.44 cm x 203.2 cm	91.12 cm - 92.39 cm	
91.44 cm x 243.84 cm	91.12 cm - 92.39 cm	243.2 cm - 248.28 cm

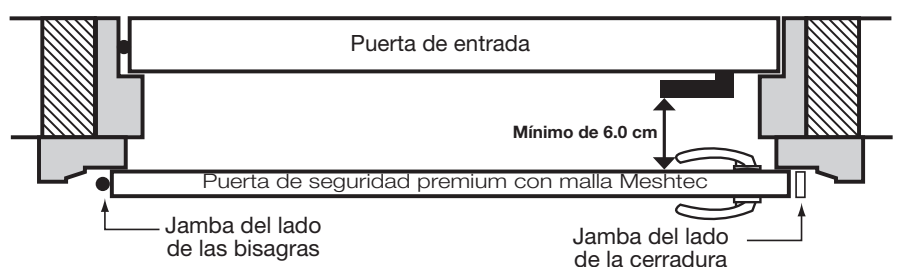
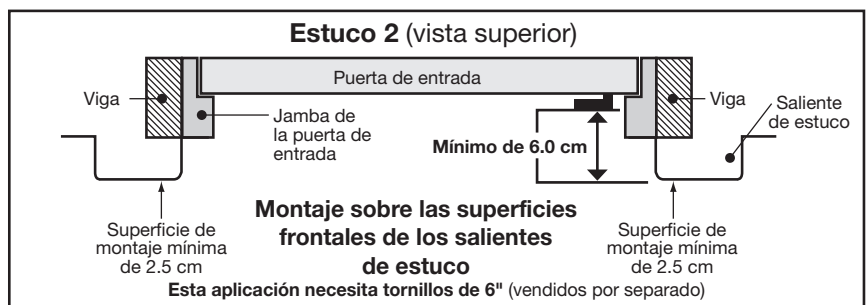
If the opening identified does not fall within the fit range, you can check to see if there is another mounting surface in your entryway that will work, build your mounting surface out using stop or similar trim, or remove and reconfigure your trim to fall within the fit range.

Verifica que no haya interferencia de herrajes

Mide la profundidad desde la esquina de tu superficie de montaje hasta los herrajes de la puerta de entrada existente. Si la medida es de 6.0 cm o mayor, no habrá interferencia de herrajes. Si la medida es menor que 6.0 cm, mide desde el borde de la superficie de montaje en la parte superior de la puerta hasta el borde superior e inferior de la parte de los herrajes existentes que penetra en el espacio de 6.0 cm. Si alguna de estas dos medidas está entre 997 cm y 1.1 m, habrá interferencia entre la puerta de seguridad y los herrajes existentes. Puedes expandir la superficie de montaje para crear el espacio necesario o puedes montar la puerta de seguridad de forma tal que abra hacia el lado contrario a la puerta de entrada principal. Si hay menos de 6 cm entre la superficie de la puerta de entrada principal y la superficie de montaje de la puerta de seguridad, se necesitará expansión.



PRECAUCIÓN: ¡Verifica bien que no haya interferencia de los herrajes!



2) Determina la configuración de tu umbral

Observa el umbral de tu puerta de entrada actual y usa los diagramas más abajo para determinar cuál es el umbral adecuado para tu entrada. Esto determinará si necesitarás o no instalar una barra inferior en tu puerta de seguridad.

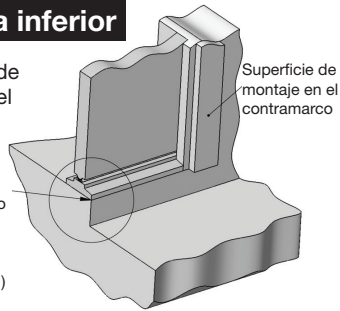
Requiere la barra inferior



No hay espacio en la superficie de concreto para montar la placa del umbral.

El umbral está cerca del borde del cemento

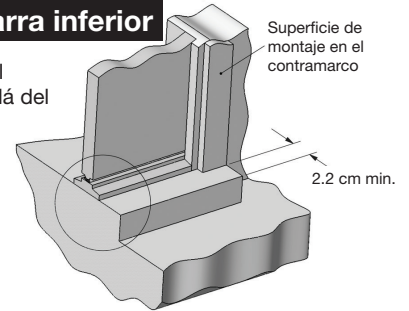
Descanso exterior (entrada, patio, etc.)



NO requiere la barra inferior

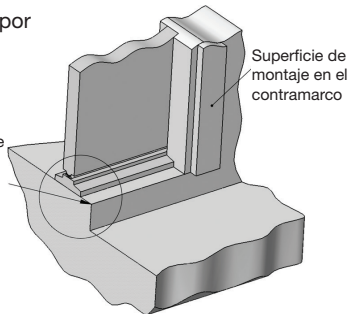


El concreto sobresale al menos 22.2 mm más allá del contramarco.

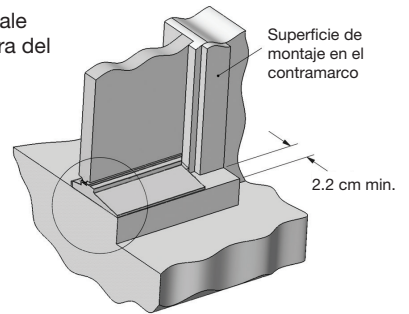


El concreto y el umbral están por detrás del contramarco.

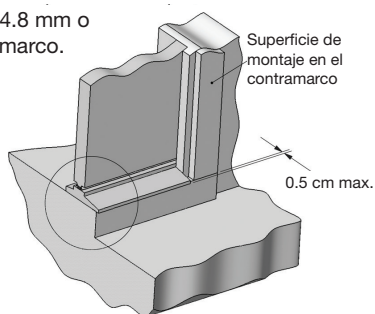
El cemento forma un saliente en frente del umbral pero no sobresale más allá de la superficie de montaje del contramarco



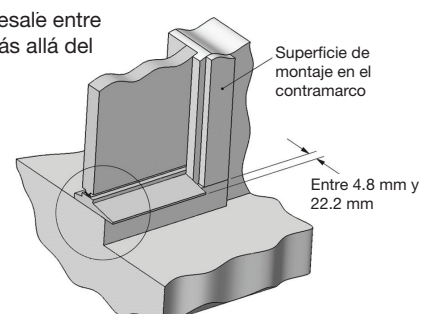
El umbral actual sobresale 22.2 mm o más por fuera del contramarco.



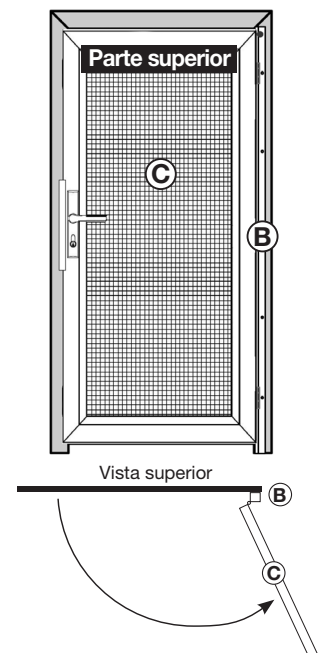
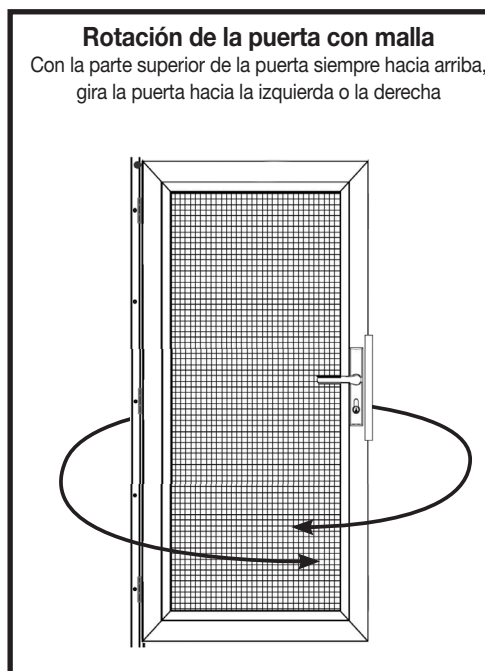
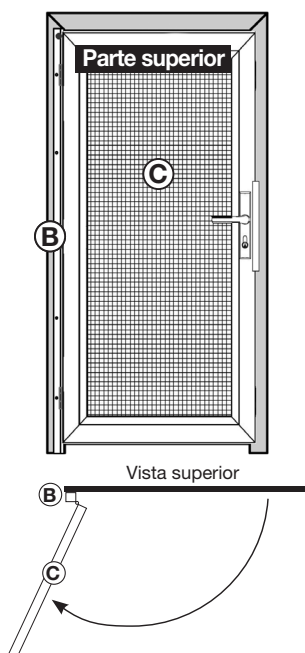
El umbral actual sobresale 4.8 mm o menos, más allá del contramarco.



El umbral actual sobresale entre 4.8 mm y 22.2 mm más allá del contramarco.



3) Determina la dirección de apertura

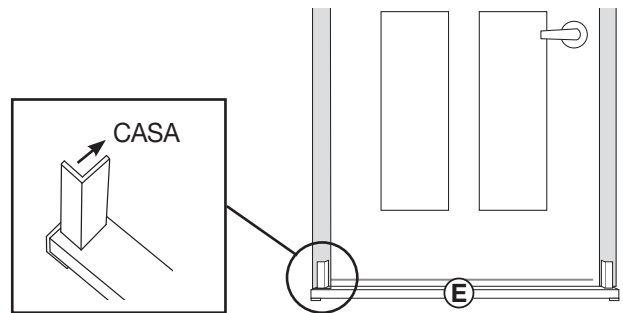


4 Instala la barra inferior si es necesario

Si **NO** cuentas con un espacio de 7 cm debajo de ambas jambas, debes instalar el ensamblaje de la barra inferior. Se pueden mover las jambas hacia arriba dentro de la entrada para dejar este espacio, siempre que la parte superior de las jambas no pase del borde superior de la superficie de montaje.

La barra inferior (**E**) debe instalarse de 3.2 a 6.4 mm por debajo de la entrada actual para dejar una inclinación con respecto al umbral. Esto permite drenar la humedad lejos de la puerta de entrada.

Centra la barra inferior en la abertura de la puerta. Asegúrate de que la abertura del soporte esté hacia la casa. Instala la barra inferior con dos tornillos negros de cabeza plana núm. 6 de 5/8" (**L**) tal como se muestra. Usa el taladro a un velocidad baja para no raspar la barra con las roscas.



5 Instala la jamba del lado de las bisagras

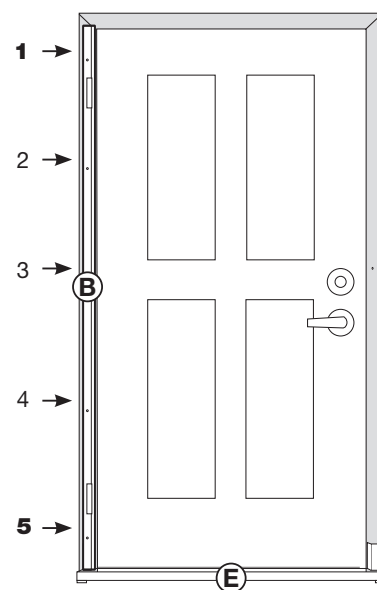
Nota: Como se indicó en el paso 4, debe quedar un espacio mínimo de 7 cm por debajo de la jamba del lado del cerrojo y en todo el ancho de la puerta para la barra inferior. Si el espacio a lo largo de toda la puerta es de 7 cm, **NO** necesitas instalar una barra inferior.

Coloca la **jamba del lado de las bisagras (B)** en su sitio sobre la barra inferior (**E**), comprueba si está a plomo y nivelada contra la superficie de montaje e instala dos tornillos para drywall núm. 6 de 2" (**K**) incluidos en los orificios **1 y 5** (ver el diagrama) y monta provisionalmente la jamba del lado de las bisagras (**B**).

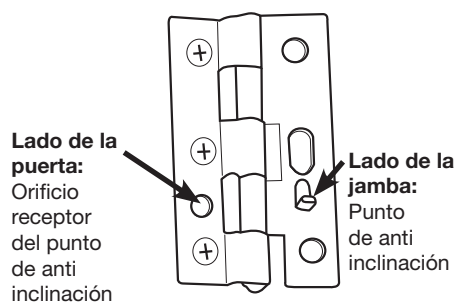
Estos tornillos se usan para mantener temporalmente la jamba a plomo.

NO instales los tornillos permanentes hasta que la puerta esté bien colocada y funcione adecuadamente.

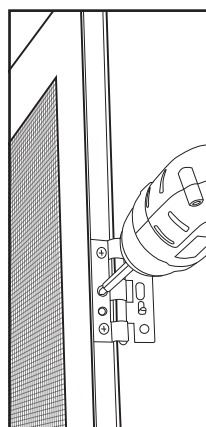
Para evitar cualquier interferencia con la manija de la puerta de entrada primaria, NO la muevas demasiado hacia un lado.



6 Fija las bisagras en la puerta y la jamba



Nota: El orificio receptor del punto de anti inclinación se alinea con el orificio pretaladrado en la puerta.



Coloca la bisagra (**H**) sobre los orificios pretaladrados en la puerta. La parte plana de la bisagra se fija a la puerta. La parte de la bisagra con los cilindros deben quedar siempre fuera de la puerta. Usa los tornillos incluidos con las bisagras y fija las 3 bisagras en la puerta.

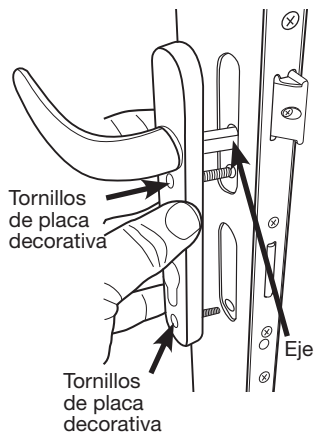


Have a helper hold the door in place. It is important the door is held in proper alignment so the first mounting screw in each hinge is driven straight into the door panel. It may help to use blocks or similar props to assist in keeping the door properly aligned. Attach all 3 hinges to door using screws that attached hinges to jamb.

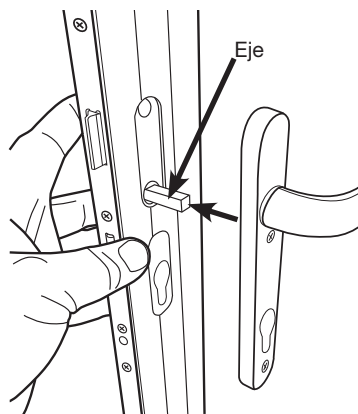
PRECAUCIÓN: NO coloques la puerta activa sobre su lado descansando sobre los cerrojos de la cerradura de 3 puntos.

7 Instala la manija y la cerradura

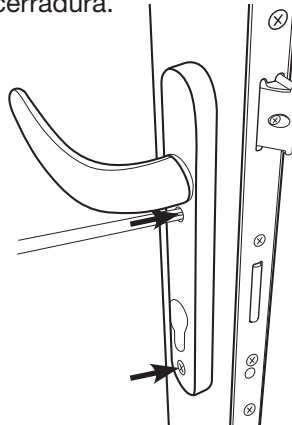
1) Comienza desde la parte **interior** de la puerta. Con la manija (**O**) de frente a la malla, inserta el eje y los tornillos de montaje a través del mecanismo de mortaja en el panel de la puerta.



2) En el **exterior** de la puerta con la manija hacia la malla, alinea las aberturas de la parte interior de la manija con el eje y los tornillos de montaje. Ubica la manija contra el marco de la puerta.



3) Mientras mantienes en su lugar ambas placas decorativas de la manija, aprieta los tornillos de montaje y luego afloja 2 vueltas. Estos tornillos te apretarán después de que se instale el cilindro de la cerradura.



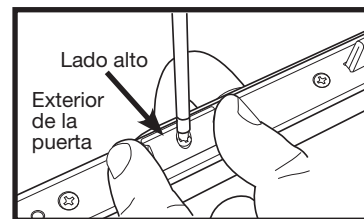
4) Desde la **parte interior** de la puerta, inserta el cilindro de la cerradura (**P**) en la puerta a través de la placa decorativa. Con un destornillador de cabeza Phillips, aprieta el tornillo de retención hasta que quede ajustado. **NO** aprietes demasiado. Aprieta los dos tornillos de montaje de la manija hasta que estén ajustados.



Para duplicar llaves o cambiar la combinación, el cilindro de cerradura incluido usa una entrada Kwikset®. Kwikset® es una marca comercial registrada de Newfry LLC.

8 Voltea el pestillo central (si es necesario)

En dependencia de la ubicación hacia a la derecha o la izquierda de la puerta activa, pudiera ser necesario voltear el pestillo. Con un destornillador Phillips pequeño afloja (no quites) el tornillo lo suficiente como para levantar el pestillo y girarlo hacia la derecha hasta la posición inversa. Presiona el pestillo nuevamente dentro de su ranura y sostenlo mientras aprietas el tornillo. **Nota:** el lado alto del pestillo debe quedar en el exterior de la puerta. Vuelve a apretar el tornillo.

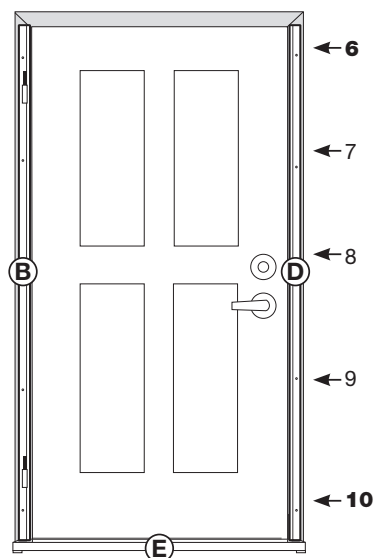


9 Instala la jamba del lado de la cerradura

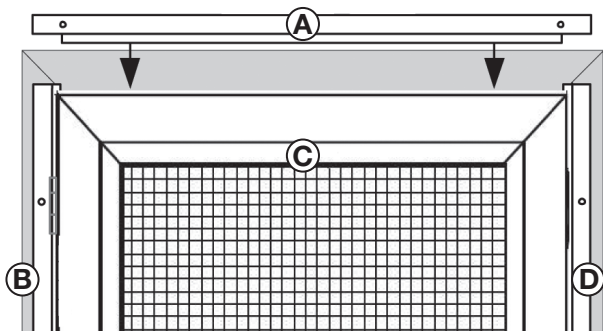
Coloca la **jamba del lado de la cerradura (D)** en su sitio sobre la barra inferior (**E**), comprueba si está a plomo y nivelada contra la superficie de montaje e instala dos tornillos para *drywall* núm. 6 de 2" (**K**) incluidos en los orificios **6 y 10** (ver el diagrama).

Estos tornillos se usan para mantener temporalmente la jamba a plomo.

NO instales los tornillos definitivamente hasta que la puerta esté bien colocada y funcione adecuadamente.



10 Instala la jamba del travesaño superior

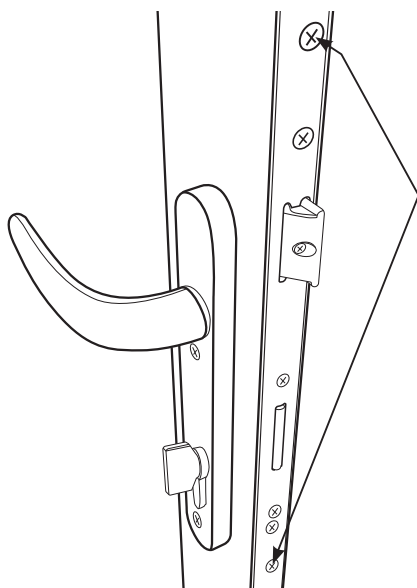


Coloca la **jamba del travesaño superior (A)** en su lugar, alíneala para que quede al ras en ambos extremos con cada jamba lateral. Coloca un tornillo para *drywall* núm. 6 de 2" (**K**) incluido en el orificio del lado de la cerradura (lado derecho en este diagrama de ejemplo) y monta provisionalmente la jamba del travesaño superior.

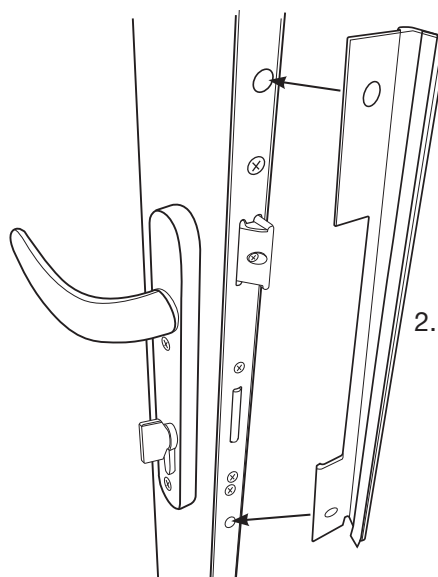
Estos tornillos se usan para mantener temporalmente la jamba a plomo.

NO instales los tornillos permanentes hasta que la puerta esté bien colocada y funcione adecuadamente.

11 Instala el protector del pestillo



1. Quita los tornillos superior e inferior del mecanismo de una pieza.



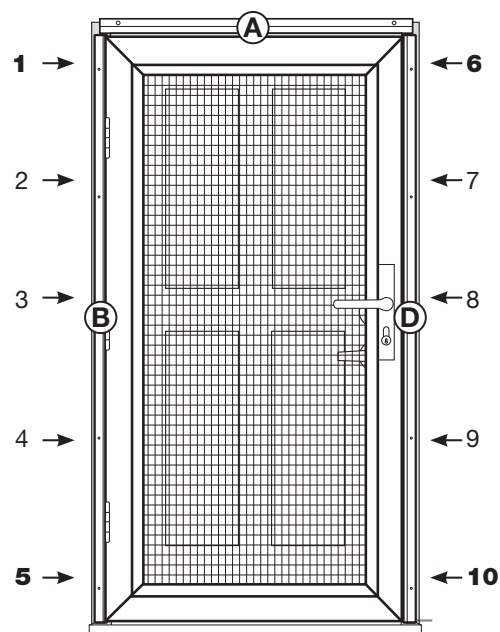
2. Fija el protector de pestillo (**I**) incluido en la caja de herrajes, insertando los tornillos de cabeza plana pintados núm. 8x1" (**M**) en los orificios pretaladrados.

12 Ajusta y alinea la puerta, e instala los tornillos permanentes

PRECAUCIÓN: La puerta debe estar lo suficientemente cerca de la jamba del lado de la cerradura (**D**) para acoplar al gatillo del sistema de cierre de 3 puntos. De lo contrario, los herrajes no funcionarán correctamente.

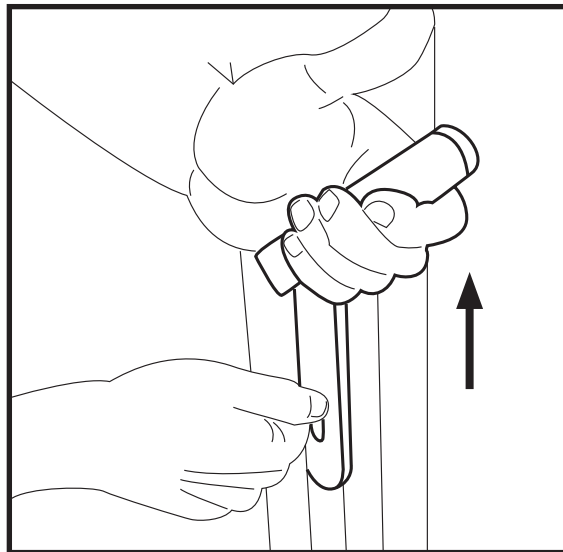
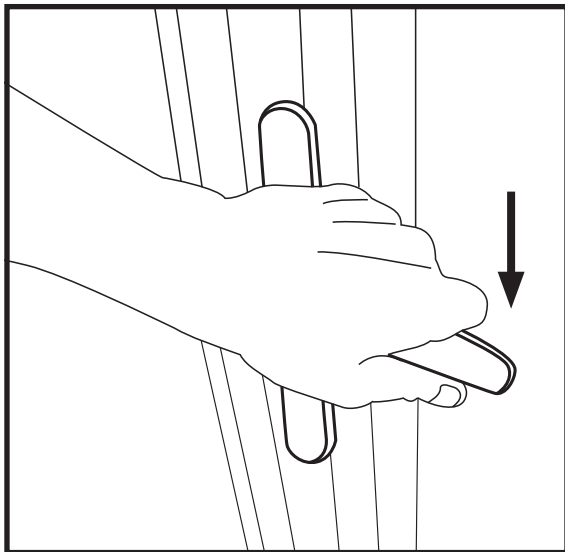
Una vez en su sitio, la puerta debe estar alineada en la parte superior e inferior de los lados de manera uniforme. Si se requiere ajustar, afloja (**SIN** quitar) el tornillo temporal superior de las jambas laterales y el tornillo temporal de la jamba superior (**A**). Usa un mazo de goma para dar unos golpecitos en las jambas laterales izquierda y derecha con vistas a alinear la puerta. **Comprueba si el gatillo del sistema de cierre está correctamente acoplado en la puerta y** enseguida vuelve a ajustar los tornillos temporales.

Pretaladra con una broca de taladro de 1/8" en los orificios restantes 2, 3, 4, 7, 8 y 9 de las jambas laterales y el orificio remanente de la jamba superior; enseguida instala los tornillos permanentes de cabeza plana núm. 10 de 2 1/2" (**J**). Quita los tornillos temporales uno a uno de los orificios 1, 5, 6, 10 y el superior, y reemplázalos por los tornillos permanentes de cabeza plana núm. 10 de 2 1/2" (**J**).

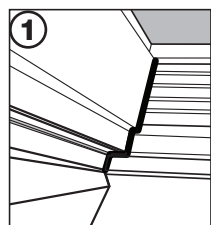


13 Verifica el mecanismo de cierre

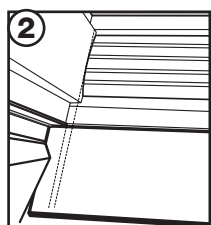
Verifica que el mecanismo de cierre abre, cierra y queda bien seguro. Para probarlo, hala hacia abajo la manija y abre la puerta. Hala hacia arriba la manija para enganchar el mecanismo de cierre de 3 puntos y enseguida gira el cerrojo tipo mariposa en el interior de la puerta hacia la derecha, o gira la llave hacia la izquierda para cerrar.



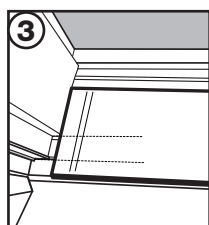
14 Instala la placa del umbral



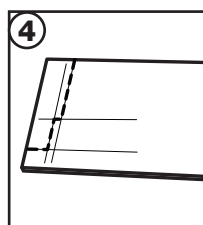
1 Contorno de la puerta actual



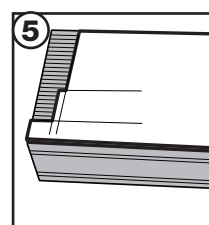
2 Hacer la plantilla de cartón



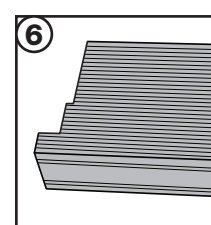
3 Ajustar la plantilla al contorno



4 Recortar la plantilla por el contorno



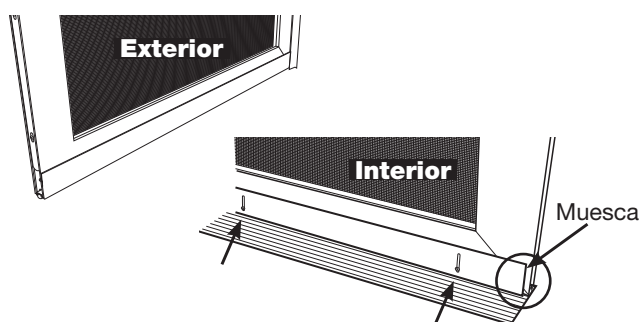
5 Marcar la placa de umbral



6 Cortar la placa de umbral a la medida

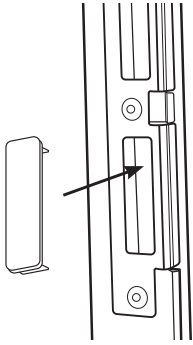
- 1 El contorno de los marcos de las puertas varía, por lo tanto es necesario cortar la placa de umbral (**G**) a la medida. Recomendamos recortar primero una plantilla de cartón a la medida de la abertura para evitar errores irreversibles al cortar la placa de umbral.
- 2 Coloca la plantilla de cartón (**Q**) arriba de la barra inferior y presiona para encajarla en el umbral actual hasta donde sea posible. Con una regla, marca en la plantilla los diferentes anchos de las molduras y contramarcos actuales en ambos extremos.
- 3 Mueve la plantilla hasta dejarla a ras con el borde frontal de la barra inferior (se puede doblar para ajustar al ancho más corto entre las molduras y contramarcos). Marca en las diferentes esquinas de las molduras y contramarcos actuales.
- 4 Con un cuchillo para cartón recorta la plantilla siguiendo el contorno y las marcas de las molduras y contramarcos. Prueba si la plantilla ajusta correctamente. (Debe quedar apoyada sobre la barra inferior con el borde frontal a ras con el de la barra inferior y ajustada a las esquinas de las molduras y contramarco actuales).
- 5 Después de crear la plantilla apropiada, úsala para marcar la placa de umbral.
- 6 Con tijeras de hojalatero/tijeras de aviación, corta la placa de umbral según la forma de la plantilla (**6**). Coloca la placa de umbral extendida a lo largo de la barra inferior y dentro del umbral existente. Fija la placa correspondiente al umbral con los tornillos de cabeza plana biselada negros núm. 6x5/8" (**L**).

15 Instala el guardapolvo inferior contra insectos



Abre la puerta. Desliza el guardapolvo contra insectos de varias aletas (**F**) en la sección inferior de la puerta. Sostén el guardapolvo en su sitio y cierra la puerta. Deja que el guardapolvo caiga y descance sobre la placa de umbral (**G**). **Nota:** Verifica que no quede ningún espacio entre el guardapolvo y la placa de umbral, y que el guardapolvo quede centrado en la sección inferior de la puerta. Con dos tornillos de cabeza plana biselada pintados núm. 6x5/8" (**L**), fija el guardapolvo a la sección inferior de la puerta en el interior. Comprueba si la puerta cierra y abre sin dificultad. De no ser así, afloja los tornillos y haz los ajustes necesarios. Vuelve a ajustar los tornillos y prueba de nuevo. Repite hasta lograrlo.

16 Instala el tapón del pestillo



Instala el tapón del pestillo (**N**) en la ranura inferior sin usar.

17 Instala las cubiertas a presión

Coloca la cubierta a presión (**A1**) en la primera jamba del lado de las bisagras (**Fig. 1, paso 1**). Con un mazo de goma, golpea en el lado de la cubierta a presión como se muestra en la (**Fig. 2**) para colocar adecuadamente la cubierta a presión en su sitio. Una vez que la cubierta a presión esté asegurada, coloca un bloque de madera sobre el largo de la cubierta a presión y golpea con el mazo para emparejar cualquier irregularidad de la superficie de la cubierta a presión.

Repeat process for the hinge-side (**B1**) and lock-side (**D1**) snap covers.

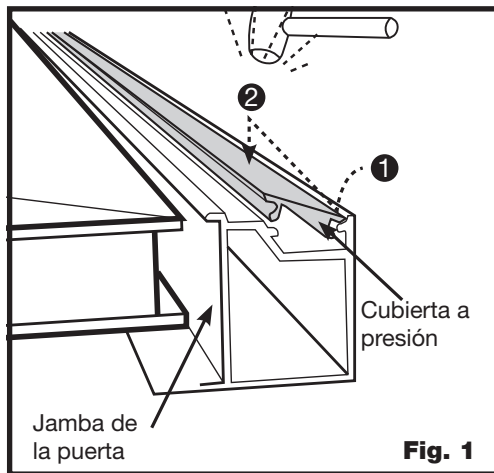


Fig. 1

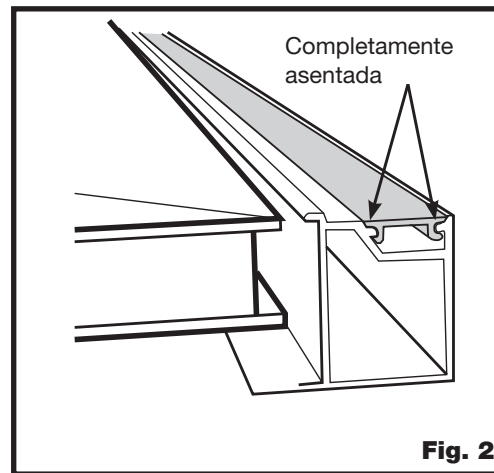
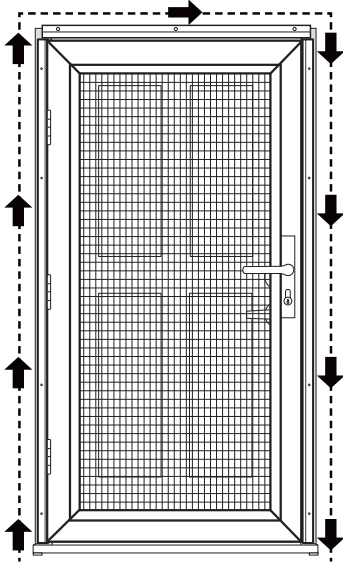


Fig. 2

Sugerencias de retoques finales



① **Pasta selladora (no se incluye)**
 Aplica pasta selladora para pintar en el exterior del marco de la jamba de la puerta de seguridad y pinta del color deseado.

② **Lubricante de grasa blanca (no se incluye)**
 Cada seis meses, lubrica con grasa blanca las bisagras de la puerta de seguridad nueva.

Cuidado y mantenimiento

Con el transcurso del tiempo, en la malla pueden acumularse suciedad, impurezas y polvo proveniente del aire, lo que provocará defectos visibles en la malla Meshtec si no se elimina adecuadamente de manera regular, y puede causar más daños, manchas y corrosión. Tu programa de limpieza depende de tu ambiente:

AMBIENTE	DESCRIPCIÓN	PROGRAMA DE LIMPIEZA
Suave	Tierra adentro, rural, y lejos de la actividad urbana e industrial	cada 6 meses
Moderado	Urbano, suburbano, tierra adentro, y lejos de la industria pesada	cada 3 meses
Extremo	Urbano/suburbano, costero (dentro de 25 millas), o cerca de la industria pesada	cada 2 a 4 semanas

Lava bien la malla y el marco de la puerta con un paño suave, un jabón suave y agua. No expongas las manijas, la cerradura principal y las cerraduras de 3 puntos a cantidades excesivas de agua. Al concluir, elimina el exceso de agua con un paño seco y suave. Presta particular atención al secado del área de unión entre la malla y el marco. Evita usar objetos afilados o materiales abrasivos en el marco de la puerta o en la malla. Utilizar grasa blanca para lubricar las bisagras en cada limpieza.

Garantía

Se garantiza que su puerta de seguridad con sistema avanzado de malla Meshtec de Unique Home Designs no presentará defectos de fabricación bajo condiciones de uso normal y residencial durante los primeros 10 años en que usted sea propietario de este producto, y concluye si usted vende o transfiere el producto o la propiedad en la cual se instaló. Se otorga una garantía de protección adicional por 5 años (para un total de 15 años de garantía) cuando el producto se registra por internet en uniquehd.com/registration. El guardapolvo contra insectos, el burlete y los materiales compuestos, y hardware incluidos con o instalados en la puerta de seguridad están cubiertos durante un año a partir de la fecha de compra. Los accesorios ajustados a la puerta de seguridad no están cubiertos por esta garantía, incluyendo, pero no limitado a, las cerraduras, manijas, ruedas y brazos de cierre. Estos accesorios pueden estar cubiertos por garantías suministradas por el fabricante o el proveedor de los productos. La garantía no cubre ningún problema causado por abuso, uso inapropiado, causas de fuerza mayor, instalación indebida, por no seguir las instrucciones de mantenimiento y cuidado, o por ajustes debido al asentamiento de la estructura en la que está instalado el producto. Cortar piezas no especificadas por la guía de instalación o las piezas con fallas de perforación no están incluidas en esta garantía. Si aparecen defectos de fabricación, Unique Home Designs, a discreción, reparará o reemplazará la puerta. Si, mientras está garantía está vigente, roban en su hogar mediante entrada forzosa y logran entrar a través de una puerta de seguridad de UHD, cerrada con el sistema de cierre de 3 puntos, UHD le pagará hasta \$1000 de deducible de su seguro o reemplazará, según sea el caso, la puerta de seguridad de UHD dañada sin costo alguno. El estilo de los repuestos puede variar debido a cambios de proveedores y productos. No todos los colores pueden estar disponibles si se han descontinuado. UHD no se responsabiliza por cualquier costo de mano de obra que se necesite para reparar o reemplazar la puerta. UHD no se responsabiliza por asegurar la propiedad mientras los artículos bajo la garantía estén siendo reparados o reemplazados.

Para efectuar una reclamación bajo esta garantía, envíe por escrito una descripción breve del problema, una foto de la reclamación, comprobante de compra y su información de contacto a: Unique Home Designs, 973 N. Colorado Street, Gilbert AZ. 85233 Atención: Reclamaciones de garantía

“Meshtec” es la marca registrada de Meshtec International Co., Ltd. (‘MTC’) en los Estados Unidos y varias jurisdicciones en todo el mundo (incluyendo inscripciones pendientes) y no puede usarse sin el consentimiento previo por escrito de MTC.

¡Alarga tu garantía!

Cuando te registras por internet en uniquehd.com/registration