

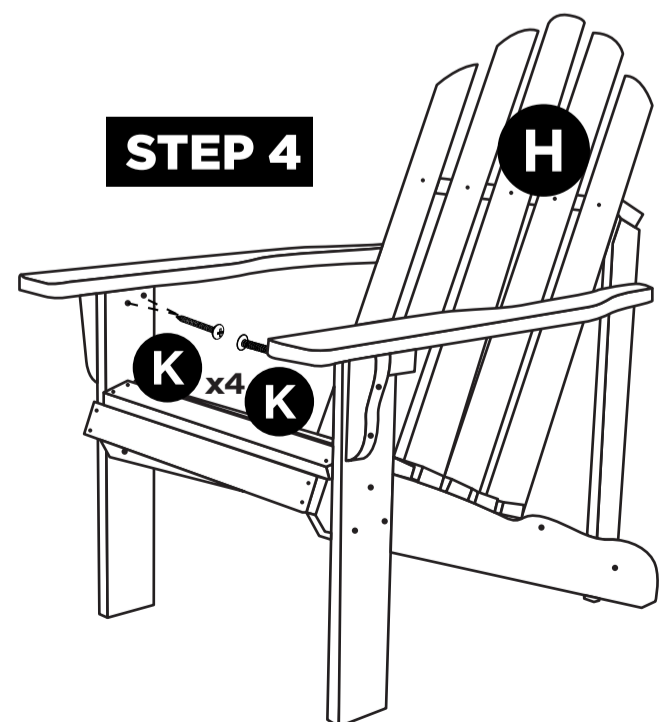
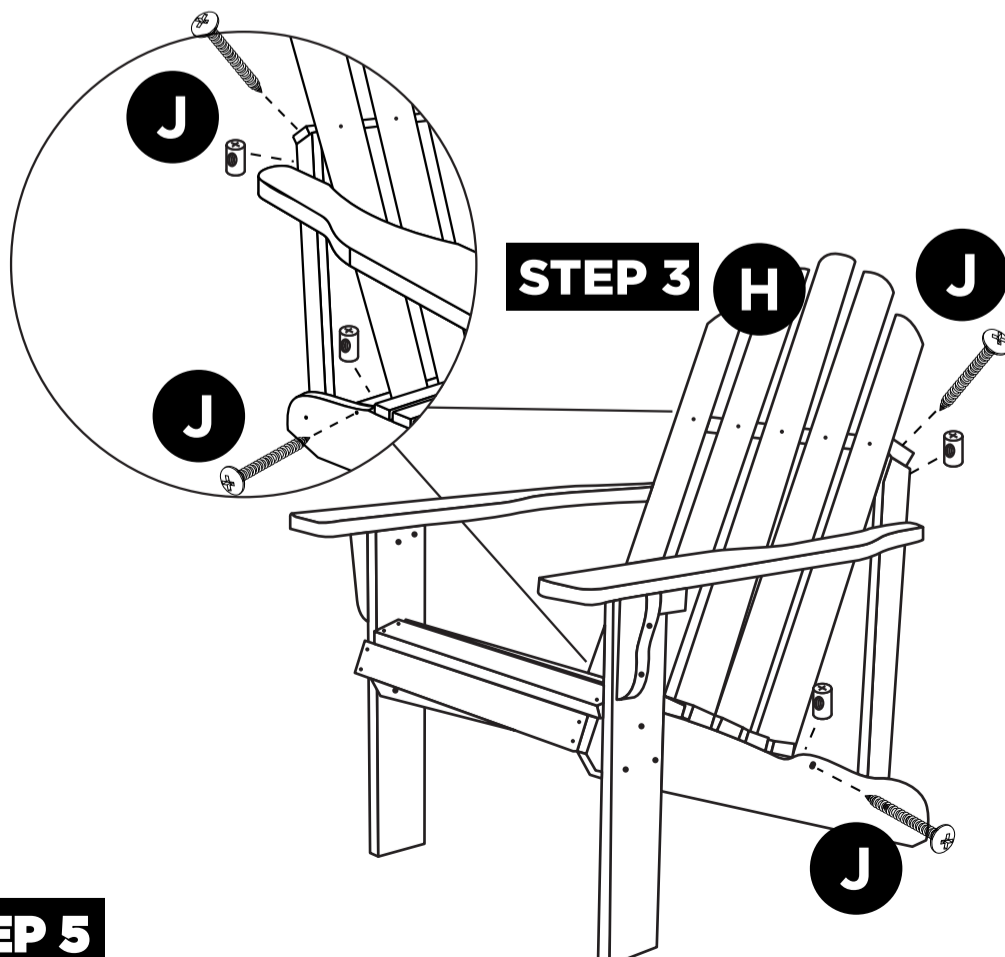
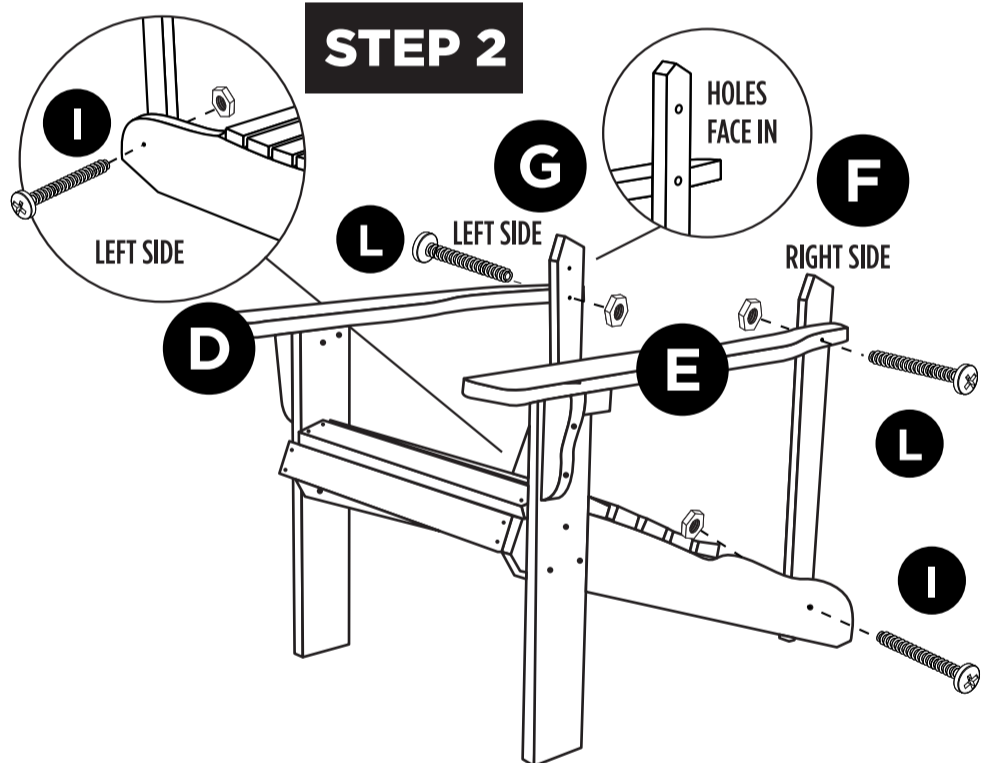
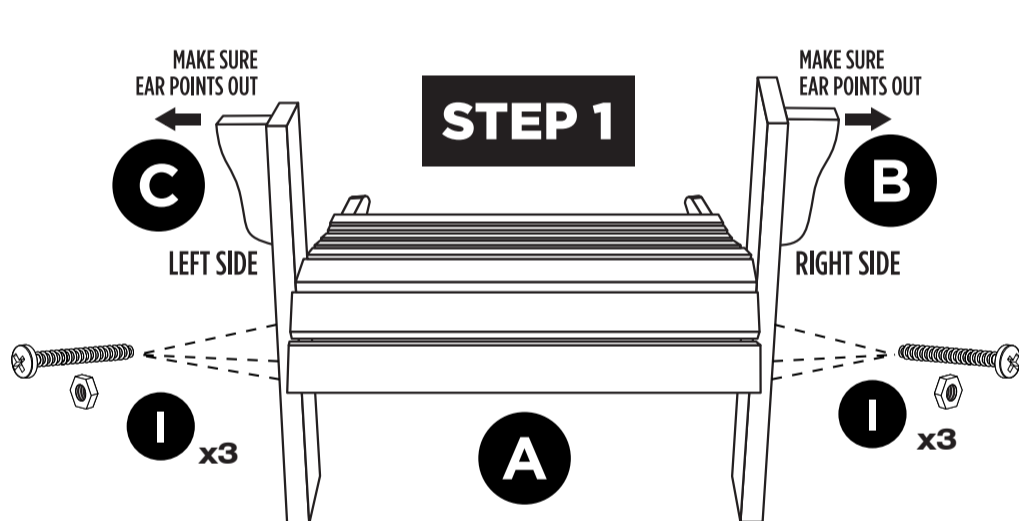
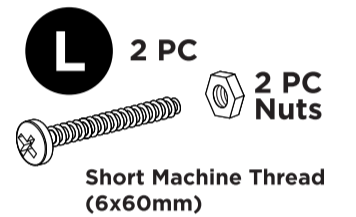
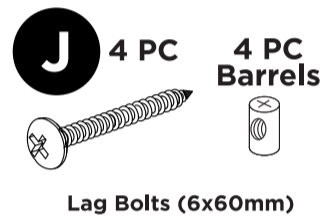
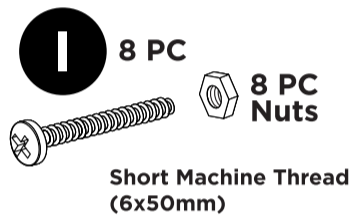
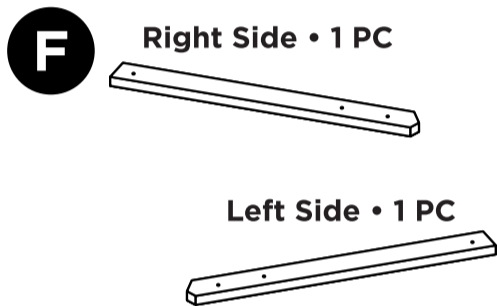
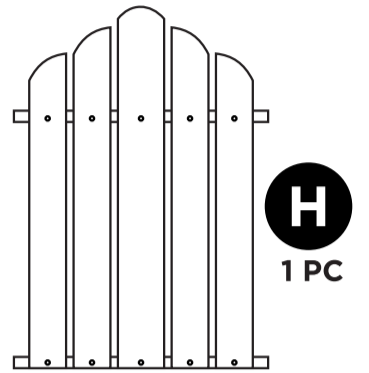
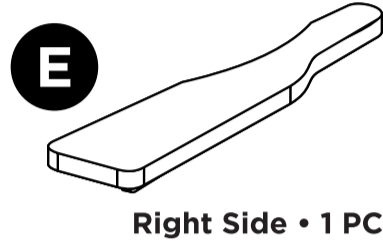
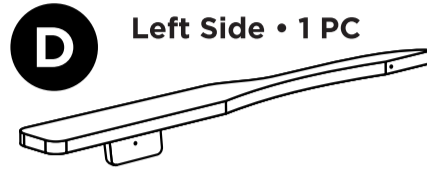
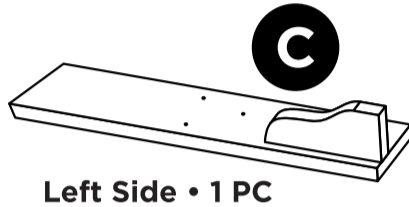
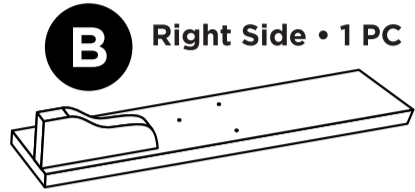
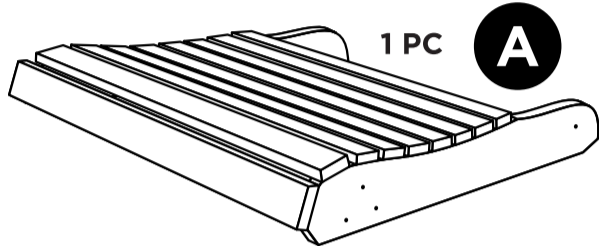
ASSEMBLY INSTRUCTIONS

TOOLS NEEDED: Philips screwdriver, power drill optional

CAUTION: When assembling chair, **DO NOT** completely tighten the bolts and nuts until all the parts & holes are properly aligned.

PARTS LIST

IMPORTANT: All Left & Right Side directions are from the perspective of looking at the front of the chair.



STEP 5

TIGHTEN ALL NUTS AND BOLTS WHEN YOU ARE COMPLETELY DONE ASSEMBLING THE CHAIR.