

# NuTone®

## READ AND SAVE THESE INSTRUCTIONS

Installer: leave this guide with homeowner.

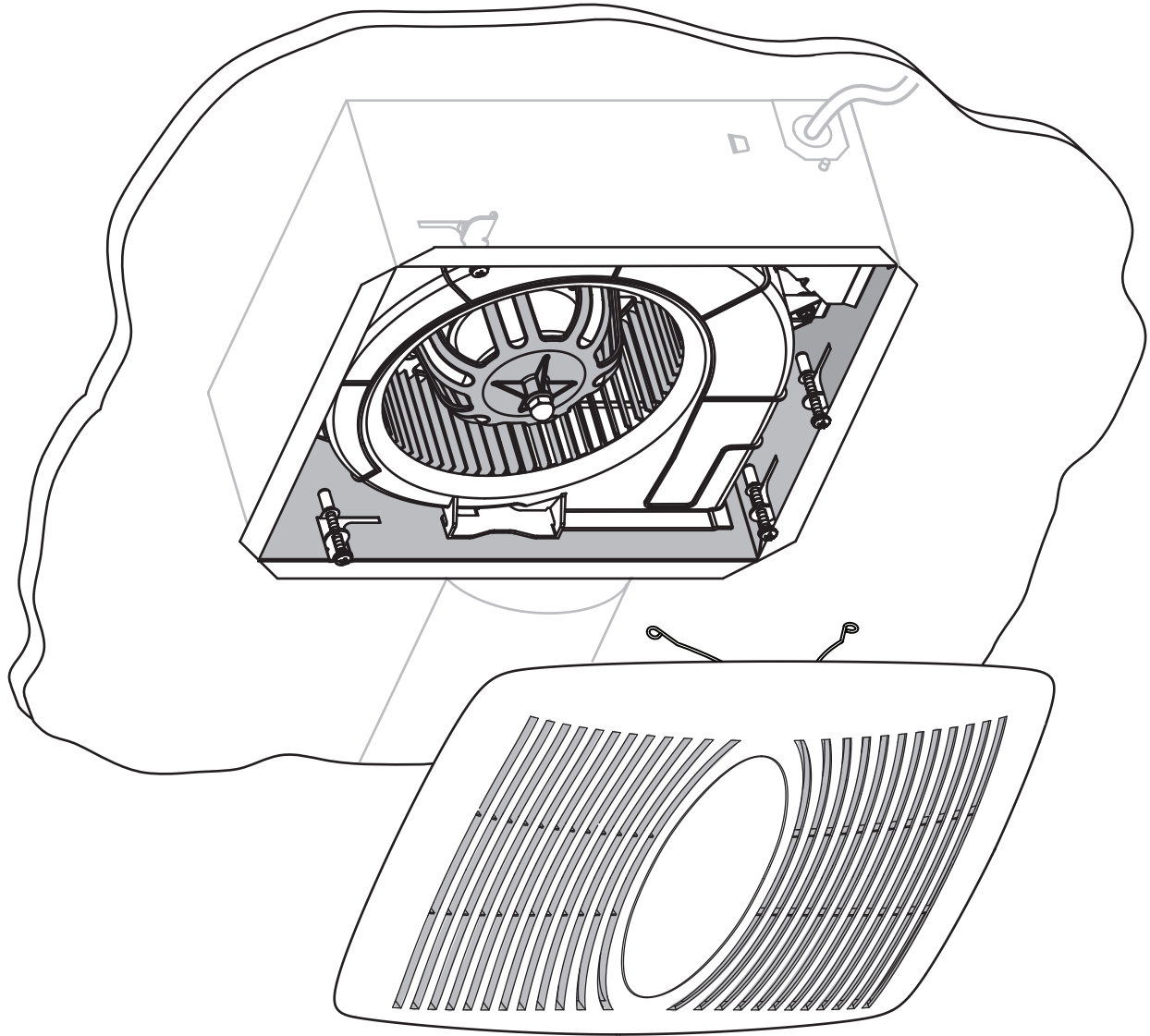
Register your product online at [www.nutone.com/register](http://www.nutone.com/register).

## EZ80N

EZ Fit

Ventilation Fan

## INSTALLATION GUIDE



## Easy installation

### Table of Contents

Warnings and Cautions	2
Operation	2
Cleaning and Maintenance	2
Troubleshooting	2
Typical Installation	2
Installation - Replace an Existing Fan	3-7
Installation in New Construction	7
Service Parts	8
Warranty	8

## WARNING

**TO REDUCE THE RISK OF FIRE, ELECTRIC SHOCK, OR INJURY TO PERSONS, OBSERVE THE FOLLOWING:**

1. Use this unit only in the manner intended by the manufacturer. If you have questions, contact the manufacturer at the address or telephone number listed in the warranty.
2. Before servicing or cleaning unit, switch power off at service panel and lock the service disconnecting means to prevent power from being switched on accidentally. When the service disconnecting means cannot be locked, securely fasten a prominent warning device, such as a tag, to the service panel.
3. Installation work and electrical wiring must be done by a qualified person(s) in accordance with all applicable codes and standards, including fire-rated construction codes and standards.
4. Sufficient air is needed for proper combustion and exhausting of gases through the flue (chimney) of fuel burning equipment to prevent backdrafting. Follow the heating equipment manufacturer's guideline and safety standards such as those published by the National Fire Protection Association (NFPA), and the American Society for Heating, Refrigeration and Air Conditioning Engineers (ASHRAE), and the local code authorities.
5. When cutting or drilling into a ceiling, do not damage electrical wiring and other hidden utilities.
6. Ducted fans must always be vented to the outdoors.
7. Acceptable for use over a tub or shower (in the ceiling only) when connected to a GFCI (Ground Fault Circuit Interrupter) - protected branch circuit.
8. This unit must be grounded.

## CAUTION

1. For general ventilating use only. Do not use to exhaust hazardous or explosive materials and vapors.
2. DO NOT install this unit onto an acoustic ceiling panel.
3. When installed in a sloped ceiling, the duct connector must point up.
4. To avoid motor bearing damage and noisy and/or unbalanced impellers, keep drywall spray, construction dust, etc. off power unit.
5. Please read specification label on product for further information and requirements.



## Operation

### To Operate Fan

Use an ON/OFF switch or speed control to operate this ventilator.

**WARNING ** Before servicing or cleaning unit, switch power off at service panel and lock the service disconnecting means to prevent power from being switched on accidentally. When the service disconnecting means cannot be locked, securely fasten a prominent warning device, such as a tag, to the service panel.

## Cleaning and Maintenance

### To Clean

For quiet and efficient operation, long life and attractive appearance, remove Grille and vacuum interior of unit with a dusting brush attachment.

The Motor is permanently lubricated and never needs oiling. If the motor bearings are making excessive or unusual noises, replace the Motor.

## Troubleshooting

### Symptom: The fan does not run.

- Check for an open fuse or circuit breaker in the building's service panel.
- Check that the plug-in connection for the Motor is seated firmly in place.
- Check that the Blower Wheel spins freely.

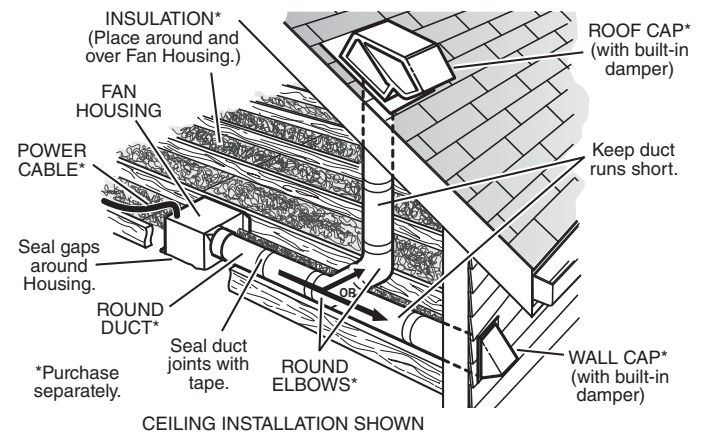
### Symptom: The fan runs erratically.

- Check that the Blower Wheel is firmly attached to the Motor shaft and both spin freely.

### Symptom: The fan seems noisy.

- Check that the back draft damper in the fan's Duct Connector pivots freely. Screws used to attach the ducting to the Duct Connector may be preventing the damper from opening.
- Check that the back draft damper in the wall or roof cap pivots freely. These dampers are sometimes mistakenly painted shut or obstructed by bird and insect debris.

## Typical Installation



The ducting from this fan to the outside of the building has a strong effect on the air flow, noise and energy use of the fan. Use the shortest, straightest duct routing possible for best performance, and avoid installing the fan with smaller ducts than recommended. Insulation around the ducts can reduce energy loss and inhibit mold growth. Fans installed with existing ducts may not achieve their rated airflow.

4-inch round rigid metal duct is recommended for best performance.

## Installation - Replace an Existing Fan

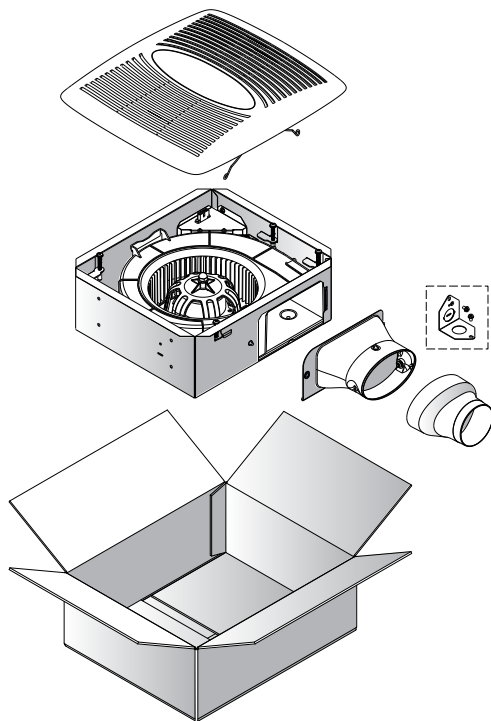
### Tools needed

- Phillips screwdriver (recommended)
- Hammer
- Safety glasses
- Pencil
- Tape Measure
- Drywall saw

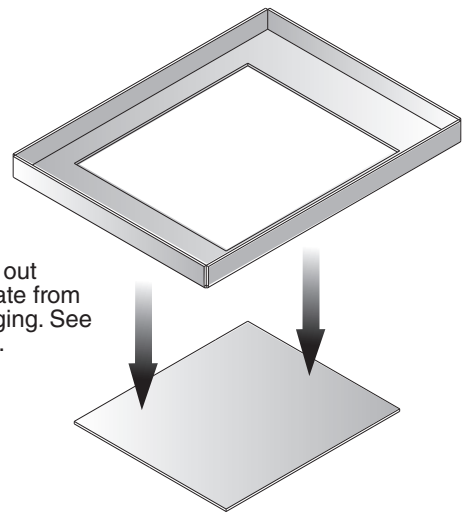
### Materials needed

- 4" round metal ducting recommended for best performance. Use of other ducting is acceptable but may impact performance.
- Roof cap or wall cap (built-in damper recommended)
- Tape to seal duct connections
- Drywall screws, sheet metal screws (optional)
- Electrical wiring and supplies per local code requirements

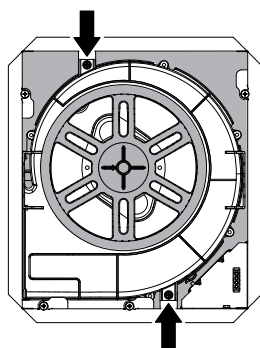
## 1 Remove from Packaging



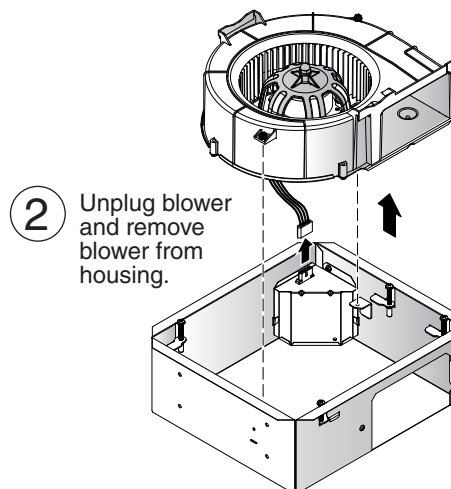
Punch out  
Template from  
packaging. See  
Step 3.



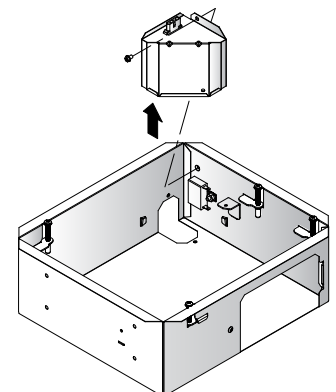
## 2 Prepare the Housing



1 Loosen 2 blower screws.



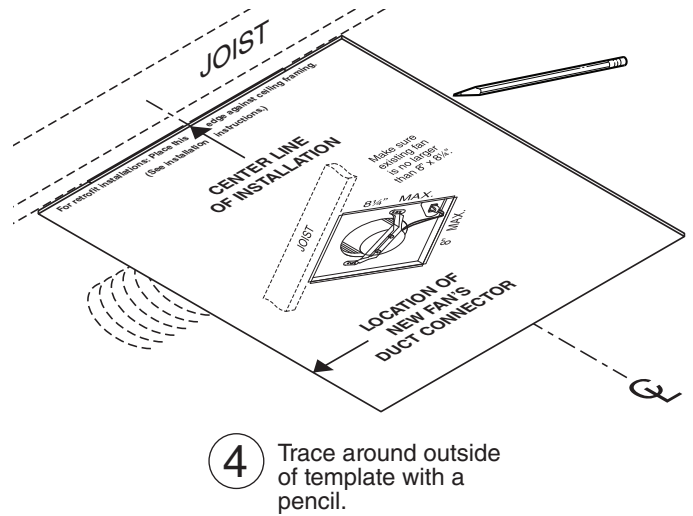
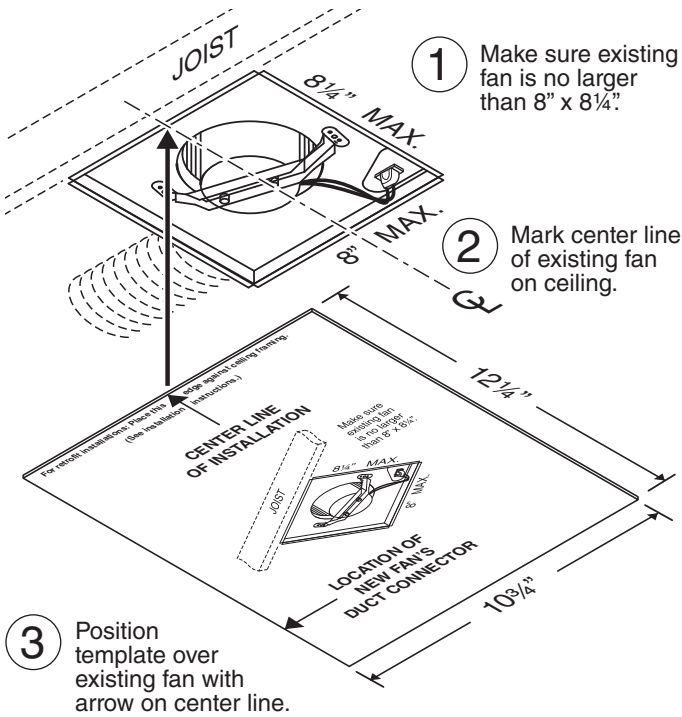
2 Unplug blower and remove blower from housing.



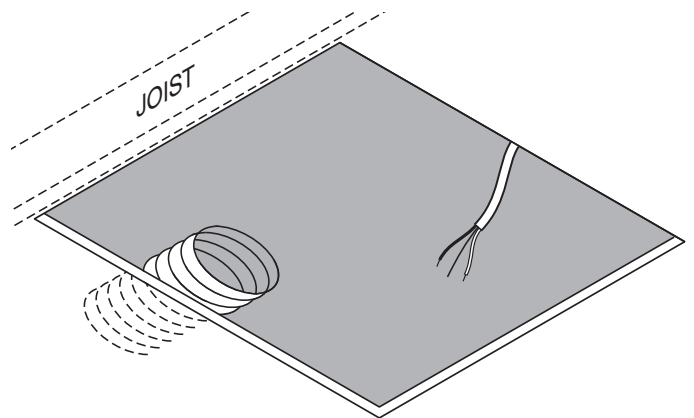
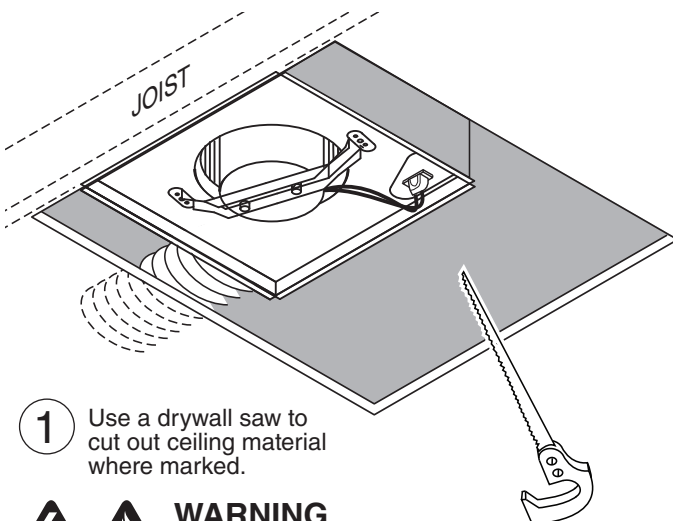
3 Remove wiring cover.

## Installation - Replace an Existing Fan

### 3 Mark Ceiling Using Template



### 4 Cut Ceiling Opening & Remove Old Fan

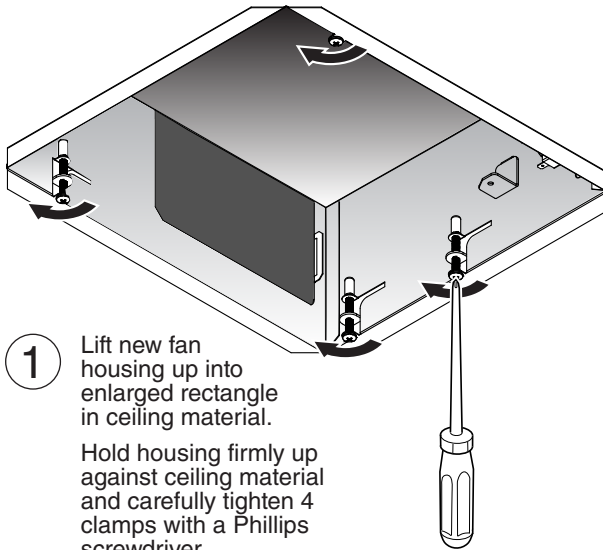


**WARNING**

Be careful to avoid cutting through electrical wiring or ductwork.

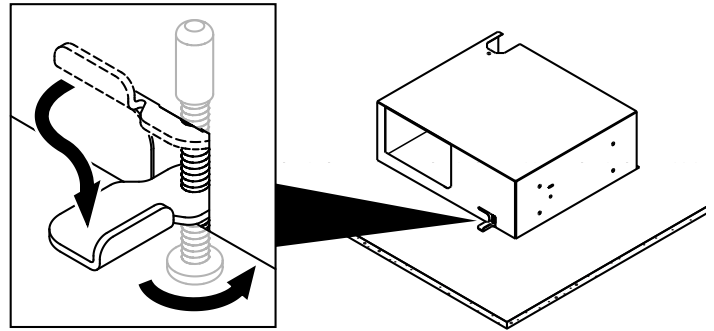
## Installation - Replace an Existing Fan

### 5 Install New Housing



- 1 Lift new fan housing up into enlarged rectangle in ceiling material.

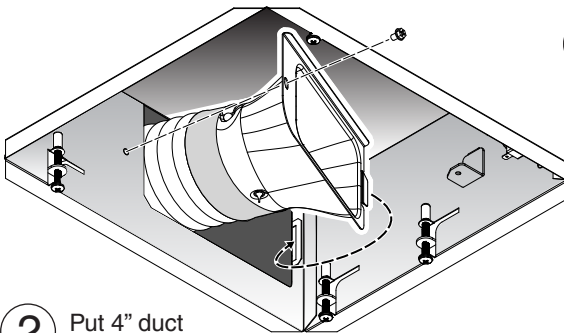
Hold housing firmly up against ceiling material and carefully tighten 4 clamps with a Phillips screwdriver.



- 2 When turned clockwise (with a Phillips screwdriver), clamps will spin outward from housing and move downward on top of ceiling material to properly secure housing in place. Minimum ceiling thickness to be 1/2".

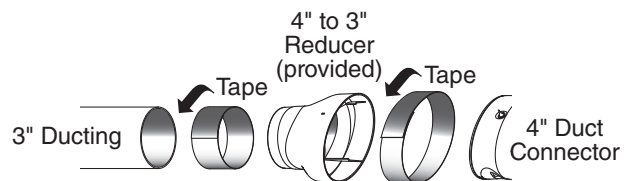
**NOTE: Do not overtighten clamps with a power driver. Ceiling material may become deformed and prevent proper installation.**

### 6 Connect Ductwork



- 2 Put 4" duct connector into opening and fasten to housing with tab and screw provided.

- 1 Adjust 4" ductwork into housing and use duct tape to attach it to 4" duct connector. Rigid duct may have to be cut to fit prior to housing installation. For 3" ductwork, use the 4" to 3" reducer (provided). See below.



# Installation - Replace an Existing Fan

## 7 Connect Electrical Wiring

**WARNING**  

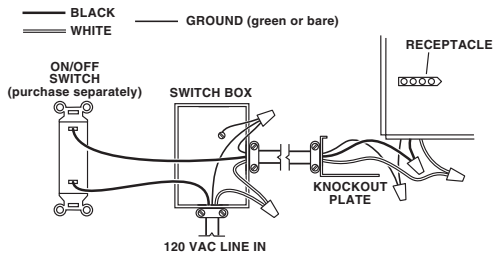
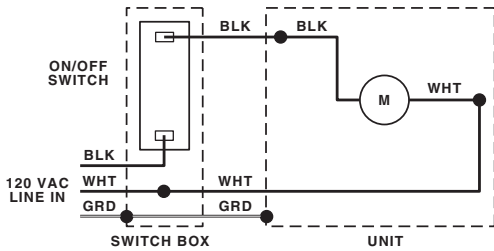
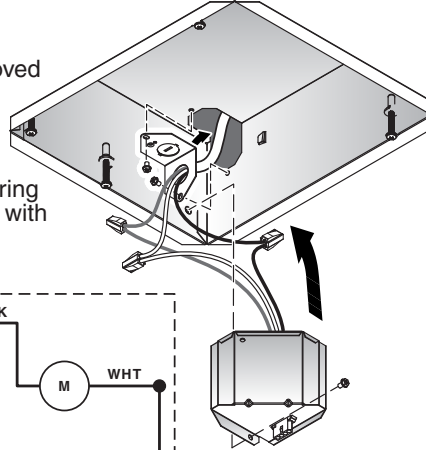
**TO REDUCE THE RISK OF FIRE, ELECTRIC SHOCK, OR INJURY TO PERSONS, OBSERVE THE FOLLOWING:**

If unfamiliar with electrical wiring, secure the services of a qualified person to connect wiring according to all applicable codes and standards.

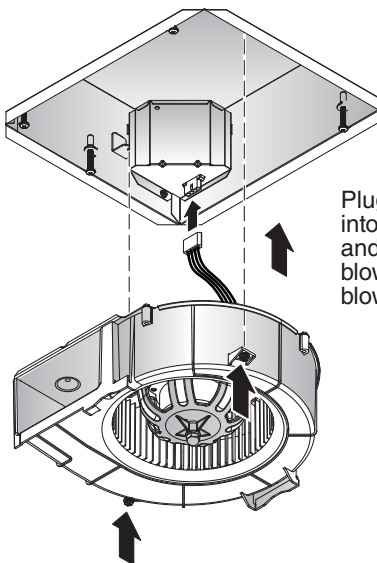
Connect house wiring to wiring plate with UL approved connector.

Connect wiring as shown in diagrams.

Attach wiring plate and wiring cover to inside of housing with screws provided.

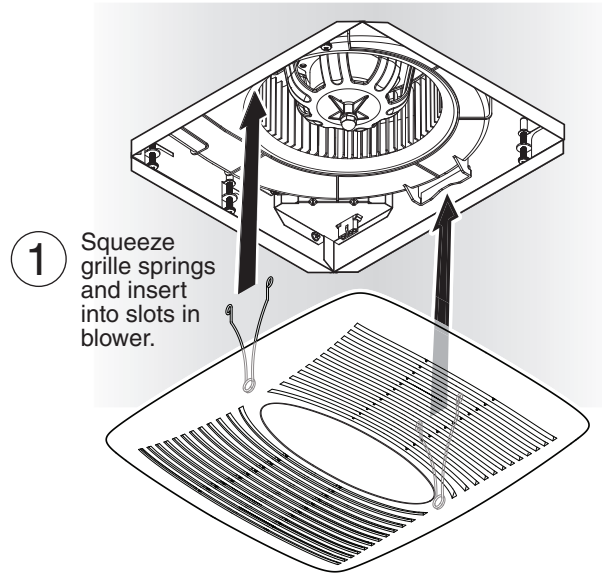


## 8 Replace Blower

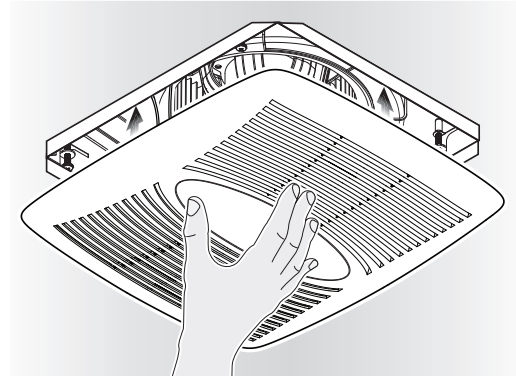


Plug blower into receptacle and re-install blower. Tighten blower screws.

## 9 Install Grille



1 Squeeze grille springs and insert into slots in blower.



2 Push grille up against ceiling.



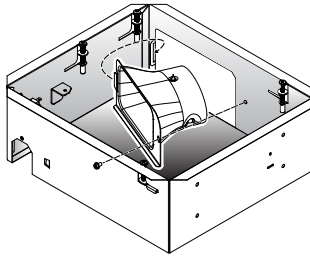
# Installation in New Construction

**1** Remove from Packaging (See Page 3)

**2** Prepare the Housing (See Page 3)

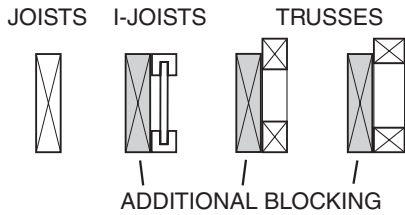
**3** Install Fan Housing & Connect Ductwork

**1** Push 4" duct connector into opening and fasten to housing with tab and screw provided.



**2** In new construction (before ceiling is finished):

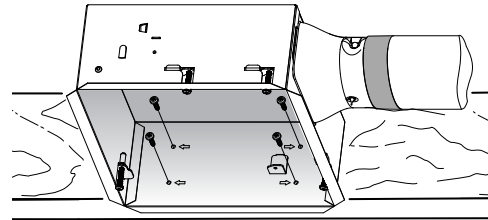
Attach housing to 2" x 6" or greater ceiling joists. Use additional blocking as needed.



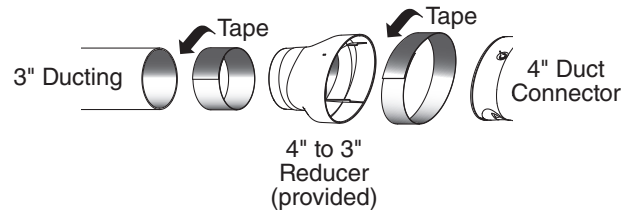
**3** Position fan against ceiling framing with bottom edge of housing flush with finished ceiling.

Use 4 screws to attach housing to framing.

**Optional for additional support:** After ceiling is finished, rotate the tightening clamps as described in Step 5.



**4** Use duct tape to connect 4" ductwork to 4" duct connector. For 3" ductwork, use the 4" to 3" reducer (provided). See below.

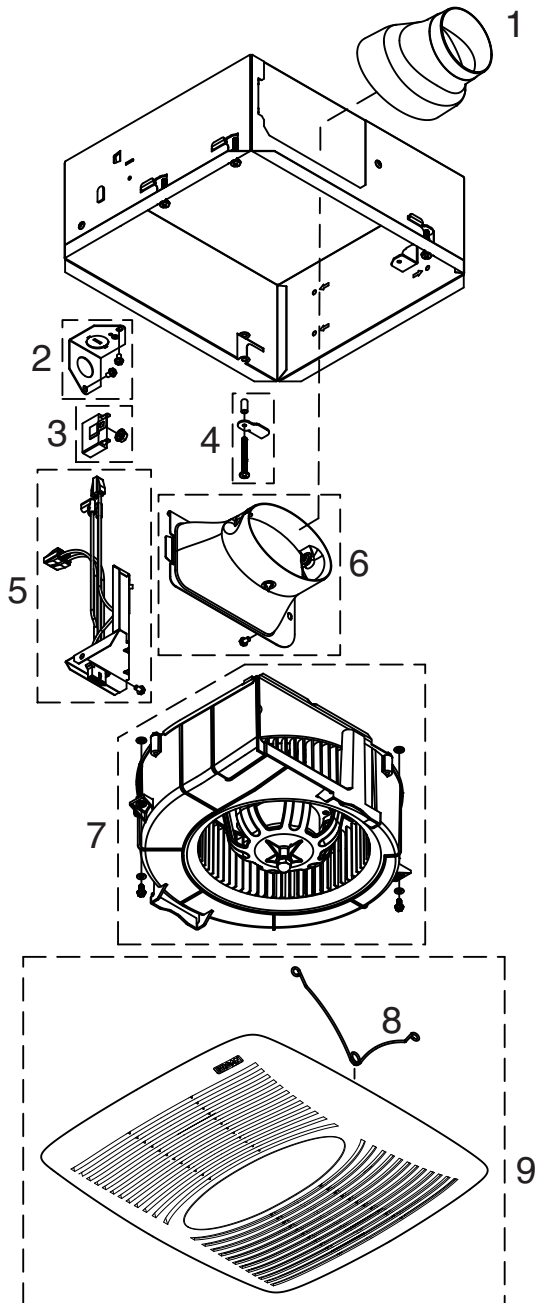


**4** See "Connect Electrical Wiring" on Page 6.

**5** See "Replace Blower" on Page 6.

**6** See "Install Grille" on Page 6.

## Service Parts



Key No.	Part No.	Description
1	79110158	4" to 3" Reducer
2	97019326	Wiring Plate
3	77001297	Capacitor
4	77001447	Tightening Clamps (includes 4 screws & clamps)
5	97019006	Wire Cover Assembly
6	77001277	Duct Connector Assembly
7	97020042	Blower Assembly
8	79140014	Grille Spring (2 included)
9	97019525	Grille Assembly (includes 2 grille springs)

Order replacement parts by Part No., not by Key No.

## Warranty

### Limited Warranty

**Warranty Period and Exclusions:** Broan-NuTone LLC (the "Company") warrants to the original consumer purchaser of its product ("you") that the product (the "Product") will be free from material defects in the Product or its workmanship for a period of one (1) year from the date of original purchase.

The limited warranty period for any replacement parts provided by the Company and for any Products repaired or replaced under this limited warranty shall be the remainder of the original warranty period.

This warranty does not cover speed controls, fluorescent lamp starters, tubes, halogen and incandescent bulbs, fuses, filters, ducts, roof caps, wall caps and other accessories for ducting that may be purchased separately and installed with the Product. This warranty also does not cover (a) normal maintenance and service, (b) normal wear and tear, (c) any Products or parts which have been subject to misuse, abuse, abnormal usage, negligence, accident, improper or insufficient maintenance, storage or repair (other than repair by the Company), (d) damage caused by faulty installation, or installation or use contrary to recommendations or instructions, (e) any Product that has been moved from its original point of installation, (f) damage caused by environmental or natural elements, (g) damage in transit, (h) natural wear of finish, (i) Products in commercial or nonresidential use, or (j) damage caused by fire, flood or other act of God. This warranty covers only Products sold to original consumers in the United States by the Company or U.S. distributors authorized by the Company.

This warranty supersedes all prior warranties and is not transferable from the original consumer purchaser.

**No Other Warranties:** This Limited Warranty contains the Company's sole obligation and your sole remedy for defective products. The foregoing warranties are exclusive and in lieu of any other warranties, express or implied. **THE COMPANY DISCLAIMS AND EXCLUDES ALL OTHER EXPRESS WARRANTIES, AND DISCLAIMS AND EXCLUDES ALL WARRANTIES IMPLIED BY LAW, INCLUDING WITHOUT LIMITATION THOSE OF MERCHANTABILITY AND FITNESS FOR A PARTICULAR PURPOSE.**

To the extent that applicable law prohibits the exclusion of implied warranties, the duration of any applicable implied warranty is limited to the period specified for the express warranty above. Some states do not allow limitations on how long an implied warranty lasts, so the above limitation may not apply to you. Any oral or written description of the Product is for the sole purpose of identifying it and shall not be construed as an express warranty.

Whenever possible, each provision of this Limited Warranty shall be interpreted in such manner as to be effective and valid under applicable law, but if any provision is held to be prohibited or invalid, such provision shall be ineffective only to the extent of such prohibition or invalidity, without invalidating the remainder of such provision or the other remaining provisions of the Limited Warranty.

**Remedy:** During the applicable limited warranty period, the Company will, at its option, provide replacement parts for, or repair or replace, without charge, any Product or part thereof, to the extent the Company finds it to be covered by and in breach of this limited warranty under normal use and service. The Company will ship the repaired or replaced Product or replacement parts to you at no charge. You are responsible for all costs for removal, reinstallation and shipping, insurance or other freight charges incurred in the shipment of the Product or part to the Company. If you must send the Product or part to the Company, as instructed by the Company, you must properly pack the Product or part—the Company is not responsible for damage in transit. The Company reserves the right to utilize reconditioned, refurbished, repaired or remanufactured Products or parts in the warranty repair or replacement process. Such Products and parts will be comparable in function and performance to an original Product or part and warranted for the remainder of the original warranty period.

**Exclusion of Damages:** **THE COMPANY'S OBLIGATION TO PROVIDE REPLACEMENT PARTS, OR REPAIR OR REPLACE, AT THE COMPANY'S OPTION, SHALL BE YOUR SOLE AND EXCLUSIVE REMEDY UNDER THIS LIMITED WARRANTY AND THE COMPANY'S SOLE AND EXCLUSIVE OBLIGATION. THE COMPANY SHALL NOT BE LIABLE FOR INCIDENTAL, INDIRECT, CONSEQUENTIAL OR SPECIAL DAMAGES ARISING OUT OF OR IN CONNECTION WITH THE PRODUCT, ITS USE OR PERFORMANCE.**

Some states do not allow the exclusion or limitation of incidental or consequential damages, so the above limitation or exclusion may not apply to you. This warranty gives you specific legal rights, and you may also have other rights, which vary from state to state.

This warranty covers only replacement or repair of defective Products or parts thereof at the Company's main facility and does not include the cost of field service travel and living expenses.

Any assistance the Company provides to or procures for you outside the terms, limitations or exclusions of this limited warranty will not constitute a waiver of such terms, limitations or exclusions, nor will such assistance extend or revive the warranty.

The Company will not reimburse you for any expenses incurred by you in repairing or replacing any defective Product, except for those incurred with the Company's prior written permission.

**How to Obtain Warranty Service:** To qualify for warranty service, you must (a) notify the Company at the address or telephone number stated below within seven (7) days of discovering the covered defect, (b) give the model number and part identification and (c) describe the nature of any defect in the Product or part. At the time of requesting warranty service, you must present evidence of the original purchase date. If you cannot provide a copy of the original written limited warranty, then the terms of the Company's most current written limited warranty for your particular product will control. The most current limited written warranties for the Company's products can be found at [www.nutone.com](http://www.nutone.com).

Broan-NuTone LLC 926 West State Street, Hartford, WI 53027 [www.nutone.com](http://www.nutone.com) 800-637-1453



# NuTone®

## LEA Y CONSERVE ESTAS INSTRUCCIONES

Aviso al instalador: Deje esta guía con el dueño de la casa.

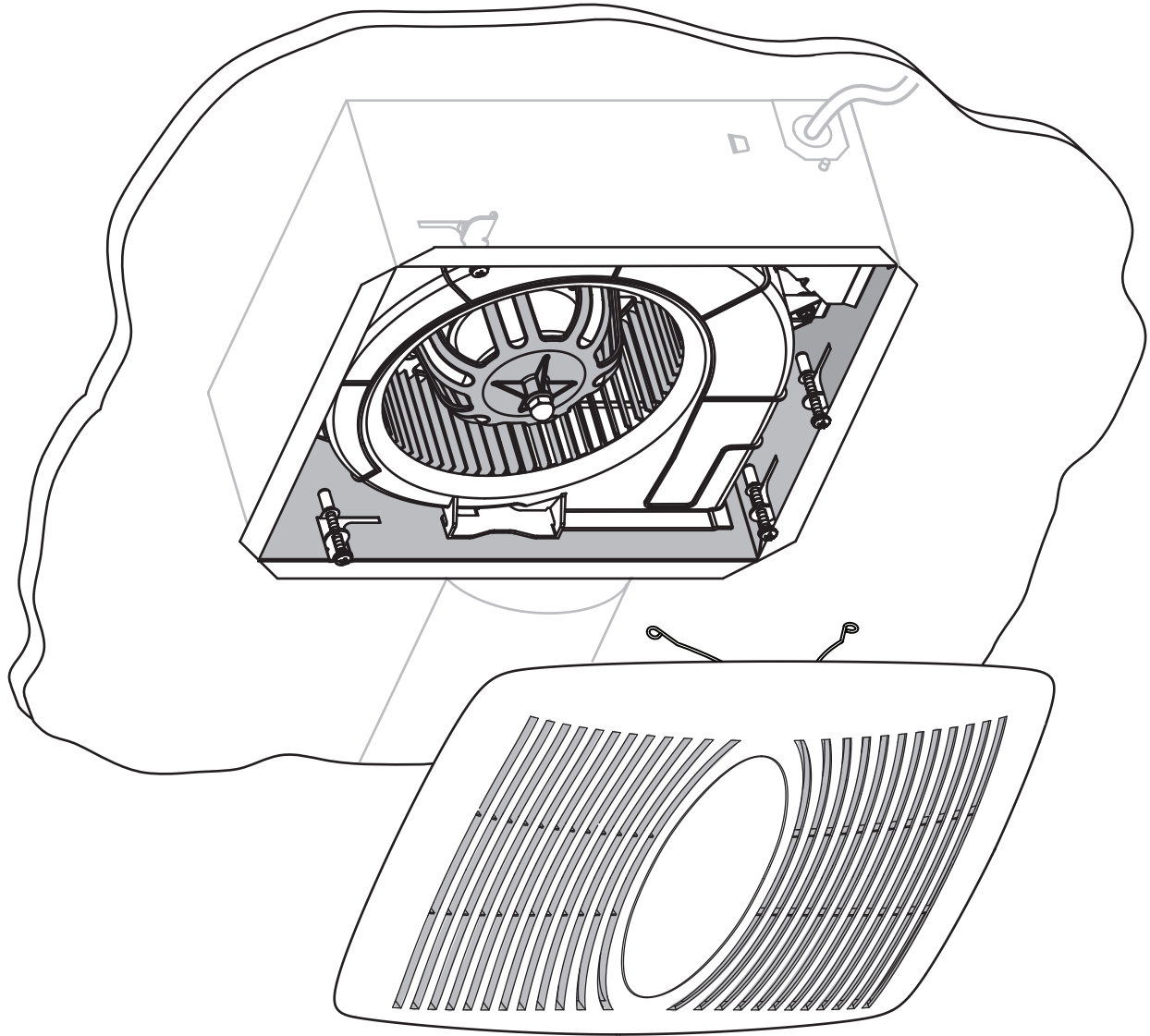
Registre su producto en línea en [www.nutone.com/register](http://www.nutone.com/register).

## EZ80N

EZ Fit

Ventilador de bajo perfil

## GUÍA DE INSTALACIÓN



## Instalación sencilla

### Índice

Advertencias y precauciones	10
Funcionamiento	10
Limpieza y mantenimiento	10
Resolución de problemas	10
Instalación típica	10
Instalación	11-15
Piezas de servicio	16
Garantía	16

## ADVERTENCIA

**PARA REDUCIR EL RIESGO DE INCENDIOS, DESCARGAS ELÉCTRICAS O LESIONES PERSONALES, SIGA LAS SIGUIENTES PRECAUCIONES:**

1. Use la unidad solo de la manera indicada por el fabricante. Si tiene preguntas, comuníquese con el fabricante a la dirección o al número telefónico que se incluye en la garantía.
2. Antes de dar servicio a la unidad o de limpiarla, interrumpa el suministro eléctrico en el panel de servicio y bloquee los medios de desconexión del servicio para evitar que la electricidad se reanude accidentalmente. Cuando no sea posible bloquear los medios de desconexión del servicio, fije firmemente una señal de advertencia (como una etiqueta) en un lugar visible del panel de servicio.
3. El trabajo de instalación y el cableado eléctrico deben estar a cargo de personal capacitado, de acuerdo con todos los códigos y normas correspondientes, incluidos los códigos y las normas de construcción específicos sobre protección contra incendios.
4. Es necesario suficiente aire para que se lleve a cabo una combustión y una extracción adecuadas de los gases a través del tubo de humos (chimenea) del equipo quemador de combustible, con el fin de evitar el contratiro. Siga las directrices y las normas de seguridad del fabricante del equipo de calefacción, como las publicadas por la Asociación Nacional de Protección contra Incendios (National Fire Protection Association, NFPA), la Sociedad Americana de Ingenieros de Calefacción, Refrigeración y Aire Acondicionado (American Society for Heating, Refrigeration and Air Conditioning Engineers, ASHRAE) y las autoridades normativas locales.
5. Al cortar o perforar a través del cielo raso, tenga cuidado de no dañar el cableado eléctrico ni otros servicios ocultos.
6. Los ventiladores con conductos siempre deben ventearse hacia el exterior.
7. Esta unidad puede instalarse sobre una tina o ducha (solamente en el cielo raso) siempre que se conecte a un GFCI (interruptor accionado por pérdida de conexión a tierra) en un circuito de derivación protegido.
8. Esta unidad debe estar conectada a tierra.

## PRECAUCIÓN

1. Solo para usarse como medio de ventilación general. No debe usarse para la extracción de materiales o vapores peligrosos o explosivos.
2. NO instale esta unidad en un panel acústico para cielo raso.
3. Cuando se instale en un cielo raso con inclinación, el conector del conducto debe apuntar hacia arriba.
4. Para evitar daños a los cojinetes del motor y rotores ruidosos o desbalanceados, mantenga la unidad de potencia protegida contra rociados de yeso, polvos de construcción, etc.
5. Lea la etiqueta de especificaciones del producto para ver información y requisitos adicionales.



Los conductos desde este ventilador hacia el exterior del edificio tienen un gran efecto sobre el flujo de aire, el ruido y el uso de energía del ventilador.

Utilice el tramo de conductos más corto y recto posible para obtener un desempeño óptimo y evite instalar el ventilador con conductos menores que los recomendados. El aislamiento alrededor de los conductos puede reducir la pérdida de energía e inhibir el desarrollo de moho. Los ventiladores instalados en conductos existentes podrían no obtener el flujo de aire nominal.

Para un mejor desempeño, se recomienda utilizar conductos metálicos redondos y rígidos de 4 pulg. (10 cm).

## Funcionamiento

**Para hacer funcionar el ventilador**

Accione este ventilador mediante un interruptor de encendido/apagado o control de velocidad.

**ADVERTENCIA ** Antes de dar servicio a la unidad o de limpiarla, interrumpa el suministro eléctrico en el panel de servicio y bloquee los medios de desconexión del servicio para evitar que la electricidad se reanude accidentalmente. Cuando no sea posible bloquear los medios de desconexión del servicio, fije firmemente una señal de advertencia (como una etiqueta) en un lugar visible del panel de servicio.

## Limpieza y mantenimiento

**Para limpiarlo**

Para lograr un funcionamiento silencioso y eficiente, además de una larga vida útil y una apariencia atractiva, retire la rejilla y aspire el interior de la unidad con un accesorio del cepillo para quitar el polvo.

El motor está permanentemente lubricado y nunca necesitará ponerle aceite. Si los cojinetes del motor realizan ruidos excesivos o inusuales, reemplace el motor.

## Resolución de problemas

**Síntoma: El ventilador no funciona.**

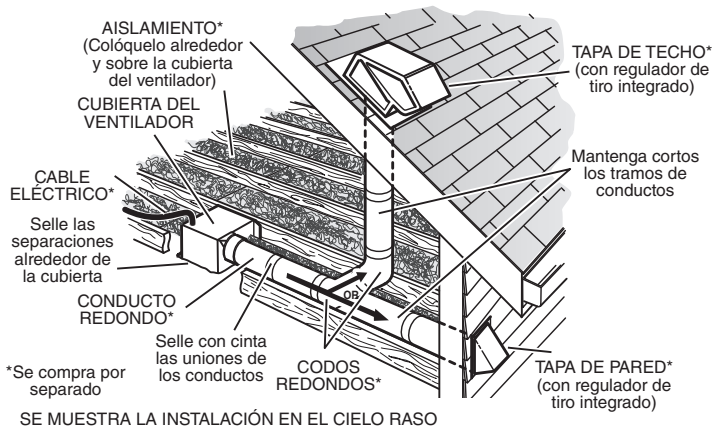
- Compruebe si hay un fusible o un interruptor automático abierto en el panel de servicio del edificio.
- Compruebe que la conexión enchufable para el motor está asentada firmemente en su lugar.
- Compruebe que la rueda del ventilador gire sin obstrucciones.

**Síntoma: El ventilador funciona de forma errática.**

- Compruebe que la rueda del ventilador esté firmemente acoplada al eje del motor y que ambos giren sin obstrucciones.

**Síntoma: El ventilador hace demasiado ruido.**

- Compruebe que el regulador de tiro invertido del conector de conductos del ventilador gire sin obstrucciones. Los tornillos utilizados para afianzar el conducto al conector de conductos pueden impedir que se abra el regulador de tiro.
- Compruebe que el regulador de tiro invertido del conector de conductos de la tapa de techo o de pared gire sin obstrucciones. Estos reguladores suelen cerrarse accidentalmente después de ser pintados o suelen obstruirse con pájaros o restos de insectos.



Utilice el tramo de conductos más corto y recto posible para obtener un desempeño óptimo y evite instalar el ventilador con conductos menores que los recomendados. El aislamiento alrededor de los conductos puede reducir la pérdida de energía e inhibir el desarrollo de moho. Los ventiladores instalados en conductos existentes podrían no obtener el flujo de aire nominal.

## Instalación - Vuelva a colocar el ventilador existente

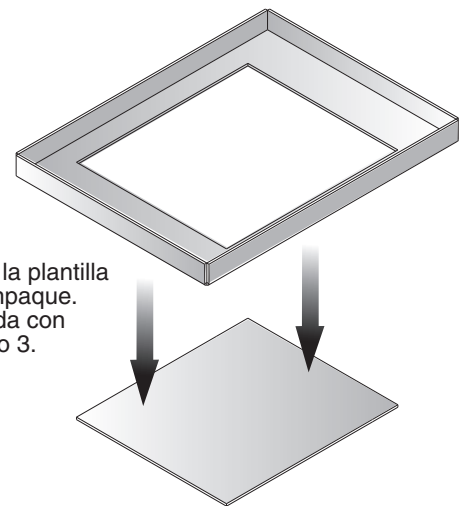
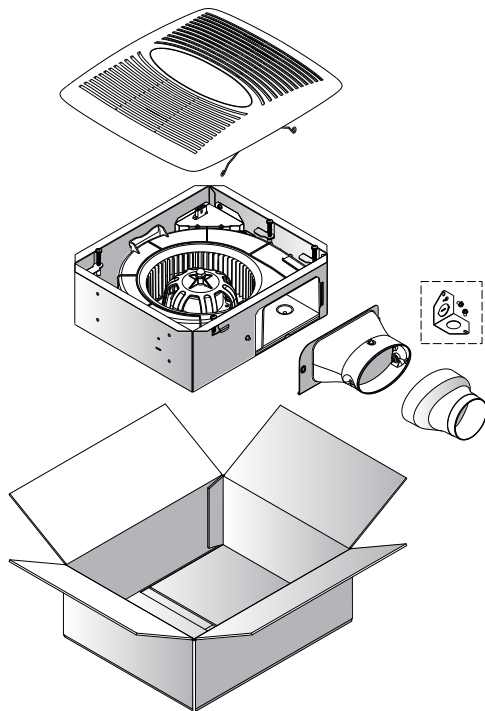
### Herramientas necesarias

- Destornillador Phillips (recomendado)
- Martillo
- Gafas de seguridad
- Lápiz
- Cinta métrica
- Sierra para placa de yeso

### Materiales necesarios

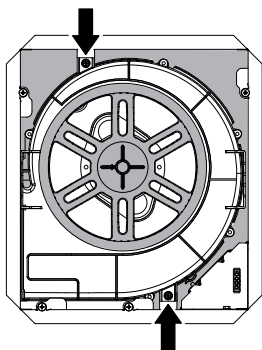
- Se recomienda utilizar conductos metálicos redondos de 4 pulg. (10.2 cm) para obtener un desempeño óptimo. Aunque el uso de otros sistemas de conductos es aceptable, puede afectar el desempeño.
- Tapa de techo o tapa de pared (se recomienda que tenga regulador de tiro integrado)
- Cinta para sellar las conexiones de los conductos
- Tornillos para placa de yeso, tornillos de chapa metálica (opcionales)
- Cableado eléctrico y suministros según los requisitos de los códigos locales

## 1 Saque todo del empaque



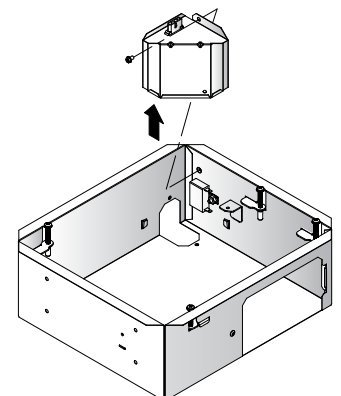
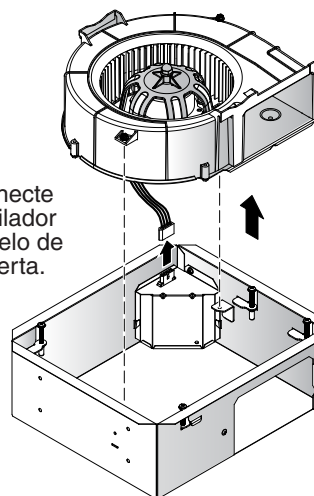
Retire la plantilla del empaque. Proceda con el paso 3.

## 2 Prepare la cubierta



1 Afloje 2 tornillos del ventilador.

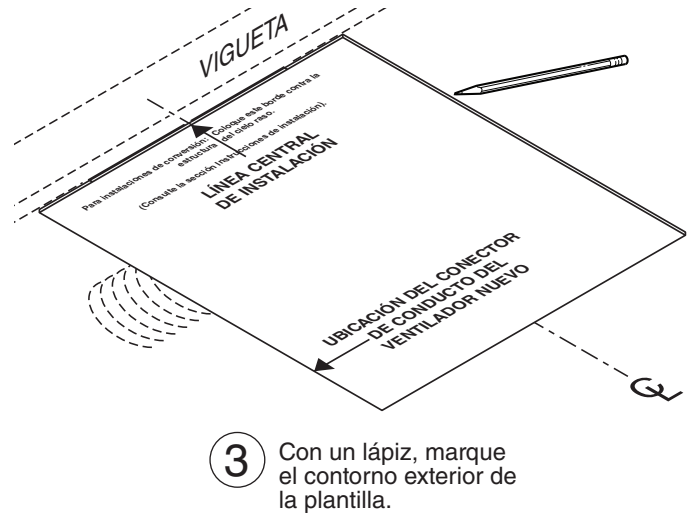
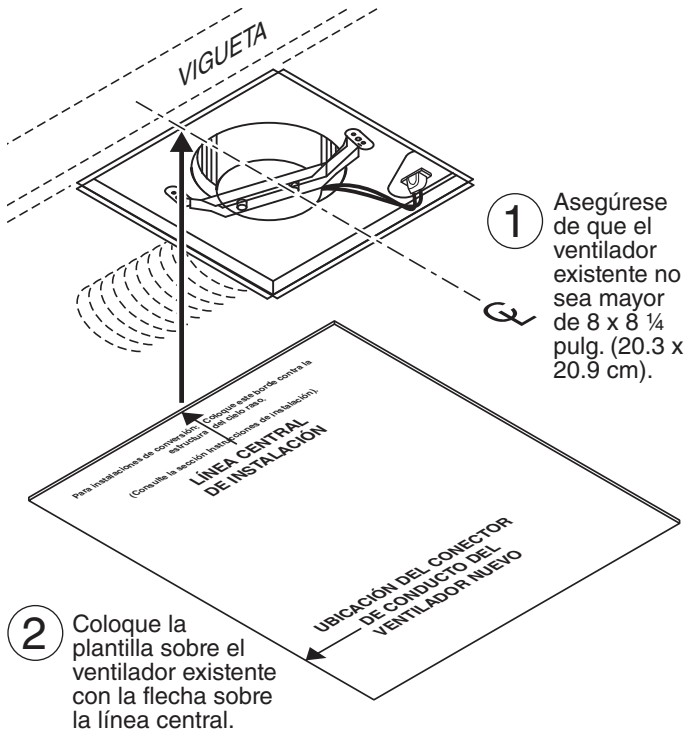
2 Desconecte el ventilador y sáquelo de la cubierta.



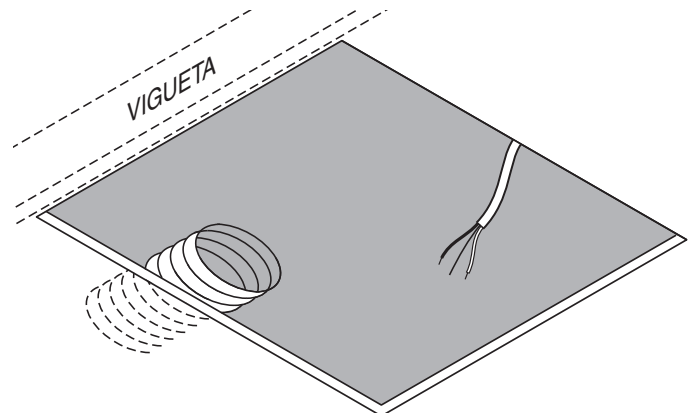
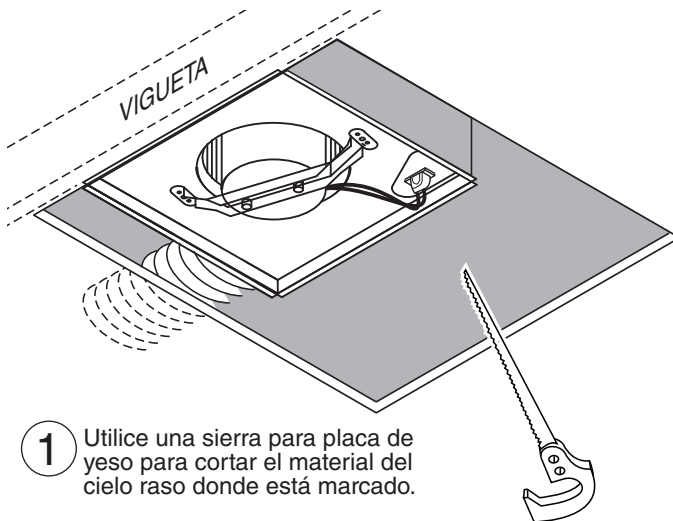
3 Quite la cubierta del cableado.

## Instalación - Vuelva a colocar el ventilador existente

### 3 Marque el cielo raso usando la plantilla



### 4 Corte la abertura para el cielo raso y quite el ventilador usado

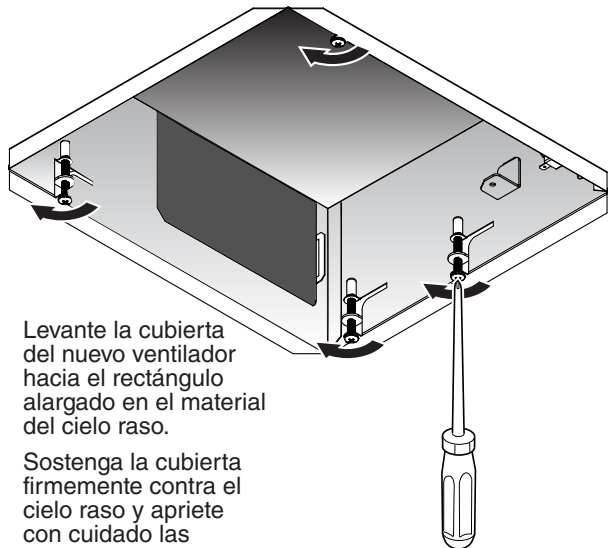


#### ADVERTENCIA

Tenga cuidado de no cortar a través del cableado eléctrico o los conductos.

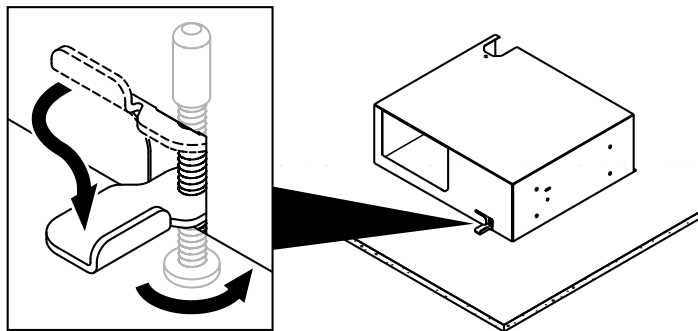
## Instalación - Vuelva a colocar el ventilador existente

### 5 Instale la cubierta nueva



Levante la cubierta del nuevo ventilador hacia el rectángulo alargado en el material del cielo raso.

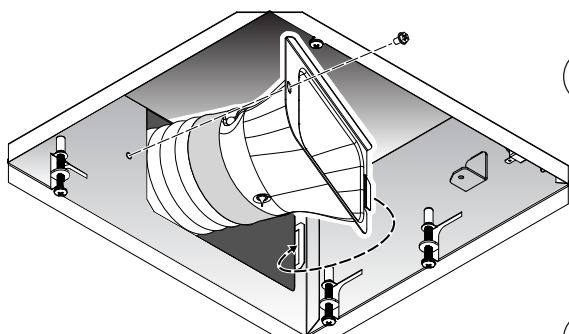
Sostenga la cubierta firmemente contra el cielo raso y apriete con cuidado las 4 abrazaderas con un destornillador Phillips.



Cuando se les da vuelta a la derecha (con un destornillador Phillips), las abrazaderas girarán hacia afuera de la cubierta y se moverán hacia abajo en la parte superior del material del cielo raso para asegurar la cubierta en su lugar correctamente. Techos de un grosor mínimo deberá ser de 1/2 pulg. (1.3 cm).

**NOTA: No apriete las abrazaderas excesivamente con un destornillador eléctrico. El material del cielo raso podría deformarse y prevenir la instalación adecuada.**

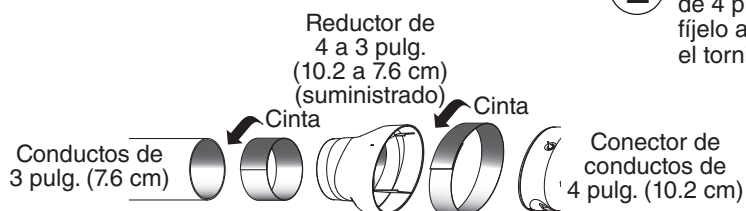
### 6 Conecte los conductos



- 1 Ajuste un conducto de 4 pulg. (10 cm) en la cubierta y utilice cinta para conductos para fijarlo al conector de conductos de 4 pulg. (10 cm). Es posible que tenga que cortar el conducto rígido a la medida antes de instalar la cubierta.

Para conductos de 3 pulg. (7.6 cm), utilice el reductor de 4 a 3 pulg. (10.2 a 7.6 cm) (suministrado). Vea abajo.

- 2 Coloque un conector de conductos de 4 pulg. (10 cm) en la abertura y fíjelo a la cubierta con la lengüeta y el tornillo que se proporcionan.





## Instalación - Vuelva a colocar el ventilador existente

### 7 Conecte los cables eléctricos

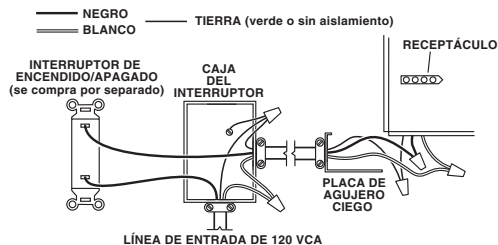
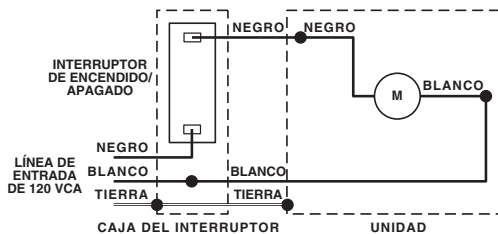
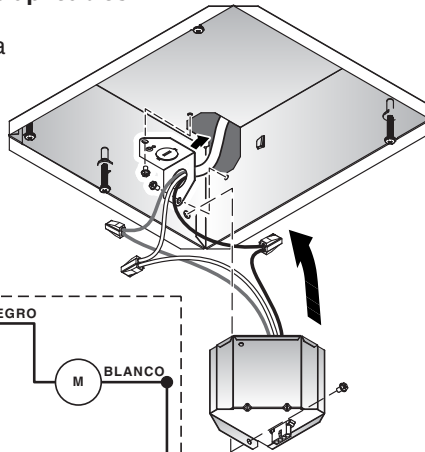
#### ADVERTENCIA

PARA REDUCIR EL RIESGO DE INCENDIOS, DESCARGAS ELÉCTRICAS O LESIONES PERSONALES OBSERVE LAS SIGUIENTES PRECAUCIONES: Si no está familiarizado con el cableado eléctrico, contrate los servicios de una persona calificada para realizar las conexiones eléctricas de acuerdo con todos los códigos y normas aplicables.

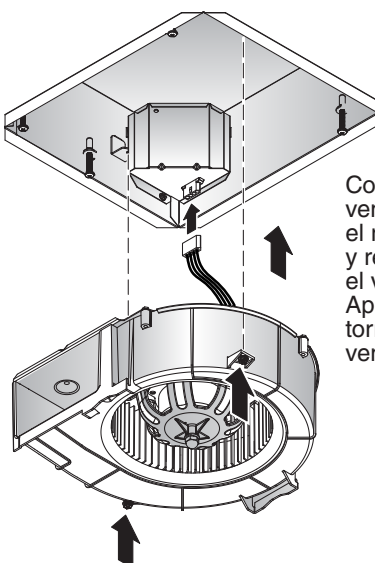
Conecte los cables de la casa a la placa de cables con un conector aprobado por UL.

Conecte los cables tal como se ilustra en los diagramas.

Conecte la placa de cables y la cubierta de cables al interior de la cubierta con los tornillos suministrados.

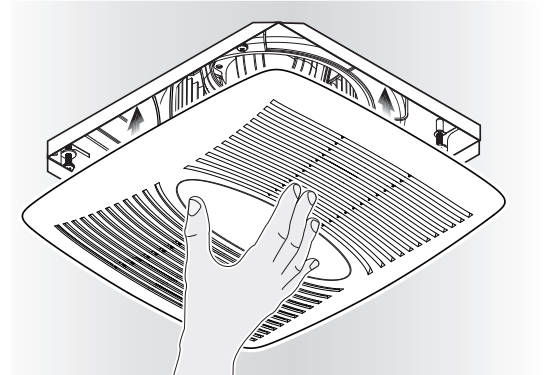
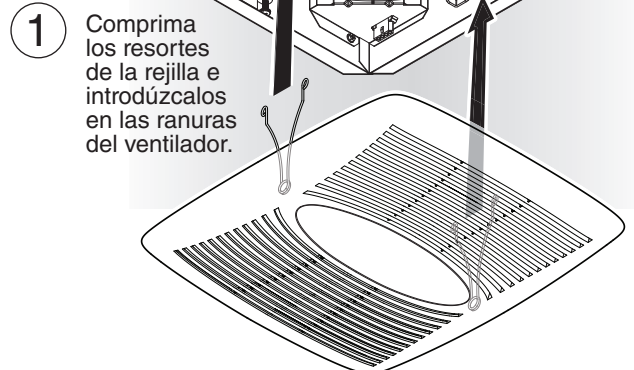


### 8 Vuelva a colocar el ventilador



Conecte el ventilador en el receptáculo y reinstale el ventilador. Apriete los tornillos del ventilador.

### 9 Instale la rejilla



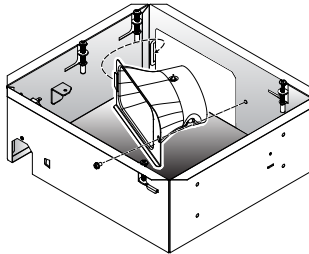
## Instalación en la nueva construcción

**1** Saque todo del empaque (*Vea página 11*)

**2** Prepare la cubierta (*Vea página 11*)

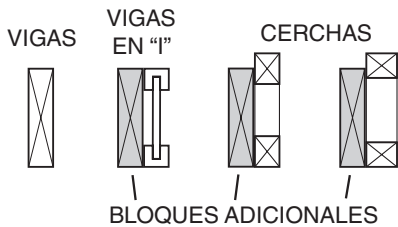
**3** Instale la cubierta del ventilador y conecte los conductos

**1** Empuje el conector de conductos de 4 pulg. (10.2 cm) hacia la abertura y sujételo a la cubierta con la lengüeta y el tornillo suministrados.



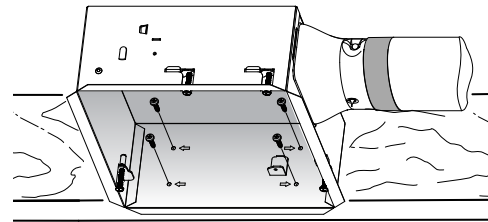
**2** En una construcción nueva (antes de que esté terminado el cielo raso):

Fije la cubierta a las viguetas del cielo raso de 2 x 6 pulg. (5 x 15.2 cm) o mayores. Utilice bloques adicionales según sea necesario.



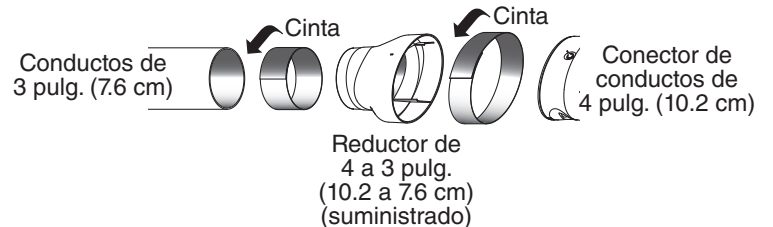
**3** Coloque el ventilador contra el armazón, con el borde inferior de la cubierta a nivel con el cielo raso terminado. Use 4 tornillos para fijar la cubierta al armazón.

**Opcional para un soporte adicional:** Una vez que el cielo raso esté terminado, gire las abrazaderas de apriete como se describe en el paso 5.



**4** Utilice cinta para conductos para conectar los conductos de 4 pulg. (10.2 cm) al conector de conductos de 4 pulg. (10.2 cm).

Para conductos de 3 pulg. (7.6 cm), utilice el reductor de 4 a 3 pulg. (10.2 a 7.6 cm) (suministrado). *Vea abajo.*

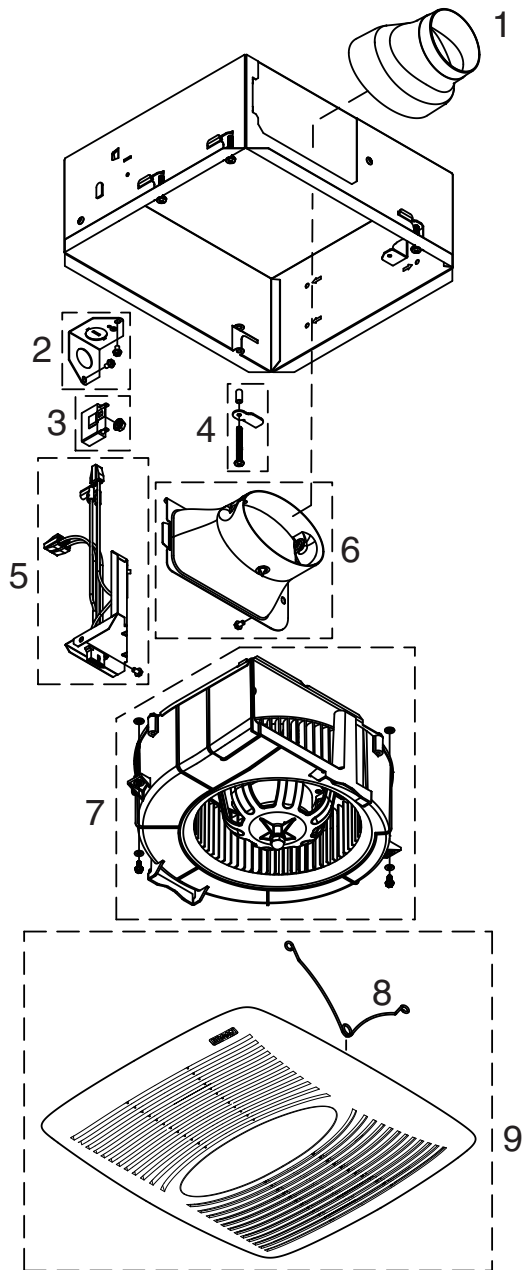


**4** Vea “Conecte los cables eléctricos” en la página 14.

**5** Vea “Vuelva a colocar el ventilador” en la página 14.

**6** Vea “Instale la rejilla” en la página 14.

## Piezas de servicio



N.º de clave	N.º de pieza	Descripción
1	79110158	Reductor de 4 a 3 pulg. (10.2 a 7.6 cm)
2	97019326	Placa de cableado
3	77001297	Condensador
4	77001447	Abrazaderas para apretar (incluye 4 tornillos y abrazaderas)
5	97019006	Conjunto de la cubierta para los cables
6	77001277	Conjunto del conector de conductos
7	97020042	Conjunto del ventilador
8	79140014	Muelle de la rejilla (se incluyen 2)
9	97019525	Conjunto de la rejilla (incluye 2 muelles de rejilla)

Pida las piezas por número de pieza, no por número de clave.

## Garantía

### Garantía limitada

**Periodo y exclusiones de la garantía:** Broan-NuTone LLC (la "Compañía") garantiza al consumidor comprador original de su producto ("usted") que el producto (el "Producto") estará libre de defectos en materiales o en mano de obra, por un periodo de un (1) año a partir de la fecha de compra original.

El periodo de garantía limitada para cualquier pieza de repuesto proporcionada por la compañía y para cualquier Producto reparado o reemplazado bajo esta garantía limitada debe ser lo que reste del periodo de garantía original.

Esta garantía no cubre controles de velocidad, arrancadores de lámparas fluorescentes, tubos, bombillas de halógeno e incandescentes, fusibles, filtros, conductos, tapas de techo, tapas de pared ni otros accesorios que pudieran ser comprados por separado e instalados con el producto. Esta garantía tampoco cubre (a) mantenimiento y servicio normal, (b) uso y desgaste normal, (c) Productos o piezas sujetos a mal uso, abuso, uso anormal, negligencia, accidente, mantenimiento inadecuado o insuficiente, almacenamiento o reparación (que no sea reparación por parte de la Compañía), (d) daños causados por instalación defectuosa, o bien instalación o uso contrario a las recomendaciones o instrucciones, (e) cualquier Producto que se haya movido de su punto de instalación original, (f) daños ocasionados por el medio ambiente o los elementos naturales, (g) daños en tránsito, (h) desgaste natural del acabado, (i) Productos en uso comercial o no residencial, o (j) daños ocasionados por incendio, inundación u otro caso fortuito. Esta garantía cubre solamente Productos vendidos a clientes originales en los Estados Unidos por la Compañía o a distribuidores de EE. UU. autorizados por la Compañía.

Esta garantía sustituye todas las garantías anteriores y no es transferible del comprador consumidor original.

**No hay otras garantías:** Esta garantía limitada contiene la única obligación de la Compañía y su único recurso ante productos defectuosos. Las garantías anteriores son exclusivas y en lugar de cualquier otra garantía, expresa o implícita. **LA COMPAÑÍA NIEGA Y EXCLUYE CUALQUIER OTRA GARANTÍA EXPRESA, Y NIEGA Y EXCLUYE TODAS LAS GARANTÍAS IMPLÍCITAS POR LEY, INCLUYENDO, ENTRE OTRAS, LAS DE COMERCIALIZACIÓN Y APTITUD PARA UN PROPÓSITO EN PARTICULAR.** Hasta el grado en que la ley aplicable prohíba la exclusión de las garantías implícitas, la duración de cualquier garantía implícita aplicable está limitada al periodo especificado para la garantía expresa antes mencionada. Algunos estados no permiten limitaciones en la duración de una garantía implícita, así que la limitación anterior tal vez no aplique en su caso. Cualquier descripción verbal o escrita del Producto es para el único propósito de identificarlo y no deberá considerarse como una garantía expresa.

Siempre que sea posible, toda disposición de esta garantía limitada deberá ser interpretada de tal forma que sea efectiva y válida de conformidad con la ley aplicable, pero si alguna disposición fuera considerada prohibida o inválida, quedará sin efecto solo en virtud de dicha prohibición o invalidez, sin invalidar el resto de dicha disposición o las demás disposiciones restantes de la garantía limitada.

**Recurso:** Durante el periodo de garantía limitada aplicable, la Compañía, a su opción, suministrará piezas de repuesto, o reparará o reemplazará, sin cargo alguno, cualquier Producto o pieza del mismo, hasta el grado en que la Compañía lo encuentre cubierto bajo esta garantía limitada y en incumplimiento de la misma en condiciones normales de uso y servicio. La Compañía le enviará el Producto reparado o reemplazado o las piezas de repuesto sin cargo. Usted es responsable de todos los costos de retiro, reinstalación y envío, seguro u otros cargos de flete incurridos en el envío del Producto o pieza a la Compañía. Si debe enviar el Producto o la pieza a la Compañía, tal como lo indique la Compañía, debe empaquetar adecuadamente el Producto o la pieza: la Compañía no se hace responsable por los daños en tránsito. La Compañía se reserva el derecho de utilizar Productos o piezas reacondicionados, renovados, reparados o refabricados en el proceso de reemplazo o reparación de garantía. Dichos Productos y piezas serán comparables en función y desempeño a un Producto o una pieza original y tendrán garantía durante el resto del periodo de la garantía original.

**Exclusión de daños:** LA OBLIGACIÓN DE LA COMPAÑÍA DE SUMINISTRAR PIEZAS DE REPUESTO, O DE REPARAR O REEMPLAZAR, A OPCIÓN DE LA COMPAÑÍA, SERÁ SU ÚNICO Y EXCLUSIVO RECURSO BAJO ESTA GARANTÍA LIMITADA, Y LA ÚNICA Y EXCLUSIVA OBLIGACIÓN DE LA COMPAÑÍA. LA COMPAÑÍA NO SERÁ RESPONSABLE POR DAÑOS INCIDENTALES, INDIRECTOS, RESULTANTES O ESPECIALES QUE SURJAN POR EL USO O DESEMPEÑO DEL PRODUCTO, O EN RELACIÓN CON EL MISMO.

Algunos estados no permiten la exclusión o limitación de daños incidentales o resultantes, por lo que la limitación antes mencionada podría no aplicarse a usted. Esta garantía le otorga derechos legales específicos, y usted podría tener otros derechos que varían de un estado a otro.

Esta garantía cubre únicamente el reemplazo o la reparación de Productos defectuosos o piezas de los mismos en la planta principal de la Compañía, y no incluye el costo del viaje para el servicio de campo ni los viáticos.

Cualquier asistencia que proporcione o procure la Compañía para usted fuera de los términos, limitaciones o exclusiones de esta garantía limitada no constituirá una renuncia a dichos términos, limitaciones o exclusiones, ni dicha asistencia extenderá o renovará la garantía.

La Compañía no le reembolsará ningún gasto en el que usted haya incurrido al reparar o reemplazar cualquier Producto defectuoso, excepto los incurridos con el permiso previo por escrito de la Compañía.

**Cómo obtener el servicio cubierto por la garantía:** Para tener derecho al servicio cubierto por la garantía, usted debe (a) notificar a la Compañía a la dirección o número de teléfono que aparecen abajo en un plazo de siete (7) días después de descubrir el defecto cubierto, (b) proporcionar el número de modelo y la identificación de la pieza y (c) describir la naturaleza de cualquier defecto en el Producto o la pieza. En el momento de solicitar el servicio cubierto por la garantía, debe presentar un comprobante de la fecha de compra original. Si usted no puede presentar una copia de la garantía limitada original por escrito, entonces regirán los términos de la garantía limitada por escrito más actualizada de la compañía para su producto en particular. Las garantías limitadas por escrito más actualizadas para los productos de la Compañía se pueden encontrar en [www.nutone.com](http://www.nutone.com).

Broan-NuTone LLC 926 West State Street, Hartford, WI 53027 [www.nutone.com](http://www.nutone.com) 800-637-1453