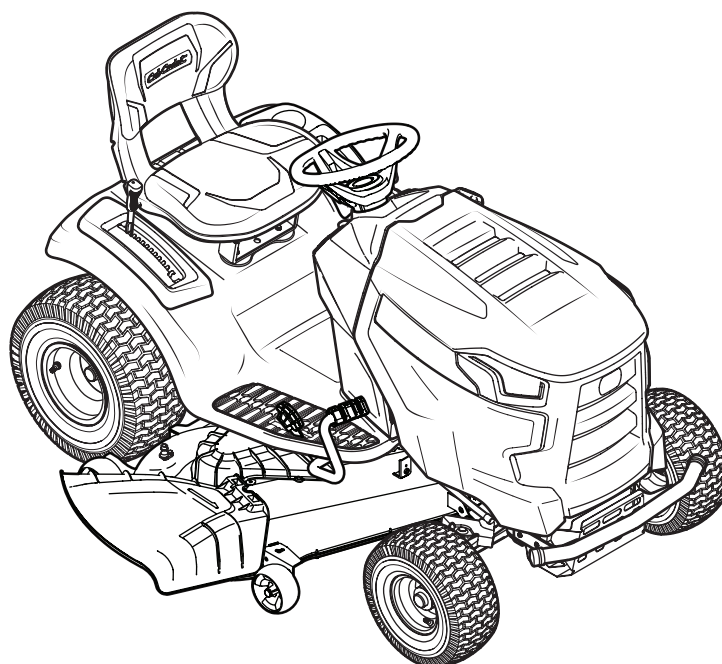


Cub Cadet[®]

OPERATOR'S MANUAL



XT1 & XT2 Enduro Series™ Tractor

⚠ WARNING

**READ AND FOLLOW ALL SAFETY RULES AND INSTRUCTIONS IN THIS MANUAL
BEFORE ATTEMPTING TO OPERATE THIS MACHINE.
FAILURE TO COMPLY WITH THESE INSTRUCTIONS MAY RESULT IN PERSONAL INJURY.**

CUB CADET LLC, P.O. BOX 361131 CLEVELAND, OHIO 44136-0019

Thank You

Thank you for purchasing a Cub Cadet Enduro Series™ Tractor. It was carefully engineered to provide excellent performance when properly operated and maintained.

Please read this entire manual prior to operating the equipment. It instructs you how to safely and easily set up, operate and maintain your machine. Please be sure that you, and any other persons who will operate the machine, carefully follow the recommended safety practices at all times. Failure to do so could result in personal injury or property damage.

All information in this manual is relative to the most recent product information available at the time of printing. Review this manual frequently to familiarize yourself with the machine, its features and operation. Please be aware that this Operator's Manual may cover a range of product specifications for various models. Characteristics and features discussed and/or illustrated in this manual may not be applicable to all models. We reserve the right to change product specifications, designs and equipment without notice and without incurring obligation.

If applicable, the power testing information used to establish the power rating of the engine equipped on this machine can be found at www.opei.org or the engine manufacturer's web site.

If you have any problems or questions concerning the machine, phone your local Cub Cadet dealer or contact us directly. Cub Cadet's Customer Support telephone numbers, website address and mailing address can be found on this page. We want to ensure your complete satisfaction at all times.

Throughout this manual, all references to *right* and *left* side of the machine are observed from the operating position

The engine manufacturer is responsible for all engine-related issues with regards to performance, power-rating, specifications, warranty and service. Please refer to the engine manufacturer's Owner's/Operator's Manual, packed separately with your machine, for more information.

Table of Contents

Safe Operation Practices	3	Service	26
Assembly & Set-Up	9	Troubleshooting	30
Controls & Features	14	Replacement Parts	31
Operation	17	Attachments & Accessories	33
Maintenance & Adjustment	21	Warranty	Back Cover

Record Product Information

Before setting up and operating your new equipment, please locate the model plate on the equipment and record the information in the provided area to the right. You can locate the model plate by looking beneath the seat. This information will be necessary, should you seek technical support via our web site, Customer Support Department, or with a local authorized service dealer.

MODEL NUMBER

--	--	--	--	--	--	--	--	--	--	--

SERIAL NUMBER

--	--	--	--	--	--	--	--	--	--	--

Product Registration and Customer Support

Please register your product on our website, www.cubcadet.com.

If you have difficulty assembling this product or have any questions regarding the controls, operation, or maintenance of this machine, you can seek help from the experts. Choose from the options below:

- ◇ Visit us on the web at www.cubcadet.com



See How-to Maintenance and Parts Installation Videos at www.cubcadet.com/tutorials

- ◇ Call a Customer Support Representative at (800) 965-4CUB
- ◇ Locate your nearest Cub Cadet Dealer at (877) 282-8684
- ◇ Write to Cub Cadet LLC • P.O. Box 361131 • Cleveland, OH • 44136-0019



WARNING! This symbol points out important safety instructions which, if not followed, could endanger the personal safety and/or property of yourself and others. Read and follow all instructions in this manual before attempting to operate this machine. Failure to comply with these instructions may result in personal injury.

When you see this symbol. **HEED ITS WARNING!**

CALIFORNIA PROPOSITION 65



WARNING! Engine Exhaust, some of its constituents, and certain vehicle components contain or emit chemicals known to State of California to cause cancer and birth defects or other reproductive harm.



WARNING! Battery posts, terminals, and related accessories contain lead and lead compounds, chemicals known to the State of California to cause cancer and reproductive harm. *Wash hands after handling*



DANGER! This machine was built to be operated according to the safe operation practices in this manual. As with any type of power equipment, carelessness or error on the part of the operator can result in serious injury. This machine is capable of amputating hands and feet and throwing objects. Failure to observe the following safety instructions could result in serious injury or death.

General Operation

1. Read, understand, and follow all instructions on the machine and in the manual(s) before attempting to assemble and operate. Keep this manual in a safe place for future and regular reference and for ordering replacement parts.
2. Be familiar with all controls and their proper operation. Know how to stop the machine and disengage them quickly.
3. Never allow children under 14 years of age to operate this machine. Children 14 and over should read and understand the instructions and safe operation practices in this manual and on the machine and should be trained and supervised by an adult.
4. Never allow adults to operate this machine without proper instruction.
5. To help avoid blade contact or a thrown object injury, keep bystanders, helpers, children and pets at least 75 feet from the machine while it is in operation. Stop machine if anyone enters the area.
6. Thoroughly inspect the area where the equipment is to be used. Remove all stones, sticks, wire, bones, toys, and other foreign objects which could be picked up and thrown by the blade(s). Thrown objects can cause serious personal injury.
7. Plan your mowing pattern to avoid discharge of material toward roads, sidewalks, bystanders and the like. Also, avoid discharging material against a wall or obstruction which may cause discharged material to ricochet back toward the operator.
8. Always wear safety glasses or safety goggles during operation and while performing an adjustment or repair to protect your eyes. Thrown objects which ricochet can cause serious injury to the eyes.
9. Wear sturdy, rough-soled work shoes and close-fitting slacks and shirts. Loose fitting clothes and jewelry can be caught in movable parts. Never operate this machine in bare feet or sandals.
10. Be aware of the mower and attachment discharge direction and do not point it at anyone. Do not operate the mower without the discharge cover or entire grass catcher in its proper place.
11. Do not put hands or feet near rotating parts or under the cutting deck. Contact with the blade(s) can amputate hands and feet.

12. A missing or damaged discharge cover can cause blade contact or thrown object injuries.
13. Stop the blade(s) when crossing gravel drives, walks, or roads and while not cutting grass.
14. Watch for traffic when operating near or crossing roadways. This machine is not intended for use on any public roadway.
15. Do not operate the machine while under the influence of alcohol or drugs.
16. Mow only in daylight or good artificial light.
17. Never carry passengers.
18. Disengage blade(s) before shifting into reverse. Back up slowly. Always look down and behind before and while backing to avoid a back-over accident.
19. Slow down before turning. Operate the machine smoothly. Avoid erratic operation and excessive speed.
20. Disengage blade(s), set parking brake, stop engine and wait until the blade(s) come to a complete stop before removing grass catcher, emptying grass, unclogging chute, removing any grass or debris, or making any adjustments.
21. Never leave a running machine unattended. Always turn off blade(s), place transmission in neutral, set parking brake, stop engine and remove key before dismounting.
22. Use extra care when loading or unloading the machine into a trailer or truck. This machine should not be driven up or down ramp(s), because the machine could tip over, causing serious personal injury. The machine must be pushed manually on ramp(s) to load or unload properly.
23. Muffler and engine become hot and can cause a burn. Do not touch.
24. Check overhead clearances carefully before driving under low hanging tree branches, wires, door openings etc., where the operator may be struck or pulled from the machine, which could result in serious injury.
25. Disengage all attachment clutches, depress the brake pedal completely and shift into neutral before attempting to start engine.
26. Your machine is designed to cut normal residential grass of a height no more than 10". Do not attempt to mow through unusually tall, dry grass (e.g., pasture) or piles of dry leaves. Dry grass or leaves may contact the engine exhaust and/or build up on the mower deck presenting a potential fire hazard.
27. Use only accessories and attachments approved for this machine by the machine manufacturer. Read, understand and follow all instructions provided with the approved accessory or attachment.
28. Data indicates that operators, age 60 years and above, are involved in a large percentage of riding mower-related injuries. These operators should evaluate their ability to operate the riding mower safely enough to protect themselves and others from serious injury.
29. If situations occur which are not covered in this manual, use care and good judgment. Contact your customer service representative for assistance.

Slope Operation

Slopes are a major factor related to loss of control and tip-over accidents which can result in severe injury or death. All slopes require extra caution. If you cannot back up the slope or if you feel uneasy on it, do not mow it.

For your safety, use the slope gauge included as part of this manual to measure slopes before operating this machine on a sloped or hilly area. If the slope is greater than 15 degrees as shown on the slope gauge, do not operate this machine on that area or serious injury could result.

Do:

1. Mow up and down slopes, not across. Exercise extreme caution when changing direction on slopes.
2. Watch for holes, ruts, bumps, rocks, or other hidden objects. Uneven terrain could overturn the machine. Tall grass can hide obstacles.
3. Use slow speed. Choose a low enough speed setting so that you will not have to stop or shift while on the slope. Tires may lose traction on slopes even though the brakes are functioning properly. Always keep machine in gear when going down slopes to take advantage of engine braking action.
4. Follow the manufacturer's recommendations for wheel weights or counterweights to improve stability.
5. Use extra care with grass catchers or other attachments. These can change the stability of the machine.
6. Keep all movement on the slopes slow and gradual. Do not make sudden changes in speed or direction. Rapid engagement or braking could cause the front of the machine to lift and rapidly flip over backwards which could cause serious injury.
7. Avoid starting or stopping on a slope. If tires lose traction, disengage the blade(s) and proceed slowly straight down the slope.

Do Not:

1. Do not turn on slopes unless necessary; then, turn slowly and gradually downhill, if possible.
2. Do not mow near drop-offs, ditches or embankments. The mower could suddenly turn over if a wheel is over the edge of a cliff, ditch, or if an edge caves in.
3. Do not try to stabilize the machine by putting your foot on the ground.
4. Do not use a grass catcher on steep slopes.
5. Do not mow on wet grass. Reduced traction could cause sliding.
6. Do not shift to neutral and coast downhill. Over-speeding may cause the operator to lose control of the machine resulting in serious injury or death.
7. Do not tow heavy pull behind attachments (e.g. loaded dump cart, lawn roller, etc.) on slopes greater than 5 degrees. When going down hill, the extra weight tends to push the tractor and may cause you to lose control (e.g. tractor may speed up, braking and steering ability are reduced, attachment may jack-knife and cause tractor to overturn).

Children

1. Tragic accidents can occur if the operator is not alert to the presence of children. Children are often attracted to the machine and the mowing activity. They do not understand the dangers. Never assume that children will remain where you last saw them.
 - a. Keep children out of the mowing area and in watchful care of a responsible adult other than the operator.
 - b. Be alert and turn machine off if a child enters the area.
 - c. Before and while backing, look behind and down for small children.
 - d. Never carry children, even with the blade(s) shut off. They may fall off and be seriously injured or interfere with safe machine operation.
 - e. Use extreme care when approaching blind corners, doorways, shrubs, trees or other objects that may block your vision of a child who may run into the path of the machine.
 - f. To avoid back-over accidents, always disengage the cutting blade(s) before shifting into Reverse. If equipped, the "Reverse Caution Mode" should not be used when children or others are around.
 - g. Keep children away from hot or running engines. They can suffer burns from a hot muffler.
 - h. Remove key when machine is unattended to prevent unauthorized operation.
2. Never allow children under 14 years of age to operate this machine. Children 14 and over should read and understand the instructions and safe operation practices in this manual and on the machine and should be trained and supervised by an adult.

Towing

1. Tow only with a machine that has a hitch designed for towing. Do not attach towed equipment except at the hitch point.
2. Follow the manufacturer's recommendation for weight limits for towed equipment and towing on slopes.
3. Never allow children or others in or on towed equipment.
4. On slopes, the weight of the towed equipment may cause loss of traction and loss of control.
5. Always use extra caution when towing with a machine capable of making tight turns (e.g. "zero-turn" ride-on mower). Make wide turns to avoid jack-knifing.
6. Travel slowly and allow extra distance to stop.
7. Do not shift to neutral and coast downhill.

Service

Safe Handling of Gasoline:

1. To avoid personal injury or property damage use extreme care in handling gasoline. **Gasoline is extremely flammable and the vapors are explosive.** Serious personal injury can occur when gasoline is spilled on yourself or your clothes which can ignite. Wash your skin and change clothes immediately.
 - a. Use only an approved gasoline container.
 - b. Never fill containers inside a vehicle or on a truck or trailer bed with a plastic liner. Always place containers on the ground away from your vehicle before filling.
 - c. When practical, remove gas-powered equipment from the truck or trailer and refuel it on the ground. If this is not possible, then refuel such equipment on a trailer with a portable container, rather than from a gasoline dispenser nozzle.
 - d. Keep the nozzle in contact with the rim of the fuel tank or container opening at all times until fueling is complete. Do not use a nozzle lock-open device.
 - e. Extinguish all cigarettes, cigars, pipes and other sources of ignition.
 - f. Never fuel machine indoors.
 - g. Never remove gas cap or add fuel while the engine is hot or running. Allow engine to cool at least two minutes before refueling.
 - h. Never over fill fuel tank. Fill tank to no more than the bottom of filler neck to allow space for fuel expansion.
 - i. Replace gasoline cap and tighten securely.
 - j. If gasoline is spilled, wipe it off the engine and equipment. Move machine to another area. Wait 5 minutes before starting the engine.
 - k. To reduce fire hazards, keep machine free of grass, leaves, or other debris build-up. Clean up oil or fuel spillage and remove any fuel soaked debris.
 - l. Never store the machine or fuel container inside where there is an open flame, spark or pilot light as on a water heater, space heater, furnace, clothes dryer or other gas appliances.
 - m. Allow a machine to cool at least five minutes before storing.

General Service

1. Never run an engine indoors or in a poorly ventilated area. Engine exhaust contains carbon monoxide, an odorless, and deadly gas.
2. Before cleaning, repairing, or inspecting, make certain the blade(s) and all moving parts have stopped. Disconnect the spark plug wire and ground against the engine to prevent unintended starting.

3. Periodically check to make sure the blades come to complete stop within approximately (5) five seconds after operating the blade disengagement control. If the blades do not stop within the this time frame, your machine should be serviced professionally by an authorized Cub Cadet Service Dealer.
4. Check brake operation frequently as it is subjected to wear during normal operation. Adjust and service as required.
5. Check the blade(s) and engine mounting bolts at frequent intervals for proper tightness. Also, visually inspect blade(s) for damage (e.g., excessive wear, bent, cracked). Replace the blade(s) with the original equipment manufacturer's (O.E.M.) blade(s) only, listed in this manual. "Use of parts which do not meet the original equipment specifications may lead to improper performance and compromise safety!"
6. Mower blades are sharp. Wrap the blade or wear gloves, and use extra caution when servicing them.
7. Keep all nuts, bolts, and screws tight to be sure the equipment is in safe working condition.
8. Never tamper with the safety interlock system or other safety devices. Check their proper operation regularly.
9. After striking a foreign object, stop the engine, disconnect the spark plug wire(s) and ground against the engine. Thoroughly inspect the machine for any damage. Repair the damage before starting and operating.
10. Never attempt to make adjustments or repairs to the machine while the engine is running.
11. Grass catcher components and the discharge cover are subject to wear and damage which could expose moving parts or allow objects to be thrown. For safety protection, frequently check components and replace immediately with original equipment manufacturer's (O.E.M.) parts only, listed in this manual. "Use of parts which do not meet the original equipment specifications may lead to improper performance and compromise safety!"
12. Do not change the engine governor settings or over-speed the engine. The governor controls the maximum safe operating speed of the engine.
13. Maintain or replace safety and instruction labels, as necessary.
14. Observe proper disposal laws and regulations for gas, oil, etc. to protect the environment.
15. According to the Consumer Products Safety Commission (CPSC) and the U.S. Environmental Protection Agency (EPA), this product has an *Average Useful Life* of seven (7) years, or 390 hours of operation. At the end of the *Average Useful Life* have the machine inspected annually by an authorized service dealer to ensure that all mechanical and safety systems are working properly and not worn excessively. Failure to do so can result in accidents, injuries or death.

Do not modify engine

To avoid serious injury or death, do not modify engine in any way. Tampering with the governor setting can lead to a runaway engine and cause it to operate at unsafe speeds. Never tamper with factory setting of engine governor.

Notice Regarding Emissions

Engines which are certified to comply with California and federal EPA emission regulations for SORE (Small Off Road Equipment) are certified to operate on regular unleaded gasoline, and may include the following emission control systems: Engine Modification (EM), Oxidizing Catalyst (OC), Secondary Air Injection (SAI) and Three Way Catalyst (TWC) if so equipped.

When required, models are equipped with low permeation fuel lines and fuel tanks for evaporative emission control. California models may also include a carbon canister. Please contact Customer Support for information regarding the evaporative emission control configuration for your model.

Spark Arrestor



WARNING! This machine is equipped with an internal combustion engine and should not be used on or near any unimproved forest-covered, brushcovered or grass-covered land unless the engine's exhaust system is equipped with a spark arrestor meeting applicable local or state laws (if any).

If a spark arrestor is used, it should be maintained in effective working order by the operator. In the State of California the above is required by law (Section 4442 of the California Public Resources Code). Other states may have similar laws. Federal laws apply on federal lands.

A spark arrestor for the muffler is available through your nearest engine authorized service dealer or contact the service department, P.O. Box 361131 Cleveland, Ohio 44136-0019.

















WARNING! Your Responsibility—Restrict the use of this power machine to persons who read, understand and follow the warnings and instructions in this manual and on the machine.

SAVE THESE INSTRUCTIONS!

Safety Symbols

This page depicts and describes safety symbols that may appear on this product. Read, understand, and follow all instructions on the machine before attempting to assemble and operate.

Symbol	Description
	READ THE OPERATOR'S MANUAL(S) Read, understand, and follow all instructions in the manual(s) before attempting to assemble and operate.
	DANGER — ROTATING BLADES Never carry passengers. Never carry children, even with the blades off.
	DANGER — ROTATING BLADES Mowing in reverse is not recommended.
	WARNING — ROTATING BLADES Do not put hands or feet near rotating parts or under the cutting deck. Contact with the blade(s) can amputate hands and feet.
	DANGER — ROTATING BLADES Look down and behind before and while backing to avoid a back-over accident.
	WARNING — THROWN OBJECTS This machine may pick up and throw and objects which can cause serious personal injury.
	DANGER — SAFETY DEVICES Keep safety devices (guards, shields, switches, etc.) in place and working.
	WARNING — BYSTANDERS Keep bystanders, helpers, children and pets at least 75 feet from the machine while it is in operation.
	WARNING — SLOPE OPERATION Do not operate this machine on a slope greater than 15 degrees. Do not mow across slopes. Mow up and down slopes no greater than 15 degrees. Avoid sudden turns. Use low speed. If machine stops going uphill, stop blades and back down slowly.
	WARNING — HOT SURFACE Engine parts, especially the muffler, become extremely hot during operation. Allow engine and muffler to cool before touching.
	DANGER — ROTATING BLADES To reduce the risk of injury, keep hands and feet away. Do not operate unless discharge cover or grass catcher is in its proper place. If damaged, replace immediately.
	WARNING — FIRE HAZARD Allow machine to cool before fueling or storing.
	WARNING — FIRE HAZARD Do not drive through piles of dry leaves or tall grass.
	WARNING — FIRE HAZARD Do not allow debris to accumulate. The build up of debris can lead to a fire.

Slope Gauge

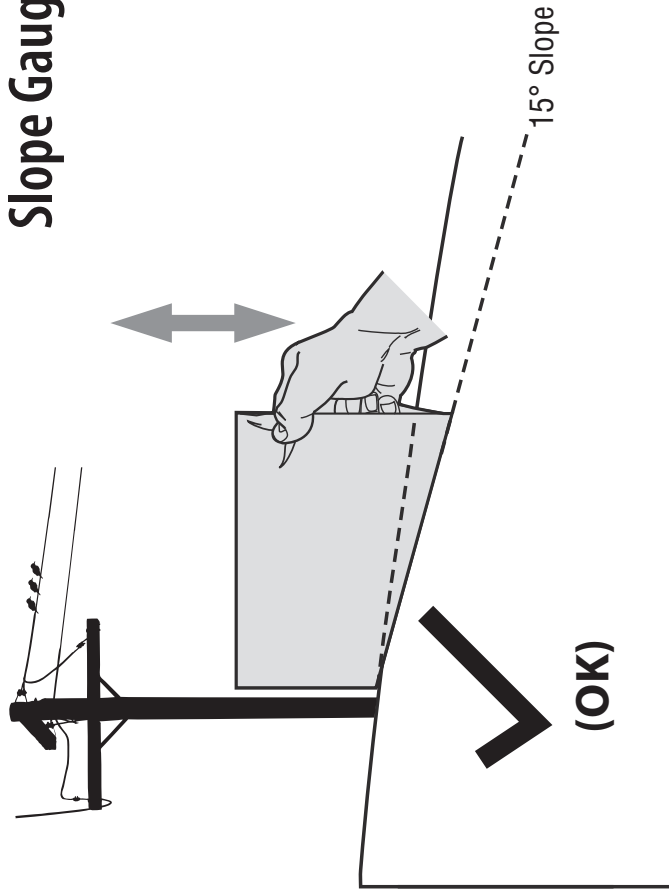


Figure 1

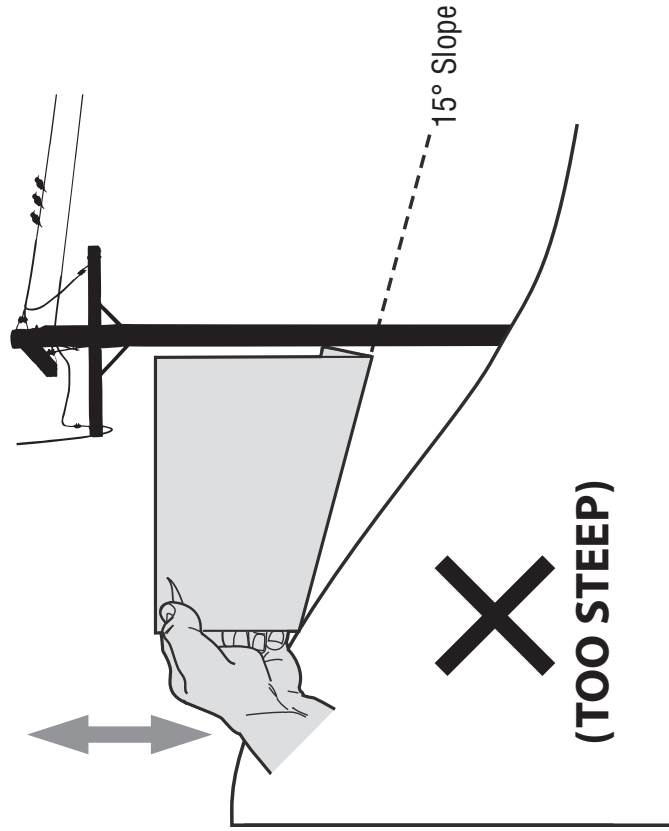


Figure 2

15° dashed line

USE THIS SLOPE GAUGE TO DETERMINE IF A SLOPE IS TOO STEEP FOR SAFE OPERATION!

To check the slope, proceed as follows:

1. Remove this page and fold along the dashed line.
2. Locate a vertical object on or behind the slope (e.g. a pole, building, fence, tree, etc.)
3. Align either side of the slope gauge with the object (See Figure 1 and Figure 2).
4. Adjust gauge up or down until the left corner touches the slope (See Figure 1 and Figure 2).
5. If there is a gap below the gauge, the slope is too steep for safe operation (See Figure 2 above).



WARNING! Slopes are a major factor related to tip-over and roll-over accidents which can result in severe injury or death. Do not operate machine on slopes in excess of 15 degrees. All slopes require extra caution. If you cannot back up the slope or if you feel uneasy on it, do not mow it. Always mow up and down slopes, never across the face of slopes.

Contents of Crate

- One Tractor
- One Operator's Manual
- One Engine Operator's Manual

NOTE: This Operator's Manual covers several models. Tractor features may vary by model. Not all features in this manual are applicable to all tractor models and the tractor depicted may differ from yours.

NOTE: All references in this manual to the left or right side and front or back of the tractor are from the operating position only. Exceptions, if any, will be specified.

Tractor Preparation

Manually Moving the Tractor

1. Engage the transmission bypass rod to move the tractor manually without starting it. The transmission bypass rod is located on the rear of the tractor, on the frame. Engage the bypass rod by pulling out. See Figure 3-1.

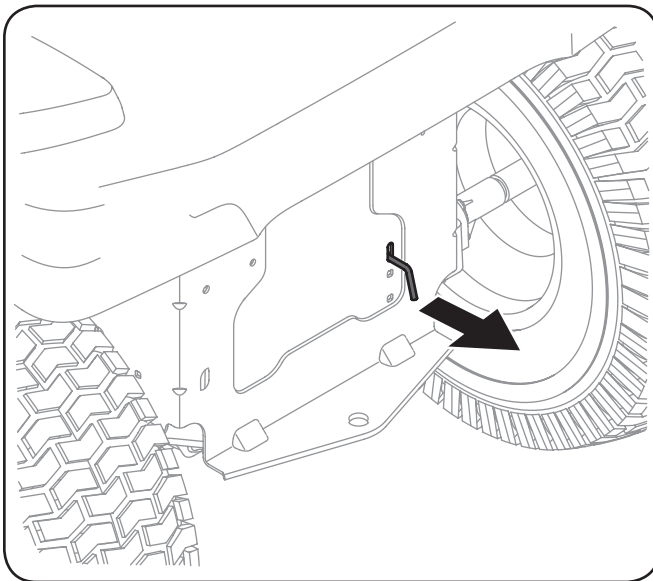


Figure 3-1

NOTE: If the tractor will not move or does not move freely when pushing check if the bypass lever is fully open or the brake is engaged.

NOTE: The transmission will NOT engage when the hydrostatic bypass rod is pulled out. Return the rod to its normal position prior to operating the tractor. If the tractor will not move when pushing on the forward/reverse pedals, or moves slowly, check to see if the bypass valve is on.



CAUTION: Never tow your tractor. Towing the tractor with the rear wheels on the ground may cause severe damage to the transmission.

2. Disengage the bypass rod by pushing the rod back in after moving the tractor. See Figure 3-1.

Install Operator's Seat (If necessary)



WARNING! Before operating the tractor, make sure the seat is engaged in the seat-stop. Engage the parking brake. Stand behind the machine and pull back on seat until it clicks into place.

To install the seat proceed as follows:

NOTE: The seat is shipped with the seat switch and seat pan attached.

1. Cut any straps securing the seat assembly to the tractor. Remove any packing material.

NOTE: Be careful not to cut the wiring harness connecting the seat and the seat switch.

2. Remove the two shoulder screws and flange lock nuts in the seat pan as shown in Figure 3-2.

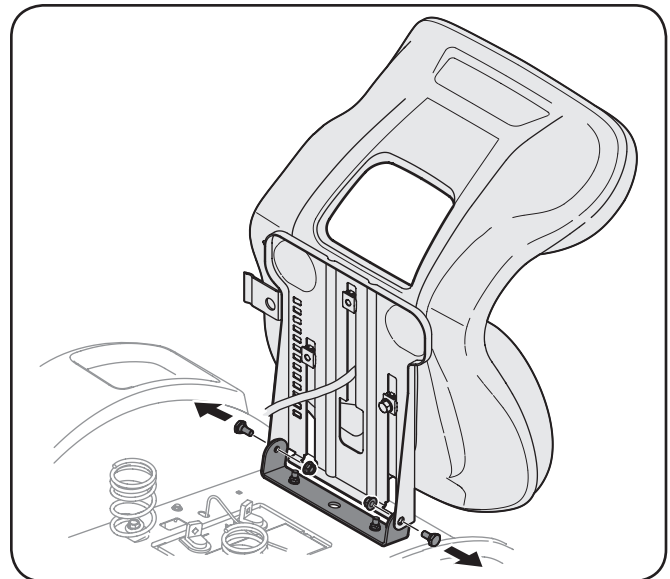


Figure 3-2

NOTE: Be sure that the nylon flange bearings (if equipped) remain in place on the seat bracket mounting holes. If they come out during the removal of the shoulder screws and flange lock nuts make sure to replace them before installing the seat.

3. Rotate the seat into position and secure the seat into place with the previously removed shoulder screws and flange lock nuts. Be careful not to crimp or damage the wire harness while installing the seat. See Figure 3-3.

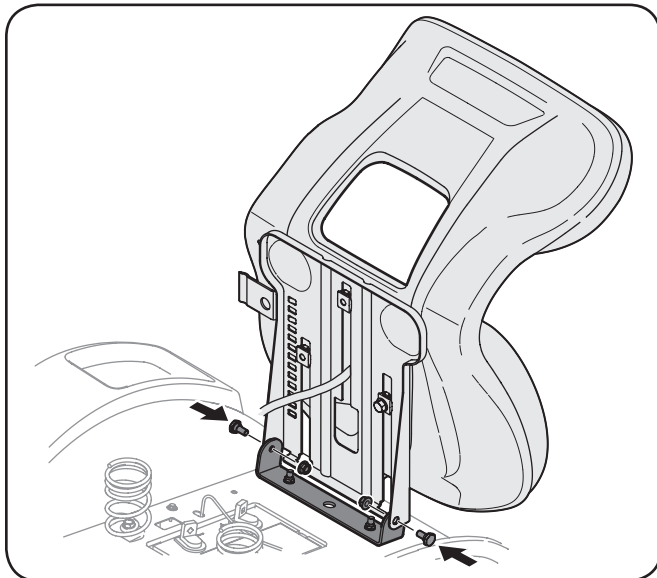


Figure 3-3

4. Using the harness clip attached to the harness, secure the excess wire to the fender by snapping the harness clip in place as shown in Figure 3-4.

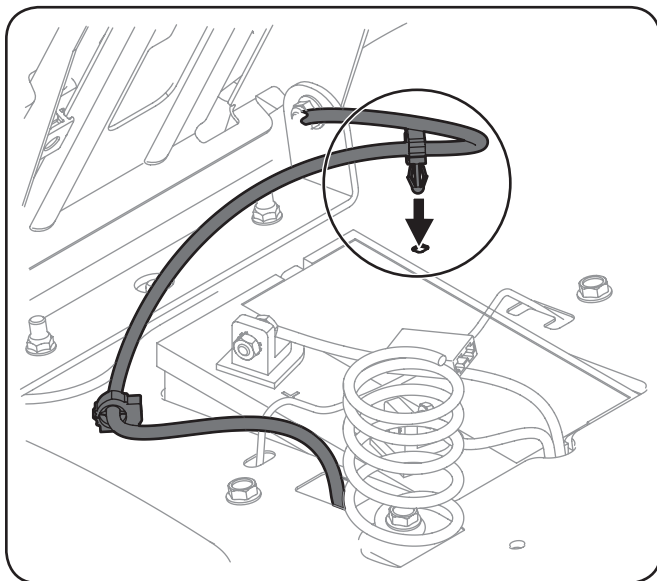


Figure 3-4

Lower Deck Discharge Chute Deflector



WARNING! Never operate the mower deck without the chute deflector installed and in the down position.

Check the mower deck for shipping braces (with tags) that may be holding the chute deflector upward for shipment. If a brace is present, they must be removed before operating the tractor. Holding the chute deflector fully upward, remove the shipping brace by grasping it and rotating it clockwise. Lower the chute deflector. See Figure 3-5.

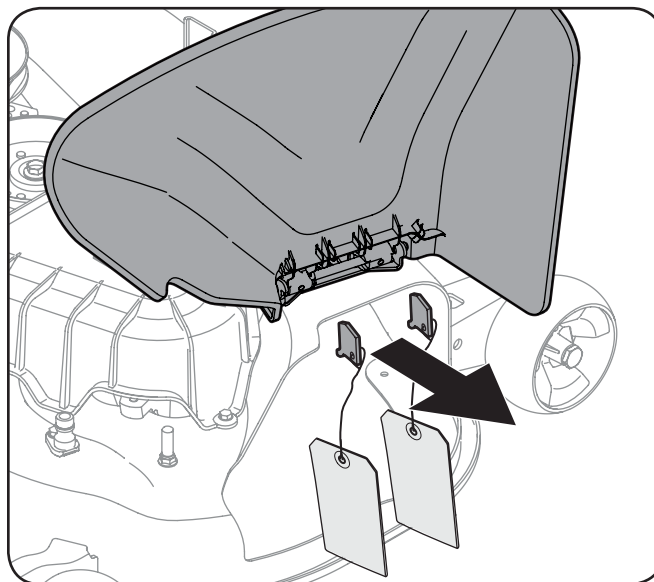


Figure 3-5

Installing the Hood Topper (If necessary)

To install the hood topper (1), line up the holes on the hood topper (1) up with the tabs (2) in the hood frame as shown in Figure 3-6. Insert the tabs (2) into the hood topper and pull back to lock into place.

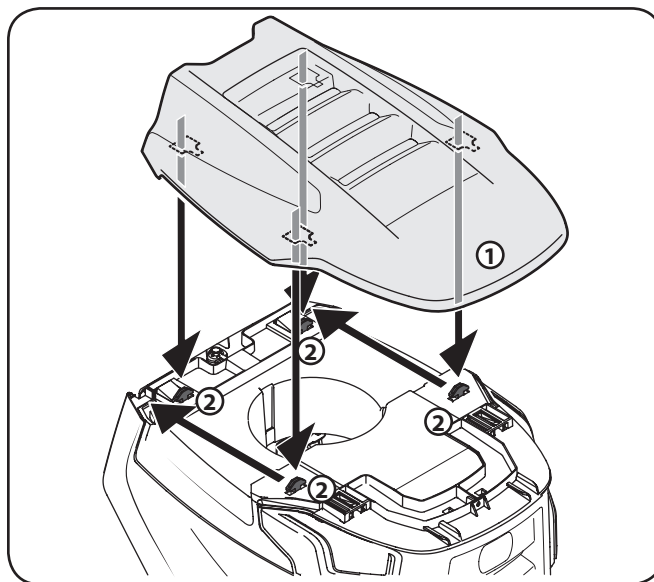


Figure 3-6

Installing the Dash Cap (If necessary)

To install the dash cap (1), line up the tabs (2) on the dash cap (1) with the holes in the upper dash as shown in Figure 3-7. Slide the tabs (2) into the holes in the upper dash and push forward on the dash cap (1) to lock into place.

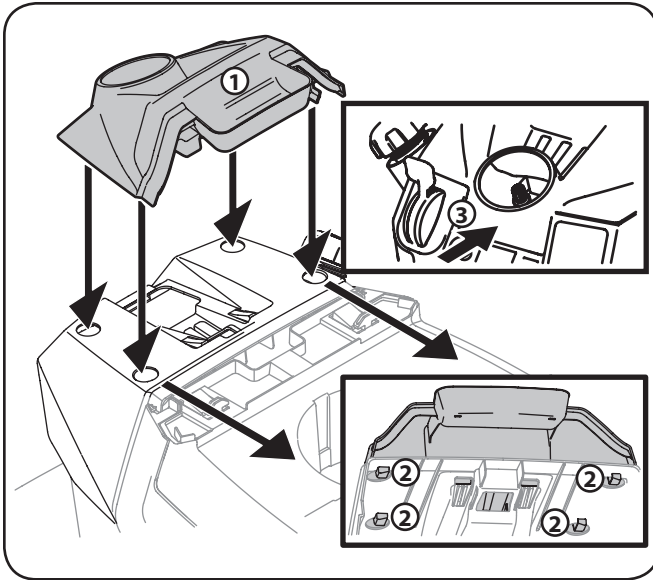


Figure 3-7

NOTE: Be sure to press on the lower part of the dash cap (3) facing the operator position to ensure the lower tabs on the dash cap are in place.

Installing the Steering Wheel (If necessary)

The hardware for attaching the steering wheel has been packed within the steering wheel, beneath the steering wheel cap. Carefully pry off the steering wheel cap and remove the hardware.

1. With the wheels of the tractor pointing straight forward, align the steering wheel by using the center-line on the front of the steering wheel pointing straight ahead and the flat section of the steering wheel facing toward the seat, place the steering wheel over the steering shaft. See Figure 3-8.

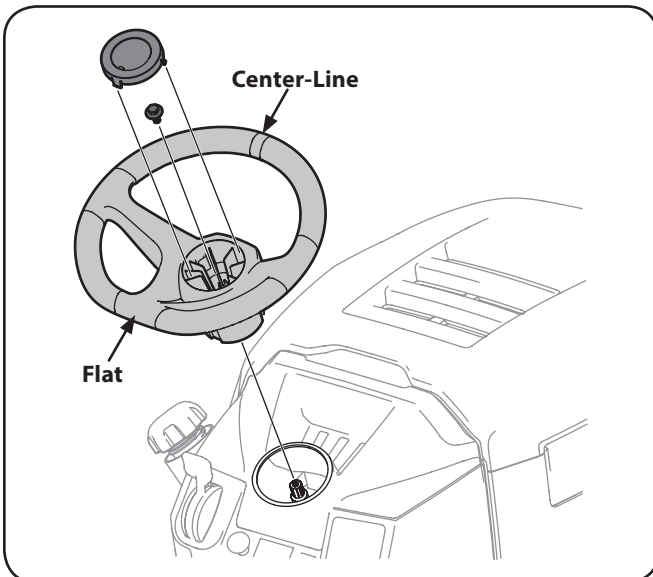


Figure 3-8

2. Secure the steering wheel with the hex bolt from under the cap and torque to 18-22 ft./lbs.
3. Place the steering wheel cap over the center of the steering wheel and push downward until it "clicks" into place.

NOTE: The bolt securing the steering wheel has thread locker applied to it, so if it is removed, it is recommended that the bolt be replaced or thread lock re-applied.

Installing the Front Bumper (If necessary)

The hardware for attaching the front bumper is shipped installed into the bumper.

1. Remove the four hex screws from the bumper.
2. Position the bumper brackets to the *inside* of the tractor's frame and secure it in place with the four hex flange screws. See Figure 3-9.

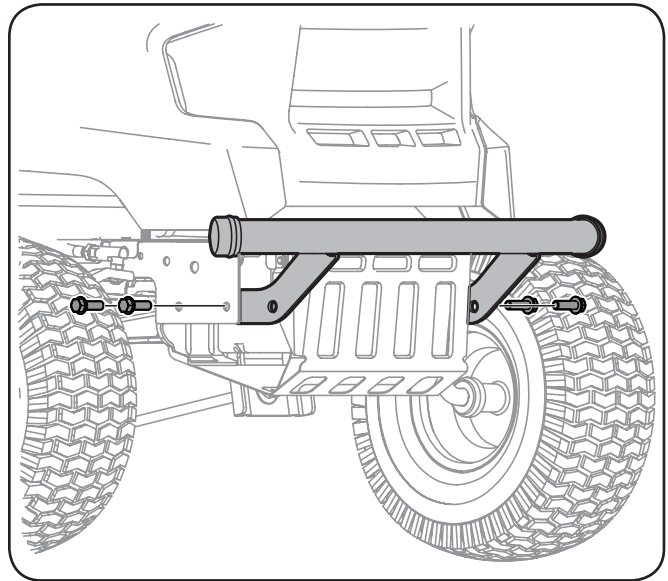


Figure 3-9

Adjusting the Seat

To adjust the position of the seat, lift the seat adjustment lever up. Slide the seat forward or rearward to the desired position; then release the adjustment lever. Make sure seat is locked into position before operating the tractor. See Figure 3-10.

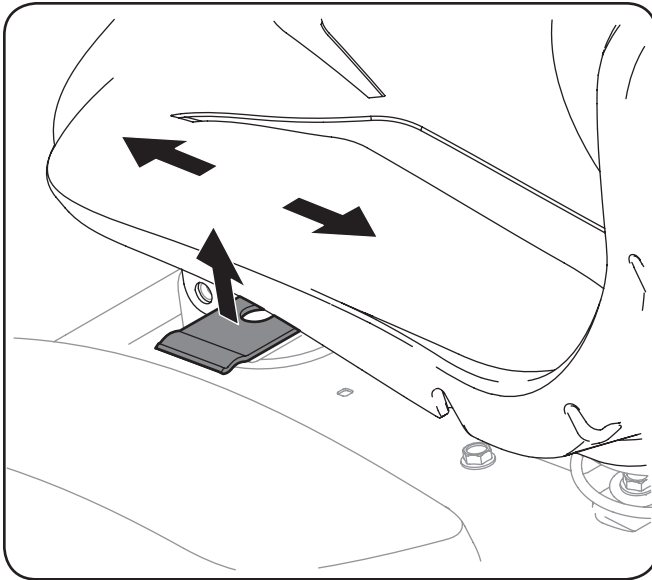


Figure 3-10

Connecting the Battery Cables



CALIFORNIA PROPOSITION 65 WARNING! Battery posts, terminals, and related accessories contain lead and lead compounds, chemicals known to the State of California to cause cancer and reproductive harm. Wash hands after handling.



CAUTION: When attaching battery cables, always connect the POSITIVE (Red) wire to its terminal first, followed by the NEGATIVE (Black) wire.

For shipping reasons, both battery cables on your equipment may have been left disconnected from the terminals at the factory. To connect the battery cables, proceed as follows:

NOTE: The positive battery terminal is marked Pos. (+). The negative battery terminal is marked Neg. (-).

NOTE: If the positive battery cable is already attached, skip ahead to step 2.

1. Remove the plastic cover, if present, from the positive battery terminal and attach the red cable to the positive battery terminal (+) with the bolt and hex nut. See Figure 3-11.

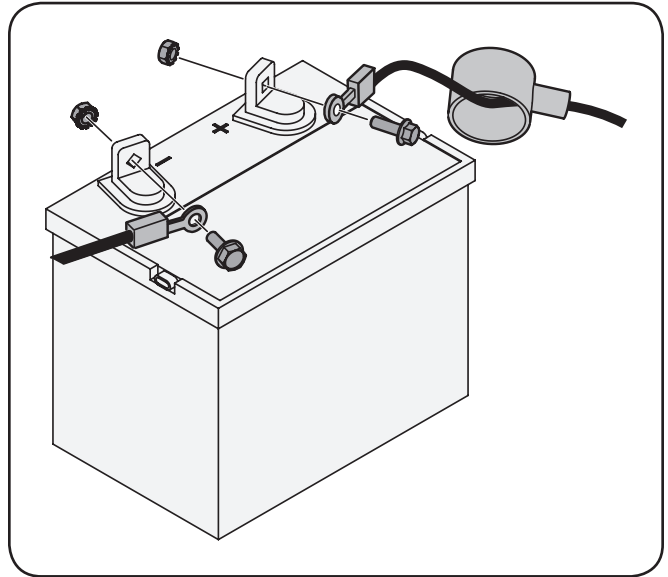


Figure 3-11

2. Remove the plastic cover, if present, from the negative battery terminal and attach the black cable to the negative battery terminal (-) with the bolt and hex nut. See Figure 3-11.
3. Position the red rubber boot over the positive battery terminal to help protect it from corrosion.

NOTE: If the battery is put into service after the date shown on top/side of battery, charge the battery as instructed in the Service section your Operator's Manual prior to operating the tractor.

Checking Tire Pressure



WARNING! Equal tire pressure should be maintained at all times. Refer to the tire sidewall for proper pressure.

The tires on your tractor may be over-inflated for shipping purposes. Reduce the tire pressure before operating the tractor. Check the sidewall of tire for maximum p.s.i.

NOTE: Equal tire pressure is critical for level cutting deck performance.

Setting the Deck Wheels



WARNING! Keep hands and feet away from the discharge opening of the cutting deck.

NOTE: The deck wheels are an anti-scalp feature of the deck and are not designed to support the weight of the cutting deck.

Move the tractor on a firm and level surface, preferably pavement, and proceed as follows:

1. Check the tire pressure, make sure the pressure is correct and equal on all tires.
2. Make sure the deck is level, both front-to-back and side-to-side. See the Maintenance & Adjustments section for deck leveling information and instructions.
3. Select the height position of the cutting deck by placing the deck lift lever in the normally desired mowing height setting.
4. Check the wheels for contact or excessive clearance with the surface below. The deck wheels should have between $\frac{1}{4}$ " and $\frac{1}{2}$ " clearance above the ground. Proceed as follows to adjust the wheels:
 - a. Raise the deck lift handle to its highest setting.
 - b. Remove the front and rear deck wheels by removing the flange lock nuts and shoulder bolts that secure them to the deck. See Figure 3-12.

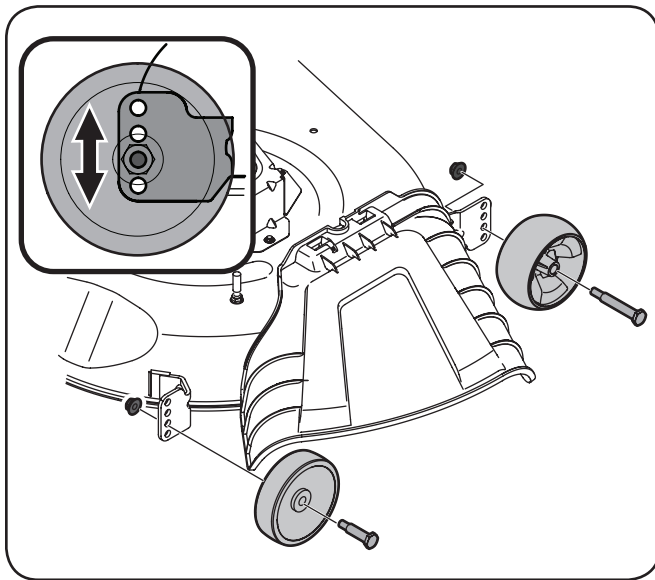


Figure 3-12

- c. Place the deck lift lever in the desired mowing height setting.
- d. Reinsert the shoulder bolt (with each deck wheel) into the index hole that leaves approximately $\frac{1}{2}$ -inch between the bottom of the wheel and the pavement. Tighten the flange lock nut and shoulder bolt to between 25-30 ft-lbs using a torque wrench.

NOTE: Refer to Adjusting the Deck in the Maintenance & Adjustments section of this manual for more detailed instructions regarding various deck adjustments.

Gas & Oil

The fuel tank is located at the outer/left of the dash and holds 3 gallons of gas. Remove the fuel cap by turning it counter-clockwise. Use only clean, fresh (no more than 30 days old), unleaded gasoline. Fill the tank no higher than the bottom of the fill neck to allow space for fuel expansion.

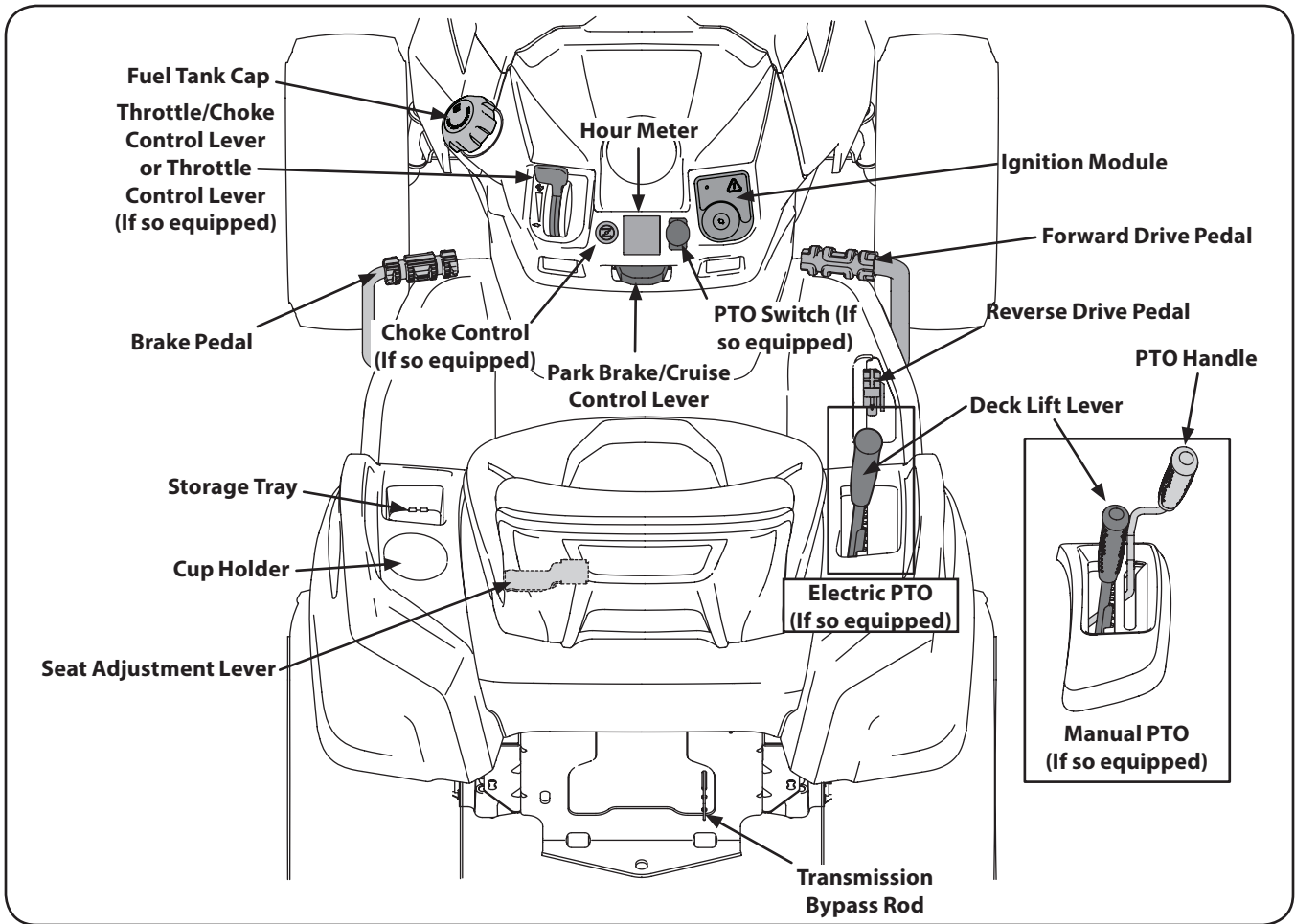


WARNING! Use extreme care when handling gasoline. Gasoline is extremely flammable and the vapors are explosive. Never fuel the machine indoors or while the engine is hot or running. Extinguish cigarettes, cigars, pipes and other sources of ignition.

NOTE: Your tractor is shipped with oil in the engine. However, you **MUST** check the oil level before operating. See the Service section for instructions on checking, adding and changing oil.



CAUTION: Always check the engine oil level before each use as instructed in the engine operator's manual. Add oil as necessary. Failure to do so may result in serious damage to your engine.



NOTE: This Operator's Manual covers several models. Tractor features may vary by model. Not all features in this manual are applicable to all tractor models and the tractor depicted may differ from yours.

NOTE: References to LEFT, RIGHT, FRONT, and REAR indicate that position on the tractor when facing forward while seated in the operator's seat.



WARNING! Read and follow all safety rules and instructions in this manual, including the entire Operation section, before attempting to operate this machine. Failure to comply with all safety rules and instructions may result in personal injury.

Forward Drive Pedal

The forward drive pedal is located on the right side of the machine, along the running board. Press the forward drive pedal forward to cause the tractor to travel forward. Ground speed is also controlled with the forward drive pedal. The further forward the pedal is pivoted, the faster the tractor will travel. The pedal will return to its original/neutral position when it's not pressed.

Reverse Drive Pedal

The reverse drive pedal is located on the right side of the tractor along the running board. Ground speed is also controlled with the reverse drive pedal. The further downward the pedal is pivoted, the faster the tractor will travel. The pedal will return to its original/neutral position when it's not pressed.

Brake Pedal

The brake pedal is located on the left side of the tractor, along the running board. The brake pedal can be used for stopping the tractor or setting the parking brake.


NOTE: The brake pedal must be fully depressed to activate the safety interlock switch when starting the tractor.

Seat Adjustment Lever

The seat adjustment lever is located below the left of the seat. The lever allows for adjustment forward or backward of the operator's seat. Refer to the Assembly & Set-Up section for instructions on adjusting the seat position.

Throttle/Choke Control Lever (If so equipped)

The throttle/choke control lever is located on the left side of the tractor's dash panel. This lever controls the speed of the engine and, when pushed all the way forward, past the detent position closes the choke for cold starting. When set in a given position, the throttle will maintain a uniform engine speed.

NOTE: When operating the tractor with the cutting deck engaged, be certain that the throttle/choke control is always in the FAST  position.



Throttle Control (If so equipped)

The throttle control is located on the left side of the tractor's dash panel. When set in a given position, a uniform engine speed will be maintained.

Push the throttle control handle forward to increase the engine speed. The tractor is designed to operate with the throttle control in the fast position (full throttle) when the mower deck is engaged.

Pull the throttle control handle rearward to decrease the engine speed.



Choke Control (If so equipped)

The choke control is located on the dash panel to the right of the throttle/choke or throttle control and controls the position of the engine choke. Pull the knob out/up to choke the engine; push the knob in/down to open the choke.



Deck Lift Lever

Electric PTO tractors



Manual PTO tractors






The lift lever is located in the right fender and is used to raise and lower the deck. Pull the handle to the left out of the index notch and push downward to lower the deck, or pull upward to raise the deck. When the desired height is attained, move the lift handle to the right until fully in the index notch.

Ignition Module




WARNING! Never leave a running machine unattended. Always disengage PTO, set parking brake, stop engine and remove key to prevent unintended starting.

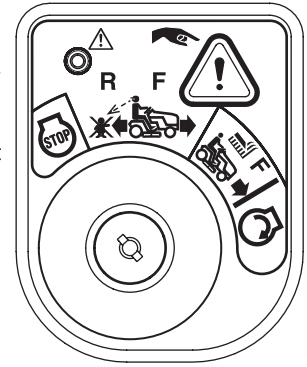
To start the engine, insert the key into the ignition switch and turn clockwise to the START  position. Release the key into the NORMAL MOWING MODE  position once the engine has fired.

To stop the engine, turn the ignition key counterclockwise to the STOP  position.



CAUTION: Prior to operating the tractor, refer to both Safety Interlock Switches and Starting The Engine in the Operation section of this manual for detailed instructions regarding the Ignition Switch Module and operating the tractor in REVERSE

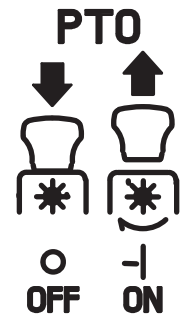
CAUTION MODE 



Power Take-Off (PTO) Switch (Electric PTO tractors)

The PTO switch is located on the dash panel to the right of the LCD Service Minder & Hour Meter.

Activating the PTO engages power to the cutting deck or other (separately available) attachments. See the Operation section for information and instructions on using the PTO.



PTO/Blade Engage Handle (Manual PTO tractors)



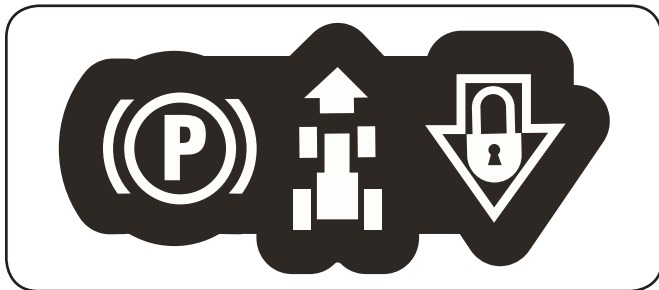
The PTO/blade engage handle is located on the right fender. Activating the PTO engages power to the cutting deck or other (separately available) attachments. See the Operation section for information and instructions on using the PTO.

Transmission Bypass Rod

The transmission bypass rod is located at the rear of the tractor on the lower right section of the frame.

When engaged, the rod opens a bypass within the hydrostatic transmissions, which allows the tractor to be pushed short distances by hand. Refer to the Assembly & Set-Up section for instructions on using the bypass feature.

Park Brake/Cruise Control Lever



Located in the center of the tractor's dash panel below the steering wheel, the park brake/cruise control lever is used to engage the parking brake and the cruise control. Refer to the Operation section of this manual for detailed instructions regarding the parking brake.

NOTE: The parking brake must be set if the operator leaves the seat with the engine running or the engine will automatically shut off.

NOTE: Cruise control can NOT be engaged at the tractor's fastest ground speed.



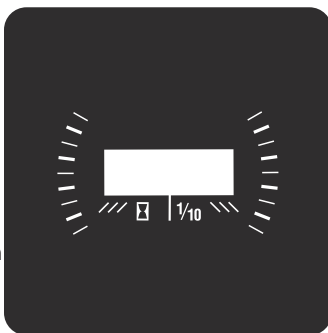
WARNING! Never leave a running machine unattended. Always disengage the PTO, set the parking brake, stop the engine and remove the key to prevent unintended starting.

Hour Meter

LCD Service Minder & Hour Meter (If so equipped)

When the ignition key is rotated out of the STOP position but not into the START position, the LCD Service Minder and Hour Meter will briefly display the battery voltage, followed by the tractor's accumulated hours.

NOTE: Hours of tractor operation are recorded any time the ignition key is rotated out of the STOP position, regardless of whether the engine is started.



The LCD Service Minder will remind the operator of maintenance intervals for changing the engine oil, air filter service, low engine oil and low battery warnings.

Change Oil

The LCD will display the letters "CHG", followed by the letters "OIL", followed by the letters "SOON", then finally followed by the meter's accumulated time. "CHG/OIL/SOON/TIME" will alternate on the display for 7 minutes after the meter reaches 50 hours. This oil service minder interval will occur every 50 hours. Before the interval expires, change the engine oil as instructed in the Maintenance section of the Engine Operator's Manual

Low Oil (If so equipped)

The letters "LO" followed by the letters "OIL", then followed by the meter's accumulated time will indicate the tractor is low on oil. When an engine is not running and immediately after the engine is started the oil pressure may be low. This can trigger the "LO" "OIL" text. This is normal. If the low oil indication persists stop the tractor immediately and check the engine oil level as instructed in the Engine Operator's Manual.

NOTE: The "LOW OIL" function only works if the engine is equipped with an oil pressure switch.

Low Battery

At startup, the battery voltage is briefly displayed then changes to accumulated hours. The letters "LO" will display followed by the letters "BATT" and then followed by the meter's accumulated time. "LO/BATT/TIME" is displayed on the LCD when the voltage drops below 11.5 volts. When this occurs, the battery is in need of a charge or the engine's charging system is not generating sufficient amperage. Charge the battery as instructed in the Service section of this manual or have the charging system checked by your local service dealer.

Air Filter Service

The letters "CLN" will display, followed by the letters "AIR", followed by "FILT", then followed by the meter's accumulated time. "CLN/AIR/FILT/TIME" will alternate on the display for 7 minutes after the meter reaches 50 hours. This air filter service minder time interval will be every 50 hours. On intervals that are common with oil service, the oil message will be displayed first followed by the air filter message.

LCD Service Minder & Hour Meter w/ Bluetooth® (If so equipped)

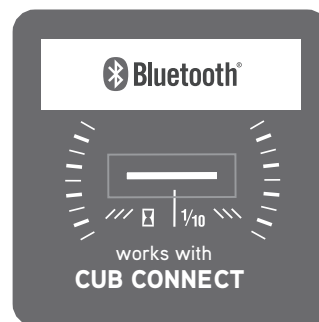
Connect your Bluetooth® enabled LCD service minder & hour meter to your smartphone by downloading the Cub Connect™ App for your Bluetooth® capable Android or iOS device.

Cub Connect™ is the innovative new way to interact with your Cub Cadet outdoor power equipment directly through your mobile device.

The app's automated maintenance dashboard and log will help you keep your machine running at peak performance and protect your investment by tracking total hours across the lifetime of your equipment.

Receive alert notifications when it's time to perform essential maintenance tasks. Your dashboard provides real time monitoring and indicates when it's time for you to check or change the oil, air filter, blades or battery. Cub Connect™ also enables you to locate and contact Cub Cadet Service Centers, access step-by-step instructions to perform routine maintenance and purchase replacement parts directly from your mobile device.

Simply download the app and follow the quick step-by-step instructions on how to sync your mobile device with your equipment.






WARNING! Avoid serious injury or death. Go up and down slopes, not across. Avoid sudden turns. Do not operate the tractor where it could slip or tip. If machine stops going uphill, stop the PTO and back down the hill safely. Keep safety devices (guards, shields and switches) in place and working. Remove objects that could be thrown by the blades. Know the location and function of all controls. Be sure the blades and the engine are stopped before placing hands or feet near blades. Before leaving the operator's position, disengage the PTO, engage parking brake, shut off the engine and remove the key.

Safety Interlock Switches

This tractor is equipped with a safety interlock system for the protection of the operator. If the interlock system should ever malfunction, do not operate tractor. Contact your Cub Cadet dealer.

- The safety interlock system prevents the engine from cranking or starting unless the parking brake is engaged, and the PTO is in the DISENGAGED (OFF) position.
- The engine will automatically shut off if the operator leaves the seat before engaging the parking brake.
- On electric PTO models, the PTO clutch will automatically shut off if the operator leaves the tractor's seat with the PTO in the ENGAGED (ON) position, regardless of whether the parking brake is engaged. On Manual PTO models, the PTO will disengage if the operator leaves the tractor's seat with the PTO in the ENGAGED (ON) position, regardless of whether the parking brake is engaged.
- With the ignition key in the NORMAL MOWING  position, the PTO clutch will automatically shut off if the PTO is moved into the ENGAGED (ON) position with the drive pedal in position for reverse travel.




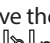
WARNING! Do not operate the tractor if the interlock system is malfunctioning. This system was designed for your safety and protection.

Starting the Engine





WARNING! Do not operate the tractor if the interlock system is malfunctioning. This system was designed for your safety and protection.


NOTE: Refer to the Assembly & Set-up section of this manual for Gasoline and Oil fill-up instructions.


1. Insert the tractor key into the ignition switch module.
2. Place the PTO in the disengaged (OFF) position (See page 19 for electric PTO & page 20 for manual PTO tractors).
3. Fully engage the tractor's brake (See page 19).
4. Pull the choke control (if so equipped) up/out into the CHOKE  position or move the throttle/choke control (if so equipped) into the CHOKE  position.

NOTE: If the engine is warmed up, it may not be necessary to choke the engine.


5. Turn the ignition key clockwise to the START  position. After the engine starts, release the key. It will return to the NORMAL MOWING  position.



CAUTION: Do NOT hold the key in the START  position for longer than ten seconds at a time. Doing so may cause damage to your engine's electric starter.

6. After the engine starts, move the throttle/choke control (if so equipped) down into the FAST  position or push the choke control (if so equipped) down/in the OFF position.



NOTE: Do NOT leave the choke control on while operating the tractor. Doing so will result in a "rich" fuel mixture and cause the engine to run poorly and can damage the engine.

NOTE: When operating the tractor be certain that the throttle lever is always in the FAST  position. Operating with the throttle at less than full throttle may lead to shortened battery life.

Stopping the Engine



WARNING! If you strike a foreign object, stop the engine and disconnect the spark plug wire(s). Thoroughly inspect the machine for any damage. Repair the damage before restarting and operating


1. If the blades are ENGAGED (ON), place the PTO in the DISENGAGED (OFF) position.
2. Place the throttle near the SLOW  position.
3. Engage the parking brake.
4. Turn the ignition key counterclockwise to the STOP  position.
5. Remove the key from the ignition switch to prevent unintended starting.

Reverse Caution Mode

The REVERSE CAUTION MODE  position of the ignition module allows the tractor to be operated in reverse with the blades (PTO) engaged.



NOTE: Mowing in reverse is not recommended.



WARNING! Use extreme caution while operating the tractor in the REVERSE CAUTION MODE . Always look down and behind before and while backing. Do not operate the tractor when children or others are around. Stop the tractor immediately if someone enters the area.

To use the REVERSE CAUTION MODE :

NOTE: The operator **MUST** be seated in the tractor seat.

1. Start the engine as previously instructed on the previous page.
2. Turn the key from the NORMAL MOWING  (Green) position to the REVERSE CAUTION MODE  (Yellow) position of the ignition module. See Figure 5-1.

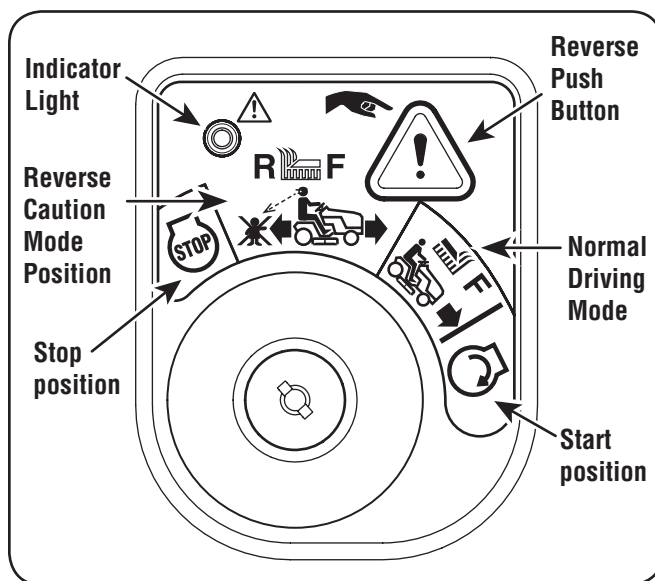







Figure 5-1


3. Press the REVERSE PUSH BUTTON  at the top, right corner of the ignition module. The red indicator light at the top, left corner of the ignition module will be ON while activated. See Figure 5-1.
4. Once activated (indicator light ON), the tractor can be driven in reverse with the cutting blades (PTO) engaged.
5. Always look down and behind before and while backing to make sure no children are around. After resuming forward motion, return key to the NORMAL MOWING  position.

6. The REVERSE CAUTION MODE  will remain activated until:
 - a. The key is placed in either the NORMAL MOWING  position or STOP  position or
 - b. The operator leaves the seat (electric PTO)/the parking brake is set (manual PTO).

Driving The Tractor



WARNING! Avoid sudden starts, excessive speed and sudden stops.

1. Lightly press the brake pedal to release the parking brake. Move the throttle into the FAST  position.
2. To travel FORWARD, slowly press the forward drive pedal forward until the desired speed is achieved. See Figure 5-2.

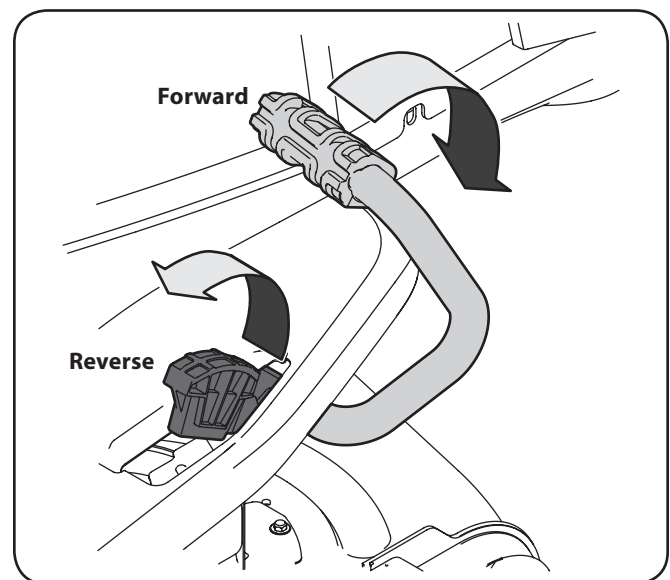


Figure 5-2

3. To travel in REVERSE, check that the area behind is clear then slowly depress the reverse drive pedal until the desired speed is achieved. See Figure 5-2.



CAUTION: Do NOT attempt to change the direction of travel when the tractor is in motion. Always bring the tractor to a complete stop before changing from forward to reverse or vice versa.



WARNING! Do not leave the seat of the tractor without first placing the PTO in the DISENGAGED (OFF) position and engaging the parking brake. If leaving the tractor unattended, also turn the engine off and remove the ignition key.

Driving On Slopes

Refer to the SLOPE GAUGE on page 8 to help determine slopes where you may operate the tractor safely.



WARNING! Do not mow on inclines with a slope in excess of 15 degrees (a rise of approximately 2-1/2 feet every 10 feet). The tractor could overturn and cause serious injury.

- Mow up and down slopes, NEVER across.
- Exercise extreme caution when changing direction on slopes.
- Watch for holes, ruts, bumps, rocks, or other hidden objects. Uneven terrain could overturn the machine. Tall grass can hide obstacles.
- Avoid turns when driving on a slope. If a turn must be made, turn down the slope. Turning up a slope greatly increases the chance of a roll over.
- Avoid stopping when driving up a slope. If it is necessary to stop while driving up a slope, start up smoothly and carefully to reduce the possibility of flipping the tractor over backward.

Engaging the Parking Brake

NOTE: The parking brake must be set if the operator leaves the seat with the engine running or the engine will automatically shut off.

To set the parking brake:

1. Press the brake pedal completely down with your left foot and hold it in that position.
2. Press down on the parking brake/cruise control lever and hold it in that position.
3. Remove your foot from the brake pedal.
4. Release pressure from the parking brake/cruise control lever.

After completing step 3, the brake pedal should remain in the down position. If it doesn't, the parking brake is *not* engaged. Repeat steps 1-4 to engage.

To disengage the parking brake, lightly press the brake pedal.



WARNING! Never leave a running machine unattended. Always disengage the PTO, set the parking brake, stop the engine and remove the key to prevent unintended starting

Setting The Cruise Control



WARNING! Never engage the cruise control lever while traveling in reverse.

To set the cruise control:

1. Slowly press the forward drive pedal with your right foot until the desired speed is achieved.
2. Press down on the parking brake/cruise control lever and hold it in that position.
3. Remove your foot from the forward drive pedal.

4. Release pressure from the parking brake/cruise control lever.

After completing step 3, the forward drive pedal should remain in the down position and the tractor will maintain the same forward speed. If it doesn't, the cruise control is *not* engaged. Repeat steps 1-4 to engage the cruise control.

To disengage the cruise control, lightly press the forward drive pedal or the brake pedal.



NOTE: Cruise control can not be set at the tractor's fastest ground speed. If the operator should attempt to do so, the tractor will automatically decelerate to the fastest optimal mowing ground speed.

To change the direction of travel from forward to reverse when cruise control is engaged, press the brake pedal to disengage and bring the tractor to a complete stop. Then slowly press the reverse drive pedal with the ball of your foot to travel in reverse.

Using the Deck Lift Lever


To raise or lower the cutting deck, move the lift lever to the left, then place it in the notch best suited for your application.

Operating the Headlights

The lamps are ON whenever the ignition key is rotated out of the STOP  position. The lamps turn OFF when the ignition key is moved to the STOP  position.

Engaging the PTO (Electric PTO tractors)

Engaging the PTO transfers power to the cutting deck or other (separately available) attachments. To engage the PTO:

1. Move the throttle to the FAST  position.
2. Pull the PTO switch up/out into the engaged (ON) position. See Figure 5-3.

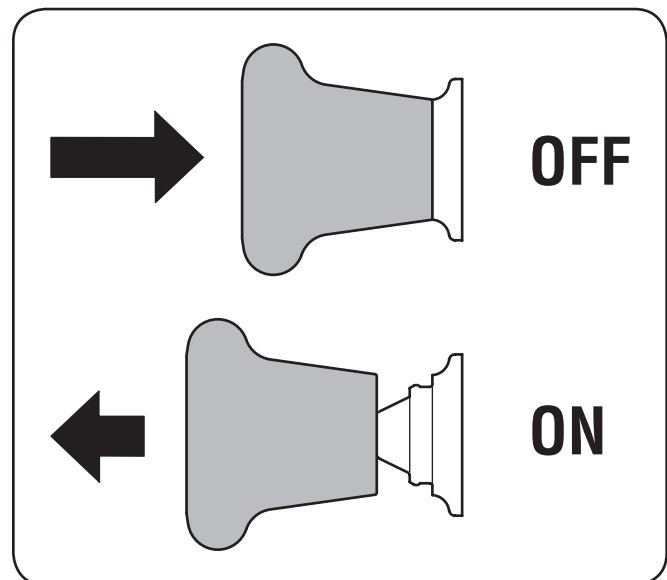




Figure 5-3

NOTE: When operating the tractor be certain that the throttle is always in the FAST  position. Operating with the throttle at less than full throttle may lead to premature battery wear and a poor quality cut.

3. To disengage the PTO, push the PTO switch down/in to the disengaged (OFF) position.

Engaging the PTO (Manual PTO tractors)

Engaging the PTO transfers power to the cutting deck or other (separately available) attachments. To engage the PTO:

1. Move the throttle to the FAST  position.
2. Push the PTO handle forward into the engaged (ON) position. See Figure 5-4.

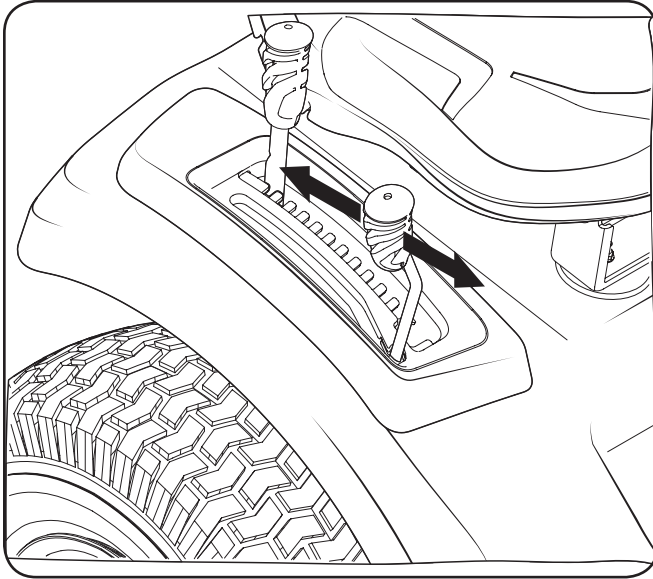



Figure 5-4

NOTE: When operating the tractor be certain that the throttle is always in the FAST  position. Operating with the throttle at less than full throttle may lead to premature battery wear and a poor quality cut.


3. To disengage the PTO, pull the PTO handle rearward into the disengaged (OFF) position.

Mowing



WARNING! Make certain the area to be mowed is free of debris, sticks, stones, wire or other objects that can be thrown by the rotating blades.

NOTE: Do not engage the mower deck when lowered in grass. Premature wear and possible failure of the belt and PTO clutch will result. Fully raise the deck or move to a non-grassy area before engaging the mower deck.

1. Mow up and down slopes, not across.
2. Avoid turns when driving on a slope. If a turn must be made, turn down the slope. Turning up a slope greatly increases the chance of a roll over.
3. Avoid stopping when driving up a slope. If it is necessary to stop while driving up a slope, start up the slope smoothly and carefully to reduce the possibility of flipping the tractor over backward.
4. Place the throttle into the FAST  position and engage the PTO.
5. Lower the mower deck to the desired height setting using the deck lift handle.

6. Slowly press the forward drive pedal with your right foot until the desired speed is achieved.
NOTE: The speed of the tractor will affect the quality of the mower cut. Mowing at full speed will adversely affect the cut quality. Control the ground speed with forward drive pedal.
7. When approaching the other end of the strip, slow down or stop before turning.
8. Align the mower with an edge of the mowed strip and overlap approximately 3".
9. Direct the tractor on each subsequent strip to align with a previously cut strip.
10. To prevent rutting or grooving of the turf, if possible, change the direction that the strips are mowed by approximately 45° for the next and each subsequent mowing.



WARNING! Be careful when crossing gravel paths or driveways. Disengage the PTO and raise the deck to the highest position before crossing.

NOTE: When stopping the tractor for any reason while on a grass surface, always:

- Make sure the drive pedals are in neutral.
- Engage the parking brake.
- Shut the engine off and remove the key.
- Doing so will minimize the possibility of having your lawn "browned" by hot exhaust from your tractor's running engine.

Maintenance Schedule

	Before Each use	After First 5 Hours	Every 10 Hours	Every 25 Hours	Every 50 Hours	Every 100 Hours	Prior to Storing	See Engine Manual
Check & Clean Engine Cooling Fans for Debris	✓						✓	
Check Engine Oil Level	✓							
Check Air Filter for Dirty, Loose or Damaged Parts	✓							
Clean Battery Terminals			✓				✓	
Grease All Lubrication Points				✓			✓	
Clean Hood/Dash Panel Louvers			✓				✓	
Check Intake Screen/Clean as Needed			✓				✓	
Check Blades/Sharpen or Replace as Needed			✓				✓	
Check Tire Pressure			✓				✓	
Check/Clean Top & Underside of Deck			✓					
Inspect & Lube Deck Wheels				✓			✓	
Check Deck Level/Pitch				✓			✓	
Check Belts & Pulleys for Damage/Wear					✓			
Check That All Hardware is in Place & Secure						✓		
Check Spark Plug Condition & Gap						✓	✓	✓
Engine Break-In Oil Change		✓						✓
Change Engine Oil					✓		✓	✓
Replace Oil Filter					✓		✓	✓
Clean or Change Air Filter					✓			✓
Replace Fuel Filter					✓			✓
Have Valve Lash Checked & Adjusted *								✓

* -- Have this item performed by an authorized service dealer

NOTE: This Operator's Manual covers several models. Tractor features may vary by model. Not all features in this manual are applicable to all tractor models and the tractor depicted may differ from yours.



WARNING! Before performing any maintenance or repairs, disengage the PTO, set the parking brake, stop the engine and remove the key to prevent unintended starting.

Battery



CALIFORNIA PROPOSITION 65 WARNING! Battery posts, terminals, and related accessories contain lead and lead compounds, chemicals known to the State of California to cause cancer and reproductive harm. Wash hands after handling.

The battery is sealed and is maintenance-free. Acid levels cannot be checked and fluid can not be added.

- Always keep the battery cables and terminals clean and free of corrosive build-up.
- After cleaning the battery and terminals, apply a light coat of petroleum jelly or grease to both terminals.



CAUTION: If removing the battery for cleaning, disconnect the NEGATIVE (Black) wire from its terminal first, followed by the POSITIVE (Red) wire. When re-installing the battery, always connect the POSITIVE (Red) wire its terminal first, followed by the NEGATIVE (Black) wire. Be certain that the wires are connected to the correct terminals; reversing them could result in serious damage to your engine's alternating system.

Engine

Refer to the Engine Operator's Manual for all engine maintenance procedures and instructions.

NOTE: If the "LOW OIL" text appears immediately after the engine is started the oil pressure may be low. This is normal. If the low oil indication persists stop the tractor immediately and check the engine oil level as instructed in the Engine Operator's Manual.

NOTE: The "Low Oil" function only works if the engine is equipped with an oil pressure switch.

Changing the Engine Oil



WARNING! If the engine has been recently run, the engine, muffler and surrounding metal surfaces will be hot and can cause burns to the skin. Exercise caution to avoid burns.

To complete an oil change, proceed as follows:

1. Run the engine for a short time to warm the engine oil. The oil will flow more freely and carry away more impurities. Use care to avoid burns from hot oil.
2. Locate the oil drain hose on the left side of the engine.
3. Place an appropriate oil collection container with at least a 2.5 quart capacity below the opening of the oil drain tube, to collect the used oil. Remove the oil fill cap/dipstick from the oil fill tube.

4. Remove the oil drain hose from the clip on the left side of the frame. See Figure 6-1.

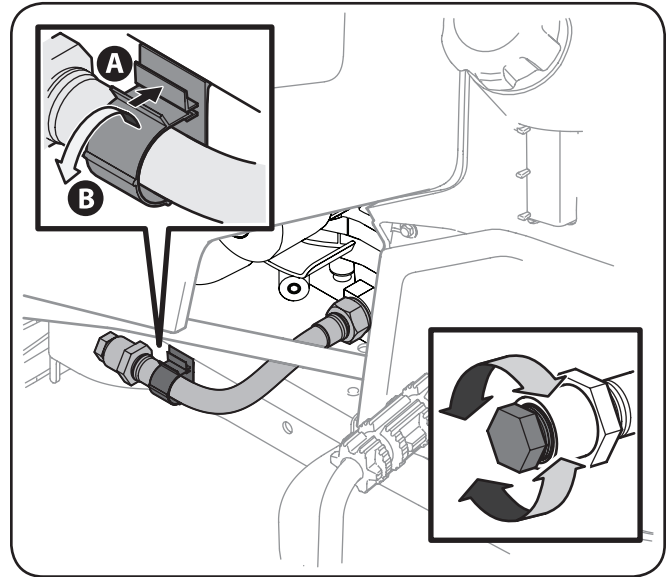


Figure 6-1

5. Remove the oil drain hose plug from the end of the hose. See Figure 6-1. Drain the engine oil into the collection container.
6. After draining the oil, wipe any residual oil from the oil drain hose. Replace the plug on the drain hose and fully tighten. Replace the oil drain hose into the clip and snap the clip to secure.
7. Replace the oil filter, and refill the engine with new oil as instructed in the engine operator's manual.
8. To refill the oil, re-install the plug at the end of the tube and refer to the engine operator's manual for refilling instructions, oil type and amount.

NOTE: Maintenance, repair, or replacement of the emission control devices and systems which are being done at owner's expense may be performed by any engine repair establishment or individual. **Warranty repairs must be performed by a Cub Cadet Dealer.**

Hydrostatic Transmission

The hydrostatic transmission is sealed at the factory and is maintenance-free. The fluid level cannot be checked and the fluid cannot be changed.

Hydrostatic Neutral Adjustment

If the tractor creeps forward or rearward when neither the forward nor reverse pedal is depressed, contact your local Cub Cadet dealer to have the neutral setting properly adjusted.

Cleaning the Tractor

Any fuel or oil spilled on the machine should be wiped off promptly. Do NOT allow debris to accumulate around the cooling fins of the engine, the transmission's cooling fan or on any other part of the machine.

Smart Jet

Your tractor's deck is equipped with a water port on its surface as part of its deck wash system.

Use the Smart Jet to rinse grass clippings from the deck's underside and prevent the buildup of corrosive chemicals. Complete the following steps AFTER EACH MOWING:

1. Drive the tractor to a level, clear spot on your lawn, near enough for your garden hose to reach.



CAUTION: Make certain the tractor's discharge chute is directed AWAY from people, your house, garage, parked cars, etc.

2. Disengage the PTO, set the parking brake and stop the engine.
3. Thread the hose coupler (packaged with your tractor's Operator's Manual) onto the end of your garden hose.
4. Attach the hose coupler to the water port on your decks surface. See Figure 6-2.

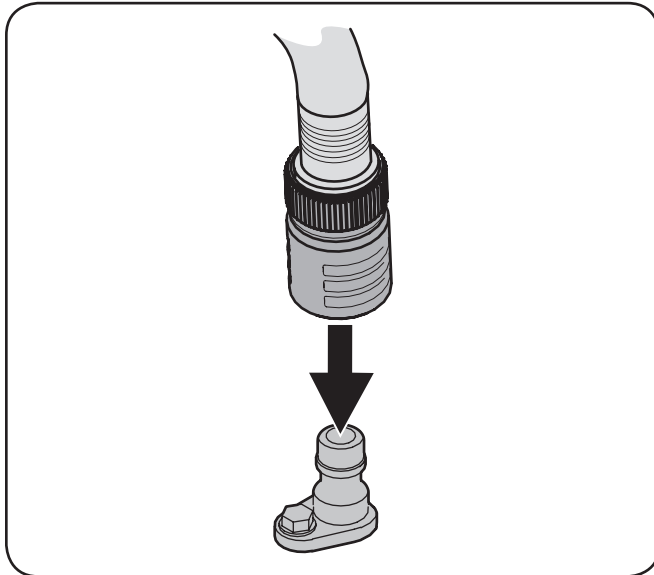




Figure 6-2

5. Turn the water on.
6. While sitting in the operator's position on the tractor, start the engine and place the throttle lever in the FAST  position.
7. Move the tractor's PTO into the engaged (ON) position.
8. Remain in the operator's position with the cutting deck engaged for a minimum of two minutes, allowing the underside of the cutting deck to thoroughly rinse.
9. Move the tractor's PTO into the disengaged (OFF) position.
10. Turn the ignition key to the STOP  position to turn the tractor's engine off.

11. Turn the water off and detach the hose coupler from the water port on your deck's surface.
NOTE: On 50" and 54" decks there are two water ports; one on each side of the deck.
12. After cleaning your deck with the Smart Jet system, return to the operator's position and engage the PTO. Keep the cutting deck running for a minimum of two minutes, allowing the underside of the cutting deck to thoroughly dry.

Lubrication



WARNING! Before lubricating, repairing, or inspecting, always disengage the PTO, set the parking brake, stop the engine and remove the key to prevent unintended starting.

Front Wheels

Each of the front wheel axles and rims is equipped with a grease fitting. See Figure 6-3 for the location of the grease fitting on the axles and Figure 6-4 for the location of the grease fitting on the rims. Lubricate with a No. 2 multi-purpose grease applied with a grease gun after every 25 hours of tractor operation.

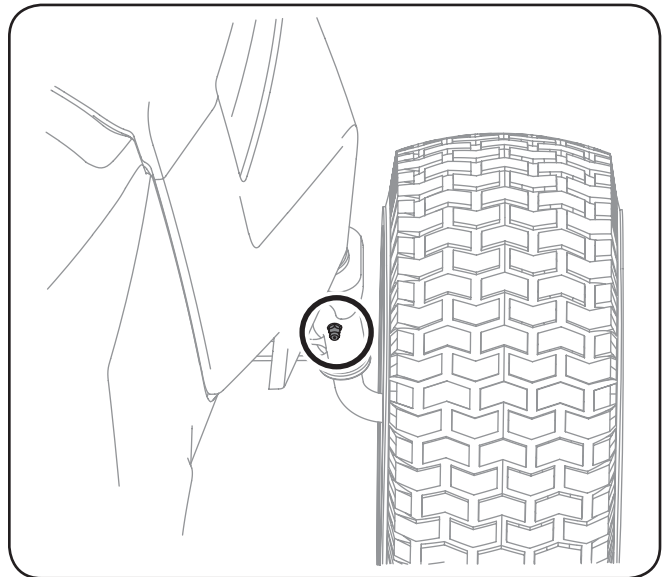


Figure 6-3

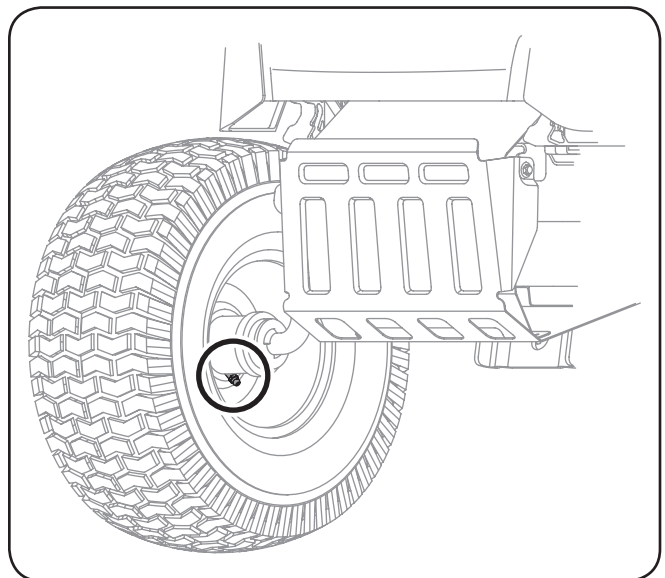


Figure 6-4

Deck Wheels

The wheels on the deck which are spherical shaped (50" and 54" decks have 4) are equipped with a grease fitting. Lubricate with a No. 2 multi-purpose grease applied with a grease gun after every 25 hours of tractor operation.

Pivot Points & Linkage

Lubricate all the pivot points on the drive system, parking brake and lift linkage at least once a season with light oil.

Adjustments



WARNING! Shut the engine off, remove the ignition key and engage the parking brake before making adjustments. Protect your hands by using heavy gloves when handling the blades.

NOTE: Check the tractor's tire pressure before performing any deck leveling adjustments. Refer to Tires on page 11 for information regarding tire pressure.

Adjusting the Deck

Leveling the Deck (Front-To-Rear)

The front of the cutting deck is supported by a stabilizer bar that can be adjusted to level the deck from front to rear. The front of the deck should be between $\frac{1}{4}$ " and $\frac{3}{8}$ " lower than the rear of the deck. Adjust if necessary as follows:

1. Park the tractor on a firm, level surface and place the deck lift lever in the middle position and rotate the blade nearest the discharge chute so that it is parallel with the tractor.
2. Measure the distance from the front of the blade tip to the ground and the rear of the blade tip to the ground. The front of the deck should be between $\frac{1}{4}$ " and $\frac{3}{8}$ " less than the rear of deck.

Determine the approximate distance necessary for proper adjustment and proceed, if necessary.

1. To *raise* the front of the deck, loosen the outer nut then tighten (thread inward) the nut against the front hanger bracket. See Figure 6-5. When proper adjustment is achieved, re-tighten the outer nut to 25-30 ft.-lbs.

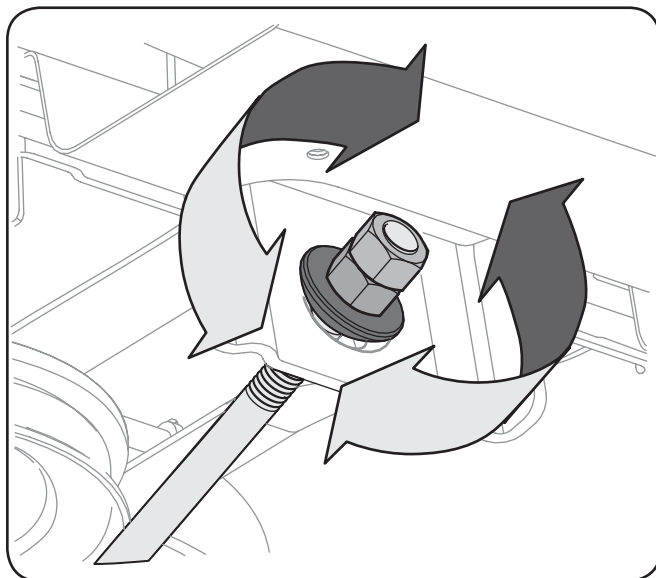


Figure 6-5

2. To *lower* the front of the deck, loosen the outer nut then loosen (thread outward) the nut, away from the front hanger bracket. See Figure 6-5. When proper adjustment is achieved, re-tighten the outer nut.

Leveling the Deck (Side-to-Side)

If the cutting deck appears to be mowing unevenly, a side to side adjustment can be performed. Adjust if necessary as follows:

1. With the tractor parked on a firm, level surface, place the deck lift lever in the middle position and rotate both blades so that they are perpendicular with the tractor.
2. Measure the distance from the outside of the left blade tip to the ground and the distance from the outside of the right blade tip to the ground. Both measurements taken should be equal. If they're not, proceed to the next step.
3. Under the rear fenders inside the wheels there is a lift adjustment rod for each side of the deck. See Figure 6-6.

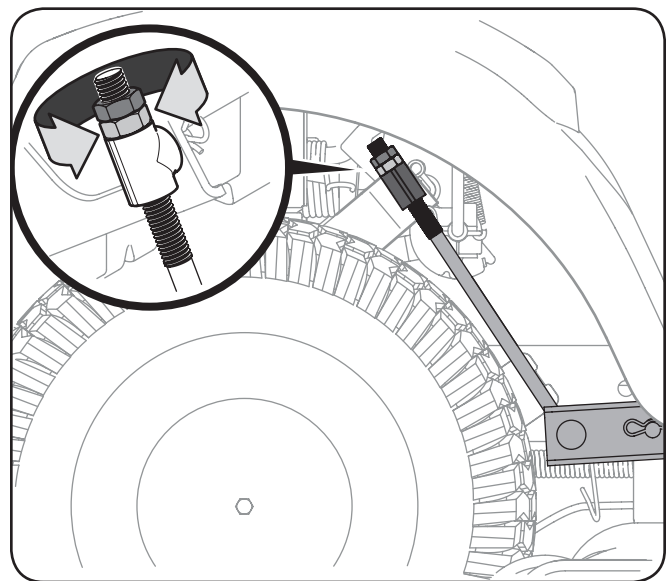


Figure 6-6

4. Minor side-to-side adjustments should be made using primarily the left adjustment rod.
5. To raise the left side of the deck, loosen the upper nut on the end of the lift rod, then turn the lower nut clockwise. When the proper adjustment is achieved, tighten the upper nut to secure in place. To lower the left side of the deck, loosen the upper nut on the end of the lift rod, then turn the lower nut counterclockwise. When the proper adjustment is achieved, tighten the upper nut to 25-30 ft.-lbs. to secure in place.
6. The deck is properly leveled when both blade tip measurements taken earlier are equal.

Adjusting the Deck Height

The height of the deck can be adjusted to ensure that the setting on your deck height lever is accurate. To adjust the deck height proceed as follows:

1. Park the tractor on a firm, level surface and place the deck lift lever in the highest position (4") and rotate the blade nearest the discharge chute so that it is perpendicular with the tractor.

2. Measure the distance from the outside of the left blade tip to the ground and the distance from the outside of the right blade tip to the ground. Both measurements taken should be 4". If they're not, proceed to the next step.
3. Using the right and left lift rods, raise or lower the necessary side of the deck until both sides are measured at 4" from the pavement.

Adjusting the Deck Wheels



WARNING! Keep hands and feet away from the discharge opening of the cutting deck.

NOTE: The deck wheels are an anti-scalp feature of the deck and are not designed to support the weight of the cutting deck.

The deck wheels should be approximately ¼-½" above the ground when the deck is set in the desired height setting. To adjust the deck wheels see the Assembly & Set-Up section for instructions.

Seat Adjustment

Refer to the Assembly & Set-Up section of this manual for seat adjustment instructions.



WARNING! Before operating the tractor, make sure the seat is engaged in the seat-stop. Engage the parking brake. Stand behind the machine and pull back on seat until it clicks into place.

Parking Brake Adjustment

If the tractor does not come to a complete stop when the brake pedal is completely depressed, or if the tractor's rear wheels can roll with the parking brake applied (and the hydrostatic relief valve open), the brake is in need of adjustment. See your Cub Cadet dealer to have the brake adjusted.

Wheel Alignment

If your tractor pulls to one side or is out of alignment, a wheel alignment might be necessary. Take your tractor to an authorized service dealer to have the wheels properly aligned.

Off-Season Storage

Riding Mower Storage

If your riding mower is not going to be operated for an extended period of time (thirty days to approximately six months), the riding mower should be prepared for storage. Store the riding mower in a dry and protected location. If stored outside, cover the riding mower (including the tires) to protect it from the elements. The procedures outlined below should be performed whenever the riding mower is placed in storage.

1. Change the engine oil and filter following the instructions provided in the Engine Manual.



WARNING! Never store the riding mower with fuel in the tank indoors or in poorly ventilated enclosures, where fuel fumes may reach an open flame, spark or pilot light as on a furnace, water heater, clothes dryer, etc.

2. Service the engine as instructed in the separate engine manual.

3. Engines stored between 30 and 90 days need to be treated with a gasoline stabilizer such as **STA-BIL**® and engines stored over 90 days need to be run empty of fuel to prevent deterioration and gum from forming in fuel system or on essential carburetor parts. If the gasoline in your engine deteriorates during storage, you may need to have the carburetor, and other fuel system components, serviced or replaced.
3. Remove the spark plugs and pour approximately one ounce of oil into each cylinder. Crank the engine one or two turns to spread the oil evenly on the cylinder walls. Replace the spark plugs.
4. Clean the engine and the entire tractor thoroughly.

NOTE: Use of a pressure washer or garden hose is not recommended to clean your riding mower. They may cause damage to electrical components, spindles, pulleys, bearings or the engine. The use of water will result in shortened life and reduce serviceability.
5. Sharpen the blades so that the mower will be ready to use when needed.
6. Protect the metal surfaces. Repair scratches with the appropriate touch-up spray paint.
7. Clean and fully charge the battery, then disconnect the negative cable at the battery to prevent possible discharge. Recharge the battery periodically when in storage.

NOTE: Remove the battery if exposed to prolonged periods of sub-freezing temperatures. Store in a cool, dry location where temperatures are above freezing.
8. Lubricate all lubrication points.
9. Jack the mower up and store it on blocks to take the weight off of the tires.

Removing the Riding Mower from Storage

1. Check the engine oil.
2. Fully charge the battery, lower riding mower off blocks, and inflate the tires to the recommended pressure.
3. Remove the spark plugs and wipe them off. Using the starter, crank the engine to pump the excess oil out of the spark plug holes. Replace the spark plugs and the ignition leads.
4. If drained before storing, fill the fuel tank with clean, fresh gasoline.
5. Start the engine and allow to idle for a few minutes to ensure engine is operating properly.
6. Drive the riding mower without a load to make certain all the riding mower systems are functioning properly.

Battery



CALIFORNIA PROPOSITION 65 WARNING: Battery posts, terminals, and related accessories contain lead and lead compounds, chemicals known to the State of California to cause cancer and reproductive harm. Wash hands after handling.



CAUTION: If removing the battery, disconnect the NEGATIVE (Black) wire from its terminal first, followed by the POSITIVE (Red) wire. When reinstalling the battery, always connect the POSITIVE (Red) wire to its terminal first, followed by the NEGATIVE (Black) wire.

Jump Starting



WARNING! Never jump start a damaged or frozen battery. Be certain the vehicles do not touch, and ignitions are off. Do not allow cable clamps to touch.

1. Connect positive (+) cable to positive (+) post of your tractor's discharged battery.
2. Connect the other end of the cable to the positive (+) post of the jumper battery.
3. Connect the second cable negative (-) to the other post of the jumper battery.
4. Make the final connection on the engine block of the tractor, away from the battery. Attach to an unpainted part to assure a good connection.



CAUTION: If the jumper battery is installed on a vehicle (i.e. car, truck), do NOT start the vehicle's engine when jump starting your tractor.

5. Start the tractor (as instructed in the Operation section of this manual).
6. Remove the jumper cables in reverse order of connection.

Charging



WARNING! Batteries give off an explosive gas while charging. Charge the battery in a well ventilated area and keep away from an open flame or pilot light as on a water heater, space heater, furnace, clothes dryer or other gas appliances.



CAUTION: When charging your tractor's battery, use only a charger designed for 12V lead-acid batteries. Read your battery charger's Owner's Manual prior to charging your tractor's battery. Always follow its instructions and heed its warnings.

If your tractor has not been put into use for an extended period of time, charge the battery as follows:

1. Set your battery charger to deliver a max of 10 amperes.
2. If your battery charger is automatic, charge the battery until the charger indicates that charging is complete. If the charger is not automatic, charge for no fewer than eight hours.

Fuse



WARNING! Before servicing, repairing, or inspecting, always disengage PTO, set parking brake, stop engine and remove key to prevent unintended starting.

A 20 AMP fuse is installed in your tractor's wiring harness to protect the tractor's electrical system from damage caused by excessive amperage.

If the electrical system does not function, or your tractor's engine will not crank, check to be certain that the fuse has not blown. It is located under the seat, attached to the POSITIVE (Red) wire leading to the battery.



CAUTION: Always use a replacement fuse with the same amperage capacity as the blown fuse.

Relays and Switches

There are several safety switches in the electrical system. If a function of the safety interlock system described earlier is not functioning properly, have the electrical system checked by your Cub Cadet Service Dealer.

Cutting Deck Removal

To remove the cutting deck, proceed as follows:

1. Place the PTO in the disengaged (OFF) position and engage the parking brake.
2. Lower the deck by moving the deck lift lever into the bottom notch on the right fender.
3. For tractors with manual PTO's continue with step 4, for electric PTO models skip ahead to step 8.
4. Loosen, but do not remove the flange lock nut on the right idler pulley and the hex screw on the left idler pulley.
5. Remove the hex screw securing the engine pulley keeper rod to the frame. See Figure 7-1.

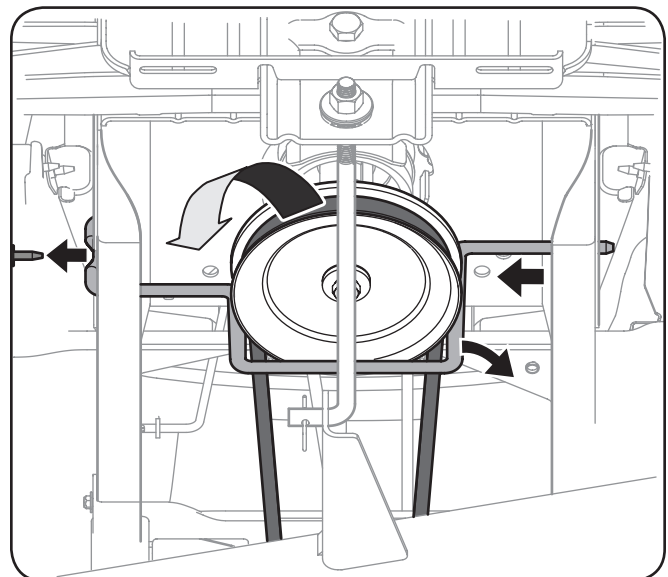


Figure 7-1

6. Slide the rod to the right to remove it.
- NOTE:** Be careful not to damage the wire harness when removing the rod.
7. Remove the bow pin that secures the PTO cable to the bracket on the deck, slide the PTO cable out of the bracket and unhook the spring from the idler bracket. See Figure 7-2.

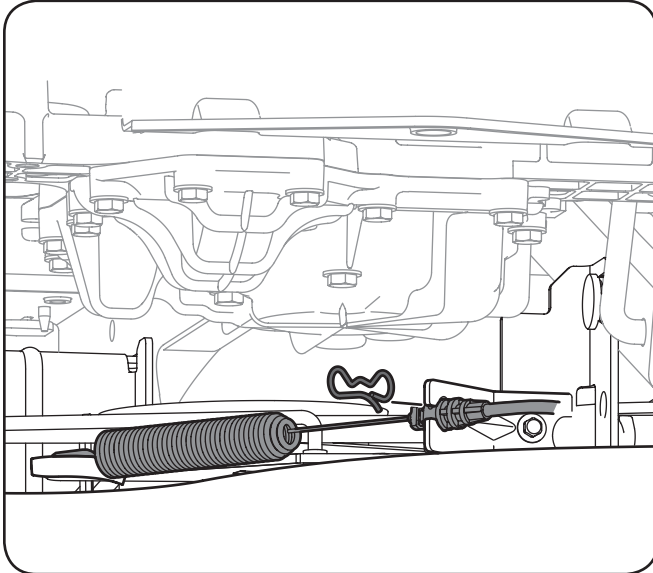


Figure 7-2

8. Working on the right side of the tractor, insert a $\frac{3}{8}$ " drive ratchet wrench, set to *tighten*, into square hole found on the idler bracket. See Figure 7-3.

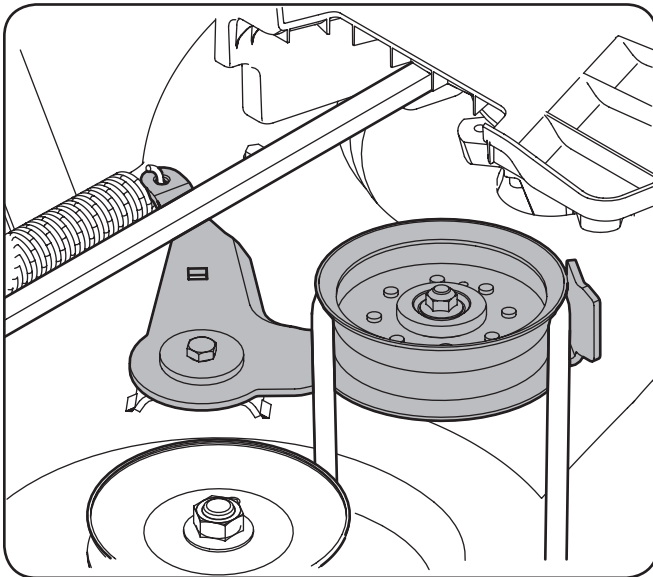


Figure 7-3

9. Pivot the wrench forward to move the deck drive pulley forward. See Figure 7-3.



WARNING! Avoid pinching injuries. Never place your fingers on the idler spring or between the belt and a pulley while installing the belt.

10. Carefully remove the belt from around the PTO pulley.

11. Looking at the cutting deck from the left side of the tractor, locate the bow-tie pin on the rear left side of the deck. See Figure 7-4.

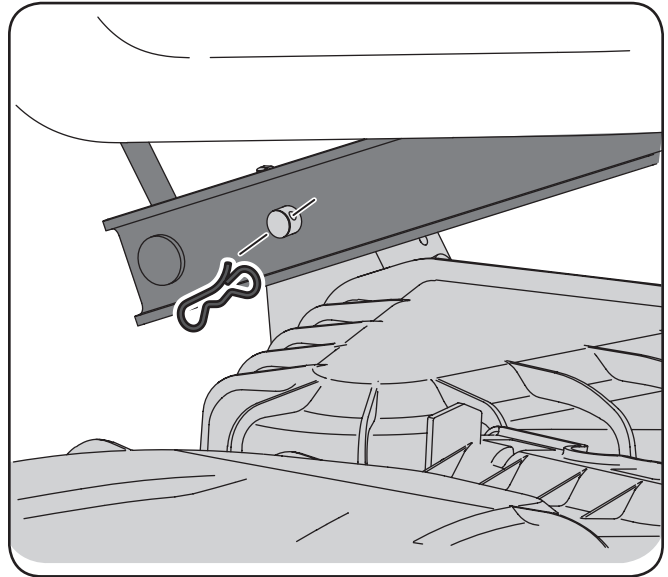


Figure 7-4

12. Remove the pin and slide the deck pin out of the deck lift arm. See Figure 7-4.
13. Repeat the above steps on the tractor's right side.
14. Pull the bow-tie pin out of the front deck lift rod securing it to the deck. See Figure 7-5. Slide the deck lift rod out of the front hanger bracket.

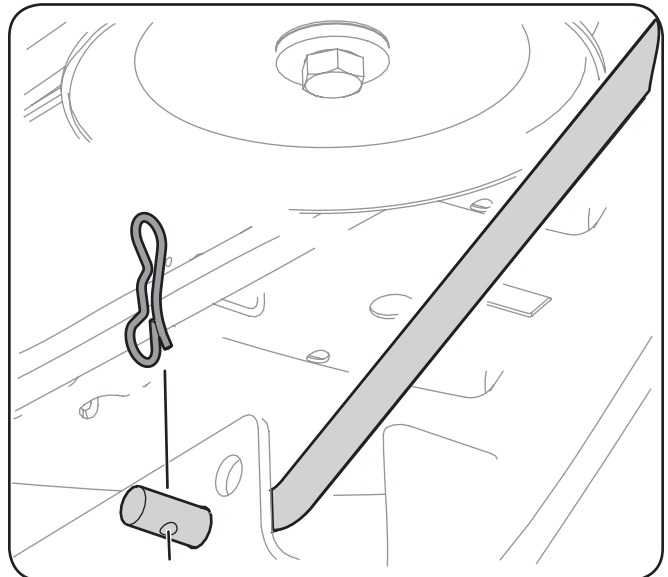


Figure 7-5

15. Move the deck lift lever into the top notch to raise the deck lift up and out of the way.



CAUTION: There is a certain amount of spring tension due to the weight of the deck. When removing the lift linkage from the deck the tension of the springs will go from the deck to the deck lift handle and snap back.

16. Gently slide the cutting deck out from underneath the tractor.

Cutting Blades



WARNING! Shut the engine off and remove ignition key before removing the cutting blade(s) for sharpening or replacement. Protect your hands by using heavy gloves when grasping the blade



WARNING! Periodically inspect the blade and/or spindle for cracks or damage, especially after you've struck a foreign object. Do not operate the machine until damaged components are replaced.

To remove the blades, proceed as follows.

1. Remove the deck from beneath the tractor, (refer to Cutting Deck Removal earlier in this section) then gently flip the deck over to expose its underside.
2. Place a block of wood between the deck housing baffle and the cutting blade to act as a stabilizer. See Figure 7-6.

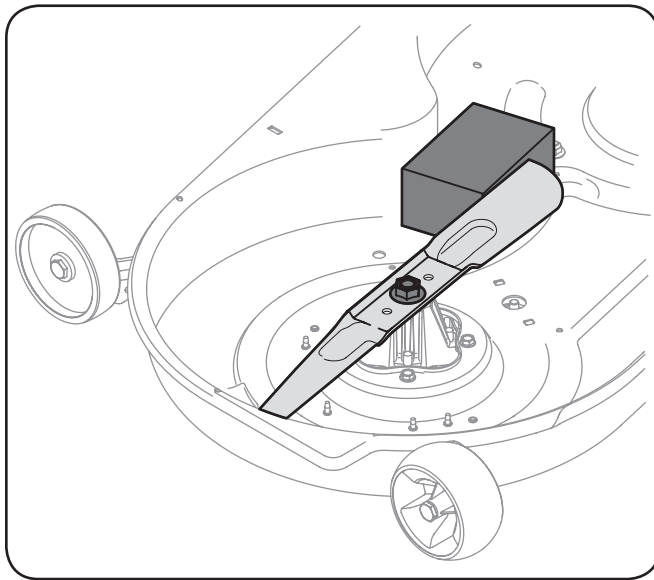


Figure 7-6

3. Remove the hex flange nut that secures the blade to the spindle assembly. See Figure 7-6.

4. To properly sharpen the cutting blades, remove equal amounts of metal from both ends of the blades along the cutting edges, parallel to the trailing edge, at a 25°- to 30° angle. Always grind each cutting blade edge equally to maintain proper blade balance. See Figure 7-7.

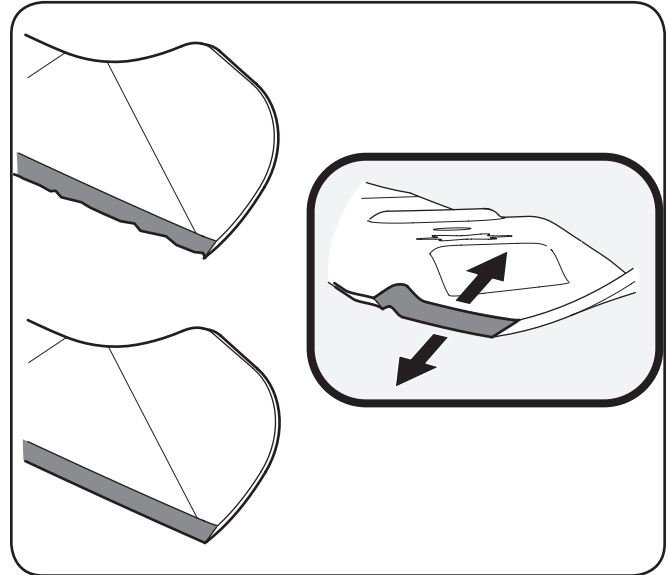


Figure 7-7



CAUTION: If the cutting edge of the blade has previously been sharpened, or if any metal separation is present, replace the blades with new ones.



WARNING! A poorly balanced blade will cause excessive vibration, may damage the tractor and/or result in personal injury.

5. Test the blade's balance using a blade balancer. Grind metal from the heavy side until it balances evenly.

NOTE: When replacing the blade, be sure to install the blade with the side of the blade marked "Bottom" (or with a part number stamped in it) facing the ground when the mower is in the operating position.



CAUTION: Use a torque wrench to tighten the blade spindle hex flange nut to between 70 ft-lbs and 90 ft-lbs.

Changing the Deck Belt



WARNING! The V-belts found on your tractor are specially designed to engage and disengage safely. A substitute (non-OEM) V-belt can be dangerous by not disengaging completely. For a proper working machine, use factory approved belts.

All belts on your tractor are subject to wear and should be replaced if any signs of wear are present. To change or replace the deck belt on your tractor, proceed as follows:

1. Remove the deck as instructed earlier in this section under Cutting Deck Removal.
2. Loosen, but do not remove the hardware on the right and left idler pulley.

NOTE: On some decks it may be necessary to remove the spindle covers to remove and/or install the new belt. To remove the spindle covers, remove the screws securing them to the deck.

- Carefully remove the belt from around the idler pulleys and the spindle pulleys.



WARNING! Avoid pinching injuries. Never place your fingers on the idler spring or between the belt and a pulley while removing the belt.

- Route the new belt as shown in the applicable figure on the following pages. See Figure 7-8 for 42" decks, Figure 7-9 for 46" decks and Figure 7-10 for 50" & 54" decks.

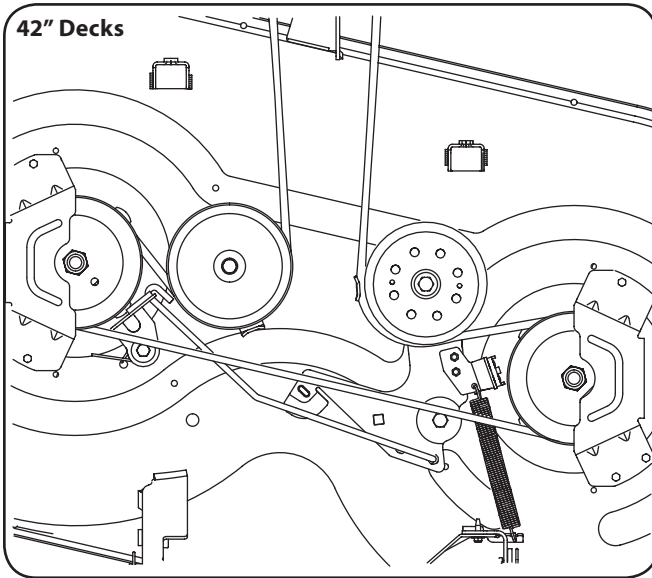


Figure 7-8

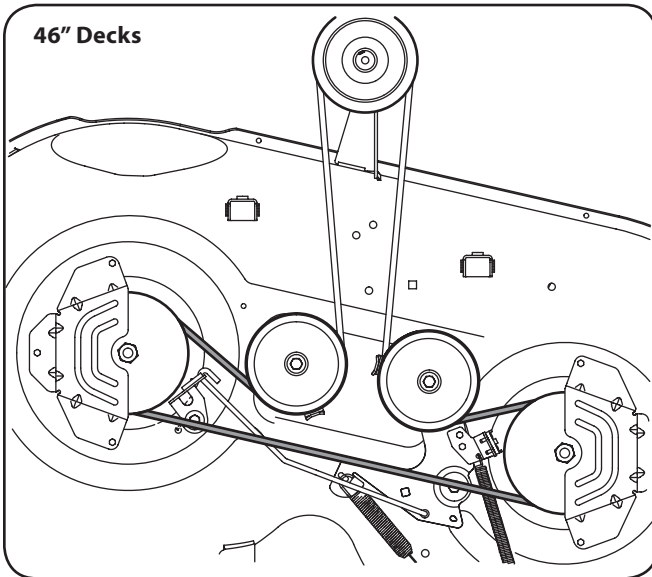


Figure 7-9

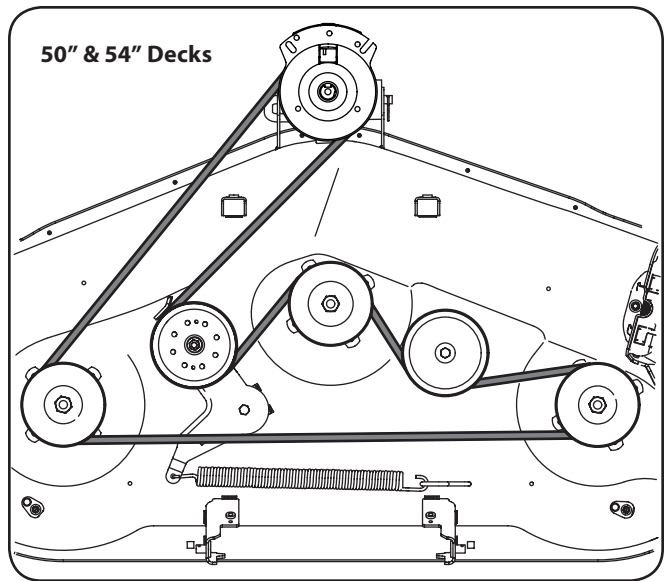


Figure 7-10

NOTE: Use a $\frac{3}{8}$ " drive ratchet wrench as instructed in earlier steps when routing the new belt.

- Retighten idler pulleys, if loosened earlier.
- Remount the spindle covers if removed earlier.
- Re-install the deck making sure the belt remains routed around the pulleys as instructed.
- On manual PTO units, re-install the engine pulley keeper rod and the PTO cable.
- Pull the right side of the belt and place the narrow V side of the belt into the PTO pulley. See Figure 7-11.

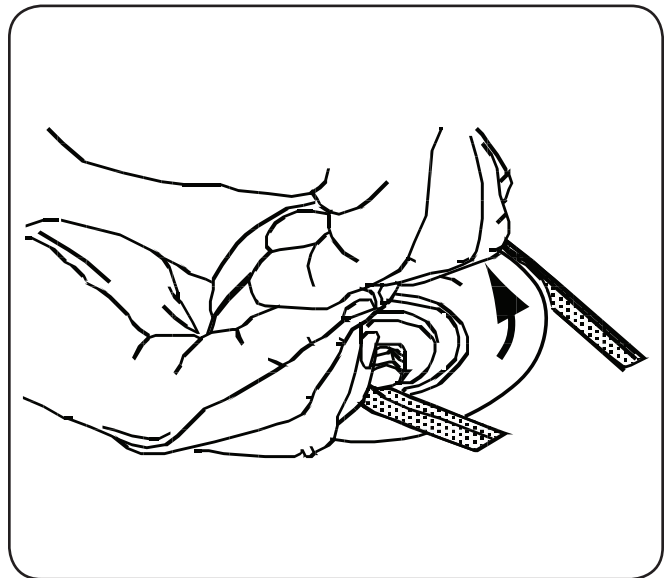




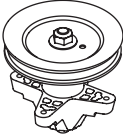

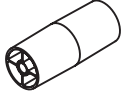
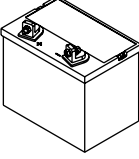

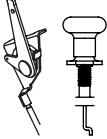
Figure 7-11

- While holding the belt and pulley together, rotate the pulley to the left. Continue holding and rotating the pulley and belt until the belt is fully rolled into the PTO pulley.

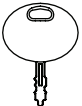
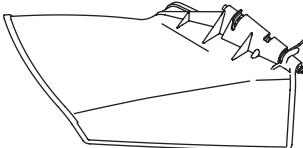
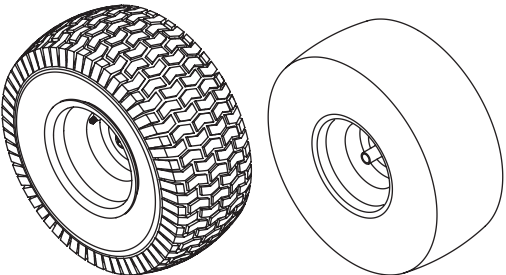
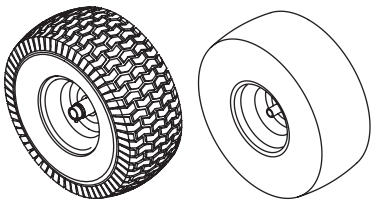

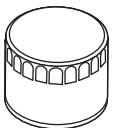
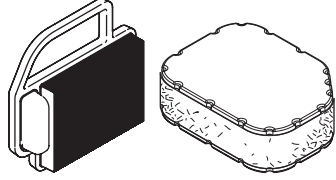
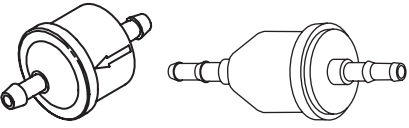
Changing the Transmission Drive Belt

Several components must be removed and special tools used in order to change the tractor's transmission drive belt. See your Cub Cadet dealer to have the transmission drive belt replaced.

Problem	Cause	Remedy
Excessive vibration	<ol style="list-style-type: none">1. Cutting blade loose.2. Damaged, unbalanced or bent cutting blade.	<ol style="list-style-type: none">1. Tighten blade and spindle.2. Replace blade.
Uneven cut	<ol style="list-style-type: none">1. Deck not leveled properly.2. Dull or damaged blade.3. Uneven tire pressure.	<ol style="list-style-type: none">1. Perform side-to-side deck adjustment.2. Sharpen or replace blade.3. Check and correct tire pressure in all four tires.

Component	Part Number and Description	
	954-05021 954-05022A 954-05087A 954-04077A 954-05025A	Deck Belt, 42" Deck Deck Belt, 46" Deck (Manual PTO) Deck Belt, 46" Deck (Electric PTO) Deck Belt, 50" Deck Deck Belt, 54" Deck
	942-04308 942-04308-X 942-04244A 942-04290-X 942-05052A 942-05056A	Blades, 42" Xtreme Blades, 42" Blades, 46" Xtreme Blades, 46" Blades, 50" Blades, 54"
	618-06976 618-06977 618-06981 618-06980 618-06979 618-06978	Deck Spindle, 42" Deck Spindle, 46" Deck Spindle, 50" (20" Tires) Deck Spindle, 50" (22" Tires) Deck Spindle, 54" (20" Tires) Deck Spindle, 54" (22" Tires)
	734-04155 734-0973	Front Deck Wheel Rear Deck Wheel (Manual PTO tractors & LX 46)
	731-05679B	Nose Roller (50" Stamped, 54" FAB & 54" Stamped Decks)
	925-1707D	Battery
	751-14767 751-12426A	Gas Cap (49-State models) Gas Cap (California models)
	746-05097 746-05098 746-05095 746-05114A	Throttle/Choke Control Cable (Kohler Single Engine) Throttle/Choke Control Cable (Kohler Twin Engine) Throttle Control Cable (Kawasaki Twin Engine) Choke Control Cable (Kawasaki Twin Engine)

Phone (800) 965-4CUB to order replacement parts or a complete Parts Manual (have your full model number and serial number ready). Parts Manual downloads are also available free of charge at www.cubcadet.com.

Component	Part Number and Description	
	625-05000	Ignition Key
	631-04354 631-05168	Discharge Chute Assembly, 42" & 46" Discharge Chute Assembly, 50" & 54"
	634-0104 634-05160 634-05107 634-05114	Rear Wheel Assembly, 20.0 x 8.0 x 8.0 (LT Models) Rear Wheel Assembly, 20.0 x 8.0 x 8.0 (LX Models) Rear Wheel Assembly, 22 x 9.5 x 12 (GT Models) Rear Wheel Assembly, 22 x 8.5 x 12 (GX Models)
	634-05149 634-05159 634-05082 634-05163	Front Wheel Assembly, 15 x 6 x 6 (LT Models) Front Wheel Assembly, 15 x 6 x 6 (LX Models) Front Wheel Assembly, 16 x 6.5 x 8 (GT Models) Front Wheel Assembly, 16 x 6.5 x 8 (GX Models)
	KM-BPR4ES 759-3336	Spark Plug (Kawasaki) Spark Plug (Kohler)
	KM-49065-7007 KH-12-050-01-S	Oil Filter (Kawasaki) Oil Filter (Kohler)
	KM-99999-0384 KH-32-883-09-S1 KH-20-883-06-S1	Air Filter (Kawasaki) Air Filter (Kohler Twin) Air Filter (Kohler Single)
	KM-49019-0014 KH-25-050-22-S1 KH-25-050-21-S1	Fuel Filter (Kawasaki) Fuel Filter (Kohler Twin) Fuel Filter (Kohler Single)

Phone (800) 965-4CUB to order replacement parts or a complete Parts Manual (have your full model number and serial number ready). Parts Manual downloads are also available free of charge at www.cubcadet.com.

Part No.	Part
19A30003100	Bagger, 42" & 46"
19A30018100	Bagger, 50" & 54"
19A70041100	Mulch Kit, 42"
19B30005100	Mulch Kit, 46"
19A30005100	Mulch Kit, 50"
19A70042100	Mulch Kit, 54"
19A30025100	Striping Kit, 54" FAB Decks
19A30024100	Striping Kit, 50" & 54" Stamped Decks
19A30017OEM	Snow Blade
19A40024100	Snow Thrower
490-241-0023	Tire Chains
490-900-M060	Weight Kit
490-900-M059	Extra Weight
19A30022OEM	Snow Cab
19A3021OEM	Sun Shade
19A30020OEM	Bumper
19A30019OEM	Manual Sleeve Hitch
490-290-0013	Tractor Cover
490-850-0008	Oil Siphon
490-850-0005	Blade Removal Tool
490-900-0045	Oil Filter Wrench
22216	32 oz. STA-BIL Fuel Additive

FEDERAL and/or CALIFORNIA EMISSION CONTROL WARRANTY STATEMENT
YOUR WARRANTY RIGHTS AND OBLIGATIONS

MTD Consumer Group Inc, the United States Environmental Protection Agency (EPA), and for those products certified for sale in the state of California, the California Air Resources Board (CARB) are pleased to explain the evaporative emission control system (ECS) warranty on your 2014-2015 small off-road equipment (outdoor equipment). In California, new outdoor equipment must be designed, built and equipped to meet the State's stringent anti-smog standards (in other states, outdoor equipment must be designed, built, and equipped to meet the U.S. EPA small off-road spark ignition engine regulations). MTD Consumer Group Inc must warrant the ECS on your outdoor equipment for the period of time listed below, provided there has been no abuse, neglect, or improper maintenance of the outdoor equipment.

Your ECS may include parts such as fuel tanks, fuel lines, fuel caps, valves, canisters, filters, vapor hoses, clamps, connectors, and other associated emission-related components.

Where a warrantable condition exists, MTD Consumer Group Inc will repair your outdoor equipment at no cost to you including diagnosis, parts, and labor.

MANUFACTURER'S WARRANTY COVERAGE:

This emission control system is warranted for two years. If any emission-related part on your outdoor equipment is defective, the part will be repaired or replaced by MTD Consumer Group Inc.

OWNER'S WARRANTY RESPONSIBILITIES:

As the outdoor equipment owner, you are responsible for performance of the required maintenance listed in your owner's manual. MTD Consumer Group Inc recommends that you retain all receipts covering maintenance on your outdoor equipment, but MTD Consumer Group Inc cannot deny warranty solely for the lack of receipts.

As the outdoor equipment owner, you should however be aware that MTD Consumer Group Inc may deny you warranty coverage if your outdoor equipment or a part has failed due to abuse, neglect, improper maintenance, or unapproved modifications.

You are responsible for presenting your outdoor equipment to MTD Consumer Group Inc's distribution center or service center as soon as the problem exists. The warranty repairs should be completed in a reasonable amount of time, not to exceed 30 days. If you have a question regarding your warranty coverage, you should contact the MTD Consumer Group Inc Service Department at 1-800-800-7310 or at <http://support.mtdproducts.com>.

GENERAL EMISSIONS WARRANTY COVERAGE:

MTD Consumer Group Inc warrants to the ultimate purchaser and each subsequent purchaser that the outdoor equipment is: (1) designed, built, and equipped so as to conform with all applicable regulations; and (2) free from defects in materials and workmanship that cause the failure of a warranted part for a period of two years.

The warranty period begins on the date the outdoor equipment is delivered to an ultimate purchaser or first placed into service.

Subject to certain conditions and exclusions as stated below, the warranty on emission-related parts is as follows:

1. Any warranted part that is not scheduled for replacement as required maintenance in the written instructions supplied is warranted for the warranty period stated above. If the part fails during the period of warranty coverage, the part will be repaired or replaced by MTD Consumer Group Inc according to subsection (4) below. Any such part repaired or replaced under warranty will be warranted for the remainder of the period.
 2. Any warranted part that is scheduled only for regular inspection in the written instructions supplied is warranted for the warranty period stated above. Any such part repaired or replaced under warranty will be warranted for the remaining warranty period.
 3. Any warranted part that is scheduled for replacement as required maintenance in the written instructions supplied is warranted for the period of time before the first scheduled replacement date for that part. If the part fails before the first scheduled replacement, the part will be repaired or replaced by MTD Consumer Group Inc according to subsection (4) below. Any such part repaired or replaced under warranty will be warranted for the remainder of the period prior to the first scheduled replacement point for the part.
 4. Repair or replacement of any warranted part under the warranty provisions herein must be performed at a warranty station at no charge to the owner.
 5. Notwithstanding the provisions herein, warranty services or repairs will be provided at all of our distribution centers that are franchised to service the subject engines or equipment.
 6. The outdoor equipment owner will not be charged for diagnostic labor that is directly associated with diagnosis of a defective, emission-related warranted part, provided that such diagnostic work is performed at a warranty station.
 7. MTD Consumer Group Inc is liable for damages to other engine or equipment components proximately caused by a failure under warranty of any warranted part.
 8. Throughout the off-road engine and equipment warranty period stated above, MTD Consumer Group Inc will maintain a supply of warranted parts sufficient to meet the expected demand for such parts.
 9. Any replacement part may be used in the performance of any warranty maintenance or repairs and must be provided without charge to the owner. Such use will not reduce the warranty obligations of MTD Consumer Group Inc.
 10. Add-on or modified parts that are not exempted by the Air Resources Board may not be used. The use of any non-exempted add-on or modified parts by the ultimate purchaser will be grounds for disallowing a warranty claim. MTD Consumer Group Inc will not be liable to warrant failures of warranted parts caused by the use of a non-exempted add-on or modified part.
-

WARRANTED PARTS:

The repair or replacement of any warranted part otherwise eligible for warranty coverage may be excluded from such warranty coverage if MTD Consumer Group Inc demonstrates that the outdoor equipment has been abused, neglected, or improperly maintained, and that such abuse, neglect, or improper maintenance was the direct cause of the need for repair or replacement of the part. That notwithstanding, any adjustment of a component that has a factory installed, and properly operating, adjustment limiting device is still eligible for warranty coverage. Further, the coverage under this warranty extends only to parts that were present on the off-road equipment purchased.

The following emission warranty parts are covered (if applicable):

1. Fuel Metering System
 - Fuel pump
 - Fuel tank
2. Evaporative Control
 - Fuel hose
 - Fuel hose clamps
 - Tethered fuel cap
 - Carbon canister
 - Vapor lines

CUB CADET LLC MANUFACTURER'S LIMITED WARRANTY FOR XT1 AND XT2 SERIES TRACTORS

IMPORTANT: To obtain warranty coverage owner must present an original proof of purchase and applicable maintenance records to the servicing dealer. Please see the operator's manual for information on required maintenance and service intervals.

The limited warranty set forth below is given by Cub Cadet LLC with respect to new merchandise purchased or leased and used in the United States and/or its territories and possessions, and by MTD Products Limited with respect to new merchandise purchased or leased and used in Canada and/or its territories and possessions (either entity respectively, "Cub Cadet").

This warranty is in addition to any applicable emissions warranty provided with your product.

Cub Cadet warrants this product (excluding its *Normal Wear Parts, Batteries, Frame, Front Axle, Drive Shaft* and *Fabricated Deck Shell*, and *Attachments* which are separately described below) against defects in material and workmanship for a period of three (3) years from the date of original retail purchase or lease and will, at its option, repair or replace, free of charge, any part found to be defective in materials or workmanship during that period.

Normal Wear Parts are warranted to be free from defects in material and workmanship for a period of thirty (30) days from the date of original purchase or lease. Normal wear parts include, but are not limited to items such as: belts, blades, blade adapters, grass bags, rider deck wheels, seats, and tires.

Batteries have a one-year prorated limited warranty against defects in material and workmanship, with 100% replacement during the first three months. After three months, the battery replacement credit is based on the months remaining in the twelve (12) month period dating back to the original date of original sale or lease. Any replacement battery will be warranted only for the remainder of the original warranty period.

Frame and Front Axle — Cub Cadet warrants the frame, and front cast iron pivot axle against defects in material and workmanship for a period of five (5) years from the date of original purchase or lease.

Fabricated Deck Shell — Cub Cadet warrants the optional fabricated cutting deck shell (excluding wear parts etc. thereon.) against defects in material and workmanship for the lifetime of the product, namely for as long as it is owned by its initial purchaser or the party for whom it was originally purchased as gift or seven years (7) from the date of its initial sale to a consumer, whichever comes first.

Attachments — Cub Cadet warrants all other approved attachments for this product against defects in material and workmanship for a period of two (2) years, commencing on the date of the attachment's original purchase or lease. Attachments include, but are not limited to items such as: grass collectors and mulch kits.

This limited warranty shall only apply if this product has been operated and maintained in accordance with the Operator's Manual furnished with the product, and has not been subject to misuse, abuse, neglect, accident, improper maintenance, alteration, vandalism, theft, fire, water, or damage because of other peril or natural disaster. Damage resulting from the installation or use of any part, accessory or attachment not approved by Cub Cadet for use with the product(s) covered by this manual will void your warranty as to any resulting damage. In addition, Cub Cadet may deny warranty coverage if the hour meter, or any part thereof, is altered, modified, disconnected or otherwise tampered with.

HOW TO OBTAIN SERVICE: Warranty service is available, WITH PROOF OF PURCHASE AND APPLICABLE MAINTENANCE RECORDS, through your local authorized service dealer. To locate the dealer in your area:

In the U.S.A.

Check your Yellow Pages, or contact Cub Cadet LLC at P.O. Box 361131, Cleveland, Ohio 44136-0019, call 1-877-282- 8684 or log on to our website at www.cubcadet.com.

In Canada:

Contact MTD Products Limited, Kitchener, ON N2G 4J1, call 1-800-668- 1238 or log on to our website at www.mtdcanada.com.

Without limiting the foregoing, this limited warranty does not provide coverage in the following cases:

- a. Routine maintenance items such as lubricants, filters, blade sharpening, tune-ups, brake adjustments, clutch adjustments, deck adjustments, and normal deterioration of the exterior finish due to use or exposure.
- b. Service completed by someone other than an authorized service dealer.
- c. Cub Cadet does not extend any warranty for products sold or exported outside of the United States and/or Canada, and their respective possessions and territories, except those sold through Cub Cadet's authorized channels of export distribution.
- d. Replacement parts and/or accessories that are not genuine Cub Cadet Parts.
- e. Transportation charges and service calls.
- f. When the product has been used for commercial or Institutional applications

There are no implied warranties, including without limitation any implied warranty of merchantability or fitness for a particular purpose. No warranties shall apply after the applicable period of express written warranty above. No other express warranties beyond those mentioned above, given by any person or entity, including a dealer or retailer, with respect to any product, shall bind Cub Cadet. The exclusive remedy is repair or replacement of the product as set forth above.

The terms of this warranty provide the sole and exclusive remedy arising from the sale and/or lease of the products covered hereby. Cub Cadet shall not be liable for any incidental or consequential loss or damage including, without limitation, expenses incurred for substitute or replacement lawn care services or for rental expenses to temporarily replace a warranted product.

Some jurisdictions do not allow the exclusion or limitation of incidental or consequential damages, or limitations on how long an implied warranty lasts, so the above exclusions or limitations may not apply to you.

In no event shall recovery of any kind be greater than the amount of the purchase price of the product sold. **Alteration of safety features of the product shall void this warranty.** You assume the risk and liability for loss, damage, or injury to you and your property and/or to others and their property arising out of the misuse or inability to use the product.

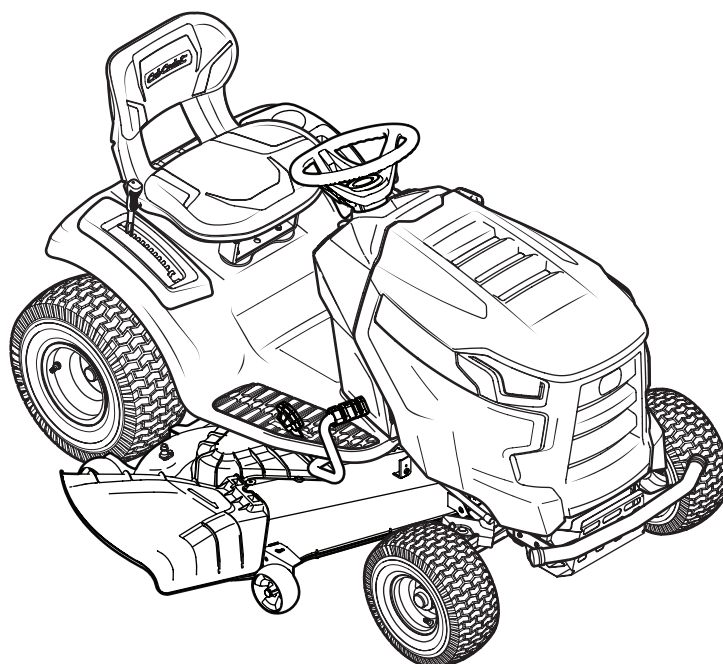
This limited warranty shall not extend to anyone other than the original purchaser or to the person for whom it was purchased as a gift.

HOW LOCAL LAWS RELATE TO THIS WARRANTY: This limited warranty gives you specific legal rights, and you may also have other rights that vary in different jurisdictions.

**Cub Cadet LLC, P.O. BOX 361131 CLEVELAND, OHIO 44136-0019, Phone: 1-877-282-8684
MTD Products Limited, Kitchener, ON N2G 4J1, Phone: 1-800-668-1238**

Cub Cadet[®]

MANUAL DEL OPERADOR



Tractores XT1 y XT2 de la serie Enduro™

⚠ ADVERTENCIA

LEA Y CUMPLA TODAS LAS REGLAS Y LAS INSTRUCCIONES DE SEGURIDAD DE ESTE MANUAL ANTES DE INTENTAR OPERAR ESTA MÁQUINA. SI NO RESPETA ESTAS INSTRUCCIONES PUEDE PROVOCAR LESIONES PERSONALES.

CUB CADET LLC, P.O. BOX 361131 CLEVELAND, OHIO 44136-0019

Gracias

Gracias por comprar un tractor Cub Cadet de la serie Enduro™. La misma ha sido cuidadosamente diseñada para brindar excelente rendimiento si se la opera y mantiene correctamente.

Por favor lea todo este manual antes de hacer funcionar el equipo. El manual le indica cómo configurar, operar y mantener la máquina con seguridad y fácilmente. Por favor asegúrese de que usted, y cualquier otra persona que haga funcionar la máquina, sigue atentamente y en todo momento las medidas de seguridad recomendadas. En caso de no hacerlo podrían producirse lesiones personales o daños materiales.

Toda la información contenida en este manual hace referencia a la más reciente información de producto disponible en el momento de la impresión. Revise el manual frecuentemente para familiarizarse con la máquina, sus características y funcionamiento. Por favor tenga en cuenta que este Manual del Operador puede cubrir una gama de especificaciones para productos de varios modelos. Es posible que las características y funciones incluidas y/o ilustradas en este manual no se apliquen a todos los modelos. Nos reservamos el derecho de modificar las especificaciones de los productos, diseños y equipos

sin previo aviso y sin generar responsabilidad por obligaciones de ningún tipo.

Si corresponde, los datos de prueba utilizados para determinar la potencia de salida del motor equipado en esta máquina se pueden consultar en www.opei.org o en el sitio web del fabricante del motor.

Si tiene algún problema o duda respecto a la máquina, llame a su distribuidor Cub Cadet local o comuníquese directamente con nosotros. En esta página encontrará los números de teléfono, la dirección del sitio web y la dirección postal de la Atención al cliente de Cub Cadet. Queremos garantizar su entera satisfacción en todo momento.

En este manual, todas las referencias al lado *derecho* e *izquierdo* de la máquina se hacen observándola desde la posición de operación.

El fabricante del motor es el responsable de todas las cuestiones relacionadas con el rendimiento, potencia de salida, especificaciones, garantía y mantenimiento del motor. Para más información consulte el Manual del Propietario/Operador entregado por el fabricante del motor y que acompaña, embalado por separado, a su máquina.

Índice

Medidas de seguridad	3	Mantenimiento y Ajustes	21
Montaje y Configuración	9	Servicio	26
Controles y Características	14	Solución de Problemas	30
Operación	17	Garantía	Contratapa

Registro de información de producto

Antes de configurar y hacer funcionar su equipo nuevo, por favor localice la placa de modelo en el equipo y registre la información en el espacio de la derecha. Encontrará la placa de modelo mirando debajo del asiento. Necesitará esta información si tiene que solicitar soporte técnico a través de nuestro sitio web, el Departamento de atención al cliente, o de un distribuidor local de servicio autorizado.

NÚMERO DE MODELO

--	--	--	--	--	--	--	--	--	--	--	--

NÚMERO DE SERIE

--	--	--	--	--	--	--	--	--	--	--	--

Registro de productos y atención al cliente

Por favor registre su producto en nuestro sitio web, www.cubcadet.com.

Si tiene dificultad para armar este producto o tiene dudas respecto a los controles, el funcionamiento o el mantenimiento de esta máquina, puede solicitar la ayuda de expertos. Seleccione una de las opciones siguientes:

◇ Visite nuestro sitio web en www.cubcadet.com



Ver videos sobre mantenimiento e instalación de piezas en www.cubcadet.com/tutorials

◇ Llame a un representante de Asistencia al Cliente al (800) 965-4CUB

◇ Localice a su distribuidor Cub Cadet más cercano llamando al (877) 282-8684

◇ Escriba a Cub Cadet LLC • P.O. Box 361131 • Cleveland, OH • 44136-0019



¡ADVERTENCIA! La presencia de este símbolo indica que se trata de instrucciones de seguridad importantes que debe respetar para evitar poner en riesgo su seguridad personal y/o material y la de los demás. Lea y cumpla todas las instrucciones de este manual antes de intentar operar esta máquina. Si no respeta estas instrucciones puede provocar lesiones personales. Cuando vea este símbolo, **¡TENGA EN CUENTA LA ADVERTENCIA!**

PROPOSICIÓN 65 DE CALIFORNIA



¡ADVERTENCIA! El escape del motor, algunos de los elementos del mismo y algunos componentes del vehículo contienen o liberan sustancias químicas que según el Estado de California pueden producir cáncer, defectos de nacimiento u otros problemas reproductivos.



¡ADVERTENCIA! Los postes, los bornes y los accesorios relacionados a la batería contienen plomo y compuestos de plomo, sustancias químicas que según lo establecido por el Estado de California causan cáncer y daños en el sistema reproductivo. *Lávese las manos después de estar en contacto con estos componentes.*



¡PELIGRO! Esta máquina está diseñada para ser utilizada respetando las normas de seguridad contenidas en este manual. Al igual que con cualquier tipo de equipo motorizado, un descuido o error por parte del operador puede producir lesiones graves. Esta máquina es capaz de amputar manos y pies y de arrojar objetos. De no respetar las instrucciones de seguridad siguientes se pueden ocasionar lesiones graves o la muerte.

Funcionamiento general

1. Lea, entienda y cumpla todas las instrucciones incluidas en la máquina y en el(los) manual(es) antes de intentar realizar el montaje de la unidad y utilizarla. Guarde este manual en un lugar seguro para consultas futuras y periódicas, así como para solicitar repuestos.
2. Familiarícese con todos los controles y con el uso adecuado de los mismos. Sepa cómo detener la máquina y desenganchar los controles rápidamente.
3. No permita nunca que los niños menores de 14 años utilicen esta máquina. Los niños de 14 años en adelante deben leer y entender las instrucciones de funcionamiento y las normas de seguridad contenidas en este manual y en la máquina y deben ser entrenados y supervisados por un adulto.
4. Nunca permita que los adultos operen esta máquina sin recibir antes la instrucción apropiada.
5. Para tratar de evitar el contacto con las cuchillas o una lesión por algún objeto que sea arrojado, mantenga a los observadores, a los ayudantes, niños y mascotas alejados al menos 25 metros de la máquina mientras está en funcionamiento. Detenga la máquina si alguien se acerca.
6. Inspeccione minuciosamente el área donde utilizará el equipo. Saque todas las piedras, palos, cables, huesos, juguetes y demás objetos extraños que podrían ser levantados y arrojados por las cuchillas. Los objetos arrojados por la máquina pueden causar lesiones graves.
7. Planifique el patrón de corte, para evitar que la descarga de material se realice hacia los caminos, las veredas, los observadores, etc. Evite además descargar material contra una pared u obstrucción, ya que esto podría hacer que el material descargado rebote contra el operador.
8. Para protegerse los ojos utilice siempre anteojos o antiparras de seguridad mientras opera la máquina o mientras le hace ajustes o reparaciones. Los objetos arrojados que rebotan pueden causar lesiones graves en los ojos.
9. Utilice zapatos de trabajo resistentes, de suela fuerte, así como pantalones y camisas ajustados. Las prendas sueltas y las alhajas pueden quedar atrapadas en las piezas móviles. Nunca haga funcionar la máquina descalzo o con sandalias.
10. Esté atento a la dirección de descarga del cortacésped y su complementa y no lo apunte a nadie. No haga funcionar el cortacésped sin que la tapa de descarga o todo el colector de césped se encuentre en el lugar que corresponde.
11. No coloque las manos ni los pies cerca de piezas que giran ni debajo de la plataforma de corte. El contacto con las cuchillas puede amputar manos y pies.

12. Una cubierta de descarga faltante o dañada puede provocar lesiones por contacto con la cuchilla o por objetos arrojados.
13. Detenga las cuchillas al cruzar sendas, senderos o caminos de grava y cuando no corte césped.
14. Tenga cuidado con el tráfico cuando opere cerca de rutas o cruzándolas. Esta máquina no está diseñada para ser usada en la vía pública.
15. No haga funcionar la máquinas si se encuentra bajo los efectos del alcohol o las drogas.
16. Úsela solamente con luz natural o con buena luz artificial.
17. Nunca lleve pasajeros.
18. Desacople las cuchillas antes de cambiar a marcha atrás. Retroceda lentamente Siempre mire hacia abajo y hacia atrás antes y mientras retrocede para evitar un accidente.
19. Reduzca la velocidad antes de girar. Haga funcionar la máquina de manera uniforme. Evite funcionar de manera errática y a excesiva velocidad.
20. Desacople las cuchillas, ponga el freno de mano, apague el motor y espere hasta que las cuchillas se detengan por completo antes de retirar el colector de césped, vaciar los recortes, destapar el canal, retirar restos de césped o desechos, o hacer cualquier ajuste.
21. Nunca deje la máquina en funcionamiento sin vigilancia. Siempre desconecte las cuchillas, ponga el freno de mano, pare el motor y retire la llave antes de desmontar.
22. Tenga mucho cuidado al cargar o descargar la máquina en un remolque o camión. Esta máquina no debe conducirse subiendo o bajando rampas, ya que la máquina podría volcar y provocar lesiones personales graves. La máquina se debe empujar a mano en rampas para cargarla o descargarla correctamente.
23. El silenciador y el motor se calientan y pueden causar quemaduras. No los toque.
24. Revise la holgura superior antes de conducir debajo de ramas bajas, cables, cerramientos de puertas, etc., donde el operador puede golpearse o ser tirado de la máquina, lo que podría resultar en lesiones graves.
25. Desacople todos los embragues de los complementos, presione a fondo el pedal del freno y cambie a punto muerto antes de intentar arrancar el motor.
26. Su máquina está diseñada para cortar césped residencial normal de una altura no mayor a 10 pulgadas. No intente cortar césped demasiado crecido, seco (por ejemplo, pastura) ni pilas de hojas secas. El césped o las hojas secas pueden ponerse en contacto con el escape del motor y/o acumularse en la plataforma de corte constituyendo un peligro de incendio en potencia.
27. Utilice solamente accesorios y complementos aprobados por el fabricante para esta máquina. Lea, comprenda y siga todas las instrucciones incluidas con el accesorio o complemento aprobado.
28. Los datos indican que los operadores mayores de 60 años participan de un gran porcentaje de lesiones relacionadas con tractores cortacésped. Estas personas deben evaluar su capacidad para operar el tractor de manera suficientemente segura para protegerse a sí mismos y a otros de lesiones graves.
29. Si se presentan situaciones que no están previstas en este manual, tenga cuidado y use el sentido común. Póngase en contacto con su representante de servicio al cliente para obtener ayuda.

Funcionamiento en pendiente

Las pendientes son un factor importante relacionado con accidentes por pérdida de control y vuelcos que pueden producir lesiones graves o la muerte. Todas las pendientes requieren mayor precaución. Si no puede retroceder por la pendiente o si no se siente seguro, no realice ningún corte.

Para su seguridad, use el indicador de pendientes que se adjunta a este manual para medir la pendiente antes de operar la máquina en una zona inclinada. Si la pendiente es de más de 15°, como se muestra en el medidor, no haga funcionar esta máquina en ese sector o podría causar lesiones graves.

Haga lo siguiente:

1. Corte en las pendientes hacia arriba y hacia abajo, no de manera transversal. Tenga mucho cuidado al cambiar de dirección en una pendiente.
2. Esté atento a los hoyos, surcos, baches, rocas u otros objetos ocultos. El terreno desnivelado puede voltear la máquina. El césped alto puede ocultar obstáculos.
3. Conduzca a baja velocidad. Seleccione una velocidad lo suficientemente baja como para que no necesite detenerse o cambiar de marcha estando en pendiente. Los neumáticos pueden perder tracción sobre las pendientes aún cuando los frenos funcionaran correctamente. Siempre mantenga la máquina en cambio mientras desciende una pendiente para poder frenar con el motor.
4. Siga las recomendaciones del fabricante sobre los pesos o contrapesos de las ruedas para mejorar la estabilidad.
5. Tenga mucho cuidado con los colectores de césped y otros complementos. Pueden modificar la estabilidad de la máquina.
6. Todos los movimientos en las pendientes deben ser lentos y graduales. No haga cambios bruscos de velocidad o dirección. Hacer un cambio o frenar repentinamente pueden hacer que el frente de la máquina se levante y voltee hacia atrás rápidamente lo que podría producir lesiones graves.
7. Evite arrancar y detenerse cuando está en una pendiente. Si las ruedas pierden tracción, desacople las cuchillas y descienda la pendiente lentamente.

No haga lo siguiente:

1. No gire en pendiente a menos que sea necesario; si lo hace, gire lenta y gradualmente cuesta abajo, si es posible.
2. No corte cerca de caídas, zanjas o terraplenes. La cortadora puede volcarse repentinamente si una de las ruedas pasa el borde de un acantilado o zanja, o si se desmorona un borde.
3. No intente estabilizar la máquina poniendo un pie en tierra.
4. No utilice el recolector en pendientes pronunciadas.
5. No recorte el césped mojado. La falta de tracción puede hacer que se deslice.
6. No cambie a punto muerto para bajar por inercia. El exceso de velocidad puede hacer que el operador pierda el control de la máquina y se produzcan lesiones graves o la muerte.
7. No remolque complementos de arrastrar pesados (como carrito de basura cargado, podadora de rodillos, etc.) en pendientes de más de 5°. Cuando se desplaza cuesta abajo, el peso adicional tiende a empujar el tractor y puede hacerle perder el control (por ejemplo, el tractor se puede acelerar, la capacidad de conducir y frenar se reducen, el complemento puede acodillarse y hacer que el tractor vuelque).

Niños

1. Pueden ocurrir accidentes trágicos si el operador no está atento a la presencia de niños. Por lo general, los niños se sienten atraídos por la máquina y su actividad. No entienden los riesgos ni los peligros. Nunca suponga que los niños permanecerán en el lugar donde los vio por última vez.
 - a. Mantenga a los niños fuera del área de corte y bajo estricta vigilancia de un adulto responsable además del operador.
 - b. Esté alerta y apague la máquina si un niño ingresa al área.
 - c. Antes de moverse hacia atrás y mientras lo hace, mire hacia atrás y abajo viendo que no haya niños.
 - d. Nunca transporte niños, ni siquiera con las cuchillas desactivadas. Podrían caerse y resultar gravemente heridos o interferir con la operación segura de la máquina.
 - e. Tenga mucho cuidado al aproximarse a las esquinas ciegas, puertas, arbustos, árboles u otros objetos que puedan obstaculizarle la vista de un niño que pudiese correr al encuentro de la máquina.
 - f. Para evitar accidentes retrocediendo, siempre desacople las cuchillas antes de cambiar a marcha atrás. Si está equipado, el "Modo de marcha atrás con precaución" no se debe usar cuando hay niños y otras personas alrededor.
 - g. Mantenga a los niños alejados de los motores en marcha o calientes. Pueden sufrir quemaduras con un silenciador caliente.
 - h. Retire la llave cuando la máquina queda sin vigilancia para evitar el funcionamiento no autorizado.
2. No permita nunca que los niños menores de 14 años utilicen esta máquina. Los niños de 14 años en adelante deben leer y entender las instrucciones de funcionamiento y las normas de seguridad contenidas en este manual y en la máquina y deben ser entrenados y supervisados por un adulto.

Remolque

1. Remolque únicamente con una máquina que tenga un enganche diseñado para remolcar. No acople equipo remolcado excepto en el punto de enganche.
2. Siga las recomendaciones del fabricante sobre los límites de pesos de los equipos remolcados y el remolque en pendiente.
3. Nunca permita que los niños y otras personas se suban a equipos remolcados.
4. En las pendientes, el peso del equipo remolcado puede causar pérdida de tracción y pérdida de control.
5. Siempre tenga mucho cuidado al remolcar con una máquina capaz de hacer giros cerrados (por ejemplo, tractor cortacésped con radio de giro cero). Realice giros amplios para el acodillamiento.
6. Desplácese lentamente y deje distancia adicional para detenerse.
7. No cambie a punto muerto para bajar por inercia.

Servicio

Manejo seguro de la gasolina:

1. Para evitar lesiones personales o daños materiales tenga mucho cuidado al manipular la gasolina. **La gasolina es sumamente inflamable y sus vapores pueden causar explosiones.** Si se derrama gasolina encima o sobre la ropa se puede lesionar gravemente ya que se puede encender. Lávese la piel y cámbiese de ropa de inmediato.
 - a. Utilice sólo los recipientes para gasolina autorizados.
 - b. Nunca llene los recipientes dentro de un vehículo o un camión o un remolque con recubrimiento plástico. Coloque siempre los recipientes en el piso y lejos del vehículo antes de llenarlo.
 - c. Cuando sea conveniente, retire el equipo a gasolina del camión o remolque y llénelo sobre el suelo. Si esto no es posible, llene el equipo en un remolque con un recipiente portátil, en vez de hacerlo desde una boquilla dispensadora de gasolina.
 - d. En todo momento mantenga la boquilla en contacto con el borde del depósito de combustible o con la abertura del recipiente, hasta terminar la carga. No utilice un dispositivo de apertura/cierre de la boquilla,
 - e. Apague todos los cigarrillos, cigarros, pipas y otras fuentes de combustión.
 - f. Nunca cargue combustible en la máquina en un espacio cerrado.
 - g. Nunca saque la tapa del combustible ni agregue combustible mientras el motor está caliente o en marcha. Deje que el motor se enfríe por lo menos dos minutos antes de volver a cargar combustible.
 - h. Nunca llene en exceso el depósito de combustible. Llene el depósito no más que por debajo del cuello de llenado para dejar espacio para la expansión del combustible.
 - i. Vuelva a colocar el tapón de combustible y ajústelo bien.
 - j. Limpie el combustible que se haya derramado sobre el motor y el equipo. Traslade la máquina a otra zona. Espere 5 minutos antes de encender el motor.
 - k. Para reducir el riesgo de incendio, mantenga la máquina limpia de pasto, hojas y residuos acumulados. Limpie los derrames de aceite o combustible y saque todos los residuos embebidos en combustible.
 - l. Nunca guarde la máquina o el recipiente de combustible en un espacio cerrado donde haya fuego, chispas o luz piloto, como por ejemplo de calentadores de agua, calefactores de ambientes, hornos, secadores de ropa u otros aparatos a gas.
 - m. Deje que la máquina se enfríe por lo menos cinco minutos antes de guardarla.

Servicio general

1. Nunca encienda el motor en espacios cerrados o en una zona con poca ventilación. El escape del motor contiene monóxido de carbono, un gas inodoro y letal.
2. Antes de limpiar, reparar o inspeccionar la máquina, compruebe que las cuchillas y todas las piezas móviles se hayan detenido. Desconecte el cable de la bujía y póngalo haciendo masa contra el motor para evitar que se encienda accidentalmente.

3. Controle periódicamente para asegurarse que las cuchillas se detienen completamente aproximadamente cinco (5) segundos después de accionar el control de desacople. Si las cuchillas no se detienen dentro de este lapso de tiempo, su unidad debe ser reparada por su distribuidor de servicio autorizado Cub Cadet.
4. Controle el funcionamiento de los frenos con frecuencia, ya que está sujeto a desgaste durante el funcionamiento normal. Realice los ajustes y el mantenimiento necesario.
5. Controle las cuchillas y los pernos de montaje del motor a intervalos frecuentes para verificar que estén bien apretados. Además, inspeccione visualmente las cuchillas buscando daño (por ejemplo: desgaste excesivo, abolladuras, rajaduras). Reemplace las cuchillas únicamente por cuchillas de los fabricantes del equipo original (O.E.M.) listados en este manual. "El uso de repuestos que no cumplen con las especificaciones del equipo original puede resultar en rendimiento inadecuado y puede comprometer la seguridad."
6. Las cuchillas de la cortadora son filosas. Envuelva la cuchilla o utilice guantes y extreme las precauciones cuando les haga mantenimiento.
7. Mantenga todos los pernos, tuercas y tornillos bien ajustados para asegurarse de que la máquina se encuentra en condiciones seguras de funcionamiento.
8. Nunca altere el sistema de bloqueo de seguridad u otros dispositivos de seguridad. Controle periódicamente que funcionen correctamente.
9. Después de golpear algún objeto extraño, detenga el motor, desconecte los cables de la bujía y conéctelo a tierra con el motor. Inspeccione minuciosamente la máquina para ver si está dañada. Repare el daño antes de volver a arrancar y operar la máquina.
10. Nunca intente hacer ajustes o arreglos con el motor en marcha.
11. Los componentes del recolector de césped y la cubierta de descarga están sujetos a desgaste y daños lo que podría dejar expuestas las piezas móviles o permitir que arroje objetos. Para proteger su seguridad, verifique frecuentemente todos los componentes y reemplácelos inmediatamente sólo por repuestos de los fabricantes del equipo original (O.E.M.) listados en este manual. "El uso de repuestos que no cumplen con las especificaciones del equipo original puede resultar en rendimiento inadecuado y puede comprometer la seguridad."
12. No cambie la configuración del regulador del motor ni acelere demasiado el motor. El regulador del motor controla la velocidad máxima de funcionamiento seguro del motor.
13. Mantenga o reemplace las etiquetas de seguridad y de instrucciones según sea necesario.
14. Observe las leyes y reglamentos sobre la correcta disposición del gas, el petróleo, etc., para proteger el medio ambiente.
15. Según la Comisión de Seguridad de Productos para el Consumidor de los Estados Unidos (CPSC) y la Agencia de Protección Ambiental de los Estados Unidos (EPA), este producto tiene una *vida útil media* de siete (7) años ó 390 horas de funcionamiento. Al finalizar la *vida útil media* haga

inspeccionar anualmente esta unidad por un distribuidor de servicio autorizado para cerciorarse de que todos los sistemas mecánicos y de seguridad funcionan correctamente y no tienen excesivo desgaste. Si no lo hace, pueden producirse accidentes, lesiones o la muerte.

No modifique el motor

Para evitar lesiones graves o la muerte, no modifique el motor de ninguna manera. Si altera la configuración del regulador, el motor se puede desbocar y funcionar a velocidades que no son seguras. Nunca cambie la configuración de fábrica del regulador del motor.

Aviso referido a emisiones

Los motores que están certificados y cumplen con las normas sobre emisiones federales EPA y de California para SORE (Equipos pequeños todo terreno) están certificados para funcionar con gasolina sin plomo común y pueden incluir los siguientes sistemas de control de emisiones: Modificación de motor (EM), catalizador oxidante (OC), inyección de aire secundaria (SAI) y catalizador de tres vías (TWC) si están instalados.

Cuando sea necesario, los modelos están equipados con líneas de combustible y tanques de combustible de baja penetración para controlar las emisiones por evaporación. Los modelos para California también pueden incluir un filtro de carbón. Por favor, póngase en contacto con Atención al cliente para obtener información sobre la configuración del control de emisiones por evaporación para su modelo.

Amortiguador de chispas



¡ADVERTENCIA! Esta máquina está equipada con un motor de combustión interna y no debe utilizarse en o cerca de un terreno agreste cubierto de bosque, malezas o pasto a menos que el sistema de escape del motor esté equipado con un amortiguador de chispas que cumpla con las leyes locales o estatales vigentes (si las hay).

Si se utiliza un amortiguador de chispas el operador lo debe mantener en condiciones de uso adecuadas. En el Estado de California las medidas anteriormente mencionadas son exigidas por ley (Artículo 4442 del Código de Recursos Públicos de California). Es posible que existan leyes similares en otros estados. Las leyes federales se aplican en territorios federales.

Puede conseguir el amortiguador de chispas para el silenciador a través de su distribuidor autorizado de motores más cercano o poniéndose en contacto con el departamento de servicios, P.O. Box 361131 Cleveland, Ohio 44136-0019.



¡ADVERTENCIA! Su responsabilidad—Limite el uso de esta máquina motorizada a las personas que lean, comprendan y respeten las advertencias e instrucciones que figuran en este manual y en la máquina.

¡GUARDE ESTAS INSTRUCCIONES!

Símbolos de seguridad

En esta página se presentan y describen los símbolos de seguridad que en este producto puede tener. Lea, entienda y siga todas las instrucciones incluidas en la máquina antes de intentar armarla y hacerla funcionar.

Símbolo	Descripción
	LEA LOS MANUALES DEL OPERADOR Lea, entienda y siga todas las instrucciones incluidas en los manuales antes de intentar armarla y hacerla funcionar.
	PELIGRO — CUCHILLAS GIRATORIAS Nunca lleve pasajeros. Nunca transporte niños, ni siquiera después de haber desconectado las cuchillas.
	PELIGRO — CUCHILLAS GIRATORIAS Se recomienda no cortar marcha atrás.
	PELIGRO — CUCHILLAS GIRATORIAS No coloque las manos ni los pies cerca de piezas que giran ni debajo de la plataforma de corte. El contacto con las cuchillas puede amputar manos y pies.
	PELIGRO — CUCHILLAS GIRATORIAS Mire hacia abajo y hacia atrás antes y mientras se desplaza marcha atrás, para evitar un accidente.
	ADVERTENCIA - OBJETOS LANZADOS Esta máquina puede recoger y lanzar objetos que pueden causar lesiones personales graves.
	PELIGRO — DISPOSITIVOS DE SEGURIDAD Mantenga los dispositivos de seguridad (guardas, protectores, interruptores, etc.) en su lugar y funcionando.
	ADVERTENCIA — OBSERVADORES Mantenga a los observadores, ayudantes, mascotas y niños por lo menos a 75 pies de la máquina siempre que esté funcionando.
	ADVERTENCIA — OPERACIÓN EN PENDIENTE No utilice esta máquina en una pendiente mayor de 15°. No corte en sentido transversal a la pendiente. Corte hacia arriba y hacia abajo en las pendientes no mayores de 15°. Evite realizar giros abruptos. Conduzca a baja velocidad. Si la máquina se para mientras sube la pendiente, detenga las cuchillas y retroceda lentamente hacia abajo.
	ADVERTENCIA— SUPERFICIE CALIENTE Las piezas del motor, especialmente el silenciador, se recalientan durante la operación. Deje que el motor y el silenciador se enfríen antes de tocarlos.
	PELIGRO — CUCHILLAS GIRATORIAS Para reducir el riesgo de lesiones, mantenga alejados manos y pies. No haga funcionar sin que la tapa de descarga o el colector de césped se encuentren en el lugar que corresponde. Si están dañados, reemplácelos inmediatamente.
	ADVERTENCIA — RIESGO DE INCENDIO Deje que la máquina se enfríe antes de cargar combustible o almacenarla.
	ADVERTENCIA — RIESGO DE INCENDIO No conduzca sobre pilas de hojas secas o pasto alto.
	ADVERTENCIA — RIESGO DE INCENDIO No permita que se acumulen residuos. La acumulación de deshecho puede dar lugar a un incendio.

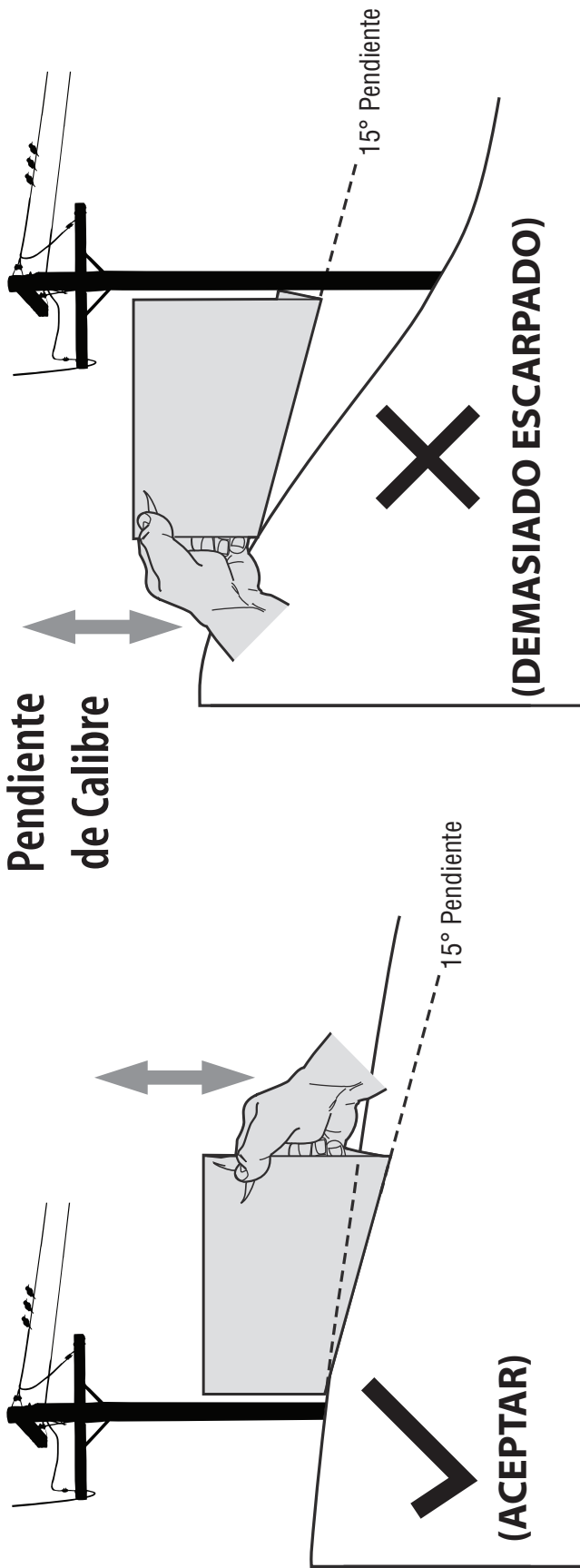
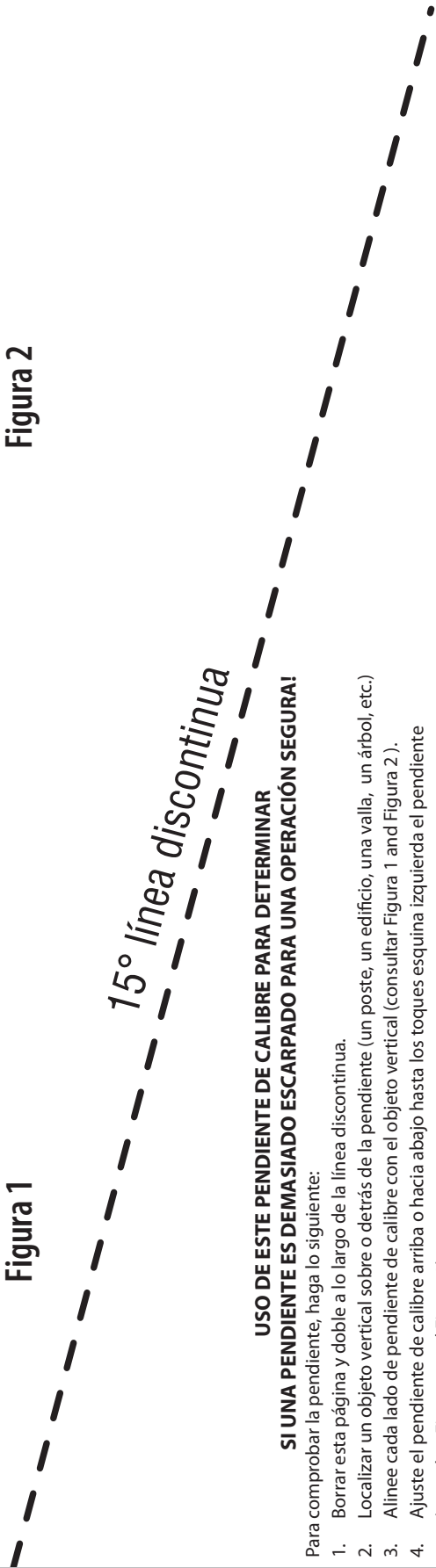


Figura 1

Figura 2



USO DE ESTE PENDIENTE DE CALIBRE PARA DETERMINAR SI UNA PENDIENTE ES DEMASIADO ESCARPADO PARA UNA OPERACIÓN SEGURA!

Para comprobar la pendiente, haga lo siguiente:

1. Borrar esta página y doble a lo largo de la línea discontinua.
2. Localizar un objeto vertical sobre o detrás de la pendiente (un poste, un edificio, una valla, un árbol, etc.)
3. Alinee cada lado de pendiente de calibre con el objeto vertical (consultar Figura 1 and Figura 2).
4. Ajuste el pendiente de calibre arriba o hacia abajo hasta los toques esquina izquierda el pendiente (consultar Figura 1 and Figura 2).
5. Si hay un espacio por debajo de la pendiente de calibre, el pendiente es demasiado escarpa por operación segura (consultar Figura 2 above).



¡ADVERTENCIA! Las pendientes son un factor importante relacionado con accidentes por tumbos y vuelcos que pueden producir lesiones graves o la muerte.

No utilice la máquina en pendientes de más de 15°. La operación en pendiente requiere mayor precaución. Si no puede retroceder por la pendiente o si no se siente seguro, no realice ningún corte. Siempre corte hacia arriba y hacia abajo de las pendientes, nunca de manera transversal.

Contenido del cajón

- Un Tractor
- Un Manual del operador
- Un Manual de operación del motor

NOTA: Este manual de operación cubre distintos modelos. Las características del tractor pueden variar según los modelos. No todas las características en este manual se aplican a todos los modelos de tractor y la máquina que se ilustra aquí puede diferir de la suya.

NOTA: Las referencias que contiene este manual sobre los lados derecho o izquierdo y trasero o delantero del tractor se hacen siempre desde la posición de operación. Las excepciones, si las hubiere, serán especificadas.

Preparación del tractor

Movimiento manual del tractor

1. Acople las varillas de derivación de la transmisión para mover el tractor manualmente sin ponerlo en marcha. Las varillas de derivación de la transmisión están ubicadas en la parte trasera del tractor, sobre el chasis. Acople la varilla de derivación tirando hacia afuera. Consulte Figura 3-1.

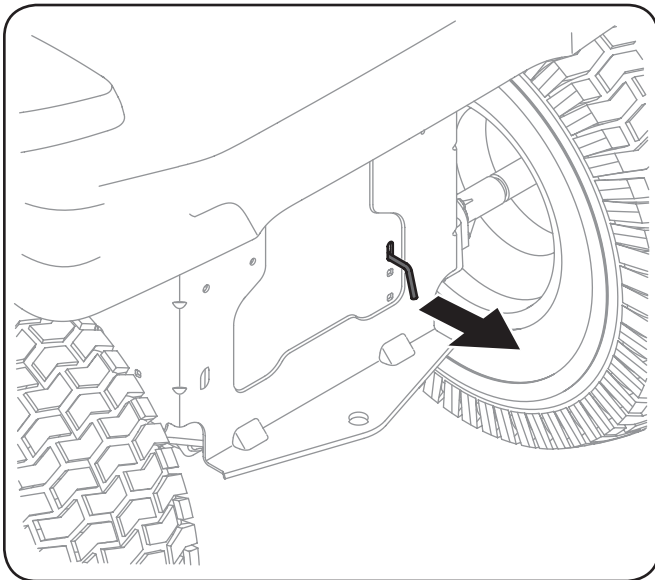


Figura 3-1

NOTA: Si el tractor no se mueve o no se mueve libremente al empujar verifique si la palanca de desviación está completamente abierta o el freno está accionado.

NOTA: La transmisión NO se engancha cuando la varilla de derivación hidrostática se tira hacia fuera. Regrese la varilla a su posición normal antes de operar el tractor. Si el tractor no se mueve al presionar sobre los pedales de avance/retroceso, o se mueve lentamente, compruebe que la válvula de derivación está activa.



PRECAUCIÓN: Nunca remolque su tractor. Si se remolca el tractor con las ruedas traseras apoyadas en el suelo se pueden causar daños graves a las transmisiones.

2. Después de mover el tractor, desacople la varilla de derivación empujando la varilla hacia adentro. Consulte Figura 3-1.

Instale el asiento del operador (si corresponde)

Para instalar el asiento proceda de la siguiente manera:

NOTA: El asiento se envía con el interruptor de asiento y el contenedor del asiento acoplados.

1. Corte cualquiera de las tiras que fijan el conjunto del asiento al tractor. Quite cualquier material de empaque.

NOTA: Tenga cuidado para no cortar el cableado que conecta el asiento al interruptor del asiento.

2. Quite los dos tornillos con reborde y las tuercas de seguridad con brida del contenedor del asiento tal como se muestra en Figura 3-2.

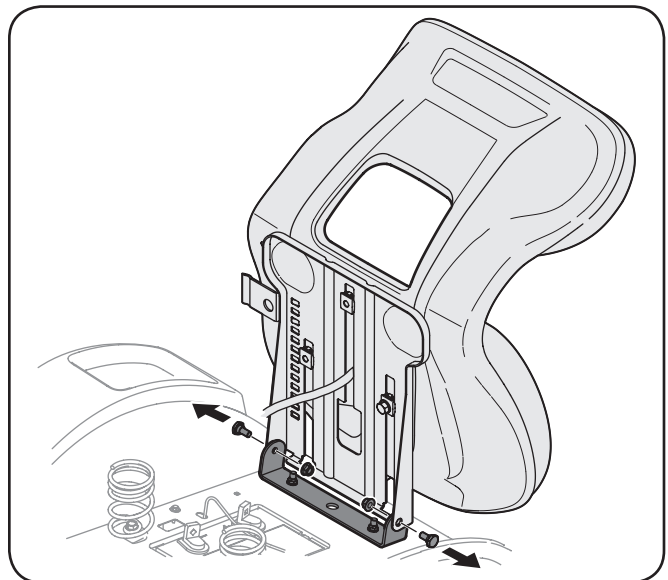


Figura 3-2

NOTA: Verifique que los cojinetes de brida de nylon (si está equipado) permanecen en su lugar en los orificios de montaje del soporte del asiento. Si se salen cuando se quitan los tornillos con reborde y las tuercas de seguridad con brida asegúrese de reemplazarlos antes de instalar el asiento.

3. Gire el asiento hasta la posición deseada y asegúrelo en su lugar con los tornillos de reborde y las tuercas de seguridad con brida que extrajo antes. Tenga cuidado de no doblar o dañar el cableado mientras instala el asiento. Consulte Figura 3-3.

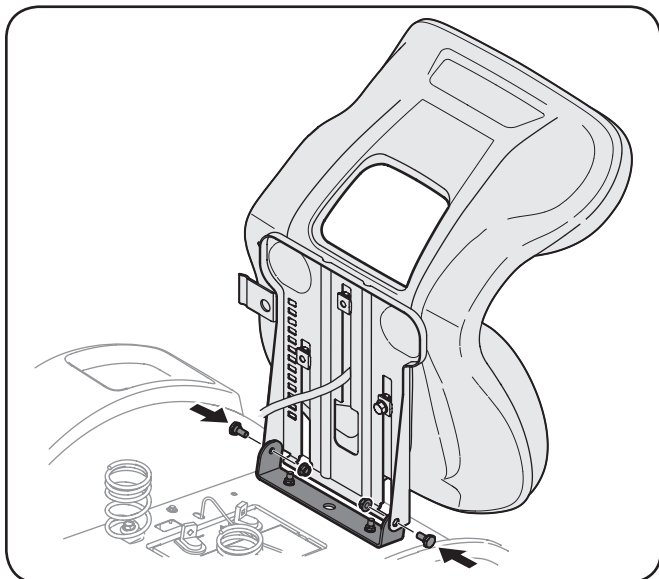


Figura 3-3

4. Usando la traba del arnés unida al arnés, asegure el exceso de cable al guardabarros colocando la traba del arnés en su lugar como se muestra en Figura 3-4.

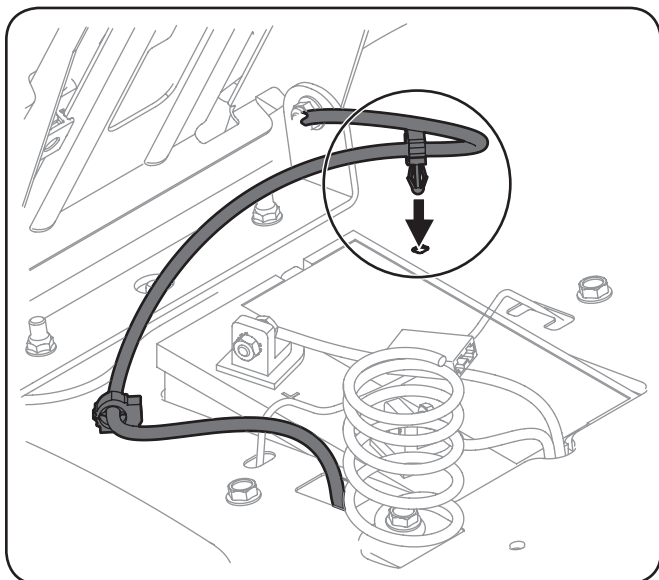


Figura 3-4

Baje el deflector del canal de descarga de la plataforma



¡ADVERTENCIA! Nunca opere la plataforma de corte sin el deflector del canal de descarga instalado y en posición baja.

Revise el equipo de corte para llaves de envío (con etiquetas) que puedan tener en su poder el deflector del canal alcista para el envío. Algunas cubiertas tienen dos llaves (50" y 54") y algunos tienen una (42" y 46"). Si un aparato ortopédico (s) están presentes, éstos deben ser removidos antes de operar el tractor. Sosteniendo el deflector del canal hacia arriba por completo, retire la llave (s) envío tomándola y girando en sentido horario. Baje el deflector del canal. Consulte Figura 3-5.

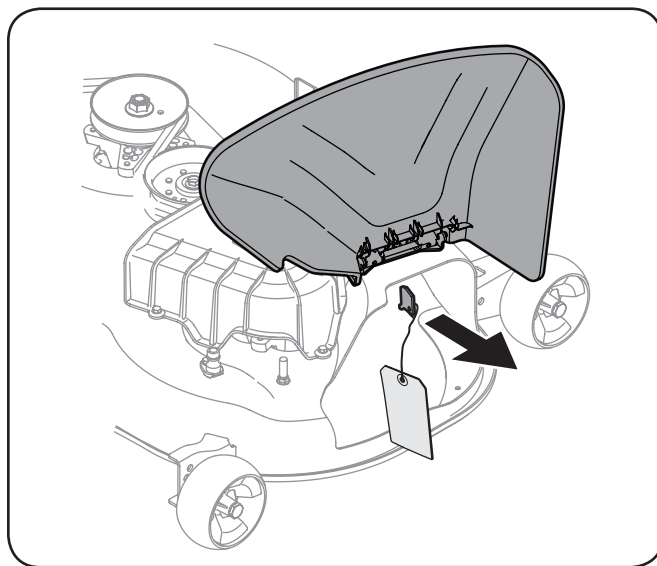


Figura 3-5

Instalación de la tapa del capó (si corresponde)

Para instalar la tapa del capó (1), alinear los orificios de la tapa del capó (1) con las lengüetas (2) del cuerpo del capó como se muestra en Figura 3-6. Inserte las lengüetas (2) en la tapa del capó y tire hacia atrás para trabar en su lugar.

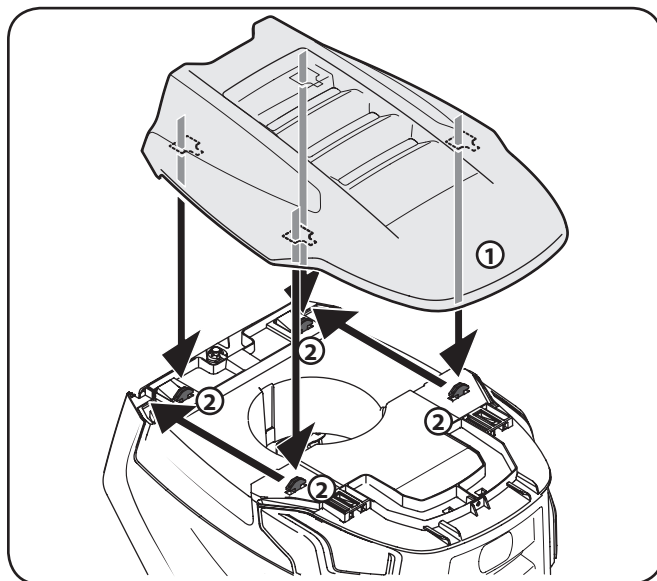


Figura 3-6

Instalación de la cubierta del tablero (si corresponde)

Para instalar la cubierta del tablero (1), alinear las lengüetas (2) de la cubierta del tablero (1) con los orificios de la parte superior del tablero como se muestra en Figura 3-7. Coloque las lengüetas (2) en los orificios de la parte superior del tablero y oprima la cubierta del tablero hacia adelante (1) para trabar en su lugar.

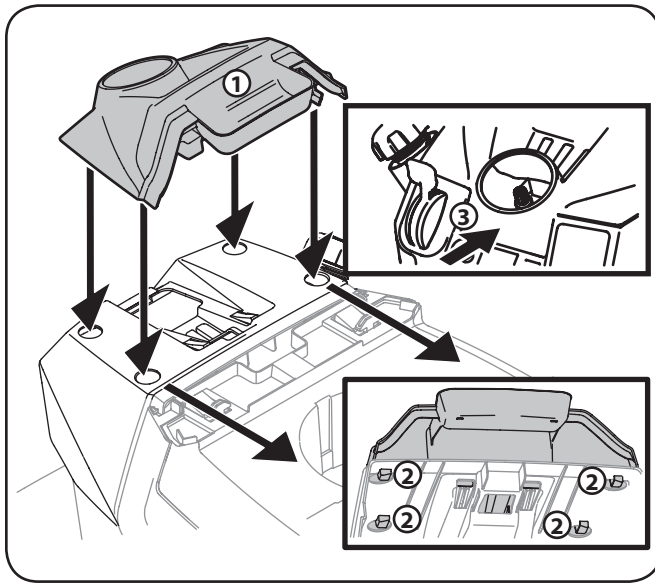


Figura 3-7

NOTA: Asegúrese de oprimir sobre la parte inferior de la tapa del tablero frente (3) a la posición del operador para asegurar que las lengüetas inferiores de la tapa del tablero están en su lugar.

Instalación del volante (si corresponde)

Los accesorios para fijar el volante se han embalado dentro del volante, debajo de la tapa del volante. Extraiga con cuidado la tapa del volante mediante palanca y retire los accesorios.

1. Con las ruedas del tractor apuntando recto hacia adelante, alinee el volante usando la línea central de la parte delantera del volante que apunta hacia adelante y la sección plana del volante orientada hacia el asiento, coloque el volante sobre el árbol de la dirección. Consulte Figura 3-8.

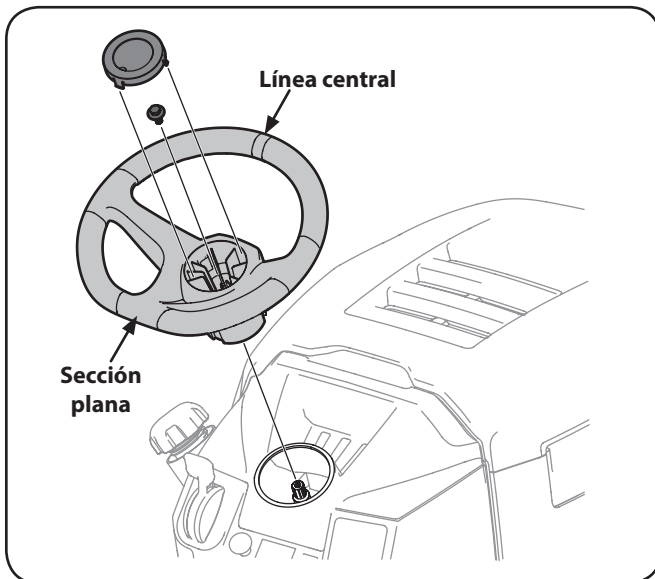


Figura 3-8

2. Fije el volante con el perno hexagonal de debajo de la tapa y apriete a 18-22 ft. / Lbs.
3. Coloque la tapa del volante encima del centro del volante y empuje hacia abajo hasta que haga clic al calzar en su lugar.

NOTA: El perno de sujeción del volante tiene sellador de roscas que se le aplica, por lo que si se elimina, se recomienda reemplazar el perno o la rosca de bloqueo re-aplica.

Instalación del paragolpes delantero (si corresponde)

Los accesorios para fijar el paragolpes delantero se despachan instalados en el paragolpes.

1. Saque los cuatro tornillos hexagonales del paragolpes.
2. Coloque los soportes del paragolpes *adentro* del chasis del tractor y fíjelo en su lugar con los cuatro tornillos hexagonales con reborde. Consulte Figura 3-9.

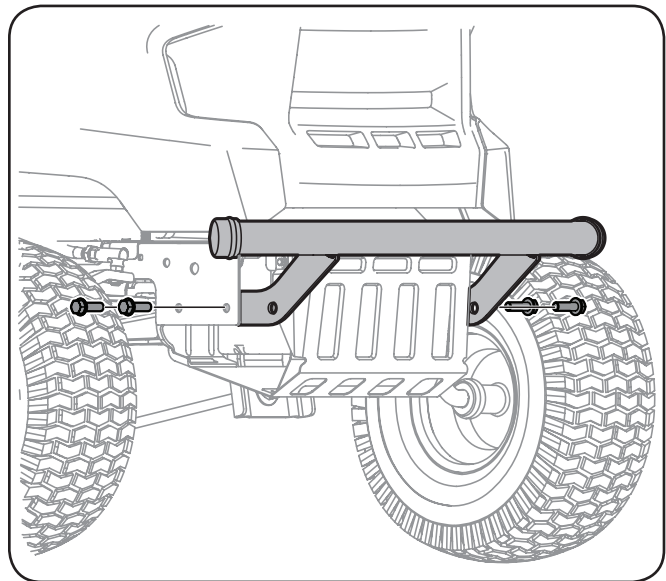


Figura 3-9

Ajuste del asiento

Para ajustar la posición del asiento, levante la palanca de ajuste del asiento. Deslice el asiento hacia adelante o hacia atrás a la posición deseada; luego suelte la palanca de ajuste. Asegúrese de que el asiento esté fijo en su posición antes de operar el tractor. Consulte Figura 3-10.

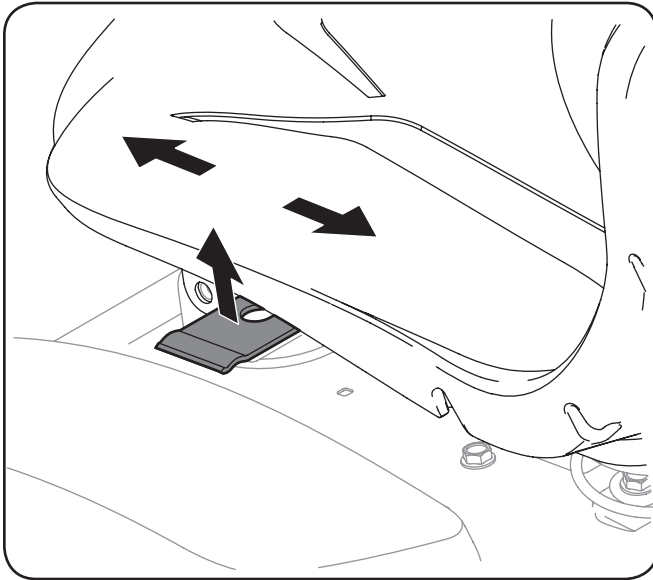


Figura 3-10

Conexión de los cables de la batería



ADVERTENCIA PROPOSICIÓN 65 DE CALIFORNIA

Los postes, los bornes y los accesorios relacionados a la batería contienen plomo y compuestos de plomo, sustancias químicas que según lo establecido por el Estado de California causan cáncer y daños en el sistema reproductivo. Lávese las manos después de estar en contacto con estos componentes.



PRECAUCIÓN: Cuando coloque los cables de la batería, conecte siempre primero el cable POSITIVO (rojo) a su borne, y a continuación el cable NEGATIVO (negro).

Por razones relacionadas con el embarque, los dos cables de la batería de su equipo pueden haber sido desconectados de los bornes en fábrica. Para conectar los cables de la batería, proceda de la siguiente manera:

NOTA: El borne positivo de la batería está marcado como Pos (+). El borne negativo de la batería está marcado como Neg (-).

NOTA: Si el cable positivo de la batería ya está conectado, siga con el paso 2.

1. Retire la cubierta plástica, si es que está presente, del borne positivo de la batería y una el cable rojo al borne positivo de la batería (+) utilizando el perno y la tuerca hexagonal. Consulte Figura 3-11.

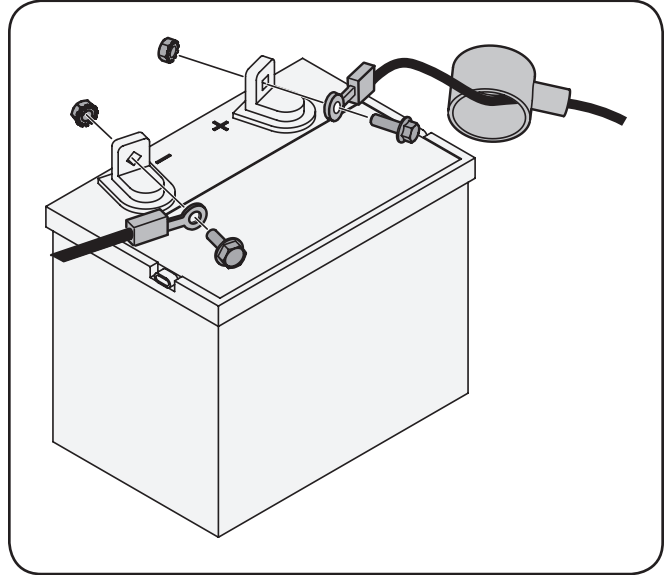


Figura 3-11

2. Retire la cubierta plástica, si es que está presente, del borne negativo de la batería y una el cable negro al borne negativo de la batería (-) utilizando el perno y la tuerca hexagonal. Consulte Figura 3-11.
3. Coloque el capuchón de goma rojo por encima del borne positivo de la batería para protegerlo contra la corrosión.

NOTA: Si la batería se pone en funcionamiento después de la fecha indicada en su parte superior o al costado de la misma, cárguela siguiendo las instrucciones de la sección Servicio de su Manual del Operador antes de hacer funcionar el tractor.

Control de la presión de los neumáticos



¡ADVERTENCIA! Presión igual neumático debe mantenerse en todo momento. Consulte los laterales de los neumáticos para la presión adecuada.

Los neumáticos de la unidad puede ser inflado demasiado para propósitos de envío. Reducir la presión de los neumáticos antes de operar el tractor. Compruebe la pared lateral del neumático para la máxima p.s.i.

NOTA: La presión de Igualdad de neumáticos es fundamental para el rendimiento plataforma de corte nivel.

Ajuste de las ruedas de la plataforma



¡ADVERTENCIA! Mantenga las manos y pies alejados de la abertura de descarga de la plataforma de corte.

NOTA: Las ruedas de la plataforma constituyen un mecanismo para el cuidado del césped y no fueron diseñadas para soportar el peso de la plataforma de corte.

Mueva el tractor a una superficie firme y nivelada, preferentemente sobre el pavimento, y realice lo siguiente:

1. Controle la presión de los neumáticos, asegúrese que es la correcta e igual en todos los neumáticos.
2. Asegúrese de que la plataforma está nivelada, de atrás hacia adelante y de lado a lado. Consulte en la sección Mantenimiento y ajustes la información e instrucciones para nivelar la plataforma.
3. Seleccione la posición de altura de la plataforma de corte colocando la palanca de elevación de la plataforma en la configuración de altura de corte normalmente deseada.
4. Controle si las ruedas están en contacto con la superficie de abajo o si hay excesiva separación. Las ruedas de la plataforma deben tener entre $\frac{1}{4}$ y $\frac{1}{2}$ pulgada de separación respecto del suelo. Proceda como se indica a continuación para ajustar las ruedas:
 - a. Levante el tirador de elevación de la plataforma hasta el punto más alto.
 - b. Retire las ruedas de la plataforma delantera y trasera mediante la eliminación de las tuercas de seguridad de brida y los pernos de hombro que les ajustan a la plataforma. Consulte Figura 3-12.

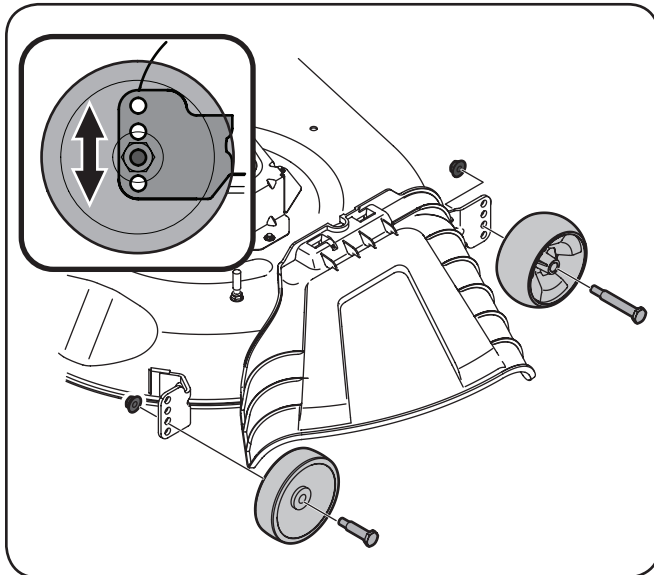


Figura 3-12

- c. Coloque la palanca de elevación de la plataforma en el ajuste de altura de corte deseado.
- d. Vuelva a insertar los pernos con reborde (con cada rueda de la plataforma) dentro del orificio de posicionamiento que deja aproximadamente $\frac{1}{2}$ pulgada entre la parte inferior de la rueda y el pavimento. Apriete la tuerca de seguridad con brida y el tornillo con reborde a entre 25 a 30 libras-pie con una llave de torsión.

NOTA: Consulte Ajuste de la plataforma en la sección Mantenimiento y ajustes de este manual donde encontrará instrucciones más detalladas sobre varios ajustes de la plataforma.

Gasolina y aceite

El depósito de combustible se encuentra en el exterior/izquierdo del tablero y contiene 3 galones de gas. Extraiga la tapa de combustible girándola hacia la izquierda. Sólo se debe utilizar gasolina limpia, nueva (con menos de 30 días de antigüedad) y sin plomo. Llene el depósito no más que por debajo del cuello de llenado para dejar espacio para la expansión del combustible.

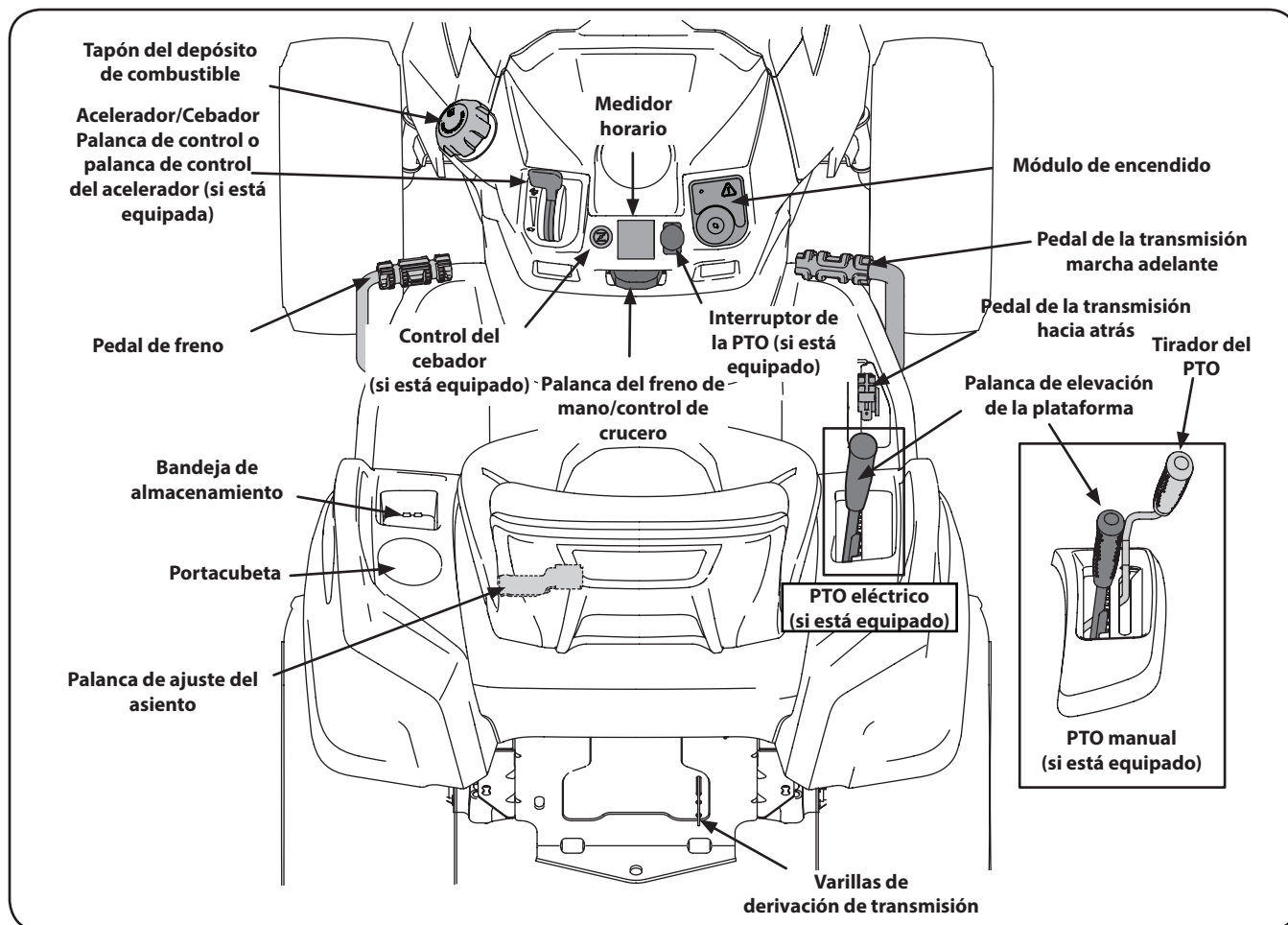


¡ADVERTENCIA! Tenga mucho cuidado al trabajar con gasolina. La gasolina es sumamente inflamable y sus vapores pueden causar explosiones. Nunca agregue combustible a la máquina en espacios cerrados ni mientras el motor está caliente o funcionando. Apague cigarrillos, cigarras, pipas y otras fuentes de combustión.

NOTA: Su tractor se despacha con aceite en el motor. Sin embargo, usted DEBE controlar el nivel de aceite antes de hacerlo funcionar. Consulte la sección Servicio para ver instrucciones sobre cómo controlar, agregar y cambiar el aceite.



PRECAUCIÓN: Controle siempre el nivel de aceite del motor antes de cada uso según se indica en el manual de funcionamiento del motor. Agregue aceite según sea necesario. De no hacerlo se pueden producir daños graves al motor.



NOTA: Este manual de operación cubre distintos modelos. Las características del tractor pueden variar según los modelos. No todas las características en este manual se aplican a todos los modelos de tractor y la máquina que se ilustra aquí puede diferir de la suya.

NOTA: Las referencias a IZQUIERDA, DERECHA, ADELANTE Y ATRÁS indican esa posición desde el asiento del operador en el tractor, mirando hacia adelante.



¡ADVERTENCIA! Lea y observe todas las normas e instrucciones de seguridad de este manual, incluida toda la sección de funcionamiento, antes de poner esta máquina en funcionamiento. Si no respeta todas las normas e instrucciones de seguridad puede provocar lesiones personales.

Pedal de marcha adelante

El pedal de marcha adelante está ubicado a la derecha de la máquina, sobre el estribo. Presione el pedal de marcha adelante hacia adelante para que el tractor se mueva en esa dirección. La velocidad absoluta también se controla con el pedal de marcha adelante. Cuanto más se presione el pedal hacia adelante, más rápido se moverá el tractor. El pedal volverá a su posición original cuando deje de presionarlo.

Pedal de marcha atrás

El pedal de marcha atrás está ubicado a la derecha del tractor, sobre el estribo. La velocidad absoluta también se controla con el pedal de marcha atrás. Cuanto más presione el pedal hacia abajo, más rápido se moverá el tractor. El pedal volverá a su posición original cuando deje de presionarlo.

Pedal de freno

El pedal de freno se encuentra en el lado izquierdo del tractor, a lo largo del estribo. El pedal de freno se puede utilizar para detener el tractor o establecer el freno de estacionamiento.


NOTA: El pedal del freno debe estar presionado a fondo para activar el interruptor de bloqueo de seguridad al arrancar el tractor.

Palanca de ajuste del asiento

La palanca de ajuste del asiento está ubicada debajo del asiento, a la izquierda. La palanca permite ajustar el asiento del operador hacia adelante o hacia atrás. Consulte la sección Montaje y Configuración para ver instrucciones sobre el ajuste de la posición del asiento.

Palanca de control del acelerador/ cebador (si está equipada)

La palanca de control del regulador / cebador se encuentra en el lado izquierdo del panel de instrumentos del tractor. Esta palanca controla la velocidad del motor y, cuando se empuja totalmente hacia adelante, más allá de la posición de retención cierra el cebador para el arranque en frío. Cuando se pone en una posición determinada, el regulador mantiene una velocidad de motor uniforme.

NOTA: Cuando opere el tractor con la plataforma de corte colocada, asegúrese de que la palanca del acelerador/ cebador esté siempre en la posición FAST .



Control del acelerador (si está equipado)

El control del acelerador está ubicado del lado izquierdo del tablero de instrumentos del tractor. Cuando se lo coloca en determinada posición, se mantiene una velocidad de motor uniforme.

Empuje el control del acelerador hacia adelante para aumentar la velocidad del motor. El tractor está diseñado para funcionar con el control del acelerador en posición rápida (aceleración máxima) cuando la plataforma de la cortadora está enganchada.

Tire del control del acelerador hacia atrás para reducir la velocidad del motor.



Control del cebador (si está equipado)

El control del cebador está ubicado sobre el tablero de instrumentos a la derecha del control del acelerado/ cebador o del acelerado y controla la posición del cebador del motor. Tire de la perilla hacia afuera/arriba para cebar el motor; empuje la perilla hacia adentro/ abajo para abrir el cebador.



Palanca de elevación de la plataforma

Tractores con PTO eléctrica



Tractores con PTO manual




La palanca de elevación se encuentra en el guardabarros derecho y se utiliza para levantar y bajar la plataforma. Tire de la palanca hacia la izquierda para sacarla de la muesca y empuje hacia abajo para bajar la plataforma o hacia arriba para levantarla. Cuando alcance la altura deseada, mueva la palanca de elevación hacia la derecha para que encaje totalmente en la muesca de posición.


Módulo de encendido




¡ADVERTENCIA!

Nunca deje la máquina funcionando sin vigilancia. Siempre desconecte la toma de fuerza (PTO), ponga el freno de mano, pare el motor y retire la llave, para evitar que el motor arranque accidentalmente.

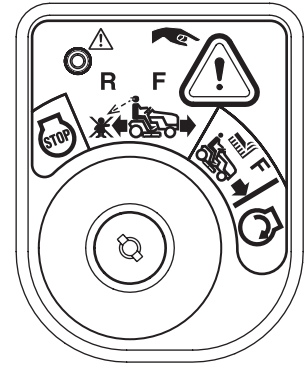
Para arrancar el motor, inserte la llave en el interruptor de encendido y gírela hacia la derecha a la posición START  (encendido). Suelte la llave en la posición MODO DE CORTE

NORMAL  F cuando el motor haya arrancado.

Para detener el motor, gire la llave de encendido hacia la izquierda a la posición STOP  (parada).



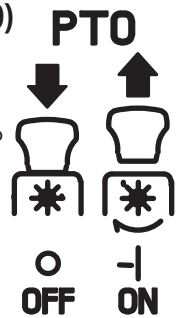
PRECAUCIÓN: Antes de hacer funcionar el tractor, consulte tanto Interruptores de bloqueo de seguridad y Arranque del motor en la sección Funcionamiento de este manual para ver instrucciones detalladas sobre el módulo del interruptor de encendido y cómo operar el tractor en MODO DE PRECAUCIÓN MARCHA ATRÁS



Interruptor de la toma de fuerza (PTO) (tractores con PTO eléctrica)

El interruptor de la PTO está ubicado en el tablero de instrumentos a la derecha del LCD avisador de servicio y medidor horario.

Al activar la PTO se conecta la energía a la plataforma de corte y a otros complementos (disponibles por separado). Consulte la sección Funcionamiento para ver información e instrucciones sobre cómo usar la PTO.



Tirador de PTO/enganche de cuchilla (tractores con PTO manual)



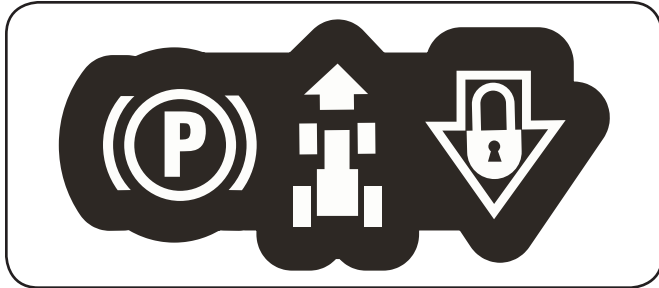
El tirador de PTO/enganche de cuchilla está ubicado en el guardabarros izquierdo. Al activar la PTO se conecta la energía a la plataforma de corte y a otros complementos (disponibles por separado). Consulte la sección Funcionamiento para ver información e instrucciones sobre cómo usar la PTO.

Varilla de derivación de transmisión

La varilla de derivación de transmisión se encuentra en la parte trasera del tractor en la sección inferior derecha del chasis.

Cuando se engancha, la varilla abre una derivación dentro de las transmisiones hidrostáticas, lo cual permite empujar el tractor a mano distancias cortas. Consulte la sección Montaje y Configuración para obtener instrucciones sobre el uso de la función de derivación.

Palanca del freno de mano/control de crucero



Ubicado en el centro del tablero de instrumentos del tractor debajo del volante, la palanca del freno de mano/control de crucero se utiliza para activar el freno de mano y el control de crucero. Consulte la sección Funcionamiento de este manual para ver instrucciones detalladas sobre el freno de mano.

NOTA: Si el operador abandona el asiento y deja el motor en funcionamiento, deberá colocar el freno de mano, o el motor se apagará de forma automática.

NOTA: El control de crucero NO podrá activarse a la velocidad absoluta más rápida del tractor.



¡ADVERTENCIA! Nunca deje la máquina en funcionamiento sin vigilancia. Siempre desconecte la PTO, ponga el freno de mano, pare el motor y retire la llave, para evitar que arranque accidentalmente.

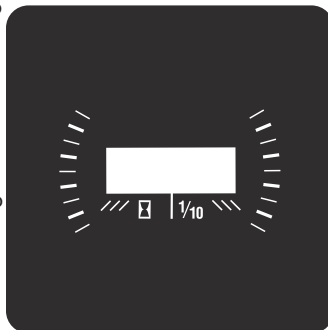
Medidor horario

LCD avisador de servicio y medidor horario (si está equipado)

Cuando se gira la llave de encendido de la posición de parada, pero no a la posición de arranque, el LCD avisador de servicio y medidor horario mostrará brevemente la tensión de la batería, seguido de las horas acumuladas del tractor.

NOTA: Las horas de funcionamiento del tractor se registran cada vez que se gira la llave de encendido de la posición de parada, independientemente de si el motor arranca.

El avisador de servicio le recuerda al operador los intervalos de mantenimiento para cambiar el aceite del motor, el servicio del filtro de aire, advertencias de poca presión y poca batería.



Cambiar el aceite

El LCD mostrará las letras "CHG" (cambiar), seguidas de las letras "OIL" (aceite), seguidas de las letras "SOON" (pronto), y luego finalmente seguidas por el tiempo acumulado del medidor. "CHG/OIL/SOON/TIME" se alternarán en la pantalla durante 7 minutos después de que el medidor llegue a 50 horas. Este intervalo del avisador de servicio de aceite se producirá cada 50 horas. Antes de que caduque el intervalo, agregue el aceite como se indica en la sección Mantenimiento del Manual del operador del motor.

Poco aceite (Si está equipado)

Las letras "LO" (poco) seguidas de las letras "OIL" (aceite), seguidas luego del tiempo acumulado del medidor indicarán que el tractor tiene poco aceite. Cuando un motor no ha estado funcionando e inmediatamente después de que el motor arranca la presión de aceite puede estar baja. Esto puede activar el texto "LO" "OIL" (poco aceite). Esto es normal. Si la indicación de poco aceite persiste, pare el tractor inmediatamente y compruebe el nivel de aceite del motor según las instrucciones del Manual del operador del motor.

NOTA: La función "Poco aceite" solo funciona si el motor tiene un interruptor de presión de aceite.

Poca batería

Al arrancar, la tensión de la batería se visualiza fugazmente y luego cambia a horas acumuladas. Aparecen las letras "LO" (poco), seguidas de las letras "BATT" (batería), seguidas luego del tiempo acumulado del medidor. "LO/BATT/TIME" se muestra en la pantalla LCD cuando la tensión cae por debajo de 11,5 voltios. Cuando esto ocurre, hay que cargar la batería o el sistema de carga del motor no genera suficiente amperaje. Cargue la batería como se indica en la sección Servicio de este manual o haga controlar el sistema de carga por su distribuidor de servicio local.

Mantenimiento del filtro de aire

Aparecen las letras "CLN" (limpiar), seguidas de las letras "AIR" (aire), seguidas por "FILT", seguidas luego del tiempo acumulado del medidor. "CLN/AIR/FILT/TIME" se alternarán en la pantalla durante 7 minutos después de que el medidor llegue a 50 horas. Este intervalo del avisador de servicio del filtro de aire será cada 50 horas. En intervalos comunes con el servicio del aceite, aparece el mensaje del aceite primero seguido por el mensaje del filtro de aire.

LCD avisador de servicio y medidor horario con Bluetooth® (si está equipado)

Conecte su cuidador servicio LCD activado para Bluetooth® y contador de horas a su smartphone mediante la descarga de la App Cub Connect™ para su dispositivo Android o iOS capaces Bluetooth®.

Cub Connect™ es la nueva forma innovadora de interactuar con su equipo de energía al aire libre Cub Cadet directamente a través de su dispositivo móvil.

Salpicadero mantenimiento automatizado del registro de aplicación y le ayudará a mantener su equipo funcionando al máximo rendimiento y proteger su inversión mediante el seguimiento de las horas totales en toda la vida útil de su equipo.

Recibir notificaciones de alerta cuando es el momento para llevar a cabo tareas de mantenimiento esenciales. Su tablero de instrumentos ofrece monitoreo en tiempo real e indica cuándo es el momento para que usted compruebe o cambie el aceite, filtro de aire, cuchillas o batería. Cub Connect™ también le permite localizar y ponerse en contacto con los Cub Cadet Centros de Servicio, Acceso, paso a paso las instrucciones para realizar piezas de mantenimiento y de reemplazo compra de rutina directamente desde su dispositivo móvil.

Basta con descargar la aplicación y seguir las instrucciones rápidas paso a paso sobre cómo sincronizar su dispositivo móvil con su equipo.






¡ADVERTENCIA! Evite lesiones graves o la muerte. Recorra las pendientes hacia arriba y hacia abajo, no de manera transversal. Evite realizar giros abruptos. No utilice el tractor en lugares donde podría resbalar o volcar. Si la máquina se para mientras sube la pendiente, pare la PTO y retroceda lentamente por la pendiente. Mantenga todos los dispositivos de seguridad (guardas, protectores e interruptores) en su lugar y funcionando. Extraiga los objetos que podrían ser arrojados por las cuchillas. Conozca la ubicación y función de todos los controles. Asegúrese de que las cuchillas y el motor se han detenido antes de colocar las manos o los pies cerca de las cuchillas. Antes de abandonar la posición del operador, desacople la toma de fuerza (PTO) y ponga el freno de mano, apague el motor y retire la llave.

Interruptores de bloqueo de seguridad

Este tractor está equipado con un sistema de bloqueo de seguridad para protección del operador. Si el sistema de bloqueo llegara a funcionar mal, no opere el tractor. Póngase en contacto con su distribuidor Cub Cadet.

- El sistema de bloqueo de seguridad impide que el motor arranque o se encienda a menos que esté colocado el freno de mano, y la PTO esté DESACOPLADA en la posición de apagado (OFF).
- Si el operador abandona su asiento antes de colocar el freno de mano, el motor se apagará automáticamente.
- En los modelos de toma de fuerza eléctrica, el embrague PTO se apagará automáticamente si el operador abandona el asiento del tractor con la toma de fuerza en la posición enganchada (ON), independientemente de que el freno de mano. En los modelos de toma de fuerza manual, la toma de fuerza se desactivará si el operador abandona el asiento del tractor con la toma de fuerza en la posición enganchada (ON), independientemente de que el freno de mano.
- Con la llave de encendido en la CORTE NORMAL , el embrague de la PTO se apagará automáticamente si la PTO se mueve a la posición ACOPLADA (ON) con el pedal de marcha en posición de marcha atrás.





¡ADVERTENCIA! No opere el tractor si el sistema de bloqueo funciona mal. El sistema fue diseñado para brindarle seguridad y protección.

Encendido del motor





¡ADVERTENCIA! No opere el tractor si el sistema de bloqueo funciona mal. El sistema fue diseñado para brindarle seguridad y protección.


NOTA: Consulte la sección Montaje y Configuración de este manual para ver instrucciones sobre el llenado de aceite y gasolina.


1. Inserte la llave del tractor en el módulo del interruptor de encendido.
2. Coloque la PTO en la posición desacoplada (OFF).
3. Participe plenamente de frenos del tractor (vea la página 19).
4. Tire del control del cebador (si está equipado) hacia arriba/afuera a la posición CHOKE  o mueva el control del acelerador/cebador (si está equipado) a la posición CHOKE  (cebador).

NOTA: Si el motor está caliente, tal vez no sea necesario cebar el motor.


5. Gire la llave de encendido hacia la derecha hasta la posición START  (arranque). Una vez que arranque el motor, suelte la llave. Volverá a la posición NORMAL MOWING  (corte normal).



PRECAUCIÓN: NO mantenga la llave en la posición START  (arranque), durante más de diez segundos por vez. Si lo hace, puede ocasionar daños al arrancador eléctrico del motor.

6. Una vez que el motor arranca, tire del control del acelerador/cebador (si está equipado) hacia abajo a la posición FAST (rápido),  o empuje el control del cebador (si está equipado) hacia abajo a la posición OFF (apagado).



NOTA: NO deje el control del cebador activado mientras opera el tractor. Si lo hace, se generará una mezcla de combustible "rica", lo cual hará que el motor no funcione bien y pueda ser dañado.

NOTA: Cuando haga funcionar el tractor asegúrese de que la palanca del acelerador esté siempre en la posición FAST  (rápida). Funcionar con el acelerador a menos de máxima velocidad puede acortar la vida útil de la batería.


Detención del motor



¡ADVERTENCIA! Si golpea contra un objeto extraño, detenga el motor y desconecte los cables de la bujía. Inspeccione minuciosamente la máquina para ver si está dañada. Repare el daño antes de volver a encender el motor y operar la máquina.


1. Si las cuchillas están ACOPLADAS (ON) coloque la PTO en la posición DESACOPLADA (OFF).
2. Mueva el control del acelerador a la posición SLOW  (lento).
3. Ponga el freno de estacionamiento.
4. Gire la llave de encendido hacia la izquierda a la posición STOP  (parar).
5. Retire la llave del interruptor de encendido para evitar que alguien encienda accidentalmente el motor.

Modo marcha atrás con precaución

La posición MODO MARCHA ATRÁS CON PRECAUCIÓN  del módulo de encendido permite operar el tractor marcha atrás con las cuchillas (PTO) acopladas.



NOTA: No se recomienda cortar el césped en marcha atrás.



¡ADVERTENCIA! Tenga sumo cuidado al operar el tractor en el MODO MARCHA ATRÁS CON PRECAUCIÓN . Mire siempre hacia abajo y detrás suyo antes y durante la marcha atrás. No haga funcionar el tractor cuando hay niños u otras personas cerca. Detenga el tractor inmediatamente si alguien se acerca.

Para usar el MODO MARCHA ATRÁS CON PRECAUCIÓN :

NOTA: El operador DEBE estar sentado en el asiento del tractor.

1. Arranque el motor como se indicó en la página anterior.
2. Gire la llave de la posición CORTE NORMAL  (verde) a la posición MODO MARCHA ATRÁS CON PRECAUCIÓN  (amarillo) del módulo de encendido. Consulte Figura 5-1.

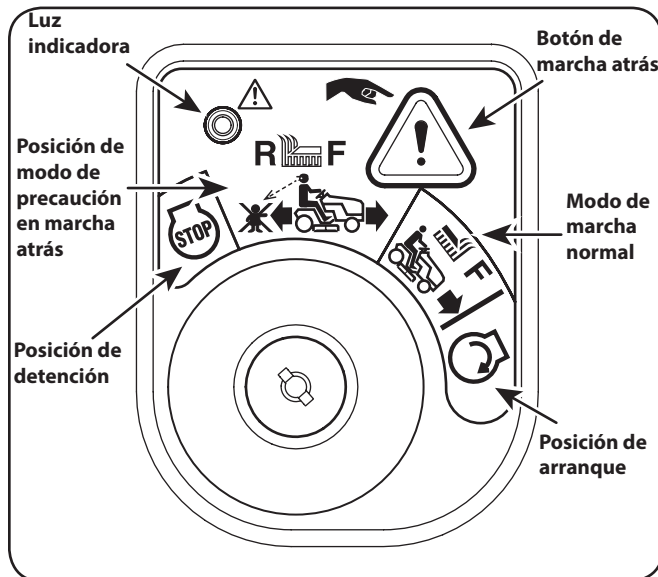





Figura 5-1


3. Oprima el PULSADOR DE MARCHA ATRÁS  en el ángulo superior derecho del módulo de encendido. La luz indicadora roja en el ángulo superior izquierdo del módulo de encendido se mantendrá ENCENDIDA mientras está activada. Consulte Figura 5-1.
4. Una vez activada (luz indicadora ENCENDIDA), el tractor podrá operar en marcha atrás con las cuchillas de corte (PTO) acopladas.
5. Siempre mire hacia abajo y hacia atrás antes y mientras se desplaza marcha atrás, para verificar que no hay niños cerca. Luego de volver a desplazarse hacia adelante, vuelva la llave a la posición de CORTE NORMAL .

6. El MODO DE MARCHA ATRÁS CON PRECAUCIÓN  se mantendrá activado hasta que:
 - a. La llave se coloque ya sea en la posición CORTE NORMAL  o la posición de parada  o bien
 - b. El operador se levanta del asiento (PTO eléctrico) / el freno de estacionamiento (PTO manual).

Conducción del tractor



¡ADVERTENCIA! Evite arrancar súbitamente, desarrollar excesiva velocidad y detenerse de repente.

1. Oprima suavemente el pedal de freno para soltar el freno de mano. Mueva el acelerador a la posición FAST  (rápido).
2. Para conducir hacia ADELANTE, presione lentamente el pedal de marcha adelante hasta alcanzar la velocidad deseada. Consulte Figura 5-2.

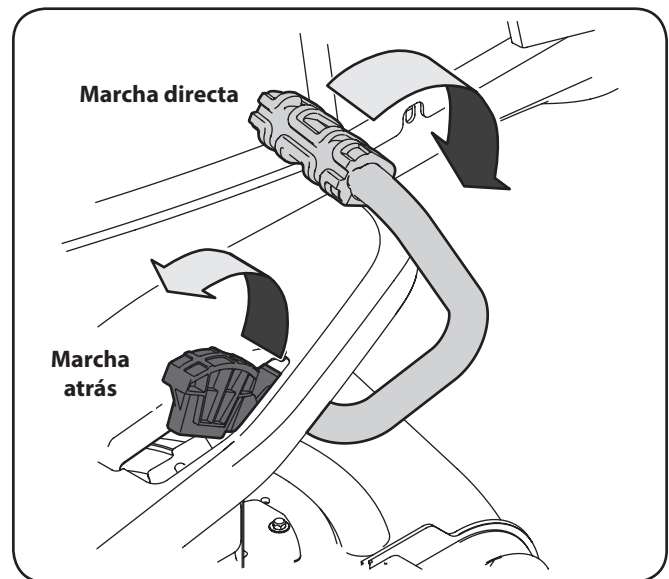


Figura 5-2

3. Para conducir MARCHA ATRÁS, verifique que el área de atrás esté despejada; Luego presione lentamente hacia adelante el pedal de marcha atrás hasta alcanzar la velocidad deseada. Consulte Figura 5-2.



PRECAUCIÓN: NO intente cambiar la dirección de desplazamiento mientras el tractor está en movimiento. Siempre debe detener el tractor completamente antes de cambiar de marcha adelante a marcha atrás o viceversa.



¡ADVERTENCIA! No abandone el asiento del tractor sin antes colocar la PTO en posición DESACOPADA (OFF) y poner el freno de mano. Si deja el tractor sin vigilancia, apague el motor y retire la llave de encendido.

Operación en pendiente

Consulte la sección INDICADOR DE PENDIENTE en la página 8 para determinar en qué pendientes puede operar el tractor de manera segura.



¡ADVERTENCIA! No corte en pendientes con una inclinación de más de 15° (elevación aproximada de 2-½ pies por cada 10 pies). El tractor podría voltearse y causar lesiones severas.

- En las pendientes corte hacia arriba y hacia abajo, NUNCA en forma transversal.
- Tenga mucho cuidado al cambiar de dirección en una pendiente.
- Esté atento a los hoyos, surcos, baches, rocas u otros objetos ocultos. El terreno desnivelado puede voltear la máquina. El césped alto puede ocultar obstáculos.
- Evite realizar giros cuando opere en una pendiente. Si debe realizar un giro, hágalo pendiente abajo. Subir una pendiente aumenta enormemente las posibilidades de que el vehículo dé una vuelta de campana.
- Evite detenerse cuando suba una pendiente. Si fuese necesario detenerse mientras sube una pendiente, arranque suave y cuidadosamente para reducir la posibilidad de que el tractor se dé vuelta hacia atrás.

Colocación del freno de mano

NOTA: Si el operador abandona el asiento y deja el motor en funcionamiento, deberá colocar el freno de mano, o el motor se apagará de forma automática.

Para poner el freno de mano:

1. Presione el pedal de freno completamente hacia abajo con el pie izquierdo y manténgalo en esa posición.
2. Levante la palanca del freno de mano/control de crucero hacia arriba y manténgala en esa posición.
3. Retire el pie del pedal del freno.
4. Afloje la presión sobre la palanca del freno de mano/control de crucero.

Después de completar el paso 3, el pedal de freno debe permanecer en la posición hacia abajo. Si no lo hace, el freno de mano *no está* acoplado. Repita los pasos 1 a 4 para acoplar.

Para desacoplar el freno de mano, presione suavemente el pedal de freno.



¡ADVERTENCIA! Nunca deje la máquina en funcionamiento sin vigilancia. Siempre desacople la PTO, ponga el freno de mano, pare el motor y retire la llave, para evitar que arranque accidentalmente.

Ajuste del control de crucero



¡ADVERTENCIA! Nunca acople la palanca de control de crucero mientras se desplaza marcha atrás.

Para fijar el control de crucero:

1. Presione lentamente el pedal de marcha adelante con el pie derecho hasta alcanzar la velocidad deseada.
2. Levante la palanca del freno de mano/control de crucero hacia arriba y manténgala en esa posición.
3. Retire el pie del pedal de marcha adelante.
4. Afloje la presión sobre la palanca del freno de mano/control de crucero.

Después de completar el paso 3, el pedal de marcha adelante debe permanecer en la posición hacia abajo y el tractor mantendrá la misma velocidad de avance. Si no lo hace, el control de crucero *no está* acoplado. Repita los pasos 1 a 4 para acoplar el control de crucero.

Para desacoplar el control de crucero, presione suavemente el pedal de marcha adelante o el pedal de freno.



NOTA: El control de crucero no se puede fijar en la velocidad absoluta más rápida del tractor. Si el operador intentara hacerlo, el tractor se desacelerará automáticamente a la velocidad de corte absoluta óptima y más rápida.

Para cambiar la dirección de desplazamiento de adelante a marcha atrás cuando el control de crucero está acoplado, oprima el pedal de freno para desacoplar y haga que el tractor se detenga por completo. Luego presione lentamente el pedal de marcha atrás con la almohadilla del pie para desplazarse marcha atrás.

Uso de la palanca de elevación de la plataforma


Para subir o bajar la plataforma de corte, mueva la palanca de elevación hacia la izquierda y luego colóquela en la muesca que mejor se adapte a la aplicación deseada.

Funcionamiento de los faros delanteros

Los faros están ENCENDIDOS cuando se gira la llave de encendido fuera de la posición STOP . Los faros se apagan (OFF) cuando se coloca la llave de encendido en la posición STOP .

Acople de la PTO (Tractores con PTO eléctrica)

Al conectar la PTO se suministra energía a la plataforma de corte y a otros accesorios (disponibles por separado). Para conectar la PTO:

1. Mueva el acelerador a la posición FAST  (rápido).
2. Tire del interruptor de la PTO hacia arriba/afuera a la posición de acople (ON). Consulte Figura 5-3.

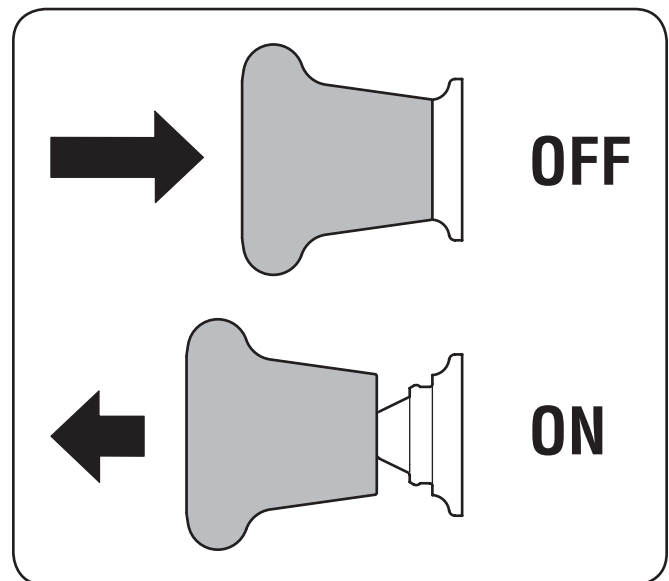




Figura 5-3

NOTA: Cuando haga funcionar el tractor asegúrese de que el acelerador esté siempre en la posición FAST  (rápida). Funcionar con el acelerador a menos de máxima velocidad puede acortar la vida útil de la batería producir un corte de mala calidad.

3. To desacoplar la PTO, presione el interruptor de la PTO para abajo/adentro a la posición de desacople (OFF).

Acople de la PTO (Tractores con PTO manual)

Al conectar la PTO se suministra energía a la plataforma de corte y a otros accesorios (disponibles por separado). Para conectar la PTO:

1. Mueva el acelerador a la posición FAST  (rápido).
2. Empuje la palanca de la PTO hacia adelante a la posición de acople (ON). Consulte Figura 5-4.

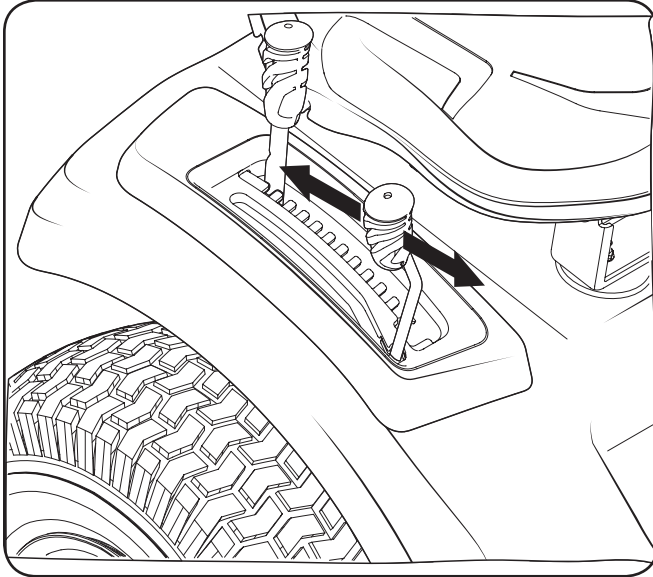



Figura 5-4

NOTA: Cuando haga funcionar el tractor asegúrese de que el acelerador esté siempre en la posición FAST  (rápida). Funcionar con el acelerador a menos de máxima velocidad puede acortar la vida útil de la batería producir un corte de mala calidad.


3. To desacoplar la PTO, tire de la palanca de la PTO hacia atrás a la posición de desacople (OFF).

Corte de césped



¡ADVERTENCIA! Asegúrese que el área donde se va a cortar esté libre de desechos, ramitas, piedras, cables u otros objetos que puedan ser arrojados por las cuchillas rotativas.

NOTA: No acople la plataforma de corte cuando esté baja sobre el pasto. Se produce el desgaste prematuro y la posible falla de la correa y del embrague de la PTO. Antes de enganchar la plataforma de corte, levante totalmente la plataforma o lleve la máquina a un área donde no haya césped.

1. Corte en las pendientes hacia arriba y hacia abajo, no de manera transversal.
2. Evite realizar giros cuando opere en una pendiente. Si debe realizar un giro, hágalo pendiente abajo. Subir una pendiente aumenta enormemente las posibilidades de que el vehículo dé una vuelta de campana.
3. Evite detenerse cuando suba una pendiente. Si fuese necesario detenerse mientras sube una pendiente, comience suave y con cuidado para reducir la posibilidad de que el tractor se dé vuelta hacia atrás.
4. Coloque el acelerador en la posición FAST  (rápido) y acople la PTO.

5. Baje la plataforma de corte al ajuste de altura deseado usando la manija de elevación de la plataforma.
6. Presione lentamente el pedal de marcha adelante con el pie derecho hasta alcanzar la velocidad deseada.
NOTA: La velocidad del tractor afecta la calidad del corte que realiza la cortadora. Si realiza el corte a máxima velocidad la calidad se ve afectada negativamente. Controle la velocidad absoluta con el pedal de marcha adelante
7. Cuando se acerque al otro extremo de la franja, reduzca la velocidad o deténgase antes de girar.
8. Alinee la cortadora de césped con un borde de la franja cortada y superponga la pasada aproximadamente 3 pulgadas.
9. Oriente el tractor en cada franja subsiguiente de modo que se alinee con la franja ya cortada.
10. Para evitar la formación de surcos o ranuras en el césped, en lo posible varíe la dirección de las franjas de corte aproximadamente 45° en cada corte subsiguiente.



¡ADVERTENCIA! Tenga sumo cuidado al atravesar senderos de grava o caminos de acceso. Desenganche la toma de fuerza (PTO) y levante la plataforma hasta la posición más alta antes de cruzar.

NOTA: Siempre que detenga el tractor por cualquier razón en un área de césped, haga lo siguiente:

- Compruebe que los pedales de marcha se encuentran en punto muerto.
- Ponga el freno de mano.
- Apague el motor y retire la llave.
- Eso permitirá reducir al mínimo la posibilidad de que su césped resulte "quemado" por el escape caliente del motor en funcionamiento.

Programa de mantenimiento

	Antes de cada uso	Después de las primeras 5 horas	Cada 10 horas	Cada 25 horas	Cada 50 horas	Cada 100 horas	Antes de almacenar	Consulte el manual del motor
Revise y limpie de residuos los ventiladores de refrigeración del motor	✓						✓	
Revise el nivel de aceite del motor.	✓							
Revise si el filtro de aire está sucio, flojo o tiene piezas dañadas	✓							
Limpie los bornes de la batería			✓				✓	
Engrase todos los puntos de lubricación				✓			✓	
Limpie las lumbreras del capó/panel del tablero			✓				✓	
Revise el filtro de admisión/limpie si corresponde			✓				✓	
Revise las cuchillas/afíle o reemplace si corresponde			✓				✓	
Revise la presión de los neumáticos			✓				✓	
Compruebe/Limpieza superior e inferior de la plataforma			✓					
Inspeccione y lubrique las ruedas de la plataforma				✓			✓	
Revise el nivel/inclinación de la plataforma				✓			✓	
Revise las correas y poleas viendo se están dañadas/gastadas					✓			
Compruebe que todo el hardware está en su lugar y asegurado						✓		
Controle el estado y la separación de la bujía de encendido						✓	✓	✓
Cambio del aceite del motor de ablande		✓						✓
Cambie el aceite del motor					✓		✓	✓
Reemplace el filtro de aceite					✓		✓	✓
Limpie o cambie el filtro de aire					✓			✓
Reemplace el filtro de combustible					✓			✓
Haga revisar y ajustar la holgura de la válvula *								✓

* -- Solicite a un distribuidor de servicio autorizado que realice este servicio

NOTA: Este manual de operación cubre distintos modelos. Las características del tractor pueden variar según los modelos. No todas las características en este manual se aplican a todos los modelos de tractor y la máquina que se ilustra aquí puede diferir de la suya.



¡ADVERTENCIA! Antes de realizar tareas de mantenimiento o reparaciones, desconecte la PTO, ponga el freno de mano, apague el motor y retire la llave para evitar el encendido accidental del motor.

Batería



ADVERTENCIA PROPOSICIÓN 65 DE CALIFORNIA Los postes, los bornes y los accesorios relacionados a la batería contienen plomo y compuestos de plomo, sustancias químicas que según lo establecido por el Estado de California causan cáncer y daños en el sistema reproductivo. Lávese las manos después de estar en contacto con estos componentes.

La batería está sellada y no necesita mantenimiento. Los niveles de ácido no se pueden controlar y no se puede agregar líquido.

- Siempre mantenga limpios y libres de acumulación de elementos corrosivos los cables y los bornes de la batería.
- Después de limpiar la batería y los bornes, aplique una capa delgada de vaselina o grasa a ambos bornes.



PRECAUCIÓN: Si quita la batería para limpiarla, desconecte primero el cable NEGATIVO (negro) de su terminal y a continuación el cable POSITIVO (rojo). Cuando vuelva a instalar la batería, conecte siempre primero el cable POSITIVO (rojo) a su borne, y a continuación el cable NEGATIVO (negro). Asegúrese de que los cables estén conectados a los terminales correctos, ya que si los invierte se podría dañar gravemente el sistema alternador del motor.

Motor

Consulte las instrucciones y procedimientos de mantenimiento del motor en el Manual del Operador.

NOTA: Si aparece el texto "LOW OIL" inmediatamente después de que el motor arranca la presión de aceite puede estar baja. Esto es normal. Si la indicación de poco aceite persiste, pare el tractor inmediatamente y compruebe el nivel de aceite del motor según las instrucciones del Manual del operador del motor.

NOTA: La función "Poco aceite" solo funciona si el motor tiene un interruptor de presión de aceite.

Cambio de aceite del motor



¡ADVERTENCIA! Si el motor ha estado en funcionamiento recientemente, el motor, el silenciador y las superficies metálicas circundantes estarán calientes y pueden causar quemaduras en la piel. Tenga precaución para evitar quemaduras.

Para realizar el cambio de aceite, proceda de la siguiente manera:

1. Haga funcionar el motor por un período corto para calentar el aceite del motor. El aceite fluirá mejor y limpiará las impurezas. Tenga cuidado y evite quemarse con el aceite caliente.
2. Ubique el orificio de drenaje de aceite del lado izquierdo del motor.
3. Coloque un recipiente adecuado para recolectar el aceite con al menos una capacidad de 2,5 cuartos de galón debajo de la abertura del tubo de drenaje de aceite, para recoger el aceite usado. Retire el tapón de llenado de aceite/la varilla de nivel de aceite del tubo de llenado.

4. Retire la manguera de drenaje de aceite de la traba del lado izquierdo del chasis. Consulte Figura 6-1.

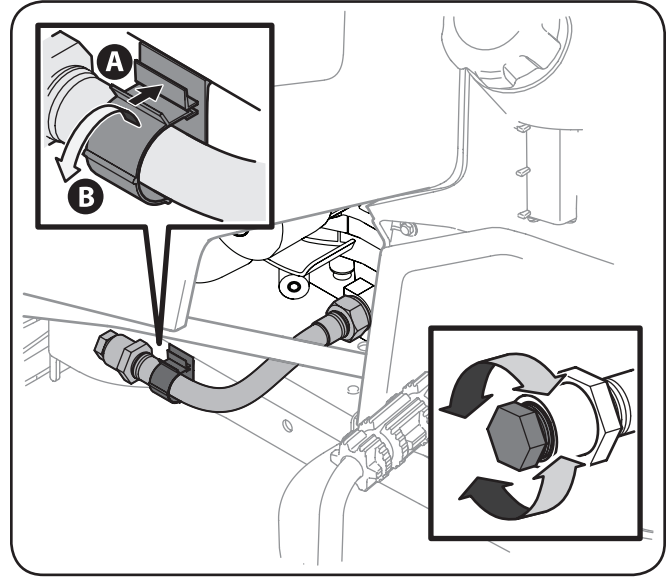


Figura 6-1

5. Retire el tapón de la manguera de drenaje de aceite del extremo de la manguera. Consulte Figura 6-1. Drene el aceite del motor dentro del recipiente.
6. Una vez que haya drenado el aceite, limpie el aceite residual de la manguera de drenaje. Vuelva a colocar el tapón en la manguera de drenaje y apriete fuerte. Vuelva a colocar la manguera de drenaje de aceite en la traba y asegúrela.
7. Vuelva a colocar el filtro de aceite y cargue el motor con aceite nuevo según las instrucciones del manual de operador del motor.
8. Para cargar el aceite, vuelva a colocar el tapón en el extremo del tubo y consulte el manual del operador del motor para obtener instrucciones de recarga, el tipo de aceite y cantidad.

NOTA: El mantenimiento, reparación o reemplazo de los dispositivos y sistemas del control de emisiones, que corre por cuenta del cliente, puede realizarlo cualquier establecimiento o individuo especializado en reparaciones de motores. **Los arreglos en garantía deben ser realizados por un distribuidor Cub Cadet.**

Transmisión hidrostática

La transmisión hidrostática viene sellada de fábrica y no tiene mantenimiento alguno. No se puede controlar el nivel de fluido ni se puede cambiar el líquido.

Ajuste punto muerto hidrostático

Si el tractor arrastra hacia adelante o hacia atrás cuando ni el futuro ni revertir pedal está deprimido, póngase en contacto con su distribuidor local Cub Cadet que realice el ajuste neutral correctamente ajustado.

Limpieza del tractor

Si se derrama combustible o aceite sobre la máquina, debe limpiarse de inmediato. NO permita que se acumulen desechos alrededor de las aletas de refrigeración del motor, el ventilador de refrigeración de la transmisión, o ninguna otra parte de la máquina.

Smart Jet

La plataforma de su tractor está equipada con un puerto de agua sobre su superficie como parte del sistema de lavado de la plataforma.

Utilice el Smart Jet para desalojar los recortes de césped de la parte inferior de la plataforma e impedir la acumulación de sustancias químicas corrosivas. Realice los siguientes pasos DESPUÉS DE CADA CORTE DE CÉSPED:

1. Dirija el tractor a una zona nivelada y despejada del césped, que se encuentre suficientemente cerca de una canilla de agua al alcance de la manguera del jardín.



PRECAUCIÓN: Asegúrese de que el canal de descarga del tractor se dirige lejos de la gente, su casa, garaje, coches aparcados, etc.etc.

2. Desconecte la toma de fuerza (PTO), aplique el freno de mano y detenga el motor.
3. Enrosque el acople de manguera (embalado con el Manual del Operador de su tractor) en el extremo de la manguera de jardín.
4. Una el acople de la manguera al puerto de agua que se encuentra en la superficie de la plataforma. Consulte Figura 6-2.

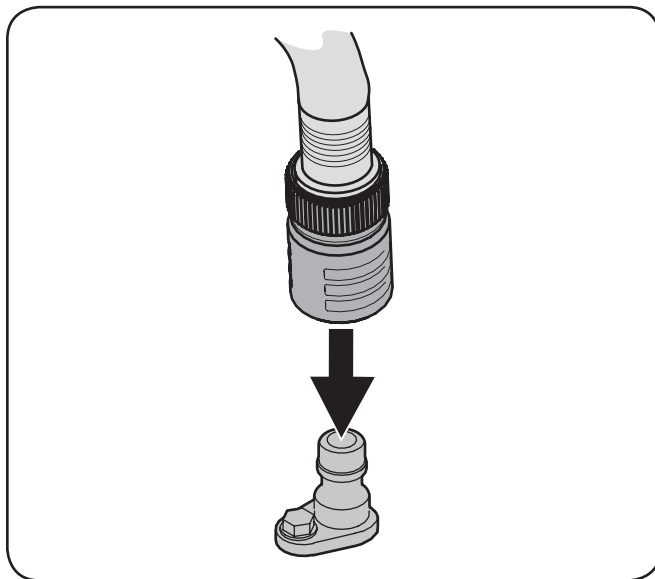




Figura 6-2

5. Abra el suministro de agua.
6. Mientras está sentado en la posición del operador del tractor, arranque el motor y coloque la palanca del regulador en la posición FAST  (velocidad rápida).
7. Mueva la PTO del tractor a la posición de acople (ON).
8. Permanezca en la posición del operador con la plataforma de corte enganchada durante dos minutos como mínimo, permitiendo que la parte inferior de la plataforma de corte se lave a fondo.
9. Mueva la PTO del tractor a la posición de desacople (OFF).
10. Gire la llave de encendido a la posición STOP  (parar) para apagar el motor del tractor.

11. Desconecte el agua y retire el acoplador de la manguera desde el puerto de agua que se encuentra en la superficie de la plataforma.

NOTA: En las plataformas de 50 y 54 pulgadas hay dos puertos de agua; uno a cada lado de la plataforma.

12. Después de limpiar la plataforma con el sistema Smart Je, regrese a la posición del operador y conecte la PTO. Mantenga la plataforma de corte en funcionamiento durante dos minutos por lo menos para permitir que se seque totalmente la parte inferior de la misma.

Lubricación



¡ADVERTENCIA! Antes de lubricar, reparar o inspeccionar, desacople la PTO, ponga el freno de mano, pare el motor y retire la llave, para evitar el arranque accidental.

Ruedas delanteras

Cada uno de los ejes y llantas de las ruedas delanteras viene equipado con un dispositivo de engrase. Consulte Figura 6-3 para ver la ubicación del dispositivo de engrase en los ejes y Figura 6-4 para ver la ubicación del dispositivo de engrase en las llantas. Lubrique con una grasa multiuso No. 2 aplicada con una pistola de engrase cada 25 horas de funcionamiento del tractor.

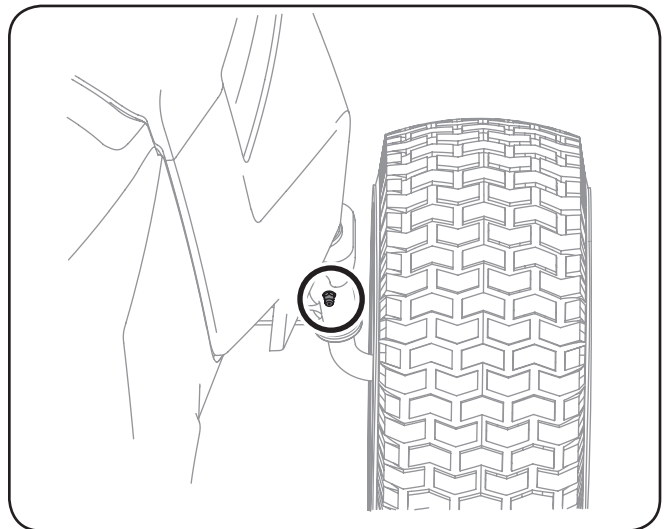


Figura 6-3

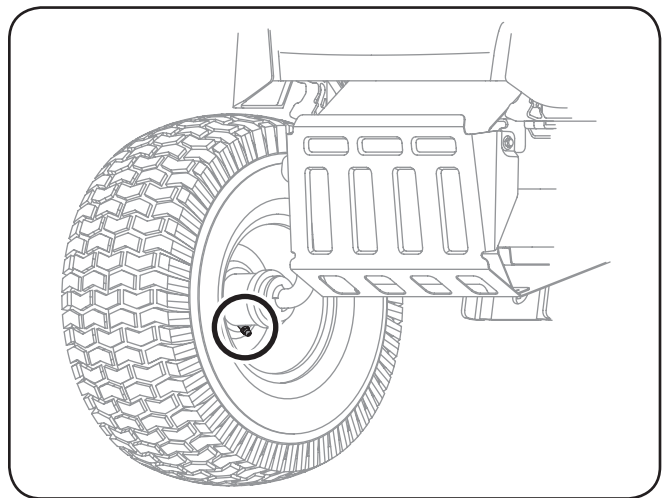


Figura 6-4

Ruedas de la plataforma

Las ruedas de la cubierta, que son de forma esférica (50" y 54" cubiertas tienen 4) están equipados con un accesorio de engrase. Lubrique con una grasa multiuso No. 2 aplicada con una pistola de engrase cada 25 horas de funcionamiento del tractor.

Puntos de pivote y varillaje

Lubrique todos los puntos de pivote del sistema de impulsión, el freno de mano y el varillaje de elevación al menos una vez por temporada con aceite ligero.

Ajustes



¡ADVERTENCIA! Apague el motor, retire la llave de encendido y coloque el freno de mano antes de realizar ajustes. Proteja sus manos utilizando guantes reforzados cuando manipule las cuchillas.

NOTA: Controle la presión de neumáticos del tractor antes de realizar cualquier nivelación de la plataforma. Consulte la sección Neumáticos en la página 11 para obtener información sobre la presión de los neumáticos.

Ajuste de la plataforma

Nivelación de la plataforma (de adelante hacia atrás)

El frente de la plataforma de corte se apoya en una barra estabilizadora que se puede ajustar para la nivelación frontal-posterior de la plataforma. El frente de la plataforma debe estar entre $\frac{1}{4}$ " y $\frac{3}{8}$ " más bajo que la parte posterior de la plataforma. De ser necesario, realice un ajuste de la siguiente manera:

1. Con el tractor estacionado sobre una superficie firme y nivelada, coloque la palanca de elevación de la plataforma en la posición media y gire la cuchilla más cercana al canal de descarga para que quede perpendicular al tractor.
2. Mida la distancia desde la parte delantera de la punta de la cuchilla hasta el suelo y la parte trasera de la punta de la cuchilla hasta el suelo. La parte frontal de la plataforma debe estar entre $\frac{1}{4}$ " y $\frac{3}{8}$ " menos que la parte trasera de la cubierta.

Determine la distancia aproximada necesaria para un ajuste adecuado y, de ser necesario, proceda.

1. Para *eleva*r el frente de la plataforma, afloje la tuerca exterior y apriete (rosca hacia adentro) la tuerca contra el soporte de suspensión delantera. Consulte Figura 6-5. Cuando se logra el ajuste correcto, vuelva a apretar la tuerca exterior de 25-30 ft-lbs.

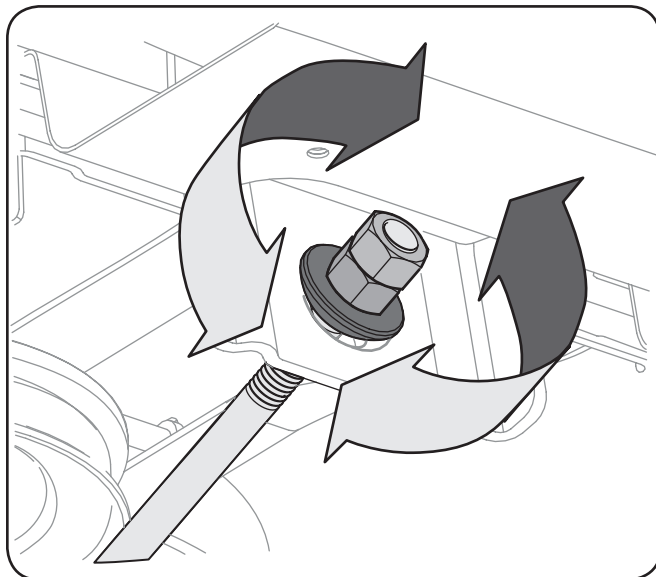


Figura 6-5

2. Para *bajar* el frente de la plataforma, afloje la tuerca exterior y afloje (rosca hacia afuera) la tuerca, lejos del soporte de suspensión delantera. Consulte Figura 6-5. Cuando se logra el ajuste correcto, vuelva a apretar la tuerca externa.

Nivelación de la plataforma (de lado a lado)

Si la plataforma de corte estuviera realizando el corte de césped de forma despereja, puede realizarse un ajuste lado a lado. De ser necesario, realice un ajuste de la siguiente manera:

1. Con el tractor estacionado sobre una superficie firme y nivelada, coloque la palanca de elevación de la plataforma en la posición media y rote las dos cuchillas para que queden perpendiculares al tractor.
2. Mida la distancia desde la parte externa de la punta de la cuchilla izquierda hasta el piso, y desde la parte externa de la punta de la cuchilla derecha hasta el piso. Las dos mediciones obtenidas deben ser iguales. Si no lo son, realice el siguiente paso.
3. Debajo de los guardabarros traseros dentro de las ruedas hay una varilla de ajuste de elevación para cada lado de la plataforma. Consulte Figura 6-6.

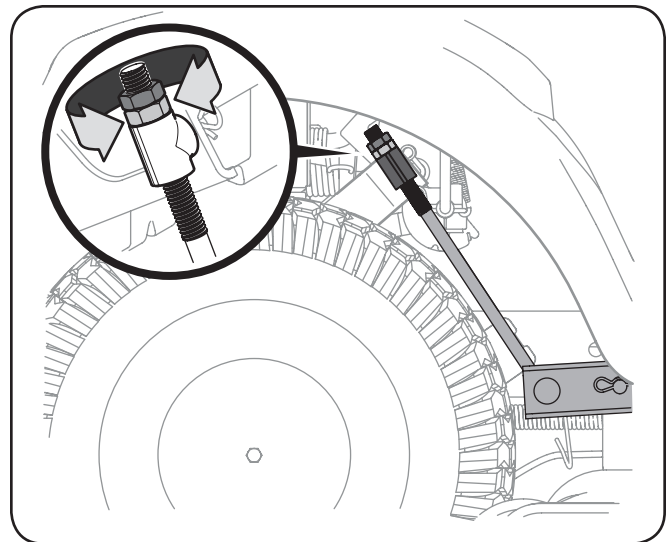


Figura 6-6

4. Los ajustes de lado a lado menores se deben hacer usando principalmente la varilla de ajuste izquierda.
5. Para elevar el lado izquierdo de la plataforma, afloje la tuerca superior del extremo de la varilla de elevación, y gire la tuerca inferior a la derecha. Cuando logra el ajuste correcto, apriete la tuerca superior para asegurarla en su lugar. Para bajar el lado izquierdo de la plataforma, afloje la tuerca superior del extremo de la varilla de elevación, luego gire la tuerca inferior a la izquierda. Cuando se logra el ajuste correcto, apriete la tuerca superior a 25-30 ft-lbs. para asegurar en su lugar.
6. La plataforma se encuentra correctamente nivelada cuando las dos mediciones que se tomaron anteriormente desde las puntas de las cuchillas son iguales.

Ajuste de la altura de la plataforma

La altura de la plataforma se puede ajustar para asegurar que la configuración de la palanca de altura de la plataforma es precisa. Para ajustar la altura de la plataforma proceda de la siguiente manera:

1. Con el tractor estacionado sobre una superficie firme y nivelada, coloque la palanca de elevación de la plataforma en la posición más alta (4") y gire la cuchilla más cercana al canal de descarga para que quede perpendicular al tractor.

2. Mida la distancia desde la parte externa de la punta de la cuchilla izquierda hasta el piso, y desde la parte externa de la punta de la cuchilla derecha hasta el piso. Las dos mediciones obtenidas deben ser 4 pulgadas. Si no lo son, realice el siguiente paso.
3. Usando las varillas de elevación derecha e izquierda, eleve o baje la parte necesaria de la plataforma hasta que ambos lados se encuentren a 4" del pavimento.

Ajuste de las ruedas de la plataforma



¡ADVERTENCIA! Mantenga las manos y pies alejados de la abertura de descarga de la plataforma de corte.

NOTA: Las ruedas de la plataforma constituyen un mecanismo para el cuidado del césped y no fueron diseñadas para soportar el peso de la plataforma de corte.

Las ruedas de la plataforma deben estar aproximadamente a ¼-½" por encima del suelo cuando la plataforma se encuentra en el ajuste de altura deseado. Para obtener instrucciones sobre cómo ajustar las ruedas de la plataforma consulte la sección Montaje y Configuración.

Ajuste del asiento

Consulte en la sección Montaje y Configuración de este manual las instrucciones para el ajuste del asiento.



¡ADVERTENCIA! Antes de hacer funcionar el tractor, compruebe que el asiento está enganchado en el tope del asiento. Ponga el tractor a un distribuidor de servicio autorizado para que le realicen una alineación de ruedas correcta.

Ajuste del freno de mano

Si el tractor no se detiene por completo cuando se presiona totalmente el pedal del freno, o si las ruedas traseras del tractor siguen rodando con el freno de mano colocado (y la válvula de descarga hidrostática abierta) el freno necesita ajustes. Consulte con su distribuidor Cub Cadet para realizar un ajuste del freno.

Alineación de las ruedas

Si el tractor tira hacia un lado o está desalineado, podría ser necesario alinear las ruedas. Lleve el tractor a un distribuidor de servicio autorizado para que le realicen una alineación de ruedas correcta.

Almacenamiento fuera de temporada

Almacenamiento del tractor cortacésped

Si el tractor cortacésped no va a funcionar por un período prolongado (desde treinta días hasta aproximadamente seis meses), se lo debe preparar para el almacenamiento. Guarde el tractor cortacésped en un lugar seco y protegido. Si lo guarda afuera, cúbralo (incluidos los neumáticos) para protegerlo de los fenómenos climáticos. Cada vez que se prepara el tractor cortacésped para dejarlo fuera de uso se deben realizar los procedimientos descritos más abajo.

1. Cambie el aceite y filtro de motor según las instrucciones suministradas en el manual del motor.



¡ADVERTENCIA! Nunca guarde el tractor cortacésped con combustible en el depósito en un lugar cerrado o con escasa ventilación, donde los gases del combustible pueden generar fuego, chispas o encender una luz piloto como la de hornos, calentadores de agua, secadores de ropa, etc.

2. Realice el mantenimiento del motor como se indica en el manual del motor por separado.

3. Para almacenar motores entre 30 y 90 días es necesario tratarlos con un estabilizador de gasolina, como el **STA-BIL**® y para almacenarlos durante más de 90 días se debe drenar el combustible para evitar deterioros y la formación de depósitos de goma en el sistema de combustible o en piezas fundamentales del carburador. Si la gasolina en su motor se deteriora durante el almacenamiento, puede resultar necesario reparar o reemplazar el carburador y otros componentes del sistema de combustible.



ADVERTENCIA: Drene el combustible únicamente dentro de un recipiente aprobado y al aire libre, lejos de cualquier llama expuesta. Deje que el motor se enfríe. Apague cigarrillos, cigarros, pipas y otras fuentes de combustión antes de drenar el combustible.

3. Retire las bujías y vierta aproximadamente una onza de aceite en cada cilindro. Haga arrancar el motor una o dos vueltas para que el aceite se distribuya de forma pareja en las paredes del cilindro. Vuelva a colocar las bujías.
4. Limpiar el motor y toda la unidad.

NOTA: No se recomienda el uso de una lavadora de presión ni de una manguera de jardín para limpiar el tractor cortacésped. Pueden producir daños a los componentes eléctricos, husillos, poleas, rodamientos o al motor. El uso de agua acortará la vida útil de la máquina y reducirá su capacidad de servicio.
5. Afile las cuchillas para que la máquina esté lista para el uso cuando necesite usarla.
6. Proteja las superficies metálicas. Repare las rayas con pintura de retoque adecuada en aerosol.
7. Limpie y cargue totalmente la batería, luego desconecte el cable negativo de la batería para evitar posibles descargas. Vuelva a cargar la batería periódicamente durante el almacenamiento.

NOTA: Retire la batería si está expuesta a períodos prolongados de temperaturas inferiores al congelamiento. Guarde en un lugar fresco y seco, donde las temperaturas estén por encima del punto de congelamiento.

8. Lubrique todos los puntos de lubricación.
9. Levante la máquina y guárdela sobre bloques para que el peso no se apoye sobre los neumáticos.

Retiro del tractor cortacésped del lugar de almacenamiento

1. Controle el nivel de aceite de motor.
2. Cargue totalmente la batería, baje el tractor cortacésped de los bloques e infle los neumáticos a la presión recomendada.
3. Retire las bujías y límpielas. Con el arrancador, arranque el motor para bombear el exceso de aceite y sacarlo de los orificios de las bujías. Vuelva a colocar las bujías y los conductores de encendido.
4. Si se vació el depósito de combustible antes de guardar el tractor, llénelo con gasolina limpia y nueva.
5. Arranque el motor y déjelo andar en ralentí unos cuantos minutos para asegurar que su funcionamiento sea adecuado.
6. Conduzca el tractor cortacésped sin carga para estar seguro de que todos los sistemas del tractor funcionan correctamente.

Batería



ADVERTENCIA PROPOSICIÓN 65 DE CALIFORNIA:

Los postes, los bornes y los accesorios relacionados a la batería contienen plomo y compuestos de plomo, sustancias químicas que según lo establecido por el Estado de California causan cáncer y daños en el sistema reproductivo. Lávese las manos después de estar en contacto con estos componentes.



PRECAUCIÓN: Si extrae la batería, desconecte primero el cable NEGATIVO (negro) de su borne y a continuación el cable POSITIVO (rojo). Cuando vuelva a instalar la batería, conecte siempre primero el cable POSITIVO (rojo) a su borne, y a continuación el cable NEGATIVO (negro).

Arranque con cables de puente



¡ADVERTENCIA! Nunca arranque una batería dañada o congelada con conexiones en puente. Asegúrese de que los vehículos no se toquen y los motores están apagados. No permita que las pinzas de los cables se toquen.

1. Conecte el cable positivo (+) al borne positivo (+) de la batería descargada de su tractor.
2. Conecte el otro extremo del cable al borne positivo (+) de la batería con carga.
3. Conecte el segundo cable negativo(-) al otro borne de la batería con carga.
4. Haga la conexión final al bloque del motor del tractor, alejado de la batería. Acople a una parte sin pintura para asegurarse de que haya una buena conexión.



PRECAUCIÓN: Si la batería con carga está instalada en el vehículo (es decir automóvil, camión) NO ponga en marcha el motor del vehículo cuando arranque su tractor con conexiones en puente.

5. Arranque el tractor (según las instrucciones de la sección Funcionamiento de este manual).
6. Retire los cables de arranque en el orden inverso de conexión.

Duración



¡ADVERTENCIA! Al cargarse, las baterías emiten un gas que puede causar explosiones. Cargue la batería en un área bien ventilada y manténgala alejada de una llama expuesta o piloto, como los de los calentadores de agua, calefactores de ambiente, hornos, secadores de ropa y otros aparatos a gas.



PRECAUCIÓN: Cuando cargue la batería de su tractor, utilice únicamente un cargador diseñado para baterías de plomo-ácido de 12V. Lea el manual del operador del cargador de la batería antes de cargar la batería de su tractor. Siempre siga las instrucciones y tenga en cuenta las advertencias.

Si su tractor no se ha utilizado durante un período de tiempo prolongado, cargue la batería de la siguiente manera:

1. Ajuste el cargador de batería para que produzca un máximo de 10 amperios.
2. Si su cargador de batería es automático, cargue la batería hasta que el cargador indique que se ha completado la carga. Si el cargador no es automático, cargue durante ocho horas como mínimo.

Fusible



¡ADVERTENCIA! Antes de hacer el servicio, reparar o inspeccionar, siempre desacople la PTO, ponga el freno de mano, pare el motor y retire la llave, para evitar el arranque accidental.

En el mazo de cables de su tractor está instalado un fusible de 20 amperios, para proteger el sistema eléctrico del tractor de los daños causados por exceso de amperaje.

Si el sistema eléctrico no funciona, o el motor de su tractor no arranca, verifique que el fusible no se haya quemado. Se encuentra ubicado debajo del asiento, conectado al cable POSITIVO (rojo) que conduce a la batería.



PRECAUCIÓN: Utilice siempre un fusible de repuesto con la misma capacidad de amperaje que el fusible quemado.

Relés e interruptores

Hay varios interruptores de seguridad en el sistema eléctrico. Si una función del sistema de bloqueo de seguridad descrito antes no funciona adecuadamente, haga que el distribuidor Cub Cadet revise el sistema eléctrico.

Extracción de la plataforma de corte

Para extraer la plataforma de corte, proceda de la siguiente manera:

1. Coloque la PTO en la posición desacoplada (OFF) y ponga el freno de mano.
2. Baje la plataforma colocando la palanca de elevación de la plataforma dentro de la muesca inferior del guardabarros derecho.
3. Para tractores con PTO manual continúe con el paso 4, para modelos con PTO eléctrica salte al paso 7.
4. Afloje, pero no quite la tuerca de seguridad con brida de la polea loca derecha y el tornillo hexagonal de la polea izquierda.
5. Saque el tornillo hexagonal que asegura la varilla guardapolea del motor al chasis. Consulte Figura 7-1.

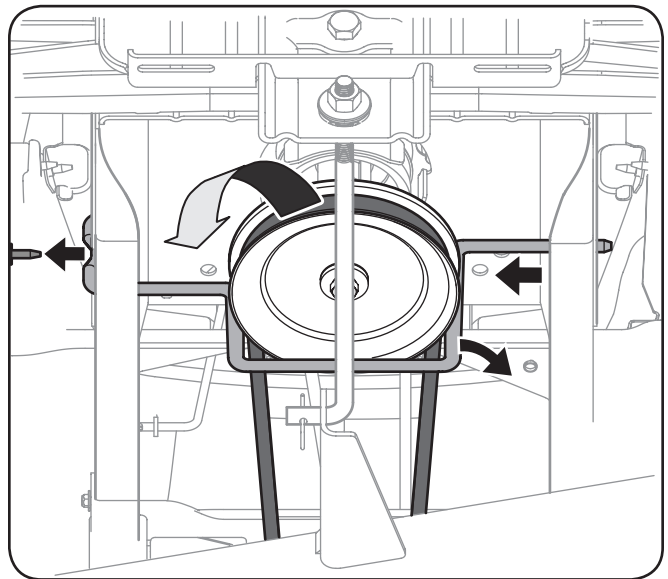


Figura 7-1

6. Deslice la varilla hacia la derecha para sacarla.

- Trabajando en el lado derecho del tractor, inserte una llave de trinquete de $\frac{3}{8}$ " pulgadas para *ajustar*, en el orificio cuadrado de la ménsula intermedia. Consulte Figura 7-2.

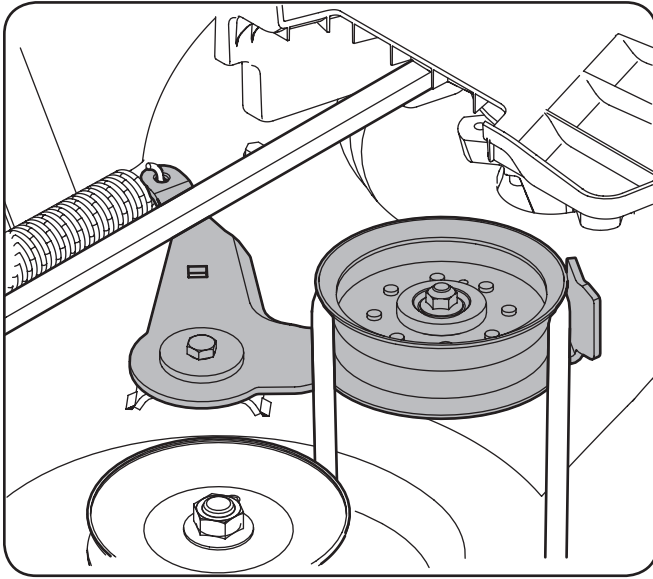


Figura 7-2

- Pivote la llave hacia adelante para mover la polea de transmisión de la plataforma hacia adelante. Consulte Figura 7-2.



¡ADVERTENCIA! Evite las lesiones por compresión. Al instalar la correa, no coloque nunca los dedos en el resorte intermedio o entre la correa y una polea.

- Extraiga con cuidado la correa de alrededor de la polea de la PTO.
- Mirando hacia la plataforma de corte desde el lado izquierdo del tractor, ubique el pasador de chaveta del lado posterior izquierdo de la plataforma. Consulte Figura 7-3.

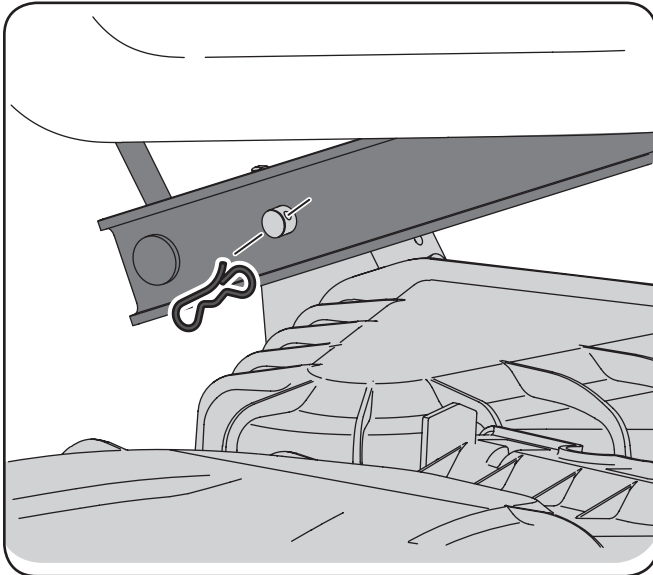


Figura 7-3

- Retire el pasador y saque el pasador de la plataforma del brazo de elevación de la misma. Consulte Figura 7-3.
- Repita los pasos anteriores del lado derecho del tractor.

- Tire del pasador de chaveta hacia afuera de la varilla de elevación delantera de la plataforma que la sujeta a la plataforma. Consulte Figura 7-4. Saque la varilla de elevación de la plataforma de la ménsula de suspensión frontal.

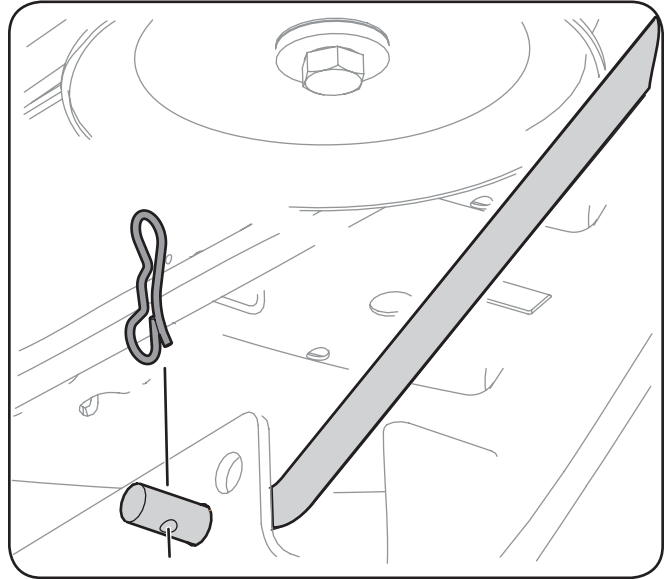


Figura 7-4

- Mueva la palanca de elevación de la plataforma a la muesca superior para levantar el elevador de la plataforma y sacarlo del camino.
- Deslice suavemente la plataforma de corte hacia afuera desde la parte inferior del tractor.

Cuchillas de corte



¡ADVERTENCIA! Apague el motor y extraiga la llave de contacto antes de retirar las cuchillas de corte para afilarlas o reemplazarlas. Proteja sus manos utilizando guantes reforzados para sujetar las cuchillas.



¡ADVERTENCIA! Inspeccione periódicamente la cuchilla y/o el husillo en busca de rajaduras o daños, especialmente después de golpear un objeto extraño. No opere la máquina hasta después de haber reemplazado los componentes dañados.

Para retirar las cuchillas, haga lo siguiente.

- Retire la plataforma desde abajo del tractor, (consulte la sección Retiro de la plataforma de corte anteriormente en esta sección) luego voltee con delicadeza la plataforma para visualizar su parte inferior.

- Coloque un bloque de madera entre el deflector del alojamiento de la plataforma y la cuchilla de corte para que actúe como estabilizador. Consulte Figura 7-5.

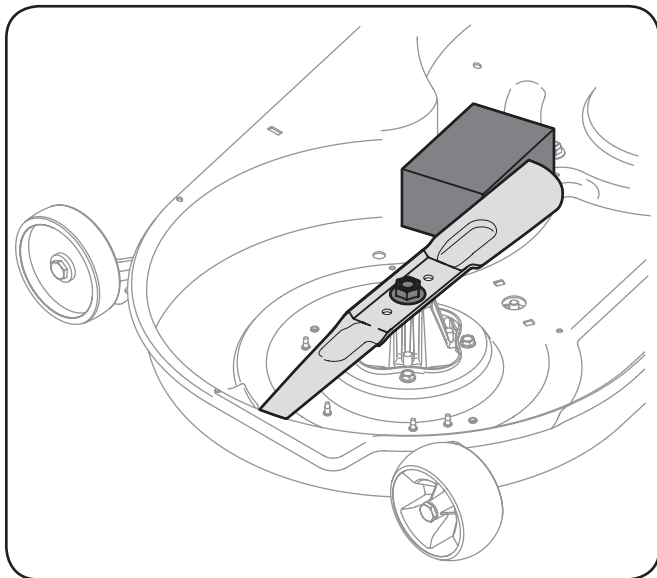


Figura 7-5

- Extraiga la tuerca de brida hexagonal que asegura la cuchilla al montaje del husillo. Consulte Figura 7-5.
- Para afilar las cuchillas de corte de forma adecuada, extraiga cantidades iguales de metal de ambos extremos de las cuchillas a lo largo de los bordes cortantes, paralelo al borde de caída y a un ángulo de 25° a 30°. Afíle siempre cada borde de las cuchillas de corte de forma pareja para mantener un equilibrio adecuado entre las mismas. Consulte Figura 7-6.

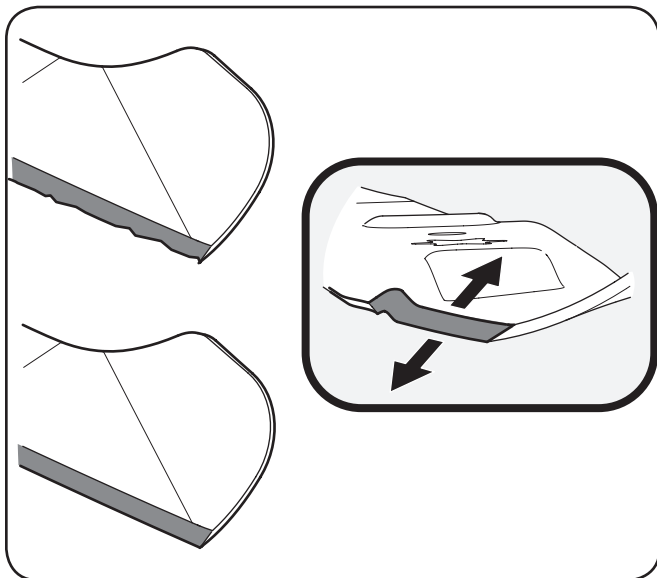


Figura 7-6



PRECAUCIÓN: Si el borde de corte de la cuchilla ha sido afilado previamente o si existe una separación de metal, reemplace las cuchillas por otras nuevas.



¡ADVERTENCIA! Una cuchilla mal equilibrada causará exceso de vibración y puede dañar el tractor y/o causar lesiones personales.

- Pruebe el equilibrio de la cuchilla usando un compensador de cuchillas. Afíle el metal del lado pesado hasta que quede bien equilibrada.

NOTA: Cuando reemplace la cuchilla, asegúrese de instalarla con el lado marcado "Bottom" (inferior) (o con el lado que posee un número de pieza estampado) mirando al piso cuando la cortadora de césped está en posición de operación.



PRECAUCIÓN: Utilice una llave de torsión para ajustar la tuerca de brida hexagonal del husillo de la cuchilla entre 70 y 90 pies-libras.

Cambio de la correa de la plataforma



¡ADVERTENCIA! Las correas en V de su tractor están especialmente diseñadas para engranar y desengranar con seguridad. Una correa de repuesto (no del fabricante original) puede ser peligrosa por no desengranar completamente. Para una máquina que funcione correctamente, utilice correas aprobadas por la fábrica.

Todas las correas del tractor se desgastan y se las debe cambiar si presentan signos de desgaste. Para cambiar o reemplazar la correa de la plataforma de su tractor, proceda de la siguiente manera:

- Saque la plataforma como se indicó anteriormente en esta sección en Extracción de la plataforma de corte.
- Afloje, pero no quite los accesorios a derecha e izquierda de la polea loca.

NOTA: En algunas plataformas puede ser necesario retirar las cubiertas de los husillos para sacar y/o instalar la correa nueva. Para retirar las cubiertas de los husillos, saque los tornillos que los sujetan a la plataforma.
- Saque con cuidado la correa de alrededor de las poleas locas y las poleas de los husillos.



¡ADVERTENCIA! Evite las lesiones por compresión. Al extraer la correa, no coloque nunca los dedos en el resorte intermedio o entre la correa y una polea.

- Coloque la correa nueva como se muestra en la figura correspondiente en las páginas siguientes. Consulte Figura 7-7 para plataformas de 42", Figura 7-8 para plataformas de 46" y Figura 7-9 para plataformas de 50" y 54".

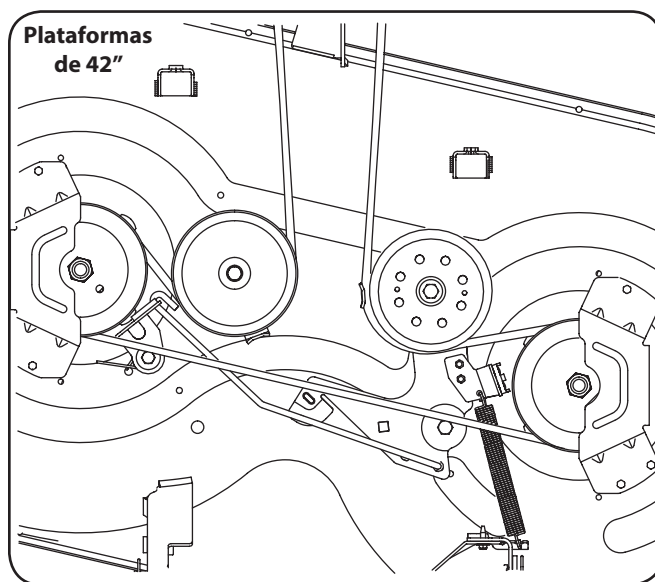


Figura 7-7

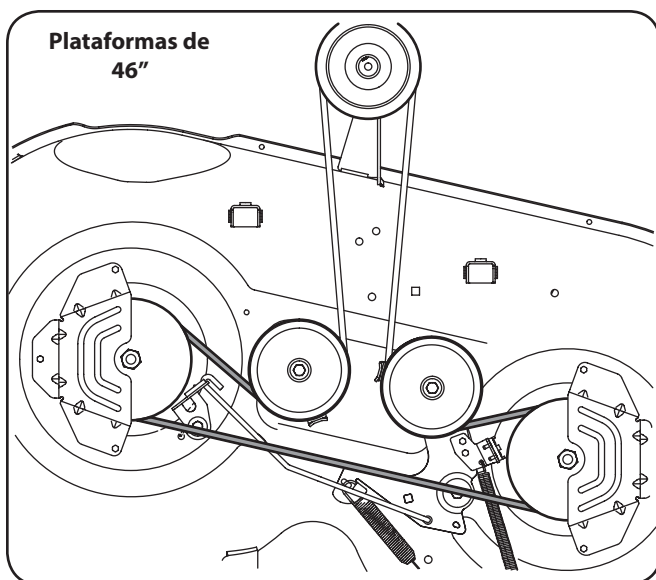


Figura 7-8

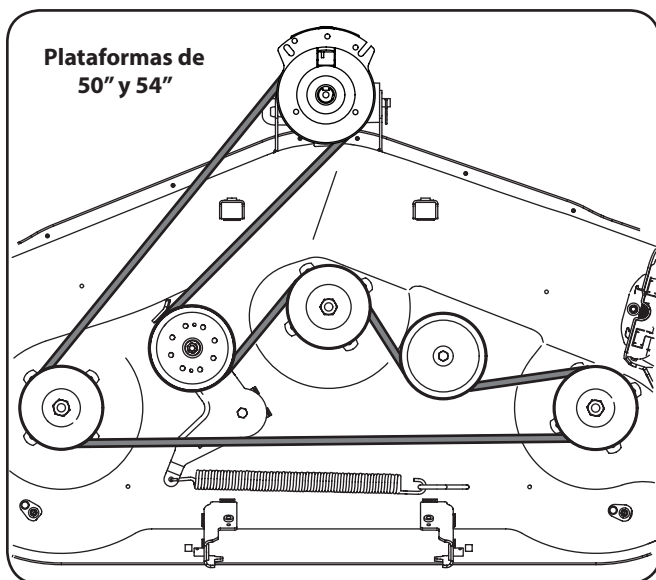


Figura 7-9

NOTA: Use una llave de trinquete de 1/2 de pulgada como se indica en pasos anteriores para colocar la correa nueva.

5. Vuelva a apretar las poleas locas, si se aflojaron anteriormente.
6. Vuelva a montar las cubiertas de los husillos se fueron retiradas.
7. Reinstale la plataforma, comprobando que la correa se ha pasado alrededor de las poleas como se indica.
8. En unidades con PTO manual, reinstale la varilla guardapolea del motor.

9. Tire del lado derecho de la correa y coloque el lado V angosto de la correa en la polea de la PTO. Consulte Figura 7-10.

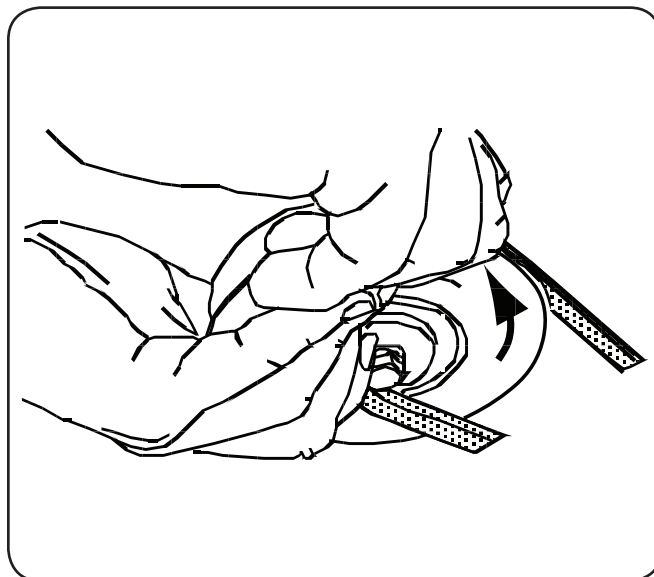


Figura 7-10

10. Mientras sostiene la correa y la polea juntas, rote la polea hacia la izquierda. Siga sosteniendo y rotando la polea y la correa hasta que la correa se enrolle totalmente en la polea de la PTO.

Cambio de la correa de transmisión

Para cambiar la correa de transmisión del tractor, se deben retirar varios componentes y se necesitan herramientas especiales. Solicite a su distribuidor Cub Cadet que realice el reemplazo de la correa de transmisión.

Problema	Causa	Solución
Vibración excesiva	<ol style="list-style-type: none">1. Cuchilla de corte floja.2. Cuchilla de corte dañada, desbalanceada o doblada.	<ol style="list-style-type: none">1. Apriete la cuchilla y el husillo.2. Reemplace la cuchilla.
Corte desigual	<ol style="list-style-type: none">1. La plataforma no está correctamente nivelada.2. Cuchilla desafilada o dañada.3. Presión de neumáticos desigual.	<ol style="list-style-type: none">1. Haga un ajuste de la plataforma de lado a lado.2. Afile o cambie la cuchilla.3. Verifique y corrija la presión de los cuatro neumáticos.

DECLARACIÓN FEDERAL y/o DE CALIFORNIA SOBRE GARANTÍAS EN EL CONTROL DE EMISIONES SUS DERECHOS Y OBLIGACIONES EN CUANTO A LA GARANTÍA

MTD Consumer Group Inc, la Agencia de Protección Medioambiental de los Estados Unidos (EPA), y para aquellos productos certificados para su venta en el estado de California, el Departamento de los Recursos del Aire de California (CARB) se complacen en explicar la garantía que evaporativo sistema de control de emisiones (ECS) de su equipo (equipos de exteriores) de encendido por chispa para todo terreno, pequeño, de exteriores del año 2014-2015. En California, los nuevos motores de equipos de exteriores deben estar diseñados, construidos y equipados para cumplir con las estrictas normas antipolución del Estado (en otros estados, equipos de exteriores deben ser estar diseñados, construidos y equipados para cumplir con las regulaciones de motores de encendido por chispa para todo terreno pequeños de la Agencia de Protección Medioambiental de los Estados Unidos, (EPA). MTD Consumer Group Inc. debe garantizar el sistema de control de emisiones (ECS) de su motor de equipos de exteriores por el período de tiempo indicado más abajo, siempre y cuando no exista uso incorrecto, negligencia o mantenimiento inadecuado de equipos de exteriores.

Su ECS puede incluir piezas tales como el los depósitos de combustible, las líneas de combustible, los tapones de combustible, las válvulas, contenedores, filtros, mangueras de vapor, abrazaderas, conectores y otros componentes afines relacionados con las emisiones.

Donde exista una condición cubierta por la garantía, MTD Consumer Group Inc. reparará de equipos de exteriores sin costo alguno incluyendo el diagnóstico, las piezas y la mano de obra.

COBERTURA DE LA GARANTÍA DEL FABRICANTE:

Este sistema de control de emisiones se garantiza por el término de dos años. Si alguna pieza relacionada con las emisiones de su motor de equipos de exteriores es defectuosa, MTD CONSUMER GROUP INC. reparará o sustituirá dicha pieza.

RESPONSABILIDADES DEL PROPIETARIO SEGÚN LA GARANTÍA:

En su carácter de propietario de equipos de exteriores, usted es responsable del mantenimiento requerido que se especifica en el manual del propietario. MTD Consumer Group Inc le recomienda que conserve todos los recibos que cubren el mantenimiento de equipos de exteriores, obstante lo cual MTD Consumer Group Inc no podrá denegar el cumplimiento de la garantía únicamente por la falta de los recibos.

Como propietario de equipos de exteriores, usted debe saber que MTD Consumer Group Inc. puede denegar la cobertura de la garantía si su equipos de exteriores o una pieza del mismo fallan debido a uso incorrecto, negligencia, mantenimiento indebido o a modificaciones no aprobadas.

Usted es responsable de presentar su equipos de exteriores al centro de distribución o servicio técnico de MTD Consumer Group Inc. tan pronto como aparezca el problema. Las reparaciones cubiertas por la garantía se deben llevar a cabo en un lapso razonable que no exceda de 30 días. Si tiene alguna pregunta respecto de la cobertura de la garantía, póngase en contacto con el Departamento del Servicio Técnico de MTD Consumer Group Inc. al teléfono 1-800-800-7310 o por correo electrónico en <http://support.mtdproducts.com>.

COBERTURA DE LA GARANTÍA DE EMISIONES GENERALES:

MTD Consumer Group Inc garantiza al comprador final y a cada comprador subsiguiente que el equipos de exteriores: está diseñado, construido y equipado de modo de cumplir con todas las regulaciones aplicables y que se encuentra libre de defectos de materiales y de fabricación que pudieren causar la falla de una pieza garantizada idéntica, en todos los aspectos materiales a la pieza descrita en la solicitud de certificación de MTD Consumer Group Inc.

El período de garantía comienza en la fecha de entrega del equipos de exteriores al comprador final o en la fecha en que la máquina se pone en funcionamiento por primera vez. El período de garantía es de dos años.

Sujeto a ciertas condiciones y exclusiones que se indican a continuación, la garantía de las piezas relacionadas con las emisiones es la siguiente:

1. Cualquier pieza garantizada que no esté programada para ser reemplazada como parte del mantenimiento requerido en las instrucciones escritas suministradas se garantiza por el período de garantía arriba mencionado. Si la pieza falla durante el período de cobertura de la garantía, la misma será reparada o reemplazada por MTD Consumer Group Inc. de acuerdo con el párrafo (4) a continuación. Cualquier pieza reparada o reemplazada según la garantía se garantizará por el resto del período de garantía.
2. Cualquier pieza garantizada que esté programada solamente para inspección regular en las instrucciones escritas suministradas se garantiza por el período de garantía arriba mencionado. Cualquier pieza reparada o reemplazada según la garantía se garantizará por el resto del período.
3. Cualquier pieza garantizada que esté programada para reemplazo según el mantenimiento requerido de conformidad con las instrucciones escritas suministradas, se garantiza por el período de tiempo anterior a la primera fecha de reemplazo programada para esa pieza. Si la pieza falla antes del primer reemplazo programado, la misma será reparada o reemplazada por MTD Consumer Group Inc. de acuerdo con el párrafo (4) a continuación. Cualquier pieza reparada o reemplazada bajo garantía se garantizará por el resto del período anterior al primer reemplazo programado puntual para esa pieza.
4. La reparación o el reemplazo de cualquier pieza garantizada de conformidad con las disposiciones de la garantía que aquí se estipula se deben realizar en un centro de garantía sin costo alguno para el propietario.
5. No obstante las disposiciones que aquí se estipulan, los servicios o reparaciones bajo garantía se suministrarán en todos nuestros centros de distribución bajo franquicia de mantenimiento para los motores o equipos en cuestión.
6. El propietario de equipos de exteriores no deberá pagar el trabajo de diagnóstico directamente asociado con una pieza garantizada defectuosa en relación con las emisiones, siempre y cuando dicho trabajo de diagnóstico se realice en un centro cubierto por la garantía.
7. MTD Consumer Group Inc es responsable por daños causados a otros componentes de motores o equipos derivados de la falla bajo garantía de cualquier pieza garantizada.

8. Durante la totalidad del período de garantía del motor y equipo para todo terreno arriba mencionado, MTD Consumer Group Inc mantendrá un suministro de piezas bajo garantía suficiente para satisfacer la demanda esperada de tales piezas.
9. Cualquier pieza de reemplazo se podrá usar para el cumplimiento del mantenimiento o las reparaciones bajo garantía y se suministrarán sin cargo para el propietario. Dicho uso no reducirá las obligaciones de garantía de MTD Consumer Group Inc.
10. No se podrán usar piezas adicionales ni modificadas que no estén exentas de acuerdo con el Departamento de los Recursos del Aire (Air Resources Board). El uso de cualquier pieza adicional o modificada no exenta por el comprador final será causal de invalidez de los reclamos bajo garantía. MTD Consumer Group Inc no tendrá responsabilidad por la garantía de fallas de piezas garantizadas que fueren causadas por el uso de una pieza adicional no exenta o modificada.

PIEZAS GARANTIZADAS:

La reparación o el reemplazo de cualquier pieza garantizada que de otro modo pudiese estar cubierta por la garantía podrá ser excluida de tal cobertura de garantía si MTD Consumer Group Inc demuestra que el equipo de exteriores es objeto de uso incorrecto, negligencia o mantenimiento inadecuado, y que tal uso incorrecto, negligencia o mantenimiento inadecuado fue causa directa de la necesidad de reparación o reemplazo de dicha pieza. No obstante lo antedicho, cualquier ajuste de un componente con un dispositivo de limitación de ajuste instalado en fábrica y que funcione adecuadamente, podrá ser cubierto por la garantía. Además, la cobertura bajo esta garantía se extiende solo a piezas que estuvieron presentes en y equipo todo terreno adquiridos.

Están cubiertas las siguientes piezas con garantía para emisiones (de corresponder):

1. Sistema de medición de combustible
 - Bomba de combustible
 - Depósito de combustible
2. Control evaporativo
 - Manguera de combustible
 - Abrazaderas de la manguera de combustible
 - Tapón del combustible atado por correa
 - Caja de carbono
 - Líneas de vapor

GARANTÍA LIMITADA DEL FABRICANTE DE CUB CADET LLC PARA TRACTORES DE LAS SERIES XT1 Y XT2

IMPORTANTE: Para obtener cobertura de garantía el propietario debe presentar un comprobante de compra original y el historial de mantenimiento correspondiente al concesionario de servicio. Consulte el manual del operador para obtener información sobre los intervalos de mantenimiento y servicio requeridos.

La siguiente garantía limitada es otorgada por Cub Cadet LLC con respecto a nuevos productos adquiridos o arrendados y utilizados en los Estados Unidos y/o sus territorios y posesiones, y por MTD Products Limited respecto de nuevos productos adquiridos o arrendados y utilizados en Canadá y/o sus territorios y posesiones (cualquiera de las dos entidades respectivamente, "Cub Cadet").

Esta garantía complementa cualquier garantía contra emisiones suministrada que rige para su producto.

Cub Cadet garantiza este producto excluidas las *piezas con desgaste normal, baterías, chasis, eje delantero, eje de accionamiento y cuerpo de plataforma fabricado, y Complementos* según se describen más abajo) contra defectos en los materiales y la mano de obra durante un período de tres (3) años a partir de la fecha de compra o arrendamiento original y, a discreción, reparará o reemplazará, sin cargo, cualquier pieza que presente defectos en los materiales o de mano de obra durante este período.

Se garantiza que las *piezas con desgaste normal* están libres de defectos en los materiales y la mano de obra por un período de treinta (30) días a partir de la fecha de compra o arrendamiento original. Las piezas sujetas a desgaste normal incluyen pero no se limitan a elementos como: correas, cuchillas, adaptadores de cuchilla, bolsas para pasto, ruedas de plataforma, asientos y neumáticos.

Las *baterías* tienen un año de garantía limitada prorrateada contra defectos de materiales y mano de obra, con el 100% de reemplazo durante los tres primeros meses. Luego de tres meses, el crédito por reemplazo de la batería se basa en los meses que restan del período de doce (12) meses que se remonta a la fecha original de compra o arrendamiento. Cualquier reemplazo de batería será garantizado únicamente por el resto del período de garantía original.

Chasis y eje delantero — Cub Cadet garantiza que el chasis y el eje de pivote delantero de hierro forjado están libres de defectos en los materiales y la mano de obra por un período de cinco (5) días a partir de la fecha de compra o arrendamiento original.

Cuerpo de plataforma fabricado — Cub Cadet garantiza que el cuerpo opcional de plataforma de corte fabricado (salvo las piezas con desgaste del mismo) está libre de defectos en los materiales y la mano de obra durante la vida útil del producto, es decir mientras sea propiedad de su comprador inicial o la persona para la cual fue comprado originalmente como regalo o siete (7) años desde la fecha de su venta inicial a un consumidor, lo que ocurra primero.

Complementos — Cub Cadet garantiza que todos los demás complementos aprobados para este producto están libres de defecto en los materiales y la mano de obra por un período de dos (2) años a partir de la fecha de compra o arrendamiento original del complemento. Los complementos incluyen pero no se limitan a elementos como: colectores de césped y kits de abono.

Esta garantía limitada sólo se aplicará si el producto ha sido operado y mantenido de acuerdo con las instrucciones del Manual del Operador que se proporciona con el producto y no ha sido sujeto a uso indebido, abuso, falta de cuidado, accidente, mantenimiento incorrecto, modificación, vandalismo, robo, incendio, inundación o daño debido a otro peligro o desastre natural. Los daños que resulten de la instalación o el uso de piezas, accesorios o elementos no aprobados por Cub Cadet para usar con los productos incluidos en este manual anularán la garantía en lo que respecta a esos daños. Asimismo, Cub Cadet puede negar la cobertura de garantía si el medidor horario, o parte del mismo, ha sido alterado, modificado, desconectado o de otro modo manipulado.

CÓMO OBTENER SERVICIO TÉCNICO: El servicio de garantía se obtiene CON COMPROBANTE DE COMPRA EL HISTORIAL DE MANTENIMIENTO CORRESPONDIENTE, través de su distribuidor local de servicio autorizado. Para localizar al distribuidor de su zona:

En los Estados Unidos

Busque en las páginas amarillas o contacte a Cub Cadet LLC en P.O. Box 361131, Cleveland, Ohio 44136-0019, llame al 1-877-282- 8684 o visite nuestro sitio web en www.cubcadet.com.

En Canadá:

Contacte MTD Products Limited, Kitchener, ON N2G 4J1, llame al 1-800-668- 1238, o visite nuestro sitio web en www.mtdcanada.com.

Sin perjuicio de lo antedicho, esta garantía limitada no suministra cobertura en los siguientes casos:

- Los elementos de mantenimiento de rutina como por ejemplo lubricantes, filtros, afiladores de cuchillas, puesta a punto del motor, ajustes de frenos, del embrague o de la plataforma, y el deterioro normal del acabado exterior debido al uso o exposición.
- Servicios no realizados por el distribuidor de servicio autorizado.
- Cadet no extiende ninguna garantía para los productos vendidos o exportados fuera de los Estados Unidos y/o Canadá, y sus respectivas posesiones y territorios, excepto para aquellos vendidos a través de los canales autorizados de distribución de exportaciones de Cub Cadet.
- Repuestos y/o accesorios que no son piezas originales de Cub Cadet.
- Gastos de transporte y visitas técnicas.
- Cuando el producto ha sido utilizado para aplicaciones comerciales o institucionales

Ninguna garantía implícita, incluyendo sin limitación cualquier garantía implícita de comerciabilidad o idoneidad para un propósito en particular. No se aplicará ninguna garantía pasado el correspondiente periodo mencionado de garantía escrita expresa. Ninguna otra garantía expresa excepto la mencionada anteriormente, extendida por personas físicas o jurídicas, incluidos los distribuidores o los minoristas, respecto de cualquier producto, obligará a Cub Cadet. El único recurso es la reparación o reemplazo del producto como se indicó anteriormente.

Los términos de esta garantía ofrecen el único y exclusivo recurso que surge de la venta y/o arrendamiento de los productos cubiertos por la presente. Cub Cadet no se hará responsable de ninguna pérdida o daños indirecto o emergente, incluyendo sin limitación, los gastos incurridos para sustituir o reemplazar los servicios de mantenimiento del césped, o para reemplazar temporalmente un producto bajo garantía.

Algunas jurisdicciones no permiten la exclusión o limitación de los daños indirectos o emergentes, o las limitaciones sobre la duración de las garantías implícitas, por lo que las exclusiones o limitaciones mencionadas anteriormente pueden no aplicarse en su caso.

En ningún caso se obtendrá una compensación mayor al monto del precio de compra del producto adquirido. **La modificación de las características de seguridad del producto anulará esta garantía.** Usted asume el riesgo y la responsabilidad por las pérdidas, daños o lesiones personales o materiales propias o de terceros que surjan del uso indebido o la incapacidad para usar este producto.

Esta garantía limitada cubre solamente al comprador original, o a la persona que recibió el producto de regalo.

CÓMO AFECTA LA LEGISLACIÓN LOCAL A ESTA GARANTÍA: Esta garantía limitada le otorga derechos legales específicos y usted también puede tener otros derechos que varían de una jurisdicción a otra.

**Cub Cadet LLC, P.O. BOX 361131 CLEVELAND, OHIO 44136-0019, Teléfono: 1-877-282-8684
MTD Products Limited, Kitchener, ON N2G 4J1, Teléfono: 1-800-668-1238**