

832 578



Trieste 52 in Ceiling Fan Owner's Manual

Trieste
Ventilador de Techo de 1.32 m
Manual del Propietario



UL model no: 52-TV

52” Trieste

Ceiling Fan by Hampton Bay

Ideal for Large Rooms

3-Speed Reverse Function for
Year-Round Comfort and Savings

Standard Handheld Remote
Control Included

Dual-Mount Installation

QUESTIONS, PROBLEMS, MISSING PARTS:

Before returning to your local Home Depot, please call our
Customer Service Team at 1-877-527-0313 or visit www.homedepot.com.

Please reference your SKU (832 578 brushed nickel)
or UPC (082392 680428 brushed nickel).

Thank you for purchasing this Hampton Bay ceiling fan. This product has been manufactured with the highest standards of safety and quality. The finish of this fan is weather resistant, but over time will naturally weather and fade.

Table of Contents

Safety Rules	1
Unpacking Your Fan	2
Installing Your Fan	3
Operating Your Fan	9
Operating Your Remote.....	10
Care of Your Fan	11
Troubleshooting.....	11
Specifications	12
Warranty Information.....	13

READ AND SAVE THESE INSTRUCTIONS

1. To reduce the risk of electric shock, insure electricity has been turned off at the circuit breaker or fuse box before beginning.
2. All wiring must be in accordance with the National Electrical Code ANSI/NFPA 70-1999 and local electrical codes. Electrical installation should be performed by a qualified licensed electrician.
3. **WARNING:** To reduce the risk of fire or electric shock, this fan should only be used with fan speed control part no. UC7067RYK, manufactured by Rhine Electronic Co., Ltd.
4. **CAUTION:** To reduce the risk of personal injury, use only the screws provided with the electrical box.
5. The electrical box and support structure must be securely mounted and capable of reliably supporting a minimum of 35 pounds. Use only UL Listed electrical boxes marked "FOR FAN SUPPORT."

WARNING

TO REDUCE THE RISK OF FIRE, ELECTRIC SHOCK OR PERSONAL INJURY, MOUNT FAN TO ELECTRICAL BOX MARKED ACCEPTABLE FOR FAN SUPPORT WITH THE SCREWS PROVIDED WITH THE ELECTRICAL BOX.

6. The fan must be mounted with a **minimum of 7 feet clearance** from the trailing edge of the blades to the floor.

WARNING

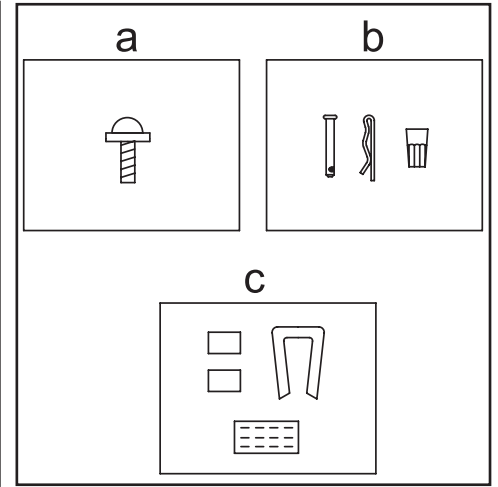
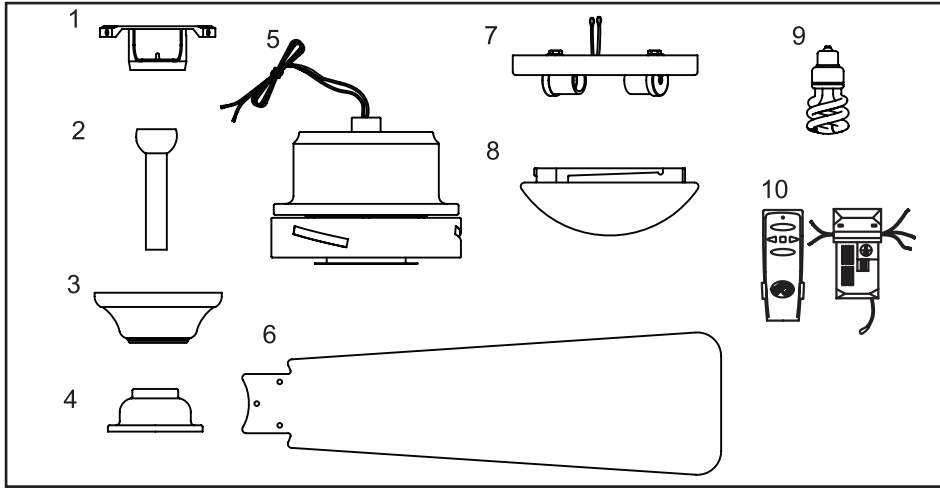
TO REDUCE THE RISK OF PERSONAL INJURY, DO NOT BEND THE BLADE BRACKETS (ALSO REFERRED TO AS ("FLANGES")) DURING ASSEMBLY OR AFTER INSTALLATION. DO NOT INSERT OBJECTS IN THE PATH OF THE BLADES.

7. Do not operate reversing switch while fan blades are in motion. Fan must be turned off and blades stopped before reversing blade direction.
8. Avoid placing objects in path of the blades.
9. To avoid personal injury or damage to the fan and other items, be cautious when working around or cleaning the fan.
10. Do not use water or detergents when cleaning the fan or fan blades. A dry dust cloth or lightly dampened cloth will be suitable for most cleaning.
11. After making electrical connections, spliced conductors should be turned upward and pushed carefully up into electrical box. The wires should be spread apart with the grounded conductor and the equipment-grounding conductor on one side of the electrical box and ungrounded conductor on the other side of the electrical box.
12. Electrical diagrams are for reference only. Light kits that are not packed with the fan must be UL Listed and marked suitable for use with the model fan you are installing. Switches must be UL General Use Switches. Refer to the instructions packaged with the light kits and switches for proper assembly.
13. All set screws must be checked and retightened where necessary before installation.

WARNING

TO REDUCE THE RISK OF SHOCK, THIS FAN MUST BE INSTALLED WITH AN ISOLATION WALL CONTROL/SWITCH.

Safety Rules 1.



Unpack your fan and check the contents. You should have the following items:

- | | |
|-----------------------------------|------------------------|
| 1. Mounting Plate (inside canopy) | 7. Light Kit Assembly |
| 2. Downrod and Ball Assembly | 8. Glass |
| 3. Canopy | 9. Bulbs (2) |
| 4. Decorative Motor Collar Cover | 10. Hand Unit/Receiver |
| 5. Fan Motor Assembly | |
| 6. Blades (3) | |

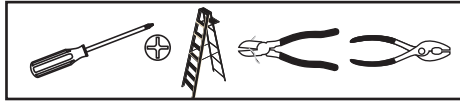
- a. **Blade attachment hardware**
(9 Screws)
- b. **Mounting & Electrical Hardware**
(1 hanger pin, 1 locking pin, 3 plastic wire connectors)
- c. **Blade Balancing Kit**

IMPORTANT: THIS PRODUCT AND/OR COMPONENTS ARE COVERED BY ONE OR MORE OF THE FOLLOWING U.S. PATENTS: 5,947,436; 5,988,580; 5,971,573; 6,010,306; 6,039,541; 6,046,416 AND OTHER PATENTS PENDING.

2. Unpacking Your Fan

Tools Required

Phillips screw driver, straight slot screw driver, adjustable wrench, step ladder, and wire cutters.



Mounting Options

If there isn't an existing electrical box, then read the following instructions. **Disconnect the power by removing fuses or turning off circuit breakers.**

Secure the electrical box directly to the building structure. Use appropriate fasteners and building materials. The electrical box and its support must be able to fully support the moving weight of the fan (at least 35 lbs.) **Do not use plastic electrical boxes.**

WARNING

TO REDUCE THE RISK OF FIRE, ELECTRIC SHOCK OR PERSONAL INJURY, MOUNT FAN ONLY TO AN ELECTRICAL BOX MARKED ACCEPTABLE FOR FAN SUPPORT AND USE THE MOUNTING SCREWS PROVIDED WITH THE ELECTRICAL BOX. ELECTRICAL BOXES COMMONLY USED FOR THE SUPPORT OF LIGHTING FIXTURES MAY NOT BE ACCEPTABLE FOR FAN SUPPORT AND MAY NEED TO BE REPLACED. CONSULT A QUALIFIED ELECTRICIAN IF IN DOUBT.

Figures 1, 2, and 3 are examples of different ways to mount the electrical box.

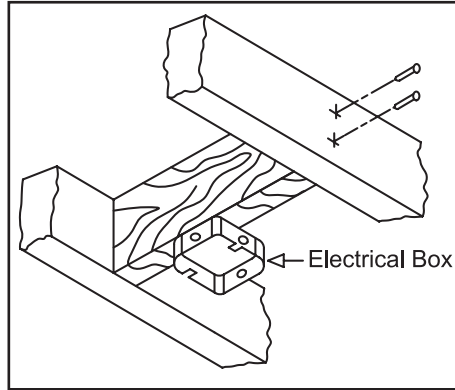


Figure 1

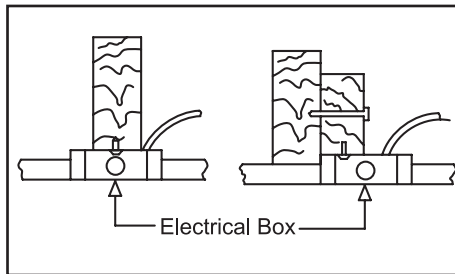


Figure 2

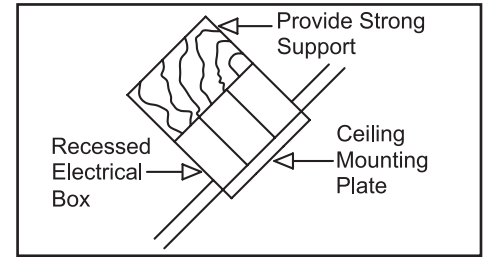


Figure 3

Note: You may need a longer downrod to maintain proper blade clearance when installing on a steep, sloped ceiling. **The maximum angle allowable is 30°.** If the canopy touches downrod, remove the decorative canopy bottom cover and turn the canopy 180° before attaching the canopy to the mounting plate.

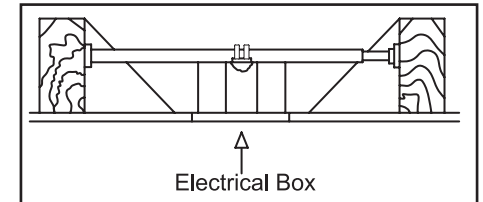


Figure 4

To hang your fan where there is an existing fixture but no ceiling joist, you may need an installation hanger bar as shown in Figure 4 (available at your Hampton Bay retailer).

Installing Your Fan 3.

Hanging the Fan

REMEMBER to turn off the power. Follow the steps below to hang your fan properly.

NOTE: This fan is recommended for the standard ceiling mounting using the downrod provided with this fan. When using standard ceiling installation with the 6 inch downrod provided, the distance from the ceiling to the bottom of the fan blades will be approximately 12 inches.

Standard Ceiling Mounting

1. Remove the canopy ring from the canopy by turning the ring to the right until it unlocks (Figure 5).
2. Remove the mounting plate from the canopy by loosening the four screws on the top of the canopy. Remove the two non-slotted screws and loosen the slotted screws. This will enable you to remove the mounting plate (Figure 6).
3. Route the wires exiting the top of the fan motor through the decorative motor collar cover then the canopy ring. Make sure the slot openings are on top. Route the wires through the canopy and then through the ball/downrod assembly (Figure 7).

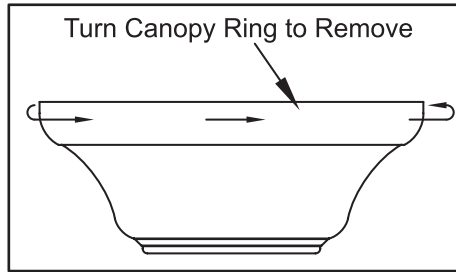


Figure 5

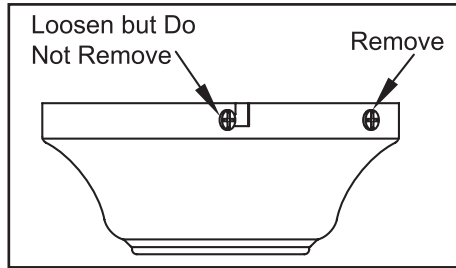


Figure 6

4. Loosen, but do not remove, the set screws on the collar on the top of the motor housing.
5. Align the holes at the bottom of the downrod with the holes in the collar on top of the motor housing (Figure 7). Carefully insert the hanger pin through the holes in the collar and downrod. Be careful not to jam the hanger pin against

the wiring inside the downrod. Insert the locking pin through the hole near the end of the bolt until it snaps into its locked position, as noted in the circle inset of Figure 7.

6. Re-tighten the set screws on the collar on top of the motor housing.
7. Make sure the grommet is properly installed in the collar cover, then slide the collar cover on the downrod until it rests on the motor housing. Be sure that the canopy and the collar cover are both oriented correctly.
8. Proceed to "Installing the Fan" section.

WARNING

FAILURE TO PROPERLY INSTALL SET SCREWS AS NOTED IN STEP 6 COULD RESULT IN FAN LOOSENING AND POSSIBLY FALLING.

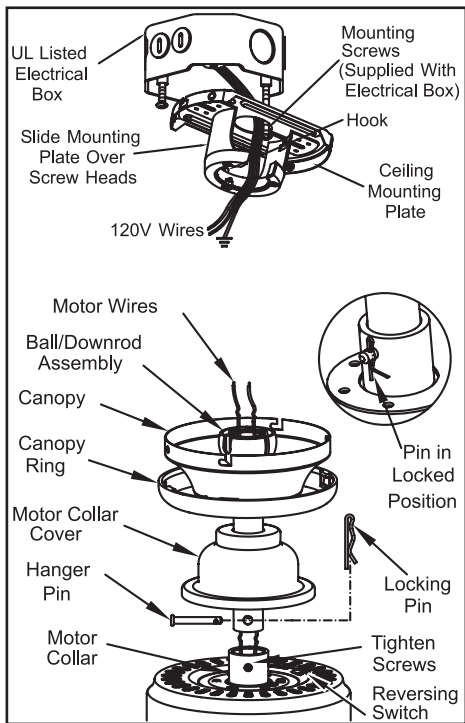


Figure 7

Installing Fan to the Electrical Box

CAUTION

WHEN MOUNTING THE FAN ON A SLOPED CEILING, THE STANDARD BALL/DOWNROD MOUNTING METHOD MUST BE USED. THE MOUNTING PLATE MUST BE MOUNTED SO THAT THE SLOT OPENINGS ARE ON THE LOWER SIDE BY SLIDING THE MOUNTING PLATE FROM THE TOP DOWN.

1. Pass the 120-volt supply wires through the center hole in the ceiling mounting plate as shown in Figure 7.
2. Install the ceiling mounting plate on the electrical box, by sliding the mounting plate over the two screws provided with the electrical box (Figure 7). If necessary, use leveling washers (not included) between the mounting plate and the electrical box. Note that the flat side of the mounting plate is toward the electrical box (Figure 7).
3. Securely tighten the two mounting screws.
4. Carefully lift the fan assembly up to the ceiling mounting plate. Make sure the tab on the mounting plate is properly seated in the groove in the hanger ball.

Making the Electrical Connections

REMEMBER to disconnect the power. If you feel you do not have enough electrical wiring knowledge or experience, have your fan installed by a licensed electrician.

Follow the steps below to connect the fan to your household wiring. Use the wire connecting nuts supplied with your fan and supplied with remote control. Secure the connectors with electrical tape. Make sure there are no loose strands or connections (Figure 8).

1. Connect the ground conductor of the 120v supply (this may be a bare wire or a wire with green colored insulation) to the green ground lead(s) of the fan (Figure 8).
2. Connect the fan motor white wire to the receiver white wire using a wire nut (Figure 8).
3. Connect the fan motor black wire to the receiver black wire using a wire nut (Figure 8).
4. Connect the fan motor blue wire to the receiver blue wire using a wire nut (Figure 8).
5. Connect the receiver black wire to the supply black (hot) wire using a wire nut (Figure 8).

6. Connect the receiver white wire to the supply white wire (neutral) wire using a wire nut (Figure 8).
7. After connecting the wires, spread them apart so that the green and white wires are one side of the electrical box and the black wire is on the other side.
8. Turn the wire connecting nuts upward and carefully push the wiring into the electrical box.

NOTE

THE FREQUENCIES ON YOUR RECEIVER AND TRANSMITTER HAVE BEEN PRESET AT THE FACTORY. BEFORE INSTALLING THE RECEIVER, MAKE SURE THE DIP SWITCHES ON THE RECEIVER AND TRANSMITTER ARE SET TO THE SAME FREQUENCY. THE DIP SWITCHES ON THE TRANSMITTER ARE LOCATED INSIDE THE BATTERY COMPARTMENT.

WARNING

EACH WIRE NUT (WIRE CONNECTOR) SUPPLIED WITH THIS FAN IS DESIGNED TO ACCEPT UP TO ONE 12 GAUGE HOUSE WIRE AND TWO WIRES FROM THIS FAN. IF YOU HAVE LARGER THAN 12 GAUGE HOUSE WIRING OR MORE THAN ONE HOUSE WIRE TO CONNECT TO THE FAN WIRING, CONSULT AND ELECTRICIAN FOR THE PROPER SIZE WIRE NUTS TO USE.

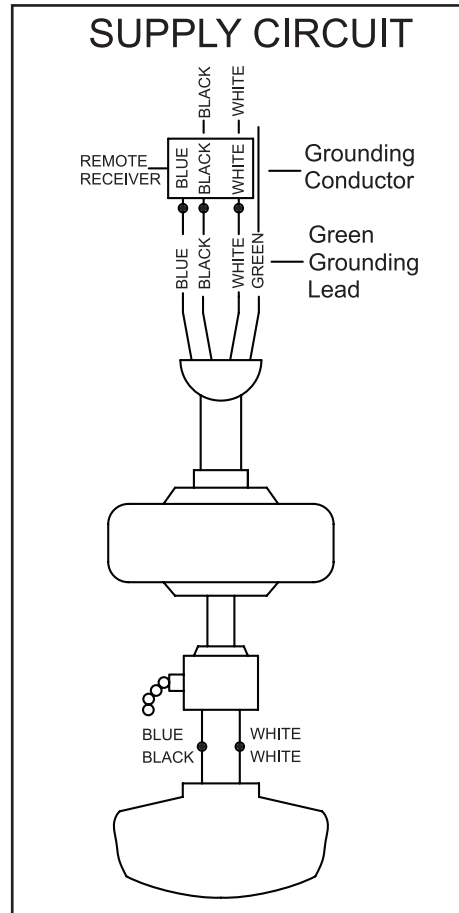


Figure 8

Finishing the Fan Installation

STANDARD CEILING MOUNTING

WARNING

WHEN USING THE STANDARD BALL/DOWNROD MOUNTING, THE TAB IN THE RING AT THE BOTTOM OF THE MOUNTING PLATE MUST REST IN THE GROOVE OF THE HANGER BALL. FAILURE TO PROPERLY SEAT THE TAB IN THE GROOVE COULD CAUSE DAMAGE TO WIRING.

1. Align the locking slots of the ceiling canopy with the two screws in the mounting plate. Push up to engage the slots and turn clockwise to lock in place. Immediately tighten the two mounting screws firmly.
2. Install the remaining two mounting screws into the holes in the canopy and tighten firmly.
3. Install the decorative canopy ring by aligning the ring's slots with the screws in the canopy. Rotate the ring counter-clockwise to lock in place.
4. You may now proceed to attaching the fan blades.

Attaching the Fan Blades

1. Insert the blade through the slot cut-off in the center flywheel, align the three screw holes in the blade with the screw holes in the flywheel and secure with the screws provided (Figure 9).
2. Repeat for the remaining blades.

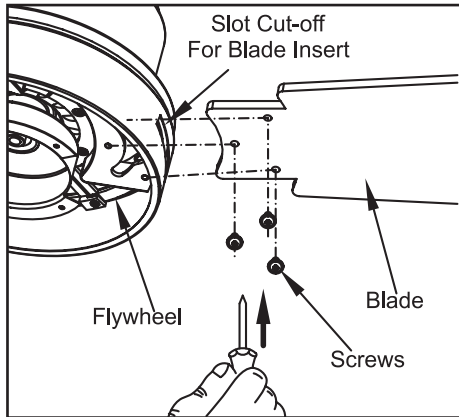


Figure 9

Blade Balancing

All blades are grouped by weight. Because natural woods vary in density, the fan may wobble even though the blades are weight matched.

The following procedure should correct most fan wobble. Check after each step.

1. Check that all blade screws are secure.
2. Most fan wobble problems are caused when blade levels are unequal. Check this level by selecting a point on the ceiling above the tip of one of the blades. Measure from a point on the center of each blade to the point on the ceiling. Measure this distance as shown in Figure 10. Rotate the fan until the next blade is positioned for measurement. Repeat for each blade. Measurement deviations should be within 1/8". Run the fan for 10 minutes.
3. Use the enclosed Bladed Balancing Kit if the blade wobble is still noticeable.

WARNING

TO REDUCE THE RISK OF PERSONAL INJURY, DO NOT BEND THE BLADE HOLDERS WHILE INSTALLING, BALANCING THE BLADES, OR CLEANING THE FAN. DO NOT INSERT FOREIGN OBJECTS BETWEEN ROTATING BLADES.

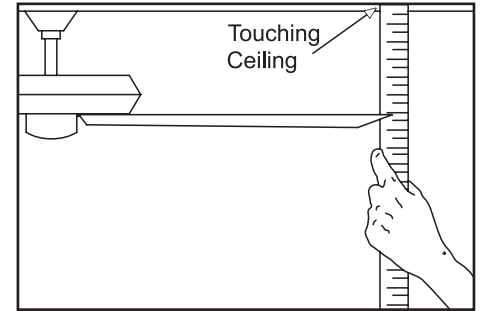


Figure 10

Installing the Light Kit/ Glass Bowl

CAUTION - To reduce the risk of electrical shock, disconnect the electrical supply circuit to the fan before installing the light kit.

THE GLASS IS FRAGILE, USE CARE WHEN INSTALLING THE LIGHT KIT AND THE GLASS SHADE.

1. Loosen but do not remove three of four mounting screws from the light kit adaptor below the fan motor assembly; remove one mounting screw (Figure 11).

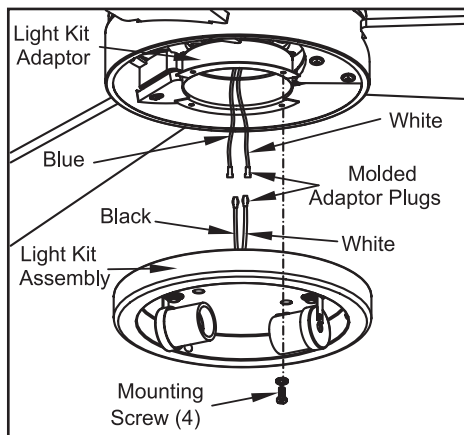


Figure 11

2. Connect the blue and white wires exiting the light kit adaptor with the black and white wires from the light kit assembly by engaging the molded adaptor plugs (blue to black; white to white).
3. Carefully tuck connectors into the light kit adaptor. Position the light kit assembly onto the light kit adaptor, aligning each of the four holes. Rotate the light kit assembly clockwise to engage the three mounting screws with the three key hole slots, tighten the screws. Re-install the one mounting screw that was removed in step 1 and tighten firmly.
4. With power off, install the two fluorescent bulbs (Max. 14W, supplied) by screwing into the light bulb sockets (Figure 12).
5. Place the glass shade into the light kit assembly, aligning the three flat areas on the top flange of the glass shade with the three raised dimples in the light kit assembly. Turn the glass shade clockwise until it stops (Figure 12).

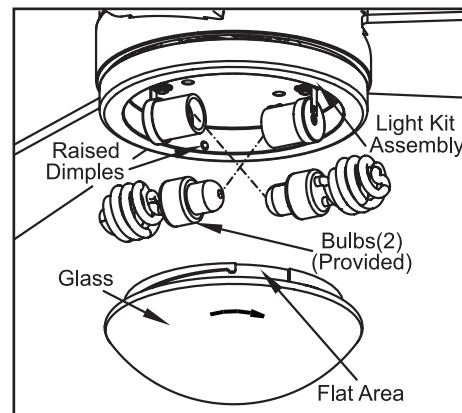


Figure 12

NOTE

PERIODICALLY CHECK THE GLASS IS SEATED FULLY CLOCKWISE IN THE LIGHT KIT ASSEMBLY.

NOTE

ALLOW THE BULB TO COOL COMPLETELY BEFORE TOUCHING OR REPLACING THE BULBS TO AVOID ACCIDENTAL BURNING OF THE SKIN.

Speed settings for warm or cool weather depend on factors such as room size, ceiling height, number of fans, and so on.

The fan shipped from the factory with the reversing switch positioned to circulate air downward. If airflow is desired in the opposite direction, turn your fan off and wait for the blades to stop turning, then slide the reversing switch (located at the top of the motor housing, refer to figure 7 on page 5) to opposite position, and turn fan on again. The fan blades will turn in the opposite direction and reverse airflow.

Warm weather - (Forward) A downward air flow creates a cooling effect as shown in Figure 13. This allows you to set your air conditioner on a higher setting without affecting your comfort.

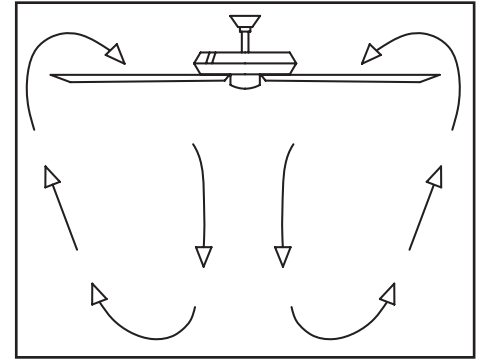


Figure 13

Cool weather - (Reverse) An upward air flow moves warm air off the ceiling as shown in Figure 14. This allows you to set your heating unit on a lower setting without affecting your comfort.

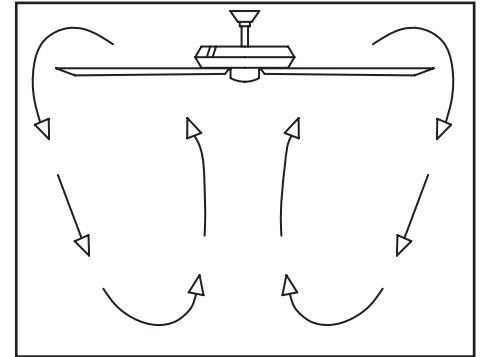


Figure 14

Operating Your Fan 9.

Remote Control

Your fan is equipped with a remote control to operate the speed and lights of your new ceiling fan. For more information on how to install the remote control, see the remote control instruction along with the remote control components.

Transmitter Operation

NOTE: This remote is equipped with 16 code combinations. To prevent possible interference from or to other remote units such as garage door openers, car alarm or security system, simply change the combination code but be sure that the code on both the hand held transmitter and receiver in the fan are matched.

Install a 9 volt battery (not included).

Setting the Code

This unit has 16 different code combinations. To set the code, perform the following steps:

- A. Setting the code on the transmitter:
 - a. Remove the battery cover. Press firmly below arrow and slide battery cover off.
 - b. Slide code switches to your choice of up or down position. (Factory setting is all up).
- B. Setting the code on the receiver.
 - a. Slide code switches to the same position as set on your transmitter.
 - b. Replace battery cover on transmitter.

CAUTION:

Ceiling angle shall not exceed 30 degrees.

Controller Model: UC7067RYK

Operating the Fan:

Hi Key - High Speed

Med Key - Medium Speed

Low Key - Low Speed

Off Key - Power Off

Light Key - Light On/Off

10. Operating Your Remote Control

Care of Your Fan

Here are some suggestions to help you maintain your fan.

1. Because of the fan's natural movement, some connections may become loose. **Check the support connections, brackets, and blade attachments twice a year.** Make sure they are secure. **(It is not necessary to remove fan from ceiling.)**
2. Clean your fan periodically to help maintain its new appearance over the years. Do not use water when cleaning, this could damage the motor, or the wood or possibly cause an electrical shock. Use only a soft brush or lint-free cloth to avoid scratching the finish. The plating is sealed with a lacquer to minimize discoloration or tarnishing. **Warning - Make sure the power is off before cleaning your fan.**
3. You can apply a light coat of furniture polish to the wood for additional protection and enhanced beauty. Cover small scratches with a light application of shoe polish.
4. **There is no need to oil your fan.** The motor has permanently lubricated sealed ball bearings.

Troubleshooting

Problem

Solution

Fan will not start

1. Check main and branch circuit fuses or breakers
2. Check line wire connections to the fan and switch wire connections in the switch housing. **CAUTION: Make sure main power is off.**
3. Check batteries in the transmitter. Does the red LED light come on? Are you standing close enough to the fan? (Normal range is 10-20 feet.) Are the dip switch settings the same on the transmitter (hand unit) and receiver? **REMEMBER TO TURN OFF POWER SUPPLY BEFORE CHECKING THE DIP SWITCH SETTINGS IN RECEIVER.**

Fan sounds noisy

1. Make sure all motor housing screws are snug.
2. Make sure the screws that attach the fan blade bracket to the motor hub are tight.
3. Make sure wire nut connections are not rattling against each other or the interior wall of the switch housing. **CAUTION: Make sure power is off.**
4. Allow a 24-hour "breaking in" period. Most noises associated with a new fan disappear during this time.
5. If using the Ceiling Fan light kit, make sure the screws securing the glassware are tight. Check that the light bulb is also secure.
6. Make sure the canopy is a short distance from the ceiling. It should not touch the ceiling.
7. Make sure your electrical box is secure and rubber isolator pads were used between the mounting bracket and electrical box.

WARNING

MAKE SURE THE POWER IS OFF AT THE ELECTRICAL PANEL BOX BEFORE YOU ATTEMPT TO MAKE ANY REPAIRS. REFER TO THE SECTION, "MAKING ELECTRICAL CONNECTIONS."

Care of Your Fan and Troubleshooting 11.

FAN SIZE	SPEED	VOLTS	AMPS	WATTS	RPM	CFM	NET WEIGHT	GROSS WEIGHT	CUBE FEET
52"	Low	120	0.29	13	64	1584	18.7 Lbs	21.2 Lbs	1.76
	Med	120	0.44	33	128	3234			
	High	120	0.52	62	175	4575			

These are approximate measures. They do not include Amps and Wattage used by the light kit.

Distributed by Home Depot U.S.A., Inc.
2455 Paces Ferry Rd. N.W. Atlanta, Georgia 30339

Vendor Number: 11688

Specifications 12.

Hampton Bay Lifetime Limited Warranty

Lifetime Warranty on Motor

Hampton Bay warrants the fan motor to be free from defects in workmanship and material present at time of shipment from the factory for a lifetime after the date of purchase by the original purchaser. Hampton Bay also warrants that all other fan parts, excluding any glass or acrylic blades, to be free from defects in workmanship and material at the time of shipment from the factory for a period of one year after the date of purchase by the original purchaser. We agree to correct such defects without charge or at our option replace with a comparable or superior model if the product is returned to Hampton Bay. To obtain warranty service, you must present a copy of the receipt as proof of purchase. All costs of removing and reinstalling the product are your responsibility. Damage to any part such as by accident or misuse or improper installation or by affixing any accessories, is not covered by this warranty. Because of varying climatic conditions, this warranty does not cover any changes in plated finishes, including rusting, pitting, corroding, tarnishing or peeling. Brass finishes of this type give their longest useful life when protected from varying weather conditions. A certain amount of “wobble” is normal and should not be considered a defect. Servicing performed by unauthorized persons shall render the warranty invalid. There is no other express warranty. Hampton Bay hereby disclaims any and all warranties, including but not limited to, those of merchantability and fitness for a particular purpose to the extent permitted by law. The duration of any implied warranty which cannot be disclaimed is limited to the time period as specified in the express warranty. Some states do not allow limitation on how long an implied warranty lasts, so the above limitation may not apply to you. Hampton Bay shall not be liable for incidental, consequential, or special damages arising out of or in connection with product use or performance except as may otherwise be accorded by law. Some states do not allow the exclusion of incidental or consequential damages, so the above exclusion or limitation may not apply to you. This warranty gives specific legal rights, and you may also have other rights which vary from state to state. This warranty supersedes all prior warranties. Shipping costs for any return of product as part of a claim on the warranty must be paid by the customer.

IMPORTANT NOTE:

To ensure warranty service, if ever necessary, please register your fan at:
gpwarranty.com

You must present a copy of the original purchase receipt to obtain warranty service.

G.P. WARRANTY SERVICE CENTER, INC.
WARRANTY SECTION
1951 N.W. 22nd STREET
FORT LAUDERDALE, FLORIDA 33311

Attach receipt here for
easy location.

Warranty Information 13.

Trieste de 52”

Ventilador de techo de Hampton Bay

Ideal para habitaciones grandes

Función de reversa de 3 velocidades para confort y ahorro durante todo el año

Incluye control remoto portátil estándar

Instalación de montaje doble

¿PREGUNTAS, PROBLEMAS O PIEZAS FALTANTES?

Antes de volver a tu tienda local de The Home Depot, por favor llama a nuestro Equipo de Servicio al Cliente al 1-877-527-0313 o visita www.homedepot.com.

Por favor usa como referencia el N° de SKU (832 578 níquel cepillado) o UPC (082392 680428 níquel cepillado).

Gracias por comprar este ventilador de techo de Hampton Bay. Este producto se ha fabricado con las normas de seguridad y calidad más altas. El acabado de este ventilador es resistente a la intemperie, pero con el tiempo, exhibirá un desgaste y decoloración naturales.

Índice

Normas de seguridad	1
Cómo desempacar el ventilador.....	2
Cómo instalar el ventilador	3
Cómo operar el ventilador	9
Cómo manejar el control remoto.....	10
Cuidado del ventilador	11
Solución de problemas	11
Especificaciones	12
Información de la garantía.....	13

LEE LAS INSTRUCCIONES Y GUÁRDALAS

1. Para disminuir el riesgo de descarga eléctrica, asegúrate de que la electricidad ha sido apagada en el cortacircuitos o la caja de fusibles antes de comenzar la instalación.
2. Todo el cableado debe cumplir con el Código Nacional de Electricidad ANSI/NFPA 70-1999 y con los códigos locales de electricidad. La instalación eléctrica debe ser hecha por un electricista autorizado y calificado.
3. **ADVERTENCIA:** Para disminuir el riesgo de incendio o descarga eléctrica este ventilador sólo debe ser usado con un control identificado con el N.o de pieza UC7067RYK, fabricado por Rhine Electronic Co., Ltd.
4. **PRECAUCIÓN:** Para reducir el riesgo de lesiones físicas, usa sólo los tornillos provistos con la caja de distribución.
5. La caja de distribución y estructura de soporte deben montarse de forma segura y tener capacidad para sostener de manera confiable un mínimo de 35 libras. Usa solamente cajas eléctricas aprobadas por UL marcadas como “PARA SOPORTE DE VENTILADOR”.
6. El ventilador debe ir montado con un mínimo de 7 pies de separación entre el borde trasero de las aspas y el piso .
7. No operar el interruptor de reversa mientras las aspas del ventilador estén en movimiento. El ventilador debe estar apagado y las aspas detenidas antes de invertir la dirección del movimiento.
8. Evita colocar objetos en la trayectoria de las aspas.
9. Para evitar lesiones, o daños al ventilador y otros objetos; ten cuidado al trabajar cerca del ventilador o al limpiarlo.
10. No usar agua o detergentes para limpiar el ventilador o las aspas. En general a la hora de limpiar, bastará con usar un paño seco o ligeramente humedecido.
11. Después de concluir con las conexiones eléctricas, debes voltar los conductores empalmados hacia arriba y empujarlos con cuidado hacia dentro de la caja de distribución. Los cables deben estar separados, con el cable a tierra y el conductor a tierra del equipo hacia uno de los lados de la caja de distribución y el conductor sin conexión a tierra hacia el lado opuesto.
12. Los diagramas eléctricos son sólo una referencia. Los kits de luces no empaquetados con el ventilador deben estar aprobados por UL y marcados como apropiados para ser usados con el modelo de ventilador a instalar. Los interruptores deberán estar clasificados por UL como de Uso General. Consulta las instrucciones adjuntas a los kits de luces e interruptores para obtener información sobre el ensamblado adecuado.
13. Todos los tornillos colocados se deben verificar y ajustar donde sea necesario antes de la instalación

ADVERTENCIA

PARA REDUCIR EL RIESGO DE INCENDIO, DESCARGA ELÉCTRICA O LESIONES PERSONALES, MONTA EL VENTILADOR SOBRE UNA CAJA ELÉCTRICA MARCADA COMO “APROBADA COMO SOPORTE DE VENTILADOR” Y USA LOS TORNILLOS DE MONTAJE QUE VIENEN CON LA MISMA.

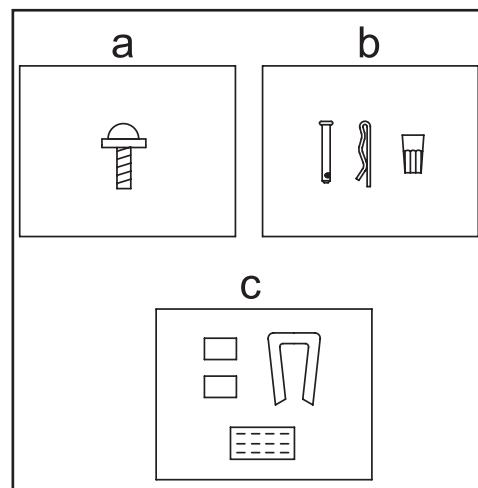
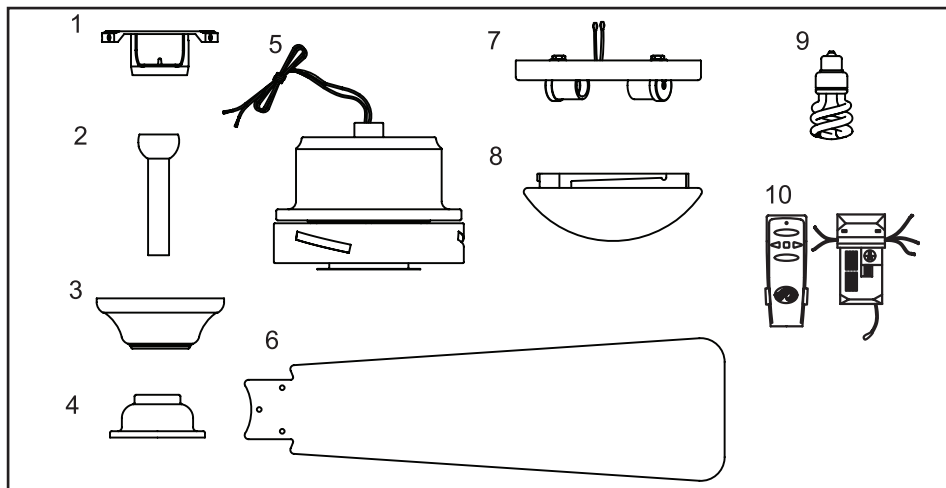
ADVERTENCIA

PARA REDUCIR EL RIESGO DE LESIONES PERSONALES, NO DOBLAR LOS BRAZOS DE LAS ASPAS (TAMBIÉN LLAMADOS “REBORDES”) DURANTE O DESPUÉS DE LA INSTALACIÓN. NO COLOCAR OBJETOS EN MEDIO DE LA TRAYECTORIA DE LAS ASPAS.

ADVERTENCIA

PARA REDUCIR EL RIESGO DE DESCARGA ESTE VENTILADOR DEBE SER INSTALADO CON UN CONTROL/INTERRUPTOR DE AISLAMIENTO DE MONTAJE EN PARED.

1. Normas de seguridad



Desempaca tu ventilador y revisa el contenido. Deberá tener las siguientes piezas:

- | | |
|---|--------------------------------|
| 1. Placa de montaje (dentro de la cubierta) | 7. Ensamblado del kit de luces |
| 2. Ensamblado de tubo bajante y bola | 8. Vidrio |
| 3. Cubierta | 9. Bombillas (2) |
| 4. Cubierta decorativa del collarín del motor | 10. Unidad de mano/Receptor |
| 5. Ensamblaje del motor del ventilador | |
| 6. Aspas (3) | |

- | | |
|----|--|
| a. | Herrajes de montaje de aspas
(9 tornillos) |
| b. | Herrajes de montaje y electricidad
(1 pasador de apoyo, 1 pasador de cierre,
3 cables conectores de plástico) |
| c. | Kit de compensación de las aspas |

IMPORTANTE: ESTE PRODUCTO Y/O SUS COMPONENTES ESTÁN PROTEGIDOS POR UNA O MÁS DE LAS SIGUIENTES PATENTES DE EE.UU.: 5,947,436; 5,988,580; 5,971,573; 6,010,306; 6,039,541; 6,046,416 Y OTRAS PATENTES PENDIENTES.

Cómo desempacar el ventilador 2.

Herramientas necesarias

Destornillador Phillips, destornillador plano, llave ajustable, escalera de tijera y cortacables.



Opciones de montaje

Si no hay una caja de montaje existente, entonces lee las siguientes instrucciones. **Desconecta la energía retirando los fusibles o apagando los cortacircuitos.**

Asegura la caja eléctrica directamente a la estructura de la edificación. Usa sujetadores y materiales de construcción apropiados. La caja eléctrica y su soporte deben sostener completamente el peso en movimiento del ventilador (al menos 35 libras).

No uses cajas eléctricas de plástico.

ADVERTENCIA

PARA REDUCIR EL RIESGO DE INCENDIO, DESCARGA ELÉCTRICA O LESIONES PERSONALES, MONTA EL VENTILADOR SÓLO SOBRE UNA CAJA ELÉCTRICA MARCADA COMO "APROBADA COMO SOPORTE DE VENTILADOR" Y USA LOS TORNILLOS DE MONTAJE QUE VIENEN CON LA CAJA ELÉCTRICA. LAS CAJAS ELÉCTRICAS UTILIZADAS COMÚNMENTE PARA EL SOPORTE DE ARTÍCULOS DE ILUMINACIÓN PUEDEN NO SERVIR COMO SOPORTE DE VENTILADOR, Y TAL VEZ DEBAN REEMPLAZARSE. EN CASO DE DUDA, CONSULTA A UN ELECTRICISTA CALIFICADO.

Las figuras 1, 2 y 3 son ejemplos de diferentes maneras de montar la caja eléctrica.

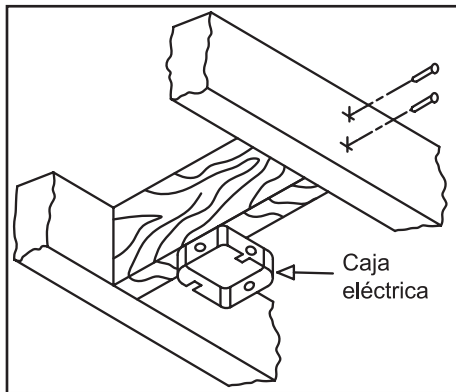


Figura 1

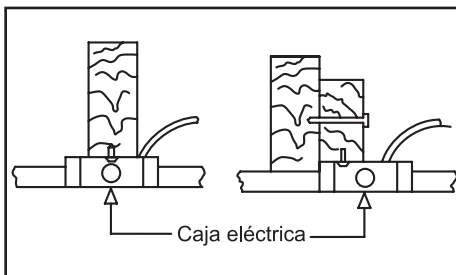


Figura 2

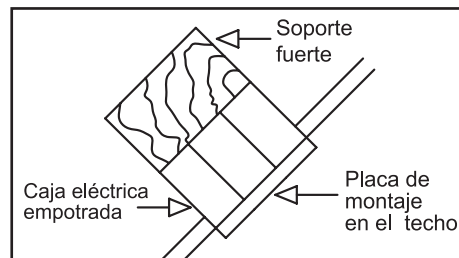


Figura 3

Nota: Tal vez necesites un tubo bajante más largo para mantener la altura mínima adecuada de las aspas al instalar el ventilador en un techo inclinado. **El ángulo máximo permitido es de 30°.** Si la cubierta toca el tubo bajante, retira la cubierta inferior decorativa y gira la cubierta 180° antes de fijar la cubierta al soporte de montaje.

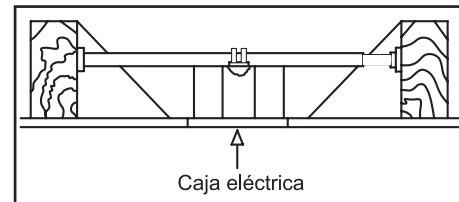


Figura 4

Para colgar tu ventilador donde haya una lámpara pero ninguna viga de techo, tal vez necesites una barra colgante de instalación como se muestra en la figura 4 (disponible en la tienda minorista local de Hampton Bay).

3. Cómo instalar el ventilador

Cómo colgar el ventilador

RECUERDA desconectar la corriente. Sigue estos pasos para colgar correctamente tu ventilador.

NOTA: Se recomienda instalar este ventilador en un techo estándar usando el tubo bajante suministrado con el ventilador. Cuando uses una instalación de techo estándar con el tubo bajante de 6 pulgadas suministrado, la distancia desde el techo a la parte inferior de las aspas será de 12 pulgadas aproximadamente.

Montaje de techo estándar

1. Retira el aro en la cubierta, girando el aro a la derecha hasta destrabarlo (Figura 5).
2. Retira la placa de montaje de la cubierta aflojando los cuatro tornillos de la parte superior de la misma. Quita los dos tornillos sin ranura y afloja los tornillos ranurados. Esto te permitirá retirar la placa de montaje (Figura 6).
3. Inserta los cables para que salgan por la parte superior del motor del ventilador a través de la cubierta decorativa del collarín del motor. Asegúrate de que las aberturas en forma de ranura estén en la parte superi-

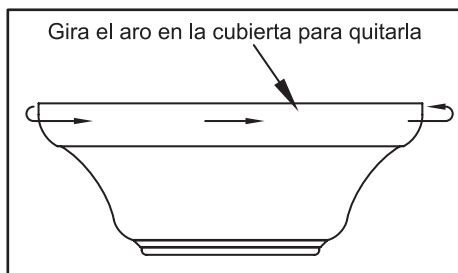


Figura 5

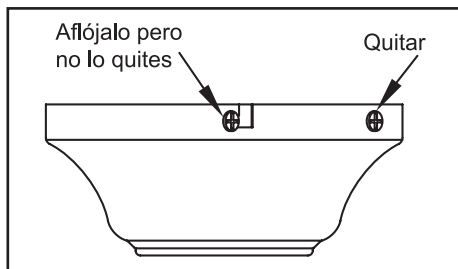


Figura 6

4. Afloja, sin quitarlos, los 2 tornillos en el collarín ubicado en la parte superior de la carcasa de motor.
5. Alinea los orificios en la parte inferior del tubo bajante con los orificios en el collarín de la parte superior de la carcasa de motor

(Figura 7). Inserta con cuidado el pasador de apoyo a través de los orificios del collarín y del tubo bajante. Ten cuidado no apretarlo contra el cableado dentro del tubo bajante. Inserta el pasador de cierre en el orificio cercano al extremo del perno hasta que quede encajado en su posición como se muestra en el círculo de la Figura 7.

6. Vuelve a ajustar los tornillos del collarín en la parte superior de la carcasa del motor .
7. Asegúrate de que el ojal esté instalado correctamente en la cubierta del collarín, luego desliza la cubierta del collarín por el tubo bajante hasta que quede en la carcasa del motor. Asegúrate de que la cubierta y la cubierta del collarín tengan la orientación apropiada.
8. Sigue con la sección "Cómo instalar el ventilador".

ADVERTENCIA

SI NO COLOCAS CORRECTAMENTE LOS TORNILLOS SEGÚN LO INDICADO EN EL PASO 6 SE PUEDEN AFLOJAR Y POSIBLEMENTE SE CAIGA EL VENTILADOR.

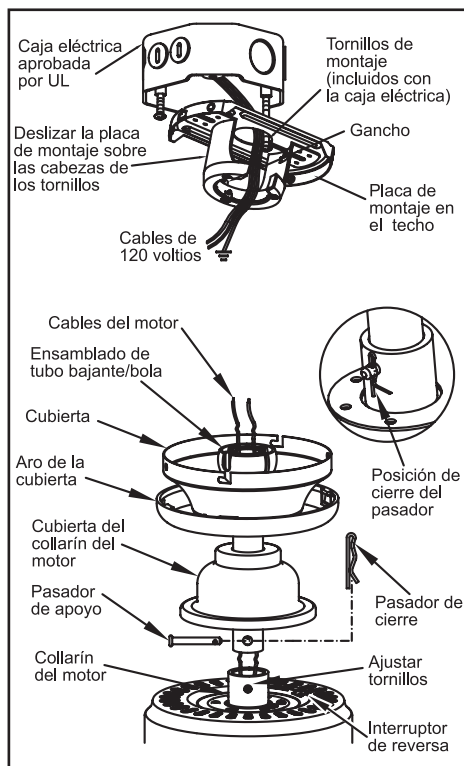


Figura 7

Cómo instalar el ventilador en la caja eléctrica

PRECAUCIÓN

CUANDO MONTES EL VENTILADOR EN UN TECHO INCLINADO, DEBES USAR EL MÉTODO DE MONTAJE CON TUBO BAJANTE Y BOLA ESTÁNDAR. LA PLACA DE MONTAJE DEBE ESTAR INSTALADA DE MANERA TAL QUE LAS ABERTURAS EN FORMA DE RANURA QUEDEN EN EL LADO INFERIOR, DESLIZANDO LA PLACA DE MONTAJE DESDE LA PARTE SUPERIOR HACIA ABAJO.

1. Pasa los cables de suministro de 120 voltios a través del orificio central de la placa de montaje del techo como se muestra en la Figura 7.
2. Instala la placa de montaje del techo en la caja eléctrica deslizando la placa de montaje sobre los dos tornillos provistos con la caja eléctrica (Figura 7). Si es necesario, usa arandelas niveladoras (no incluidas) entre la placa de montaje y la caja eléctrica. Nota que el lado plano del soporte de montaje está hacia la caja eléctrica (Figura 7).
3. Ajusta firmemente los dos tornillos de montaje.
4. Con cuidado alza el ensamblado del ventilador hasta la placa de montaje. Asegúrate de que la pestaña sobre la placa de montaje encaje bien en la ranura de la bola de soporte.

Cómo hacer las conexiones eléctricas

RECUERDA desconectar la electricidad. Si crees que no tienes suficiente experiencia o conocimientos en cableado eléctrico, contrata a un electricista con licencia para que instale el ventilador.

Sigue estos pasos para conectar tu ventilador a tu circuito doméstico. Usa las tuercas de conexión de cable provistas con el ventilador y el control remoto. Asegura los conectores con cinta aislante. Asegúrate de que no haya cables o conexiones sueltas (Figura 8).

1. Conecta el conductor a tierra del cable de 120 voltios (puede ser un cable desnudo o un cable con aislante verde) al (los) cable(s) terminal(es) a tierra verdes del ventilador (Figura 8).
2. Conecta el cable blanco de motor del ventilador al cable blanco del receptor, usando una tuerca de cable (Figura 8).
3. Conecta el cable negro del motor del ventilador al cable negro del receptor usando una tuerca de cable (Figura 8).
4. Conecta el cable azul del motor del ventilador al cable azul del receptor usando una tuerca de cable (Figura 8).

- Conecta el cable negro del receptor al cable negro de suministro de energía (positivo) usando una tuerca de cable (Figura 8).
- Conecta el cable blanco del receptor al cable blanco de energía (neutro) usando una tuerca de cable (Figura 8).
- Después de conectar los cables, sepáralos de manera que los cables verde y blanco queden de un lado de la caja eléctrica y el cable negro del otro.
- Gira las tuercas de conexión del cable hacia arriba y coloca con cuidado el cableado dentro de la caja eléctrica.

NOTA

LAS FRECUENCIAS DEL RECEPTOR Y TRANSMISOR HAN SIDO PRECONFIGURADAS EN LA FÁBRICA. ANTES DE INSTALAR EL RECEPTOR, ASEGÚRATE DE QUE LOS INTERRUPTORES DEL RECEPTOR Y DEL TRANSMISOR ESTÉN CONFIGURADOS EN LA MISMA FRECUENCIA. LOS INTERRUPTORES DEL TRANSMISOR ESTÁN UBICADOS DENTRO DEL COMPARTIMENTO DE LA BATERÍA.

ADVERTENCIA

CADA TUERCA DEL CABLE (CONECTOR DE CABLE) PROVISTA CON ESTE VENTILADOR ESTÁ DISEÑADA PARA ACEPTAR HASTA UN CABLE DOMÉSTICO CALIBRE 12 Y DOS CABLES DEL VENTILADOR. SI TIENES UN CABLEADO DOMÉSTICO DE CALIBRE SUPERIOR A 12 O MÁS DE UN CABLE DOMÉSTICO PARA CONECTAR EL CABLEADO DEL VENTILADOR, CONSULTA A UN ELECTRICISTA PARA EL TAMAÑO ADECUADO DE TUERCAS DE CABLE.

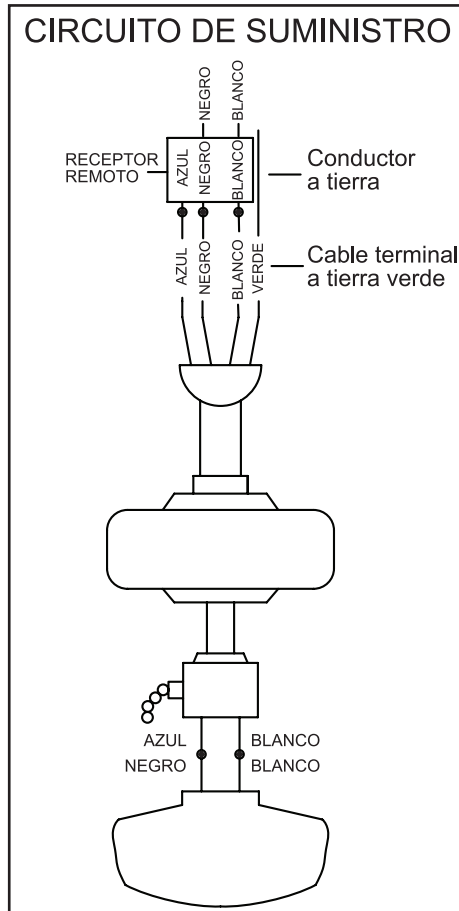


Figura 8

Fin de la instalación del ventilador

MONTAJE DE TECHO ESTÁNDAR

ADVERTENCIA

CUANDO USES EL MONTAJE DE TUBO BAJANTE Y BOLA ESTÁNDAR, LA PESTAÑA EN EL ARO EN LA PARTE INFERIOR DE LA PLACA DE MONTAJE DEBE ENCAJAR EN LA RANURA DE LA BOLA DE SOPORTE. SI NO ENCAJA CORRECTAMENTE, SE PUEDE DAÑAR EL CABLEADO.

- Alinea las ranuras de cierre de la cubierta de techo con los dos tornillos de la placa de montaje. Alza para enganchar las ranuras y gira de izquierda a derecha para asegurar en su sitio. Ajusta con firmeza los dos tornillos de montaje.
- Instala los dos tornillos de montaje restantes en los orificios de la cubierta y aprieta firmemente.
- Instala el aro de cubierta decorativa alineando las ranuras del aro con los tornillos en la cubierta. Rota el aro en sentido contrario a las manecillas del reloj para fijarlo.
- Ahora puedes proceder a montar las aspas del ventilador

Cómo montar las aspas del ventilador

1. Inserta el aspa en la abertura en el centro del volante, alinea los tres orificios para tornillo en el aspa con los orificios para tornillo en el volante y asegúrala con los tornillos incluidos (Figura 9).
2. Repite para las aspas restantes.

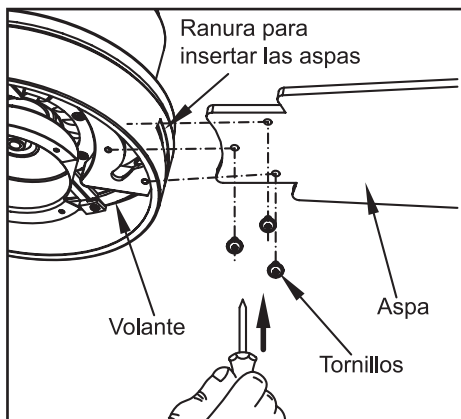


Figura 9

Equilibrar las aspas

Todas las aspas se agrupan por peso. Como las maderas naturales varían en densidad, el ventilador puede oscilar aunque las aspas tengan el mismo peso.

El siguiente procedimiento corregirá en gran medida la oscilación del ventilador. Verifica después de cada paso.

1. Verifica que todos los tornillos de las aspas estén seguros.
2. La mayoría de los problemas de oscilación del ventilador se deben a que las aspas no están a un mismo nivel. Verifica este nivel seleccionando un punto en el techo sobre la punta de una de las aspas. Mide desde un punto en el centro de cada aspa a un punto en el techo. Mide esta distancia como se muestra en la figura 10. Rota el ventilador hasta que se posicione la siguiente aspa para su medición. Repita para cada aspa. Las desviaciones de la medición deben estar dentro de 1/8". Enciende el ventilador por 10 minutos.
3. Usa el kit de compensación de aspas adjunto si sigues notando oscilación.

ADVERTENCIA

PARA REDUCIR EL RIESGO DE LESIONES PERSONALES, NO DOBLAR LOS SOPORTES DE LAS ASPAS DURANTE LA INSTALACIÓN, COMPENSACIÓN DE LAS ASPAS O LIMPIEZA DEL VENTILADOR. NO INSERTES OBJETOS ENTRE LAS ASPAS EN FUNCIONAMIENTO.

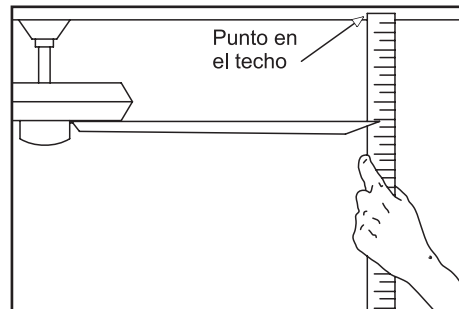


Figura 10

Cómo instalar el kit de luces/tazón de vidrio

PRECAUCIÓN - Para disminuir el riesgo de descarga eléctrica, desconecta el circuito de energía del ventilador antes de instalar el kit de luces.

EL VIDRIO ES FRÁGIL, TEN CUIDADO AL INSTALAR EL KIT DE LUCES Y LA PANTALLA DE VIDRIO.

1. Afloja, pero no quites, tres de los tornillos de montaje del adaptador del kit de luces debajo del ensamblaje del motor del ventilador, retira un tornillo de montaje (Figura 11).

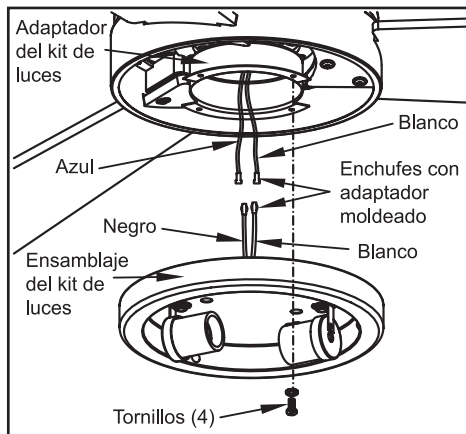


Figure 11

2. Conecta el cable azul y el cable blanco que salen del adaptador del kit de luces con el cable negro y el cable blanco del ensamblaje del kit de luces, enganchando los enchufes con adaptador moldeado (azul con negro, blanco con blanco).
3. Coloca con cuidado los conectores dentro del adaptador del kit de luces. Coloca el ensamblaje del kit de luces en el adaptador del kit de luces, alineando cada uno de los cuatro orificios. Rota el ensamblaje del kit de luces de izquierda a derecha para enganchar los tres tornillos de montaje con los tres orificios tipo ojo de cerradura, ajusta los tornillos. Reinstala el tornillo de montaje que retiraste en el paso 1 y apriétalo firmemente.

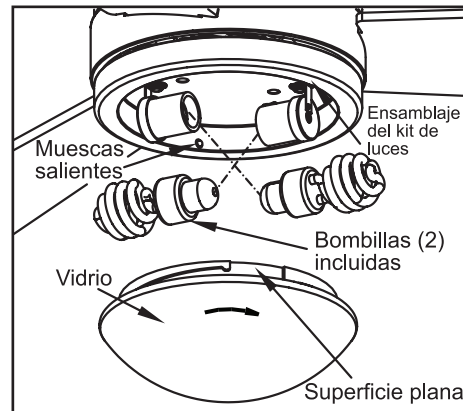


Figura 12

4. Con el ventilador apagado, instala las dos bombillas fluorescentes (máximo 14 vatios, incluidas) ajustándolas en el portabombillas (Figura 12).
5. Coloca la pantalla de vidrio en el ensamblaje del kit de luces, alineando las tres áreas planas en el reborde superior de la pantalla de vidrio con las tres muescas salientes del ensamblaje del kit de luces. Gira la pantalla de vidrio de izquierda a derecha hasta que se detenga (Figura 12).

NOTA

VERIFICA CON FRECUENCIA QUE EL VIDRIO ESTÉ AJUSTADO POR COMPLETO DE IZQUIERDA A DERECHA EN EL ENSAMBLAJE DEL KIT DE LUCES.

NOTA

ESPERA QUE LA BOMBILLA SE ENFRÍE POR COMPLETO ANTES DE TOCARLA O DE REEMPLAZARLA PARA EVITAR QUEMADURAS ACCIDENTALES EN LA PIEL.

Las configuraciones de velocidad para clima cálido o frío dependen de factores como tamaño de la habitación, altura del techo, cantidad de ventiladores y demás.

Este ventilador se envía desde la fábrica con el interruptor de reversa posicionado para hacer circular el aire hacia abajo. Si deseas dirigir la corriente de aire en la dirección contraria, apaga el ventilador y espera que las aspas se detengan, luego desliza el interruptor de reversa (ubicado en la caja de interruptores, consulta la Figura 7 de la página 5) hacia la dirección opuesta y luego vuelve a prender el ventilador. Las aspas del ventilador girarán en sentido contrario y revertirán la dirección de la corriente de aire.

Clima cálido - (Hacia adelante) Un flujo de aire hacia abajo crea un efecto refrescante como se muestra en la figura 13. Esto te permite fijar tu aire acondicionado en una configuración más alta sin afectar tu comodidad.

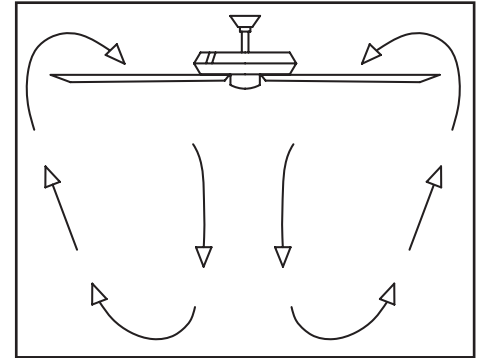


Figura 13

Clima fresco - (Reversa) Un flujo de aire hacia arriba mueve el aire cálido lejos del techo como se muestra en la Figura 14. Esto te permite fijar tu unidad de calefacción en una configuración más baja sin afectar tu comodidad.

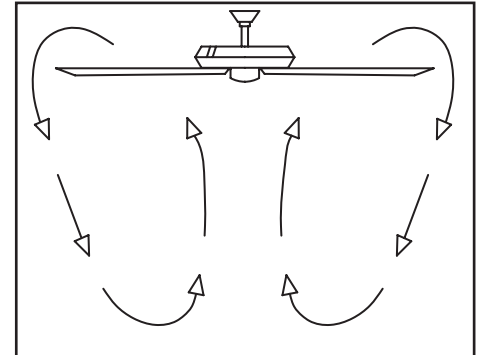


Figura 14

9. Cómo operar el ventilador

Control remoto

Tu ventilador está equipado con un control remoto que controla la velocidad y las luces de tu ventilador de techo. Para más información sobre cómo instalar el control remoto, consulta las instrucciones del control remoto y revisa los componentes incluidos con éste.

Funcionamiento del transmisor

NOTA: Este control remoto está equipado con 16 combinaciones de códigos. Para evitar posibles interferencias desde o hacia otras unidades remotas como los abrepuertas de garajes, alarmas de autos o sistemas de seguridad, simplemente cambia el código de combinación pero asegúrate de que el código del transmisor de mano y del receptor del ventilador sean iguales.

Instala una batería de 9 voltios (no incluida).

Cómo configurar el código

Esta unidad tiene 16 combinaciones de códigos diferentes. Para configurar el código, sigue los siguientes pasos:

A. Configurar el código del transmisor:

- a. Retira la cubierta de la batería. Presiona con firmeza debajo de la flecha y retira la cubierta de la batería deslizándola.
- b. Desliza los interruptores de código según tu elección hacia arriba o hacia abajo. (Todas las configuraciones de fábrica son hacia arriba).

B. Configurar el código del receptor.

- a. Desliza los interruptores de código hacia la misma posición que elegiste para el transmisor.
- b. Vuelve a colocar la cubierta de la batería del transmisor.

PRECAUCIÓN:

El ángulo del techo no debe exceder los 30 grados.

Modelo de controlador: UC7067RYK

Cómo poner en funcionamiento el ventilador:

Tecla *Hi* - Velocidad alta

Tecla *Med* - Velocidad media

Tecla *Low* - Velocidad baja

Tecla *Off* - Apagado

Tecla *Light* - Encender/Apagar la luz

Cómo manejar el control remoto 10.

Cuidado del Ventilador

Aquí tienes algunas sugerencias para el mantenimiento de tu ventilador.

1. Debido al movimiento natural del ventilador, algunas conexiones pueden aflojarse. Revisa las conexiones de soporte, soportes y accesorios de aspas dos veces al año. Asegúrate de que estén seguros. (No es necesario desmontar el ventilador del techo).
2. Limpia tu ventilador con frecuencia, para que luzca como nuevo a pesar de los años. No uses agua al limpiar, esto puede dañar el motor o la madera, o causar descargas eléctricas. Usa solamente un cepillo suave o trapo sin pelusas para evitar arañar el acabado. El revestimiento está sellado con laca para minimizar la decoloración u opacidad. Advertencia: Asegúrate de que la corriente esté apagada antes de limpiar el ventilador.
3. Puedes aplicar una fina capa de pulimento para muebles a la madera para una mayor protección y belleza. Cubre los arañazos pequeños con una leve aplicación de lustrador para calzado.
4. Tu ventilador no necesita lubricación. El motor tiene cojinetes de bola sellados permanentemente lubricados.

Solución de problemas

Problema

El ventilador no enciende

Solución

1. Verifica fusibles o disyuntores principales y secundarios.
2. Verifica conexiones de cables en línea al ventilador y conexiones de cables del interruptor en la caja de interruptores. **PRECAUCIÓN: Asegúrate de que esté desactivada la electricidad principal.**
3. Verifica las baterías en el transmisor. ¿Se enciende la luz LED roja? ¿Estás lo suficientemente cerca del ventilador? (El rango normal es de 10-12 pies) ¿Coinciden las configuraciones del interruptor en el transmisor (unidad de mano) y el receptor? **RECUERDA DESCONECTAR LA ELECTRICIDAD ANTES DE VERIFICAR LAS CONFIGURACIONES DEL INTERRUPTOR EN EL RECEPTOR.**

El ventilador hace ruido

1. Asegúrate de que los tornillos de la carcasa del motor estén ajustados.
2. Asegúrate de que los tornillos que unen el soporte de aspa al cuerpo del motor están bien ajustados.
3. Asegúrate de que las conexiones de tuerca de cable no choquen unas con otras o con la pared interior de la caja del interruptor. **PRECAUCIÓN: Asegúrate de que esté desconectada la electricidad.**
4. Permite un período de 24 horas de “adaptación”. La mayoría de los ruidos asociados con un nuevo ventilador desaparecen en ese período.
5. Si usas el kit de luces de ventilador de techo, asegúrate de que los tornillos que sujetan el vidrio estén bien colocados. Verifica que la bombilla de luz esté bien asegurada.
6. Asegúrate de que la cubierta esté a corta distancia del techo. No debe tocar el techo.
7. Asegúrate de que tu caja eléctrica esté bien segura y las almohadillas aislantes de goma se hayan instalado entre el soporte de montaje y la caja de distribución.

ADVERTENCIA

ASEGÚRATE DE QUE ESTÉ DESCONECTADA LA ELECTRICIDAD EN EL PANEL DE ELECTRICIDAD ANTES DE INTENTAR HACER REPARACIONES. CONSULTA LA SECCIÓN “CÓMO HACER LAS CONEXIONES ELÉCTRICAS”.

11. Cuidado del ventilador y solución de problemas

TAMAÑO	VELOCIDAD	VOLTIOS	AMPERIOS	VATIOS	RPM	PIES CÚB. X MIN.	PESO NETO	PESO BRUTO	PIES CÚB
52"	Baja	120	0.29	13	64	1584	18.7 Lbs	21.2 Lbs	1.76
	Media	120	0.44	33	128	3234			
	Alta	120	0.52	62	175	4575			

Estas medidas son aproximadas. No incluyen ni el amperaje ni el vataje consumido por el kit de luces.

Distribuido por Home Depot U.S.A., Inc.
2455 Paces Ferry Rd. N.W. Atlanta, Georgia 30339

Número del proveedor: 11688

Especificaciones 12.

Garantía limitada de por vida de Hampton Bay – Garantía de por vida para el motor

Hampton Bay garantiza de por vida, a partir de la fecha de compra por el comprador original, que el motor del ventilador no presenta defectos de fabricación ni de material desde la fecha de salida de la fábrica. Hampton Bay también garantiza por un período de un año, a partir de la fecha de compra por el comprador original, que todas las demás piezas del ventilador, sin incluir ninguna aspa de vidrio o acrílico, no presentarán ningún defecto de fabricación o de material desde el momento de su salida de la fábrica. Acordamos reparar todos los defectos del tipo antes mencionado, sin cargo alguno, o a nuestra discreción, reemplazar el producto por un modelo de calidad comparable o superior si el producto se devuelve a Hampton Bay. Para obtener una garantía de servicio debe presentar una copia del recibo como comprobante de compra. Todos los costos de retiro y reinstalación del producto son su responsabilidad. Daños a cualquiera de las piezas como resultado de accidentes, instalación o uso incorrectos o debidos a la instalación de cualquier accesorio, no están cubiertos bajo esta garantía. Debido a que las condiciones climáticas pueden variar, esta garantía no cubre ningún cambio en el acabado revestido, incluyendo óxido, picaduras, corrosión, manchas o descascaramiento. Los acabados de bronce de este tipo tienen una vida útil más prolongada cuando se protegen de las condiciones climáticas cambiantes. Es normal cierta “oscilación” y no se considerará una falla. Cualquier servicio técnico conducido por personas no autorizadas anulará la garantía. No hay ninguna otra garantía expresa. Mediante la presente Hampton Bay se exime de cualquier garantía, incluyendo pero sin limitarse a aquellas de comercialización e idoneidad para un fin particular, de acuerdo a lo contemplado por la ley. La duración de cualquier garantía implícita que no se pueda eximir, está limitada al período de tiempo especificado en la garantía explícita. Algunos estados no permiten limitaciones en la duración de la garantía, por consiguiente la limitación anterior puede no aplicarse a usted. Hampton Bay no será responsable por daños directos, indirectos o especiales que resulten o deriven del uso o rendimiento del producto excepto en casos en que lo estipule la ley. Algunos estados no permiten la exclusión o limitación de daños directos o indirectos, por lo que la limitación o exclusión anterior podría no aplicarse a usted. Esta garantía le otorga derechos legales específicos pero es posible que también tenga otros derechos que varían de un estado a otro. Esta garantía sustituye todas las garantías anteriores. Los costos de envío de cualquier devolución de productos hecha como parte de una reclamación de garantía deben ser pagados por el cliente.

13. Información de la garantía

NOTA IMPORTANTE:

Para asegurar la garantía de servicio, si es necesario, registre su ventilador en:
gpwarranty.com

Para obtener una garantía de servicio debe presentar una copia del recibo original de compra.

G.P. WARRANTY SERVICE CENTER, INC.
WARRANTY SECTION
1951 N.W. 22nd STREET
FORT LAUDERDALE, FLORIDA 33311

Adjunte recibo aquí para
facilitar la localización.