

Liberty Pumps®

SPAC-Series

Assembled Sump Pump Package

Assembled sump pump system with 1/3 or 1/2 hp sump pump. Molded pump platform helps to secure pump and reduce potential jamming from debris.

Features:

- 1/3 or 1/2 hp sump pump
- 18" x 22" polyethylene sump pit and cover with gasket and hardware
- Pre-assembled with 1-1/2" Schedule 40 PVC discharge pipe
- Molded pump support platform raises pump off bottom of pit and helps secure pump during shipping
 - Two 4" inlet hubs with rubber grommet seals provided
- Gasket sealed cover – Radon ready



Models:

- SPAC-237 1/3 hp. (model 237 sump pump)
- SPAC-S37 1/3 hp. (model S37 sump pump)
- SPAC-S37-P 1/3 hp. (model S37-P sump pump)
- SPAC-457 1/2 hp. (model 457 sump pump)

innovate. evolve.

SPAC-SERIES

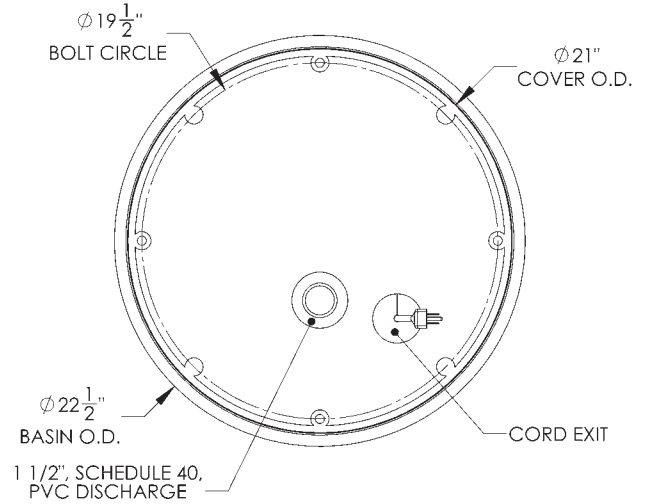
Assembled Sump Pump package

Pump Models Available:

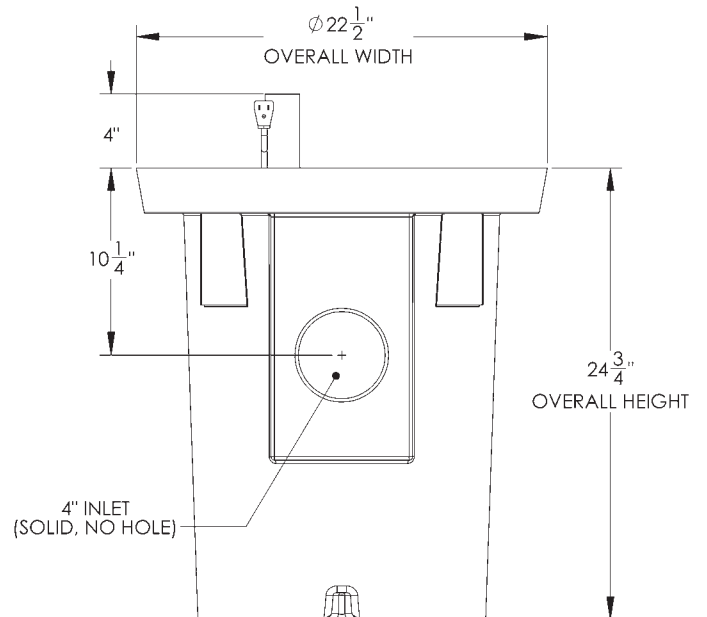
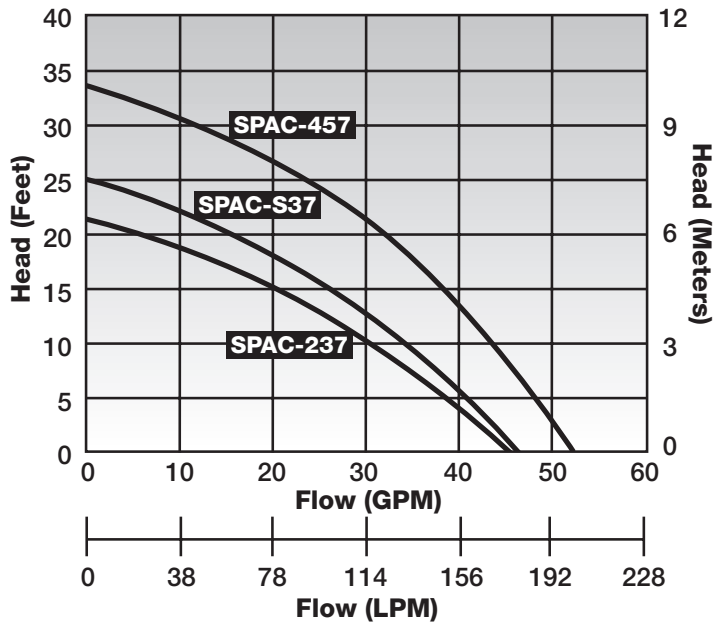
- SPAC-237 1/3 hp. Model 237, 115V., 5.2a, 60 Hz.
- SPAC-S37 1/3 hp. Model S37, 115V., 6.5a, 60 Hz.
- SPAC-S37-P 1/3 hp. Model S37-P, 115V., 6.5a, 60 Hz.
(Piggy-back style float)
- SPAC-457 1/2 hp. Model 457, 115V., 7.3a, 60 Hz.

For 25' cords on 237 or 457 models, add a "-2" suffix to model number. Example SPAC-237-2. See 230-Series, S30-Series or 450-Series literature for complete pump specifications.

Dimensional Data



SPAC-Series Performance Curve 60Hz



Specifications are subject to change without notice.

Liberty Pumps • 7000 Apple Tree Avenue • Bergen, New York 14416 • Phone 800-543-2550 Fax (585) 494-1839

www.libertypumps.com

Copyright © Liberty Pumps, Inc. 2018
All rights reserved. LLIT 6682 R04/18