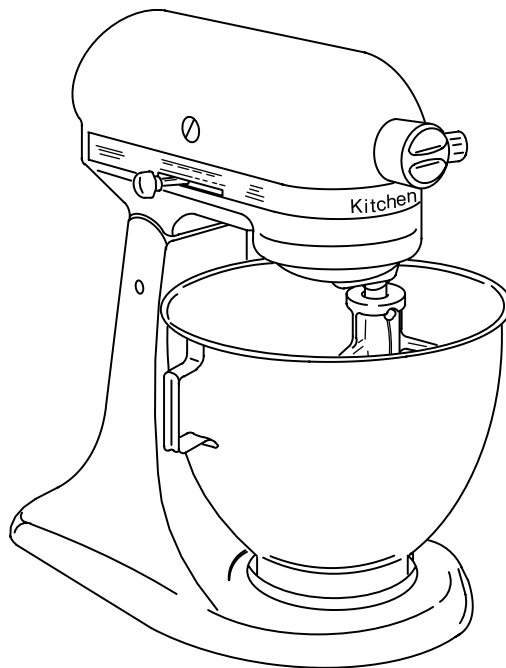


# PARTS LIST

for

# **KitchenAid®**

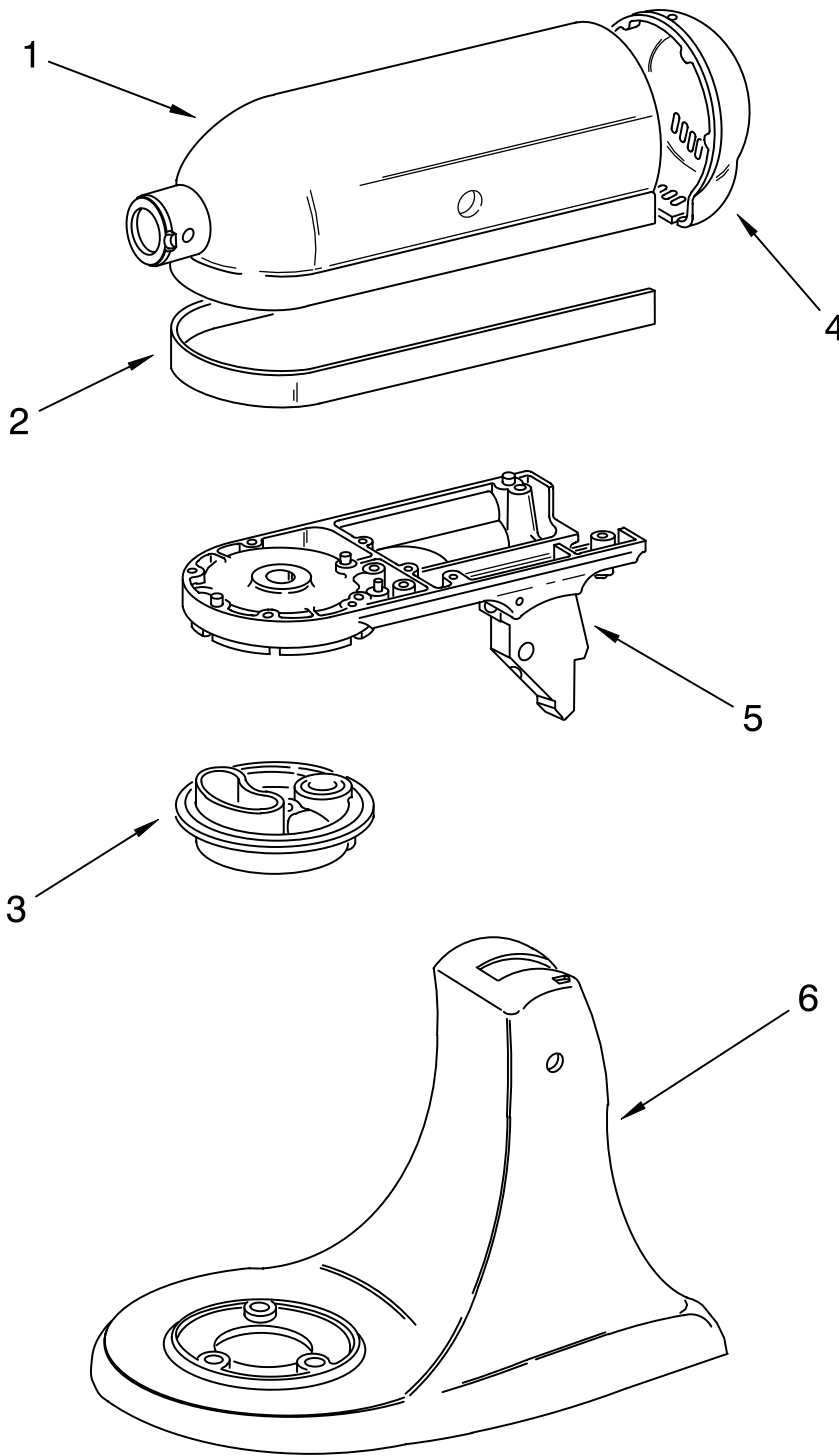
## **MIXER VARIATIONS OF KSM152 SOLID STATE**



FOR CUSTOMER SATISFACTION ALWAYS USE  
FACTORY SPECIFICATION PARTS

# COLOR VARIATION PARTS

For Model: KSM152



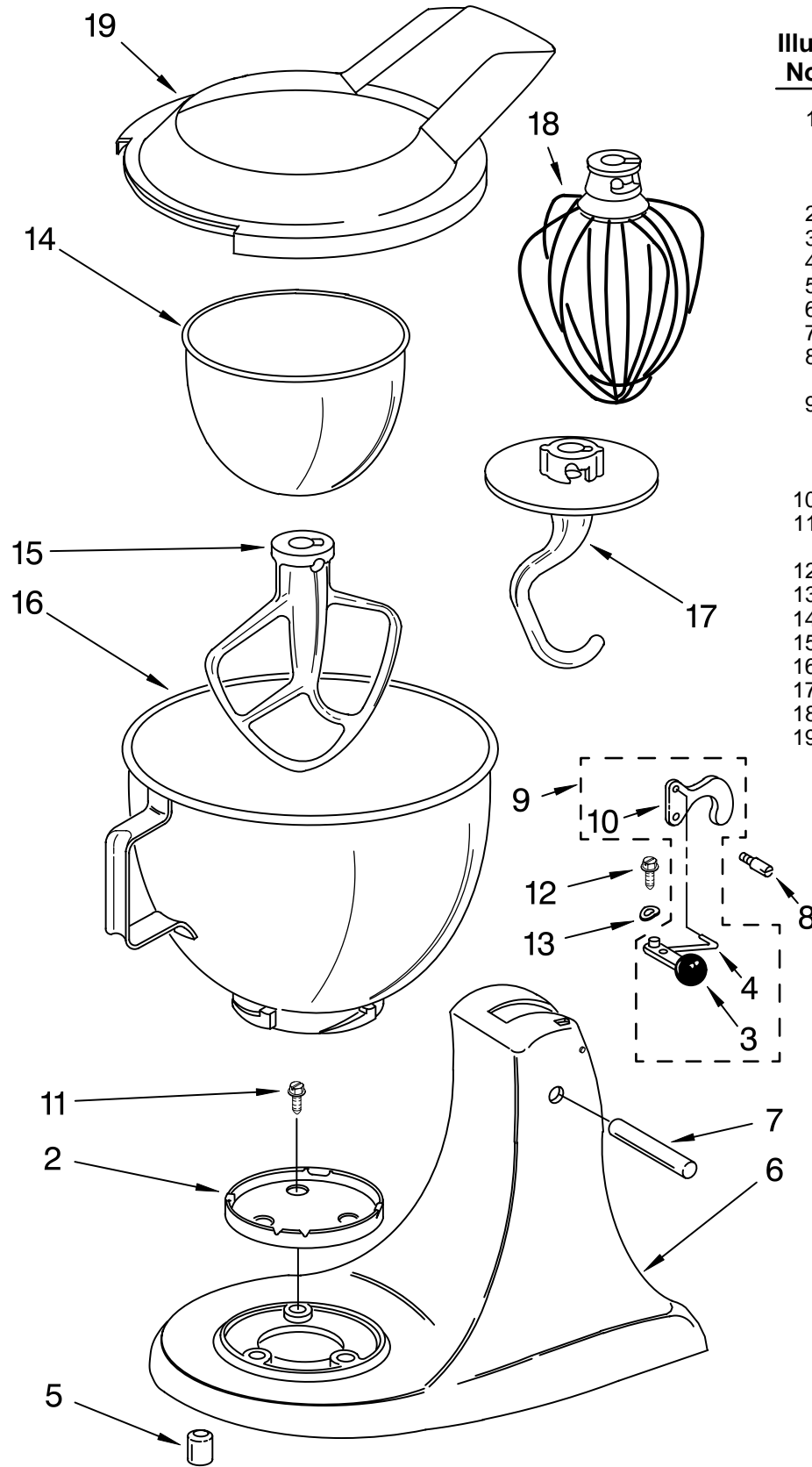
Illus. No.	Part No.	DESCRIPTION
1	240291-19	Motor Housing Chrome
	9704752	Satin Copper
	9706270	Nickel
2	9707540	Trim Band Black
		Planetary
3	240286-21	Chrome
	9704755	Satin Copper
	9706271	Nickel
4		End Cover
	240253-20	Chrome
	9704757	Satin Copper
	9706268	Nickel
5		Lower Gearcase
	9701398	Chrome
	9704749	Satin Copper
	9706269	Nickel
6		Pedestal And Foot Assembly
	9703206	Chrome
	9704746	Satin Copper
	9706272	Nickel

Availability of All Colors Subject to Change. Any Color Not Listed is No Longer Available. If Additional Colors Are Added, This Page Will Be Updated.

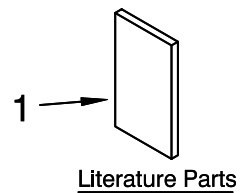
FOR ORDERING INFORMATION REFER TO PARTS PRICE LIST

# BASE AND PEDESTAL UNIT

For Model: KSM152



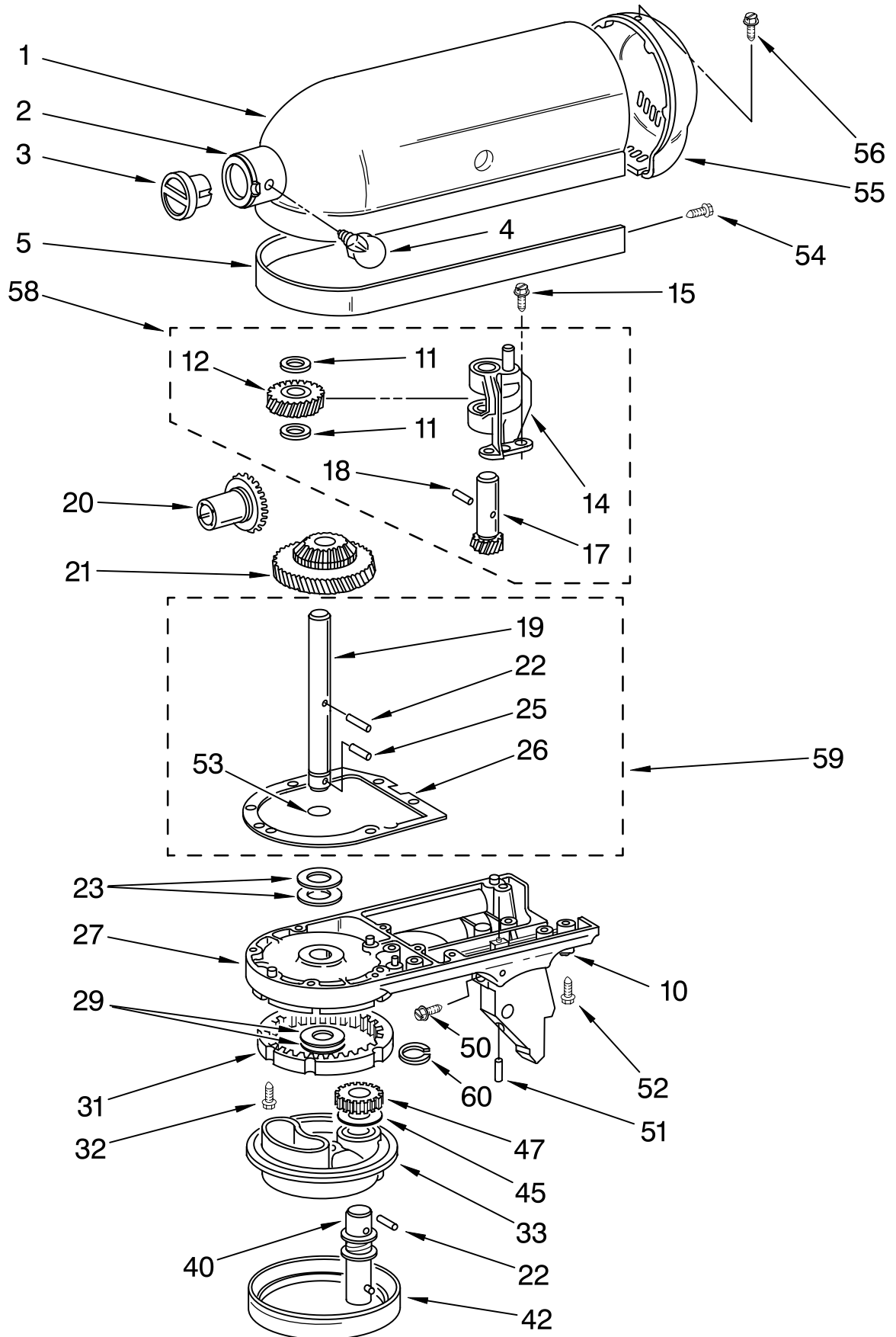
Illus. No.	Part No.	DESCRIPTION
1	LIT9707917 LIT8204547	Literature Parts Use And Care Guide Repair Parts List
2	4162529	Screw Cap Kit
3	4176024	Lever, Latch
4	24450	Link, Latch
5	115792	Foot, Base
6	**	Pedestal
7	16910	Pin, Hinge
8	103993	Screw, Latch Bearing
9	24452	Latch, Link & Lever (Incls. Illus. 3, 4, & 10)
10	240494-2	Latch
11	3400020	Screw, 10-24 x 1/2
12	110679	Screw, Pivot
13	116241	Washer, Spring
14	9706619	Bowl (5 QT)
15	9707944	Beater, Flat
16	9706619	Bowl & Base (5 QT)
17	9707671	Dough Hook
18	9704329	Wire Whip
19	9706633	Pouring Shield



FOR ORDERING INFORMATION REFER TO PARTS PRICE LIST

# CASE, GEARING AND PLANETARY UNIT

For Model: KSM152



FOR ORDERING INFORMATION REFER TO PARTS PRICE LIST

# CASE, GEARING AND PLANETARY UNIT

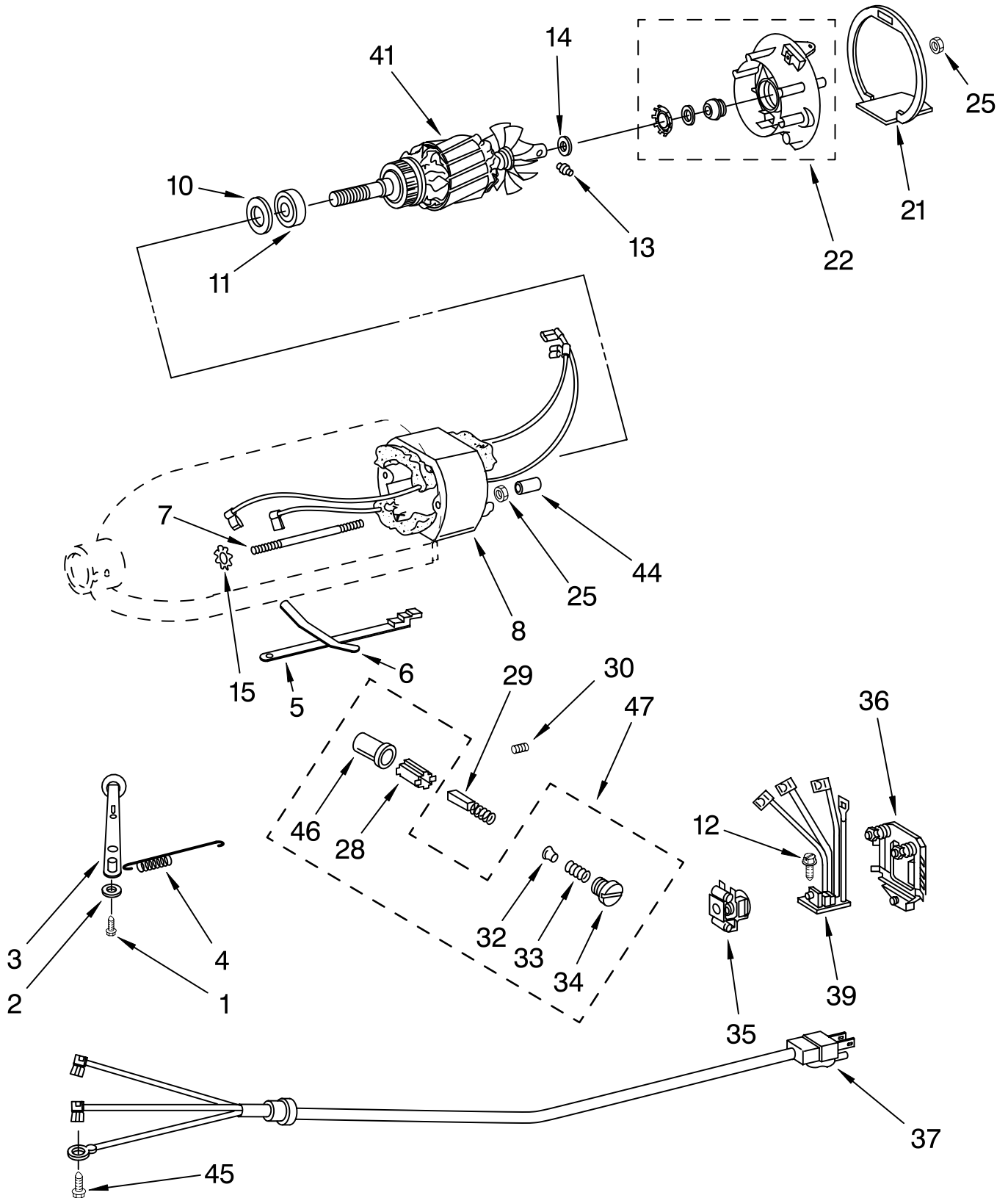
For Model: KSM152

Illus. No.	Part No.	DESCRIPTION	Illus. No.	Part No.	DESCRIPTION	Illus. No.	Part No.	DESCRIPTION
1	**	Gearcase Motor Housing (Includes Illus 2)	22	240018-1	Pin (Vertical Center Shaft)	50	4160413	Screw, Adjusting
2	16897	Ring, Attachment Hub	23	3180163	Washer, Fiber Black, Gray	51	3400203	Set Screw, 1/4"-28 X 3/8" Hdls., Cup Pt.
3	242765-2	Cap, Attachment Hub	25	9704677	Groov-Pin, Type E, 1/4" X 7/8"	52	3400025	Machine Screw, 10-24 X 1 Fil. Head
4	240374	Thumb Screw	26	4162324	Gasket, Transmission Case	53	67500-55	"O" Ring
5	**	Band, Trim	27	**	Lower Gear Case	54	4159430	Screw, Self Tapping 6-32 X 1/4" Phil. Pan Hd. Type F
10	4159479	Lock Washer, #10 Light	29	3180163	Washer, Fiber Black, Gray	55	**	Cover, End
11	3180161	Washer, Fiber Black, Gray	31	9703904	Gear, Internal (59T)	56	4162914	Screw, 6-32 X 3/8 Phil. Oval Hd.
12	4162897	Worm Gear (23T)	32	103994	Screw, Special (5)	58	240309-2	Worm Gear Bracket And Gear (10 T & 23 T) (Incls. Illus 11 thru 14 17 & 18)
14	240308	Worm Gear Bracket And Bearing	33	**	Planetary	59	3179559	Center Shaft & "O" Ring (Incls. Illus. 19,22,25,26, & 53)
15	3400022	Screw And L.W. Assy. #10-24 X 7/16" Phil. Fil. Hd. (3)	40	4176067	Agitator Shaft (Includes Illus. 60)	60	9703438	Ring
17	240210-2	Shaft & Pinion (10T)	42	240285-2	Ring, Planetary Drip (KSM152PSCP0 Model)	**Refer to Page 2 Color Variation Parts		
18	9705444	Pin		240285				
19	240026	Shaft, Vertical Center	45	3180160	Washer, Shim (.015" Thk.) (.031" Thk.)			
20	9703907	Gear, Attachment Hub Bevel (23T)	47	9703903	Pinion, Gear (18T) (Agitator Shaft)			
21	9703905	Bevel Pinion (19T) & Center Gear (62T)						

FOR ORDERING INFORMATION REFER TO PARTS PRICE LIST

# MOTOR AND CONTROL PARTS

For Model: KSM152



FOR ORDERING INFORMATION REFER TO PARTS PRICE LIST

# MOTOR AND CONTROL PARTS

For Model: KSM152

Illus. No.	Part No.	DESCRIPTION	Illus. No.	Part No.	DESCRIPTION	Illus. No.	Part No.	DESCRIPTION
1	110679	Screw, Pivot	35	17830	Governor Assembly	4164749		Food Grinder (FG-A)
2	116241	Washer, Spring	36	240904-2	Control Plate Assembly	4164751		Grain Mill (GM-A)
3	3184193	Switch Lever And Stud	37	9701026	Power Cord	4164768		Pasta Maker And Food Grinder (Includes SNP Pasta Maker Plates) (SN/FG-A)
4	3183680	Spring, Control Plate	39	9706595	Phase Control Board	4164775		Fruit/Vegetable Strainer Parts (Use With FG-A Model Only) (FVSP)
5	3184176	Speed Link & Cam	41	9708315	Armature & Bearing	4164750		Rotor Slicer/Shredder (With 4 Standard Cones) Fine Shredder, Coarse Shredder, Thick Slicer, And Thin Slicer (RVS-A)
6	240205	Spring, Flat			Incls. Illus 11) (Must use with Illus. 8)	9704568		Pouring Shield (KPS2CL)
7	240769	Screw, Stator	44	4162634	Sleeve, Motor Stud	4164824		Pasta Maker Plates (SNP-A)
8	9702695	Field Assembly (Must Use With Item # 41) 115 Volts	45	3184609	Screw, Self Tapping (10-32 X 1/4") Phil. Pan Hd. Type TT	4164774		Fruit/Vegetable Strainer And Food Grinder (FVS/FG-A)
10	9704324	Washer, Ball Bearing (Front)	46	3179908	Housing, Brush Holder	3180617		Cover, Decorative (Cotton Polyester)
11	9708320	Ball Bearing	47	4162546	Brush Holder (Incls. Illus. 28, 32, 33, 34, & 46)	4162838		Food Tray (FT)
12	3400402	Screw, Self Tapping 4-40 X 5/16" Phil. Pan Hd. Type TT				4164748		Juicer (JE)
13	16998	Stud, Governor Drive				4164747		Can Opener (CO)
14	3180162	Washer, Spacing				4164803		Sausage Stuffer Kit (SSA)
15	3400900	Washer				3177924		Bowl Cover, Plastic Non-Sealing
21	240775-1	Seal, End				4163337		Bowl, Stainless With Handle
22	3180526	Bracket, Bearing Asm.				3180262		Bowl, 3 Qt.
25	8533905	Nut, Machine Hex (10-24)				4162160		Bowl, Satin Stainless
28	240680	Insert, Brush Holder						
29	9706416	Brush, Carbon						
30	9707926	Set Screw, 10-24 X 1/4" Hdls. Cup Pt						
32	116286	Cap, Spring Seat						
33	116287	Spring, Cap						
34	3184212	Cap, Brush Holder						
					OPTIONAL PARTS AND SERVICE ITEMS			
					4164839			Speed Disc (Service Tool)
					4160588			Grease, Planetary
					4164778			Mixer Attachment Pak (Includes Food Grinder (FG-A), Food Strainer (FVSP), And Vegetable Slicer, (RVS-A) (FPP-A)

FOR ORDERING INFORMATION REFER TO PARTS PRICE LIST