

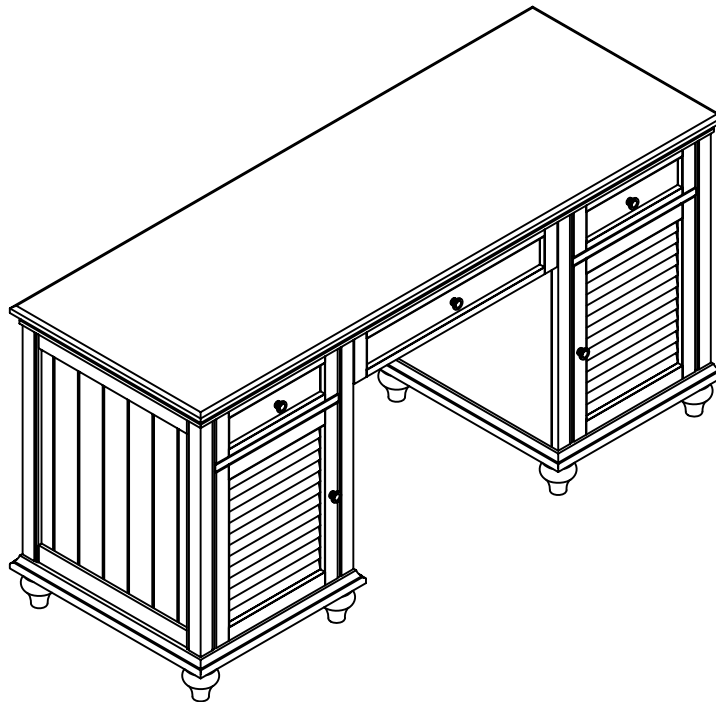
HOME DECORATORS COLLECTION

1002949528 1002949527 1002949526
1002949530 1002949529 1002949531

SK19023R2 HAMILTON DESK 31"Hx63"Wx23"D

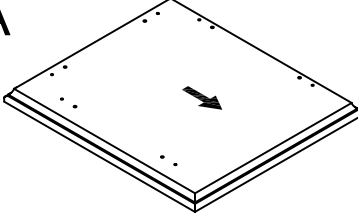
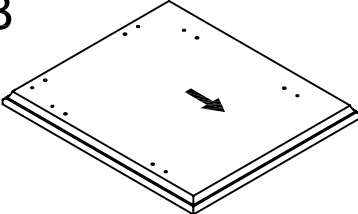
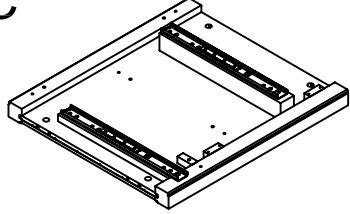
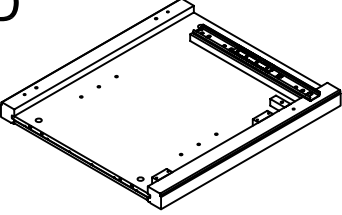
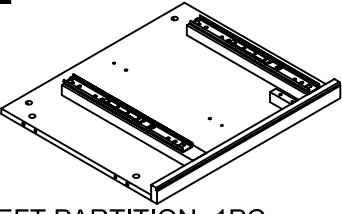
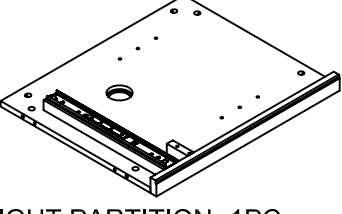
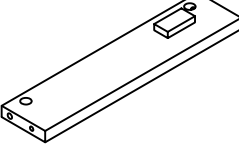
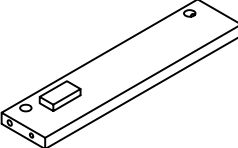
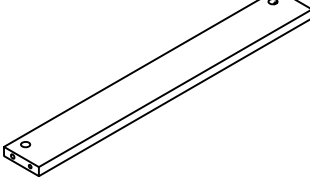
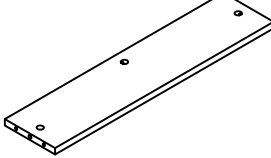
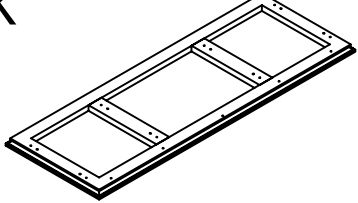
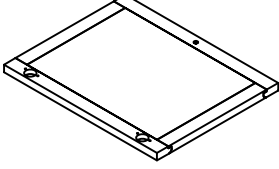
ASSEMBLY INSTRUCTIONS

Made In China

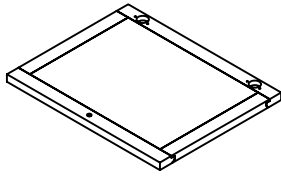


Thank you for purchasing this quality product. Be sure to check all packing material carefully for small parts, which may have come loose inside the carton during shipment. Count all parts and material hardware, then compare with parts list to be sure all parts are present. If any parts are missing or damaged, please contact our Customer Service Department for efficient and speedy service. Please indicate the model number and code letter of part(s) needed.

IMPORTANT NOTE: Follow instructions listed below in proper sequence as numbered to assure fast, easy and correct assembly.

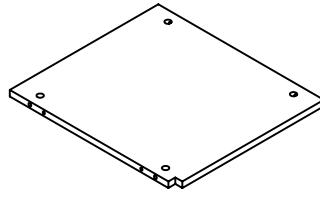
PARTS LIST		
A 	B 	C 
LEFT BOTTOM PANEL- 1PC	RIGHT BOTTOM PANEL- 1PC	LEFT SIDE PANEL-1PC
D 	E 	F 
RIGHT SIDE PANEL -1PC	LEFT PARTITION -1PC	RIGHT PARTITION -1PC
G 	H 	I 
LEFT FRONT CROSS BRACE -1PC	RIGHT FRONT CROSS BRACE -1PC	MIDDLE FRONT CROSS BRACE -1PC
J 	K 	L 
BACK CROSS BRACE -1PC	TOP PANEL-1PC	LEFT DOOR -1PC

M



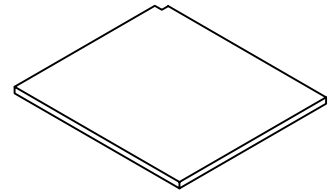
RIGHT DOOR -1PC

N



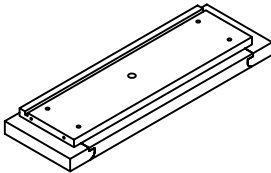
LEFT FIXED PANEL -1PC

O



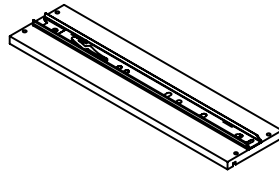
ADJUSTABLE SHELF -1PC

P



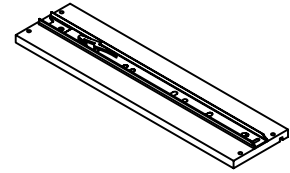
SMALL DRAWER FRONT PANEL -2PCS

Q



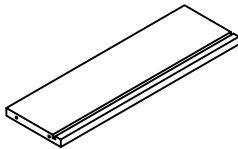
SMALL DRAWER LEFT SIDE PANEL -2PCS

R



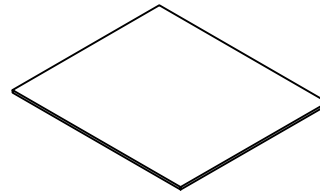
SMALL DRAWER RIGHT SIDE PANEL -2PCS

S



SMALL DRAWER BACK PANEL -2PCS

T



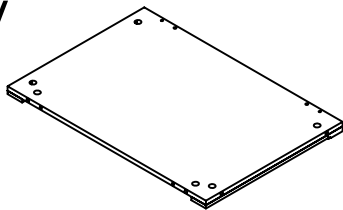
SMALL DRAWER BOTTOM PANEL -2PCS

U



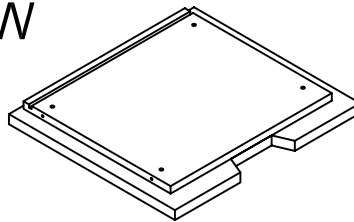
BALL FOOT -8PCS

V



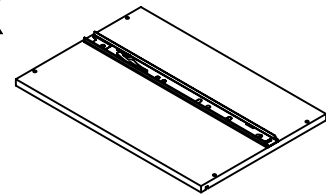
BACK PANEL -2PCS

W



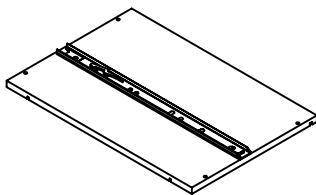
LAEGE DRAWER FRONT PANEL -1PC

X



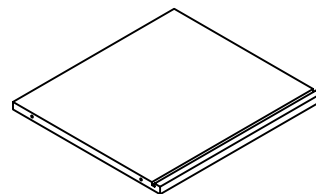
LAEGE DRAWER LEFT SIDE PANEL -1PC

Y



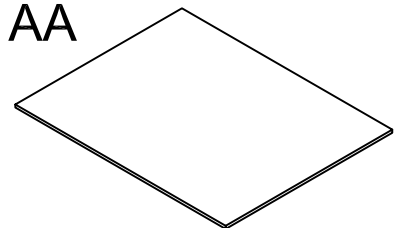
LAEGE DRAWER RIGHT SIDE PANEL -1PC

Z



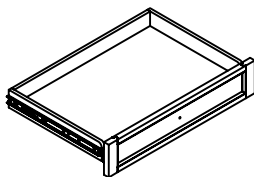
LAEGE DRAWER BACK PANEL -1PC

AA



LAEGE DRAWER BOTTOM PANEL -1PC

BB



ASSEMBLED MIDDLE DRAWER -1PC

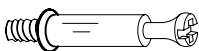
NOTE:THE SURFACE WITH THE STICKER IS THE BACK SIDE

a



WOOD DOWEL-38PCS

b



CAM
LOCK BOLT-45PCS

c



CAM LOCK-45PCS

d



SHORT
PLASTIC COVER-5PCS

e



KNOB-5PCS

f



KNOB BOLT-5PCS

g



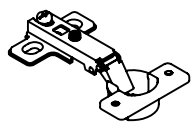
1" FLAT
HEAD SCREW-24PCS

h



SHELF PIN-4PCS

i



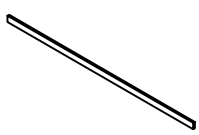
HINGE-4PCS

j



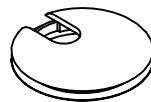
5/8" FLAT
HEAD SCREW-16PCS

k



METAL BAR-2PCS

l



WIRE PLUG-1PC

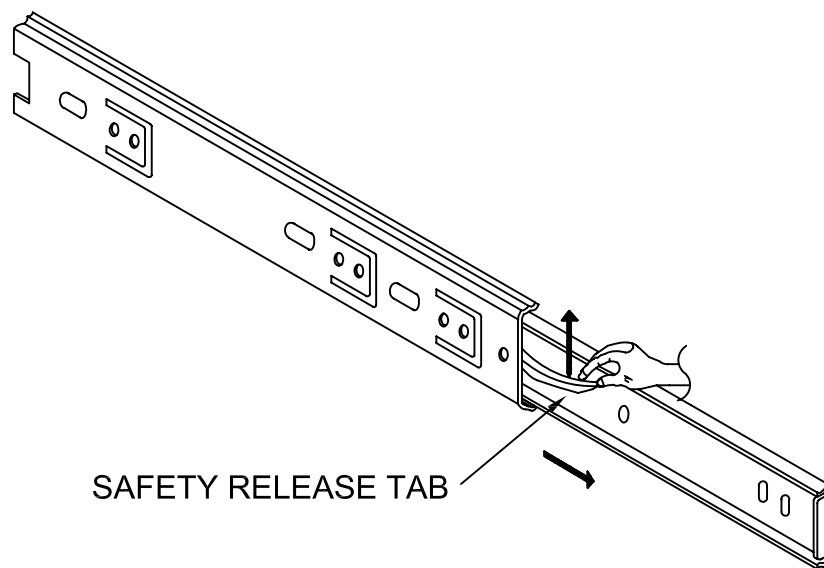
m



LONG
PLASTIC COVER-3PCS

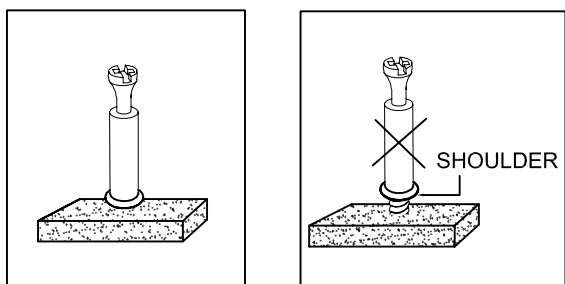
NOTE:THE SURFACE WITH THE STICKER IS THE BACK SIDE

HOW TO SEPARATE GLIDES



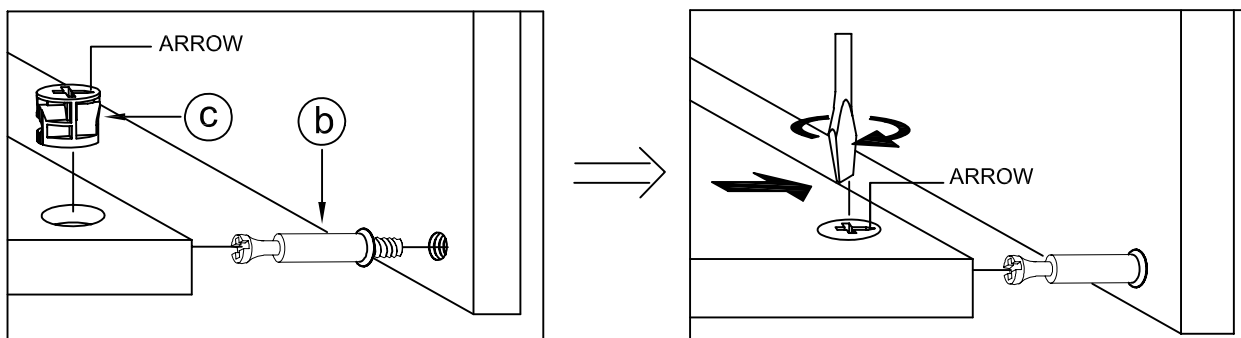
PRIOR TO ASSEMBLY, WE SUGGEST SEPARATING THE INNER GLIDES FROM THE OUTER-GLIDES, SIMPLY PULL THE LEFT/RIGHT INNER GLIDES FROM THE OUTER GLIDES EXPOSING A SMALL BLACK SAFETY RELEASE TAB, BY PUSHING THE SAFETY RELEASE TAB. YOU WILL BE ABLE TO SEPARATE THE GLIDES.

NOTE: • UPON OPENING, THOROUGHLY CLEAN ALL WOOD SURFACES TO REMOVE DUST AND DIRT THAT MAY HAVE SETTLED ONTO THE FINISH DURING SHIPMENT. IN ORDER TO PREVENT DAMAGE DURING ASSEMBLY. PLEASE ASSEMBLE THIS ITEM WITH AT LEAST TWO PEOPLE.



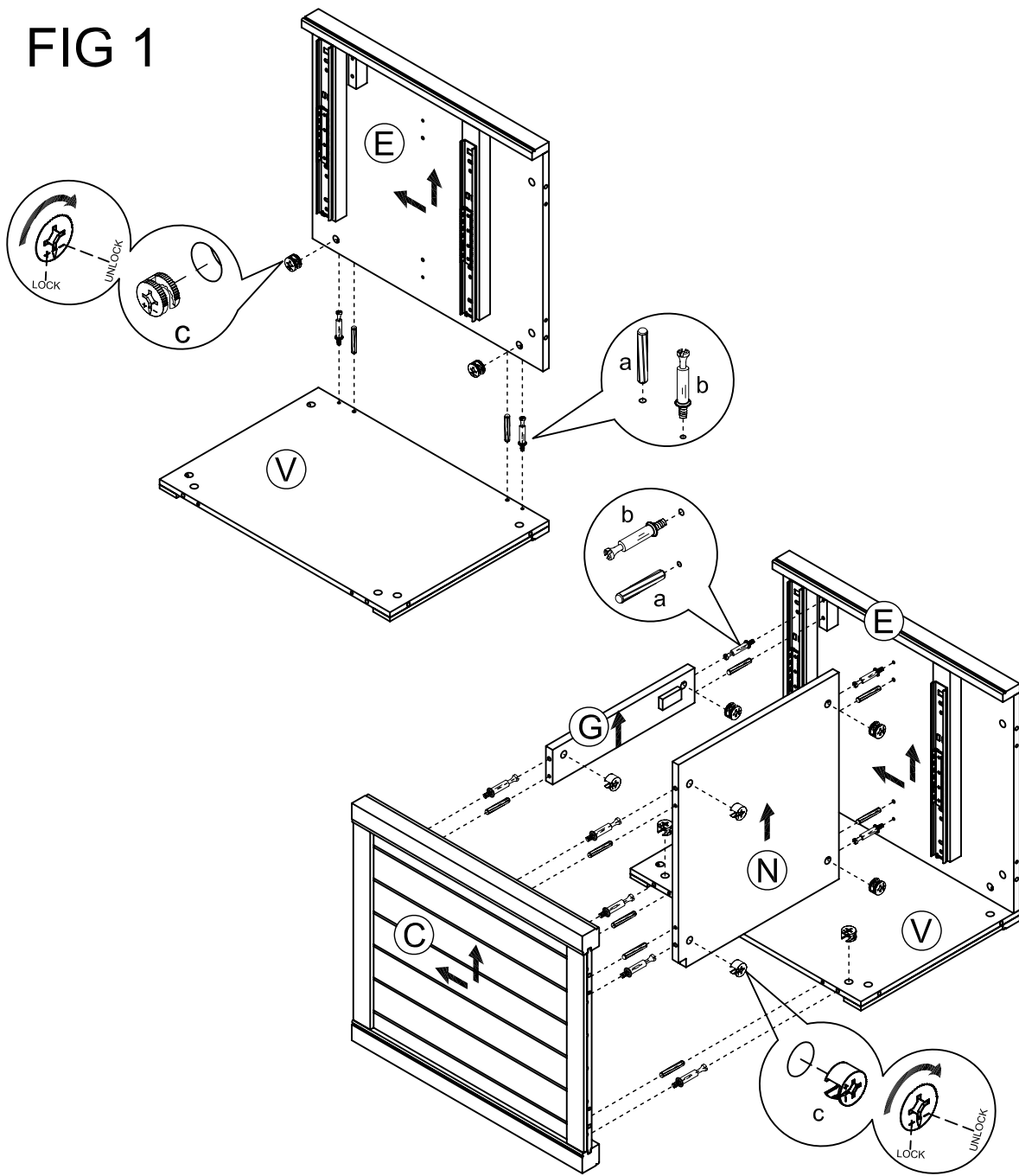
NOTE: TURN THE CAM-BOLT SCREWS UNTIL THEY ARE TIGHT, THE SHOULDER SHOULD BE AGAINST THE SURFACE OF THE PART.

HOW TO USE THE CAM-TOOL



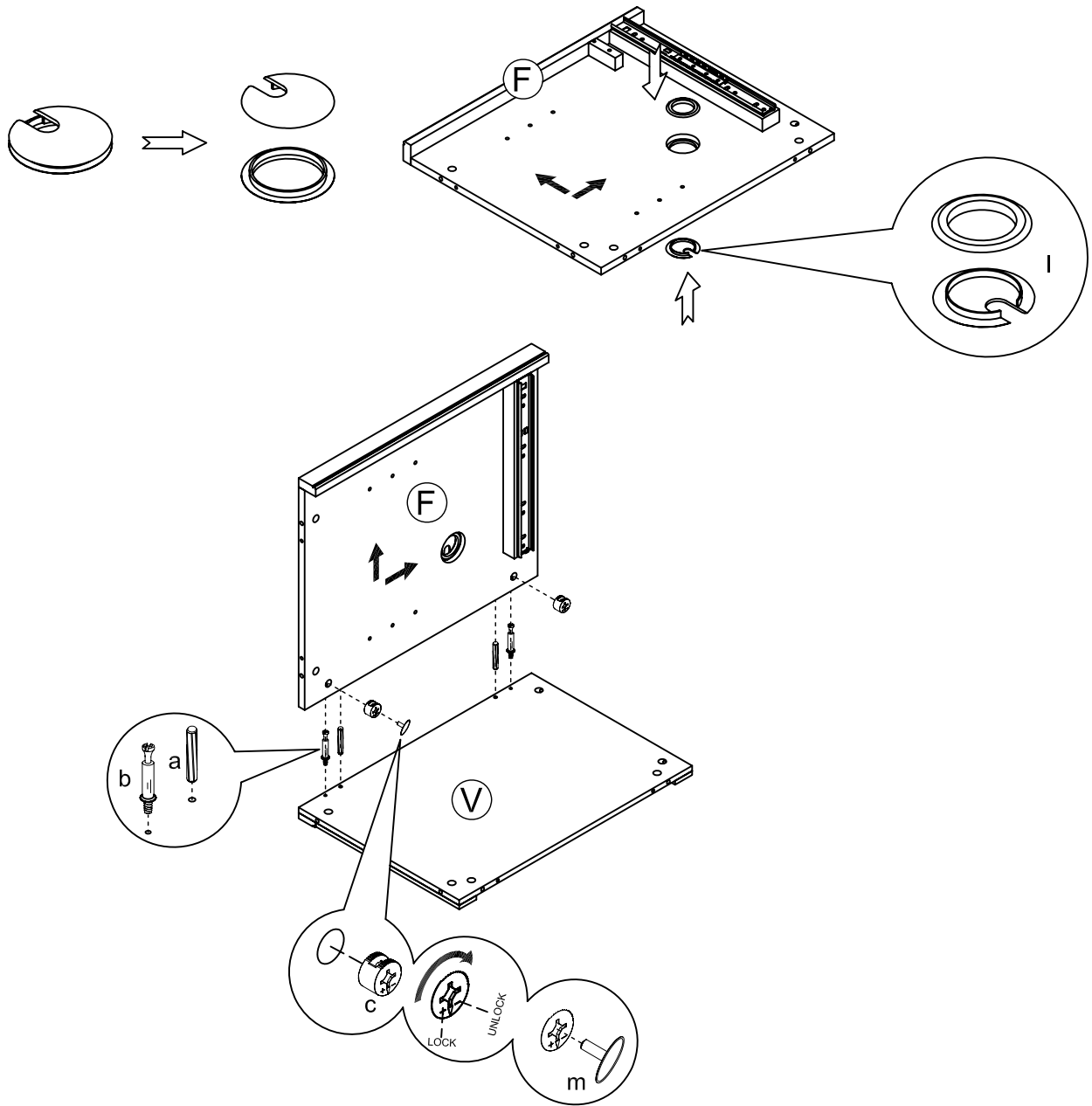
NOTE: • THE ARROWS ON THE HIDDEN CAM-LOCKS SHOULD POINT TO THE CAM-BOLTS.

FIG 1



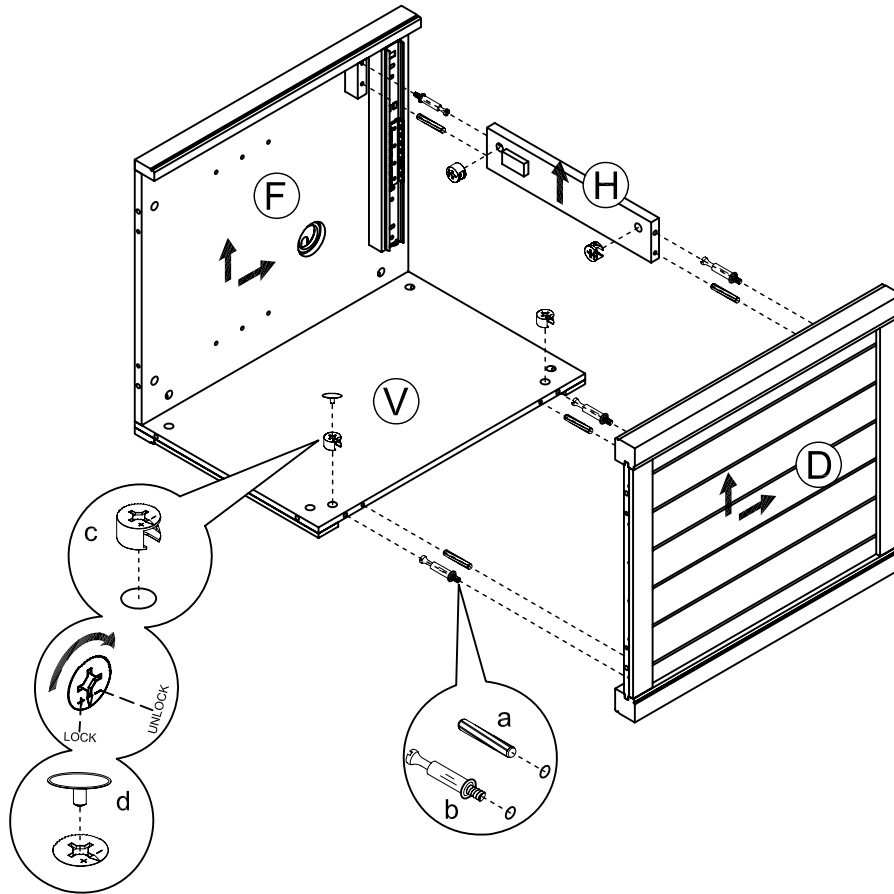
- INSTALL THE WOOD DOWEL (a) AND THE CAM LOCK BOLT (b) INTO THE LEFT SIDE PANEL (C), THE LEFT PARTITION (E) AND THE BACK PANEL (V).
- JOIN THE LEFT PARTITION (E) TO THE BACK PANEL (V) BY USING WOOD DOWEL (a) FIRST.
- TIGHTEN THE CAM LOCK BOLT (b) BY USING THE CAM LOCK (c) IN PRE-DRILLED HOLES.
- JOIN THE LEFT FIXED PANEL (N) AND THE LEFT FRONT CROSS BRACE (G) TO THE LEFT SIDE PANEL (C) AND THE LEFT PARTITION (E) BY USING WOOD DOWEL (a) FIRST.
- TIGHTEN THE CAM LOCK BOLT (b) BY USING THE CAM LOCK (c) IN PRE-DRILLED HOLES.

FIG 2



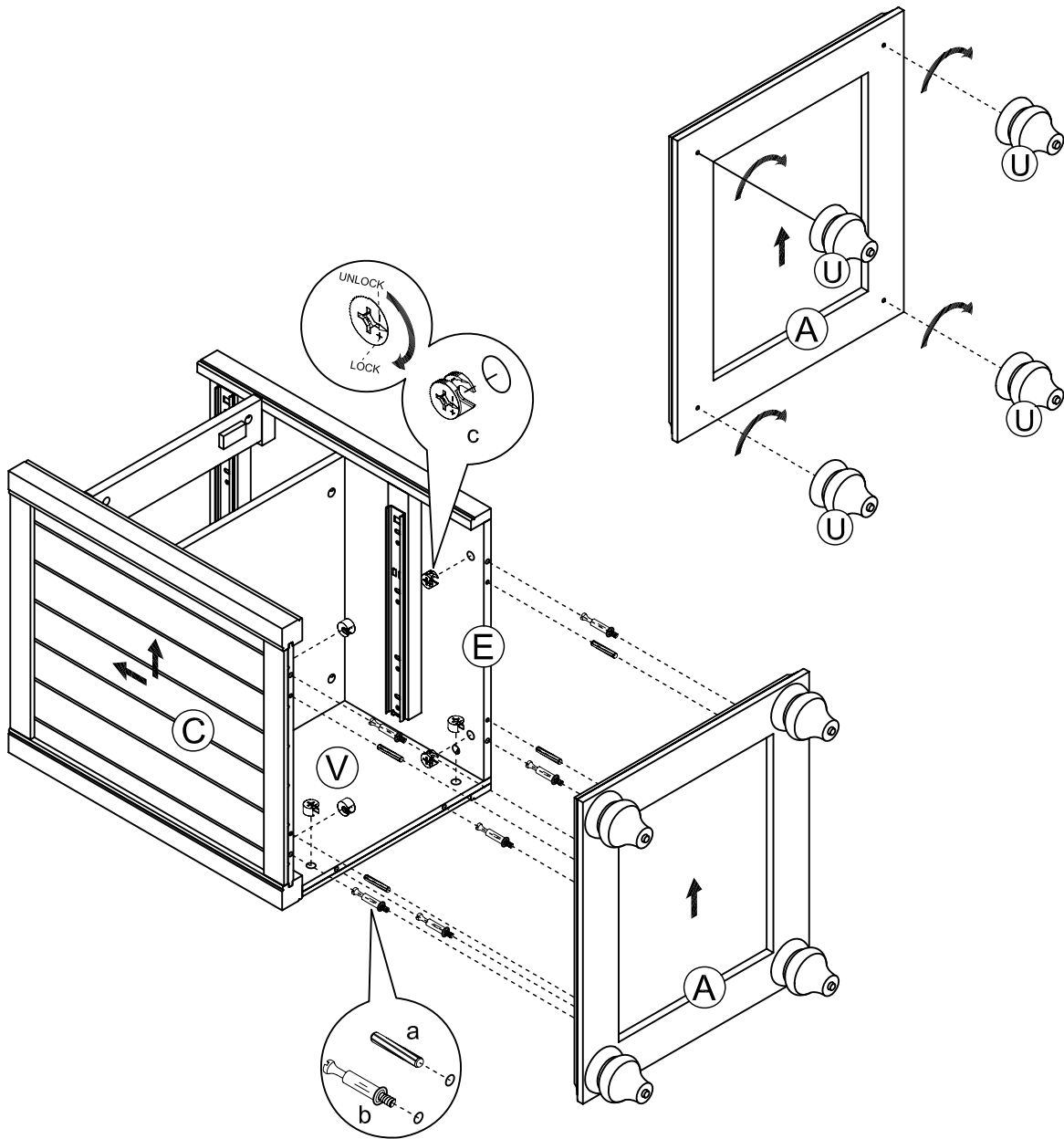
- INSTALL THE WIRE PLUG (l) INTO THE RIGHT PARTITION (F) AS SHOWN.
- INSTALL THE WOOD DOWEL (a) AND THE CAM LOCK BOLT (b) INTO THE BACK PANEL (V).
- JOIN THE RIGHT PARTITION (F) TO THE BACK PANEL (V) BY USING WOOD DOWEL (a) FIRST.
- TIGHTEN THE CAM LOCK BOLT (b) BY USING THE CAM LOCK (c) IN PRE-DRILLED HOLES.
- COVER THE CAM HOLES WITH LONG PLASTIC COVER (m).

FIG 3



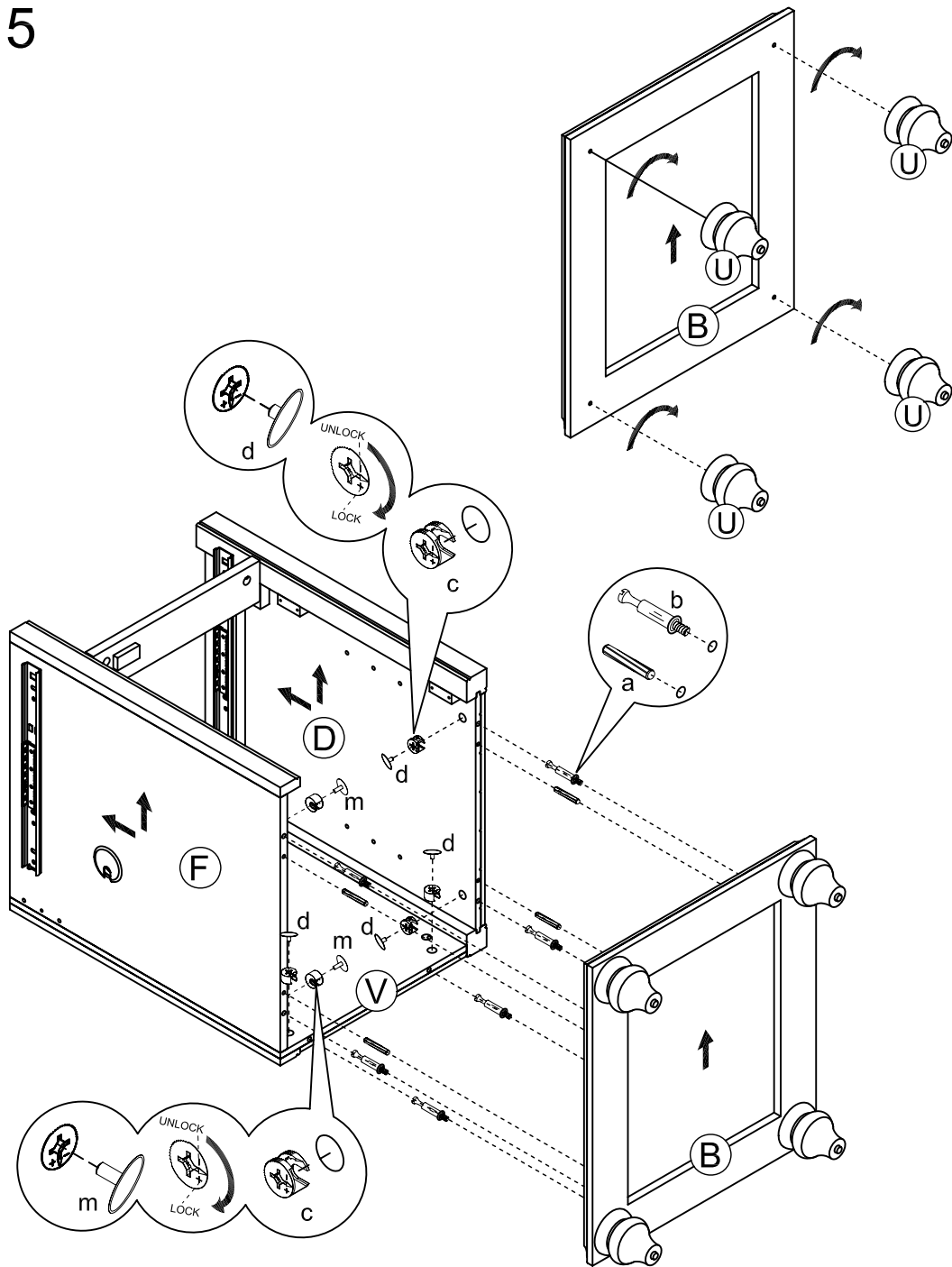
- INSTALL THE WOOD DOWEL (a) AND THE CAM LOCK BOLT (b) INTO THE RIGHT SIDE PANEL (D), THE RIGHT PARTITION (F) .
- JOIN THE BACK PANEL (V) AND THE RIGHT FRONT CROSS BRACE (H) TO THE RIGHT SIDE PANEL (D) AND THE RIGHT PARTITION (F) BY USING WOOD DOWEL (a) FIRST.
- TIGHTEN THE CAM LOCK BOLT (b) BY USING THE CAM LOCK (c) IN PRE-DRILLED HOLES.
- COVER THE CAM HOLES WITH SHORT PLASTIC COVER (d).

FIG 4



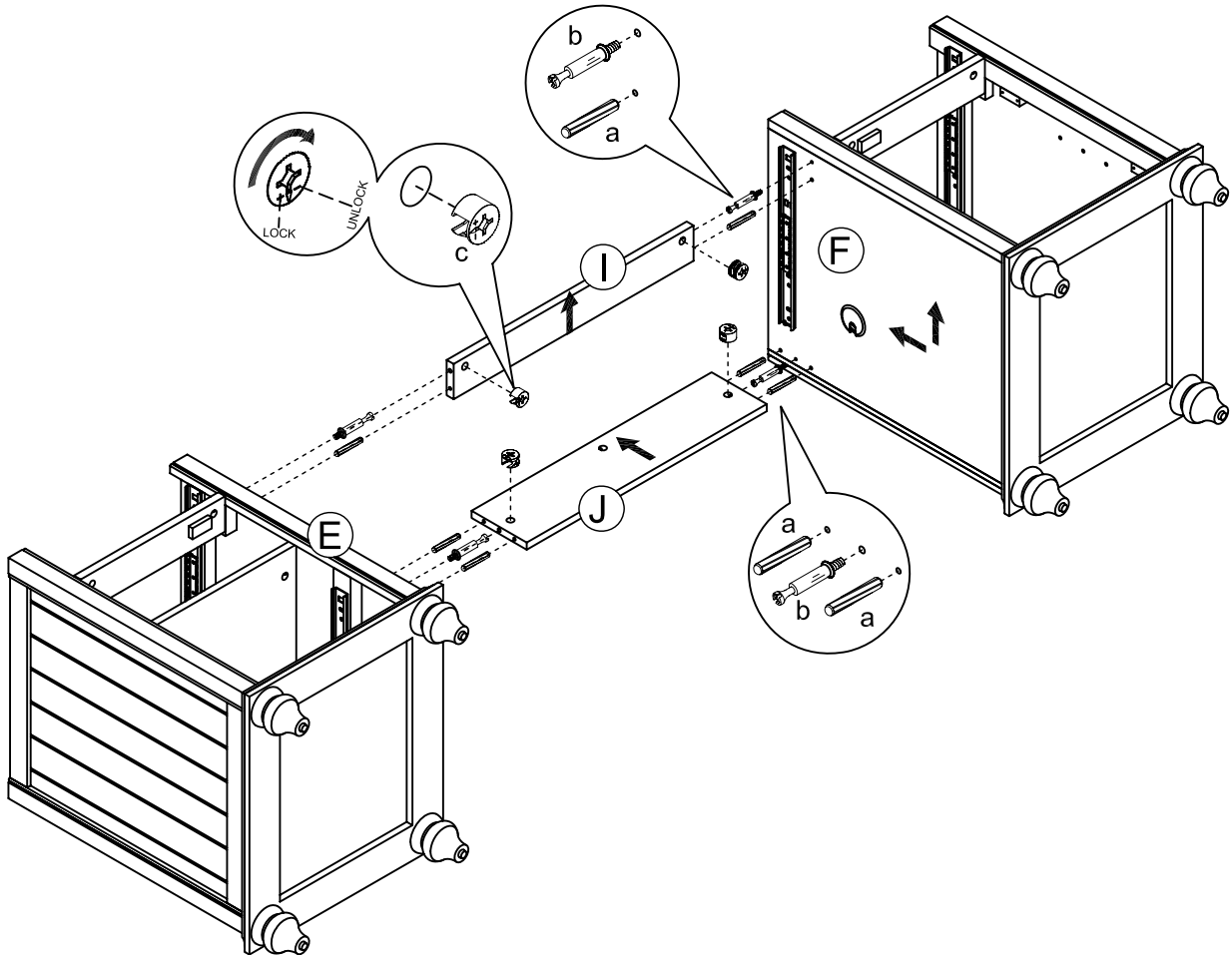
- TIGHTEN THE BALL FOOT (U) TO THE LEFT BOTTOM PANEL (A) AS SHOWN .
- INSTALL THE WOOD DOWEL (a) AND THE CAM LOCK BOLT (b) INTO THE LEFT BOTTOM PANEL (A).
- JOIN THE LEFT BOTTOM PANEL (A) TO THE ASSEMBLED PART BY USING WOOD DOWEL (a) FIRST.
- TIGHTEN THE CAM LOCK BOLT (b) BY USING THE CAM LOCK (c) IN PRE-DRILLED HOLES.

FIG 5



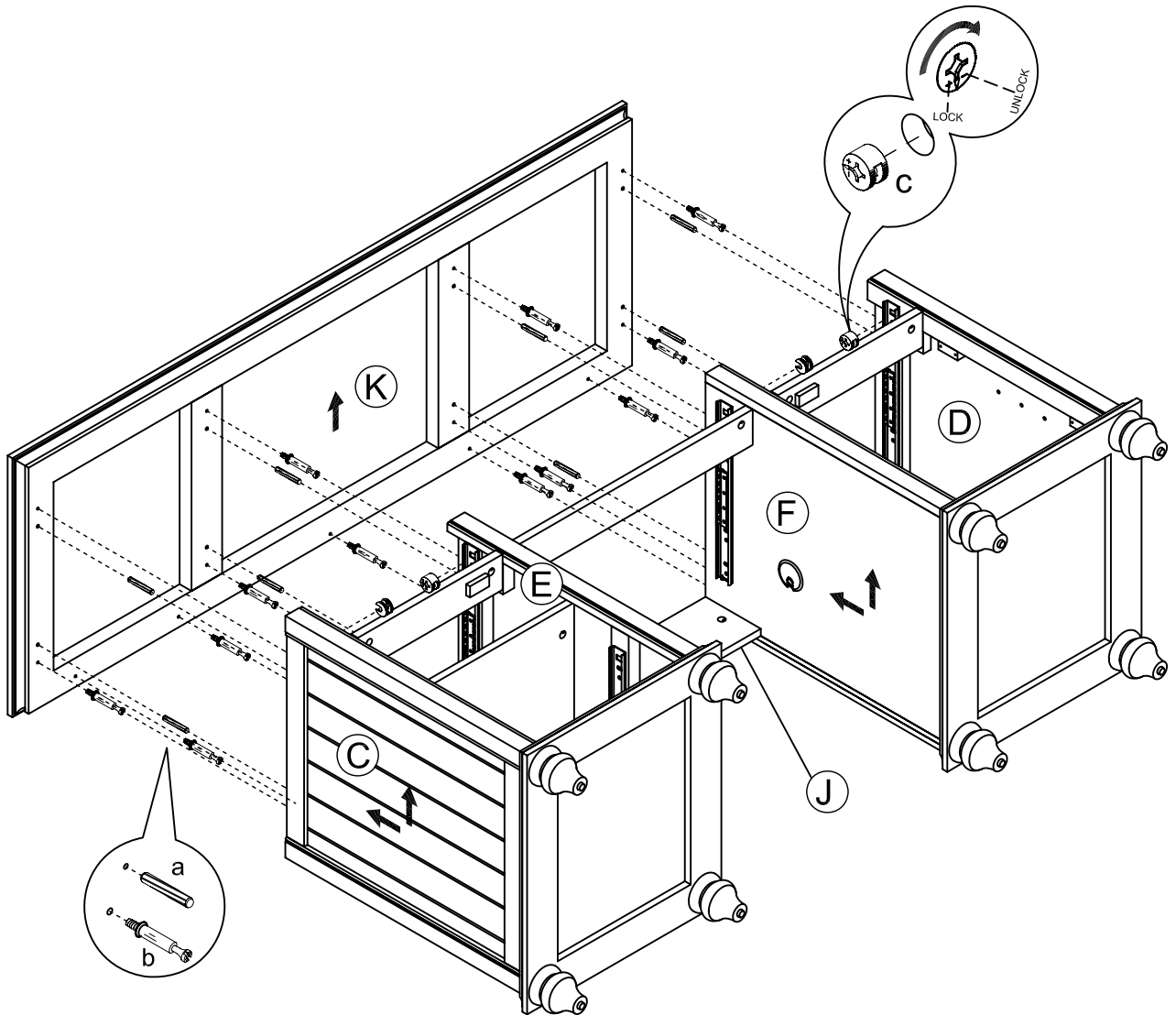
- TIGHTEN THE BALL FOOT (U) TO THE RIGHT BOTTOM PANEL (B) AS SHOWN .
- INSTALL THE WOOD DOWEL (a) AND THE CAM LOCK BOLT (b) INTO THE RIGHT BOTTOM PANEL (B).
- JOIN THE RIGHT BOTTOM PANEL (B) TO THE ASSEMBLED PART BY USING WOOD DOWEL (a) FIRST.
- TIGHTEN THE CAM LOCK BOLT (b) BY USING THE CAM LOCK (c) IN PRE-DRILLED HOLES.
- COVER THE CAM HOLES WITH SHORT PLASTIC COVER (d) AND THE LONG PLASTIC COVER (m).

FIG 6



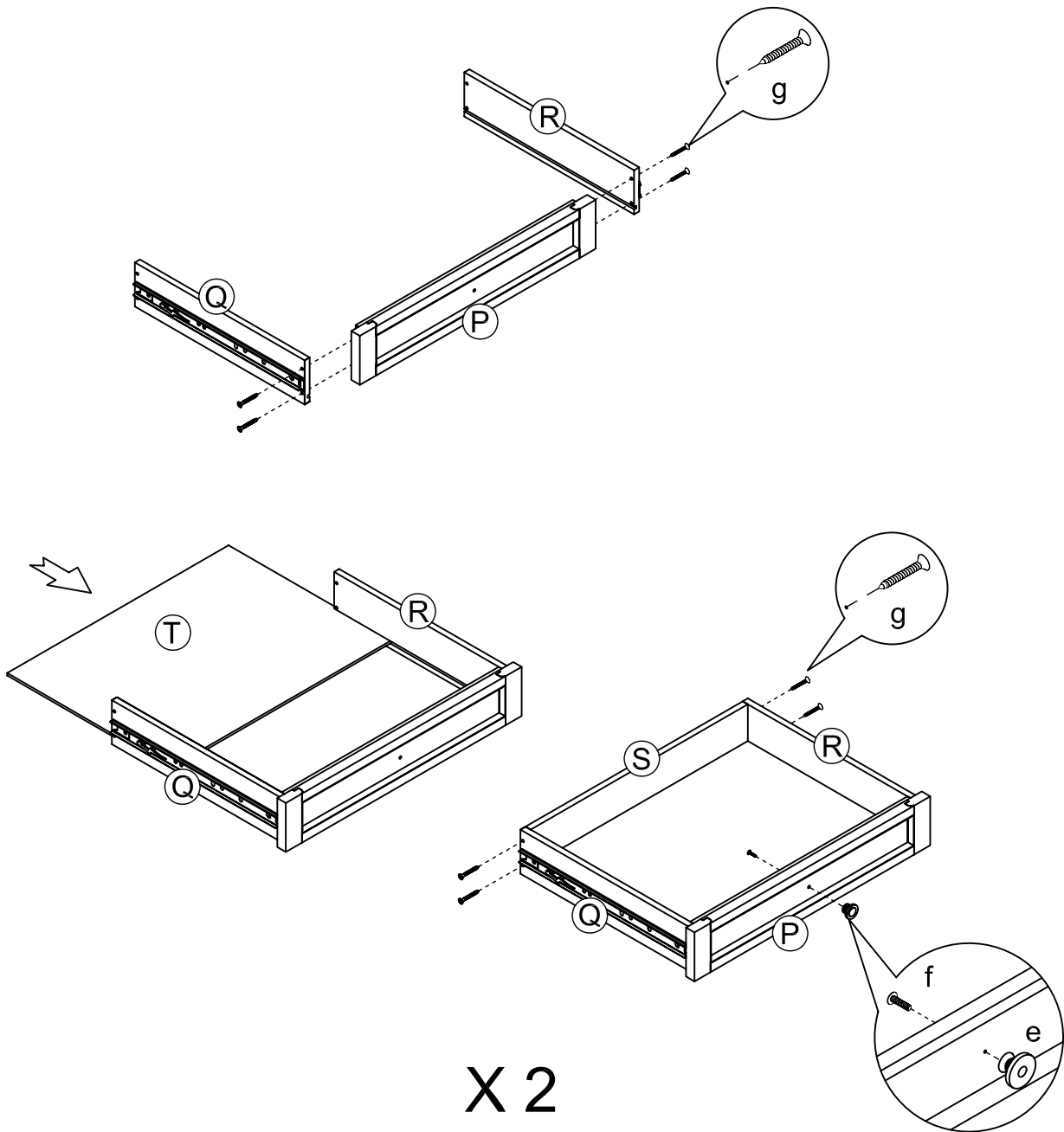
- INSTALL THE WOOD DOWEL (a) AND THE CAM LOCK BOLT (b) INTO THE LEFT PARTITION (E) AND THE RIGHT PARTITION (F).
- JOIN THE BACK CROSS BRACE (J) AND THE MIDDLE FRONT CROSS BRACE (I) TO TWO ASSEMBLED PARTS BY USING WOOD DOWEL (a) FIRST.
- TIGHTEN THE CAM LOCK BOLT (b) BY USING THE CAM LOCK (c) IN PRE-DRILLED HOLES.

FIG 7



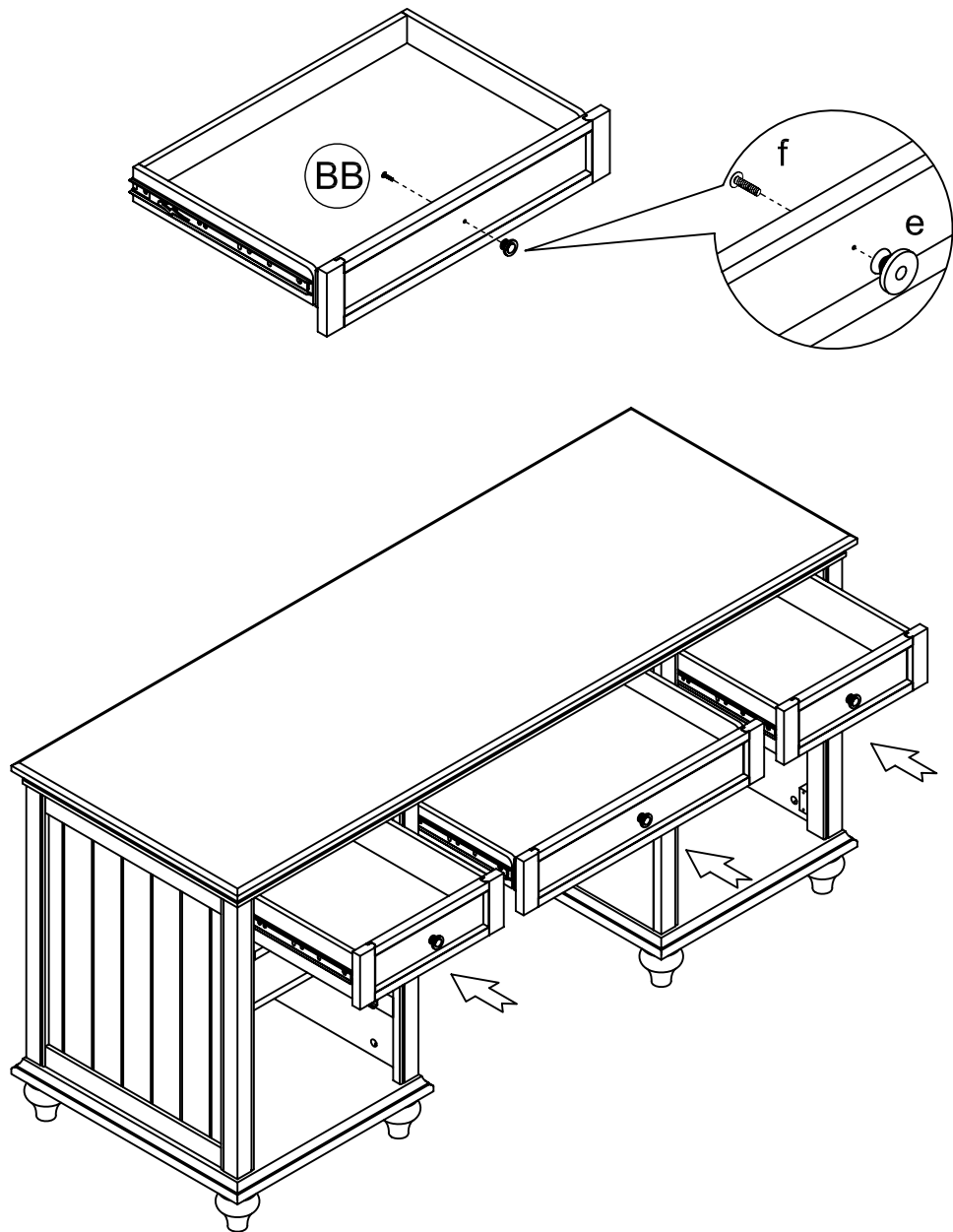
- INSTALL THE WOOD DOWEL (a) AND THE CAM LOCK BOLT (b) INTO THE TOP PANEL (K).
- JOIN THE TOP PANEL (K) TO ASSEMBLED PARTS BY USING WOOD DOWEL (a) FIRST.
- TIGHTEN THE CAM LOCK BOLT (b) BY USING THE CAM LOCK (c) IN PRE-DRILLED HOLES.

FIG 8



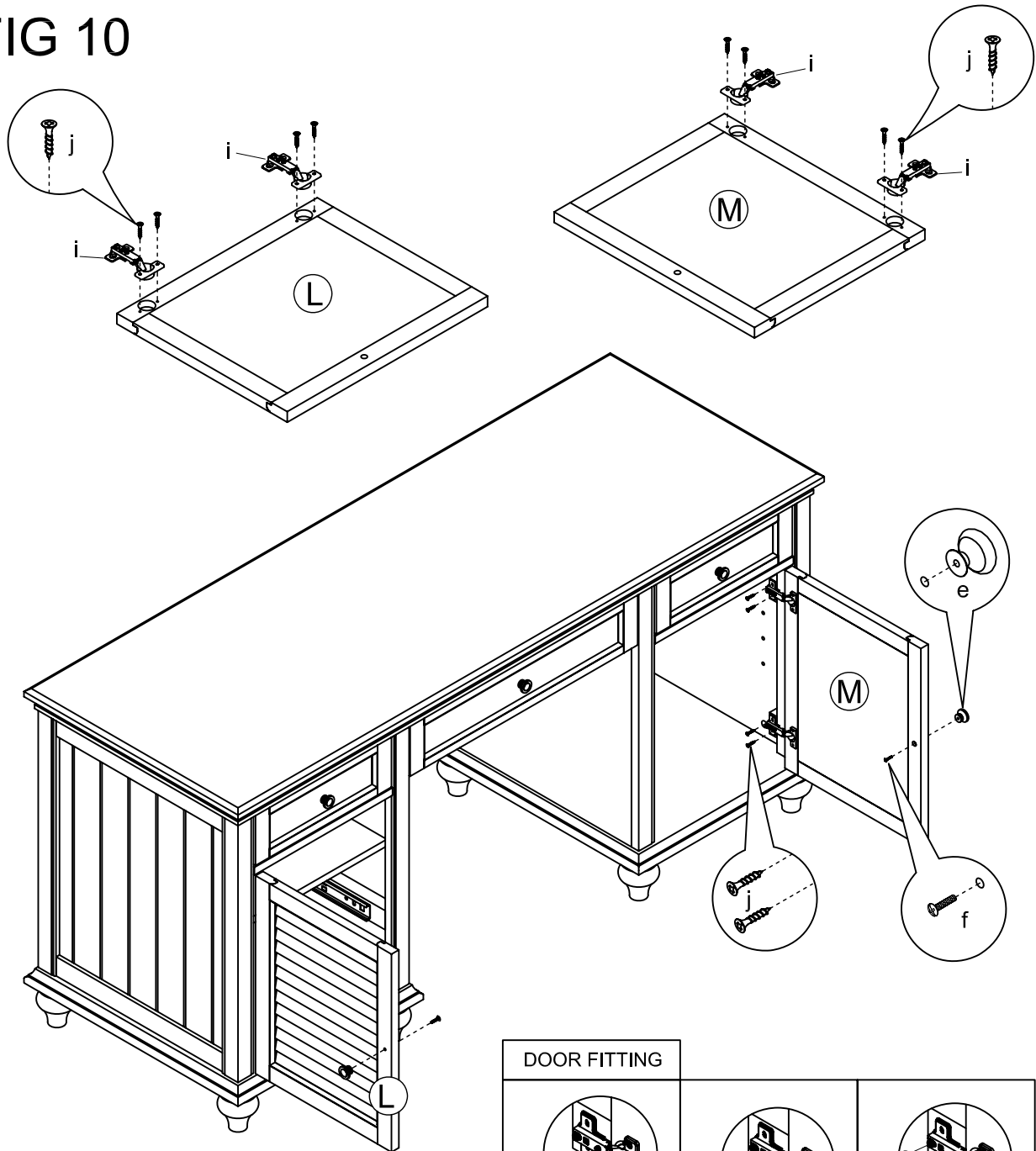
- TIGHTEN THE SMALL DRAWER LEFT SIDE PANEL (Q) AND THE SMALL DRAWER RIGHT SIDE PANEL (R) TO THE SMALL DRAWER FRONT PANEL (P) BY USING THE 1" FLAT HEAD SCREW (g).
- SLIDE THE SMALL DRAWER BOTTOM PANEL (T) INTO THE GROOVES ON THE SMALL DRAWER LEFT SIDE PANEL (Q) AND THE SMALL DRAWER RIGHT SIDE PANEL (R).
- TIGHTEN THE SMALL DRAWER BACK PANEL (S) TO THE ASSEMBLED PART BY USING THE 1" FLAT HEAD SCREW (g).
- TIGHTEN THE KNOB (e) TO THE SMALL DRAWER FRONT PANEL (P) BY USING THE KNOB BOLT (f).

FIG 9



- TIGHTEN THE KNOB (e) TO THE ASSEMBLED MIDDLE DRAWER (BB) BY USING THE KNOB BOLT (f) AS SHOWN.
- INSERT THE ASSEMBLED DRAWERS INTO THE ASSEMBLED PART AS SHOWN.

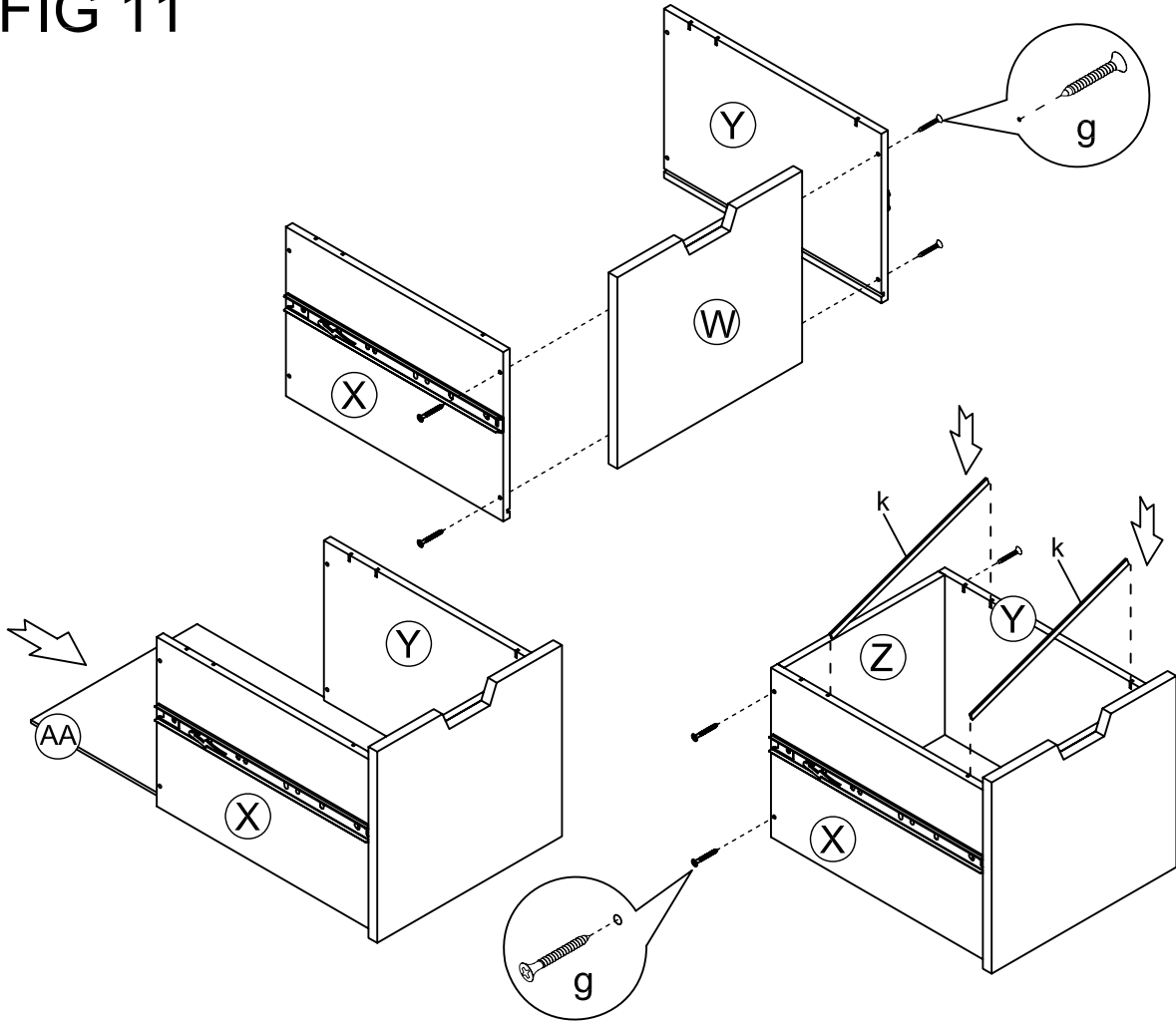
FIG 10



DOOR FITTING		
To adjust in width	To adjust in height	To adjust in depth

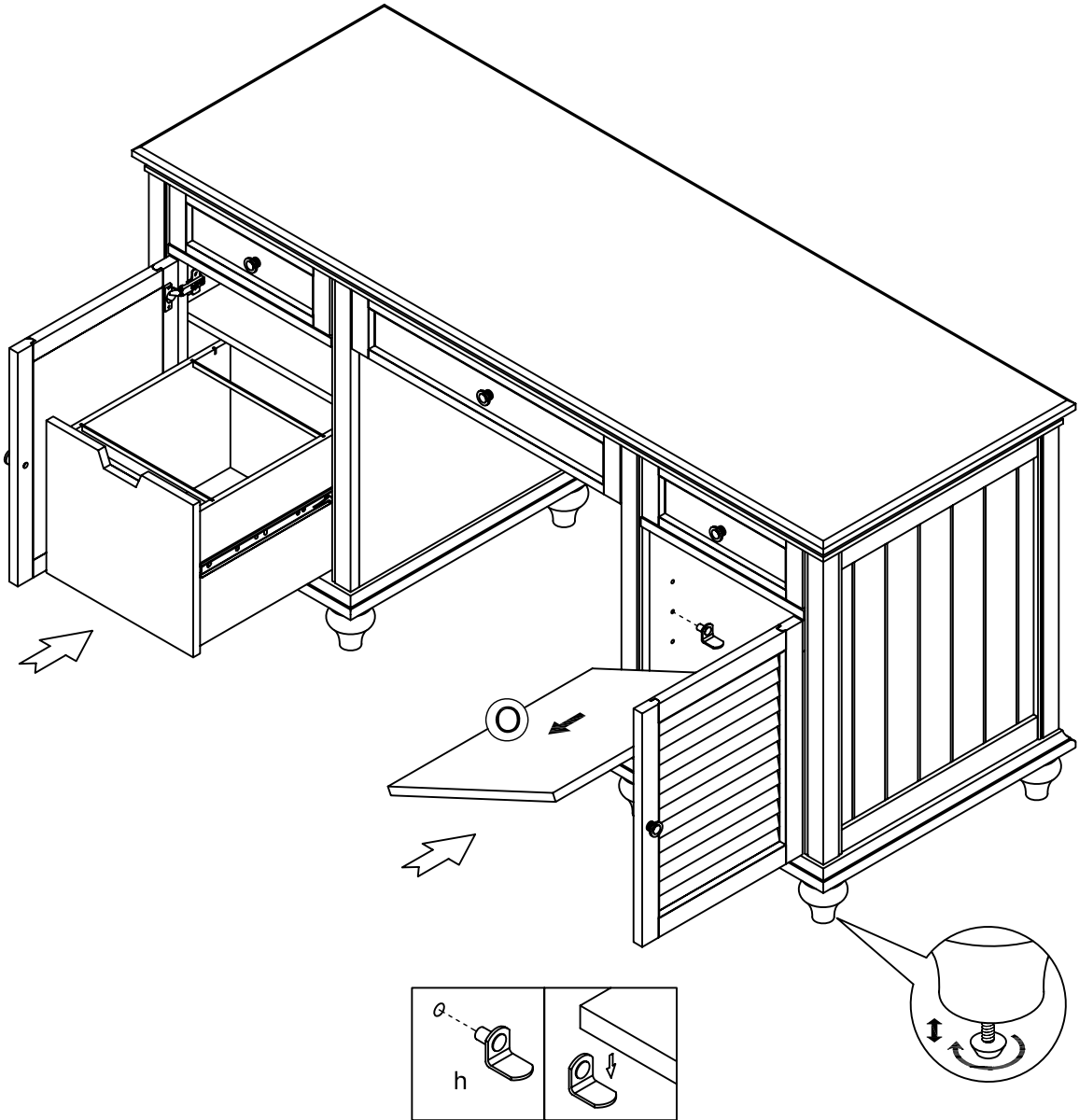
- ATTACH THE HINGE (i) TO THE LEFT SIDE DOOR (L) AND THE RIGHT DOOR (M) BY USING THE 5/8" FLAT HEAD SCREW (j).
- ATTACH THE LEFT SIDE DOOR (L) AND THE RIGHT DOOR (M) TO THE ASSEMBLED PART BY USING THE 5/8" FLAT HEAD SCREW (j) AS SHOWN.
- TIGHTEN THE KNOB (e) TO THE LEFT SIDE DOOR (L) AND THE RIGHT DOOR (M) BY USING THE KNOB BOLT (f).

FIG 11



- TIGHTEN THE LARGE DRAWER LEFT SIDE PANEL (X) AND THE LARGE DRAWER RIGHT SIDE PANEL (Y) TO THE LARGE DRAWER FRONT PANEL (W) BY USING THE 1" FLAT HEAD SCREW (g).
- SLIDE THE LARGE DRAWER BOTTOM PANEL (AA) INTO THE GROOVES ON THE LARGE DRAWER LEFT SIDE PANEL (X) AND THE LARGE DRAWER RIGHT SIDE PANEL (Y).
- TIGHTEN THE LARGE DRAWER BACK PANEL (Z) TO THE ASSEMBLED PART BY USING THE 1" FLAT HEAD SCREW (g).
- PLACE THE METAL BAR (k) INTO THE LARGE DRAWER LEFT SIDE PANEL (X) AND THE LARGE RIGHT SIDE PANEL (Y) AS SHOWN.

FIG 12



- INSERT THE SHELF PIN (h) IN THE DESIRED POSITION AND THEN PLACE THE ADJUSTABLE SHELF (O) ON THE PINS.
- INSERT THE LARGE DRAWER INTO THE ASSEMBLED PART AS SHOWN.