

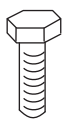
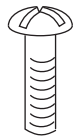
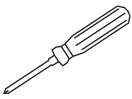
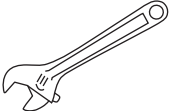
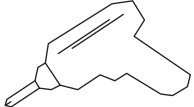






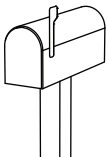
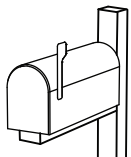
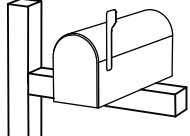
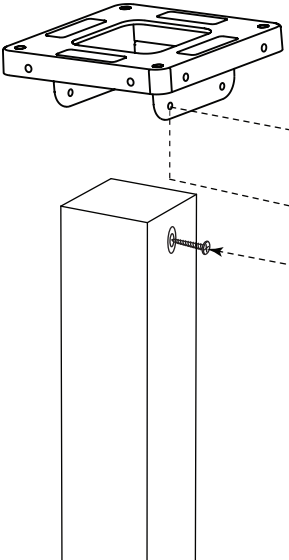
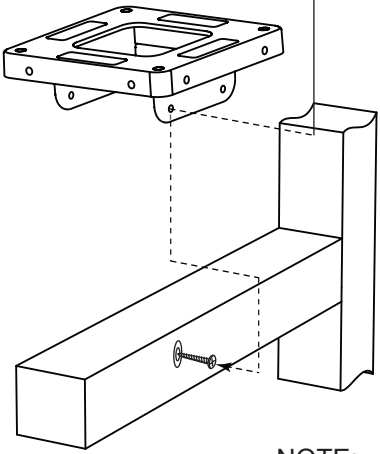

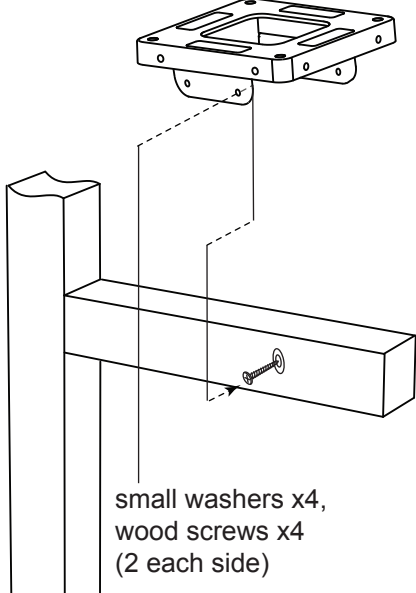
Quick Mailbox 4 X 4 Adapter (Model 7545) Installation Instructions

Thank you for purchasing this premium mailbox accessory item. We know you'll be satisfied with the years of service it will provide. If you have any questions about how to mount or use this item, please call us directly at 310-374-5700 or contact us at support@architecturalmailboxes.com.

This product can be used to attach any mailbox with a standard 5"x5" mailbox floor-mount bolt pattern and any mailbox with a standard 3.75" side flange mount screw pattern.

Tools (not included)			Hardware (included)			
Screwdriver	Wrench	Power screwdriver	 small nuts (x4)	 wood screws (x4)	 hex bolts (x4)	 machine screws (x4)
			 medium nuts (x4)			
			 small washers (x12)			
			 medium washers (x8)			
 Additional hardware (not included) may be required for extra large mailboxes.						

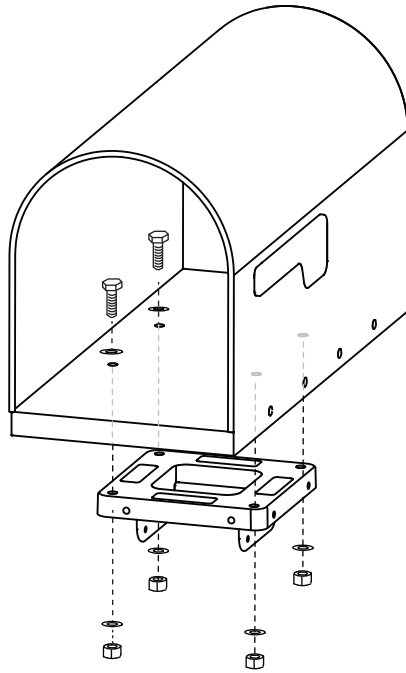
1 Pick a mounting type to suit your application

<p>On top of 4x4 post</p> 	<p>On forward facing arm</p> 	<p>On side arm or 4x4 rail</p> 
<p>small washers x4, wood screws x4 (2 each side)</p> 	<p>small washers x4, wood screws x4 (2 each side)</p>  <p>NOTE:  Depending on the mailbox floor style, you may need to raise the bracket for extra clearance.</p>	<p>small washers x4, wood screws x4 (2 each side)</p> 

Quick Mailbox 4 X 4 Adapter (Model 7545) Installation Instructions (continued)

2 Mount your mailbox to the installed adapter

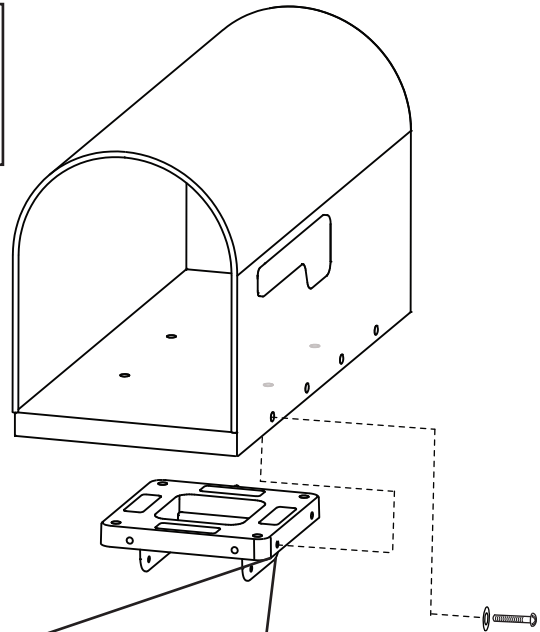
If your mailbox has
a floor-mount bolt pattern....



Use the 4 hex bolts, 8 medium washers
and 4 medium nuts to attach your
mailbox to the adapter.

If your mailbox has
side flange mount screw pattern...

Some mailboxes have
both styles of mounting
holes - choose what
suits you best.



Use the 4 machine screws,
8 small washers, and 4
small nuts to attach your
mailbox to the adapter.
Additional hardware (not
included) may be required
for extra large mailboxes.