

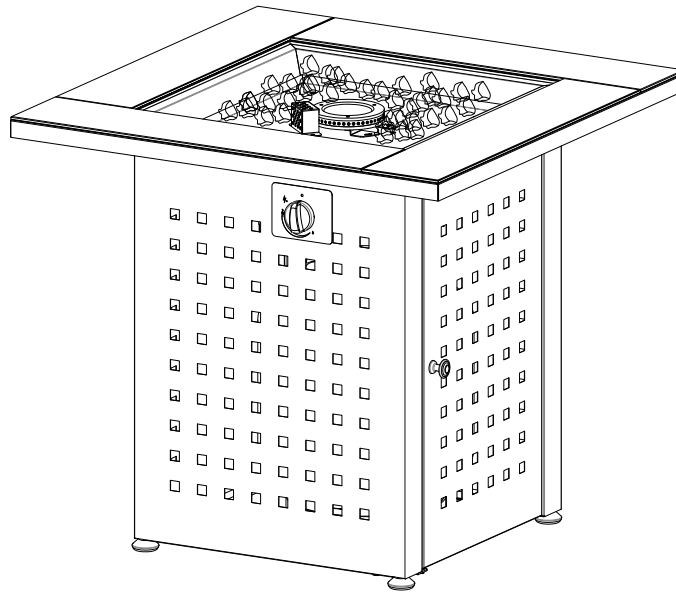


OUTDOOR PROPANE FIREPIT

MODEL #OFG012T / OFG824T / OFG007TF

Español p. 30

Français p. 59



C US

ANS Z21.97-2014 • CSA 2.41-2014
Outdoor Decorative Gas Appliance

*Propane cylinders sold separately.

*Item may have a slightly different appearance depending on the model # purchased.

IMPORTANT INSTRUCTIONS

PLEASE READ THIS MANUAL BEFORE INSTALLING AND USING APPLIANCE

WARNING

IF THE INFORMATION IN THIS MANUAL IS NOT FOLLOWED EXACTLY,
AN ELECTRICAL SHOCK OR FIRE MAY RESULT
CAUSING PROPERTY DAMAGE, PERSONAL INJURY OR LOSS OF LIFE.

INSTALLER: Leave this manual with the consumer.
CONSUMER: Retain this manual for future reference.

ATTACH YOUR RECEIPT HERE

Serial Number _____ Purchase Date _____



Questions, problems, missing parts? Before returning to your retailer, call our customer service department at 1-877-447-4768, 8:30AM – 4:30PM CST, Monday – Friday, or e-mail us at customerservice@ghpgroupinc.com

TABLE OF CONTENTS

Safety Information	4
Package Contents	7
Preparation	10
Assembly Instructions	11
Operating Instructions	18
Care and Maintenance	23
Warranty	24
Troubleshooting	25
Replacement Parts List	26

⚠ WARNING: For Outdoor Use Only.

⚠ DANGER:

If you smell gas:

1. Shut off gas to the appliance.
2. Extinguish any open flame.
3. If odor continues, keep away from the appliance and immediately call your gas supplier or your fire department.

⚠ WARNING:

Do not store or use gasoline or other flammable vapors or liquids in the vicinity of this or any other appliance.

An LP cylinder not connected for use shall not be stored in the vicinity of this or any other appliance.

⚠ WARNING: Improper installation, adjustment, alteration, service or maintenance can cause injury or property damage. Refer to the owner's information manual provided with this appliance. For assistance or additional information consult a qualified installer, service agency or the gas supplier.

⚠ DANGER



CARBON MONOXIDE HAZARD

This appliance can produce carbon monoxide which has no odor.

Using it in an enclosed space can kill you.

Never use this appliance in an enclosed space such as a camper, tent, car or house.

LP-GAS CYLINDER LABEL

**⚠ DANGER • FLAMMABLE GAS UNDER PRESSURE.
LEAKING LP-GAS MAY CAUSE A FIRE OR EXPLOSION IF IGNITED
CAUSING SERIOUS BODILY INJURY OR DEATH.
CONTACT LP GAS SUPPLIER FOR REPAIRS, OR DISPOSAL OF THIS
CYLINDER OR UNUSED LP-GAS.**

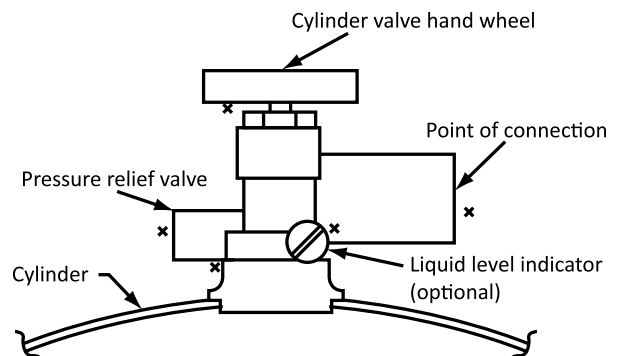
**⚠ WARNING • FOR OUTDOOR USE ONLY.*
DO NOT USE OR STORE CYLINDER IN A BUILDING,
GARAGE OR ENCLOSED AREA.**

⚠ WARNING:

- Know the odor of LP-gas. If you hear, see or smell leaking LP-gas, immediately get everyone away from the cylinder and call the Fire Department. Do not attempt repairs.
- Caution your LP-gas supplier to:
 - Be certain cylinder is purged of trapped air prior to first filling.
 - Be certain not to over fill the cylinder.
 - Be certain cylinder requalification date is checked.
- LP-gas is heavier than air and may settle in low places while dissipating.
- Contact with the liquid contents of cylinder will cause freeze burns to the skin.
- Do not allow children to tamper or play with cylinder.
- When not connected for use, keep cylinder valve turned off. Self contained appliances shall be limited to a cylinder of 30 lb capacity or less.
- Do not use, store or transport cylinder where it would be exposed to high temperatures. Relief valve may open allowing a large amount of flammable gas to escape.
- When transporting, keep cylinder secured in an upright position with cylinder valve turned off.

WHEN CONNECTING FOR USE:

- Use only in compliance with applicable codes.
- Read and follow manufacturer's instructions.
- Consult manufacturer's instructions concerning the cylinder connection provided with your appliance.
- Be sure regulator vent is not pointing up.
- Turn off all valves on the appliance.
- Do not check for gas leaks with a match or open flame. Apply soapy water at areas marked "X". Open cylinder valve. If bubble appears, close valve and have LP-gas service person make needed repairs. Also, check appliance valves and connections to make sure they do not leak before lighting appliance.
- Light appliance(s) following manufacturer's instructions.
- When appliance is not in use, keep the cylinder valve closed.



**DO NOT REMOVE, DEFACE, OR OBLITERATE THIS LABEL
*EXCEPT AS AUTHORIZED BY ANSI/NFPA 58.**

⚠ DANGER. Do not store a spare LP cylinder under or near a barbecue grill, or other heat sources.
NEVER fill an LP cylinder beyond 80% full: a fire causing death or serious injury may occur.

SAFETY INFORMATION

Please read and understand this entire manual before attempting to assemble, operate or install the product. If you have any questions regarding the product, please call customer service at 1-877-447-4768 8:30AM – 4:30PM CST, Monday – Friday.

DANGER

- Failure to follow the dangers, warnings and cautions contained in this owner's manual may result in serious bodily injury or death, or in a fire or an explosion causing damage to property.

WARNING

- Maximum inlet gas supply pressure: 250 psi/ 1750 kPa. Manifold pressure with regulator provided: 11 inch W.C/ 2.74 kPa.
- This appliance shall be used only outdoors in a well-ventilated space and shall not be used in a building, garage or any other enclosed area.
- DO NOT use this appliance for cooking
- The installation of this product must conform with local codes or, in absence of local codes, with either the National Fuel Gas Code, ANSIZ223.1/NFPA 54, or the CAN/CGA-B149.1, Natural Gas and Propane Installation Code.
- Do not use this appliance if any part has been under water. Immediately call a qualified service technician to inspect the appliance and to replace any part of the control system and any gas control that has been under water.
- Do not store a spare or disconnected propane cylinder under or near this appliance.
- Do not operate the propane appliance if there is a gas leak present.
- Never use a flame to check for gas leaks.
- Clearance to combustible materials minimum of 24 inches/60.96cm from the sides of your propane appliance and minimum of 60 inches/152.4 cm from the top of your propane appliance. Only place unit on non-combustible surfaces.
- Do not put any other appliance cover or anything flammable on, or beneath the appliance.
- **The propane appliance should never be used by children. Young children should be carefully supervised when they are in the area of the appliance.**
- **Children and adults should be alerted to the hazards of high surface temperatures and keep a safe distance to avoid burning or clothing ignition.**
- Should fire go out while burning, turn the gas valve off. Follow the instructions and wait five minutes before attempting to relight.
- Never use wood or any other solid fuel in the appliance. Solid fuels shall not be burned in this gas fire pit.
- **Never hang or place clothing or other flammable materials on or near the appliance.**
- Never lean over the operating appliance or place hands or fingers on the upper portion of the operational unit.
- Keep ventilation openings in cylinder enclosure free and clear of debris.
- Do not alter the appliance.
- The conversion or attempted use of natural gas in a propane unit or propane gas in a natural gas unit is dangerous.
- For use with cylinders marked PROPANE only. DO NOT connect to a remote gas supply.
- Do not use this appliance on vehicles or boats. Always operate the appliance on a flat/level surface.

SAFETY INFORMATION

WARNING

- Keep any electrical supply cord and fuel supply hose away from any heated surfaces.
- Keep your appliance free and clear from combustible materials, gasoline and other flammable vapors and liquids.
- Visually inspect burner for obstructions. Keep tank enclosure free and clear from debris.
- Do not use this appliance unless all parts are in place.
- **Any guard or other protective device removed for servicing the appliance must be replaced prior to operating the appliance.**
- The hose assembly must be replaced prior to the appliance being put into operation if there is evidence of excessive abrasion or wear or if the hose is damaged. The replacement hose assembly shall be specified by the manufacturer.
- **Installation and repair should be done by a qualified service person. The appliance should be inspected before use and at least annually by a qualified service person. More frequent cleaning may be required as necessary. It is imperative that control compartment, burners and circulating air passageways of the appliance be kept clean.**
- The propane gas supply cylinder to be used must be constructed and marked in accordance with the Specifications for LP Gas Cylinders of the U.S. Department of Transportation (D.O.T.) or the National Standard of Canada, CAN/CSA-B339, Cylinders, Spheres and Tubes for Transportation of Dangerous Goods; and Commission, as applicable; and provided with a listed overfilling prevention device.
- Use only 20-pound cylinders (approximately 18 1/4 inches high and 12 1/4 inches in diameter) equipped with a cylinder connection device compatible with the connection for the hose regulator supplied with this appliance. The cylinder must include a collar to protect the cylinder valve. The gas cylinder should not be dropped or handled roughly!
- Cylinders must be stored outdoors in a well-ventilated area out of the reach of children.
- Disconnect the cylinder when the appliance is not being used.
- Disconnected cylinders must have valve caps tightly installed and must not be stored in building or any other enclosed area.
- Do not use this appliance under umbrellas, awnings, etc.
- Only use the appliance on stable surfaces.
- Do not operate with a vinyl or PVC cover.
- Allow the unit to cool before placing a vinyl or PVC cover on the unit.
- Do not sit on unit.
- Never use charcoal or lighter fluid with the fire pit.
- Do not use gasoline, kerosene or alcohol for lighting.
- Never keep a filled LP cylinder in a hot car or car trunk. Heat will cause the gas pressure to increase, which may open the relief valve and allow gas to escape.
- Do not lean over fire pit when lighting. Read instructions before lighting.
- If the flame extinguishes accidentally during ignition or operation, immediately TURN OFF the cylinder valve and then TURN OFF the control knob.

 **WARNING**

FOR PROPANE GAS UNITS

- The gas pressure regulator provided with the propane appliance must be used.
- The replacement pressure regulator must be those specified by the appliance manufacturer.
- Do not attempt to disconnect the gas cylinder or any gas fitting while your appliance is in operation.
- A dented or rusty propane cylinder may be hazardous and should be checked by your gas supplier prior to use.
- Do not use a propane cylinder with a damaged valve and any other worn out parts.
- Transit and store the empty gas cylinders carefully and properly.
- If you see, smell or hear the hiss of escaping gas from the propane cylinder:
 1. Disconnect propane gas cylinder
 2. Do not attempt to correct the problem yourself.
 3. Get to your gas supplier and/or the fire department for help.

 **WARNING**

CALIFORNIA PROPOSITION 65

Fuels used in liquefied propane gas appliances, and the products of combustion of such fuels, can expose you to chemicals including benzene, which is known to the state of California to cause cancer and cause birth defects or other reproductive harm.

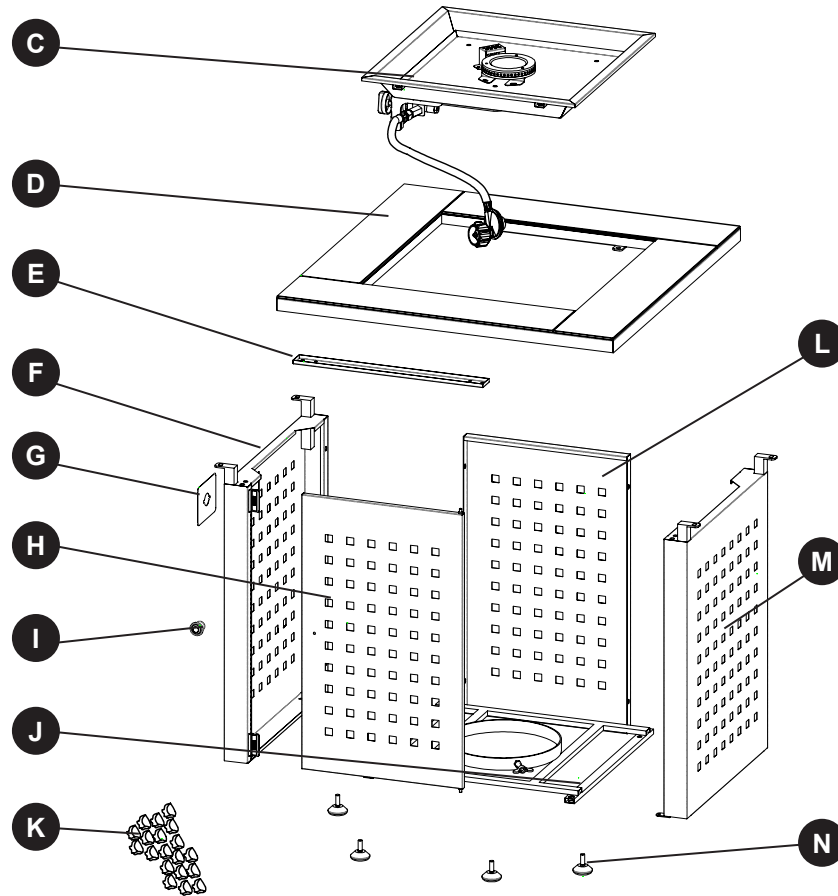
For more information go to: www.P65warnings.ca.gov

 **CAUTION**

GLASS ROCKS

1. Do not light or use gas unit if glass rocks are wet. Make sure glass rocks are completely dry before lighting as intense heat could cause the rock to crack.
2. Glass rocks could hit a person's face or eyes during the initial startup of this unit. Keep away from the appliance for the first 20 minutes after lighting.

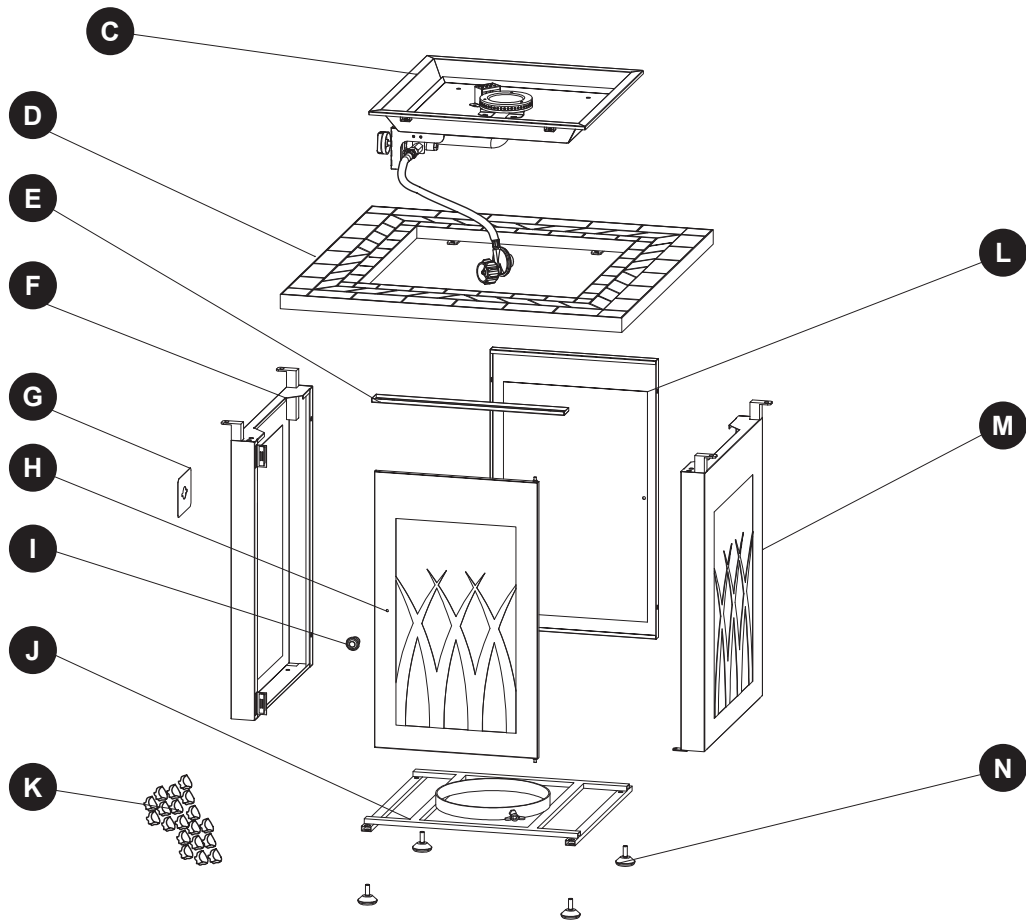
PACKAGE CONTENTS FOR OFG012T



PART	DESCRIPTION	QTY.
C	Burner Assembly	1
D	Glass Table	1
E	Door Bracket	1
F	Left Side Panel	1
G	Control Panel	1
H	Door	1

PART	DESCRIPTION	QTY.
I	Knob	1
J	Bottom Plate	1
K	Glass Rocks (One Pack)	1
L	Back Panel	1
M	Right Side Panel	1
N	Foot	4

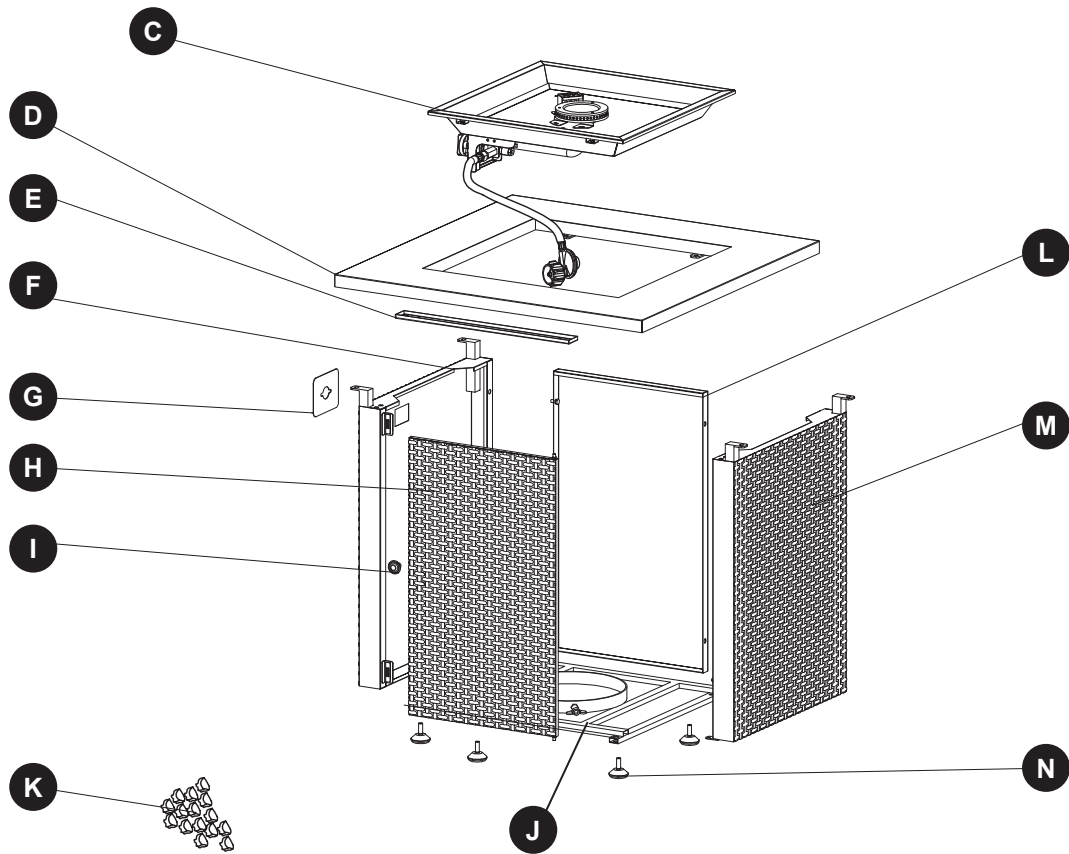
PACKAGE CONTENTS FOR OFG824T



PART	DESCRIPTION	QTY.
C	Burner Assembly	1
D	Table	1
E	Door Bracket	1
F	Left Side Panel	1
G	Control Panel	1
H	Door	1

PART	DESCRIPTION	QTY.
I	Knob	1
J	Bottom Plate	1
K	Glass Rocks (One Pack)	1
L	Back Panel	1
M	Right Side Panel	1
N	Foot	4

PACKAGE CONTENTS FOR OFG007TF

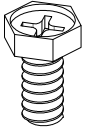


PART	DESCRIPTION	QTY.
C	Burner Assembly	1
D	Table	1
E	Door Bracket	1
F	Left Side Panel	1
G	Control Panel	1
H	Door	1

PART	DESCRIPTION	QTY.
I	Knob	1
J	Bottom Plate	1
K	Glass Rocks (One Pack)	1
L	Back Panel	1
M	Right Side Panel	1
N	Foot	4

HARDWARE USED

AA



Bolt
M6 X 12
Qty. 20

BB



Screw
M4 X 6
Qty. 1

CC



Screw
M5 x 8
Qty. 2

DD



Washer
ø4
Qty. 1

EE



Phillips
screwdriver
Qty. 1

PREPARATION

Before beginning assembly of product, make sure all parts are present. Compare parts with package contents list and hardware contents above. If any part is missing or damaged, do not attempt to assemble the product. Contact customer service for replacement parts.

Estimated Assembly Time: 45 minutes

Tools required for assembly (not included):
Leak Detection Solution.

⚠ CAUTION

THIS UNIT IS HEAVY. Two people required for safe assembly.

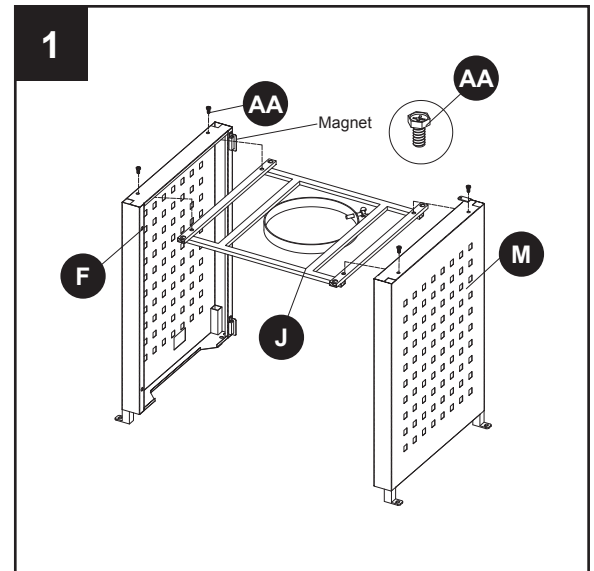
Two people required for safe assembly. Some parts may contain sharp edges. Wear protective gloves if necessary. Read and follow all safety statements, warnings, assembly instructions and use and care instructions before attempting to assemble and use.

ASSEMBLY INSTRUCTIONS

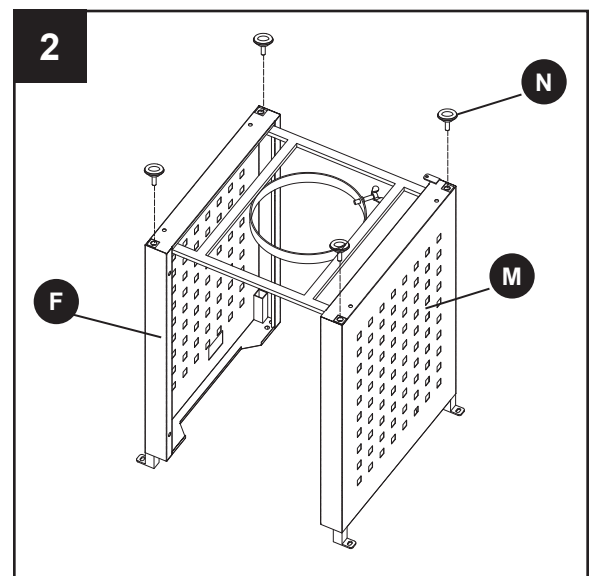
1. Attach the bottom plate (J) to the left and right side panels (F and M) with four M6X12 bolts (AA) as shown on figure 1. Make sure the center ring on the bottom plate (J) is positioned closer to the magnet side of left side panel (F). Tighten with Phillips screwdriver (EE). The configuration as pictured is upside down. Keep the unit in this position.

Hardware Used

- AA** Bolt M6 X 12 X 4
- EE** Phillips screwdriver



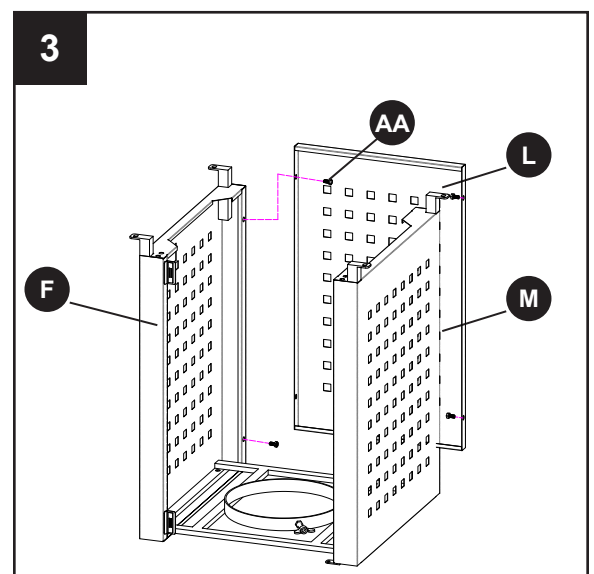
2. Screw the four feet (N) into the bottom of the left and right side panels (F and M) as shown on figure 2.



3. Turn the unit upright. Attach the back panel (L) to the left and right side panels (F, M) with four M6X12 bolts (AA) as shown on figure 3. Tighten with Phillips screwdriver (EE).

Hardware Used




- AA** Bolt M6 X 12 X 4
- EE** Phillips screwdriver

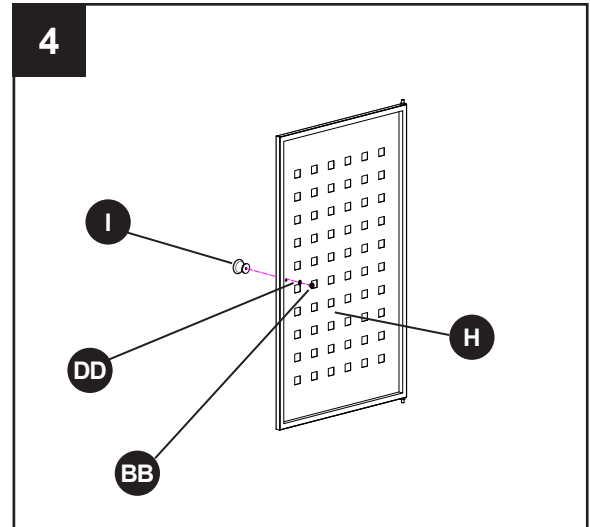


ASSEMBLY INSTRUCTIONS

4. Attach the knob (I) to the door (H) with one M4X6 screw (BB) and one washer $\varnothing 4$ (DD). Tighten with screwdriver (EE).



Hardware Used

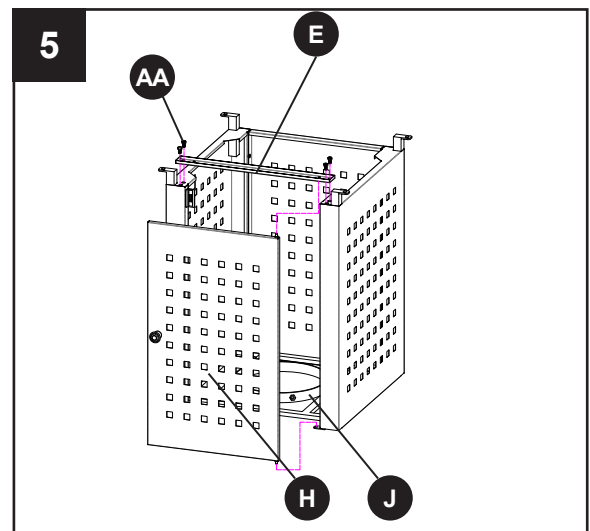
BB	Screw M4 X 6		X 1
DD	Washer $\varnothing 4$		X 1
EE	Phillips screwdriver		



5. Insert the bottom spindle of the door (H) into the hole on the bottom plate (J). Hold the door in place and put the door bracket (E) on top, as pictured in figure 5. Attach the door bracket (E) to the left and right side panels (F and M) with four M6 x 12 bolts (AA). Tighten with screwdriver (EE).



Hardware Used

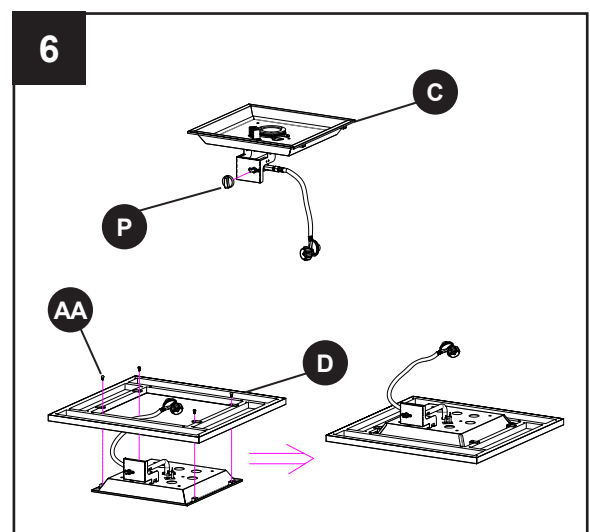
AA	Bolt M6 X 12		X 4
EE	Phillips screwdriver		



6. Remove the control knob (P) from the burner assembly (C) and put it aside. Lay the burner assembly (C) upside down on a soft surface, such as a carpet or blanket to avoid scratching. Turn the table (D) upside down and rest it on top of the upside down burner assembly (C). Line up the holes on the table (D) with the screw holes on the burner assembly (C). Attach with four M6X12 bolts (AA) as shown in figure 6. Tighten with screwdriver (EE).

Hardware Used

AA	Bolt M6 X 12		X 4
EE	Phillips screwdriver		




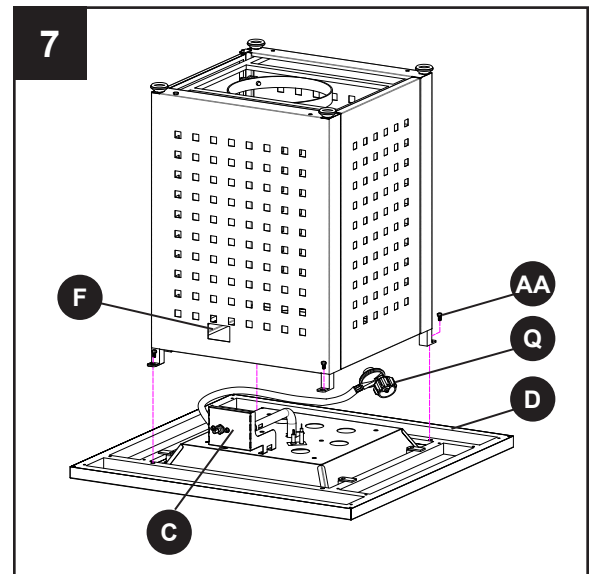
ASSEMBLY INSTRUCTIONS

7. Turn the base assembly upside down. Insert the valve stem on the burner assembly (C) into the square hole on the left side panel (F). The regulator assembly (Q) must remain inside the base assembly during installation. DO NOT let the base assembly press into the regulator assembly (Q) during installation. Attach the base assembly to the table (D) with four M6X12 bolts (AA) as shown in figure 7. Tighten with screwdriver (EE)

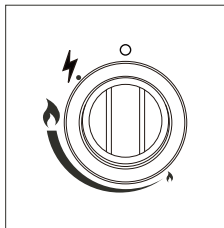
Hardware Used

AA Bolt M6 X 12  X 4

EE Phillips screwdriver 




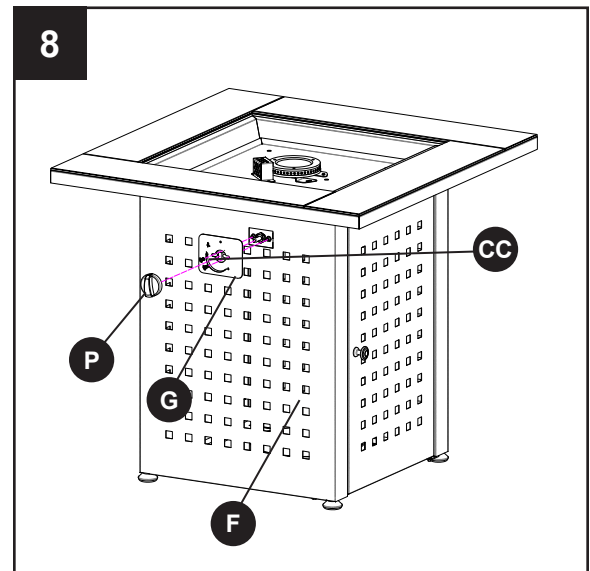
8. Attach the control panel (G) to the left side panel (F) with two M5X8 screws (CC). Tighten with screwdriver (EE). Then attach the control knob (P) to the control panel (G) as shown in figure 8. Turn the control knob (P) to the "OFF" (o) position as illustrated below.



Hardware Used

CC Screw M5X8  X 2

EE Phillips screwdriver 



ASSEMBLY INSTRUCTIONS

9. Pour one pack of the glass rocks (K) over the burner. Do not cover ignition screen with glass rocks (K). Use a glove when handling glass rocks.

WARNING

DO NOT COVER THE IGNITION SCREEN when placing the glass rocks into the fire bowl. Always keep Ignition Screen visible. This screen must be clear and free of obstructions at all times to insure proper operation.



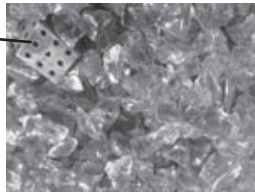
CORRECT



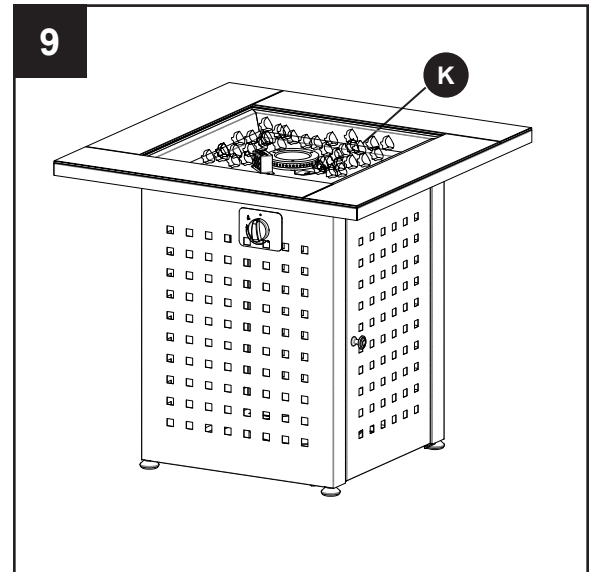
INCORRECT

Screen

Do not place glass rocks on screen. Keep screen clear.



The burner of the firebowl must be covered by glass rocks completely. Otherwise the flame may be extinguished occasionally. See the Figure CORRECT and INCORRECT for reference.



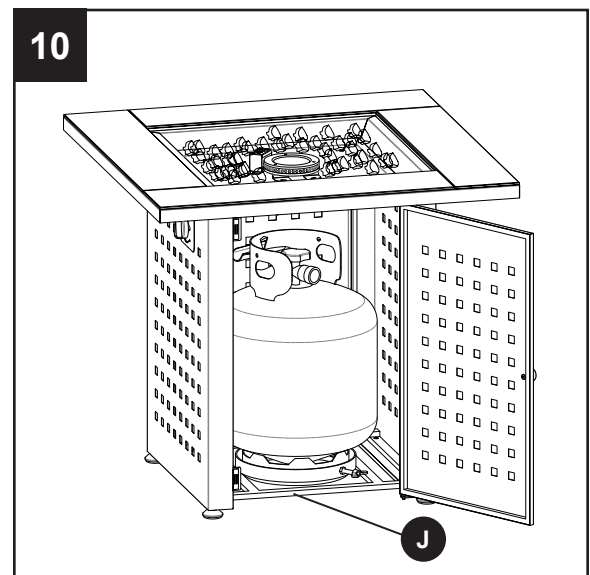
CAUTION

GLASS ROCKS

Use a glove when handling glass rocks.

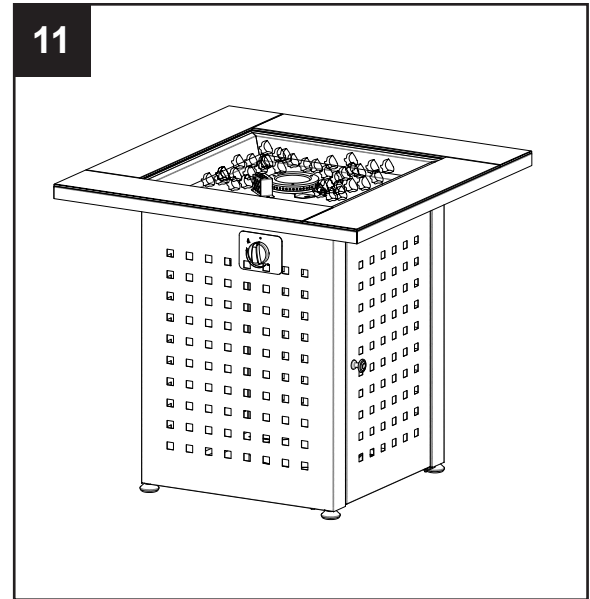
1. Do not light or use gas unit if glass rocks are wet. Make sure glass rocks are completely dry before lighting as intense heat could cause the rock to crack.
2. Glass rocks could hit a person's face or eyes during the initial startup of this unit. Keep away from the appliance for the first 20 minutes after lighting.

10. Put the gas cylinder inside the unit on the bottom plate (J).



ASSEMBLY INSTRUCTIONS

11. Total fire pit installation is complete.



ATTENTION: THIS PRODUCT IS NOT FOR COMMERCIAL USE. INTENDED FOR RESIDENTIAL USE ONLY.

Use a glove when handling glass rocks.

Do not sit or stand on this table.

Keep children away during assembly. This item contains small parts which can be swallowed by children.

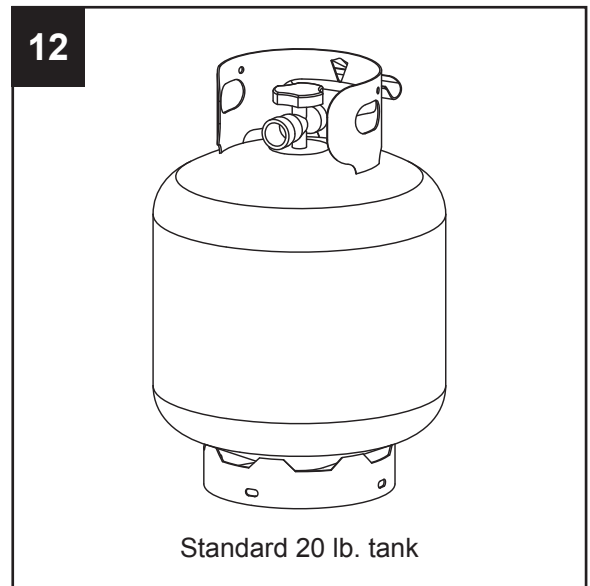
Do not use indoors and inside any enclosure.

Retain the assembly instruction for future reference.

Installer — Please leave these instructions with the owner.

12. Use only 20-pound cylinders (approximately 18 1/4 inches high and 12 1/4 inches in diameter) equipped with a cylinder connection device compatible with the connection for the hose regulator supplied with this appliance. Propane gas and cylinder are sold separately.

A dented, rusted or damaged propane cylinder may be hazardous and should be checked by your cylinder supplier. Never use a propane cylinder with a damaged valve connection.



ASSEMBLY INSTRUCTIONS

The propane cylinder must be constructed and marked in accordance with the specifications for LP gas cylinders of the U.S. Department of Transportation (DOT) or the standard for cylinders, spheres and tubes for transportation of dangerous goods and commission, CAN/CSA-B339.

The cylinder must have a listed overfilling prevention device.

The cylinder must have a connection device compatible with the connection for the appliance.

Never connect an unregulated propane cylinder to this appliance.

The cylinder must include a collar to protect the cylinder valve. The gas cylinder should not be dropped or handled roughly.

The LP-gas supply cylinder must be disconnected when this appliance is not in use. Storage of an appliance indoors is permissible ONLY if the cylinder is disconnected and removed from the appliance. Cylinders must be stored outdoors out of the reach of children and must not be stored in a building, garage or any other enclosed area. Your cylinder must never be stored where temperatures can reach over 125°F / 51.5°C.

ASSEMBLY INSTRUCTIONS

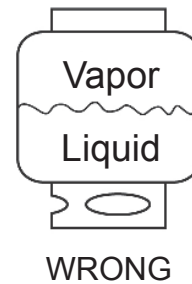
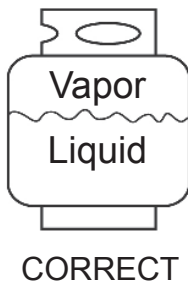
The maximum inlet gas supply pressure: 250 psi /1750 kPa.

Place a dust cap on cylinder valve outlet whenever the cylinder is not in use. Only install the type of dust cap on the cylinder valve outlet that is provided with the cylinder valve. Other types of caps or plugs may result in leakage of propane.

DO NOT obstruct the flow of combustion air and ventilation air to the fire pit.

The propane cylinder must be arranged for vapor withdrawal and equipped with a listed overfilling prevention device. Please use the proper cylinder orientation to provide vapor withdrawal.

NOTE: The cylinder must be fully upright for the cylinder to have vapor withdrawal only.

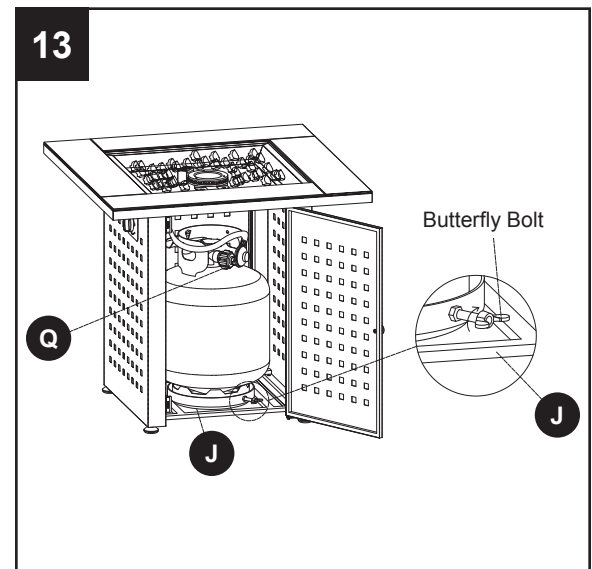


⚠ CAUTION

- Do not store a spare LP-gas cylinder under or near this appliance.
- Never fill the cylinder beyond 80 percent full.
- If the information in (a) and (b) is not followed exactly, a fire causing death or serious injury may occur.

The pressure regulator and hose assembly supplied with the appliance must be used. The installation must conform with local codes, or in the absence of local codes, with national fuel gas code, ANSI A223.1/NFPA54, natural gas and propane Installation Code, CSA B149.1, or propane storage and handling code, B149.2.

- Before connection, be sure that there is no debris caught in the outlet of the gas cylinder, inlet of the regulator valve or in the outlet of the burner and burner ports. Ensure the propane cylinder valve is turned off. Then connect the gas cylinder with the regulator (Q) as shown in figure 13. Fix the gas cylinder in place by tightening the butterfly bolt.





OPERATION INSTRUCTIONS

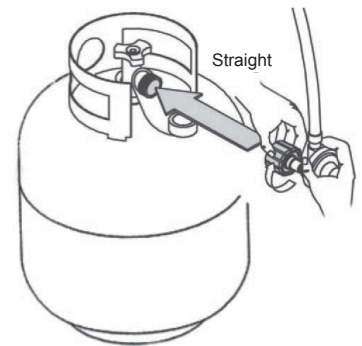
Before connection, be sure that there is no debris caught in the outlet of the gas cylinder, inlet of the regulator valve or in the outlet of the burner and burner ports. Keep the propane cylinder valve closed and disconnect the propane cylinder from the regulator valve when the fire pit is not in use.



⚠ WARNING

ALL INSTRUCTIONS AND SAFEGUARDS ON THIS PAGE MUST BE FOLLOWED TO PREVENT FIRE, DAMAGE AND/OR INJURY.

CONNECTING THE LP TANK

1. The knob on the LP tank must be closed. Make sure that the knob is turned  clockwise to a full stop. The cylinder supply system must be arranged for vapor withdrawal.
2. Check that the control knob on the control unit is turned off.
3. Remove the protective cap from the LP tank valve and coupling nut.
4. Hold the regulator in one hand and insert the nipple into the valve outlet. Be sure the nipple is centered in the valve outlet. The coupling nut connects to the large outside threads on the valve outlet. Use care – do not cross thread the connection.
5. Hand-tighten the coupling nut  clockwise until it comes to a full stop. Firmly tighten by hand only. Do not use tools.



To Disconnect: Fully close the tank valve by turning  clockwise. Turn the coupling nut  counterclockwise until the regulator assembly detaches.

⚠ WARNING

In the connection process, make sure:

- the regulator inlet connector mates with the cylinder valve outlet properly, safely and firmly, and;
- the LP gas hose does not come in contact or remain in contact with the burner assembly.

CHECKING FOR LEAKS

After all connections are made, check all connections and fittings on the LP gas tank valve, gas hose and regulator for leaks with a water and soap solution.

To prevent fire or explosion while testing for a leak:

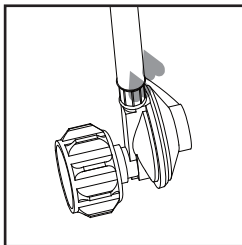
- Always perform a leak test prior to lighting the fire pit.
- Do not smoke while testing for a leak.
- Always perform leak tests outdoors in a well-ventilated area.
- Do not use any source of flame while testing for leaks.
- Do not use the fire pit until any and all leaks are corrected.
- If you are unable to correct a leak, disconnect the propane supply and call a gas appliance service dealer.

OPERATION INSTRUCTIONS

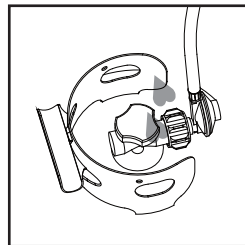
LEAK CHECK

⚠ WARNING

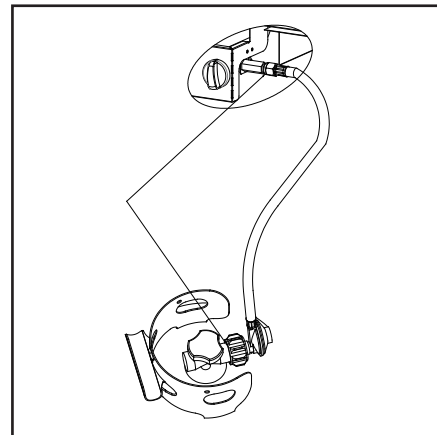
- Perform all leak tests outdoors.
- Extinguish all open flames.
- NEVER leak test when smoking.
- Do not use the fire pit until all connections have been leak tested and do not leak.



Hose/Regulator
connection



Regulator/Cylinder
connection



1. Make 2-3 oz. of leak check solution (one part liquid dishwashing detergent and three parts water).
2. Put leak solution in a spray bottle.
3. Make sure cylinder valve and control valve are OFF.
4. Apply several drops of solution where hose attaches to regulator.
5. Apply several drops of solution where regulator connects to cylinder.
6. Turn cylinder valve ON.

If bubbles appear at any connection, there is a leak.

1. Turn cylinder valve OFF.
2. If leak is at hose/regulator connection: tighten connection and perform another leak test. If bubbles continue appearing, the hose should be returned to the place of purchase.
3. If leak is at regulator/cylinder valve connection: disconnect, reconnect, and perform another leak check. If you continue to see bubbles after several attempts, cylinder valve is defective and should be returned to cylinder's place of purchase.

If NO bubbles appear at any connection, the connections are secure.

Note: Whenever gas connections are loosened or removed, you must perform a complete leak test.

Complete installation.

⚠ DANGER

NEVER USE A LIGHTER/FLAME TO CHECK FOR GAS LEAKS.

OPERATION INSTRUCTIONS

Note: Other cylinders may be acceptable for use with this appliance provided they have the same profile and dimensions to be compatible with the appliance nesting hole and retention means.

Caution: Do not attempt to operate until you have read and understand all General Safety Information in this manual and all assembly is complete and leak checks have been performed.

Before Turning Gas Supply ON:

1. Your fire pit was designed and approved for outdoor use only. Do NOT use it inside a building, garage, or any other enclosed area.
2. Make sure surrounding areas are free of combustible materials, gasoline, and other flammable vapors or liquids.
3. Ensure that there is no obstruction to air ventilation. Be sure all gas connections are tight and there are no leaks.
4. Be sure the cylinder cover is clear of debris. Be sure any component removed during assembly or servicing is replaced and fastened prior to starting.

WARNING

Lighting operations should comply with Lighting Instructions section. Improper lighting operations will cause serious injury and explosion.

Before Lighting:

1. Fire pit should be thoroughly inspected before each use, and by a qualified service person at least annually. If relighting a hot fire pit, always wait at least 5 minutes.
2. Inspect the hose assembly for evidence of excessive abrasion, cuts, or wear. Suspected areas should be leak tested. If the hose leaks, it must be replaced prior to operation. Only use the replacement hose assembly specified by manufacturer.

Lighting:

1. Turn the control knob to the “OFF” (○) position (Figure A).
2. Fully open LP cylinder valve.
3. Push in gas control knob and turn counterclockwise to “IGNITER” (⚡) (Figure B) to light the fire pit.
If needed, keep depressing and turning control knob counterclockwise until the fire pit lights (You should hear a clicking sound).
4. After fire pit lights, release control knob. Push in and turn the control knob to the “HIGH” (🔥) (Figure C), then release control knob. If you want a lower temperature, push in the control knob and turn counterclockwise to the “LOW” (↖).

Note: If burner fails to remain lit, all valves should be closed and a waiting period of at least 5 minutes should pass before attempting to light.

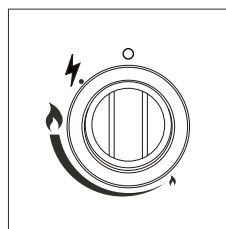


Figure A

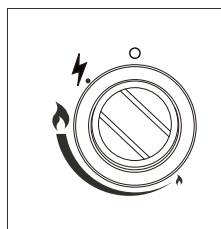


Figure B

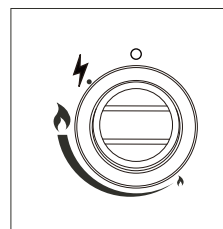


Figure C

⚠ WARNING

FOR YOUR SAFETY

Be careful when attempting to manually ignite this fire pit. Holding in the control knob for more than 10 seconds before igniting the gas will cause a ball of flame upon ignition.

When fire pit is ON:

Burner will display tongues of blue and yellow flame. These flames should not be yellow or produce thick black smoke, indicating an obstruction of airflow through the burners. The flame should be blue with straight yellow tops. If excessive yellow flame is detected, turn off propane tank and fire pit and consult “Care and Maintenance” on page 23.

When fire pit is ON, the normal flame from High to Low is similar to below (Figure D).

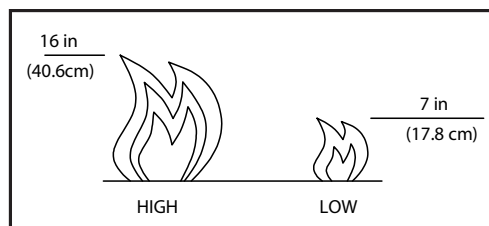


Figure D

Re-lighting:

1. Turn control knob to OFF (○).
2. Repeat the “Lighting” steps on prior page.
3. When relighting a hot fire pit, always wait at least 5 minutes.

⚠ WARNING

FOR YOUR SAFETY

Fire pit will be hot after use. Handle with extreme care.

Turning off the burner:

Push the control knob and turn to the “OFF” (○) position.

Disconnecting the propane cylinder:

1. Make sure the control knob is in the OFF (○) position and wait 45 minutes until the appliance is cool.
2. Turn off cylinder valve, then disconnect the hose regulator from the cylinder.
3. Store the cylinder in a proper location.

OPERATION INSTRUCTIONS

Operation Checklist

For a safe and pleasurable heating experience, perform this check before each use.

Before Operating:

1. I am familiar with entire owner's manual and understand all precautions noted.
2. All components are properly assembled, intact and operable.
3. No alterations have been made.
4. All gas connections are secure and do not leak.
5. Wind velocity is below 10 mph / 16 km/h.
6. Unit will operate at reduced efficiency below 40°F / 4°C.
7. Fire pit is outdoors (outside any enclosure).
8. There is adequate fresh air ventilation.
9. Fire pit is away from gasoline or other flammable liquids or vapors.
10. Fire pit is away from windows, air intake openings, sprinklers and other water sources.
11. Fire pit is at least 24 inches/60.96 cm from sides and 60 inches/152.4 cm below combustible materials.
12. Fire pit is on a hard and level surface.
13. There are no signs of spider or insect nests.
14. All burner passages are clear.
15. All air circulation passages are clear.
- 16. Children and adults should be alerted to the hazards of high surface temperatures and should stay away to avoid burns or clothing ignition.**
- 17. Young children should be carefully supervised when they are in the area of the fire pit.**
- 18. Clothing or other protective material should not be hung from the fire pit, or placed on or near the fire pit.**
- 19. Any guard or other protective device removed for servicing the fire pit must be replaced prior to operating the fire pit.**
- 20. Installation and repair should be done by a qualified service person. The fire pit should be inspected before use and at least annually by a qualified service person.**
- 21. More frequent cleaning may be required as necessary. It is imperative that control compartment, burner and circulating air passageways of the fire pit be kept clean.**

After Operation:

1. Gas control valve is in OFF (○) position.
2. Gas Tank valve is OFF.
3. Disconnect hose regulator from propane cylinder.

⚠ WARNING

FOR YOUR SAFETY

- Do NOT touch or move fire pit for at least 45 minutes after use.

To enjoy years of outstanding performance from your fire pit, make sure you perform the following maintenance activities on a regular basis:

Keep exterior surfaces clean.

1. Use warm soapy water for cleaning. Never use flammable or corrosive cleaning agents.
2. While cleaning your fire pit, be sure to keep the area around the burner dry at all times. Do not submerge the control valve assembly. If the gas control is submerged in water, do NOT use it. It must be replaced.
 - a. Keep the appliance area clear and free from combustible materials, gasoline and other flammable vapors and liquids.
 - b. Do not obstruct the flow of combustion and ventilation air.
 - c. Keep the ventilation opening(s) of the cylinder enclosure free and clear from debris.
3. Air flow must be unobstructed. Keep controls, burner, and circulating air passageways clean. Signs of possible blockage include:
 - Gas odor with extreme yellow tipping of flame.
 - Fire pit does NOT reach the desired temperature.
 - Fire pit glow is excessively uneven.
 - Fire pit makes popping noises.
 - Spiders and insects can nest in burner or orifices. This dangerous condition can damage fire pit and render it unsafe for use. Clean burner holes by using a heavy-duty pipe cleaner. Compressed air may help clear away smaller particles.
 - Carbon deposits may create a fire hazard. Clean dome and ignition screen with warm soapy water if any carbon deposits develop.
4. Inspect the burner at intervals recommended by the manufacturer. The burner must be replaced prior to the appliance being put into operation if it is evident that the burner is damaged. Only use the replacement burner that is specified by the manufacturer.



Note: In a salt-air environment (such as near an ocean), corrosion occurs more quickly than normal. Frequently check for corroded areas and repair them promptly.

TIP:

Use high-quality automobile wax to help maintain the appearance of your fire pit.

CARE AND MAINTENANCE

Storage

Between uses:

- Turn control valve and cylinder valve off.
- Disconnect the hose regulator from propane cylinder.
- Store fire pit upright in an area sheltered from direct contact with inclement weather (such as rain, sleet, hail, snow, dust and debris).
- If desired, cover fire pit to protect exterior surfaces and to help prevent build-up in air passages.

Note: *Wait until fire pit is cool before covering.*

During periods of extended inactivity or when transporting:

- Turn control valve and cylinder valve off.
- Disconnect the hose regulator and move propane cylinder to a secure, well-ventilated location outdoors.
- Store fire pit upright in an area sheltered from direct contact with inclement weather (such as rain, sleet, hail, snow, dust and debris).
- If desired, cover fire pit to protect exterior surfaces and to help prevent build-up in air passages. Never leave LP cylinder exposed to direct sunlight or excessive heat.

Note: *Wait until fire pit is cool before covering.*

Service

Only a qualified service person should repair gas passages and associated components.

Caution: *Always allow fire pit to cool before attempting service.*

Caution: *Never place a cover on the fire pit when in use. Ensure the fire pit has cooled before place a cover over the fire pit.*

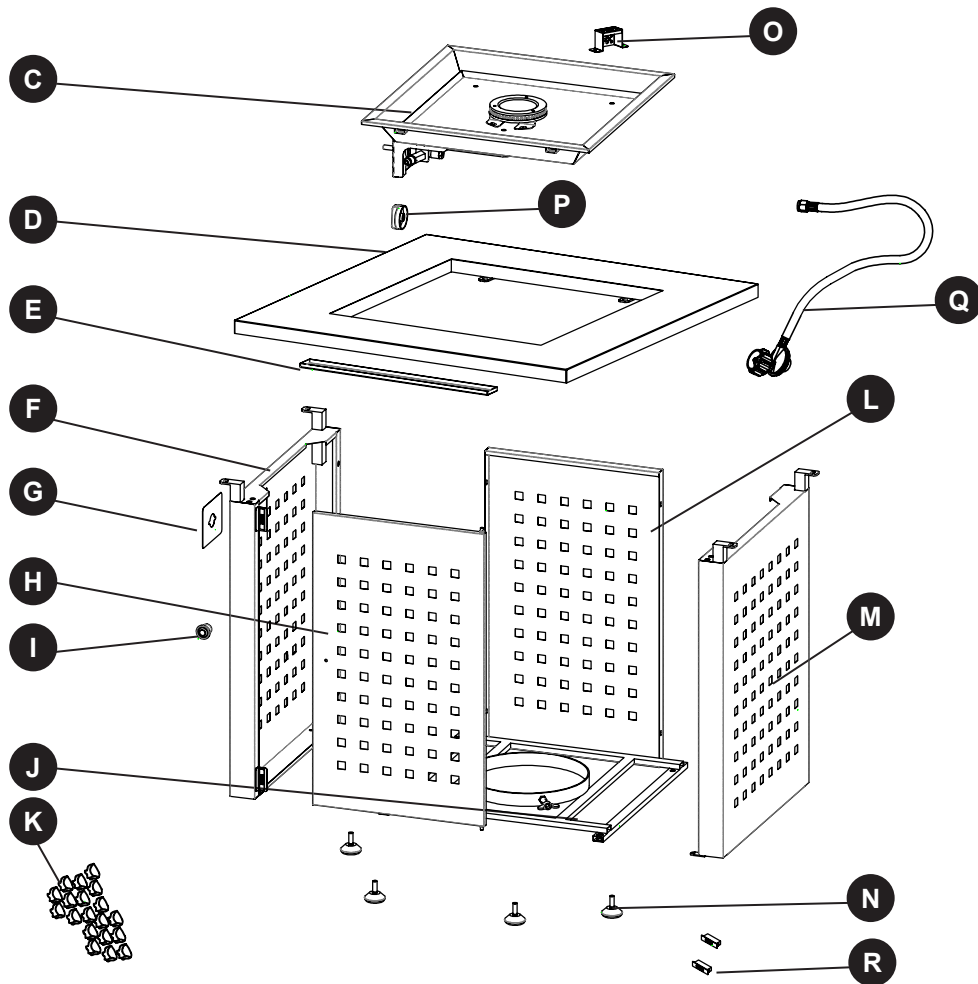
ONE YEAR LIMITED WARRANTY

If within one year from the date of original purchase, this item fails due to a defect in material or workmanship, we will replace or repair at our option, free of charge. To order parts or to obtain warranty service, call 1-877-447-4768, 8:30AM – 4:30PM, CST, Monday – Friday. This warranty does not cover defects resulting from improper or abnormal use, misuse, accident, or alteration. Failure to follow all instructions in the owner's manual will also void this warranty. The manufacturer will not be liable for incidental or consequential damages, or common erosion of outdoor products. Some states do not allow the exclusion or limitation of incidental or consequential damages, so the above limitation may not apply to you. This warranty gives you specific legal rights, and you may also have other rights which vary from state to state.

TROUBLESHOOTING

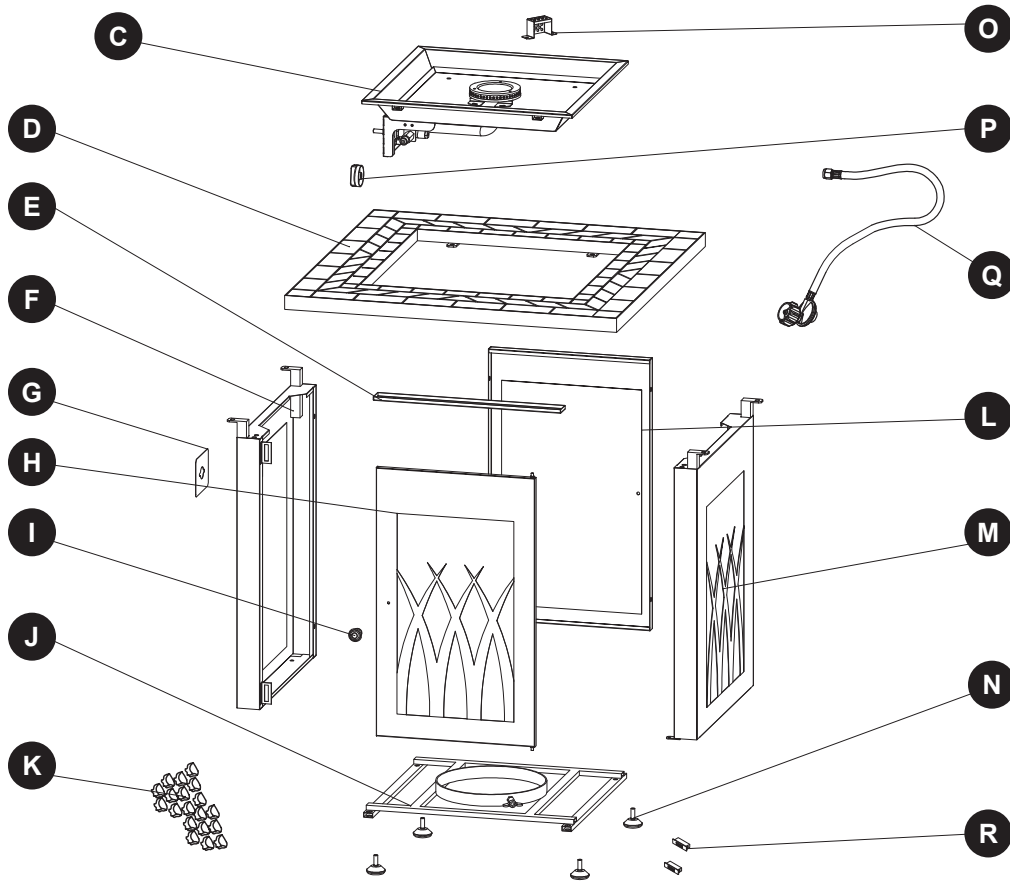
PROBLEM	POSSIBLE CAUSE	CORRECTIVE ACTION
Burner won't light	Propane cylinder is frosted over	Wait until the propane cylinder warms up and becomes unfrosted
	Blockage in orifice	Clear blockage
	Control knob is not in ON position	Turn control knob to ON
Burner flame is low	Gas pressure is low	Turn cylinder valve OFF and replace cylinder
	Outdoor temperature is less than 40°F / 4°C and tank is less than 1/4 full	Use a full cylinder
	Control knob fully ON	Check burner and orifices for blockage
Carbon build-up	Dirt or film on ignition screen	Clean ignition screen
Thick black smoke	Blockage in burner	Remove blockage and clean burner inside and outside

REPLACEMENT PARTS LIST FOR OFG012T



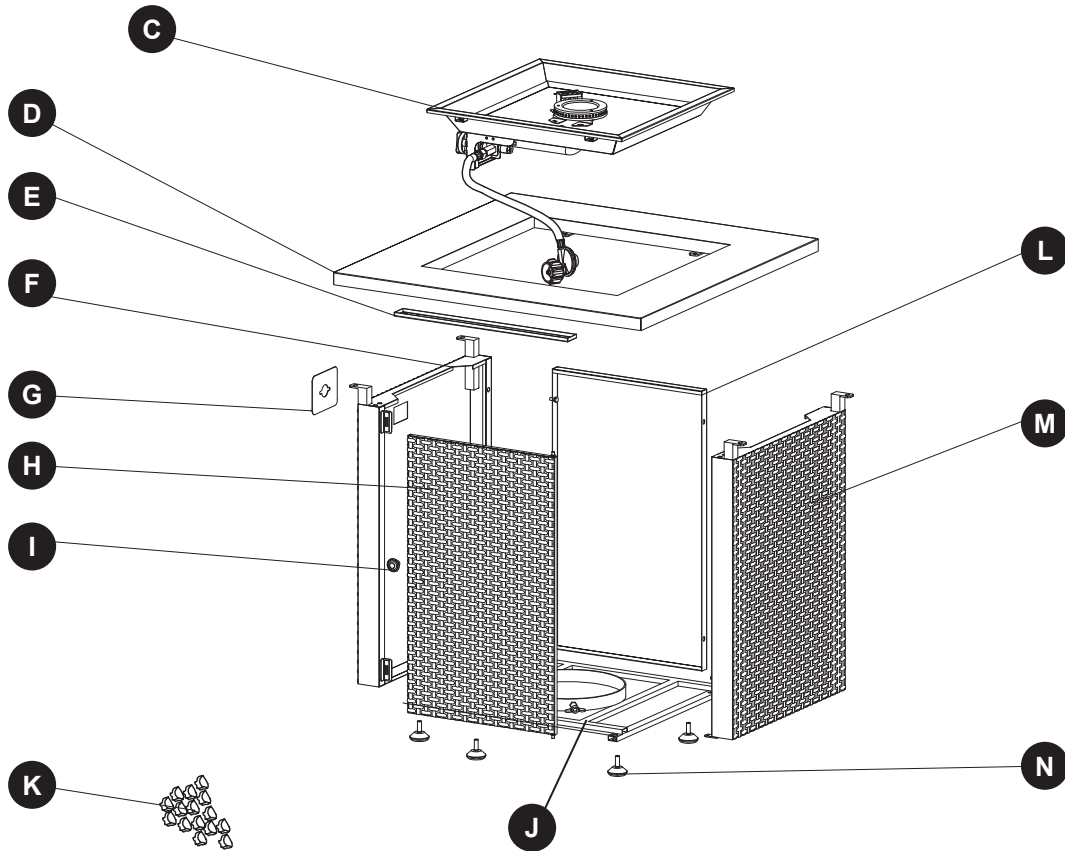
PART	DESCRIPTION	QTY.	PART #
C	Burner Assembly	1	30-06-400
D	Glass Table	1	30-06-401
E	Door Bracket	1	30-06-402
F	Left Side Panel	1	30-06-403
G	Control Panel	1	30-06-404
H	Door	1	30-06-405
I	Knob	1	30-06-414
J	Bottom Plate	1	30-06-406
K	Blue Glass Rocks (One Pack)	1	30-06-407
L	Back Panel	1	30-06-408
M	Right Side Panel	1	30-06-409
N	Foot	4	30-06-410
O	Screen	1	30-06-411
P	Control Knob	1	30-06-328
Q	Regulator Assembly	1	30-06-412
R	Magnets	2	30-06-413
HWP	Hardware Pack	1	30-09-517
N/A	Instruction Manual	1	30-10-106

REPLACEMENT PARTS LIST FOR OFG824T

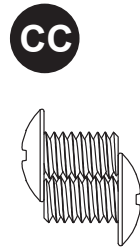
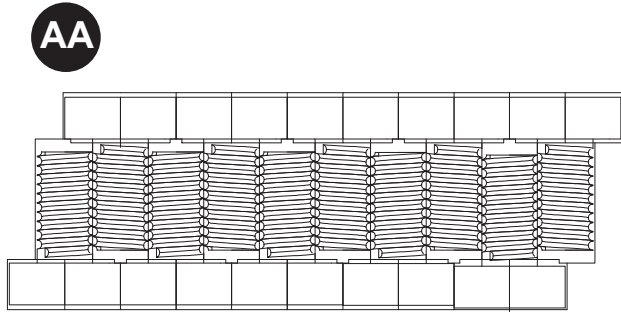
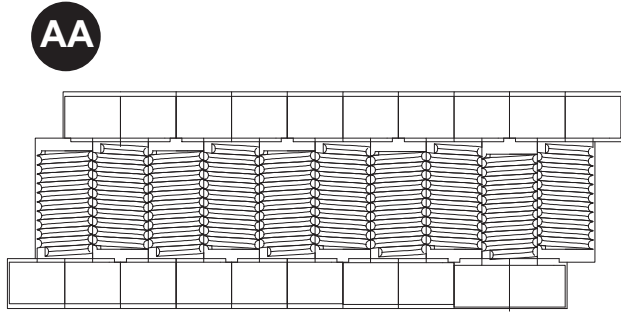


PART	DESCRIPTION	QTY.	PART #
C	Burner Assembly	1	30-06-400
D	Table	1	30-06-452
E	Door Bracket	1	30-06-416
F	Left Side Panel	1	30-06-417
G	Control Panel	1	30-06-404
H	Door	1	30-06-418
I	Knob	1	30-01-056
J	Bottom Plate	1	30-06-406
K	Amber Glass Rocks (One Pack)	1	30-06-419
L	Back Panel	1	30-06-420
M	Right Side Panel	1	30-06-421
N	Foot	4	30-06-410
O	Screen	1	30-06-411
P	Control Knob	1	30-06-328
Q	Regulator Assembly	1	30-06-412
R	Magnets	2	30-06-413
HWP	Hardware Pack	1	30-09-517
N/A	Instruction Manual	1	30-10-106

REPLACEMENT PARTS LIST FOR OFG007TF



PART	DESCRIPTION	QTY.	PART #
C	Burner Assembly	1	30-06-483
D	Table	1	30-06-484
E	Door Bracket	1	30-06-485
F	Left Side Panel	1	30-06-486
G	Control Panel	1	30-06-404
H	Door	1	30-06-487
I	Knob	1	30-01-056
J	Bottom Plate	1	30-06-406
K	Amber Glass Rocks (One Pack)	1	30-06-419
L	Back Panel	1	30-06-488
M	Right Side Panel	1	30-06-489
N	Foot	4	30-06-410
O	Screen	1	30-06-411
P	Control Knob	1	30-06-328
Q	Regulator Assembly	1	30-06-412
R	Magnets	2	30-06-413
AA - DD	Hardware Pack	1	30-09-517
N/A	Instruction Manual	1	30-10-106



GHP Group, Inc.
6440 W. Howard St.
Niles, IL 60714-3302
877-447-4768

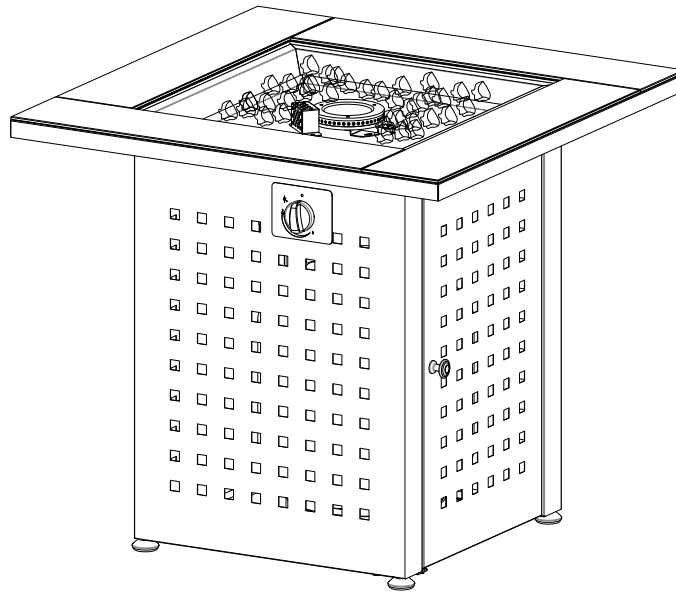


BRASERO DE PROPANO AL AIRE LIBRE

MODELO N.º OFG012T / OFG824T / OFG007TF

English p. 1

Français p. 59



C US

ANSI Z21.97-2014 • CSA 2.41-2014
Outdoor Decorative Gas Appliance

* Los tanques de propano se venden por separado.

** El artículo puede tener un aspecto ligeramente diferente dependiendo del número de modelo comprado.

INSTRUCCIONES IMPORTANTES

POR FAVOR LEA ESTE MANUAL ANTES DE INSTALAR Y UTILIZAR ESTE ELECTRODOMÉSTICO

⚠ ADVERTENCIA

SI NO SE SIGUEN EXACTAMENTE LAS INSTRUCCIONES EN ESTE MANUAL PUEDE PRODUCIRSE ELECTROCUTAMIENTO O INCENDIO OCASIONANDO DAÑO EN LA PROPIEDAD, LESIONES PERSONALES O MUERTE.

INSTALADOR: Deje este manual con el consumidor.
CONSUMIDOR: Guarde este manual para futura referencia.

ADJUNTE AQUÍ SU RECIBO

Número de serie _____ Fecha de compra _____



¿Preguntas, problemas, piezas faltantes? Antes de hacer una devolución a la tienda, llame a nuestro Departamento de Atención al Cliente al 1-877-447-4768 de lunes a viernes de 8:30 a. m. a 4:30 p. m., hora central estándar, o escribanos a customerservice@ghpgroupinc.com.

CONTENIDO

Información de seguridad.....	33
Contenido del embalaje.....	36
Preparación	39
Instrucciones de ensamblaje.....	40
Instrucciones de uso.....	47
Cuidado y mantenimiento.....	52
Garantía.....	53
Solución de problemas.....	54
Lista de piezas de repuesto.....	55

⚠ ADVERTENCIA: Para uso en exteriores únicamente.

⚠ PELIGRO:

Si huele a gas:

1. Apague el gas del electrodoméstico.
2. Apague cualquier llama abierta.
3. Si el olor continua, manténgase alejado del electrodoméstico y llame inmediatamente a su proveedor de gas o a los bomberos.

⚠ ADVERTENCIA:

No almacene ni use gasolina u otros vapores o líquidos inflamables en los alrededores de este u otro electrodoméstico.

Ningún tanque de gas propano que no esté conectado para su uso debe almacenarse en los alrededores de este u otro electrodoméstico.

⚠ ADVERTENCIA: Instalación incorrecta, ajuste, modificación, servicio o mantenimiento pueden ocasionar lesiones o daño a la propiedad. Consulte el manual de información para el usuario suministrado con este electrodoméstico. Para asistencia o información adicional consulte a un instalador cualificado, agencia de servicio o al proveedor de gas.

⚠ PELIGRO



PELIGRO DE MONÓXIDO DE CARBONO

Este electrodoméstico puede producir monóxido de carbono, el cual no tiene olor.

Su utilización en un espacio cerrado puede ocasionarle la muerte.

Nunca utilice este electrodoméstico en un espacio cerrado tal como una caravana, carpa, auto o casa.

ETIQUETA DEL TANQUE DE GAS PROPANO

⚠ PELIGRO • GAS INFLAMABLE BAJO PRESIÓN.
UNA FUGA DE GAS PUEDE PRODUCIR UN INCENDIO O EXPLOSIÓN DURANTE EL ENCENDIDO OCASIONANDO SERIAS LESIONES CORPORALES O LA MUERTE.
CONTACTE A SU PROVEEDOR DE GAS PARA REPARACIONES O PARA DESECHAR ESTE TANQUE U OTRO GAS QUE NO SE HAYA UTILIZADO.

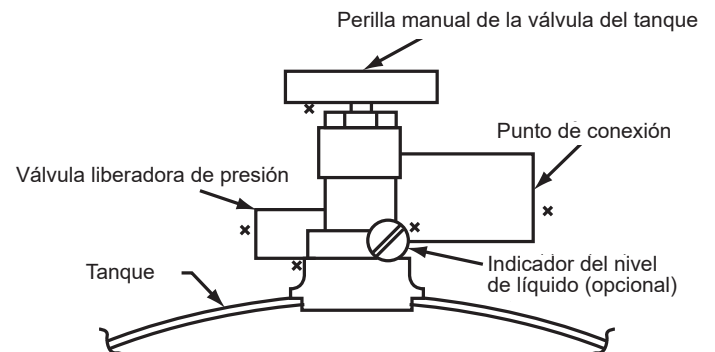
⚠ ADVERTENCIA • PARA USO AL AIRE LIBRE ÚNICAMENTE*.
NO UTILICE O ALMACENE EL TANQUE EN UN EDIFICIO, GARAJE O ÁREA CERRADA.

⚠ ADVERTENCIA:

- Reconozca el olor de gas propano. Si escucha, ve o huele a fuga de gas propano, aparte inmediatamente a todos del tanque y llame a los bomberos. No intente hacer reparaciones.
- Alerta a su proveedor de gas propano de:
 - Asegurarse de que se purgue el aire atrapado en el tanque antes del primer llenado.
 - Asegurarse de no llenar el tanque demasiado.
 - Asegurarse de que la fecha de recalificación del tanque sea verificada.
- El gas propano es más pesado que el aire y puede asentarse en lugares bajos mientras se está disipando.
- El contacto con el contenido líquido del tanque puede causar quemaduras en la piel por congelamiento.
- No permita que niños manipulen o jueguen con el tanque.
- Cuando el tanque no esté conectado para su uso, mantenga la válvula del tanque apagada. Los electrodomésticos autocontenidos se limitarán a tanques de 30 libras de capacidad o menos.
- No utilice, almacene ni transporte tanques en lugares donde estarían expuestos a altas temperaturas. La válvula de escape puede abrirse dejando escapar grandes cantidades de gas inflamable.
- Durante su transporte, mantenga el tanque asegurado en posición vertical con la válvula apagada.

AL CONECTAR PARA SU USO:

- Utilice solamente en conformidad con los códigos aplicables.
- Lea y siga las instrucciones del fabricante.
- Consulte las instrucciones del fabricante en lo referente a la conexión del tanque suministrada con su electrodoméstico.
- Asegúrese de que el respiradero del regulador no está apuntando hacia arriba.
- Apague todas las válvulas del electrodoméstico.
- No inspeccione fugas de gas con un fósforo o llama abierta. Aplique agua jabonosa en las áreas marcadas con una "X". Abra la válvula del tanque. Si aparece una burbuja, cierre la válvula y haga que personal del proveedor de gas propano haga las reparaciones necesarias. También revise las válvulas y conexiones del electrodoméstico para asegurarse de que no hay fuga de gas antes de encender el electrodoméstico.
- Encienda el(los) electrodoméstico(s) siguiendo las instrucciones del fabricante.
- Cuando el electrodoméstico no esté en uso, mantenga la válvula del tanque cerrada.



NO quite, estropee ni destruya esta etiqueta.

***SALVO QUE SEA AUTORIZADO POR ANSI/NFPA 58.**

⚠ PELIGRO. No almacene un tanque de gas propano de repuesto debajo o cerca de una parrilla para barbacoa o alguna otra fuente de calor. **JAMÁS** rellene un tanque de gas propano por encima del 80% de su capacidad: puede producirse un incendio ocasionando la muerte o lesiones serias.

INFORMACIÓN DE SEGURIDAD

Lea y comprenda este manual por completo antes de intentar ensamblar, poner en funcionamiento o instalar el producto. Si tiene alguna pregunta acerca de este producto, por favor llame a nuestro Departamento de Atención al Cliente al 1-877-447-4768 de lunes a viernes de 8:30 a.m. a 4:30 p.m., hora central estándar.

PELIGRO

- Si no se siguen los consejos sobre riesgos, advertencias y precauciones contenidos en este manual del propietario, pueden producirse lesiones corporales graves o la muerte, o un incendio o explosión que ocasionen daño a la propiedad.

ADVERTENCIA

- Presión máxima de entrada de suministro de gas: 250 psi (1750 kPa). Presión del colector con regulador suministrado: 11 pulgadas C.A./2,74 kPa.
- Este electrodoméstico debe ser utilizado solo al aire libre en un espacio bien ventilado y no debe ser utilizado dentro de un edificio, garaje ni ninguna otra área cerrada.
- NO utilice este electrodoméstico para cocinar.
- La instalación de este producto debe realizarse de conformidad con los códigos locales o, en ausencia de códigos locales, con el Código Nacional de Gas Combustible ANSIZ223.1/NFPA 54 o el CAN/CGA-B149.1 del Código de Instalación de Gas Natural y Propano.
- No utilice este electrodoméstico si alguna pieza se ha sumergido en agua. Llame inmediatamente a un técnico de servicio cualificado para inspeccionar el electrodoméstico y reemplazar cualquier pieza del sistema de control y cualquier controlador de gas que haya estado en el agua.
- No almacene un tanque de propano de repuesto o desconectado debajo ni cerca de este electrodoméstico.
- No ponga en funcionamiento el electrodoméstico de propano si hay alguna fuga de gas.
- Nunca utilice una llama para revisar si hay fugas de gas.
- Deje un espacio libre entre materiales combustibles y los laterales de su electrodoméstico de propano de al menos 24 pulgadas (60.96 cm) y de al menos 60 pulgadas (152.4 cm) con el tope. Coloque la unidad solamente sobre superficies no combustibles.
- No coloque ninguna cubierta de otro electrodoméstico ni algo inflamable por encima o debajo del electrodoméstico.
- **El electrodoméstico de propano nunca debe ser utilizado por niños. Los niños pequeños deben ser supervisados cuidadosamente cuando estén en el área del electrodoméstico.**
- **Tanto niños como adultos deben ser advertidos de los peligros de las superficies a altas temperaturas y mantener una distancia de seguridad para evitar quemaduras e ignición de sus prendas de vestir.**
- Si el fuego se apaga mientras el electrodoméstico está encendido, cierre la válvula de gas. Siga las instrucciones y espere cinco minutos antes de intentar encenderlo de nuevo.
- Nunca utilice madera ni ningún otro combustible sólido en el electrodoméstico. No deben quemarse combustibles sólidos en este brasero a gas.
- **Nunca cuelgue ni coloque ropa ni ningún otro material inflamable sobre el electrodoméstico o cerca de este.**
- Nunca se apoye sobre el electrodoméstico en funcionamiento ni coloque las manos o los dedos en la parte superior de la unidad operativa.
- Mantenga las aberturas de ventilación en el recinto del tanque despejadas y libres de suciedad.
- No modifique el electrodoméstico.
- La conversión o intento de utilizar gas natural en una unidad de propano o propano en una de gas natural es peligroso.
- Solo se pueden utilizar tanques marcados con la leyenda PROPANO. NO conectar a un suministro de gas remoto.
- No utilice este electrodoméstico en vehículos ni embarcaciones. Siempre ponga el electrodoméstico en funcionamiento sobre una superficie plana o nivelada.

INFORMACIÓN DE SEGURIDAD

ADVERTENCIA

- Mantenga cualquier cable de suministro eléctrico y manguera de suministro de combustible apartados de cualquier superficie caliente.
- Mantenga su electrodoméstico despejado y libre de materiales combustibles, gasolina y otros vapores o líquidos inflamables.
- Inspeccione visualmente si hay obstrucciones en el quemador. Mantenga el recinto del tanque despejado y libre de suciedad.
- No utilice este electrodoméstico a menos que todas las piezas estén en su lugar.
- **Cualquier protección u otro dispositivo de protección que se haya removido para el servicio de mantenimiento de este electrodoméstico debe volverse a colocar antes de ponerlo en funcionamiento.**
- El conjunto de la manguera debe reemplazarse antes de poner en funcionamiento el electrodoméstico si hay evidencia de abrasión o desgaste excesivos, o si la manguera está dañada. El conjunto de la manguera de repuesto será especificado por el fabricante.
- **La instalación y la reparación deben ser realizadas por personal técnico cualificado. El electrodoméstico debe ser inspeccionado antes de su utilización y al menos una vez al año por personal técnico cualificado. Posiblemente se requiera una limpieza más frecuente, según el caso. Es indispensable que el compartimiento de control, los quemadores y los pasajes de circulación de aire del electrodoméstico se mantengan limpios.**
- El tanque para el suministro de gas propano que se vaya a utilizar debe estar fabricado y marcado de acuerdo con las especificaciones para los tanques de gas propano del Departamento de Transporte de los Estados Unidos (D.O.T.) o las normas nacionales de Canadá CAN/CSA-B339, Tanques, esferas y tubos para el transporte de mercancías peligrosas, y la puesta en servicio, según corresponda, y provisto de un dispositivo de protección contra sobrellenado registrado.
- Utilice solamente tanques de 20 libras (aproximadamente 18 ¼" de alto y 12 ¼" de diámetro) equipados con un dispositivo de conexión compatible con la conexión para el regulador de la manguera suministrado con este electrodoméstico. El tanque debe incluir un collarín para proteger su válvula. ¡El tanque de gas no debe dejarse caer ni manipularse bruscamente!
- Los tanques deben almacenarse al aire libre en áreas bien ventiladas fuera del alcance de los niños.
- Desconecte el tanque cuando el electrodoméstico no esté siendo utilizado.
- Los tanques desconectados deben tener las tapas de las válvulas bien apretadas y no deben ser almacenados dentro de edificios ni áreas cerradas.
- No utilice este electrodoméstico debajo de sombrillas, toldos, etc.
- Utilice este electrodoméstico solamente sobre superficies estables.
- No lo ponga en funcionamiento con una cubierta de vinilo o PVC colocada.
- Deje que la unidad se enfríe antes de colocar una cubierta de vinilo o PVC sobre ella.
- No se sienta sobre la unidad.
- Nunca utilice carbón o líquidos combustibles en el brasero.
- No utilice gasolina, kerosén ni alcohol para encenderlo.
- Nunca deje un tanque de gas propano lleno en un auto caliente ni en el maletero de un auto. El calor hará que aumente la presión del gas, lo cual puede abrir la válvula de escape y dejar que se escape el gas.
- No se apoye sobre el brasero cuando lo esté encendiendo. Lea las instrucciones antes de encenderlo.
- Si la llama se apaga accidentalmente durante el encendido o durante el funcionamiento, CIERRE inmediatamente la válvula del tanque y luego CIERRE la perilla de control.

! ADVERTENCIA

PARA UNIDADES DE GAS PROPANO

- El regulador de presión de gas suministrado con el electrodoméstico de propano debe ser utilizado.
- El regulador de presión de repuesto debe ser del tipo especificado por el fabricante.
- No intente desconectar el tanque de gas ni las conexiones de gas mientras su electrodoméstico esté en funcionamiento.
- Un tanque de propano abollado u oxidado puede ser peligroso y debe ser revisado por su proveedor de gas antes de su uso.
- No utilice un tanque de propano con una válvula dañada o piezas desgastadas.
- Transporte y almacene los tanques de propano vacíos cuidadosa y correctamente.
- Si ve, huele o escucha el silbido de una fuga de gas de un tanque de propano:
 1. Desconecte el tanque de gas propano.
 2. No intente corregir el problema usted mismo.
 3. Acuda a su proveedor de gas y/o departamento de bomberos para obtener ayuda.

! ADVERTENCIA

SOBRE LA PROPOSICIÓN 65 DE CALIFORNIA

Los combustibles utilizados en electrodomésticos de gas propano líquido, así como los productos de la combustión de tales combustibles, pueden exponerlo a sustancias químicas como el benceno, que según el estado de California, pueden provocar cáncer, anomalías congénitas u otros daños reproductivos.

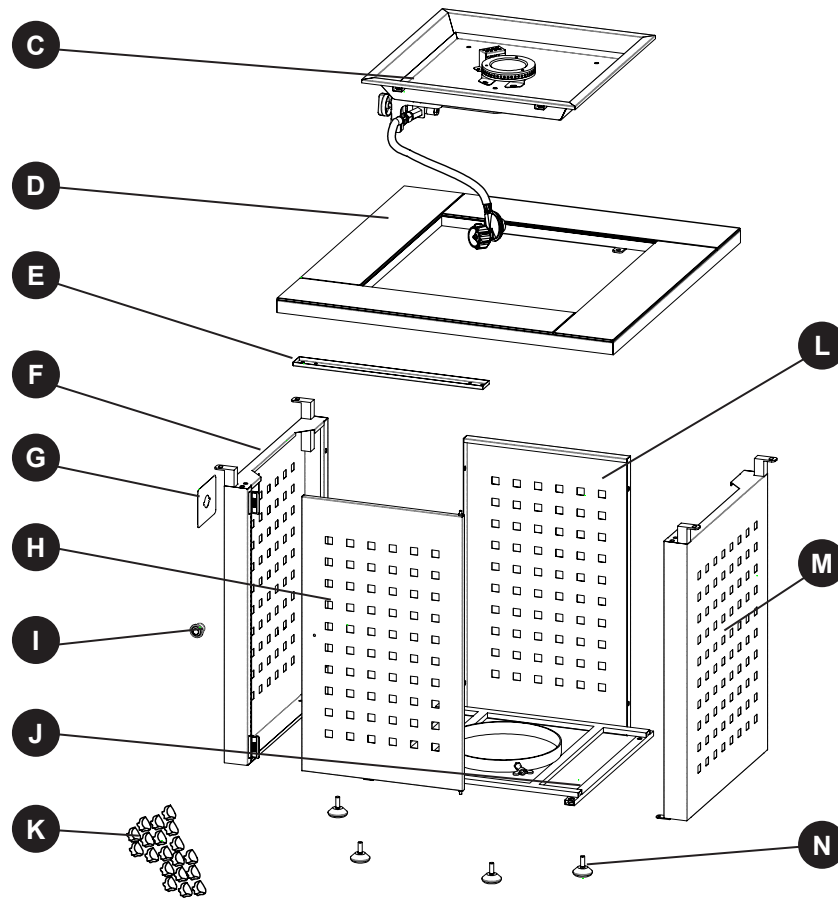
Para obtener más información, visite: www.P65Warnings.ca.gov

! PRECAUCIÓN

PIEDRAS DE VIDRIO

1. No encienda ni utilice la unidad a gas si las piedras de vidrio están mojadas. Asegúrese de que las piedras de vidrio estén completamente secas antes de encender la unidad, ya que el calor intenso podría hacerlas quebrar.
2. Las piedras de vidrio podrían golpear a alguien en la cara o los ojos durante el arranque inicial de esta unidad. Manténgase alejado del electrodoméstico durante los primeros 20 minutos después de haberlo encendido.

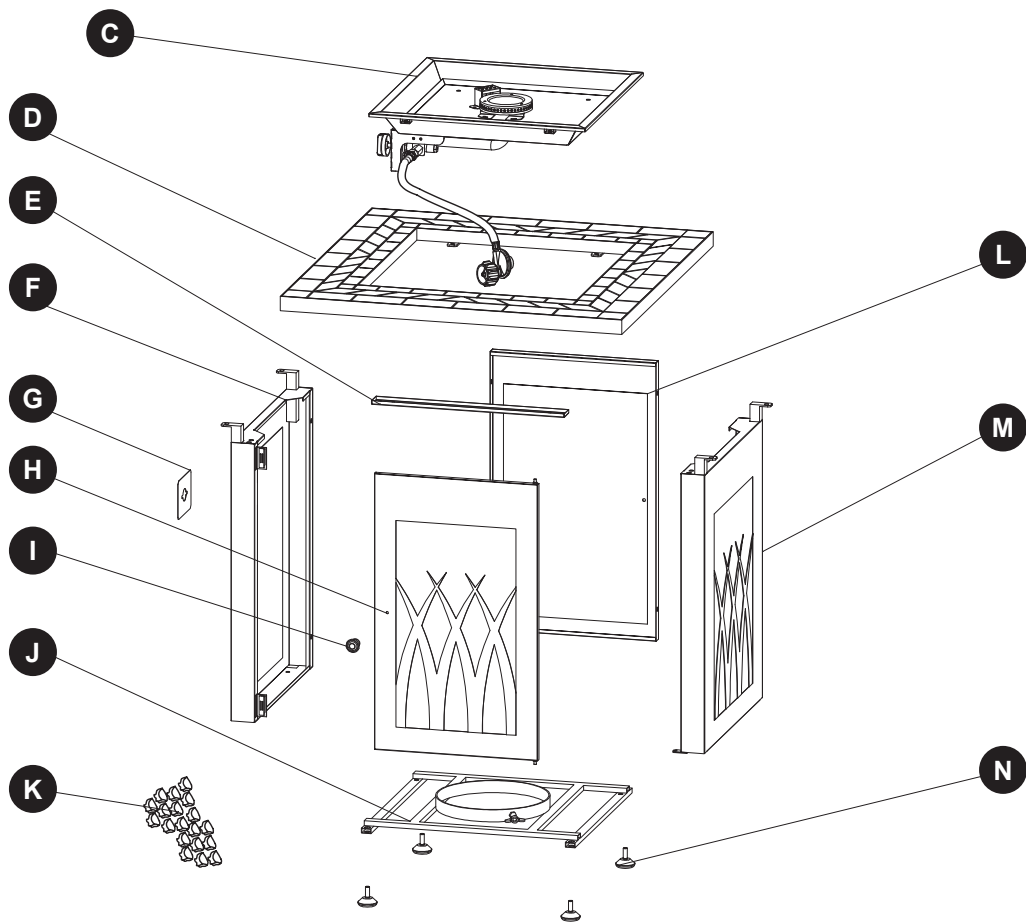
CONTENIDO DEL EMBALAJE DE OFG012T



PIEZA	DESCRIPCIÓN	CANT.
C	Conjunto del quemador	1
D	Mesa de vidrio	1
E	Soporte de la puerta	1
F	Panel lateral izquierdo	1
G	Panel de control	1
H	Puerta	1

PIEZA	DESCRIPCIÓN	CANT.
I	Perilla	1
J	Placa inferior	1
K	Piedras de vidrio (un paquete)	1
L	Panel trasero	1
M	Panel lateral derecho	1
N	Pie	4

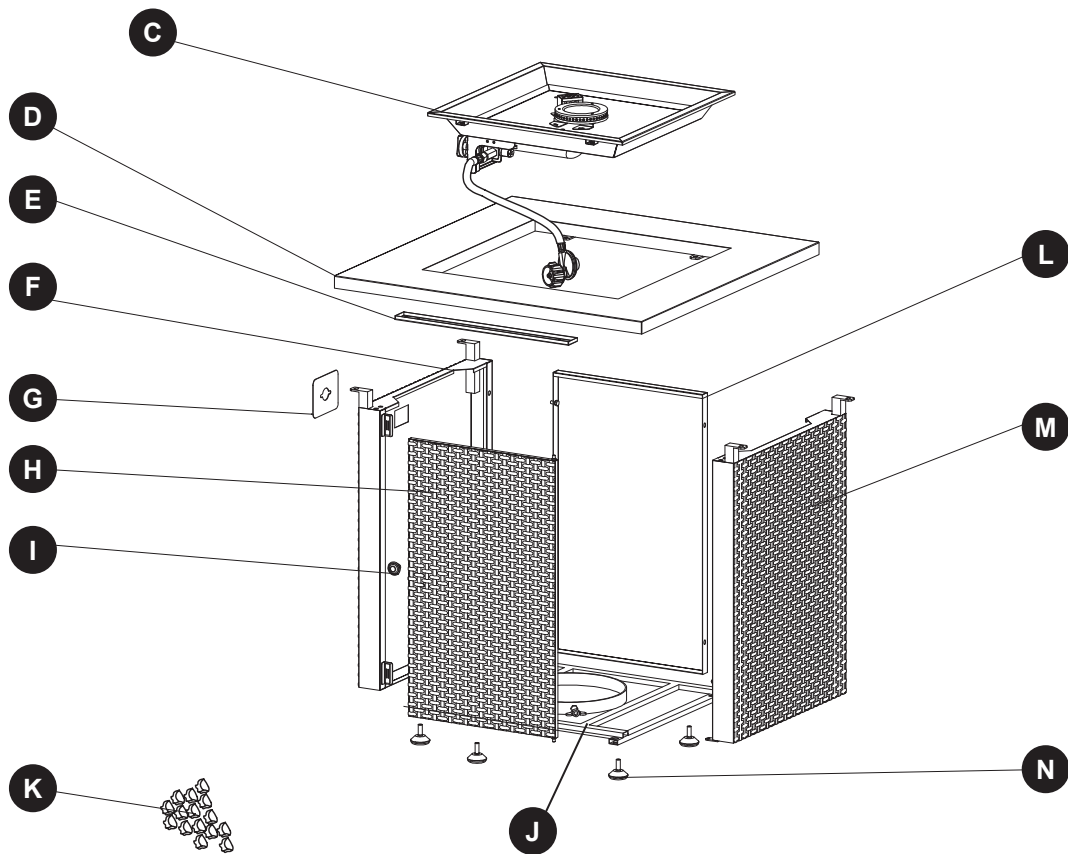
CONTENIDO DEL EMBALAJE DE OFG824T



PIEZA	DESCRIPCIÓN	CANT.
C	Conjunto del quemador	1
D	Mesa	1
E	Soporte de la puerta	1
F	Panel lateral izquierdo	1
G	Panel de control	1
H	Puerta	1

PIEZA	DESCRIPCIÓN	CANT.
I	Perilla	1
J	Placa inferior	1
K	Piedras de vidrio (un paquete)	1
L	Panel trasero	1
M	Panel lateral derecho	1
N	Pie	4

CONTENIDO DEL EMBALAJE DE OFG007TF

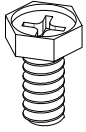


PIEZA	DESCRIPCIÓN	CANT.
C	Conjunto del quemador	1
D	Mesa	1
E	Soporte de la puerta	1
F	Panel lateral izquierdo	1
G	Panel de control	1
H	Puerta	1

PIEZA	DESCRIPCIÓN	CANT.
I	Perilla	1
J	Placa inferior	1
K	Piedras de vidrio (un paquete)	1
L	Panel trasero	1
M	Panel lateral derecho	1
N	Pie	4

TORNILLERÍA Y HERRAMIENTAS UTILIZADAS

AA



Perno
M6 × 12
Cant. 20

BB



Tornillo
M4 × 6
Cant. 1

CC



Tornillo
M5 × 8
Cant. 2

DD



Arandela
ø4
Cant. 1

EE



Destornillador
Phillips
Cant. 1

PREPARACIÓN

Antes de comenzar el ensamblaje de este producto, asegúrese de que estén todas las piezas. Compare las piezas con la lista de contenido del embalaje y el contenido de tornillería y herramientas de arriba. Si falta alguna pieza o está dañada, no intente ensamblar el producto. Comuníquese con el servicio de atención al cliente para solicitar piezas de repuesto.

Tiempo estimado de ensamblaje: 45 minutos

Herramientas necesarias para el ensamblaje (no incluidas):
Solución para detección de fugas.

⚠ PRECAUCIÓN

ESTA UNIDAD ES PESADA. Se necesitan dos personas para realizar un ensamblaje seguro.


Se necesitan dos personas para realizar un ensamblaje seguro. Algunas piezas pueden tener bordes afilados. Utilice guantes de protección si es necesario. Lea y siga todas las recomendaciones de seguridad, advertencias, instrucciones de ensamblaje e instrucciones de uso y cuidado antes de intentar ensamblar y usar la unidad.

INSTRUCCIONES DE ENSAMBLAJE

1. Fije la placa inferior (J) a los paneles laterales izquierdo y derecho (F y M) con cuatro pernos M6 × 12 (AA), como se muestra en la figura 1. Asegúrese de que el anillo central de la placa inferior (J) esté ubicado más cerca del lado del imán del panel lateral izquierdo (F). Ajuste con el destornillador Phillips (EE). La disposición que se muestra está boca abajo. Mantenga la unidad en esta posición.

Herramientas y tornillería utilizadas


AA Perno M6 × 12  × 4

EE Destornillador Phillips 

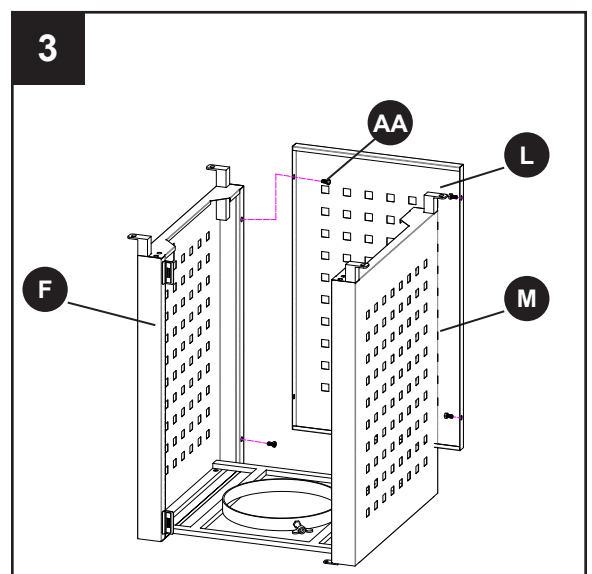
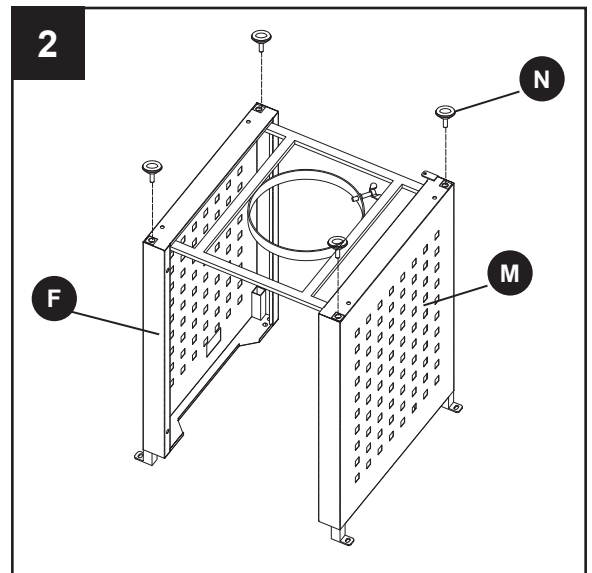
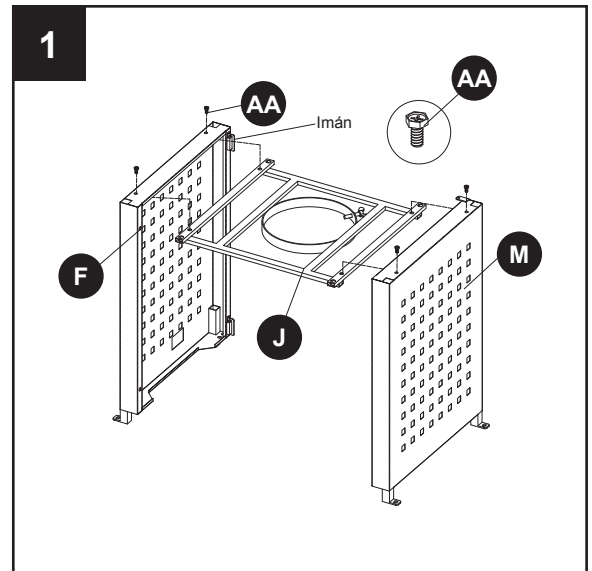
2. Atornille los cuatro pies (N) en la parte inferior de los paneles laterales izquierdo y derecho (F y M) como se muestra en la figura 2.

3. Coloque la unidad en posición vertical. Fije el panel trasero (L) a los paneles laterales izquierdo y derecho (F, M) con cuatro pernos M6 × 12 (AA), como se muestra en la figura 3. Ajuste con el destornillador Phillips (EE).

Herramientas y tornillería utilizadas

AA Perno M6 × 12  × 4




EE Destornillador Phillips 

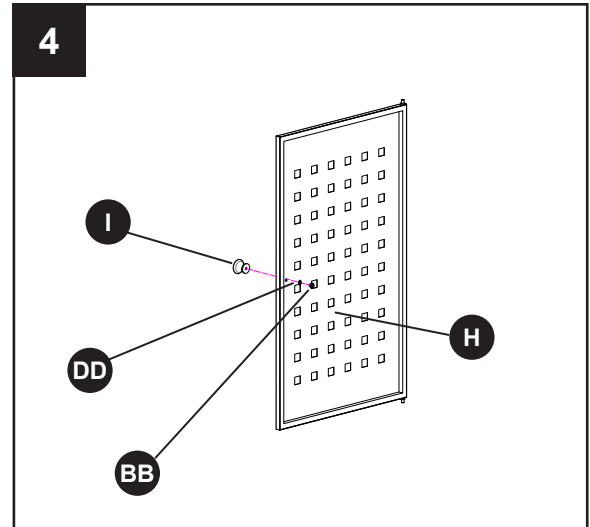


INSTRUCCIONES DE ENSAMBLAJE

4. Atornille la perilla (I) a la puerta (H) con un tornillo M4 × 6 (BB) y una arandela ø4 (DD). Ajústelos con el destornillador (EE).



Herramientas y tornillería utilizadas

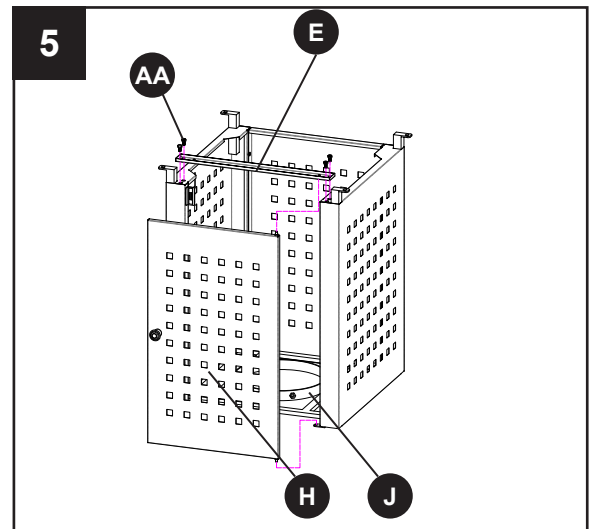
- BB** Tornillo M4 × 6  × 1
- DD** Arandela ø4  × 1
- EE** Destornillador Phillips 



5. Inserte la parte inferior del eje de la puerta (H) en el orificio de la placa inferior (J). Sostenga la puerta en el lugar y coloque el soporte de la puerta (E) en la parte superior, como se muestra en la figura 5. Fije el soporte de la puerta (E) a los paneles laterales izquierdo y derecho (F y M) con cuatro pernos M6 × 12 (AA). Ajústelos con el destornillador (EE).



Herramientas y tornillería utilizadas

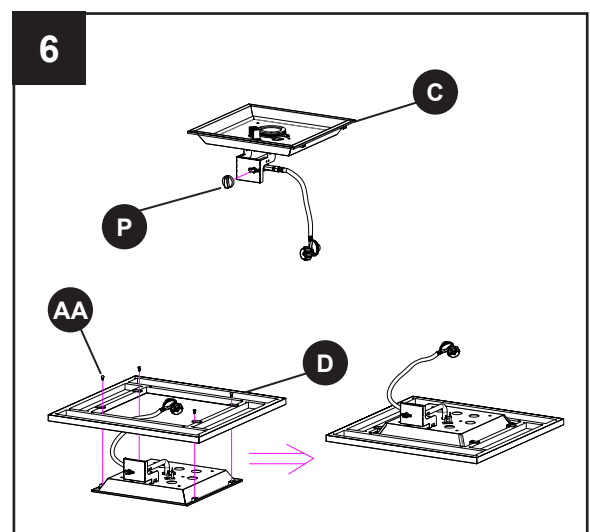
- AA** Perno M6 × 12  × 4
- EE** Destornillador Phillips 



6. Extraiga la perilla de control (P) del conjunto del quemador (C) y déjela a un lado. Coloque el conjunto del quemador (C) en posición invertida sobre una superficie suave, como una manta o una alfombra, para evitar que se raye. Coloque la mesa (D) en posición invertida y apóyela encima del conjunto del quemador (C) que está boca abajo. Alinee los agujeros para de la mesa (D) con los agujeros tornillos del conjunto del quemador (C). Fijelos con cuatro pernos M6 × 12 (AA) como se muestra en la figura 6. Ajústelos con el destornillador (EE).

Herramientas y tornillería utilizadas

- AA** Perno M6 × 12  × 4
- EE** Destornillador Phillips 



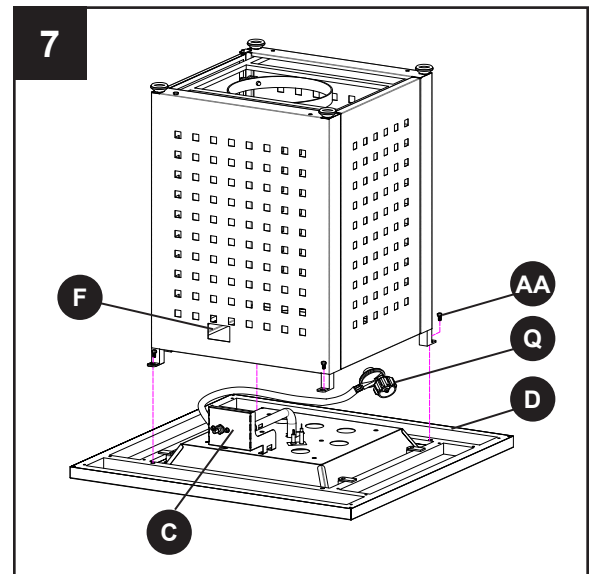
INSTRUCCIONES DE ENSAMBLAJE

7. Coloque el conjunto de la base en posición invertida. Inserte el vástago de la válvula del conjunto del quemador (C) en el agujero cuadrado del panel lateral izquierdo (F). Durante la instalación, el conjunto del regulador (Q) debe permanecer dentro del conjunto de la base. NO permita que el conjunto de la base presione el conjunto del regulador (Q) durante la instalación. Fije el conjunto de la base a la mesa (D) con cuatro pernos M6 × 12 (AA) como se muestra en la figura 7. Ajústelos con el destornillador (EE).

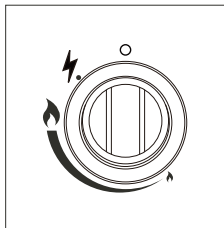
Herramientas y tornillería utilizadas

AA Perno M6 × 12  × 4

EE Destornillador Phillips 




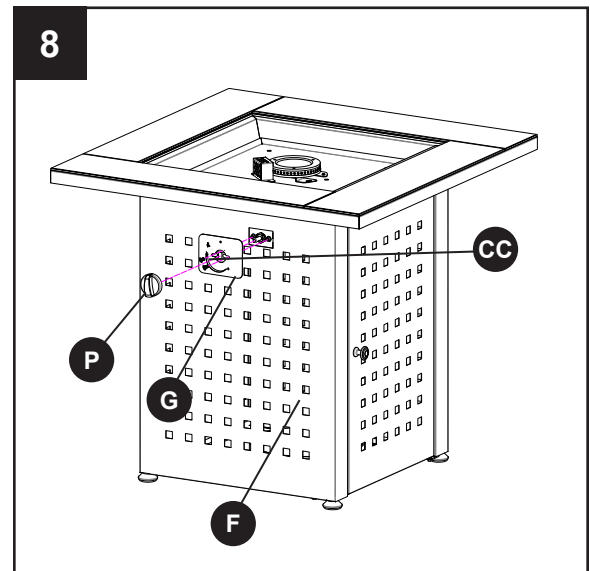
8. Fije el panel de control (G) al panel lateral izquierdo (F) con dos tornillos M5 × 8 (CC). Ajústelos con el destornillador (EE). Luego, fije la perilla de control (P) al panel de control (G) como se muestra en la figura 8. Gire la perilla de control (P) a la posición de “APAGADO” (o), como se muestra abajo.



Herramientas y tornillería utilizadas

CC Tornillo M5 × 8  × 2

EE Destornillador Phillips 



INSTRUCCIONES DE ENSAMBLAJE

9. Vierta un paquete de las piedras de vidrio (K) sobre el quemador. No cubra la pantalla de ignición con las piedras de vidrio (K). Utilice guantes cuando manipule las piedras de vidrio.

⚠ ADVERTENCIA

NO CUBRA LA PANTALLA DE IGNICIÓN cuando coloque las piedras de vidrio dentro de la cesta de brasas. Siempre mantenga la pantalla de ignición visible. Esta pantalla debe estar despejada y libre de obstrucciones para asegurar un funcionamiento correcto.

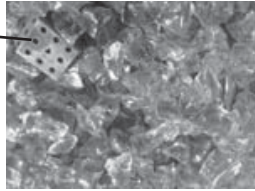


CORRECTO

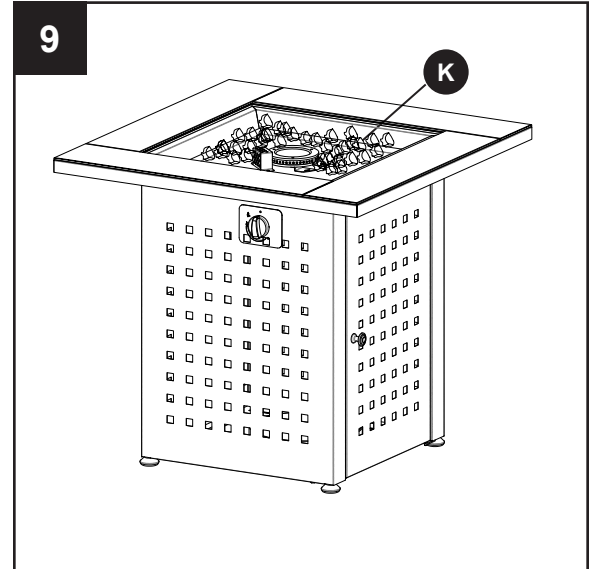


INCORRECTO

Pantalla



No coloque piedras de vidrio sobre la pantalla. Mantenga la pantalla despejada.



El quemador de la cesta de brasas debe estar completamente cubierto de piedras de vidrio. De lo contrario, la llama puede apagarse a veces. Como referencia, mire las figuras CORRECTO e INCORRECTO.

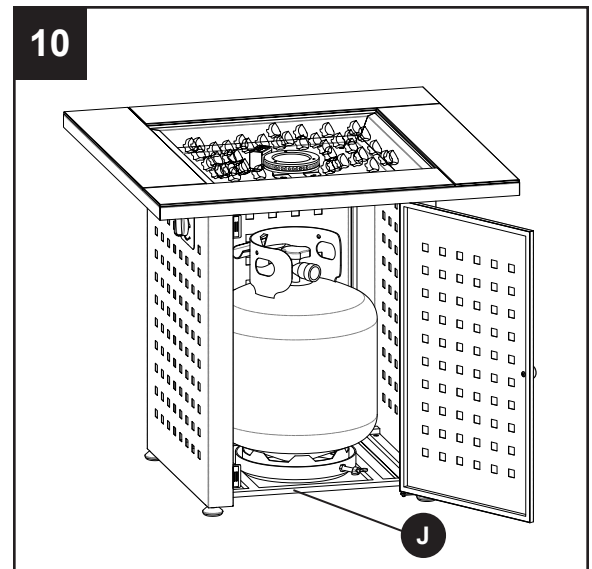
⚠ PRECAUCIÓN

PIEDRAS DE VIDRIO

Utilice guantes cuando manipule las piedras de vidrio.

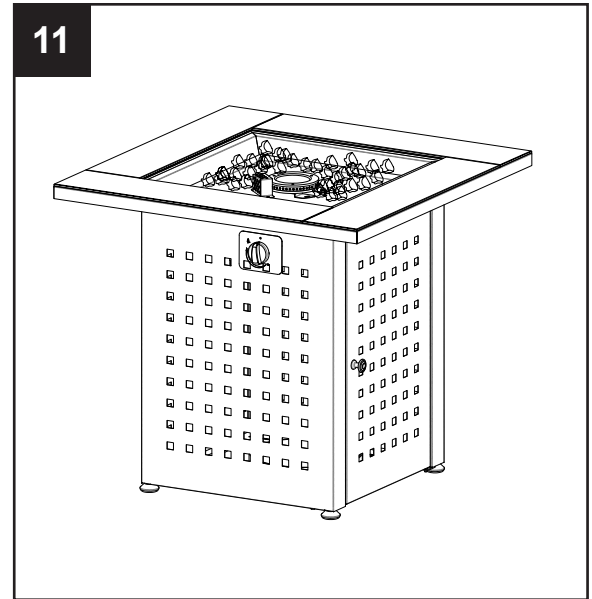
1. No encienda ni utilice la unidad a gas si las piedras de vidrio están mojadas. Asegúrese de que las piedras de vidrio estén completamente secas antes de encender la unidad, ya que el calor intenso podría hacerlas quebrar.
2. Las piedras de vidrio podrían golpear a alguien en la cara o los ojos durante el arranque inicial de esta unidad. Manténgase alejado del electrodoméstico durante los primeros 20 minutos después de haberlo encendido.

10. Coloque el tanque de gas dentro de la unidad, sobre la placa inferior (J).



INSTRUCCIONES DE ENSAMBLAJE

11. La instalación completa del brasero está finalizada.



ATENCIÓN: ESTE PRODUCTO NO ES PARA USO COMERCIAL. ESTÁ DISEÑADO PARA USO RESIDENCIAL ÚNICAMENTE.

Utilice guantes cuando manipule las piedras de vidrio.

No se siente ni se ponga de pie sobre la mesa.

Mantenga a los niños alejados durante el ensamblaje. Este producto contiene piezas pequeñas, las cuales pueden ser tragadas por los niños.

No lo utilice en espacios interiores ni dentro de ningún recinto cerrado.

Conserve las instrucciones de ensamblaje para futura referencia.

Instalador: deje estas instrucciones en manos del propietario.

12. Utilice solamente tanques de 20 libras (aproximadamente 18 ¼" de alto y 12 ¼" de diámetro) equipados con un dispositivo de conexión compatible con la conexión para el regulador de la manguera suministrado con este electrodoméstico. El gas propano y el tanque se venden por separado.

Un tanque de propano abollado, oxidado o dañado puede ser peligroso y debe ser revisado por su proveedor de gas. Nunca utilice un tanque de propano con una válvula de conexión dañada.



INSTRUCCIONES DE ENSAMBLAJE

El tanque de propano debe estar construido y marcado de acuerdo a las especificaciones establecidas para los tanques de gas propano por el Departamento de Transporte de los Estados Unidos (U.S. Department of Transportation (DOT)) o la norma para tanques, esferas y tubos para el transporte de mercancía peligrosa, CAN/CSA-B339.

El tanque debe tener un dispositivo que impida el sobrellenado.

El tanque debe tener un dispositivo de conexión compatible con la conexión del electrodoméstico.

Nunca conecte un tanque de propano no regulado con este electrodoméstico.

El tanque debe incluir un collarín para proteger su válvula. El tanque de gas no debe dejarse caer ni manipularse bruscamente.

Si el electrodoméstico no está en uso, el tanque de suministro de gas propano debe estar desconectado. El almacenamiento de un electrodoméstico en interiores se permite SOLAMENTE si el tanque está desconectado y removido del electrodoméstico. Los tanques deben ser almacenados al aire libre fuera del alcance de los niños y no deben ser almacenados en edificios, garajes ni áreas cerradas. El tanque no debe almacenarse en lugares donde las temperaturas puedan alcanzar más de 125 °F (51,5 °C).

INSTRUCCIONES DE ENSAMBLAJE

La presión máxima de entrada de gas es de 250 psi (1750 kPa). La presión mínima de entrada de gas es de 5 psi (35 kPa).

Coloque un tapón antipolvo sobre la salida de la válvula del tanque siempre que este no esté en uso. En la salida de la válvula del tanque solamente instale el tipo de tapón antipolvo que se suministra con la válvula del tanque. Otros tipos de tapas o tapones pueden causar fugas de propano.

NO obstruya la circulación del aire de combustión ni la ventilación de aire del brasero.

El tanque de propano debe colocarse de tal manera que permita la liberación de vapor y debe estar equipado con un dispositivo de protección contra sobrellenado. Coloque el tanque en la orientación correcta para que se libere el vapor.

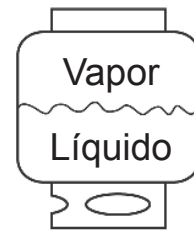
NOTA: El tanque debe estar completamente en posición vertical para que libere únicamente vapor.



CORRECTO



INCORRECTO



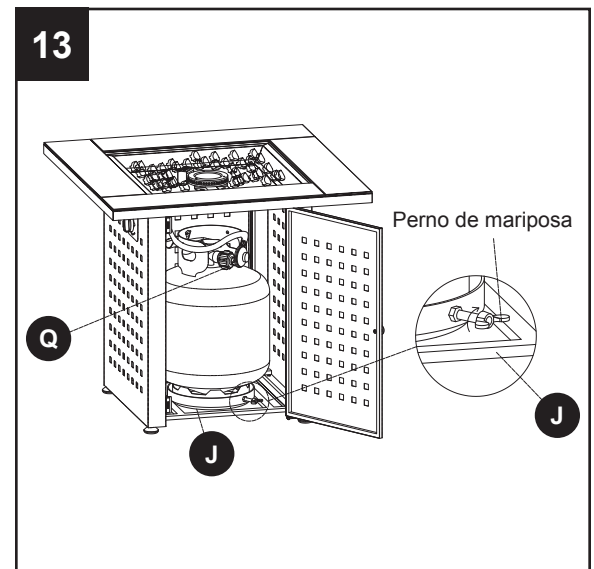
INCORRECTO

⚠ PRECAUCIÓN

- No almacene un tanque de gas propano de repuesto debajo o cerca de este electrodoméstico.
- Nunca llene el tanque por encima del 80 % de su capacidad.
- Si no se sigue exactamente la información contenida en (a) y (b), puede producirse un incendio y ocasionar la muerte o lesiones graves.

El regulador de presión y el conjunto de la manguera suministrados con el electrodoméstico deben ser utilizados. La instalación debe cumplir con los códigos locales o, en ausencia de códigos locales, con el Código Nacional de Gas Combustible ANSI A223.1/NFPA54, el Código de Instalación de Gas Natural y Propano CSA B149.1 o el Código de Almacenamiento y Manipulación de propano B149.2.

13. Antes de conectar, asegúrese de que no haya suciedad atrapada en la salida del tanque de gas, en la entrada de la válvula de regulación o en la salida del quemador y los puertos del quemador. Asegúrese de que la válvula del tanque de propano esté cerrada. Luego, conecte el tanque de gas al regulador (Q) como se muestra en la figura 13. Fije el tanque de gas en el lugar ajustando el perno de mariposa.





INSTRUCCIONES DE USO

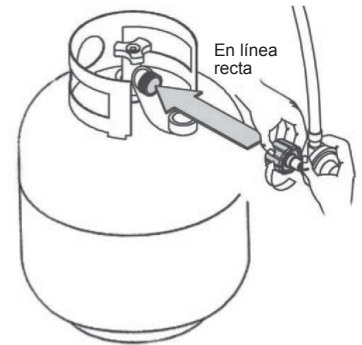
Antes de conectar, asegúrese de que no haya suciedad atrapada en la salida del tanque de gas, en la entrada de la válvula de regulación o en la salida del quemador y los puertos del quemador. Mantenga la válvula del tanque de propano cerrada y desconecte el tanque de propano de la válvula de regulación cuando el brasero no esté en uso.



⚠ ADVERTENCIA

SE DEBEN RESPETAR TODAS LAS INSTRUCCIONES Y MEDIDAS PREVENTIVAS DE ESTA PÁGINA PARA EVITAR INCENDIOS, DAÑOS Y/O LESIONES.

CONEXIÓN DEL TANQUE DE GAS PROPANO

1. La perilla del tanque de gas propano debe estar cerrada. Asegúrese de que la perilla esté completamente girada hacia la derecha . El sistema de suministro del tanque debe disponer de liberación de vapor.
2. Verifique que la perilla de control en la unidad de control esté cerrada.
3. Remueva el tapón protector de la válvula del tanque y la tuerca de acoplamiento.
4. Sujete el regulador en una mano e inserte la boquilla roscada en la salida de la válvula. Asegúrese de que la boquilla esté centrada en la salida de la válvula. La tuerca de acoplamiento se conecta a las roscas grandes exteriores en la salida de la válvula. Tenga cuidado de no dañar ni colocar descentradas las roscas de la conexión.
5. Apriete la tuerca de acoplamiento con la mano girando hacia la derecha  hasta que se detenga completamente. Apriete bien, únicamente con la mano. No utilice herramientas.



Para desconectar: Cierre completamente la válvula del tanque girando hacia la derecha . Gire la tuerca de acoplamiento girando hacia la izquierda  hasta que se separe el ensamblaje del regulador.

⚠ ADVERTENCIA

Durante el proceso de conexión, asegúrese de que:

- el conector de la entrada del regulador se acople con la salida de la válvula del tanque correcta, segura y firmemente, y;
- la manguera de gas propano no esté en contacto ni quede en contacto con el conjunto del quemador.

VERIFICACIÓN DE FUGAS

Una vez que todas las conexiones estén listas, compruebe, con una solución de agua y jabón, que no haya fugas en ninguna de las conexiones y en ninguno de los ajustes en la válvula del tanque de gas de propano, manguera de gas y regulador.

Para prevenir incendios o explosiones cuando esté comprobando que no haya fugas:

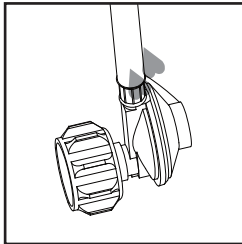
- Siempre verifique que no haya fugas antes de encender el brasero.
- No fume mientras comprueba que no hay una fuga.
- Siempre realice las pruebas de fugas al aire libre en un área bien ventilada.
- No utilice ninguna fuente de fuego mientras verifica que no haya fugas.
- No utilice el brasero hasta que todas y cada una de las fugas hayan sido corregidas.
- Si no puede corregir una fuga, desconecte el suministro de propano y llame al servicio técnico de un distribuidor de electrodomésticos de gas.

INSTRUCCIONES DE USO

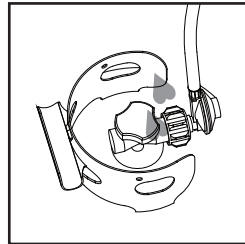
VERIFICACIÓN DE FUGAS

⚠ ADVERTENCIA

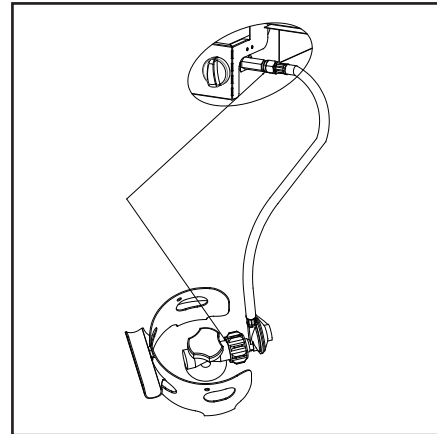
- Realice todas las pruebas de fugas al aire libre.
- Apague todas las llamas abiertas.
- NUNCA realice una prueba de fugas mientras fuma.
- No utilice el brasero antes de haber realizado una verificación de fugas en todas las conexiones y haber comprobado que no tengan fugas.



Conexión de la manguera con el regulador



Conexión del regulador con el tanque



1. Prepare de 2 a 3 onzas de solución para la verificación de fugas (una parte de detergente líquido y tres partes de agua).
2. Coloque la solución para detección de fugas en una botella con atomizador.
3. Asegúrese de que la válvula del tanque y la válvula de control estén CERRADAS.
4. Aplique varias gotas de solución donde la manguera se une al regulador.
5. Aplique varias gotas de solución donde el regulador se conecta con el tanque.
6. ABRA la válvula del tanque.

Si aparecen burbujas en una conexión, significa que hay una fuga.

1. CIERRE la válvula del tanque.
2. Si la fuga se encuentra en la conexión de la manguera con el regulador: apriete la conexión y realice otra prueba de fugas. Si siguen apareciendo burbujas, debe devolver la manguera a la tienda donde la compró.
3. Si la fuga está en la conexión del regulador con el tanque: desconecte, vuelva a conectar y realice otra prueba de fugas. Si sigue viendo burbujas después de varios intentos, la válvula del tanque está defectuosa y debe devolverla a la tienda donde compró el tanque.

Si NO aparecen burbujas en ninguna de las conexiones, significa que estas son seguras.

Nota: Siempre que se aflojen o remuevan las conexiones, usted debe realizar una prueba de fugas completa.

Instalación completada.

⚠ PELIGRO

NUNCA UTILICE UN MECHERO/LLAMA PARA VERIFICAR SI HAY FUGAS.

INSTRUCCIONES DE USO

Nota: Otros tanques podrían ser aceptados para su uso con este electrodoméstico siempre y cuando tengan el mismo perfil y dimensiones que sean compatibles con el receptáculo y sistema de fijación del electrodoméstico.

Precaución: No intente hacer funcionar el electrodoméstico sin haber leído y comprendido toda la información general sobre seguridad que figura en este manual, ni antes de haber realizado todo el procedimiento de ensamblaje y las pruebas de fugas.

Antes de ENCENDER el suministro de gas:

1. El brasero fue diseñado y aprobado para usar al aire libre únicamente. NO lo utilice dentro de un edificio, garaje ni ninguna otra área cerrada.
2. Asegúrese de que los alrededores estén libres de materiales combustibles, gasolina, y otros vapores o líquidos inflamables.
3. Asegúrese de que las ventilaciones de aire no estén obstruidas. Asegúrese de que todas las conexiones de gas estén apretadas y de que no haya fugas.
4. Asegúrese de que la cubierta del tanque esté libre de suciedad. Asegúrese de que cualquier componente que se haya removido durante el ensamblaje o mantenimiento sea reemplazado y fijado antes de comenzar.

⚠ ADVERTENCIA

Las operaciones de encendido deben cumplir con la sección Instrucciones de encendido. Las operaciones de encendido inadecuadas pueden causar lesiones graves y explosiones.

Antes de encender:

1. El brasero debe ser inspeccionado exhaustivamente antes de cada uso, y al menos una vez al año por un técnico cualificado. Si tiene que volver a encender un brasero caliente, siempre espere al menos 5 minutos.
2. Inspeccione que no haya evidencias de abrasión excesiva, cortes o desgaste en el conjunto de la manguera. Debe comprobar que no haya fugas en áreas sospechosas. Si la manguera tiene fugas, debe reemplazarse antes de la puesta en funcionamiento. Solo utilice el conjunto de la manguera de repuesto especificado por el fabricante.

Encendido:

1. Gire la perilla de control a la posición de "APAGADO" (○) (Figura A).
2. Abra completamente la válvula del tanque de gas propano.
3. Empuje la perilla de control de gas y gírela hacia la izquierda hasta "IGNICIÓN" (⚡) (Figura B) para encender el brasero.
Si es necesario, siga apretando y girando la perilla de control hacia la izquierda hasta que el brasero se encienda (debe escuchar un chasquido).
4. Una vez que se haya encendido el brasero, suelte la perilla. Empuje y gire la perilla de control hasta "ALTO" (🔥) (Figura C) y luego suéltela. Si desea una temperatura más baja, empuje la perilla de control y gírela hacia la izquierda hasta "BAJO" (↙).

Nota: Si el quemador no permanece encendido, deben cerrarse todas las válvulas y debe transcurrir un período de al menos 5 minutos antes de intentar encenderlo de nuevo.

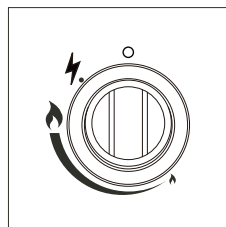


Figura A

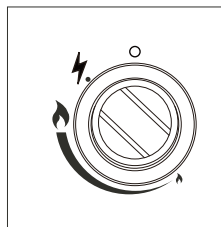


Figura B

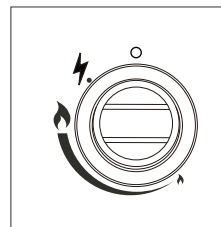


Figura C

⚠ ADVERTENCIA

POR SU SEGURIDAD

Tenga cuidado cuando intente encender manualmente este brasero. Mantener pulsada la perilla de control por más de 10 segundos antes del encendido hará que se forme una bola de fuego cuando se encienda.

Cuando el brasero esté ENCENDIDO:

Se verán lenguas de fuego azules y amarillas en el quemador. Estas llamas no deben ser amarillas ni producir humo espeso negro, lo cual indicaría que hay una obstrucción del flujo de aire a través de los quemadores.

La llama debe ser azul con puntas rectas amarillas. Si se detecta demasiada llama amarilla, cierre el tanque de propano y el brasero, y consulte la sección “Cuidado y mantenimiento” en la página 52.

Cuando el brasero esté ENCENDIDO, la llama normal de alto a bajo es similar a la Figura D (a continuación).

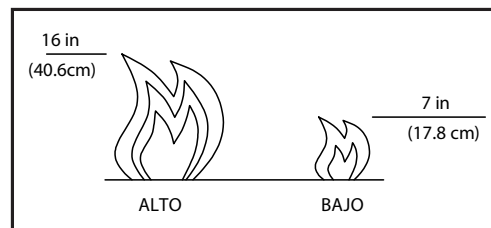


Figura D

Volver a encender:

1. Gire la perilla de control a la posición de APAGADO (○).
2. Repita los pasos para “Encendido” de la página anterior.
3. Para volver a encender un brasero caliente, espere siempre al menos 5 minutos.

⚠ ADVERTENCIA

POR SU SEGURIDAD

El brasero estará caliente después de su uso. Manipúlelo con sumo cuidado.

Apagado del quemador:

Presione la perilla de control y gírela a la posición de “APAGADO” (○).

Desconexión del tanque de propano:

1. Asegúrese de que la perilla de control esté en la posición de APAGADO (○) y espere 45 minutos hasta que el electrodoméstico esté frío.
2. Cierre la válvula del tanque y luego desconecte el regulador de la manguera del tanque.
3. Almacene el tanque en un lugar adecuado.

INSTRUCCIONES DE USO

Lista de verificación para el uso:

Para una experiencia de calefacción segura y placentera, realice esta verificación antes de cada uso.

Antes del uso:

1. Estoy familiarizado completamente con todo el manual del propietario y entiendo todas las precauciones indicadas.
2. Todos los componentes están correctamente ensamblados, intactos y operativos.
3. No se han realizado modificaciones.
4. Todas las conexiones de gas son seguras y no hay fugas.
5. La velocidad del viento es inferior a 16 km/h (10 mph).
6. La unidad funcionará a una eficiencia reducida inferior a 40 °F (4 °C).
7. El brasero está al aire libre (fuera de cualquier recinto).
8. Hay una ventilación de aire fresco adecuada.
9. El brasero está alejado de gasolina u otros líquidos o vapores inflamables.
10. El brasero está alejado de ventanas, aberturas de toma de aire, rociadores y otras fuentes de agua.
11. El brasero está alejado de materiales combustibles al menos 24 pulgadas (60.96 cm) de los laterales y 60 pulgadas (152.4 cm) hacia abajo.
12. El brasero está sobre una superficie dura y nivelada.
13. No hay signos de nidos de arañas o insectos.
14. Todos los pasajes del quemador están despejados.
15. Todos los pasajes de circulación de aire están despejados.
16. **Tanto niños como adultos deben ser advertidos de los peligros de las altas temperaturas de la superficie y deben permanecer alejados para evitar quemaduras e ignición de sus prendas de vestir.**
17. **Los niños pequeños deben ser supervisados cuidadosamente cuando estén en el área del brasero.**
18. **No se deben colgar ropas o materiales de protección en el brasero ni colocarlos sobre o cerca de este.**
19. **Cualquier protector o dispositivo de protección que se haya removido para mantenimiento del brasero debe volver a colocarse antes de poner en funcionamiento el brasero.**
20. **La instalación y el mantenimiento deben ser realizados por un técnico de servicio cualificado. El brasero debe ser inspeccionado antes de su utilización y al menos una vez al año por un técnico cualificado.**
21. **Posiblemente se requiera una limpieza más frecuente, según el caso. Es indispensable que el compartimiento de control, el quemador y los pasajes de circulación de aire del brasero se mantengan limpios.**

Después del uso:

1. La válvula de control del gas está en la posición de APAGADO (○).
2. La válvula del tanque está CERRADA.
3. Desconecte el regulador de la manguera del tanque de propano.

⚠ ADVERTENCIA

POR SU SEGURIDAD

- NO toque ni mueva el brasero durante al menos 45 minutos después de su uso.

Para disfrutar por años de un funcionamiento extraordinario de su brasero, asegúrese de realizar las siguientes tareas de mantenimiento regularmente:

Mantenga las superficies exteriores limpias.

1. Utilice agua jabonosa caliente para la limpieza. Nunca utilice agentes limpiadores inflamables o corrosivos.
2. Durante la limpieza de su brasero, asegúrese de mantener siempre seca el área que rodea al quemador. No sumerja en agua el conjunto de la válvula de control. Si el control de gas se sumerge en agua, NO lo utilice. Deberá cambiarlo.
 - a. Asegúrese de que no haya material combustible, gasolina ni otros vapores y líquidos inflamables en el lugar donde se encuentra el electrodoméstico.
 - b. No obstruya el flujo de combustión ni la ventilación de aire.
 - c. Mantenga las aberturas de ventilación del recinto del tanque limpias, sin suciedades.
3. El flujo de aire debe estar despejado. Mantenga los controles, el quemador y los pasajes de circulación de aire limpios.

Los siguientes pueden ser signos de una posible obstrucción:

- Se percibe olor a gas y la llama es de color amarillo intenso en la punta.
 - El brasero NO alcanza la temperatura deseada.
 - El resplandor del fuego del brasero es excesivamente irregular.
 - El brasero hace ruidos similares a un chasquido.
 - Puede ocurrir que haya nidos de arañas e insectos en el quemador o los orificios. Esto puede dañar el brasero y generar condiciones peligrosas para su uso. Limpie los agujeros del quemador utilizando un limpiador para tuberías resistente. El aire comprimido puede ayudar a eliminar las partículas más pequeñas.
 - La acumulación de restos de carbón puede generar un riesgo de incendio. Limpie la cúpula y la pantalla de ignición con agua jabonosa caliente si se acumulan restos de carbón.
4. Inspeccione el quemador según los intervalos recomendados por el fabricante. Si es evidente que el quemador está dañado, este se debe reemplazar antes de poner en funcionamiento el electrodoméstico. Solo utilice el quemador de repuesto especificado por el fabricante.



Nota: En un ambiente salino (por ejemplo, cerca del mar), la corrosión se produce más rápido de lo normal. Inspeccione frecuentemente el electrodoméstico para detectar áreas con corrosión y repárelas inmediatamente.

CONSEJO:

Utilice cera para autos de alta calidad para ayudar a conservar la apariencia de su brasero.

CUIDADO Y MANTENIMIENTO

Almacenamiento

Entre usos:

- Cierre la válvula de control y la válvula del tanque.
- Desconecte el regulador de la manguera del tanque de propano.
- Guarde el brasero en posición vertical en un lugar cubierto, no expuesto directamente a las inclemencias del tiempo (como lluvia, aguanieve, granizo, nieve, polvo y suciedades).
- Si lo desea, cubra el brasero para proteger las superficies exteriores y para evitar acumulaciones en los pasajes de aire.

Nota: Espere hasta que el brasero se enfríe antes de cubrirlo.

Durante períodos prolongados de inactividad o durante el traslado:

- Cierre la válvula de control y la válvula del tanque.
- Desconecte el regulador de la manguera y traslade el tanque de propano a un lugar al aire libre seguro y bien ventilado.
- Guarde el brasero en posición vertical en un lugar cubierto, no expuesto directamente a las inclemencias del tiempo (como lluvia, aguanieve, granizo, nieve, polvo y suciedades).
- Si lo desea, cubra el brasero para proteger las superficies exteriores y para evitar acumulaciones en los pasajes de aire. Nunca deje el tanque de gas propano expuesto a la luz directa del sol o al calor excesivo.

Nota: Espere hasta que el brasero se enfríe antes de cubrirlo.

Reparaciones y servicio

Únicamente un técnico de servicio cualificado debería reparar los pasajes de gas y componentes asociados.

Precaución: Siempre deje que el brasero se enfríe antes de realizar cualquier reparación.

Precaución: Nunca coloque una cubierta sobre el brasero encendido. Asegúrese de que el brasero se haya enfriado antes de colocar la cubierta.

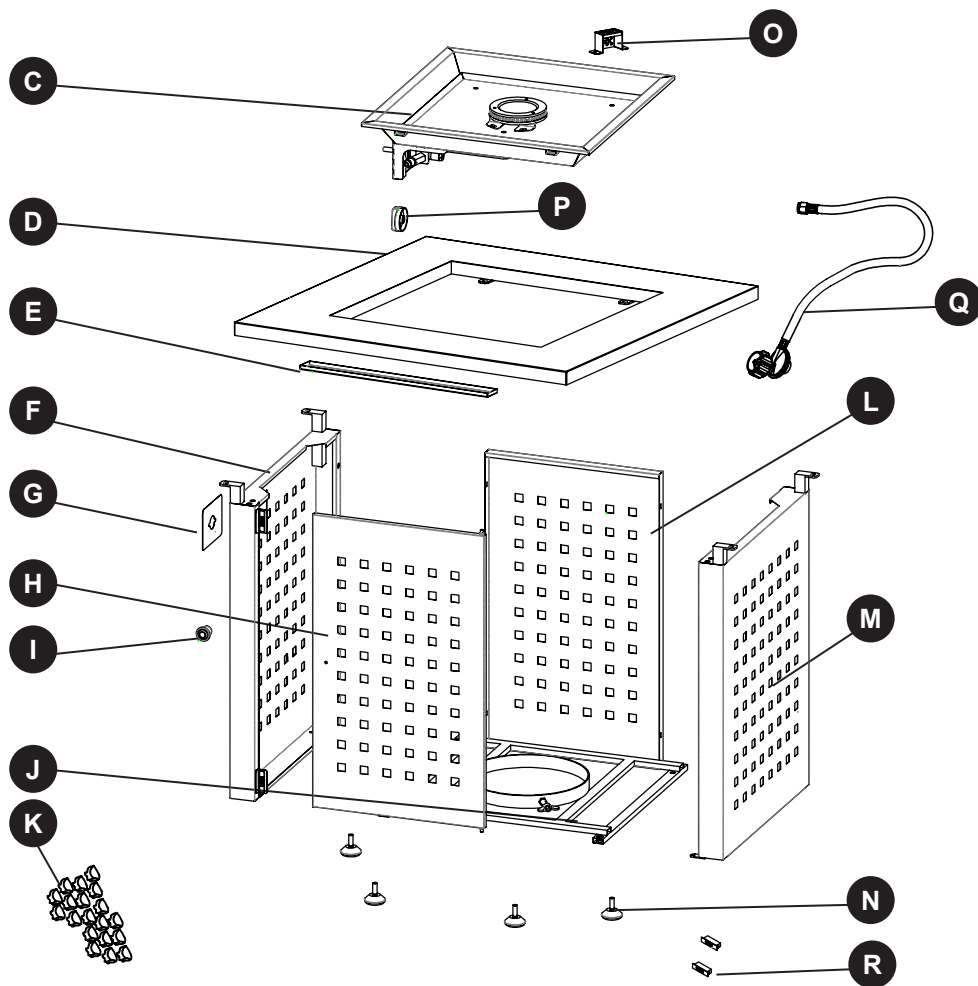
UN AÑO DE GARANTÍA LIMITADA

Si durante el transcurso de un año a partir de la fecha de compra original, este artículo no funciona correctamente debido a un defecto en el material o en la mano de obra, lo reemplazaremos o repararemos sin cargo, según nuestro criterio. Para solicitar piezas u obtener el servicio de la garantía, llame al 1-877-447-4768, de lunes a viernes de 8:30 a. m. a 4:30 p. m. (hora central estándar). Esta garantía no cubre defectos ocasionados por uso inapropiado o anormal, uso indebido, accidentes o alteraciones. Si no se respetan todas las instrucciones del manual del propietario, esta garantía quedará anulada. El fabricante no será responsable de daños incidentales o indirectos, ni del deterioro normal de los productos para exteriores. Algunos estados no permiten la exclusión o limitación de daños incidentales o indirectos. Por lo tanto, es posible que la limitación mencionada no se aplique en su caso. Esta garantía otorga derechos legales específicos, y podría haber otros derechos aplicables según el estado.

SOLUCIÓN DE PROBLEMAS

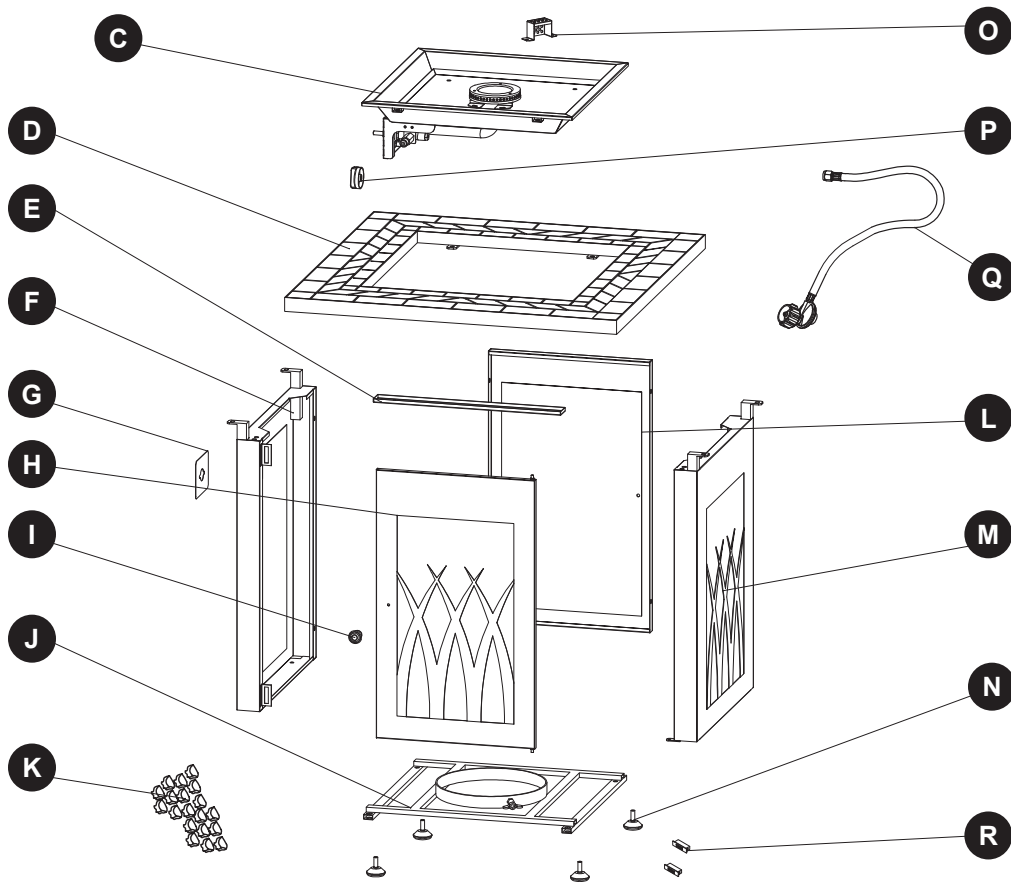
PROBLEMA	POSIBLE CAUSA	MEDIDA CORRECTIVA
El quemador no se enciende.	Se forma escarcha en la parte exterior del tanque de propano.	Espere a que el tanque de propano se caliente y la escarcha desaparezca.
	Obstrucción en orificio.	Despeje la obstrucción.
	La perilla de control no está en la posición de ENCENDIDO.	Coloque la perilla de control en la posición de ENCENDIDO.
La llama del quemador es baja.	La presión de gas es baja.	CIERRE la válvula del tanque y reemplace el tanque.
	La temperatura exterior es inferior a 40 °F (4 °C) y el tanque está por debajo de 1/4 de su capacidad.	Utilice un tanque lleno.
	La perilla de control está en la posición máxima de ENCENDIDO.	Verifique que el quemador y los orificios no estén obstruidos.
Acumulación de carbón. Humo espeso negro.	Suciedad o capa de suciedad en la pantalla de ignición.	Limpie la pantalla de ignición.
	Obstrucción en el quemador.	Elimine la obstrucción y limpie el quemador por dentro y por fuera.

LISTA DE PIEZAS DE REPUESTO PARA OFG012T



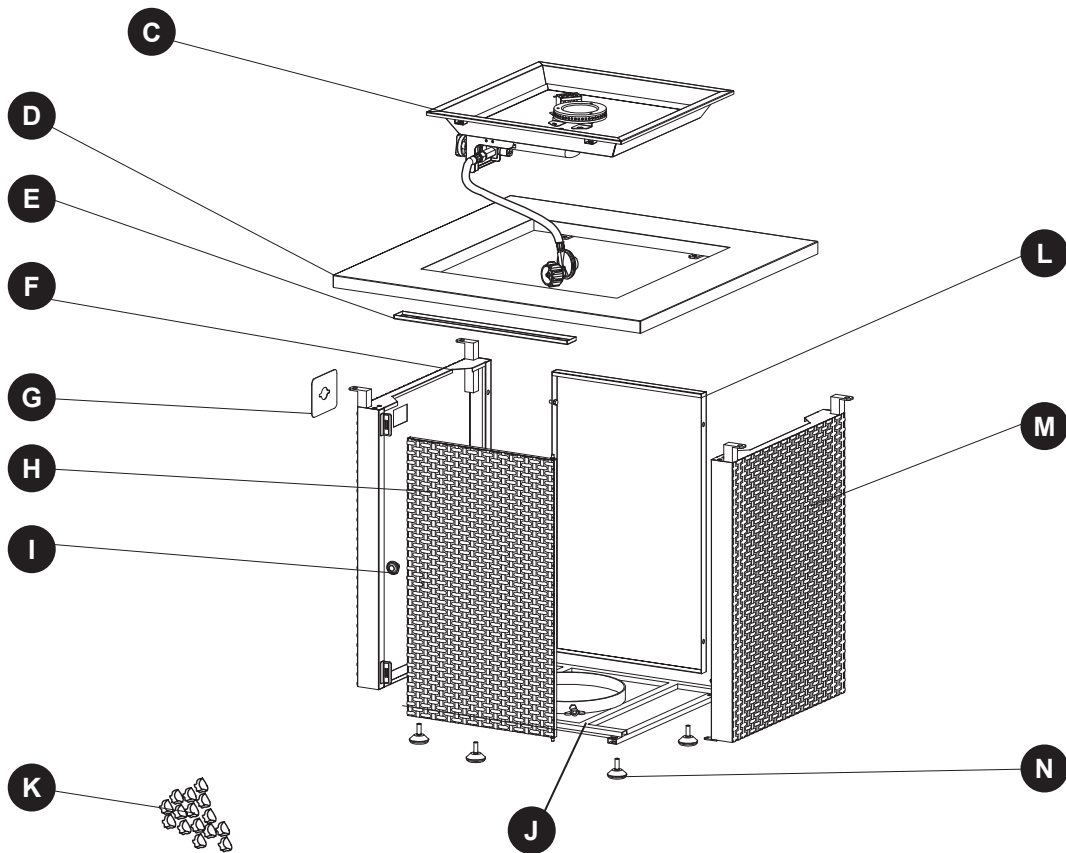
PIEZA	DESCRIPCIÓN	CANT. N.º DE PIEZA	
C	Conjunto del quemador	1	30-06-400
D	Mesa de vidrio	1	30-06-401
E	Soporte de la puerta	1	30-06-402
F	Panel lateral izquierdo	1	30-06-403
G	Panel de control	1	30-06-404
H	Puerta	1	30-06-405
I	Perilla	1	30-06-414
J	Placa inferior	1	30-06-406
K	Piedras de vidrio Azul (un paquete)	1	30-06-407
L	Panel trasero	1	30-06-408
M	Panel lateral derecho	1	30-06-409
N	Pie	4	30-06-410
O	Pantalla	1	30-06-411
P	Perilla de control	1	30-06-328
Q	Conjunto del regulador	1	30-06-412
R	Imanes	2	30-06-413
HWP	Paquete de tornillería y herramientas	1	30-09-517
N/A	Manual de instrucciones	1	30-10-106

LISTA DE PIEZAS DE REPUESTO PARA OFG824T

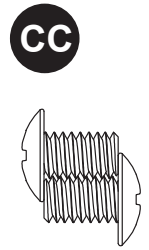
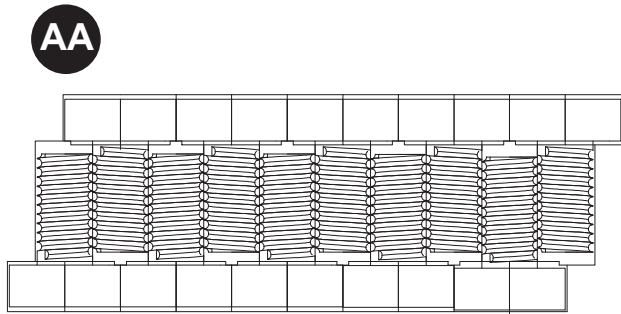
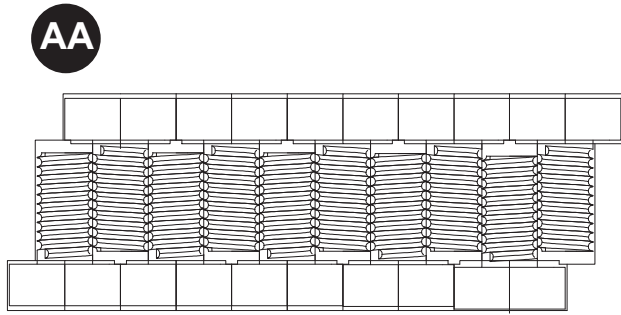


PIEZA	DESCRIPCIÓN	CANT. N.º DE PIEZA	
C	Conjunto del quemador	1	30-06-400
D	Mesa	1	30-06-452
E	Soporte de la puerta	1	30-06-416
F	Panel lateral izquierdo	1	30-06-417
G	Panel de control	1	30-06-404
H	Puerta	1	30-06-418
I	Perilla	1	30-06-414
J	Placa inferior	1	30-06-406
K	Piedras de vidrio Ámbar (un paquete)	1	30-06-419
L	Panel trasero	1	30-06-420
M	Panel lateral derecho	1	30-06-421
N	Pie	4	30-06-410
O	Pantalla	1	30-06-411
P	Perilla de control	1	30-06-328
Q	Conjunto del regulador	1	30-06-412
R	Imanes	2	30-06-413
HWP	Paquete de tornillería y herramientas	1	30-09-517
N/A	Manual de instrucciones	1	30-10-106

LISTA DE PIEZAS DE REPUESTO PARA OFG007TF



PIEZA	DESCRIPCIÓN	CANT.	N.º DE PIEZA
C	Conjunto del quemador	1	30-06-483
D	Mesa	1	30-06-484
E	Soporte de la puerta	1	30-06-485
F	Panel lateral izquierdo	1	30-06-486
G	Panel de control	1	30-06-404
H	Puerta	1	30-06-487
I	Perilla	1	30-01-056
J	Placa inferior	1	30-06-406
K	Piedras de vidrio Ámbar (un paquete)	1	30-06-419
L	Panel trasero	1	30-06-488
M	Panel lateral derecho	1	30-06-489
N	Pie	4	30-06-410
O	Pantalla	1	30-06-411
P	Perilla de control	1	30-06-328
Q	Conjunto del regulador	1	30-06-412
R	Imanes	2	30-06-413
AA - DD	Paquete de tornillería y herramientas	1	30-09-517
N/A	Manual de instrucciones	1	30-10-106



GHP Group, Inc.
6440 W. Howard St.
Niles, IL 60714-3302, EE. UU.
877-447-4768

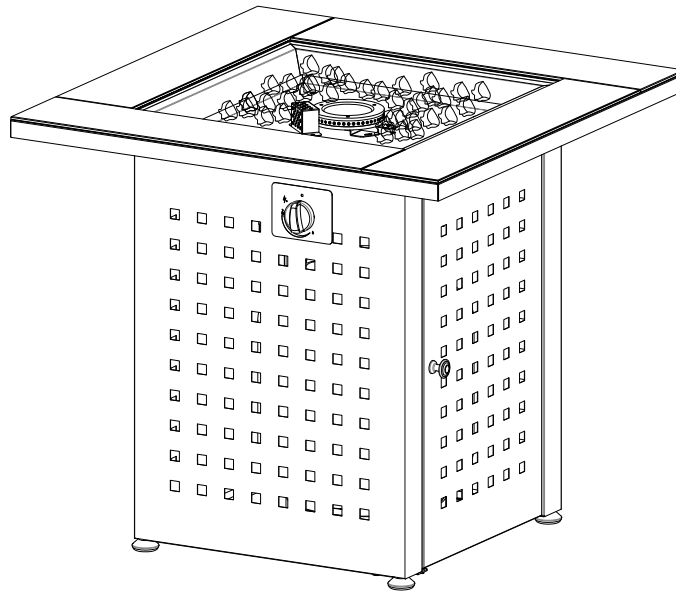


FOYER AU PROPANE POUR L'EXTÉRIEUR

N° DE MODÈLE OFG012T/OFG824T/OFG007TF

English p. 1

Español p. 30



C US

ANSI Z21.97-2014 • CSA 2.41-2014
Outdoor Decorative Gas Appliance

* Bouteilles de propane vendues séparément.

* L'article peut avoir une apparence légèrement différente selon le n° de modèle acheté.

INSTRUCTIONS IMPORTANTES

VEUILLEZ LIRE CE MANUEL AVANT D'INSTALLER ET D'UTILISER L'APPAREIL

AVERTISSEMENT

SI LES INFORMATIONS CONTENUES DANS CE MANUEL NE SONT PAS SUIVIES EXACTEMENT, UNE ÉLECTROCUTION OU UN INCENDIE PEUT SURVENIR, CAUSANT DES DOMMAGES MATÉRIELS, DES BLESSURES OU DES PERTES DE VIE HUMAINE.

**INSTALLATEUR : Laissez ce manuel chez le consommateur.
CONSOMMATEUR : Veuillez conserver ce manuel pour référence ultérieure.**

AGRAFEZ VOTRE FACTURE ICI

Numéro de série _____ Date d'achat _____



Questions, problèmes, pièces manquantes? Avant de retourner l'article au détaillant, appelez notre service à la clientèle au 1 877 447-4768, entre 8 h 30 et 16 h 30 (HNC), du lundi au vendredi, ou envoyez un courriel à customerservice@ghpgroupinc.com.

TABLE DES MATIÈRES

Informations relatives à la sécurité.....	62
Contenu de l'emballage.....	65
Préparation.....	68
Instructions d'assemblage.....	69
Instructions de fonctionnement.....	76
Entretien et maintenance.....	81
Garantie.....	82
Dépannage.....	83
Liste des pièces de rechange.....	84

⚠ AVERTISSEMENT : Pour utilisation à l'extérieur seulement.

⚠ DANGER :

S'il y a une odeur de gaz :

1. Coupez l'admission de gaz de l'appareil.
2. Éteindre toute flamme nue.
3. Si l'odeur persiste, éloignez-vous de l'appareil et appelez immédiatement le fournisseur de gaz ou le service d'incendie.

⚠ AVERTISSEMENT :

Ne pas entreposer ni utiliser de l'essence ni d'autres vapeurs ou liquides inflammables dans le voisinage de l'appareil, ni de tout autre appareil.

Une bouteille de propane qui n'est pas raccordée en vue de son utilisation ne doit pas être entreposée dans le voisinage de cet appareil ou de tout autre appareil.

⚠ AVERTISSEMENT : Une installation, un ajustement, une modification, une réparation ou un entretien inapproprié peuvent être la cause de blessures ou de dommages. Veuillez lire attentivement les instructions d'installation, d'utilisation et d'entretien avant d'installer ou de réparer ce matériel. Pour obtenir de l'aide ou des renseignements supplémentaires, consultez un installateur qualifié, une institution de service ou le fournisseur de gaz.

⚠ DANGER



MONOXYDE DE CARBONE

Cet appareil peut produire du monoxyde de carbone, un gaz inodore.

L'utilisation de cet appareil dans des espaces clos peut entraîner la mort.

Ne jamais utiliser cet appareil dans un espace clos comme un véhicule de camping, une tente, une automobile ou une maison.

ÉTIQUETTE POUR BOUTEILLE GPL

⚠ DANGER — Gaz inflammable sous pression.
Une fuite de GPL peut causer un incendie ou une explosion si enflammée entraînant des blessures corporelles graves ou la mort. Communiquer avec le fournisseur de GPL pour les réparations ou pour disposer de cette bouteille ou du GPL non utilisé.

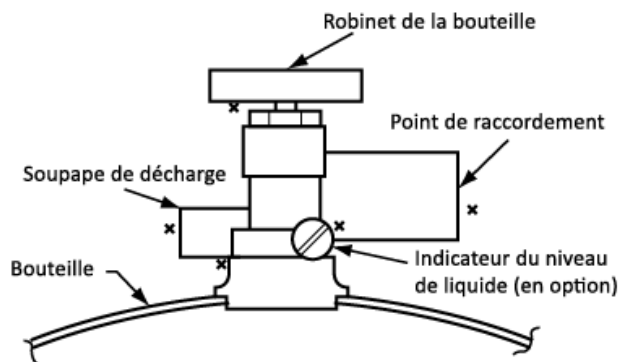
⚠ Avertissement Pour usage à l'extérieur seulement.*
Ne pas utiliser ni entreposer la bouteille dans un bâtiment, un garage ou un endroit fermé.

⚠ Avertissement :

- Apprenez à reconnaître l'odeur du GPL. Si vous entendez, voyez ou sentez une fuite de GPL, éloignez immédiatement toutes les personnes de la bouteille et appelez le service d'incendie. Ne tentez aucune réparation.
- Avertissement pour le fournisseur de GPL :
Assurez-vous que la bouteille a été purgée de tout l'air avant de procéder au remplissage initial.
Assurez-vous de ne pas trop remplir la bouteille.
Assurez-vous que la date de requalification de la bouteille a été vérifiée.
- Le GPL est plus lourd que l'air et peut se déposer près du sol avant de se dissiper.
- Le contact avec le contenu liquide de la bouteille peut causer des brûlures à la peau par le froid.
- Ne pas permettre aux enfants de jouer avec la bouteille.
- Si la bouteille n'est pas raccordée pour utilisation, s'assurer que le robinet est fermé. Les bouteilles des appareils autonomes de cuisson en plein air doivent être limitées à une capacité d'au plus 30 lb.
- Ne pas utiliser, entreposer ni transporter une bouteille si elle risque d'être exposée à des températures élevées. La soupape de décharge pourrait s'ouvrir et libérer une grande quantité de gaz inflammable.
- Lors du transport, sécuriser la bouteille en position debout et s'assurer que le robinet est fermé.

Lors du raccordement pour utilisation :

- Utilisez uniquement conformément aux codes en vigueur.
- Lisez et suivez les instructions du fabricant.
- Consultez les instructions du fabricant visant le raccordement de la bouteille fournie avec l'appareil.
- Assurez-vous que l'évent du régulateur n'est pas dirigé vers le haut.
- Fermez tous les robinets sur l'appareil.
- Ne pas utiliser d'allumette ou de flamme nue pour vérifier la présence d'une fuite de gaz. Appliquez une solution d'eau savonneuse sur les zones marquées d'un « X ». Ouvrir le robinet de la bouteille. Si des bulles se forment, fermez le robinet et demandez à une personne qualifiée pour l'entretien d'appareils au GPL de faire les réparations requises. Avant d'allumer l'appareil, vérifiez aussi les robinets et les raccordements de l'appareil afin de vous assurer qu'il n'y a pas de fuite.
- Allumez l'appareil selon les instructions du fabricant.
- Lorsque vous n'utilisez pas l'appareil, gardez le robinet de la bouteille fermé.



NE PAS RETIRER, BARBOUILLER OU EFFACER CETTE ÉTIQUETTE
***SAUF DANS LES CAS PERMIS SELON LES NORMES L'ANSI/NFPA 58**
ou la CSA B149.2

⚠ DANGER. Ne pas entreposer une bouteille de GPL sous l'appareil ou à proximité de celui-ci et de toute source de chaleur. Ne jamais remplir une bouteille de GPL à plus de 80 % de sa capacité : un incendie causant la mort ou des blessures graves peut se produire.

INFORMATIONS RELATIVES À LA SÉCURITÉ

Veillez lire et comprendre le présent guide avant de tenter d'assembler, d'utiliser ou d'installer le produit. Si vous avez des questions concernant le produit, veuillez appeler le service à la clientèle au 1 877 447-4768, entre 8 h 30 et 16 h 30 (HNC), du lundi au vendredi.

DANGER

- Si les indications de danger, les avertissements et les mises en garde du présent guide ne sont pas suivis à la lettre, des blessures ou même la mort peuvent survenir, de même qu'un incendie ou une explosion causant des dommages matériels.

AVERTISSEMENT

- Pression d'alimentation de gaz maximale à l'entrée : 250 lb/po² (1750 kPa). Pression d'admission avec régulateur fourni : 11 pouces C.E./2,74 kPa.
- L'appareil doit être utilisé uniquement à l'extérieur dans un espace bien ventilé et ne doit pas être utilisé dans un bâtiment, un garage, ni aucun autre espace fermé.
- N'utilisez PAS cet appareil pour cuisiner.
- L'installation de ce produit doit être conforme aux codes locaux ou, en l'absence de codes locaux, au code ANSI Z223.1/NFPA 54 intitulé « National Fuel Gas Code » (code national des gaz combustibles), ou au code CAN/CGA-B149.1 intitulé « Code d'installation du gaz naturel et du propane ».
- Ne pas utiliser cet appareil s'il a été plongé, même partiellement, dans l'eau. Appeler un technicien qualifié pour inspecter l'appareil et remplacer toute partie du système de commande et toute commande qui a été plongée dans l'eau.
- N'entreposez pas de bouteilles de propane supplémentaires ou déconnectées sous l'appareil ou près de celui-ci.
- Ne faites pas fonctionner l'appareil au propane en présence d'une fuite de gaz.
- N'utilisez jamais une flamme pour vérifier s'il y a des fuites de gaz.
- La distance minimale entre l'appareil au propane et les matériaux combustibles doit être de 60,96 cm/24 po sur les côtés et de 152,4 cm/60 po sur le dessus. Placez l'appareil sur des surfaces non combustibles uniquement.
- Ne mettez aucune autre housse d'appareil ou toute autre matière inflammable sur l'appareil ou en dessous de celui-ci.
- **L'appareil au propane ne doit jamais être utilisé par des enfants. Les jeunes enfants doivent être surveillés attentivement lorsqu'ils sont près de l'appareil.**
- **Les enfants et les adultes doivent être avertis des dangers que comportent les surfaces à haute température et s'en tenir à une distance suffisante pour éviter les brûlures de la peau et des vêtements.**
- Si le feu s'éteint pendant que l'appareil fonctionne, fermez la vanne de gaz. Suivez les instructions et attendez cinq minutes avant de tenter de rallumer l'appareil.
- N'utilisez jamais de bois ou tout autre combustible solide dans l'appareil. Les combustibles solides ne doivent pas être brûlés dans ce foyer extérieur au gaz.
- **Ne suspendez et ne placez jamais de vêtements ni d'autres matériaux inflammables sur l'appareil ou près de celui-ci.**
- Ne vous penchez jamais sur l'appareil allumé et ne placez jamais vos mains ou vos doigts sur la partie supérieure de l'unité en marche.
- Gardez les conduits d'aération de la bouteille exempts de tout débris.
- Ne modifiez pas l'appareil.
- Convertir une unité au gaz propane en unité au gaz naturel ou tenter d'alimenter une unité au propane avec du gaz naturel est dangereux.
- Ne peut fonctionner qu'avec des bouteilles à mention PROPANE. Ne PAS raccorder à une alimentation en gaz éloignée.
- N'utilisez pas l'appareil à bord de véhicules ou de bateaux. Employez toujours l'appareil sur une surface plane et nivelée.

INFORMATIONS RELATIVES À LA SÉCURITÉ

AVERTISSEMENT

- Gardez tout cordon d'alimentation électrique et tuyau d'alimentation de carburant loin des surfaces chaudes.
- Gardez votre appareil propre et exempt de matériaux combustibles, d'essence et d'autres vapeurs et liquides inflammables.
- Effectuez une inspection visuelle du brûleur pour détecter d'éventuelles obstructions. Gardez l'enceinte de la bouteille propre et exempte de tout débris.
- Ne mettez pas l'appareil en marche avant que toutes les pièces aient été installées.
- **Toute protection ou autre dispositif de sécurité qui a été retiré pour l'entretien de l'appareil doit être remplacé avant son utilisation.**
- Le tuyau doit être remplacé avant que l'appareil soit mis en marche s'il présente des signes de dégradation ou d'usure excessive, ou si le tuyau est endommagé. Le tuyau de rechange doit être celui précisé par le fabricant.
- **L'installation et la réparation doivent être confiées à un technicien qualifié. L'appareil devrait être inspecté avant son utilisation et au moins une fois par année par un technicien qualifié. Il peut être nécessaire de nettoyer l'appareil plus fréquemment. Il est impératif de maintenir propres le logement des commandes, les brûleurs et les passages d'air de l'appareil.**
- La bouteille de propane doit être fabriquée et identifiée selon les spécifications sur les bouteilles à gaz du département des Transports des États-Unis (DOT) ou selon la norme CAN/CSA-B339 intitulée « Bouteilles à gaz cylindriques et sphériques et tubes pour le transport des marchandises dangereuses » des Normes nationales du Canada et selon la Commission, si applicables; et fournie avec un dispositif de protection antidébordement approuvé.
- Utilisez uniquement des bouteilles de 20 lb (environ 18 ¼ po de hauteur et 12 ¼ po de diamètre) équipées d'un système de raccordement à la bouteille qui est compatible avec le régulateur du tuyau fourni avec l'appareil. La bouteille doit être munie d'un collet servant à protéger la vanne de la bouteille. Il ne faut pas faire tomber ou manipuler brusquement la bouteille de propane!
- Les bouteilles doivent être entreposées à l'extérieur dans un endroit bien aéré, hors de la portée des enfants.
- Déconnectez la bouteille lorsque l'appareil n'est pas utilisé.
- Les bouteilles déconnectées doivent être munies de chapeaux de valve correctement installés et ne doivent pas être entreposées dans un bâtiment, ni dans tout autre espace fermé.
- N'utilisez pas cet appareil sous les parasols, les auvents, etc.
- Utilisez l'appareil uniquement sur des surfaces stables.
- N'utilisez pas l'appareil avec une housse en vinyle ou en PVC.
- Laissez l'appareil refroidir avant de le recouvrir d'une housse en vinyle ou en PVC.
- Ne vous assoyez pas sur l'appareil.
- N'utilisez jamais de charbon ou d'essence à briquet dans le foyer.
- N'utilisez pas d'essence, de kérosène ou d'alcool pour allumer l'appareil.
- Ne gardez jamais une bouteille de propane remplie dans une voiture ou un coffre de voiture surchauffé. La chaleur fait augmenter la pression du gaz, ce qui peut ouvrir la soupape de décharge et laisser le gaz s'échapper.
- Ne vous penchez pas au-dessus du foyer lors de l'allumage. Lisez les instructions avant d'allumer l'appareil.
- Si la flamme s'éteint accidentellement lors de l'allumage ou du fonctionnement, FERMEZ immédiatement la vanne de la bouteille, puis DÉACTIVEZ le bouton de commande.

! AVERTISSEMENT

POUR LES UNITÉS AU PROPANE

- Le régulateur de pression de gaz fourni avec l'appareil au propane doit être utilisé.
- Le régulateur de pression de rechange doit être celui précisé par le fabricant de l'appareil.
- Ne tentez pas de déconnecter la bouteille de propane ou tout autre raccordement de gaz lorsque votre appareil est en marche.
- Une bouteille de propane bosselée ou rouillée peut être dangereuse et devrait être vérifiée par un fournisseur de gaz avant son utilisation.
- N'utilisez pas une bouteille de propane avec une vanne endommagée ou d'autres pièces usées.
- Transportez et entreposez les bouteilles de propane vides soigneusement et correctement.
- Si vous voyez, sentez ou entendez le gaz s'échapper de la bouteille de propane :
 1. Déconnectez la bouteille de propane.
 2. Ne tentez pas de résoudre le problème vous-même.
 3. Communiquez avec votre fournisseur de gaz ou le service d'incendie pour obtenir de l'aide.

! AVERTISSEMENT

PROPOSITION 65 DE L'ÉTAT DE LA CALIFORNIE

Les combustibles utilisés dans les appareils fonctionnant au gaz propane liquéfié et les produits de leur combustion peuvent vous exposer à des substances chimiques comme le benzène, reconnu dans l'État de la Californie comme causant le cancer et des anomalies congénitales ou d'autres problèmes de reproduction.

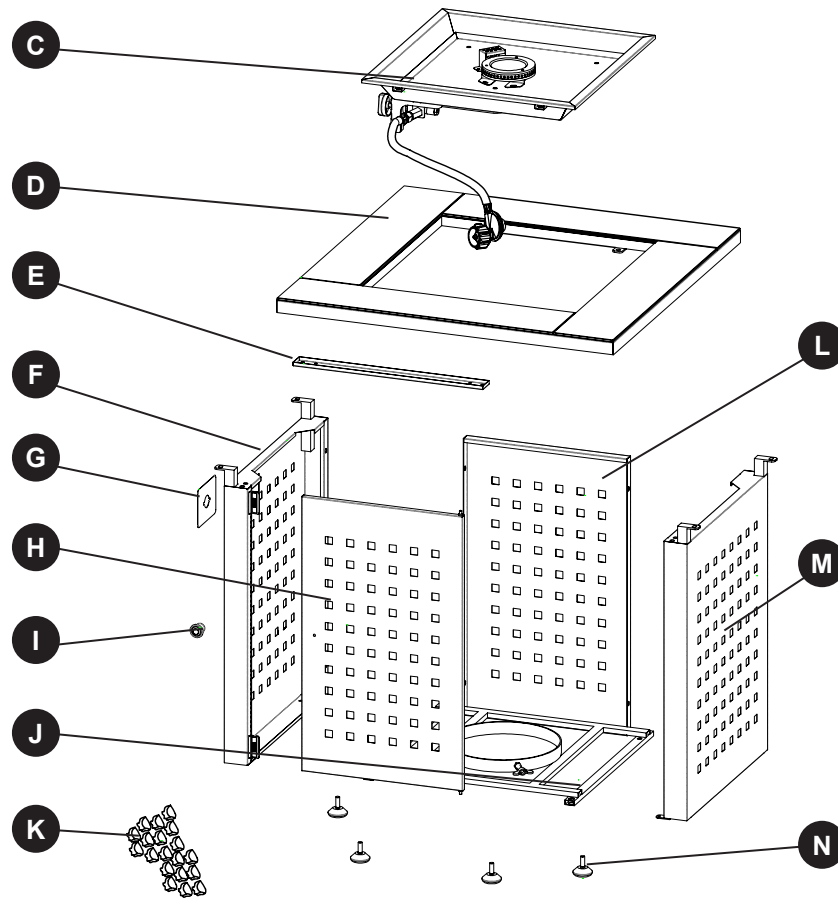
Pour plus de renseignements, visitez le www.P65Warnings.ca.gov

! MISE EN GARDE

ROCHES EN VERRE

1. N'allumez et n'utilisez pas l'unité au propane si les roches en verre sont mouillées. Assurez-vous que les roches en verre sont complètement sèches avant d'allumer l'appareil, car une chaleur intense pourrait les faire craquer.
2. Les roches en verre peuvent percuter le visage ou les yeux d'une personne lors de la première mise en marche de cet appareil. Éloignez-vous de l'appareil pendant les 20 premières minutes suivant la mise en marche.

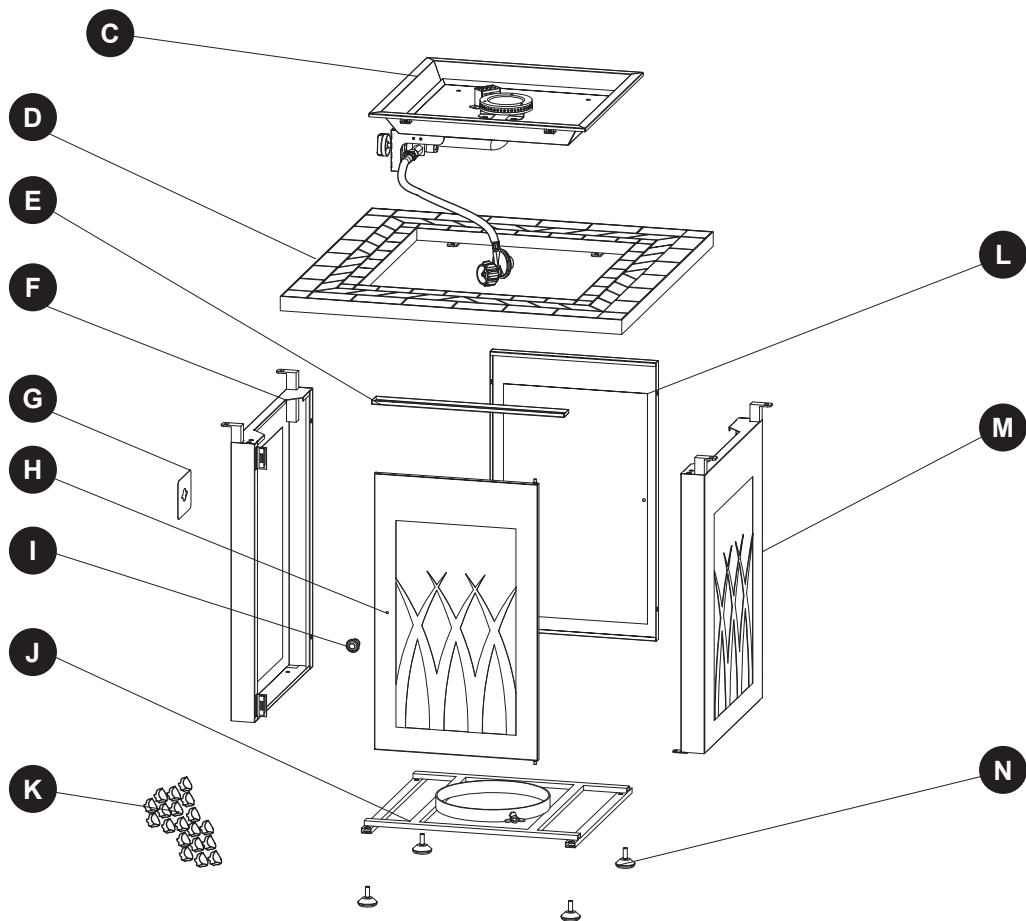
CONTENU DE L'EMBALLAGE POUR OFG012T



PIÈCE	DESCRIPTION	QTÉ
C	Brûleur	1
D	Plateau en verre	1
E	Support de la porte	1
F	Panneau latéral gauche	1
G	Panneau de contrôle	1
H	Porte	1

PIÈCE	DESCRIPTION	QTÉ
I	Bouton	1
J	Plaque de fond	1
K	Roches en verre (un paquet)	1
L	Panneau arrière	1
M	Panneau latéral droit	1
N	Pied	4

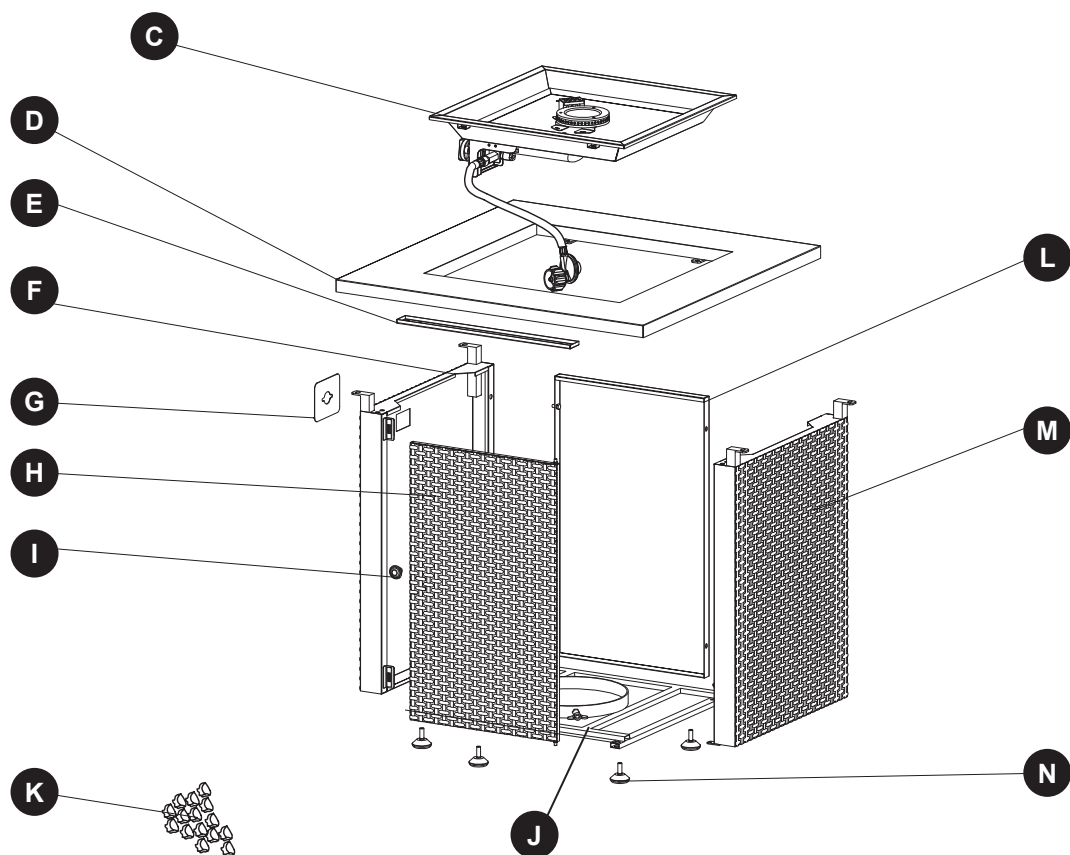
CONTENU DE L'EMBALLAGE POUR OFG824T



PIÈCE	DESCRIPTION	QTÉ
C	Brûleur	1
D	Plateau	1
E	Support de la porte	1
F	Panneau latéral gauche	1
G	Panneau de contrôle	1
H	Porte	1

PIÈCE	DESCRIPTION	QTÉ
I	Bouton	1
J	Plaque de fond	1
K	Roches en verre (un paquet)	1
L	Panneau arrière	1
M	Panneau latéral droit	1
N	Pied	4

CONTENU DE L'EMBALLAGE POUR OFG007TF

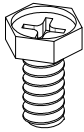


PIÈCE	DESCRIPTION	QTÉ
C	Brûleur	1
D	Plateau	1
E	Support de la porte	1
F	Panneau latéral gauche	1
G	Panneau de contrôle	1
H	Porte	1

PIÈCE	DESCRIPTION	QTÉ
I	Bouton	1
J	Plaque de fond	1
K	Roches en verre (un paquet)	1
L	Panneau arrière	1
M	Panneau latéral droit	1
N	Pied	4

MATÉRIEL UTILISÉ

AA



Boulon
M6 x 12 mm
Qté 20

BB



Vis
M4 x 6 mm
Qté 1

CC



Vis
M5 x 8 mm
Qté 2

DD



Rondelle
ø4
Qté 1

EE



Tournevis
cruciforme
Qté 1

PRÉPARATION

Avant de commencer l'assemblage du foyer, assurez-vous d'avoir toutes les pièces. Comparez les pièces à la liste de contenu de l'emballage et de quincaillerie fournie précédemment. Si des pièces sont manquantes ou défectueuses, n'essayez pas d'assembler le produit. Veuillez communiquer avec le service à la clientèle afin d'obtenir des pièces de rechange.

Estimation du temps d'assemblage : 45 minutes

Outils nécessaires pour l'assemblage (non compris) :
Solution de détection de fuites.

! MISE EN GARDE

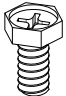

CET APPAREIL EST LOURD. Deux personnes sont requises pour assembler cet appareil en toute sécurité.

Deux personnes sont requises pour assembler cet appareil en toute sécurité. Certaines pièces peuvent avoir des bords tranchants. Portez des gants de protection si nécessaire. Veuillez lire et respecter les avis de sécurité, les avertissements ainsi que les instructions d'assemblage, d'utilisation et d'entretien avant d'assembler et de mettre en marche l'appareil.

INSTRUCTIONS D'ASSEMBLAGE

1. Fixez la plaque de fond (J) aux panneaux latéraux gauche et droit (F et M) à l'aide de quatre boulons M6 x 12 mm (AA) comme illustré à la figure 1. Assurez-vous que l'anneau central de la plaque de fond (J) est positionné plus près du côté de l'aimant, sur le panneau latéral gauche (F), que de l'autre. Serrez avec le tournevis cruciforme (EE). Sur l'illustration, l'installation est à l'envers. Gardez l'appareil dans cette position.



Matériel utilisé

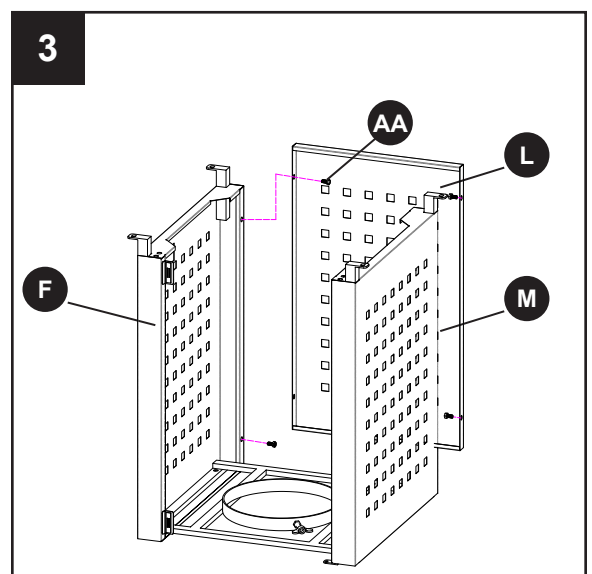
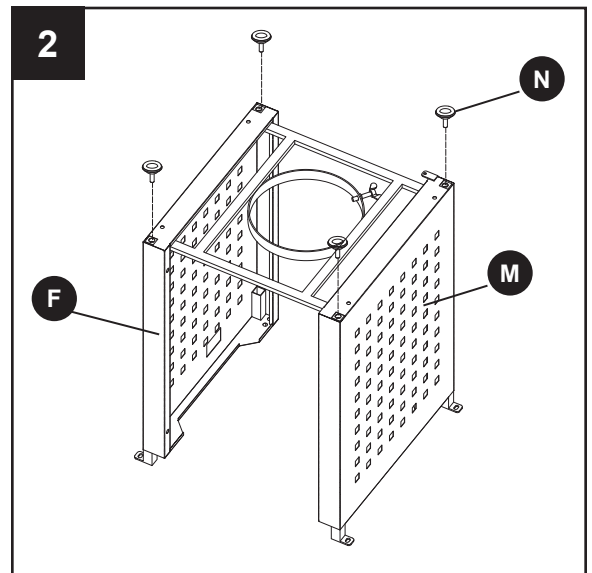
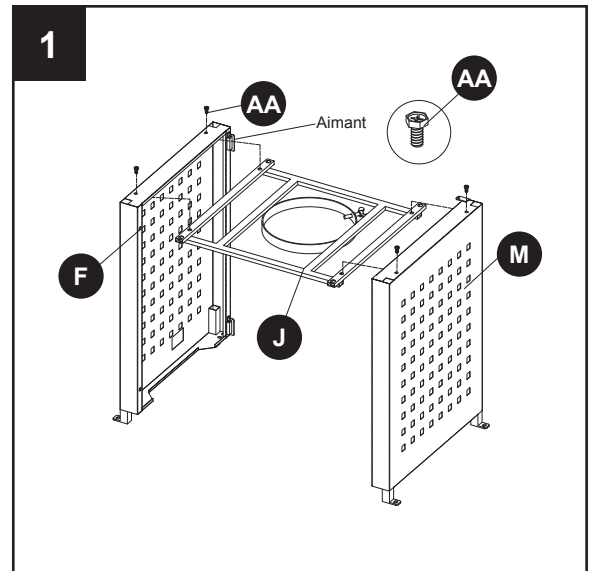
- AA** Boulon M6 x 12 mm  x 4
- EE** Tournevis cruciforme 

2. Vissez les quatre pieds (N) au bas des panneaux latéraux gauche et droit (F et M) comme illustré à la figure 2.

3. Remettez l'appareil à l'endroit. Fixez le panneau arrière (L) aux panneaux latéraux gauche et droit (F et M) à l'aide de quatre boulons M6 x 12 mm (AA) comme illustré à la figure 3. Serrez avec le tournevis cruciforme (EE).

Matériel utilisé




- AA** Boulon M6 x 12 mm  x 4
- EE** Tournevis cruciforme 

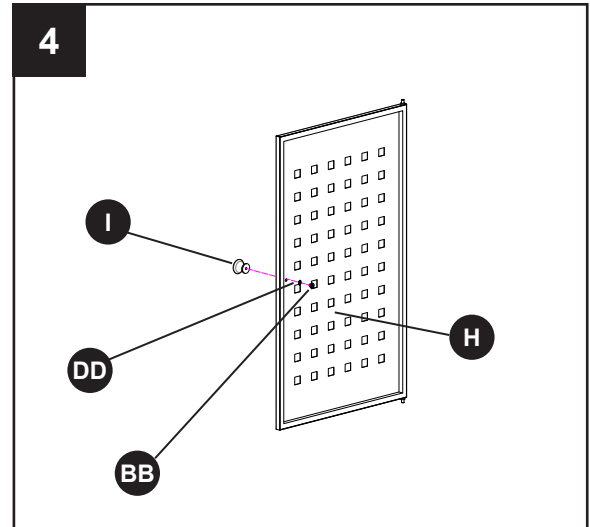


INSTRUCTIONS D'ASSEMBLAGE

4. Fixez le bouton (I) à la porte (H) à l'aide d'une vis M4 x 6 mm (BB) et d'une rondelle $\varnothing 4$ (DD). Serrez avec le tournevis (EE).



Matériel utilisé

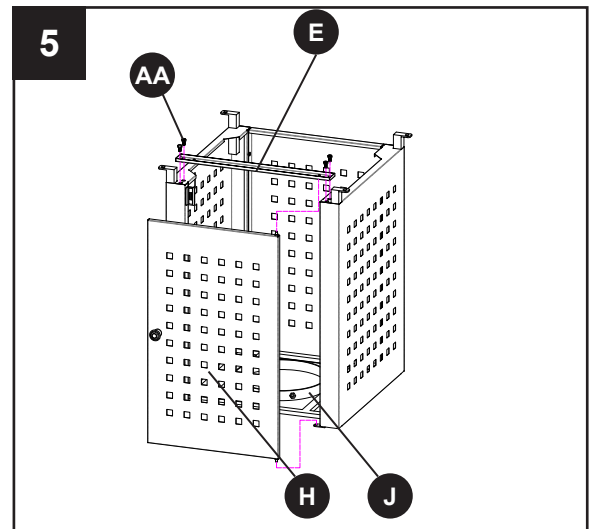
- | | | | |
|-----------|--------------------------|-----------------------------------------------------------------------------------|-----|
| BB | Vis M4 x 6 mm |  | x 1 |
| DD | Rondelle $\varnothing 4$ |  | x 1 |
| EE | Tournevis cruciforme |  | |



5. Insérez la tige inférieure de la porte (H) dans le trou de la plaque de fond (J). Tenez la porte en place, et placez le support (E) au-dessus de la porte, comme illustré à la figure 5. Fixez le support de la porte (E) aux panneaux latéraux gauche et droit (F et M) à l'aide de quatre boulons M6 x 12 mm (AA). Serrez avec le tournevis (EE).



Matériel utilisé

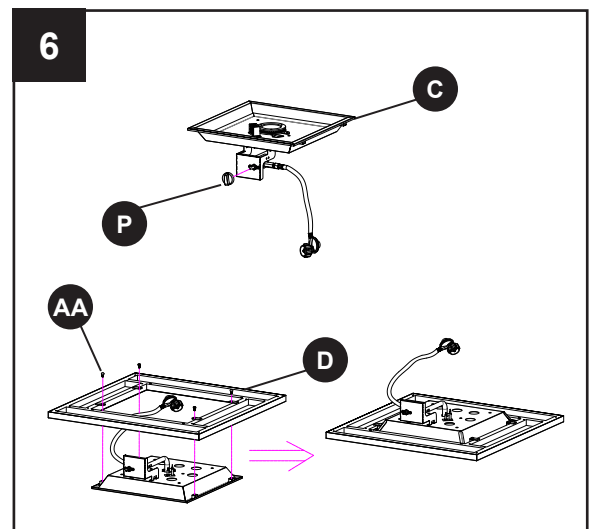
- | | | | |
|-----------|----------------------|-------------------------------------------------------------------------------------|-----|
| AA | Boulon M6 x 12 mm |  | x 4 |
| EE | Tournevis cruciforme |  | |



6. Retirez le bouton de commande (P) du brûleur (C) et mettez-le de côté. Déposez le brûleur (C) à l'envers sur une surface douce, comme un tapis ou une couverture pour éviter de le graffier. Mettez le plateau (D) à l'envers et déposez-le sur le dessus du brûleur (C) posé à l'envers sur la surface. Alignez les trous sur le plateau (D) avec les trous pour les vis du brûleur (C). Fixez à l'aide de quatre boulons M6 x 12 mm (AA) comme illustré à la figure 6. Serrez avec le tournevis (EE).

Matériel utilisé

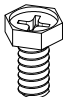
- | | | | |
|-----------|----------------------|-------------------------------------------------------------------------------------|-----|
| AA | Boulon M6 x 12 mm |  | x 4 |
| EE | Tournevis cruciforme |  | |




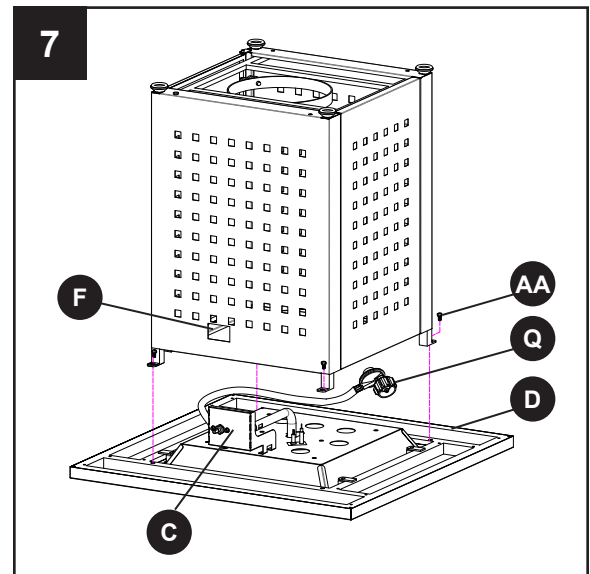
INSTRUCTIONS D'ASSEMBLAGE

7. Après l'assemblage, tournez la base à l'envers. Insérez la tige de la vanne du brûleur (C) dans le trou carré du panneau latéral gauche (F). Le régulateur (Q) doit demeurer à l'intérieur de la base au cours de l'installation. Ne laissez PAS la base s'appuyer sur le régulateur (Q) au cours de l'installation. Fixez la base au plateau (D) à l'aide de quatre boulons M6 x 12 mm (AA) comme illustré à la figure 7. Serrez avec le tournevis (EE).

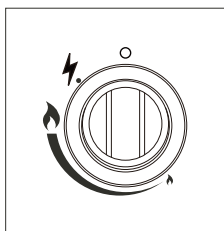
Matériel utilisé

AA Boulon M6 x 12 mm  x 4

EE Tournevis cruciforme 



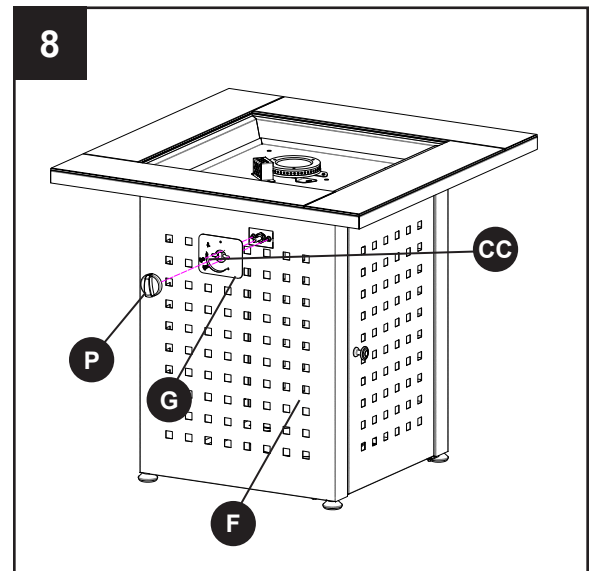
8. Attachez le panneau de contrôle (G) au panneau latéral gauche (F) à l'aide de deux vis M5 x 8 mm (CC). Serrez avec le tournevis (EE). Puis fixez le bouton de commande (P) au panneau de contrôle (G) comme illustré à la figure 8. Tournez le bouton de commande (P) à la position « ARRÊT » (o), comme illustré ci-dessous.



Matériel utilisé

CC Vis M5 x 8 mm  x 2

EE Tournevis cruciforme 



INSTRUCTIONS D'ASSEMBLAGE

9. Videz un paquet de roches en verre (K) au-dessus du brûleur. Ne versez pas de roches en verre (K) sur l'écran d'allumage. Portez des gants de protection lors de la manipulation des roches en verre.

⚠ AVERTISSEMENT

NE RECOUVREZ PAS L'ÉCRAN D'ALLUMAGE lorsque vous placez les roches en verre dans la vasque de feu. Faites en sorte que l'écran d'allumage soit toujours visible. Cet écran doit être propre et exempt de toute obstruction en tout temps afin d'assurer une utilisation appropriée de l'appareil.



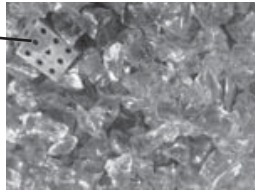
CORRECTE



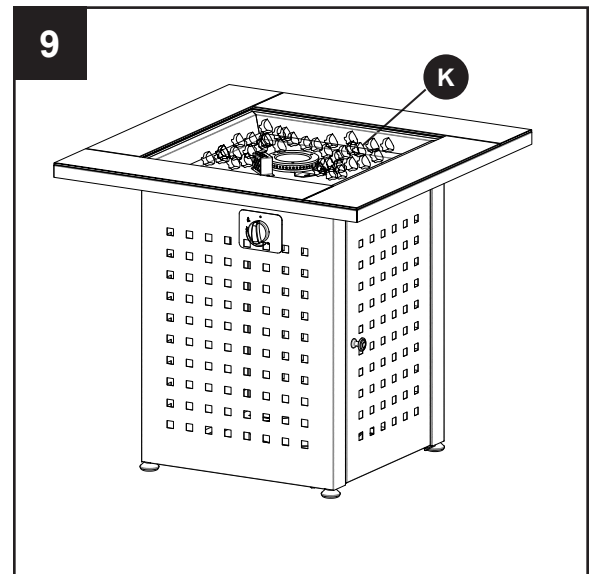
INCORRECTE

Écran

Ne placez pas de roches en verre sur l'écran. Gardez l'écran dégagé.



Le brûleur de la vasque de feu doit être entièrement recouvert de roches en verre en tout temps, afin d'éviter que la flamme ne s'éteigne. Consultez les figures CORRECTE et INCORRECTE à des fins de référence.



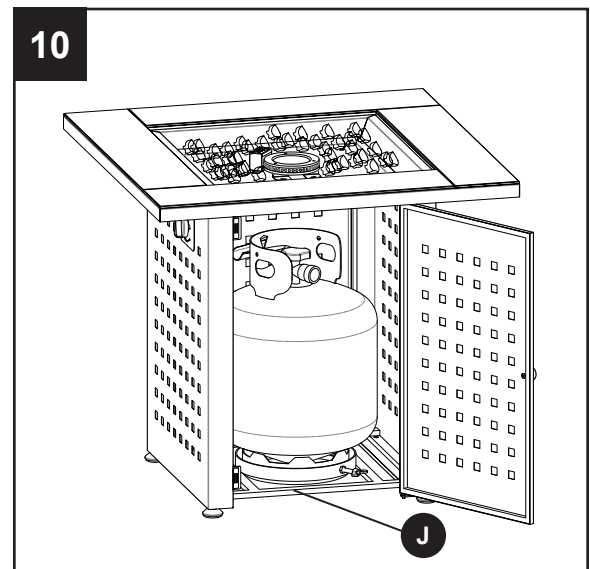
⚠ MISE EN GARDE

ROCHES EN VERRE

Portez des gants de protection lors de la manipulation des roches en verre.

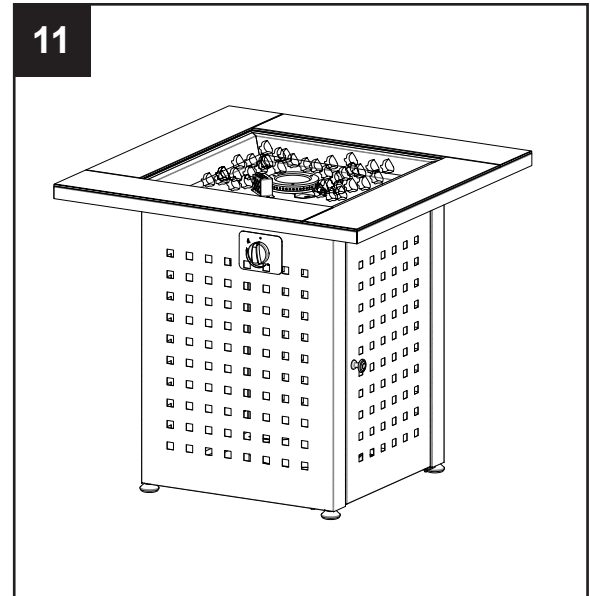
1. N'allumez et n'utilisez pas l'unité au propane si les roches en verre sont mouillées. Assurez-vous que les roches en verre sont complètement sèches avant d'allumer l'appareil, car une chaleur intense pourrait les faire craquer.
2. Les roches en verre peuvent percuter le visage ou les yeux d'une personne lors de la première mise en marche de cet appareil. Éloignez-vous de l'appareil pendant les 20 premières minutes suivant la mise en marche.

10. Placez la bouteille de propane à l'intérieur de l'appareil, sur la plaque de fond (J).



INSTRUCTIONS D'ASSEMBLAGE

11. L'installation complète du foyer est terminée.

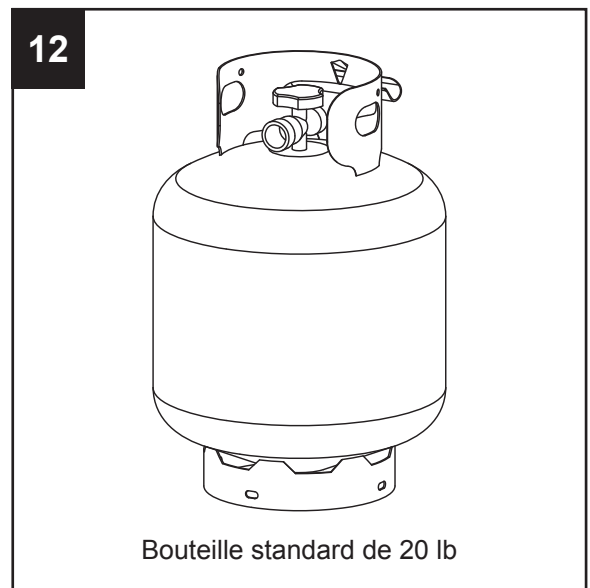


ATTENTION : CE PRODUIT N'EST PAS DESTINÉ À UN USAGE COMMERCIAL. DESTINÉ À UN USAGE DOMESTIQUE UNIQUEMENT.

**Portez des gants de protection lors de la manipulation des roches en verre.
Ne vous assoyez pas et ne montez pas sur cette table.
Ne laissez pas les enfants s'approcher lors de l'assemblage. Ce produit contient des pièces de petite taille que les enfants peuvent avaler par erreur.
N'utilisez pas cet appareil à l'intérieur d'un bâtiment ou dans un espace fermé.
Conservez les instructions d'assemblage à des fins de référence future.
Installateur : Veuillez laisser ces instructions au propriétaire.**

12. Utilisez uniquement des bouteilles de 20 lb (environ 18 ¼ po de hauteur et 12 ¼ po de diamètre) équipées d'un système de raccordement à la bouteille qui est compatible avec le régulateur du tuyau fourni avec l'appareil. Le propane et la bouteille sont vendus séparément.

Une bouteille de propane bosselée, rouillée ou abîmée peut présenter un danger et doit être vérifiée par son fournisseur. N'utilisez jamais une bouteille de propane avec une vanne de raccordement endommagée.



INSTRUCTIONS D'ASSEMBLAGE

La bouteille de propane doit être fabriquée et identifiée selon les spécifications sur les bouteilles à gaz du département des Transports des États-Unis (DOT) ou selon la norme CAN/CSA-B339 intitulée « Bouteilles à gaz cylindriques et sphériques et tubes pour le transport des marchandises dangereuses » des Normes nationales du Canada et selon la Commission.

La bouteille doit être munie d'un dispositif de protection antidébordement approuvé.

La bouteille doit être équipée d'un système de raccordement compatible avec le système de raccordement de l'appareil.

Ne raccordez jamais une bouteille de propane non réglementée à l'appareil.

La bouteille doit être munie d'un collet servant à protéger la vanne de la bouteille. Il ne faut pas faire tomber ou manipuler brusquement la bouteille de propane.

La bouteille de GPL doit être débranchée si cet appareil n'est pas utilisé. L'entreposage d'un appareil à l'intérieur est permis **UNIQUEMENT** si la bouteille est déconnectée et retirée de l'appareil. Les bouteilles doivent être entreposées à l'extérieur, hors de la portée des enfants. Elles ne doivent pas être entreposées dans un bâtiment, un garage ou tout autre espace fermé. Votre bouteille ne doit jamais être entreposée dans un lieu où la température peut atteindre plus de 51,5 °C/125 °F.

INSTRUCTIONS D'ASSEMBLAGE

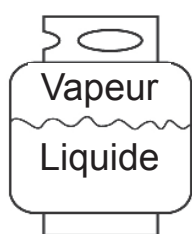
Pression d'alimentation de gaz maximale à l'entrée : 250 lb/po² (1750 kPa). Pression d'alimentation de gaz minimale à l'entrée : 5 lb/po² (35 kPa).

Placez un capuchon antipoussière sur la sortie de vanne de la bouteille quand celle-ci n'est pas utilisée. Installez uniquement le type de capuchon antipoussière qui est fourni avec la vanne de la bouteille. D'autres types de capuchons ou de bouchons peuvent entraîner des fuites de propane.

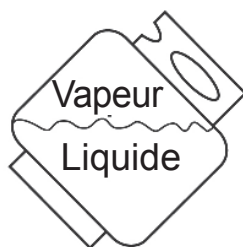
N'obstruez PAS la sortie de gaz et l'entrée d'air du foyer.

La bouteille de propane doit être positionnée de façon à ce que la vapeur puisse s'échapper, et être équipée d'un dispositif de protection antidébordement approuvé. Veuillez bien orienter la bouteille pour permettre à la vapeur de s'échapper.

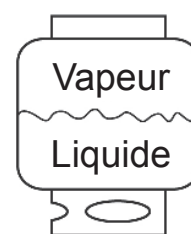
REMARQUE : La bouteille doit être en position verticale complète pour permettre seulement à la vapeur de s'échapper.



CORRECTE



INCORRECTE



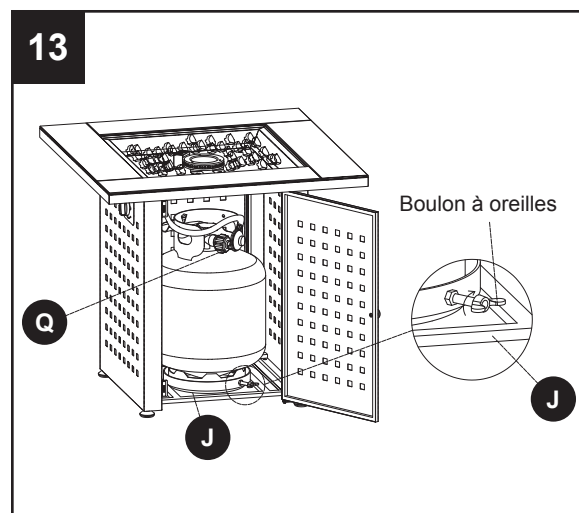
INCORRECTE

⚠ MISE EN GARDE

- N'entreposez pas de bouteilles de propane supplémentaires sous l'appareil ou près de celui-ci.
- Ne remplissez jamais la bouteille à plus de 80 % de sa capacité.
- Il est important de bien suivre les instructions données en a) et b) afin d'éviter un incendie ou des blessures graves ou mortelles.

Le régulateur de pression et le tuyau fournis avec l'appareil doivent être utilisés. L'installation doit être conforme aux codes locaux ou, en l'absence de codes locaux, au code ANSI A223.1/NFPA 54 intitulé « National Fuel Gas Code » (code national des gaz combustibles), au code CSA B149.1 intitulé « Code d'installation du gaz naturel et du propane » ou au code CSA B149.2 intitulé « Code sur le stockage et la manipulation du propane ».

- Avant de raccorder la bouteille, assurez-vous qu'il n'y a pas de débris coincés dans la sortie de la bouteille de propane, le entrée de la vanne de régulation ou la sortie et les orifices du brûleur. Assurez-vous que la vanne de la bouteille de propane est fermée. Ensuite, connectez la bouteille de propane avec le régulateur (Q) comme illustré à la figure 13. Fixez la bouteille de propane en place en serrant le boulon à oreilles.





INSTRUCTIONS DE FONCTIONNEMENT

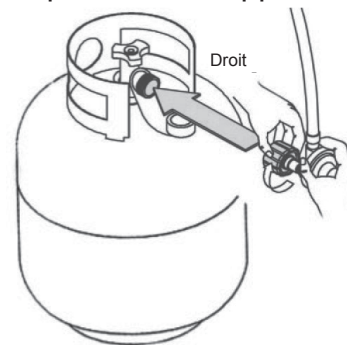
Avant de raccorder la bouteille, assurez-vous qu'il n'y a pas de débris coincés dans la sortie de la bouteille de propane, le entrée de la vanne de régulation ou la sortie et les orifices du brûleur. Maintenez la vanne de la bouteille de propane fermée et déconnectez la bouteille de propane de la vanne de régulation quand le foyer n'est pas en marche.


⚠ AVERTISSEMENT

TOUTES LES DIRECTIVES ET LES MISES EN GARDE SUR CETTE PAGE DOIVENT ÊTRE SUIVIES POUR ÉVITER UN INCENDIE, DES DOMMAGES ET DES BLESSURES.

CONNECTER LA BOUTEILLE DE PROPANE

1. La vanne de la bouteille de propane doit être fermée. Assurez-vous de la tourner dans le sens des aiguilles d'une montre  jusqu'à ce qu'elle se bloque entièrement. Le système d'alimentation de la bouteille doit être positionné de façon à ce que la vapeur puisse s'échapper.
2. Vérifiez que le bouton de commande de l'unité de commande est éteint.
3. Retirez le capuchon protecteur de la vanne de la bouteille de propane et de l'écrou de fixation.
4. Tenez le régulateur d'une main pendant que vous insérez le raccord fileté dans la sortie de vanne. Assurez-vous que le raccord fileté est centré par rapport à la sortie de vanne. L'écrou de fixation doit être en contact avec le filet large externe de la sortie de vanne. Manipulez avec précaution – ne faussez pas le filetage.
5. Resserrez l'écrou de fixation à la main dans le sens des aiguilles d'une montre  jusqu'à ce qu'il soit bien serré. Resserrez fermement à la main uniquement. N'utilisez pas d'outils.



Pour déconnecter la bouteille : Fermez complètement la vanne de la bouteille en la tournant dans le sens des aiguilles d'une montre . Tournez également l'écrou de fixation dans le sens contraire des aiguilles d'une montre  jusqu'à ce que le régulateur se détache.

⚠ AVERTISSEMENT

Lors du raccordement de la bouteille de propane, assurez-vous que :

- le raccord d'admission du régulateur est correctement connecté à la sortie de vanne de la bouteille, fermement et en toute sécurité, et que;
- le tuyau de propane n'est pas en contact avec le brûleur.

DÉCELER DES FUITES DE GAZ

Après la mise en place de tous les raccordements, vérifiez qu'il n'y a aucune fuite au niveau de la vanne de la bouteille de propane, du tuyau de la bouteille, du tuyau à gaz et du régulateur à l'aide d'une solution à base d'eau savonneuse.

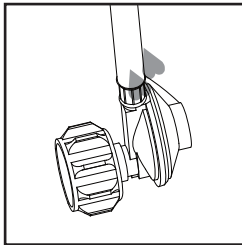
Pour empêcher tout incendie ou toute explosion lorsque vous vérifiez la présence d'une fuite :

- Effectuez toujours un essai d'étanchéité avant d'allumer le foyer.
- Ne fumez pas à proximité de l'appareil lorsque vous effectuez un essai d'étanchéité.
- Effectuez toujours les essais d'étanchéité à l'extérieur et dans un endroit aéré.
- N'utilisez aucune source de chaleur ou flamme pour déceler une fuite potentielle.
- N'utilisez pas le foyer jusqu'à la complète résolution des problèmes d'étanchéité.
- Si vous ne pouvez pas réparer une fuite, déconnectez la bouteille de propane et appelez un fournisseur d'appareils à gaz.

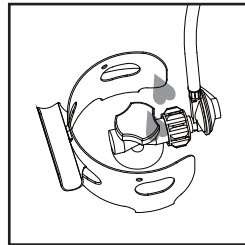
ESSAI D'ÉTANCHÉITÉ

⚠ AVERTISSEMENT

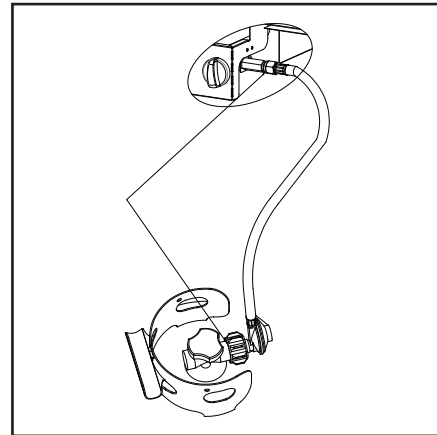
- Effectuez toujours les essais à l'extérieur.
- Éteignez toute flamme nue.
- Ne fumez JAMAIS à proximité de l'appareil lors de l'essai.
- N'utilisez pas le foyer jusqu'à ce que tous les raccordements de gaz aient été vérifiés puis prouvés étanches.



Raccordement
tuyau/régulateur



Raccordement
régulateur/
bouteille



1. Préparez une solution de 2 ou 3 oz pour l'essai d'étanchéité ($\frac{1}{4}$ de savon à vaisselle liquide et $\frac{3}{4}$ d'eau).
2. Versez la solution dans un flacon pulvérisateur.
3. Assurez-vous que la vanne de la bouteille et la vanne de commande sont fermées.
4. Appliquez quelques gouttes de la solution au point d'ancrage du tuyau sur le régulateur.
5. Appliquez quelques gouttes de la solution au point d'ancrage du régulateur sur la bouteille.
6. Ouvrez la vanne de la bouteille.

Si des bulles apparaissent à un raccordement, c'est qu'il y a une fuite.

1. Fermez la vanne de la bouteille.
2. Si la fuite est au niveau du raccordement entre le tuyau et le régulateur, serrez le raccordement et refaites un essai d'étanchéité. Si des bulles apparaissent de nouveau, retournez le tuyau à votre lieu d'achat.
3. Si la fuite est au niveau du raccordement entre le régulateur et la vanne de la bouteille, déconnectez et reconnectez les composants, puis refaites un essai d'étanchéité. Si des bulles apparaissent de nouveau après avoir essayé cette manœuvre plusieurs fois, cela veut dire que la vanne de la bouteille est défectueuse et que vous devez la retourner à votre lieu d'achat.

S'il n'y a PAS de bulles à aucun raccordement, cela signifie que les raccordements sont sécuritaires.

Remarque : Chaque fois que vous rebranchez l'appareil après avoir desserré ou débranché les points de connexion, vous devez effectuer un nouvel essai d'étanchéité.

Installation terminée.

⚠ DANGER

N'UTILISEZ JAMAIS UN BRIQUET OU UNE FLAMME POUR VÉRIFIER S'IL Y A DES FUITES DE GAZ.

INSTRUCTIONS DE FONCTIONNEMENT

Remarque : D'autres bouteilles peuvent être utilisées avec cet appareil pourvu qu'elles aient le même profil et les mêmes dimensions pour être compatibles avec le range-bouteille et le système de rétention.

Mise en garde : N'essayez pas de faire fonctionner le foyer avant d'avoir lu et compris toutes les consignes générales de sécurité présentées dans le présent guide et avant d'avoir terminé l'assemblage et effectué les essais d'étanchéité.

Avant d'ouvrir l'alimentation en gaz :

1. Votre foyer a été conçu et approuvé pour une utilisation extérieure seulement. N'utilisez PAS cet appareil dans un bâtiment, un garage ou tout autre espace fermé.
2. Assurez-vous que les zones avoisinantes sont exemptes de matériaux combustibles, d'essence et d'autres vapeurs ou liquides inflammables.
3. Assurez-vous que les conduits d'aération ne sont pas obstrués. Assurez-vous que tous les raccordements de gaz sont bien serrés et qu'il n'y a pas de fuites.
4. Assurez-vous que le couvercle de la bouteille est exempt de tout débris. Assurez-vous que tout composant enlevé lors de l'installation ou de l'entretien est remplacé et bien fixé avant d'allumer l'appareil.

⚠ AVERTISSEMENT

Toute tentative d'allumage doit être faite conformément à la section « Instructions d'allumage ». Toute tentative d'allumage qui ne respecte pas ces instructions pourrait entraîner des blessures graves ou une explosion.

Avant d'allumer :

1. Le foyer doit être soigneusement inspecté avant chaque utilisation et au moins une fois par année par un technicien qualifié. Si vous rallumez un foyer encore chaud, attendez toujours au moins cinq minutes.
2. Inspectez les tuyaux pour vérifier qu'il n'y a pas de signes de dégradation ou d'usure excessive ni de coupures. Les zones suspectes devraient être testées pour s'assurer qu'il n'y a pas de fuites. Si le tuyau fuit, il doit être remplacé avant de mettre l'appareil en marche. Utilisez uniquement le tuyau de rechange précisé par le fabricant.

Allumage :

1. Réglez le bouton de commande à la position « ARRÊT » (○) [Figure A].
2. Ouvrez complètement la vanne de la bouteille de propane.
3. Appuyez sur le bouton de commande du gaz et faites-le tourner dans le sens contraire des aiguilles d'une montre à « ALLUMEUR » (⚡) [Figure B] pour allumer le foyer. Si nécessaire, continuez à appuyer sur le bouton de commande et à le tourner dans le sens contraire des aiguilles d'une montre jusqu'à ce que le foyer s'allume (vous devriez entendre un clic).
4. Une fois que le foyer est allumé, relâchez le bouton de commande. Enfoncez et faites tourner le bouton vers « FORTE INTENSITÉ » (🔥) [Figure C], puis relâchez-le. Si vous souhaitez une température plus basse, appuyez sur le bouton de commande et faites-le tourner dans le sens contraire des aiguilles d'une montre à « FAIBLE INTENSITÉ » (⋄).

Remarque : Si le brûleur ne reste pas allumé, toutes les vannes doivent être fermées et il faut attendre au moins cinq minutes avant de retenter l'allumage.

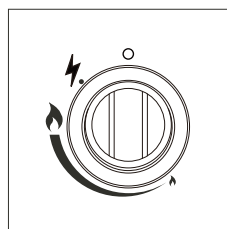


Figure A

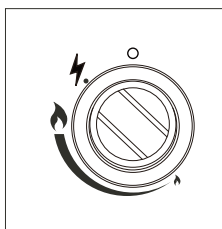


Figure B

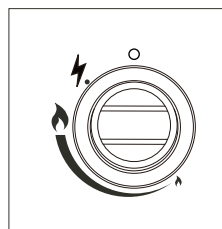


Figure C

⚠ AVERTISSEMENT

POUR VOTRE SÉCURITÉ

Faites attention lorsque vous essayez d'allumer ce foyer manuellement. Si vous tenez enfoncé le bouton de commande pendant plus de dix secondes avant d'allumer le gaz, une boule de flammes se créera lorsque vous allumerez le foyer.

Quand le foyer est allumé :

Des flammes bleues et jaunes apparaîtront sur le brûleur. Ces flammes ne doivent pas être jaunes, ni produire une épaisse fumée noire. Cela indiquerait qu'il y a un problème de circulation de l'air dans le brûleur.

Les flammes doivent être bleues avec des pointes jaunes. Si vous apercevez trop de jaune, éteignez la bouteille de propane et le foyer, puis reportez-vous à la section « Entretien et maintenance » de la page 81.

Lorsque le foyer extérieur est allumé, la flamme normale (d'intensité élevée à faible) devrait être similaire à la représentation ci-dessous [Figure D].

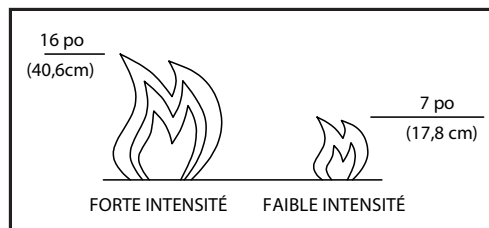


Figure D

Rallumage :

1. Tournez le bouton de commande en position « ARRÊT » (○).
2. Répétez les étapes d'allumage de la page précédente.
3. Si vous rallumez un foyer encore chaud, attendez toujours au moins cinq minutes.

⚠ AVERTISSEMENT

POUR VOTRE SÉCURITÉ

Le foyer sera chaud après l'utilisation. Manipulez-le avec extrême précaution.

Éteindre le brûleur :

Appuyez sur le bouton de commande et mettez-le en position « ARRÊT » (○).

Déconnectez la bouteille de propane :

1. Assurez-vous que le bouton de commande est en position « ARRÊT » (○) et attendez 45 minutes jusqu'à ce que l'appareil se refroidisse.
2. Éteignez la vanne de la bouteille, puis déconnectez le régulateur du tuyau de la bouteille.
3. Entreposez la bouteille dans un endroit approprié.

INSTRUCTIONS DE FONCTIONNEMENT

Liste de vérification pour un bon fonctionnement

Pour profiter d'une chaleur plaisante en toute sécurité, vérifiez que les conditions suivantes sont remplies avant de commencer à utiliser l'appareil.

Avant l'utilisation :

1. J'ai lu et compris le guide de l'utilisateur et j'ai pris toutes les précautions nécessaires.
2. Les pièces sont intactes, fonctionnelles et correctement assemblées.
3. Aucune modification n'a été faite.
4. Les raccordements de gaz sont sécuritaires et ne fuient pas.
5. La vitesse du vent est inférieure à 16 km/h (10 mi/h).
6. L'appareil aura un rendement plus faible s'il est utilisé à une température inférieure à 4 °C/40 °F.
7. Le foyer se trouve à l'extérieur (en dehors de tout espace fermé).
8. Le foyer se trouve dans un espace qui possède un système de ventilation adéquat.
9. Aucune essence ou autre liquide ou vapeur inflammable ne se trouve à proximité du foyer.
10. Le foyer est positionné à distance des fenêtres, des conduits d'aération, des arroseurs et d'autres sources d'eau et d'humidité.
11. Tout matériel combustible se trouve à au moins 60,96 cm/24 po des bords de l'appareil et 152,4 cm/60 po du dessus de l'appareil.
12. Le foyer est placé sur une surface dure et nivelée.
13. Il n'y a aucun nid d'araignées ou d'autres insectes à proximité du foyer.
14. Les conduits du brûleur sont dégagés.
15. Les passages d'air sont dégagés.
16. **Les enfants et les adultes doivent être avertis des dangers que comportent les surfaces à haute température et s'en tenir loin pour éviter les brûlures de la peau et des vêtements.**
17. **Les jeunes enfants doivent être supervisés attentivement lorsqu'ils sont dans la zone près de l'appareil.**
18. **N'étendez pas de linge ni de tissu de protection sur le foyer ainsi que dans l'espace qui l'entoure.**
19. **Toute protection ou autre dispositif de sécurité qui a été retiré pour l'entretien de l'appareil doit être replacé avant son utilisation.**
20. **L'installation et la réparation doivent être confiées à un technicien qualifié.**
L'appareil
devrait être inspecté avant son utilisation et au moins une fois par année par un technicien qualifié.
21. **Il peut être nécessaire de nettoyer l'appareil plus fréquemment. Il est impératif de maintenir propres le logement des commandes, le brûleur et les passages d'air de l'appareil.**

Après utilisation :

1. La vanne de commande du gaz est en position « ARRÊT » (○).
2. La vanne de la bouteille de propane est en position « ARRÊT ».
3. Déconnectez le régulateur du tuyau de la bouteille de propane.

⚠ AVERTISSEMENT

POUR VOTRE SÉCURITÉ

- Ne touchez et ne déplacez PAS le foyer pendant au moins 45 minutes après son utilisation.

Pour que le foyer reste performant pendant de nombreuses années, entretenez-le régulièrement de la façon suivante :

Maintenez les surfaces externes propres.

1. Utilisez de l'eau savonneuse tiède pour nettoyer l'appareil. N'utilisez jamais d'agent nettoyant inflammable ou corrosif.
2. Lors du nettoyage de votre foyer, assurez-vous que l'espace autour du brûleur reste sec à tout moment. N'immergez pas la vanne de commande. N'utilisez PAS la commande du gaz si celle-ci a été immergée.
Elle doit alors être remplacée.
 - a. Gardez la zone du foyer exempte de matériaux combustibles, d'essence et d'autres vapeurs et liquides inflammables.
 - b. N'obstruez pas la sortie de gaz et l'entrée d'air.
 - c. Les conduits d'aération de l'enceinte de la bouteille doivent être propres et exempts de tout débris.
3. Le passage de l'air ne doit pas être obstrué. Assurez-vous que les commandes, le brûleur et les passages d'air sont propres.
Les éléments suivants peuvent indiquer un signe d'obstruction :
 - Il y a une odeur de gaz accompagnée d'une flamme dont l'extrémité est d'un jaune intense.
 - Le foyer n'atteint PAS la température désirée.
 - La lueur provenant du foyer est anormalement inégale.
 - Le foyer émet des bruits de craquement.
 - Des araignées et des insectes peuvent avoir fait leur nid dans le brûleur ou un orifice. Cela peut endommager le foyer et rendre son utilisation non sécuritaire. Nettoyez les trous du brûleur en utilisant un puissant nettoyant pour tuyaux. Faites un nettoyage à air comprimé, au besoin, pour vous débarrasser des petites particules.
 - Les dépôts de carbone peuvent entraîner un risque d'incendie. Nettoyez le dôme et le brûleur avec de l'eau chaude et savonneuse si des dépôts de carbone s'y accumulent.
4. Inspectez le brûleur aux intervalles recommandés par le fabricant. S'il est évident que le brûleur est endommagé, celui-ci doit être remplacé avant de mettre l'appareil en marche. Utilisez seulement le brûleur de rechange recommandé par le fabricant.



Remarque : Un environnement salin (près d'un océan, par exemple) peut entraîner la corrosion prématurée de votre foyer. Vérifiez régulièrement que l'appareil n'est pas corrodé et remplacez rapidement les pièces touchées au besoin.

CONSEIL :

Utilisez une graisse automobile de haute qualité pour entretenir la belle apparence de votre foyer.

ENTRETIEN ET MAINTENANCE

Entreposage

Entre chaque utilisation :

- Fermez la vanne de commande et la vanne de la bouteille.
- Déconnectez le régulateur du tuyau de la bouteille de propane.
- Entrez le foyer en position verticale dans une zone à l'abri des intempéries (telles que la pluie, la giboulée, la neige, la poussière et les débris).
- Si vous le souhaitez, recouvrez le foyer afin d'en protéger l'extérieur et d'empêcher l'accumulation de débris dans les passages d'air.

Remarque : Attendez que le foyer se soit refroidi avant de le recouvrir.

Lors de longues périodes d'inactivité ou du transport de l'appareil :

- Fermez la vanne de commande et la vanne de la bouteille.
- Déconnectez le régulateur du tuyau et rangez la bouteille de propane à l'extérieur dans un endroit sûr et bien aéré.
- Entrez le foyer en position verticale dans une zone à l'abri des intempéries (telles que la pluie, la giboulée, la neige, la poussière et les débris).
- Si vous le souhaitez, recouvrez le foyer afin d'en protéger l'extérieur et d'empêcher l'accumulation de débris dans les passages d'air. Ne laissez jamais une bouteille de propane exposée aux rayons du soleil ou à toute autre source de chaleur.

Remarque : Attendez que le foyer se soit refroidi avant de le recouvrir.

Réparation

Seul un technicien qualifié peut effectuer les réparations sur les conduits de gaz et les pièces associées.

Mise en garde : Attendez toujours que le foyer se refroidisse avant de commencer les réparations.

Mise en garde : Ne placez jamais la housse sur le foyer extérieur lorsqu'il est allumé. Laissez refroidir le foyer extérieur avant de le recouvrir avec la housse.

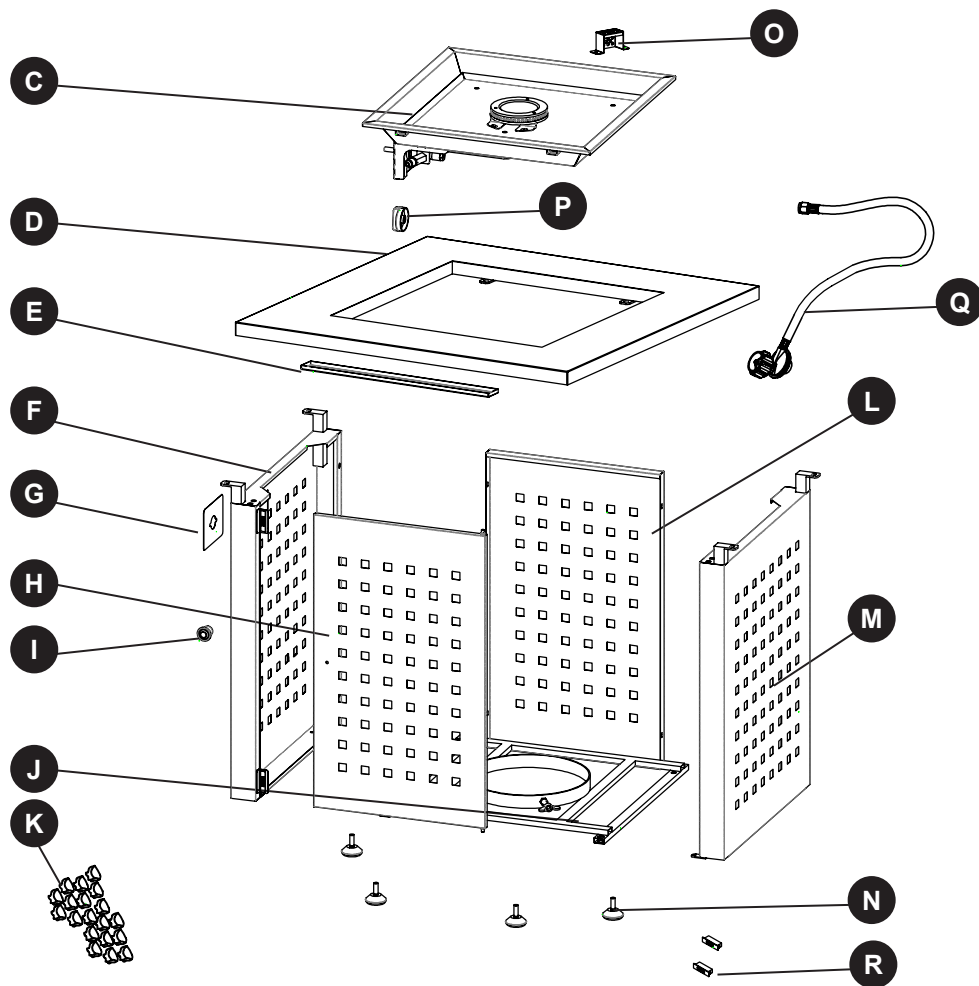
GARANTIE LIMITÉE D'UN AN

Si, au cours d'une période d'un an à compter de la date originelle de l'achat, cet article s'avère défectueux en raison d'un défaut de matériau ou de fabrication, nous nous engageons à le remplacer ou à le réparer, à notre discrétion, sans frais. Pour commander des pièces ou pour obtenir un service sous garantie, appelez au 1 877 447-4768, entre 8 h 30 et 16 h 30 (HNC), du lundi au vendredi. La présente garantie ne couvre pas les défauts résultant d'une utilisation non conforme ou anormale, d'une mauvaise utilisation, d'un accident ou d'une modification. Omettre de suivre toutes les instructions contenues dans le présent guide annule aussi cette garantie. Le fabricant ne sera en aucun cas tenu responsable pour tout dommage consécutif ou indirect et pour toute érosion normale des produits d'extérieur. Les lois en vigueur dans certains États, provinces ou territoires n'autorisent pas l'exclusion ou la limitation des dommages consécutifs ou indirects et, par conséquent, la clause de limitation énoncée ci-dessus pourrait ne pas s'appliquer à vous. La présente garantie vous accorde des droits spécifiques reconnus par la loi et vous bénéficiez peut-être aussi d'autres droits, qui peuvent varier selon l'État, la province ou le territoire.

DÉPANNAGE

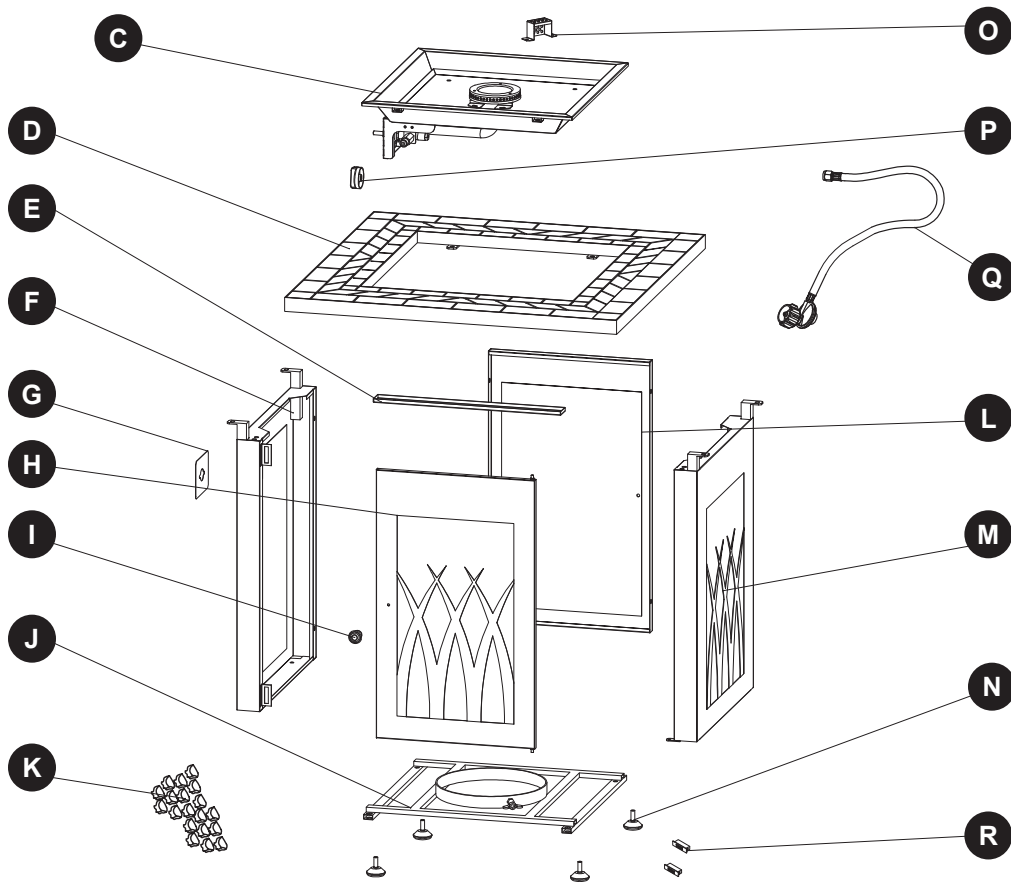
PROBLÈME	CAUSE POSSIBLE	SOLUTION
Le brûleur ne s'allume pas	La bouteille de propane est gelée	Attendez que la bouteille de propane se réchauffe et dégèle
	Il y a une obstruction quelque part	Retirez l'obstruction
	Le bouton de commande n'est pas en position « MARCHE »	Mettez le bouton de commande en position « MARCHE »
La flamme du brûleur est faible	La pression de gaz est basse	Fermez la vanne de la bouteille et remplacez la bouteille
	La température extérieure est inférieure à 4 °C/40 °F et la bouteille est remplie à moins de ¼.	Utilisez une bouteille pleine
	Le bouton de commande est correctement positionné sur « MARCHE »	Vérifiez que le brûleur fonctionne et que les ouvertures ne sont pas obstruées
Dépôt de carbone Épaisse fumée noire	L'écran d'allumage est obstrué par de la poussière ou une couche de saleté	Nettoyez l'écran d'allumage
	Le brûleur est obstrué	Retirez l'obstruction et nettoyez l'intérieur et l'extérieur du brûleur

LISTE DES PIÈCES DE RECHANGE POUR OFG012T



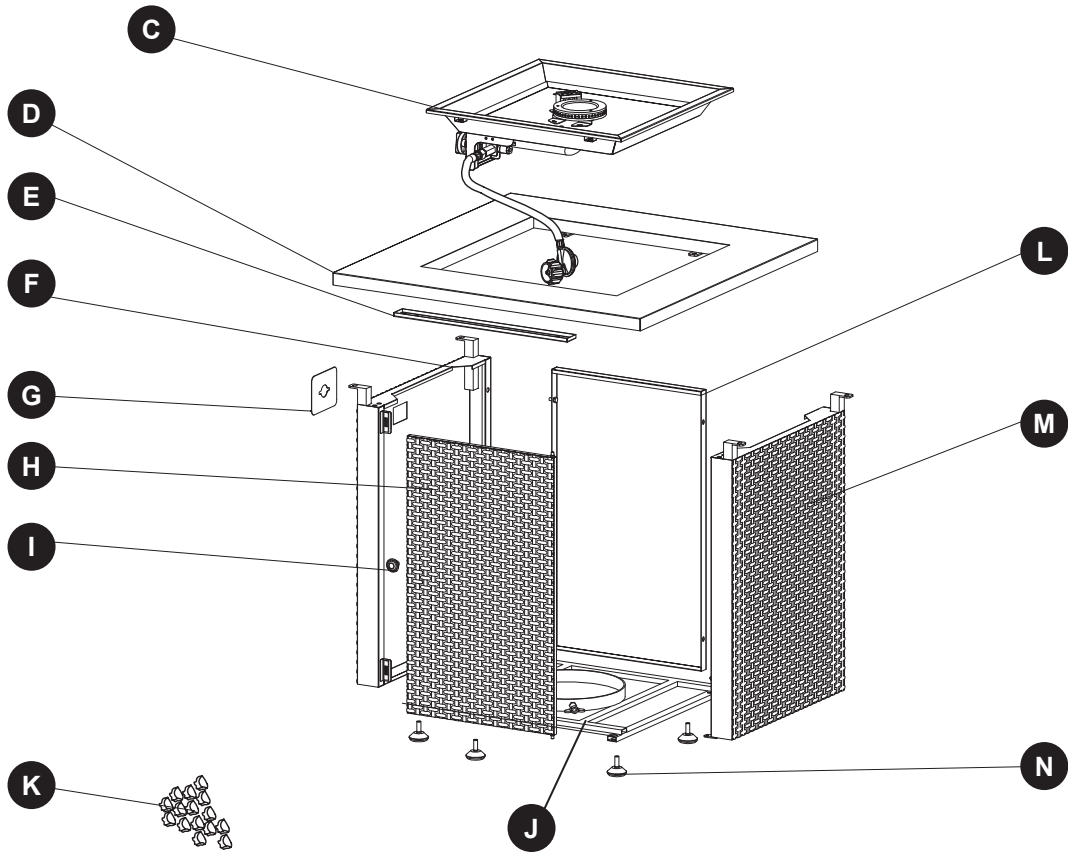
PIÈCE	DESCRIPTION	QTÉ	N° DE PIÈCE
C	Brûleur	1	30-06-400
D	Plateau en verre	1	30-06-401
E	Support de la porte	1	30-06-402
F	Panneau latéral gauche	1	30-06-403
G	Panneau de contrôle	1	30-06-404
H	Porte	1	30-06-405
I	Bouton	1	30-06-414
J	Plaque de fond	1	30-06-406
K	Roches en verre Bleu (un paquet)	1	30-06-407
L	Panneau arrière	1	30-06-408
M	Panneau latéral droit	1	30-06-409
N	Pied	4	30-06-410
O	Écran	1	30-06-411
P	Bouton de commande	1	30-06-328
Q	Régulateur	1	30-06-412
R	Aimants	2	30-06-413
HWP	Trousse de matériel	1	30-09-517
S.O.	Guide d'instruction	1	30-10-106

LISTE DES PIÈCES DE RECHANGE POUR OFG824T

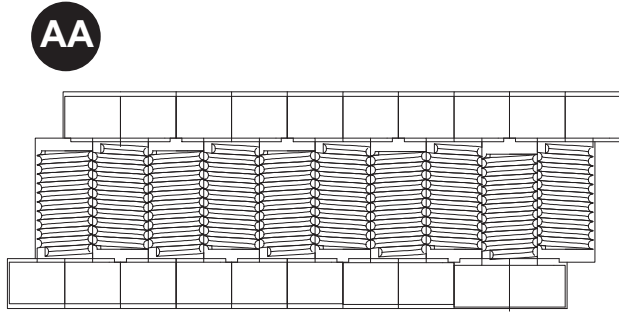


PIÈCE	DESCRIPTION	QTÉ	N° DE PIÈCE
C	Brûleur	1	30-06-400
D	Plateau	1	30-06-452
E	Support de la porte	1	30-06-416
F	Panneau latéral gauche	1	30-06-417
G	Panneau de contrôle	1	30-06-404
H	Porte	1	30-06-418
I	Bouton	1	30-01-056
J	Plaque de fond	1	30-06-406
K	Roches en verre Ambre (un paquet)	1	30-06-419
L	Panneau arrière	1	30-06-420
M	Panneau latéral droit	1	30-06-421
N	Pied	4	30-06-410
O	Écran	1	30-06-411
P	Bouton de commande	1	30-06-328
Q	Régulateur	1	30-06-412
R	Aimants	2	30-06-413
HWP	Trousse de matériel	1	30-09-517
S.O.	Guide d'instruction	1	30-10-106

LISTE DES PIÈCES DE RECHANGE POUR OFG007TF



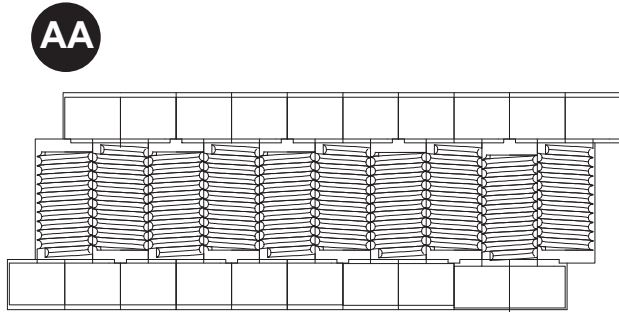
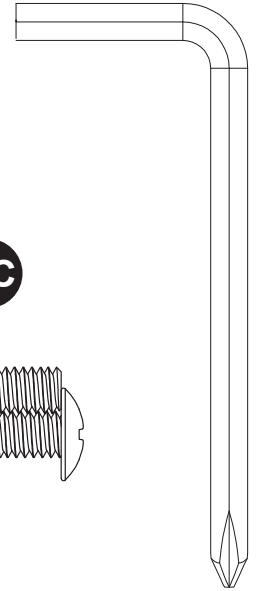
PIÈCE	DESCRIPTION	QTÉ	N° DE PIÈCE
C	Brûleur	1	30-06-483
D	Plateau	1	30-06-484
E	Support de la porte	1	30-06-485
F	Panneau latéral gauche	1	30-06-486
G	Panneau de contrôle	1	30-06-404
H	Porte	1	30-06-487
I	Bouton	1	30-01-056
J	Plaque de fond	1	30-06-406
K	Roches en verre Ambre (un paquet)	1	30-06-419
L	Panneau arrière	1	30-06-488
M	Panneau latéral droit	1	30-06-489
N	Pied	4	30-06-410
O	Écran	1	30-06-411
P	Bouton de commande	1	30-06-328
Q	Régulateur	1	30-06-412
R	Aimants	2	30-06-413
AA – DD	Trousse de matériel	1	30-09-517
S.O.	Guide d'instruction	1	30-10-106



DD



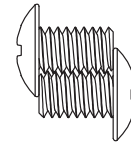
EE



BB



CC



GHP Group, Inc.
6440 W. Howard St.
Niles, IL 60714-3302 États-Unis
1 877 447-4768