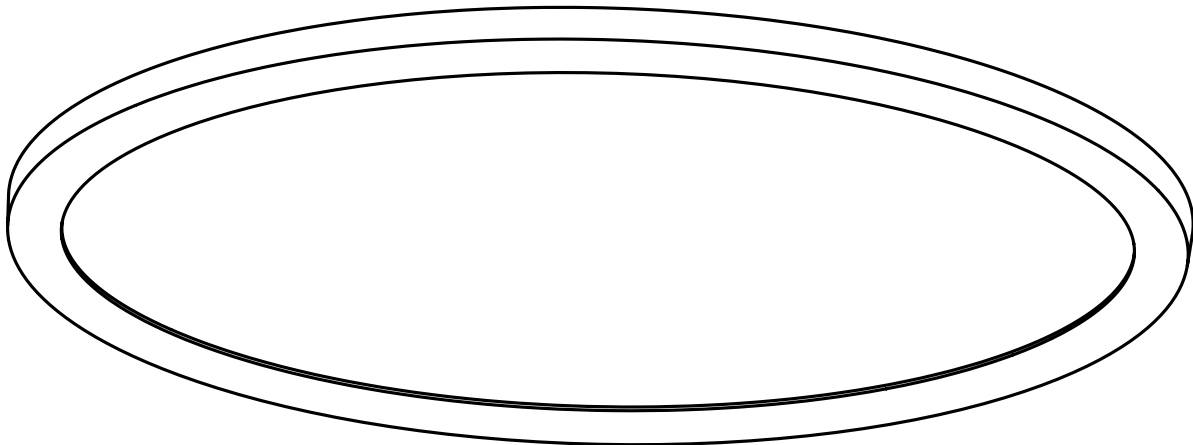




Item # 1003124386
1003124382
Model # 54326111
54327111

USE AND CARE GUIDE

LOW PROFILE EDGELIT CEILING LIGHT



Questions, problems, missing parts? Before returning to the store,
call Hampton Bay Customer Service
8 a.m. – 7 p.m., EST, Monday - Friday
9 a.m. - 6 p.m., EST, Saturday

1-855-HD-HAMPTON

HAMPTONBAY.COM



Intertek




THANK YOU


We appreciate the trust and confidence you have placed in Hampton Bay through the purchase of this LED light. We strive to continually create quality products designed to enhance your home. Visit us online to see our full line of products available for your home improvement needs. Thank you for choosing Hampton Bay!

Table of Contents

Table of Contents	2	Installation	4
Safety Information	2	Mounting to Drywall	4
Warranty	2	Mounting to Wood	7
Pre-Installation	3	Adjusting the Color Temperature of the Light	10
Planning Installation	3	Light Distribution	10
Tools Required	3	Care and Cleaning	11
Package Contents	3	Troubleshooting	11
Hardware Included	3		

Safety Information


 **WARNING:** Carefully read and understand the information given in this manual before beginning the assembly and installation. Failure to do so could lead to electric shock, fire, or other injuries which could be hazardous or even fatal.

 **WARNING:** Ensure the electricity to the wires you are working on is shut off. Either remove the fuse or turn off the circuit breaker.

NOTICE: This equipment has been tested and found to comply with the limits for a Class B digital device, pursuant to Part 15B of the FCC Rules. These limits are designed to provide reasonable protection against harmful interference in a residential installation. This equipment generates, uses and can radiate radio frequency energy, and if not installed and used in accordance with the instructions, may cause harmful interference to radio communications.

However, there is no guarantee that interference will not occur in a particular installation. If this equipment does cause harmful interference to radio or television reception, which can be determined by turning the equipment off and on, the user is encouraged to try to correct the interference by one or more of the following measures:

- Reorient or relocate the receiving antenna.
- Increase the separation between the equipment and the receiver.
- Connect the equipment into an outlet on a circuit different from that to which the receiver is connected.
- Consult the dealer or an experienced radio/TV technician for help.

 **WARNING:** Changes or modifications not expressly approved by the party responsible for compliance could void the user's authority to operate the equipment.

Warranty

WHAT IS COVERED

The manufacturer warrants this lighting fixture to be free from defects in materials and workmanship for a period of five (5) years from date of purchase. This warranty applies only to the original consumer purchaser and only to products used in normal use and service. If this product is found to be defective, the manufacturer's only obligation, and your exclusive remedy, is the repair or replacement of the product at the manufacturer's discretion, provided that the product has not been damaged through misuse, abuse, accident, modifications, alterations, neglect, or mishandling.

WHAT IS NOT COVERED

This warranty shall not apply to any product that is found to have been improperly installed, set-up, or used in any way not in accordance with the instructions supplied with the product. This warranty shall not apply to a failure of the product as a result of an accident, misuse, abuse, negligence, alteration, faulty installation, or any other failure not relating to faulty material or workmanship. This warranty shall not apply to the finish on any portion of the product, such as surface and/or weathering, as this is considered normal wear and tear.


The manufacturer does not warrant and specifically disclaims any warranty, whether express or implied, of fitness for a particular purpose, other than the warranty contained herein. The manufacturer specifically disclaims any liability and shall not be liable for any consequential or incidental loss or damage, including but not limited to any labor / expense costs involved in the replacement or repair of said product.

Contact the Customer Service Team at 1-855-HD-HAMPTON or visit www.HamptonBay.com.

Pre-Installation

PLANNING INSTALLATION

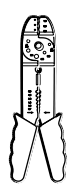
Before beginning assembly, installation or operation of the product, make sure all parts are present. Compare parts with the package contents list. If any part is missing or damaged, do not attempt to assemble, install or operate the product. Contact customer service for replacement parts.

 **NOTE:** Keep your receipt and these instructions for proof of purchase.

If you are unfamiliar with electrical installations, we recommend you contact a qualified electrician to do the installation.

 **NOTE:** Two people are recommended for the installation of this light fixture.

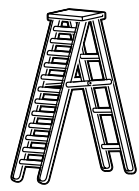
TOOLS REQUIRED



Wire Strippers



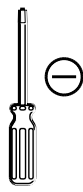
Safety Goggles



Ladder



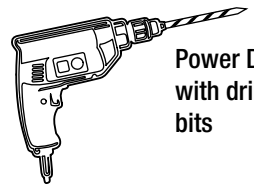
Gloves



Flathead Screwdriver



Phillips Screwdriver



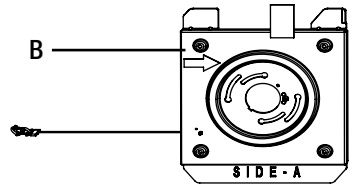
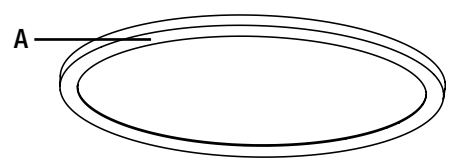
Power Drill with drill bits




Wire Cutters

PACKAGE CONTENTS

Part	Description	Quantity
A	Fixture Body	1
B	Mounting Bracket	1

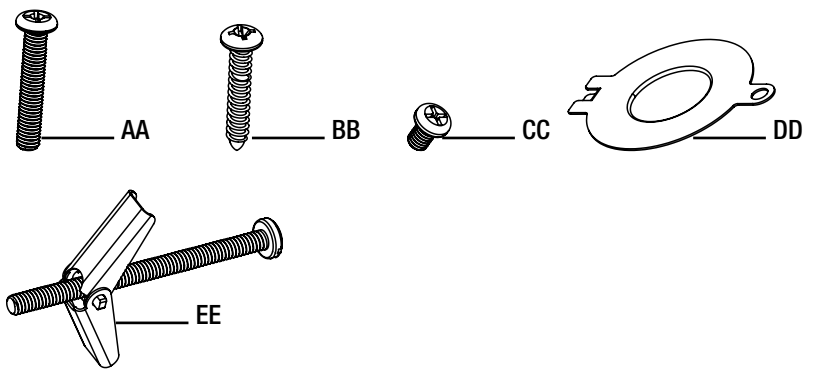


 **NOTE:** Shape and size of the mounting bracket (B) will vary with the shape and size of the fixture body (A).

HARDWARE INCLUDED

 **NOTE:** Hardware not shown to actual size.

Part	Description	Quantity
AA	Electrical Box Screw	2
BB	Wood Screw	4
CC	Wiring Ring Screw	1
DD	Metal Wiring Ring	1
EE	Toggle Bolt	4



Installation



WARNING: RISK OF ELECTRIC SHOCK. Ensure the electricity to the wires you are working on is shut off. Either remove the fuse or turn off the circuit breaker before removing the existing light fixture or installing the new one.

With the power disconnected to the electrical box, remove the existing fixture. Make a sketch of how the current fixture is wired (by wire color) or mark the wires with masking tape and a pencil so you will know how to properly reconnect the wires to the new LED light fixture.

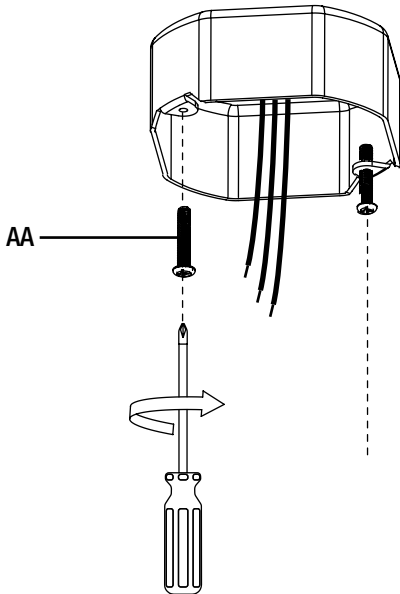


NOTE: Two people are recommended for the installation of this light fixture.

Mounting to Drywall

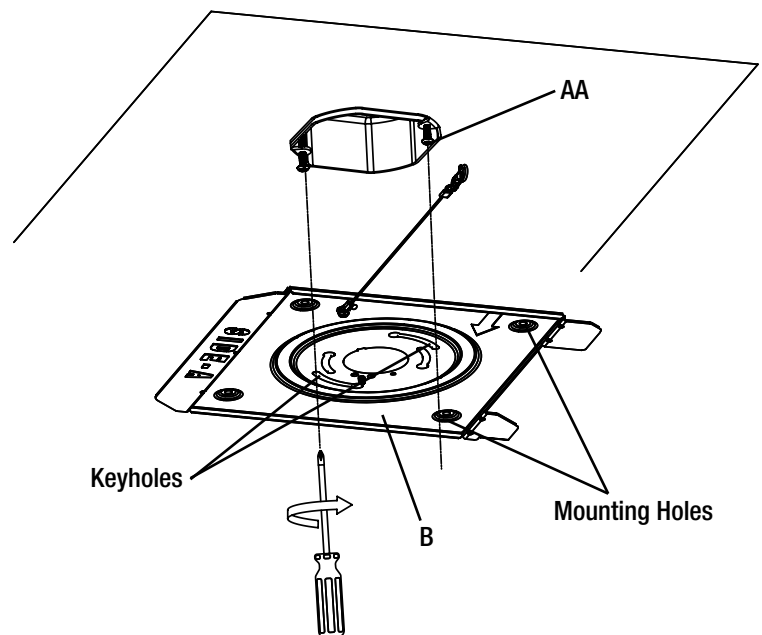
1 Attaching the electrical box screws to the electrical outlet box

- Attach the electrical box screws (AA) to the electrical outlet box, but do not tighten fully.



2 Marking the mounting surface for installation

- Position the mounting bracket (B) over the electrical outlet box, allowing the heads of the electrical box screws (AA) to come through the large ends of the keyholes.
- Turn the mounting bracket (B) so the heads of the electrical box screws (AA) slide into the narrow portion of the keyholes.
- Position the mounting bracket (B) on the mounting surface in the desired position for the fixture body (A).
- Tighten the electrical box screws (AA) temporarily so the mounting bracket (B) is flush to the mounting surface.
- Use a pencil to mark the ceiling with the positions of the four mounting holes in the mounting bracket (B).



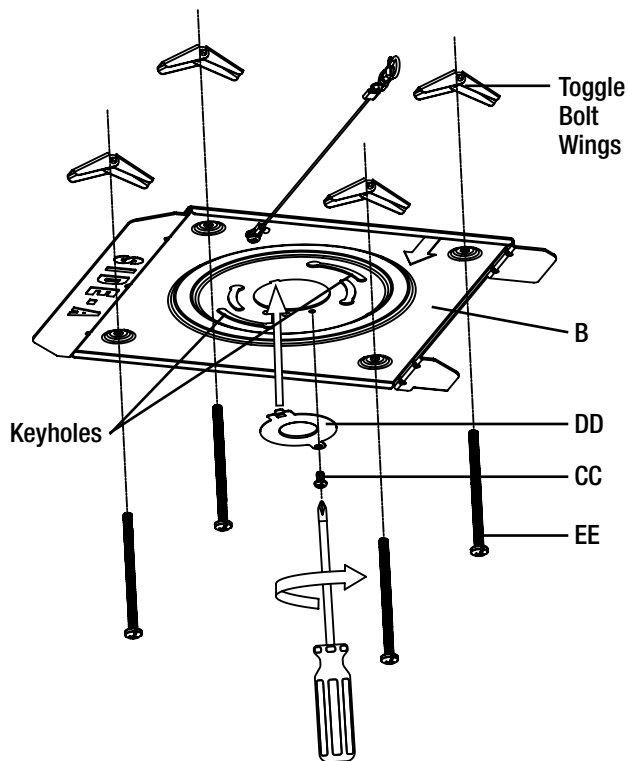
Mounting to Drywall (continued)

3 Preparing to mount to a drywall mounting surface

- Loosen the electrical box screws (AA) and turn the mounting bracket (B) until the heads of the electrical box screws (AA) are in the large ends of the keyholes, to take down the mounting bracket (B).
- Drill four 5/8 in. holes at the locations marked on the mounting surface, making sure the holes are large enough for the closed wings of the toggle bolt (EE) to pass through.
- Remove the wings from each toggle bolt (EE).
- Insert each toggle bolt (EE) through the mounting holes on the mounting bracket (B) and then reattach the wings.
- Connect the metal wiring ring (DD) to the mounting bracket (B) using the wiring ring screw (CC).

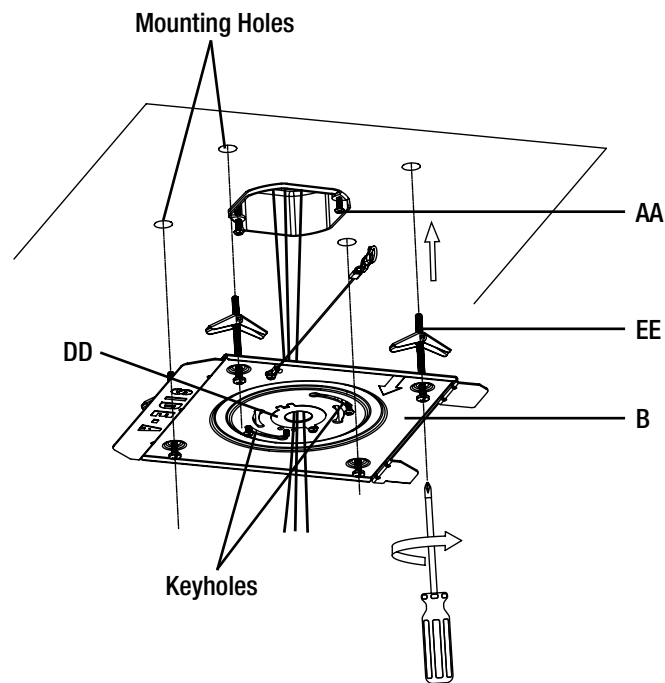


NOTE: The safety cable attached to the mounting bracket (B) should face away from the mounting surface.



4 Attaching the mounting bracket to the electrical outlet box and mounting surface

- With help from another person, hold the mounting bracket (B) up to the ceiling and feed the electrical connection wires from the electrical outlet box through the metal ring (DD) and center opening in the mounting bracket (B).
- With the electrical box screws (AA) extended to their full length, place the large end of the keyholes on the mounting bracket (B) over the electrical box screws (AA).
- Turn the mounting bracket (B) so the heads of the electrical box screws (AA) slide into the narrow portion of the keyholes.
- When the position of the toggle bolts (EE) coincides with the location of the holes drilled in the ceiling, squeeze the wings on each toggle bolt (EE) into the closed position and insert them one by one into the holes drilled in the drywall mounting surface.
- Tighten the toggle bolts (EE) until the mounting bracket (B) is flush to the ceiling.
- Tighten the electrical box screws (AA) to finish securing the mounting bracket (B) to the mounting surface.



Mounting to Drywall (continued)

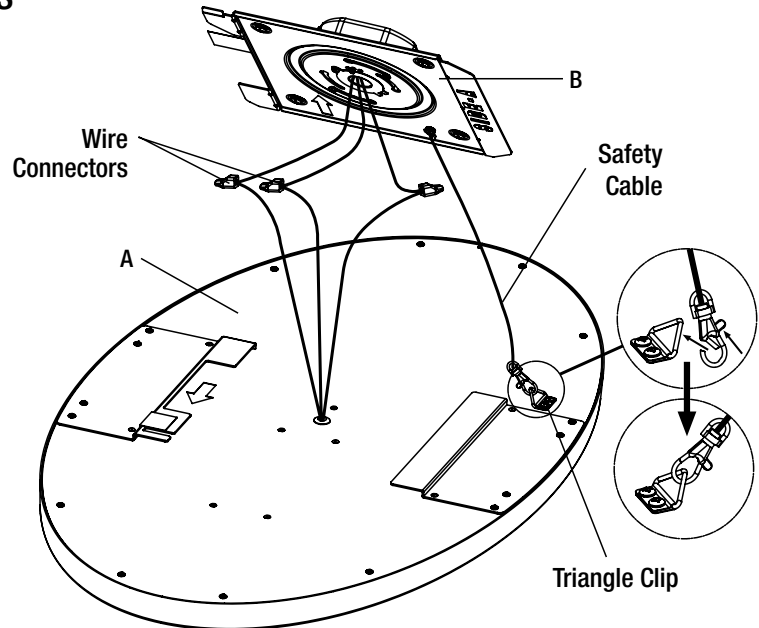
5 Making the electrical connections

- With help from another person, hold the fixture body (A) up to the ceiling and hook the safety cable attached to the mounting bracket (B) to the triangle clip on the back of the fixture body (A).



NOTE: Model 54326111 does not have a safety cable.

- Insert the hot and neutral (black and white) wires from the electrical box into the wire connectors of the same color wires from the fixture body (A).
- Insert the ground wire from the electrical box into the wire connector attached to the green wire from the fixture body (A).
- Feed the wires through the mounting bracket (B) and tuck them back inside the electrical box.



6 Installing the fixture body to the mounting bracket

- Align the long solid bracket (1) on the fixture body (A) with "Side A" of the mounting bracket (B). Align the bracket with the center cut-out (2) with the opposite side of the mounting bracket (B).

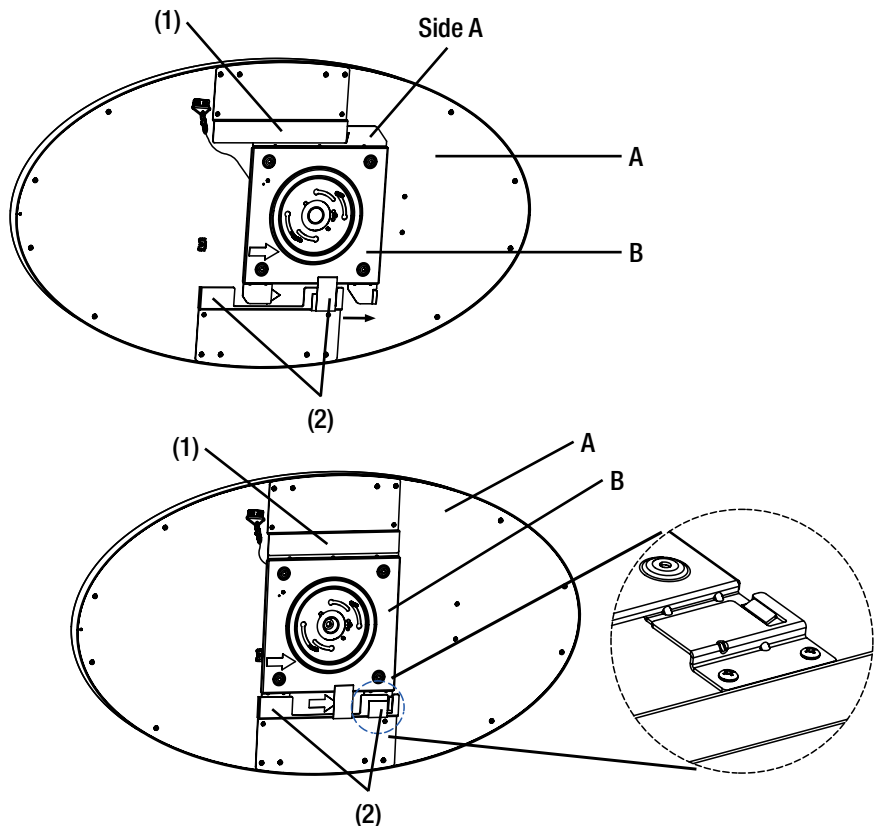


NOTE: The Side A marking and the safety cable attached to the mounting bracket (B) will face down toward the fixture body (A).



NOTE: Model 54326111 does not have a safety cable.

- Slide the fixture body (A) brackets onto the mounting bracket (B) until they click into place.
- Ensure the fixture is held securely in place by both sides of the mounting bracket (B).



Installation - Mounting to Wood



WARNING: RISK OF ELECTRIC SHOCK. Ensure the electricity to the wires you are working on is shut off. Either remove the fuse or turn off the circuit breaker before removing the existing light fixture or installing the new one.

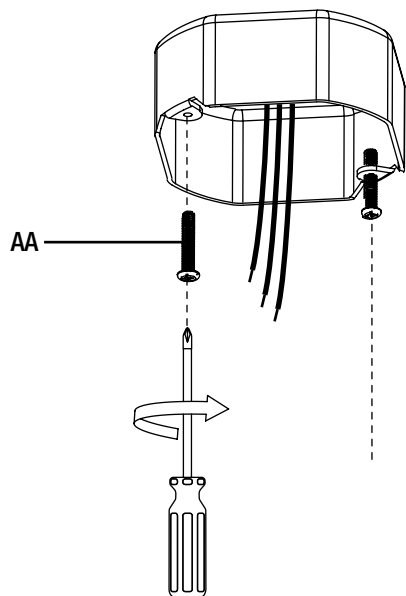
With power disconnected to the electrical box, remove the existing fixture. Make a sketch of how the current fixture is wired (by wire color) or mark the wires with masking tape and a pencil so you will know how to properly reconnect the wires to the new LED light fixture.



NOTE: Two people are recommended for the installation of this light fixture.

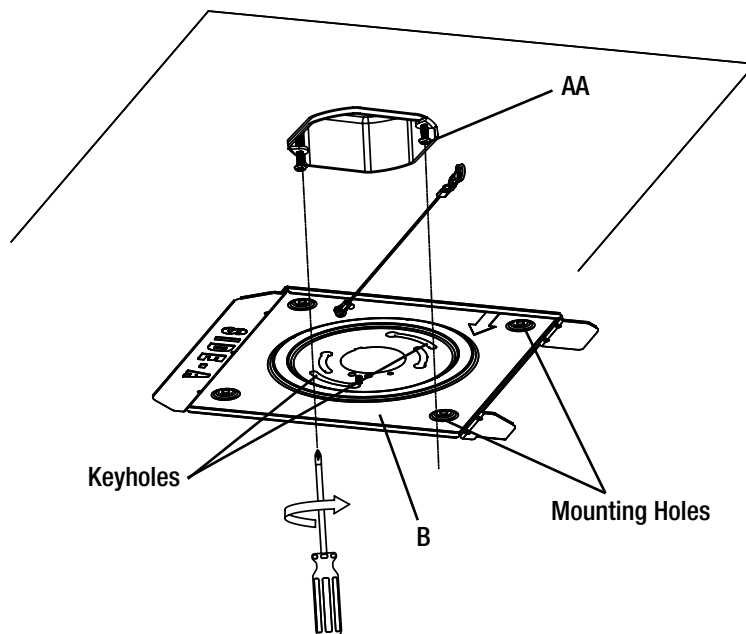
1 Attaching the electrical box screws to the electrical outlet box

- Attach the electrical box screws (AA) to the electrical outlet box, but do not tighten fully.



2 Marking the mounting surface for installation

- Position the mounting bracket (B) over the electrical outlet box, allowing the heads of the electrical box screws (AA) to come through the large ends of the keyholes.
- Turn the mounting bracket (B) so the heads of the electrical box screws (AA) slide into the narrow portion of the keyholes.
- Position the mounting bracket (B) on the mounting surface in the desired position for the fixture body (A).
- Tighten the electrical box screws (AA) temporarily so the mounting bracket (B) is flush to the mounting surface.
- Use a pencil to mark the ceiling with the positions of the four mounting holes in the mounting bracket (B).



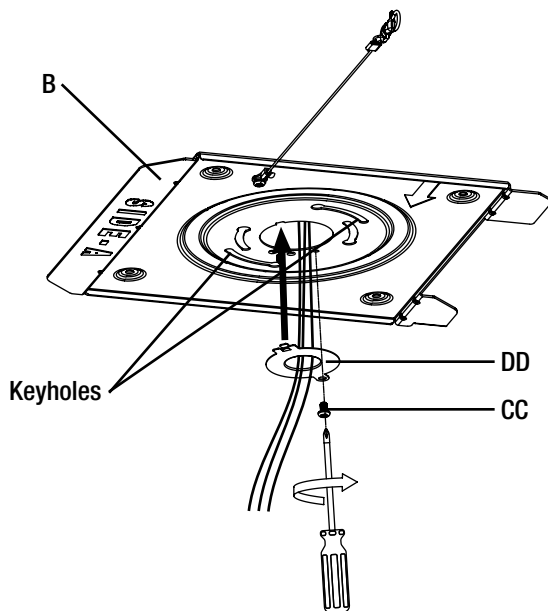
Mounting to Wood (continued)

3 Preparing to mount to a wood mounting surface

- Loosen the electrical box screws (AA) and turn the mounting bracket (B) until the heads of the electrical box screws (AA) are in the large ends of the keyholes, to take down the mounting bracket (B).
- Drill four 1/8 in. holes at the locations marked on the mounting surface. You can also use an awl or nail to dimple the screw holes.
- Connect the metal wiring ring (DD) to the mounting bracket (B) using the wiring ring screw (CC).

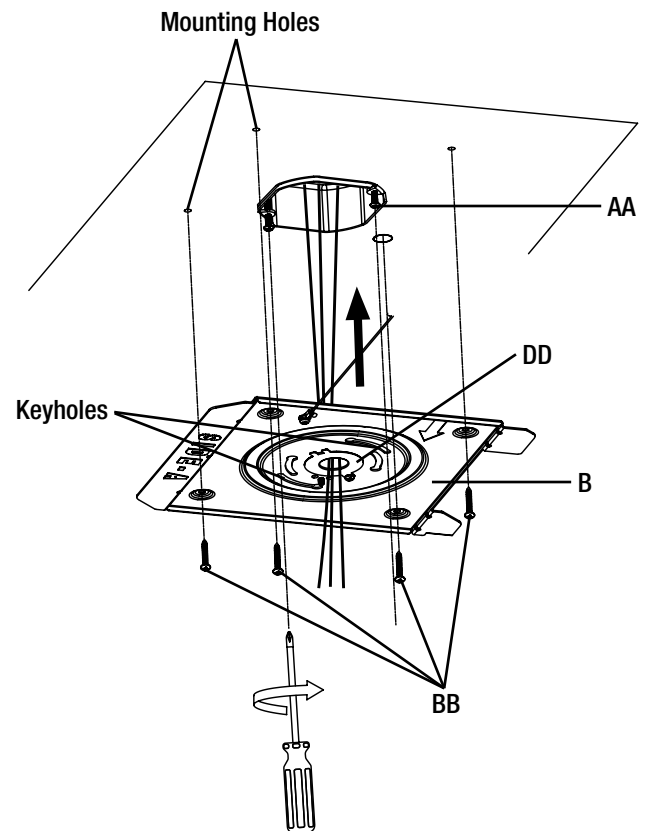


NOTE: The safety cable attached to the mounting bracket (B) should face away from the mounting surface.



4 Attaching the mounting bracket to the electrical outlet box and mounting surface

- With help from another person, hold the mounting bracket (B) up to the ceiling and feed the electrical connection wires from the electrical outlet box through the metal ring (DD) and center opening in the mounting bracket (B).
- With the electrical box screws (AA) extended to their full length, place the large end of the keyholes on the mounting bracket (B) over the electrical box screws (AA).
- Turn the mounting bracket (B) so the heads of the electrical box screws (AA) slide into the narrow portion of the keyholes.
- Align the four holes in the mounting bracket (B) with the pilot holes in the mounting surface.
- Insert and tighten the wood screws (BB) until the mounting bracket (B) is flush to the ceiling.
- Tighten the electrical box screws (AA) to finish securing the mounting bracket (B) to the mounting surface.



Mounting to Wood (continued)

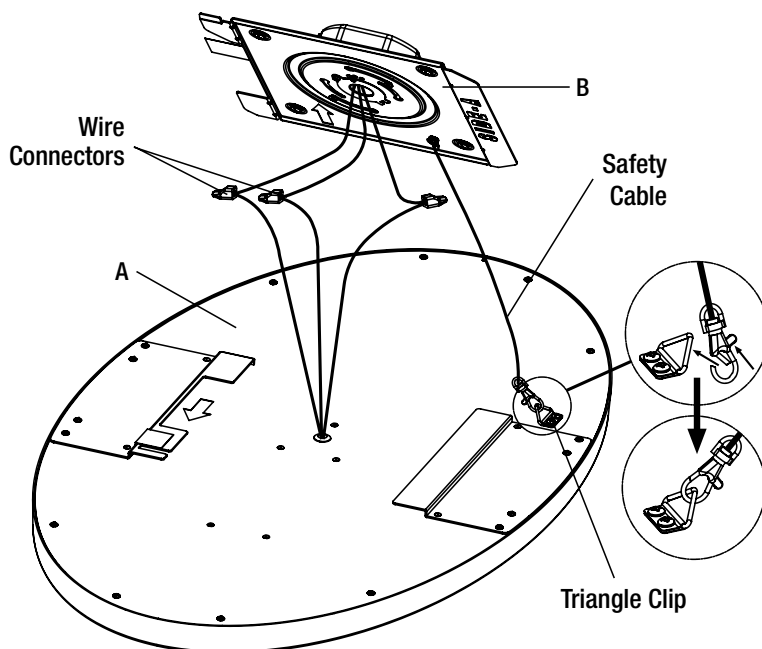
5 Making the electrical connections

- With help from another person, hold the fixture body (A) up to the ceiling and hook the safety cable attached to the mounting bracket (B) to the triangle clip on the back of the fixture body (A).



NOTE: Model 54326111 does not have a safety cable.

- Insert the hot and neutral (black and white) wires from the electrical box into the wire connectors of the same color wires from the fixture body (A).
- Insert the ground wire from the electrical box into the wire connector attached to the green wire from the fixture body (A).
- Feed the wires through the mounting bracket (B) and tuck them back inside the electrical box.



6 Installing the fixture body to the mounting bracket

- Align the long solid bracket (1) on the fixture body (A) with “Side A” of the mounting bracket (B). Align the bracket with the center cut-out (2) with the opposite side of the mounting bracket (B).

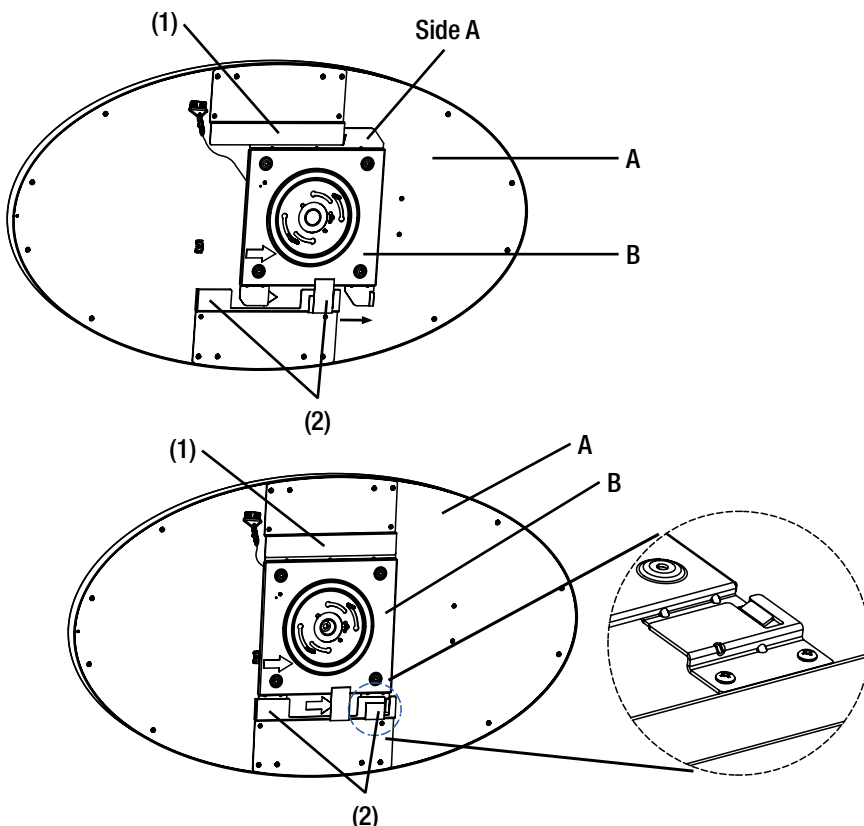


NOTE: The Side A marking and the safety cable attached to the mounting bracket (B) will face down toward the fixture body (A).



NOTE: Model 54326111 does not have a safety cable.


- Slide the fixture body (A) brackets onto the mounting bracket (B) until they click into place.
- Ensure the fixture is held securely in place by both sides of the mounting bracket (B).

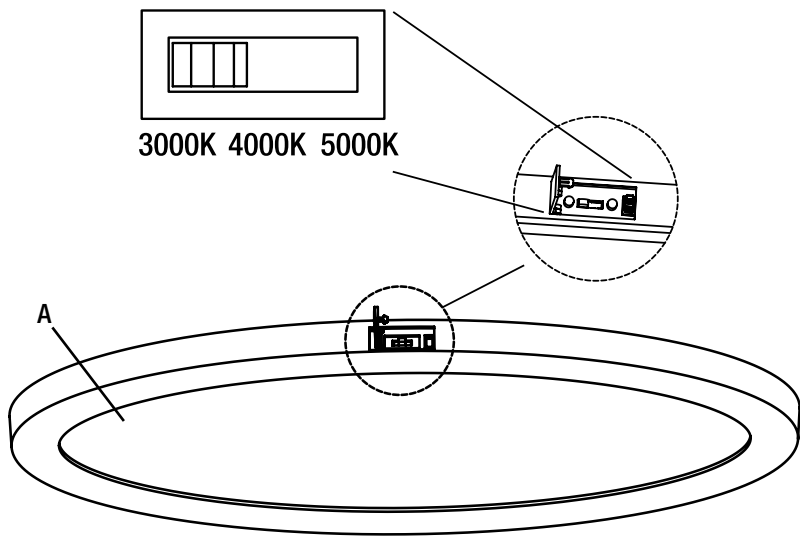


Adjusting the Color Temperature of the Light

This LED light fixture allows you to customize the color temperature of the light using three settings: soft white, bright white, or daylight.

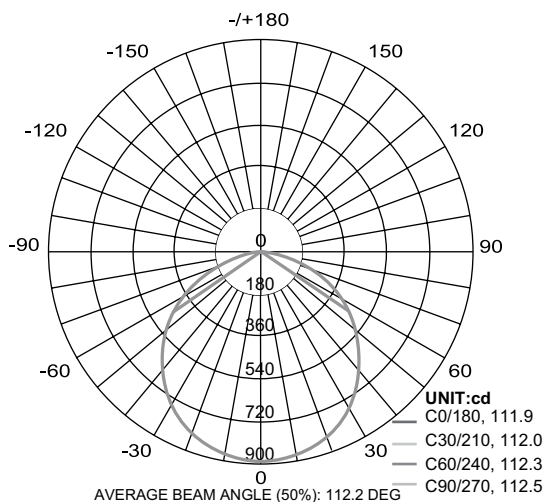
- Choose your favorite correlated color temperature (CCT) from three options: 3000K Soft White, 4000K Bright White, or 5000K Daylight.
- Press the spring loaded door on the side of the fixture body (A) to access the toggle switch to change the color of the light.
- Move the toggle switch to make your selection.

 **NOTE:** The factory setting for the correlated color temperature (CCT) is 3000K, which is the warmest white light.

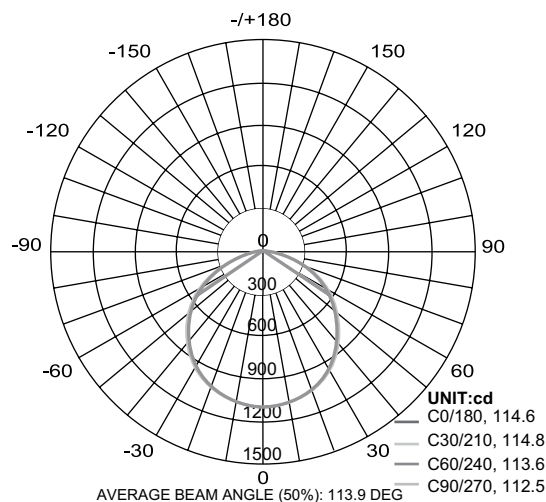


Light Distribution

Model # 54326111



Model # 54327111



Care and Cleaning



CAUTION: Before attempting to clean the fixture, disconnect the power to the fixture by turning the breaker off or removing the fuse from the fuse box.

- Clean the fixture with a soft, dry cloth.
- Do not use cleaners with chemicals, solvents, or harsh abrasives.
- Do not use liquid cleaner on the LEDs, LED driver, or wiring inside the light fixture.

Troubleshooting



WARNING: Before doing any work on the fixture, disconnect the power to the light fixture.

Minor problems often can be fixed without the help of an electrician.

Problem	Possible Cause	Solution
The fixture will not light.	The power is off.	Ensure the power supply is on.
	The circuit breaker is off.	Ensure the circuit breaker is in the on position.
	There is a bad connection.	Check to ensure proper wire connections are made. Contact a qualified electrician.
	There is a defective switch.	Contact a qualified electrician.
The fuse blows or the circuit breaker trips when the light is turned on.	The wires are crossed or the power wire is grounding out.	Check the wire connections. Contact a qualified electrician or call Hampton Bay customer service 1-855-HD-HAMPTON.



Questions, problems, missing parts? Before returning to the store,
call Hampton Bay Customer Service
8 a.m. - 7 p.m., EST, Monday - Friday
9 a.m. - 6 p.m., EST, Saturday

1-855-HD-HAMPTON

HAMPTONBAY.COM

Retain this manual for future use.



Artículo # 1003124386

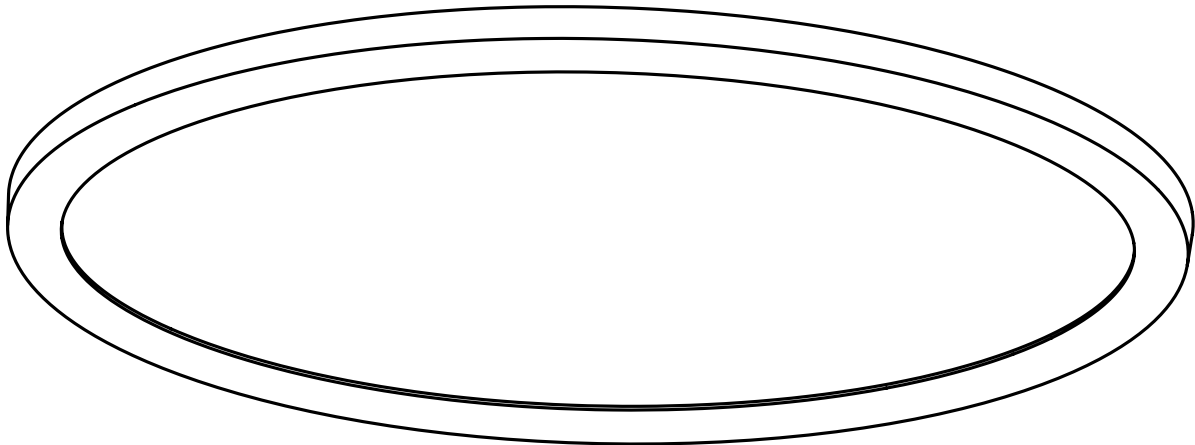
1003124382

Modelo # 54326111

54327111

MANUAL DE USO Y CUÍDADO

LÁMPARA DE TECHO PERFILADA CON ILUMINACIÓN PERIFÉRICA



¿Preguntas, problemas, piezas faltantes? Antes de devolver el producto a la tienda, llame al Centro de Atención al Cliente de Hampton Bay en el horario de 8 a.m. - 7 p.m., Hora del Este de EE.UU., de lunes a viernes.
9 a.m. - 6 p.m., Hora del Este de EE.UU., sábados.



Intertek

1-855-HD-HAMPTON

HAMPTONBAY.COM



GRACIAS

Apreciamos la confianza que ha puesto en Hampton Bay a través de la compra de esta luz LED. Nos esforzamos por crear constantemente productos diseñados para realzar su hogar. Visítenos en línea para ver nuestra gama completa de productos disponibles para sus necesidades al momento de hacer mejoras en su hogar. ¡Muchas gracias por elegir a Hampton Bay!

Contenido

Contenido	14	Instalación	16
Información sobre seguridad	14	Instalación sobre panel mural en seco	16
Garantía	14	Instalación sobre madera	19
Previo a la instalación	15	Ajustar la temperatura del color del luz	22
Planificación de la instalación	15	Distribución de la luz	22
Herramientas necesarias	15	Cuidado y limpieza	23
Contenido del paquete	15	Solución de problemas	23
Piezas incluidas	15		

Información sobre seguridad



ADVERTENCIA: Lea cuidadosamente y comprenda la información incluida en este manual antes de comenzar el armado e instalación. No hacerlo puede provocar descarga eléctrica, incendio, u otras lesiones que pueden ser graves o mortales.



ADVERTENCIA: Asegúrese de cortar el suministro eléctrico en los cables con los que trabajará. Extraiga los fusibles o apague el cortacircuitos.

AVISO: Este equipo ha sido probado y se halló que cumple con los límites establecidos para la clase B de dispositivos digitales, conforme a la Parte 15 de las Normas de FCC. Estos límites se establecen para brindar protección razonable contra interferencia dañina en una instalación residencial.

Este equipo genera, utiliza y puede irradiar energía de frecuencias de radio y, si no se instala conforme a las instrucciones, puede provocar interferencia dañina a las comunicaciones de radio. Sin embargo, no existe garantía de que la interferencia no se produzca en una instalación en particular. Si este equipo produce interferencia dañina a la recepción de radio o televisión, lo que puede determinarse encendiendo y apagando el equipo, se insta al usuario a intentar corregir la interferencia mediante uno de los siguientes métodos:

- Cambie la orientación o ubicación de la antena receptora.
- Aumente la separación entre el equipo y el receptor.
- Conecte el equipo en un tomacorriente que esté en un circuito diferente al cual está conectado el receptor.
- Consulte con el representante o con un técnico experimentado en radio y televisión para solicitar asistencia.



ADVERTENCIA: Cambios o modificaciones no aprobadas en forma expresa por la parte responsable del cumplimiento puede invalidar la autoridad del usuario de manejar el equipo.

Garantía

CUBRE

El fabricante garantiza que este aparato de iluminación no tendrá defectos en los materiales o en la mano de obra por un periodo de cinco (5) años desde la fecha de compra. Esta garantía se aplica sólo al comprador consumidor original y sólo a los productos que se utilizan y reciben servicio en forma normal. Si se encuentra que este producto tiene defectos, la única obligación del fabricante, y su exclusiva solución, es reparar o reemplazar el producto a su entera discreción, siempre y cuando el producto no se haya dañado debido al mal uso, abuso, accidente, modificaciones, alteraciones, negligencias o mal manejo del mismo.

NO CUBRE

Esta garantía no se aplica a ningún producto que se ha instalado incorrectamente, ajustado o utilizado en una forma que no concuerde con las instrucciones suministradas junto con el producto. Esta garantía no se aplicará a fallas del producto como resultado de un accidente, uso incorrecto, abuso, negligencia, alteración, instalación defectuosa, o ninguna otra falla no relacionada con el material o mano de obra defectuosa. Esta garantía no se aplica a los acabados en ninguna parte del producto, tal como la superficie ni a la acción de los elementos, ya que esto se considera desgaste normal.

El fabricante no garantiza y no acepta responsabilidad, ya sea expresa o implícita de la idoneidad para un fin particular, a excepción de la garantía contenida en el presente. El fabricante niega específicamente cualquier responsabilidad y no será responsable por daños o pérdidas indirectas o consecuenciales, e incluye pero no se limita a los costos de mano de obra, gastos relacionados en el reemplazo o reparación de dicho producto.

Comuníquese con el equipo de Servicio al Cliente al 1-855-HD-HAMPTON o visite www.Hamptonbay.com.

Previo a la instalación

PLANIFICACIÓN DE LA INSTALACIÓN

Antes de comenzar el armado, la instalación o antes de operar el producto, asegúrese de que tiene todas las piezas. Compare las piezas con la lista de contenido. Si falta alguna pieza o si está dañada, no comience a armar, instalar ni operar el producto. Comuníquese con el servicio al cliente para el reemplazo de las piezas.



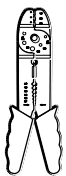
NOTA: Guarde el recibo de compra y estas instrucciones como prueba de compra.

Si no está familiarizado con las instalaciones eléctricas, le recomendamos que haga que un electricista calificado se ocupe de la instalación.



NOTA: Se recomienda que la instalación de este aparato la realicen dos personas.

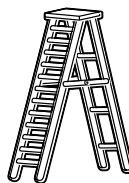
HERRAMIENTAS NECESARIAS



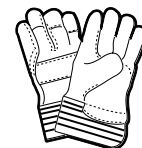
Alicates pelacables



Gafas de seguridad



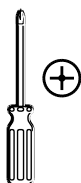
Escalera



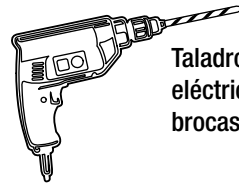
Guantes



Destornillador plano



Destornillador de estrella



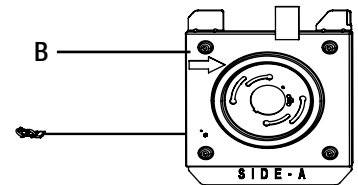
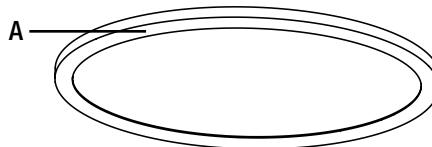
Taladro eléctrico con brocas



Alicates cortacables

CONTENIDO DEL PAQUETE

Pieza	Descripción	Cantidad
A	Caja de lámpara	1
B	Soporte de montaje	1



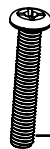
NOTA: La forma y el tamaño del soporte de montaje (B) variarán según la forma y el tamaño de la caja de la lámpara (A).

PIEZAS INCLUIDAS



NOTA: Los materiales no se ilustran en tamaño real.

Pieza	Descripción	Cantidad
AA	Tornillo de caja eléctrica	2
BB	Tornillo de montaje	4
CC	Tornillo pequeño	1
DD	Anillo de metal	1
EE	Perno de palanca	4



AA



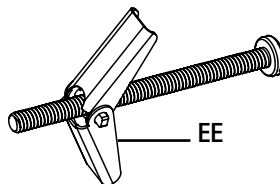
BB



CC



DD



EE

Instalación



ADVERTENCIA: RIESGO DE DESCARGA ELÉCTRICA. Asegúrese de cortar el suministro eléctrico en los cables con los que trabajará. Extraiga los fusibles o apague el cortacircuitos antes de quitar el aparato de iluminación existente o instalar uno nuevo.

Antes de retirar la lámpara existente, corte el suministro eléctrico hacia la caja eléctrica. Haga un diagrama del actual cableado (por color de los cables) o marque los cables con cinta de enmascarar y un lápiz. De ese modo sabrá cómo volver a conectar correctamente los cables la nueva lámpara de luz LED.

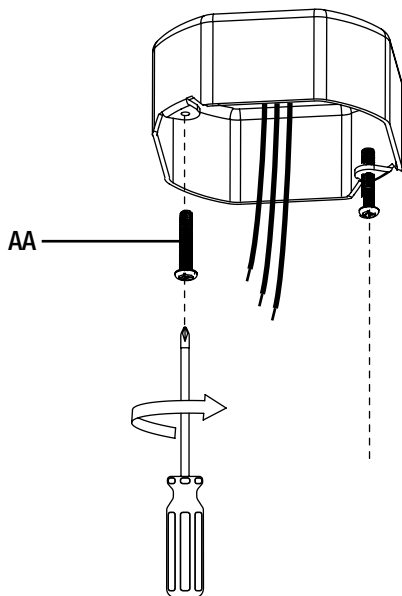


NOTA: Se recomienda que la instalación de este aparato la realicen dos personas.

Instalación - sobre panel mural en seco

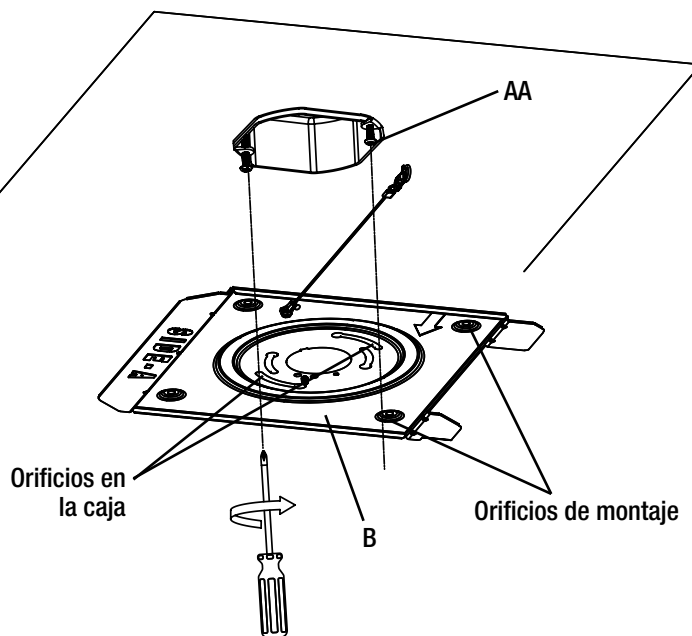
1 Colocar los tornillos de la caja eléctrica en la caja eléctrica

- Fije los tornillos de caja eléctrica (AA) a la caja eléctrica, pero no los apriete por completo.



2 Marcar la superficie de montaje para la instalación

- Coloque el soporte de montaje (B) sobre la caja eléctrica, permitiendo que las cabezas de los tornillos de caja eléctrica (AA) pasen por los extremos grandes de los orificios.
- Gire el soporte de montaje (B) para que las cabezas de los tornillos de caja eléctrica (AA) se deslicen en la parte estrecha de los orificios.
- Coloque el soporte de montaje (B) en la superficie de montaje en la posición deseada para la caja de la lámpara (A).
- Apriete los tornillos de caja eléctrica (AA) temporalmente para que el soporte de montaje (B) quede al ras de la superficie de montaje.
- Use un lápiz para marcar el techo con las posiciones de los cuatro orificios de montaje en el soporte de montaje (B).



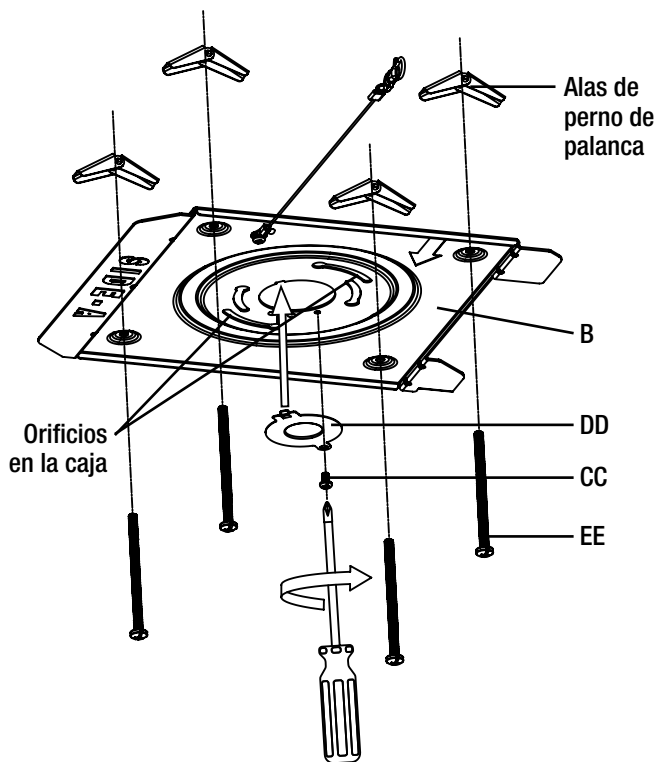
Instalación - sobre panel mural en seco (continuación)

3 Preparar a instalación sobre panel mural en seco

- Afloje los tornillos de la caja eléctrica (AA) y gire el soporte de montaje (B) hasta que las cabezas de los tornillos de la caja eléctrica (AA) estén en los extremos grandes de los orificios, para remover el soporte de montaje (B).
- Haga cuatro orificios de 5/8 pulgadas en las ubicaciones marcadas en la superficie de montaje, asegurándose de que los orificios sean lo suficientemente grandes para que pasen las alas cerradas del perno de palanca mediante.
- Retire las alas de cada perno de palanca (EE).
- Inserte cada perno de palanca (EE) a través de los orificios de montaje en el soporte de montaje (B) y luego vuelva a colocar las alas.
- Conecte el anillo de metal (DD) al soporte de montaje (B) con el tornillo pequeño (CC).

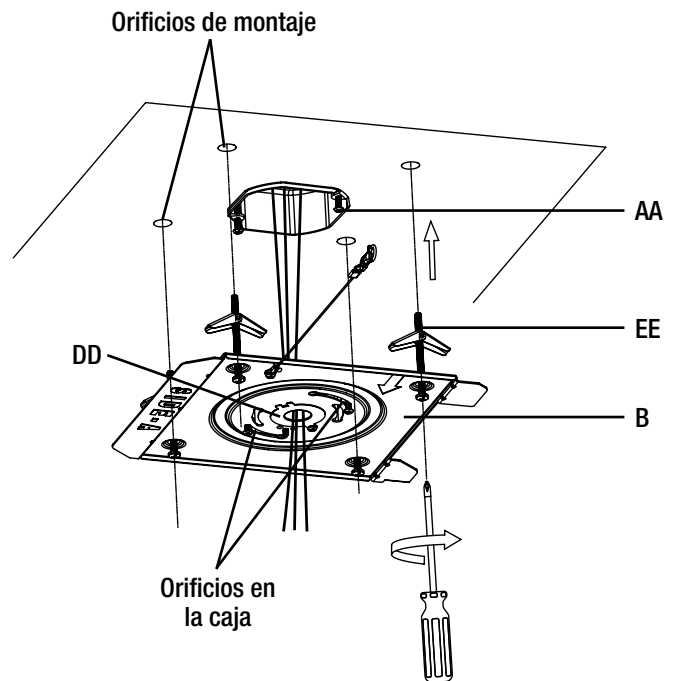


NOTA: El cable de seguridad conectados al soporte de montaje (B) debe estar alejado de la superficie de montaje.



4 Fijar el soporte de montaje a la caja eléctrica y la superficie de montaje

- Con la ayuda de otra persona, sostenga el soporte de montaje (B) hasta el techo y pase los cables eléctricos de la caja eléctrica a través del anillo de metal (DD) y la abertura central en el soporte de montaje (B).
- Con los tornillos de la caja eléctrica (AA) extendidos en toda su longitud, coloque el extremo grande de los orificios en el soporte de montaje (B) sobre los tornillos de la caja eléctrica (AA).
- Gire el soporte de montaje (B) para que las cabezas de los tornillos de caja eléctrica (AA) se deslicen en la parte estrecha de los orificios.
- Cuando la posición de los pernos de palanca (EE) coincida con la ubicación de los orificios perforados en el techo, apriete las alas de cada perno de palanca (EE) en la posición cerrada e insértelos uno por uno en los orificios perforados en la superficie de montaje.
- Apriete los pernos de palanca (EE) hasta que el soporte de montaje (B) quede al ras del techo.
- Apriete los tornillos de la caja eléctrica (AA) para terminar de asegurar el soporte de montaje (B) a la superficie de montaje.



Instalación - sobre panel mural en seco (continuación)

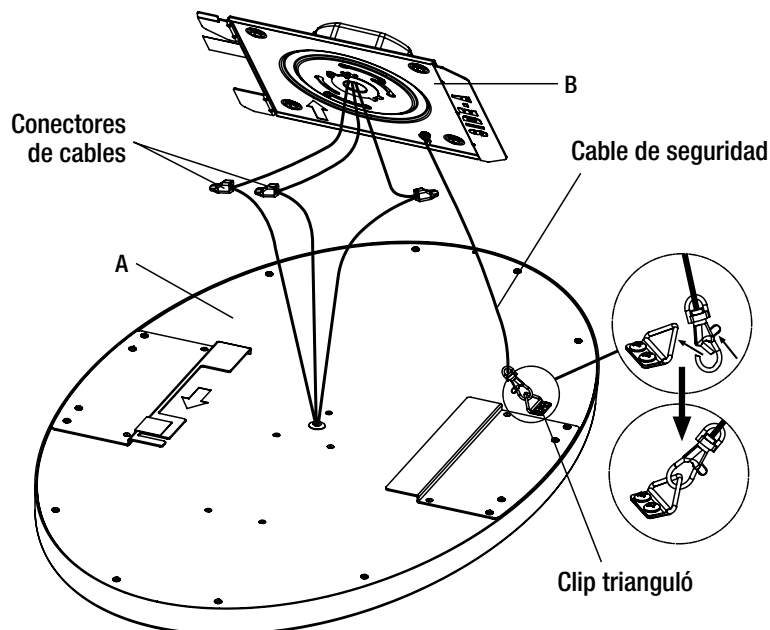
5 Hacer las conexiones eléctricas

- Con la ayuda de otra persona, sostenga la caja de lámpara (A) hasta el techo y enganche el cable de seguridad al clip trianguló en el soporte de montaje (B) y luego al clip trianguló en la parte posterior de la caja de lámpara (A).



NOTA: El modelo 54326111 no tiene un cable de seguridad.

- Inserte los cables caliente y neutro (negro y blanco) de la caja eléctrica en los conectores de cables del mismo color de la caja de lámpara (A).
- Inserte el cable de tierra de la caja eléctrica en el conector de cable unido al cable verde de la caja de lámpara (A).
- Coloque los cables a través del soporte de montaje (B) y dentro de la caja eléctrica.



6 Instalar la caja de lámpara en el soporte de montaje

- Alinee los soportes lado a lado (1) en la caja de lámpara (A) con la marca "Side A" del soporte de montaje (B). Alinee el soporte con el recorte central (2) con el lado opuesto del soporte de montaje (B).

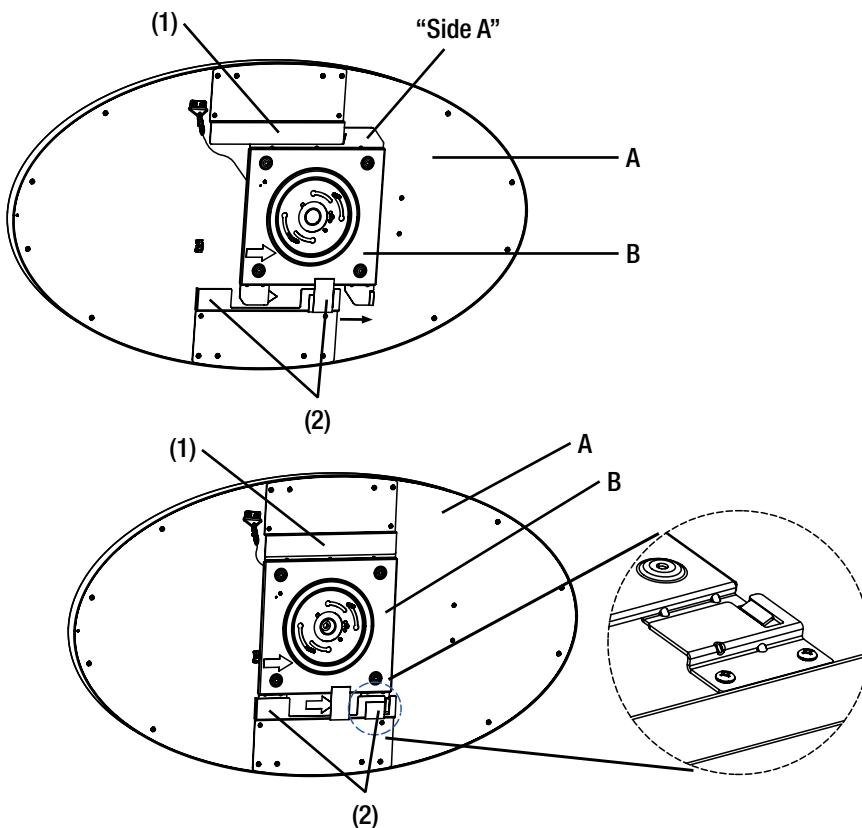


NOTA: La marca "Side A" y la cable de seguridad conectados al soporte de montaje (B) quedarán hacia abajo, hacia la caja de la lámpara (A).



NOTA: El modelo 54326111 no tiene un cable de seguridad.

- Deslice los soportes de la caja de lámpara (A) en el soporte de montaje (B) hasta que encajen en su lugar.
- Asegúrese de que la lámpara esté firmemente sujeta por ambos lados del soporte de montaje (B).



Instalación - sobre madera



ADVERTENCIA: RIESGO DE DESCARGA ELÉCTRICA. Asegúrese de cortar el suministro eléctrico en los cables con los que trabajará. Extraiga los fusibles o apague el cortacircuitos antes de quitar el aparato de iluminación existente o instalar uno nuevo.

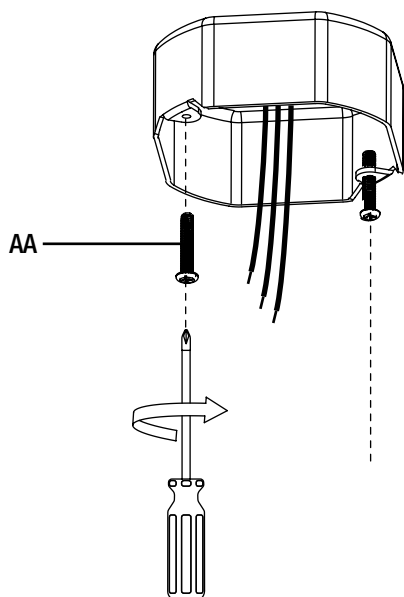
Antes de retirar la lámpara existente, corte el suministro eléctrico hacia la caja eléctrica. Haga un diagrama del actual cableado (por color de los cables) o marque los cables con cinta de enmascarar y un lápiz. De ese modo sabrá cómo volver a conectar correctamente los cables la nueva lámpara de luz LED.



NOTA: Se recomienda que la instalación de este aparato la realicen dos personas.

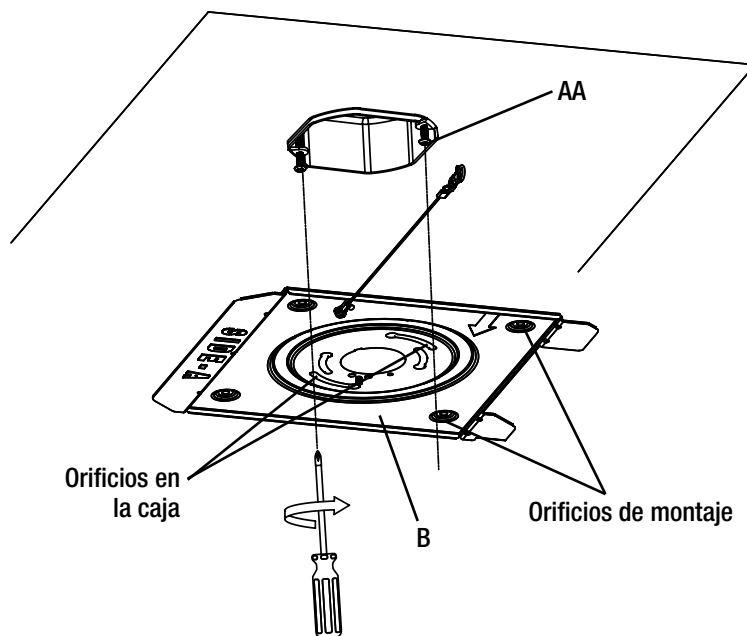
1 Colocar los tornillos de la caja eléctrica en la caja eléctrica

- Fije los tornillos de caja eléctrica (AA) a la caja eléctrica, pero no los apriete por completo.



2 Marcar la superficie de montaje para la instalación

- Coloque el soporte de montaje (B) sobre la caja eléctrica, permitiendo que las cabezas de los tornillos de caja eléctrica (AA) pasen por los extremos grandes de los orificios.
- Gire el soporte de montaje (B) para que las cabezas de los tornillos de caja eléctrica (AA) se deslicen en la parte estrecha de los orificios.
- Coloque el soporte de montaje (B) en la superficie de montaje en la posición deseada para la caja de la lámpara (A).
- Apriete los tornillos de caja eléctrica (AA) temporalmente para que el soporte de montaje (B) quede al ras de la superficie de montaje.
- Use un lápiz para marcar el techo con las posiciones de los cuatro orificios de montaje en el soporte de montaje (B).



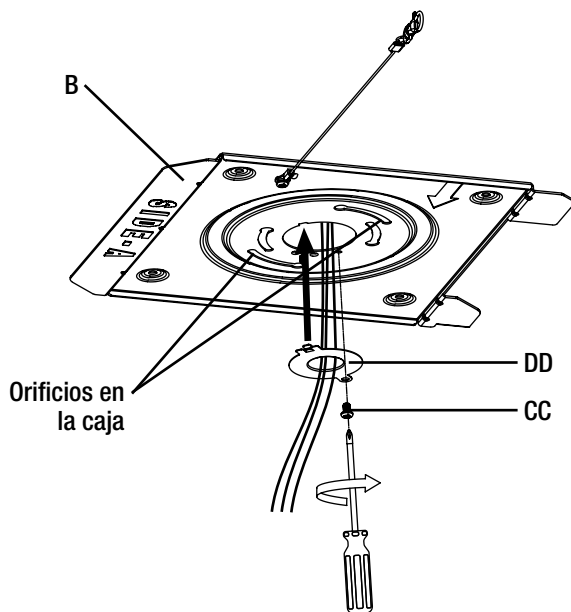
Instalación - sobre madera (continuación)

3 Preparar a instalación sobre superficie de madera

- Afloje los tornillos de la caja eléctrica (AA) y gire el soporte de montaje (B) hasta que las cabezas de los tornillos de la caja eléctrica (AA) estén en los extremos grandes de los orificios, para remover el soporte de montaje (B).
- Haga cuatro orificios de 1/8 pulgada en las ubicaciones marcadas en la superficie de montaje. También puede utilizar un punzón o clavo a hoyuelo los orificios de los tornillos.
- Conecte el anillo de metal (DD) al soporte de montaje (B) con el tornillo pequeño (CC).

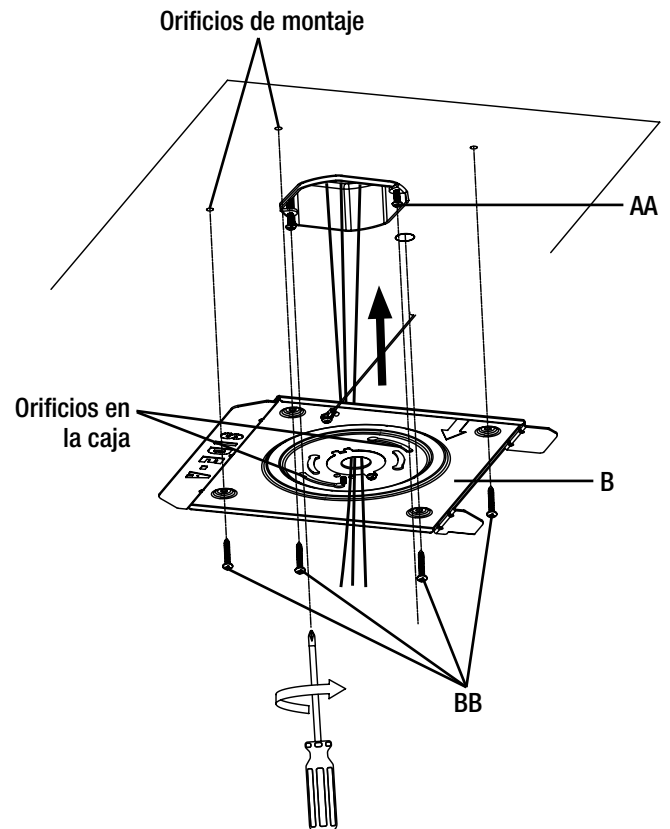


NOTA: El cable de seguridad conectados al soporte de montaje (B) debe estar alejado de la superficie de montaje.



4 Fijar el soporte de montaje a la caja eléctrica y la superficie de montaje

- Con la ayuda de otra persona, sostenga el soporte de montaje (B) hasta el techo y pase los cables eléctricos de la caja eléctrica a través del anillo de metal (DD) y la abertura central en el soporte de montaje (B).
- Con los tornillos de la caja eléctrica (AA) extendidos en toda su longitud, coloque el extremo grande de los orificios en el soporte de montaje (B) sobre los tornillos de la caja eléctrica (AA).
- Gire el soporte de montaje (B) para que las cabezas de los tornillos de caja eléctrica (AA) se deslicen en la parte estrecha de los orificios.
- Alinee los cuatro orificios en el soporte de montaje (B) con los agujeros guía en la superficie de montaje.
- Inserte y apriete los tornillos para madera (BB) hasta que el soporte de montaje (B) quede al ras del techo.
- Apriete los tornillos de la caja eléctrica (AA) para terminar de asegurar el soporte de montaje (B) a la superficie de montaje.



Instalación - sobre madera (continuación)

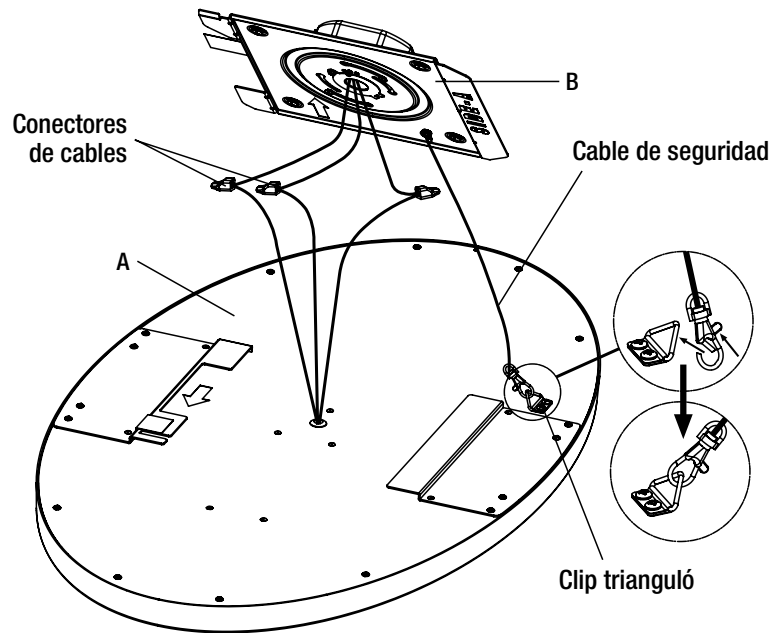
5 Hacer las conexiones eléctricas

- Con la ayuda de otra persona, sostenga la caja de lámpara (A) hasta el techo y enganche el cable de seguridad al clip trianguló en el soporte de montaje (B) y luego al clip trianguló en la parte posterior de la caja de lámpara (A).



NOTA: El modelo 54326111 no tiene un cable de seguridad.

- Inserte los cables caliente y neutro (negro y blanco) de la caja eléctrica en los conectores de cables del mismo color de la caja de lámpara (A).
- Inserte el cable de tierra de la caja eléctrica en el conector de cable unido al cable verde de la caja de lámpara (A).
- Coloque los cables a través del soporte de montaje (B) y dentro de la caja eléctrica.



6 Instalar la caja de lámpara en el soporte de montaje

- Alinee los soportes lado a lado (1) en la caja de lámpara (A) con la marca "Side A" del soporte de montaje (B). Alinee el soporte con el recorte central (2) con el lado opuesto del soporte de montaje (B).

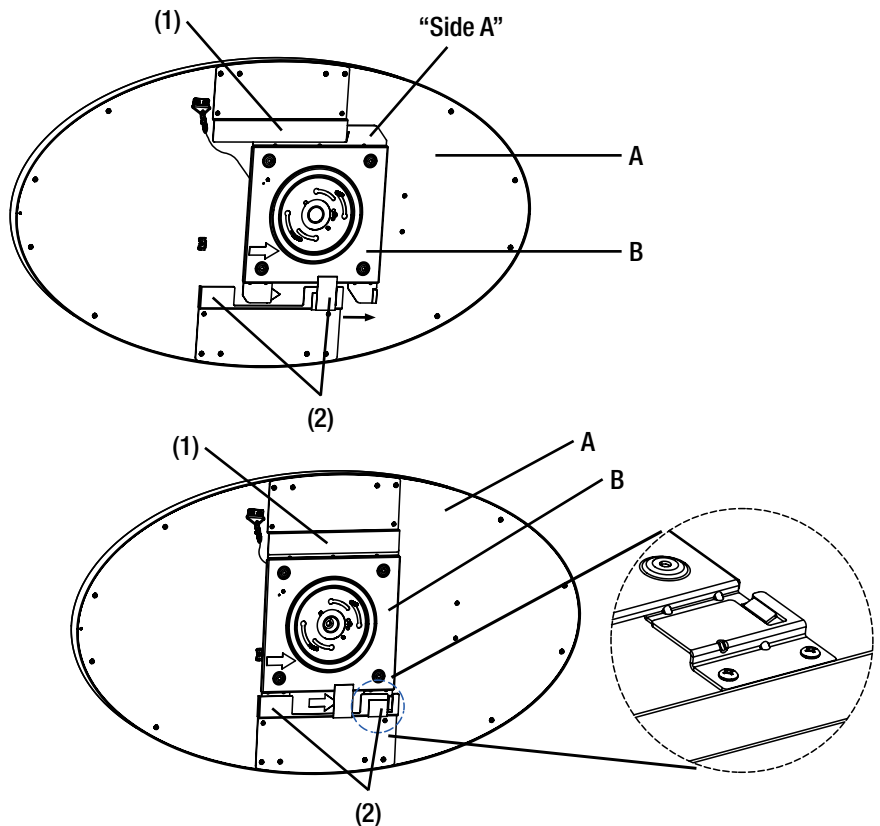


NOTA: La marca "Side A" y la cable de seguridad conectados al soporte de montaje (B) quedarán hacia abajo, hacia la caja de la lámpara (A).



NOTA: El modelo 54326111 no tiene un cable de seguridad.

- Deslice los soportes de la caja de lámpara (A) en el soporte de montaje (B) hasta que encajen en su lugar.
- Asegúrese de que la lámpara esté firmemente sujeta por ambos lados del soporte de montaje (B).



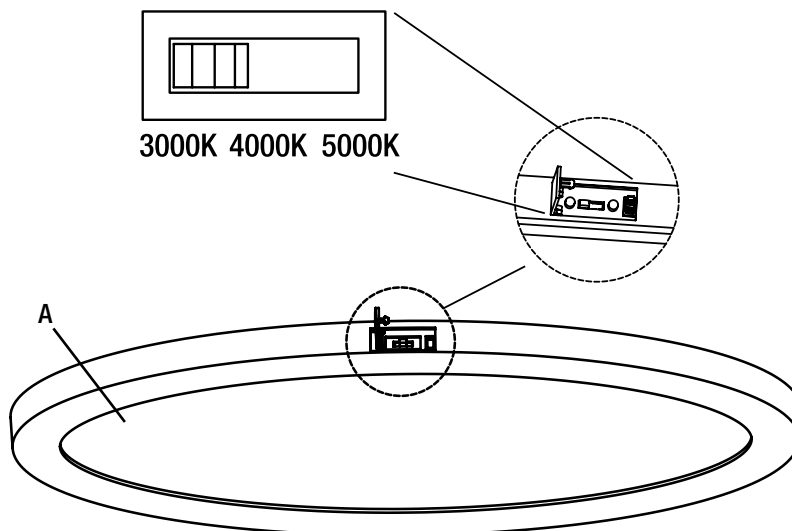
Ajustar la temperatura del color del luz

Este lámpara LED le permite ajustar la temperatura del color de la luz usando tres ajustes: blanco suave, blanco brillante, o luz del día.

- Cambie la temperatura de color correlacionada (CCT) favorita de tres opciones: 3000k blanco cálida, 4000k blanco brillante, or 5000k luz del día.
- Presione el panel con resorte en el lado de la caja de lámpara (A) para acceder al interruptor para cambiar el color de la luz.
- Mueva el interruptor para hacer su selección.

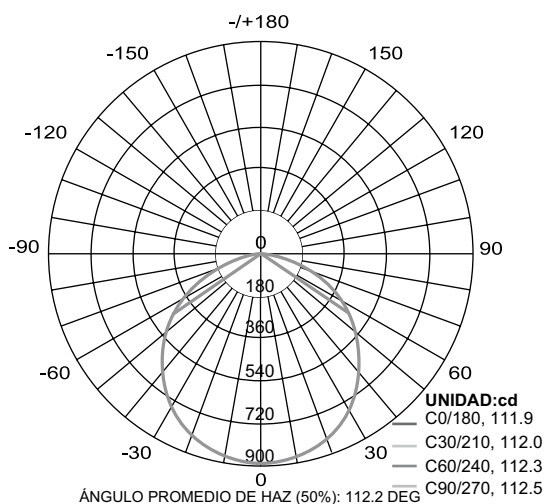


NOTA: El ajuste inicial de la temperatura de color correlacionada (CCT) es 3000k, que es la luz blanca cálida.

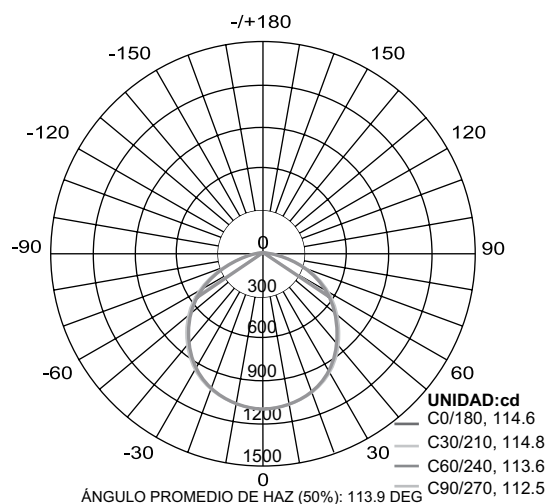


Distribución de la luz

Modelo # 54326111



Modelo # 54327111



Cuidado y limpieza



PRECAUCIÓN: Antes de limpiar el aparato, desconecte el suministro eléctrico hacia este apagando el cortacircuitos o extrayendo el fusible de la caja de fusibles.

- Limpie la lámpara con un paño suave y seco.
- No utilice limpiadores con productos químicos, solventes o abrasivos.
- No use limpiador líquido en las bombillas LED, en la unidad LED ni en los cables que están dentro de la lámpara.

Solución de problemas



ADVERTENCIA: Antes de realizar cualquier trabajo en el dispositivo, desconecte la electricidad que lo alimenta.

Los problemas menores pueden arreglarse sin ayuda de un electricista.

Problema	Causa posible	Medida correctiva
La lámpara no enciende.	El suministro eléctrico está cortado.	Asegúrese de que el suministro eléctrico esté activado.
	El interruptor está apagado.	Asegúrese de que el interruptor esté en la posición de encendido.
	Hay una mala conexión.	Asegúrese de que se hayan conectado los cables de forma correcta. Comuníquese con un electricista calificado.
	Hay un interruptor defectuoso.	Comuníquese con un electricista calificado.
El fusible se quema o salta el interruptor cuando se enciende la lámpara.	Los cables están cruzados o el cable de suministro eléctrico no está puesto a tierra.	Verifique las conexiones de los cables. Comuníquese con un electricista calificado o llame al Centro de Atención al Cliente de Hampton Bay 1-855-HD-HAMPTON.



**¿Preguntas, problemas, piezas faltantes? Antes de devolver el producto a la tienda,
llame al Centro de Atención al Cliente de Hampton Bay en el horario de
8 a.m. - 7 p.m., Hora del Este de EE.UU., de lunes a viernes.
9 a.m. - 6 p.m., Hora del Este de EE.UU., sábados.**

1-855-HD-HAMPTON

HAMPTONBAY.COM

Conserve este manual para uso futuro.