

10. CÓMO ASEGURAR LA CUBIERTA:

A. Instale el gancho en "S" del ensamble del trinquete en la patas del cobertizo. Hale el tejido cuidadosamente para tensar la cubierta. No hale el tejido a través del lado opuesto de la cubierta.

B. Inserte el tejido en el huso del trinquete y apriete hasta que quede ceñido. Refiérase a la figura detallada O. Déle vuelta al trinquete hasta que el tejido se solape sobre sí mismo. Repita estos pasos en el lado opuesto, luego en el lado posterior del cobertizo.

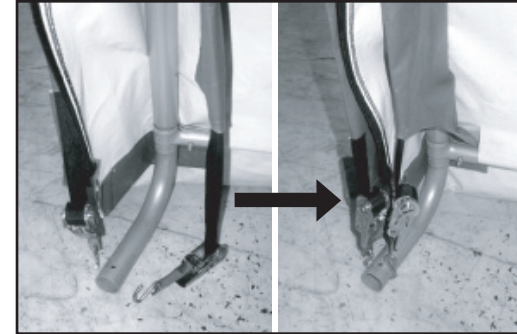
C. Cuando todas las esquinas estén aseguradas, ajuste el frente de la cubierta a la parte posterior de modo que quede centrada. Cuando la cubierta esté centrada, apriete todos los trinquetes. Haga esto con un patrón en "X" para asegurarse de que quede apretada uniformemente. Refiérase a la figura detallada O.

D. Instale los largueros de cubierta (10110) insertándolos en los compartimientos de los tubos en cada lado de la cubierta. Atornille los largueros (10115) a las cerchas utilizando abrazaderas de 3 y 4 vías como se ilustra en la figura detallada P. Verifique que los largueros queden uniformemente distanciados a 20,3 cm por encima de la tierra en ambos lados. Presione hacia abajo en los largueros de cubierta y los conectores, uno de cada vez, para apretar las abrazaderas atornilladas y la cubierta.

IMPORTANTE: Coloque cubiertas para pernos (10150) en los pernos expuestos en los largueros laterales y las riostras contra viento para evitar lesiones.



VISTA EXTERNA DESDE LA ESQUINA

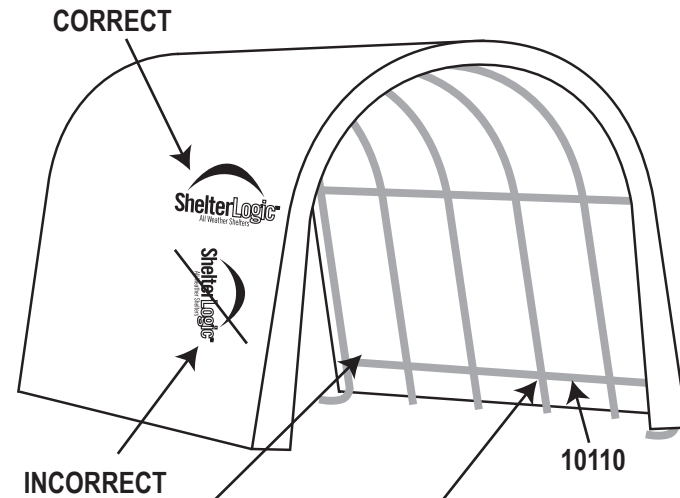


DETAIL O

DETAIL P

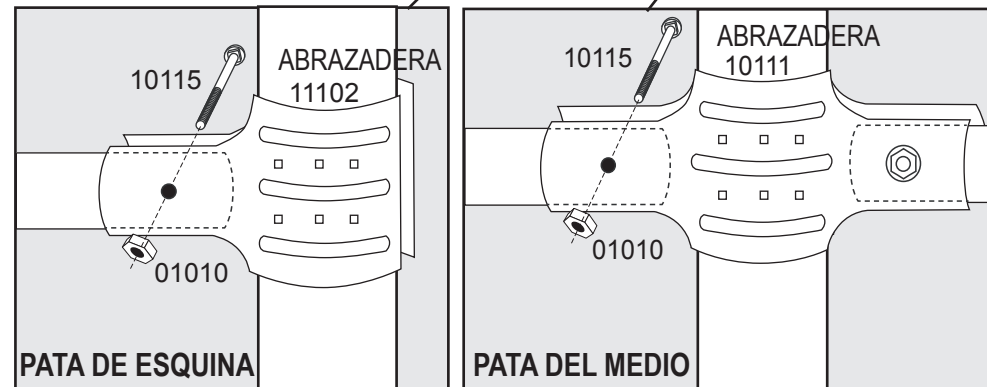
NOTA: VERIFIQUE QUE LA CUBIERTA ESTÉ CORRECTAMENTE COLOCADA EN LA ESTRUCTURA.

El logo ShelterLogic® debe alinearse entre las esquinas de la parte frontal izquierda y trasera derecha cerca del larguero superior. Si no queda legible y está ubicado como se ilustra como "incorrecto", la cubierta no ha sido colocada correctamente en la estructura.



Consejo útil para apretar la cubierta

Verifique y apriete los trinquetes y los largueros transversales mensualmente para comprobar que la cubierta quede apretada.



ADVERTENCIA: Pueden ocurrir lesiones graves a las personas o la propiedad si la cubierta se instala y el cobertizo no queda terminado y se deja desatendido. El cobertizo deberá anclarse de forma segura para dar por terminada la instalación.

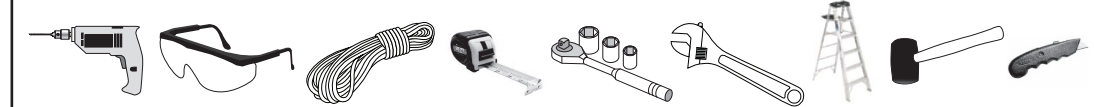


12' W x 8' H or 10' H Round Top® Frame Assembly



Assembly Instructions

Before you start: 2+ individuals recommended for assembly, approximate time 3 hours.
Recommended tools: Power Drill, Safety Glasses, Rope, Tape Measure, Ratchet with Socket Set, Adjustable Wrench, Step Ladder, Rubber Mallet, Utility Knife, 5/8 Concrete Drill Bit, Sledge Hammer.



ShelterLogic, LLC
 150 Callender Road
 Watertown, CT 06795
www.shelterlogic.com

1-800-524-9970

Canada:
1-866-559-6175

Model #201133

Model #201113

TABLE OF CONTENTS: TABLE DES MATIERES ÍNDICE DE MATERIAS

ASSEMBLY OF ROUNDTOP® GARAGE SHELTER:	
WARNINGS AND CAUTIONS.....	PAGE 3
PART ASSEMBLY REFERENCE NUMBER DIAGRAM 12' W X 10' H.....	PAGE 4
PART ASSEMBLY REFERENCE NUMBER DIAGRAM 12' W X 8' H.....	PAGE 5
1. PLOTTING AND SQUARING UP THE FRAME.....	PAGE 6
2. ASSEMBLE END AND MIDDLE RIBS.....	PAGE 6
3. INSTALL SIDE RAILS AND SHELTERLOCK™ STABILIZER BLOCKS.....	PAGE 7
4. INSTALL WIND BRACES.....	PAGE 7
5. INSTALL TOP RAIL.....	PAGE 7
6. SECURE BASE FEET.....	PAGE 8
7. INSTALL AUGER ANCHORS.....	PAGE 8
8. ZIPPER DOOR AND OR END PANEL INSTLLATION.....	PAGE 8
9. INSTALLING THE COVER ON THE FRAME.....	PAGE 9
10. SECURING YOUR COVER.....	PAGE 10
<hr/>	
ASSEMBLAGE DE CHARPENTE ROUNDTOP® GARAGE SHELTER.....	PAGE 11
MISE EN GARDE-GARANTIE.....	PAGE 12
SÉPARER LE DIAGRAMME DE NOMBRE DE RÉFÉRENCE D'ASSEMBLÉE 12'WX10'H.....	PAGE 13
SÉPARER LE DIAGRAMME DE NOMBRE DE RÉFÉRENCE D'ASSEMBLÉE 12'WX8'H.....	PAGE 14
1. PRÉPARER ET VÉRIFIER LES ANGLES DE LA CHARPENTE.....	PAGE 15
2. ASSEMBLER LES OSSATURES DE BOUTS ET CENTRALES.....	PAGE 15
3. INSTALLER LES BARRES TRANSVERSALES ET LES BLOQUES STABILISATEUR SHELTERLOCK™	PAGE 16
4. INSTALLEZ LES RENFORT CONTRE VENT.....	PAGE 16
5. INSTALLER LA BARRE SUPÉRIEUR.....	PAGE 16
6. SÉCURISEZ LES PIEDS.....	PAGE 17
7. INSTALLATION DES ANCRES.....	PAGE 17
8. PORTE Á GLISSIÈRE ET PANNEAU ARRIÈRE.....	PAGE 17
9. INSTALLER LA TOITURE SUR LA CHARPENTE.....	PAGE 18
10. SÉCURISEZ VOTRE TOITURE.....	PAGE 19
<hr/>	
ENSAMBLE DE ESTRUCTURA DE PARTE ROUNDTOP® GARAGE SHELTER.....	PAGE 20
PRECAUCIÓN-GARANTÍA.....	PAGE 21
DESPIDA ESQUEMA DE NÚMERO DE REFERENCIA DE ASAMBLEA 12' W X 10' H.....	PAGE 22
DESPIDA ESQUEMA DE NÚMERO DE REFERENCIA DE ASAMBLEA 12' W X 8' H.....	PAGE 23
1. PLANIFICACIÓN Y AJUSTE DE LA ESTRUCTURA.....	PAGE 24
2. ENSAMBLE LAS CERCHAS TERMINALES Y LAS INTERMEDIAS.....	PAGE 24
3. INSTALE LOS LARGUEROS LATERALES Y LOS BLOQUES ESTABILIZADORES SHELTERLOCK™	PAGE 25
4. INSTALE LAS RIOSTRAS CONTRA VIENTO.....	PAGE 25
5. INSTALE EL LARGUERO SUPERIOR.....	PAGE 25
6. ASEGURE LAS PATAS DE BASE.....	PAGE 26
7. INSTALE LOS ANCLAJES DE BARRENA.....	PAGE 26
8. INSTALACIÓN DE LA PUERTA DE CREMALLERA O DEL PANEL TERMINAL.....	PAGE 26
9. INSTALACIÓN DE LA CUBIERTA EN LA ESTRUCTURA.....	PAGE 27
10. CÓMO ASEGURAR LA CUBIERTA.....	PAGE 28

Please read instructions COMPLETELY before assembly. This Canopy MUST be anchored.

WARNINGS, CAUTIONS, CARE & CLEANING:

WARNING:

Prior to installation, consult with all local and municipal codes regarding the installation of temporary shelters. Choose the location of your shelter carefully. Check for overhead utility lines, tree branches or other structures. DO NOT install near roof lines or other structures that could shed snow, ice or excessive run off onto your shelter. DO NOT hang objects from the roof or support cables. Do not smoke or use open flame devices in or around the shelter. DO NOT store flammable liquids (gasoline, kerosene, propane, etc.) in your shelter. Do not expose top or sides of the shelter to open fire or other flame source. DO NOT use grills, fire pits, deep fryers or smokers inside the shelter. DO NOT use hard-edged tools or instruments like rakes or shovels to remove snow. This could result in punctures to the cover.

CAUTION:

Use CAUTION when assembling this shelter. Be aware of unsecured overhead poles. Our products are designed to offer protection from damage caused by the sun, light rain, tree sap, bird and animal excrement, and light snow. It is not designed to hold loads from high winds, heavy snow or ice storms.

GUARANTEE:

Instant shelters carry a full 1 year limited warranty against defects in workmanship. Proper anchoring, keeping cover tight and free of snow and debris is the responsibility of the consumer. **SHELTERLOGIC®** does not guarantee this temporary fabric shelter from high wind, heavy snow, and ice storms or other acts of nature and is not responsible for damage to the unit or the contents. If extreme weather is forecast, we recommend the cover be removed. Check with your insurance carrier for any damage as you would for any other outdoor structure or personal property claims.

PROPER ANCHORING OF INSTANT GARAGE FRAME:

NOTE: PROPER ANCHORING OF THE FRAME IS THE RESPONSIBILITY OF THE CONSUMER. Make sure shelter frame and cover are properly anchored prior to installation. Periodically check the shelter anchors or stakes to ensure stability of shelter. The preferred anchoring system includes the use of auger style screw in or EZ hook anchors and cables/rope attached to each rib. Mobile home anchors will also work. Any frame that is not anchored properly or securely has the potential to become damaged by wind or snow and is not covered.



REPLACEMENT PARTS, ASSEMBLY, SPECIAL ORDERS:

Replacement parts and accessories are available for this and all **SHELTERLOGIC®** products. We offer several anchoring kits for nearly any application including spare parts, as well as additional covers and other accessories. Any Item purchased is shipped factory direct to your door, and is of high quality.

**For more information, please call customer service department at 1-800-524-9970
Monday-Friday 8:30 AM-8:00 PM EST, Saturday-Sunday 8:30 AM-5:00 PM EST.**

CARE AND CLEANING:

A tight cover will ensure longer life and performance. Always maintain a tight cover. Loose fabric can accelerate deterioration of cover. Immediately remove any accumulated snow or ice from the roof structure with a broom, mop or other soft-sided instrument. DO NOT use "Protect and Shine", bleach or harsh abrasive products to clean the fabric cover. Cover can be easily cleaned with mild soap and water.

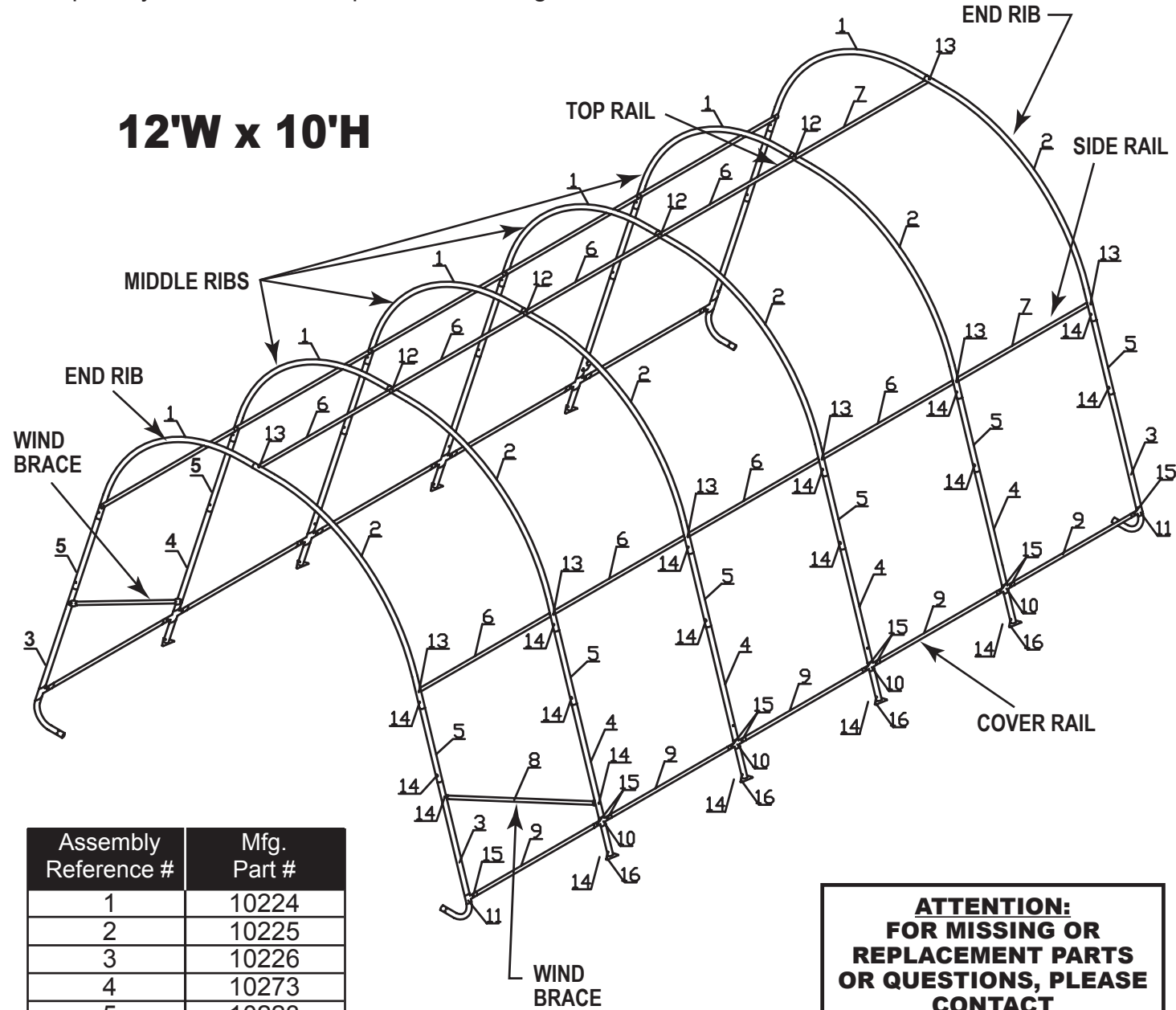
THIS IS A TEMPORARY STRUCTURE AND NOT RECOMMENDED AS A PERMANENT STRUCTURE.

12'W x 10'H (or 8'H) RoundTop® Frame Assembly

Please read and understand instructions completely before assembly.

Layout out frame parts as shown and match up items with quantity to make sure no parts are missing.

12'W x 10'H



Assembly Reference #	Mfg. Part #
1	10224
2	10225
3	10226
4	10273
5	10223
6	02030
7	02031
8	10205
9	10110
10	10111
11	10112
12	00669
13	10210
14	10114
15	10115
16	10270
17	800260

ATTENTION:
FOR MISSING OR REPLACEMENT PARTS OR QUESTIONS, PLEASE CONTACT CUSTOMER SERVICE:
1.800.524.9970
CANADA 1.800.559.6175

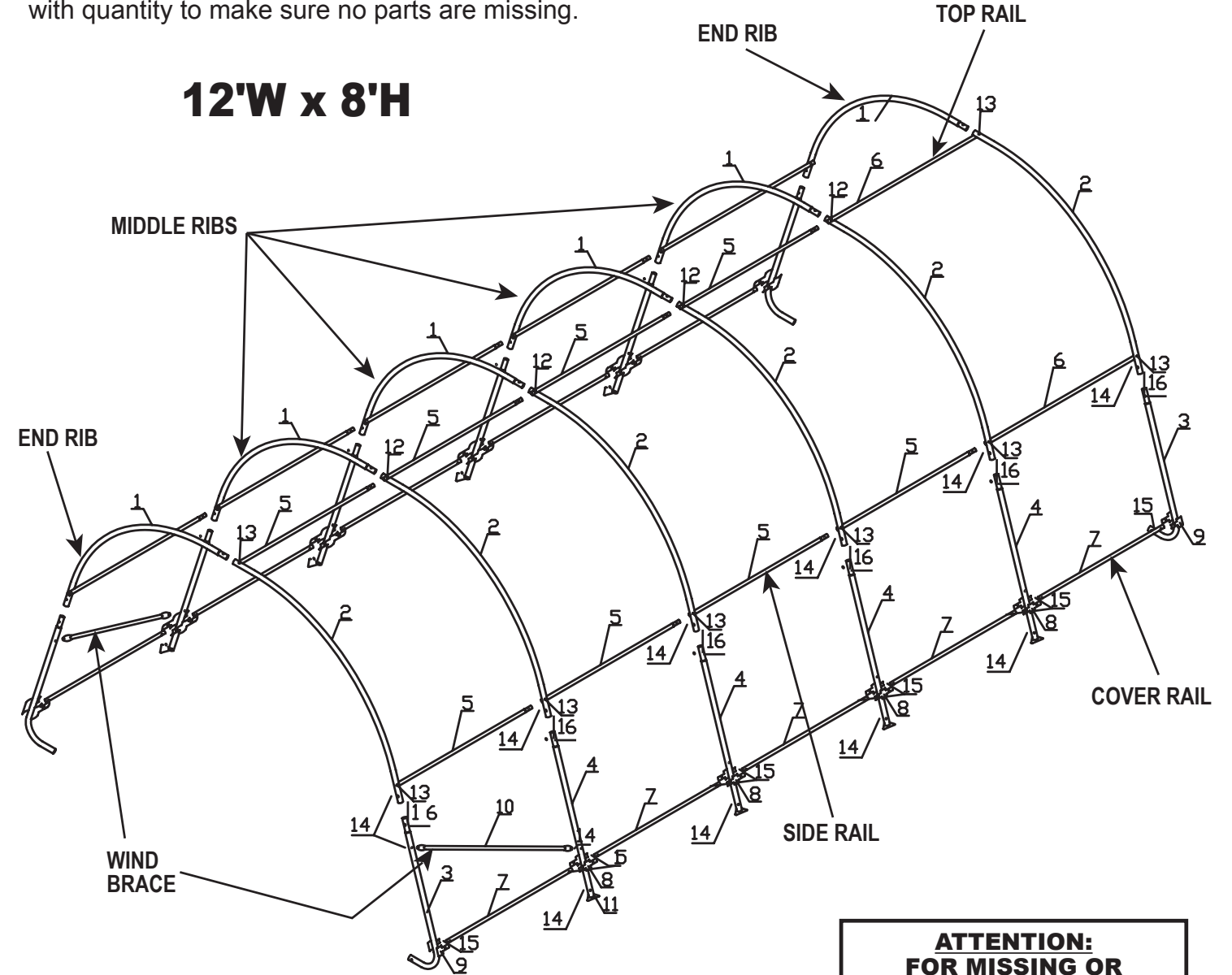

ShelterLogic®
www.shelterlogic.com
 ShelterLogic, LLC
 150 Callender Road
 Watertown, CT 06795

12'W x 8'H (or 10'H) RoundTop® Frame Assembly

Please read and understand instructions completely before assembly.

Layout out frame parts as shown and match up items with quantity to make sure no parts are missing.

12'W x 8'H



Assembly Reference #	Mfg. Part #	Assembly Reference #	Mfg. Part #
1	10224	9	10112
2	10225	10	10205
3	10226	11	10270
4	10273	12	00669
5	02030	13	10210
6	02031	14	10114
7	10110	15	10115
8	10111	16	800260

ATTENTION:
FOR MISSING OR REPLACEMENT PARTS OR QUESTIONS, PLEASE CONTACT CUSTOMER SERVICE:
1.800.524.9970
CANADA 1.800.559.6175


ShelterLogic®
www.shelterlogic.com
 ShelterLogic, LLC
 150 Callender Road
 Watertown, CT 06795

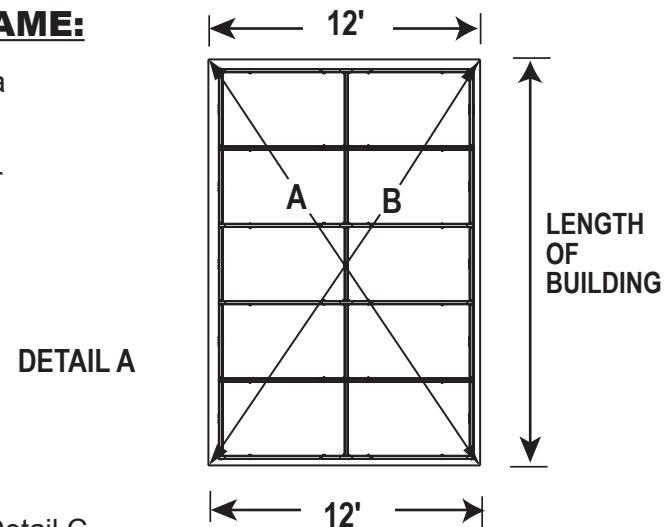
ASSEMBLY OF ROUNDTOP® GARAGE SHELTER

NOTE FOR FRAME EXTENSION KIT: 12' x 20' x 8' is the base frame dimension. Your model may have more middle ribs than shown in the illustrations. You will receive one extra rib for every extra 4 feet of building length that you purchase. The basic frame assembly will remain the same. The cover will be the correct size for the length of the building ordered.

1. PLOTTING AND SQUARING UP THE FRAME:

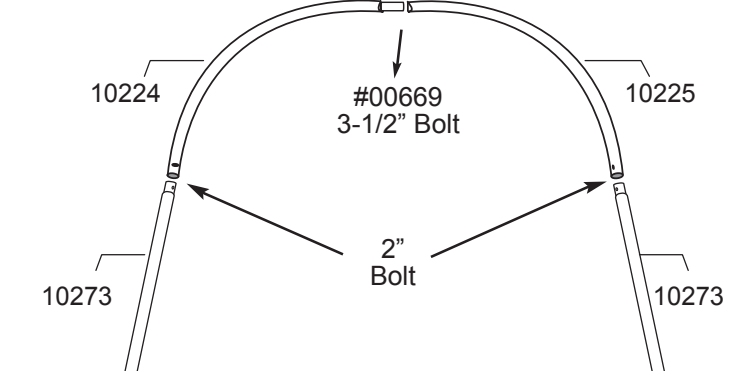
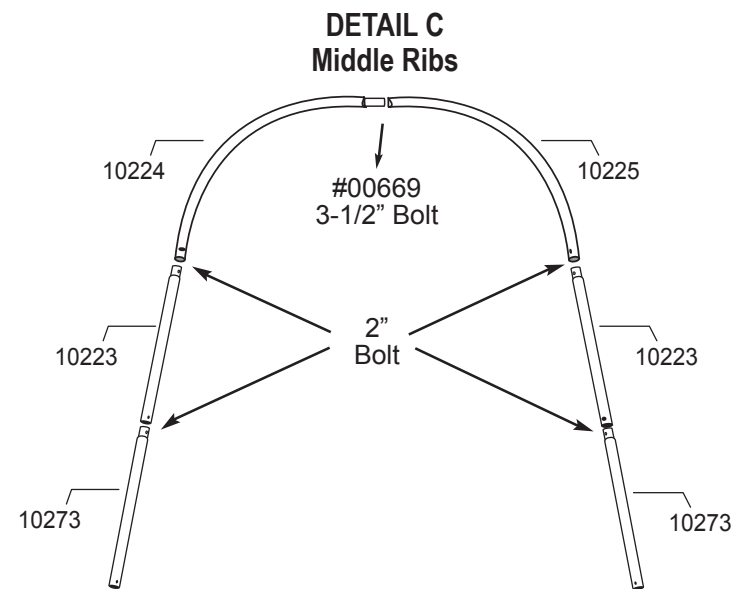
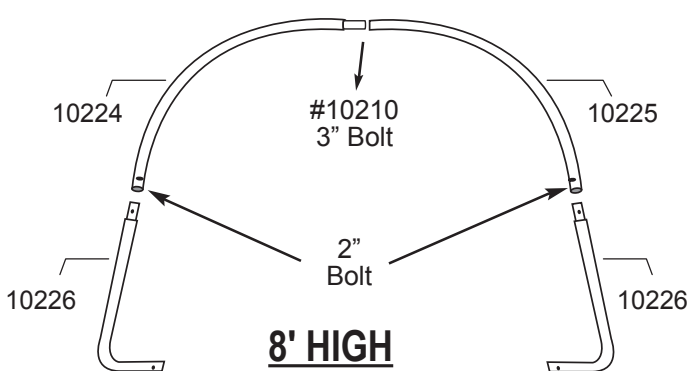
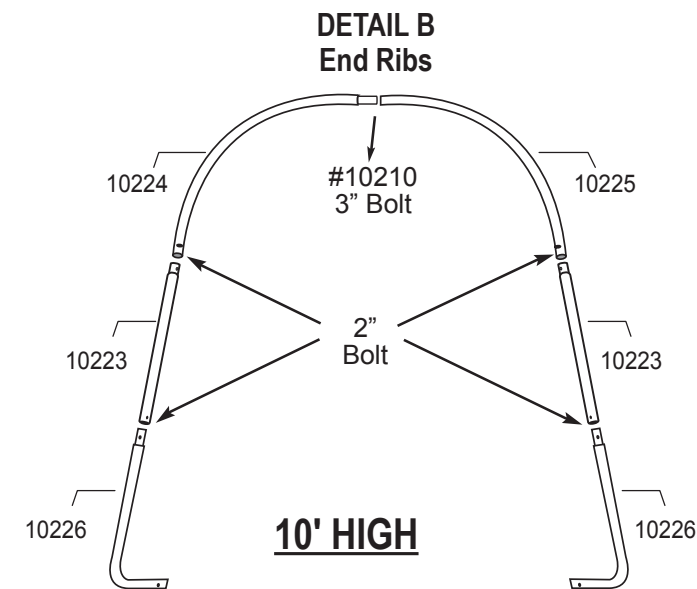
A. Before building your shelter, you should choose a flat area on your property and plot your shelter. Stake out the area for the frame in the desired spot. Check that it measures 12' in width and the length would be determined by the size shelter you purchased. Tie a rope diagonally from corner to corner.

B. Measure across area, end to opposite end. See Detail A. The measurement A and B should be equal.



2. ASSEMBLE END AND MIDDLE RIBS:

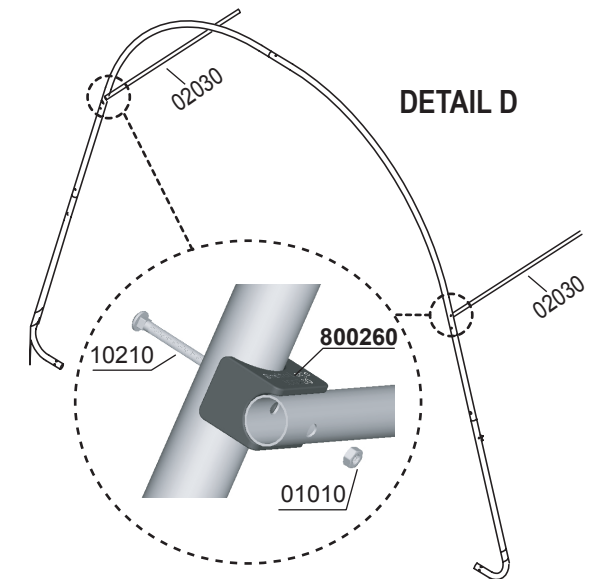
A. Assemble end and middle ribs as shown in Detail B and Detail C. Securely fasten all of the joints with the hardware indicated.



3. INSTALL SIDE RAILS AND SHELTERLOCK™ STABILIZER BLOCKS:

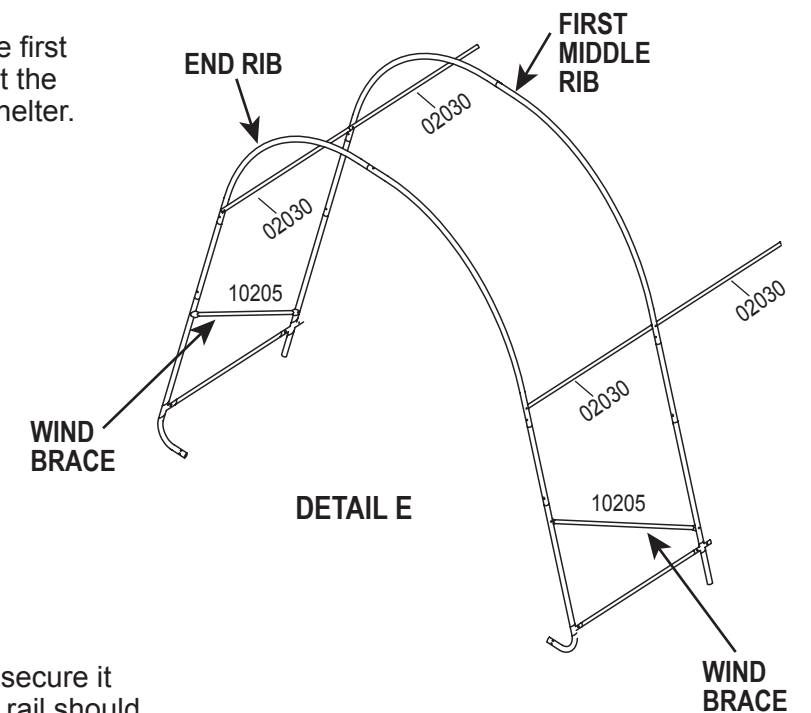
A. Place assembled first end rib in the staked area. Place the ShelterLock™ on the upright as shown in Detail D. From the outside of the rib insert the bolt through the upright and then through the ShelterLock™.

B. Place the plain end of the side rail over the bolt and nest it into the ShelterLock™. Install the nut onto the bolt and tighten. Repeat these steps for the opposite side and all of the remaining ribs. The side rails for the last rib will have two plain ends.



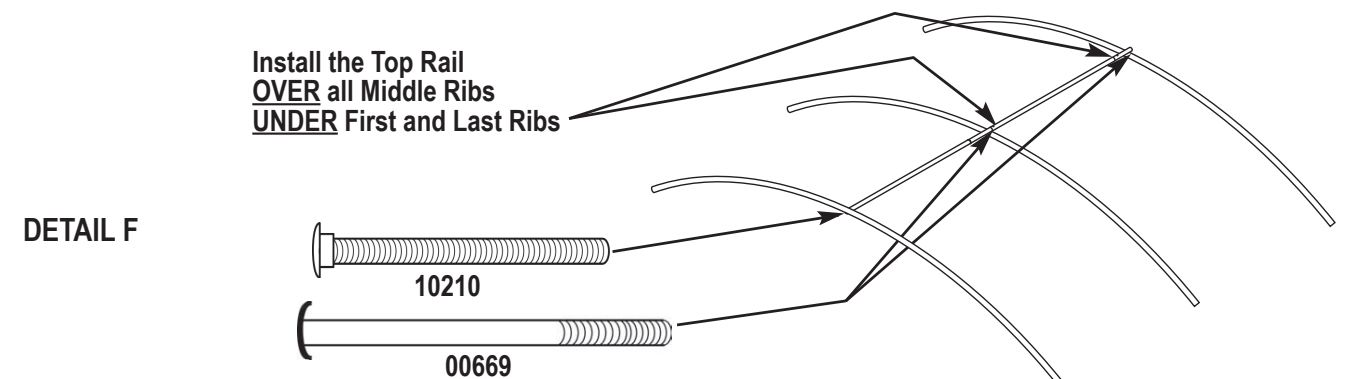
4. INSTALL WIND BRACES:

A. Attach wind brace between the end rib and the first middle rib as shown in Detail E. Bolts attached at the cross rails should be inserted facing inside the shelter.



5. INSTALL TOP RAIL:

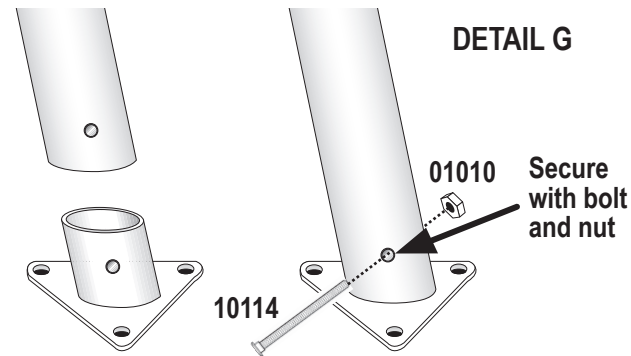
A. Place the first top rail under each end rib and secure it with a bolt as shown in Detail F. The same cross rail should lay on top of the all middle ribs. Secure the rails to the frame with the hardware indicated in Detail F. The top rail attached to the last rib will be installed under the pipe.



6. SECURE BASE FEET:

A. Depending on the model purchased, your base feet will either fit onto the outside of the leg pole, or slide into the bottom of the leg pole.

B. After installing the base feet, line up the holes in the leg to the holes in the feet and secure with the hardware indicated in Detail G.



7. INSTALL AUGER ANCHORS:

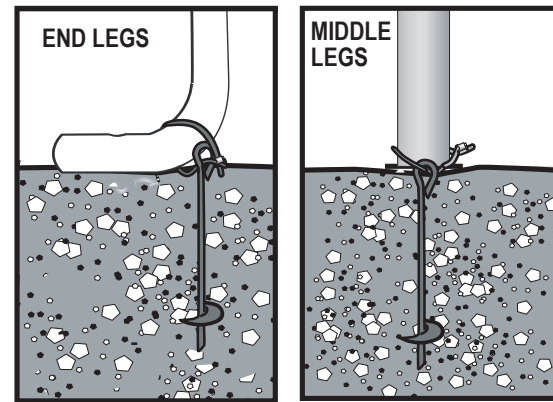
A. Anchors must be placed inside shelter. Start at the corners of the shelter. Insert a 3/4" pipe or steel rod, through the eyelet of the auger and screw the anchor into the ground. (If ground is too hard, dig a hole with a shovel or post hole tool.)

OPTIONAL: Fill with cement.

B. Space out the remaining anchors evenly along the length of the shelter. Screw the anchor into the ground until the eyelet is sticking out of the ground by 1-2" so it can be anchored to the legs.

C. Wrap the cable provided through the eyelet of the anchor and around the frame as indicated in Detail H. Secure the cable with the clamps provided.

D. Repeat for middle legs by attaching cable around foot plates.



DETAIL H

8. ZIPPER DOOR AND OR END PANEL INSTALLATION:

A. Hold the end panel at the top center with the white inner surface facing the inside of the shelter (if you have a white shelter the inner surface has the visible weld seams).

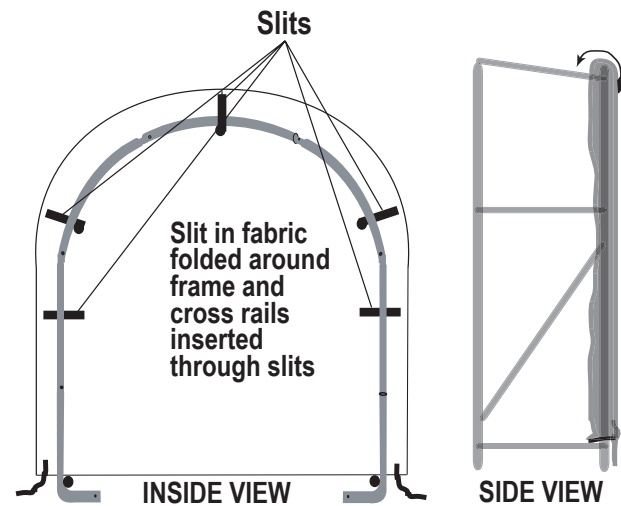
B. Unscrew top rail from the top bend and place the webbing in between. The top rail should pass through the loop of the webbing. Reconnect top rail onto rib and secure it with the screws indicated. See Detail I.

C. Remove the nut from the side rail and carefully pull the side rail away from the ShelterLock™ (pull away only enough to pass the webbing through the connection). **If this connection has the wind brace on it remove the wind brace end before pulling the side rail.** Replace the cross rail and wind brace. See Detail J. Replace the nut and tighten. Repeat this on the other side.

D. At the bottom, where the webbing exits the pocket on each side of end panel, pull webbing to remove the slack. Be careful not to pull the webbing through the other side of the panel.

E. Install the "S"-hook from the ratchet into the leg of the shelter. Insert the webbing into the spindle of the ratchet and pull tight. See Detail J. Wind the ratchet so that the webbing overlaps itself. Repeat this process on the other side of the panel. Position the end panel so that it is centered on the building.

F. Tighten the ratchets, alternating from one side to the other, until the end panel is tight. Repeat these steps on the other end of the building.



DETAIL I



DETAIL J



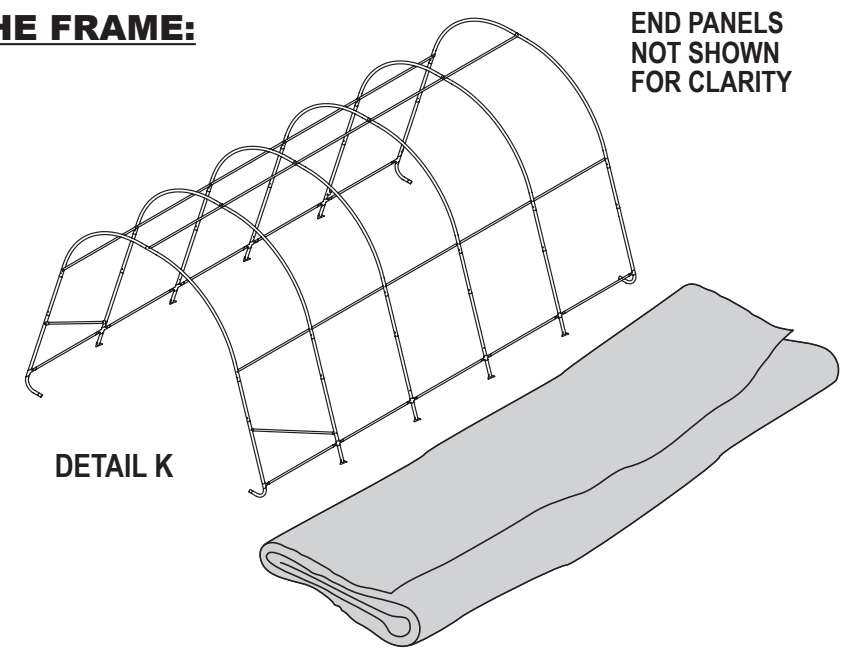
9. INSTALLING THE COVER ON THE FRAME:

A. Lay the cover on the ground next to the frame with the inside of the cover (the side with the pipe pockets) facing down and the webbing on the front and rear of the corner of the building. Position the cover so that it is centered on the frame, front to back. See Detail K.

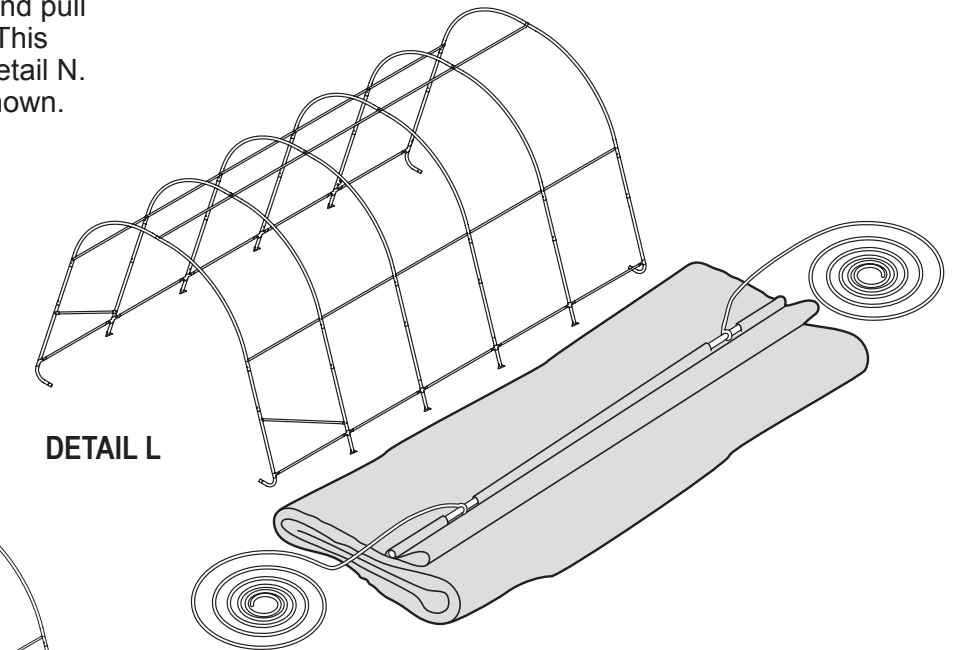
B. Fold over the side so the pipe pocket is now accessible. Insert a cover pipe into the pipe pocket slot, at the first middle rib from the front and the first middle rib from the rear. Some of the pipe will be exposed. For long buildings it may be necessary to use additional pipes in the middle. See Detail L. Remove pocket pipe to install later.

C. Tie the rope on each of the exposed pipes and throw the other end of the rope over the frame. See Detail M.

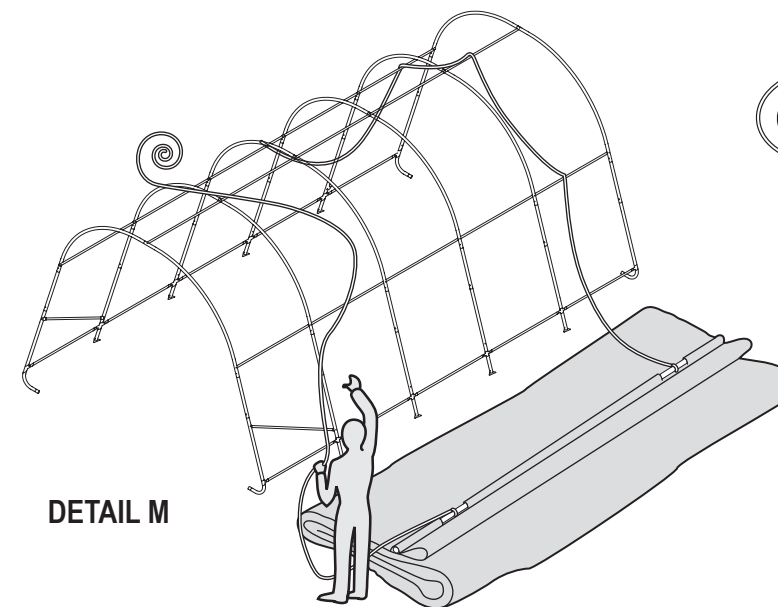
D. Move to the other side of the frame and pull the cover over the frame with the rope. This may require two or more people. See Detail N. Check that the Logo reads upright as shown.



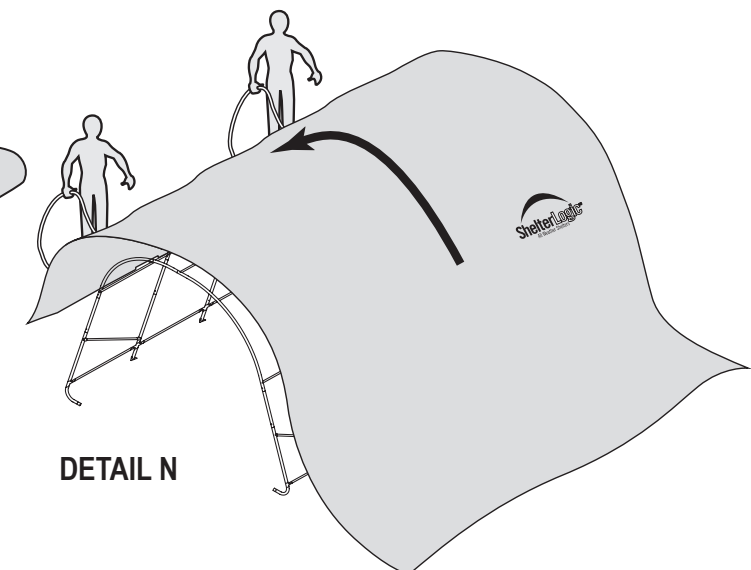
DETAIL K



DETAIL L



DETAIL M



DETAIL N

10. SECURING YOUR COVER:

A. Install the "S"-hook from the ratchet assembly into the legs of the shelter. Pull the webbing carefully to remove the slack from the cover. Do not pull the webbing through the opposite side of the cover.

B. Insert the webbing through the spindle of the ratchet and pull tight. See Detail O. Wind the ratchet until the webbing overlaps itself. Repeat these steps on the opposite side, then repeat this on the back side of the shelter.

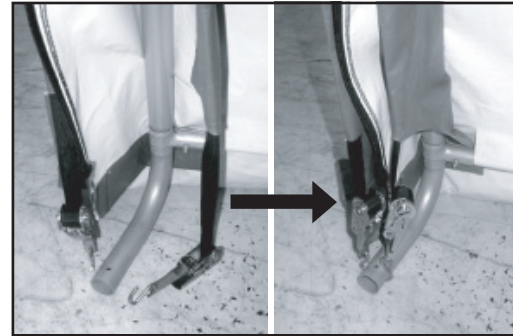
C. When all of the corners are secured, adjust the cover front to back so that it is centered. When the cover is centered, tighten all of the ratchets. Do this in an "X" pattern to be sure it is tightened evenly. See Detail O.

D. Install the cover rails (10110) by inserting them into the pipe pockets on each side of the cover. Bolt (10115) the rails to the ribs using the 3-way and 4-way clamps as shown in Detail P. Check that the rails are evenly spaced 8" above the ground on both sides. Push down on the cover rails and connectors, one at a time, to tighten the bolted clamps and the cover.

IMPORTANT: Install bolt caps (10150) on exposed bolts on side rails and wind braces to prevent injury.



OUTSIDE
CORNER
VIEW

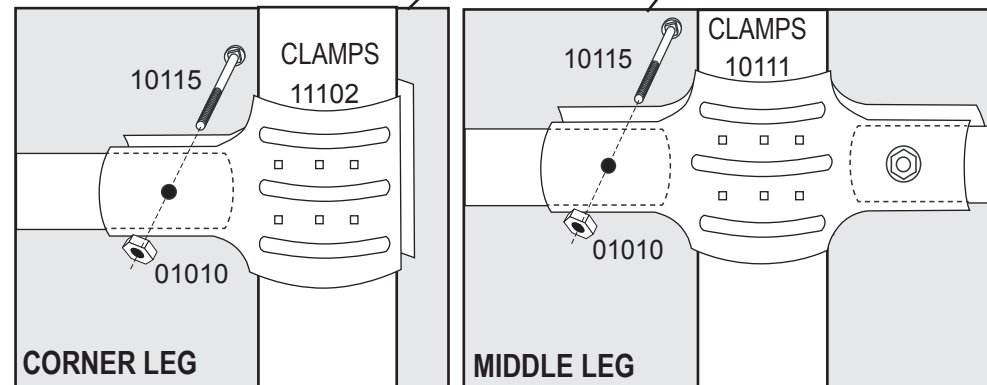
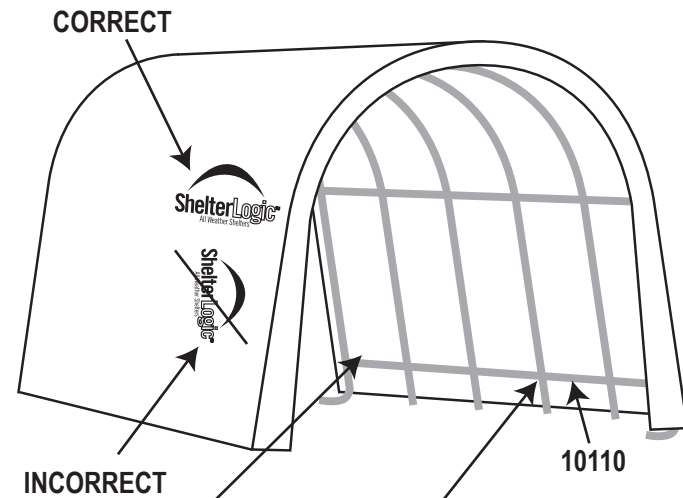


DETAIL O

DETAIL P

NOTE: CHECK THAT YOUR COVER IS CORRECTLY PLACED ON THE FRAME.

The ShelterLogic® logo should line up on the left front and right rear corners near the top rail. If the logo is not legible and positioned as shown as "incorrect", the cover has not been put on the frame correctly.



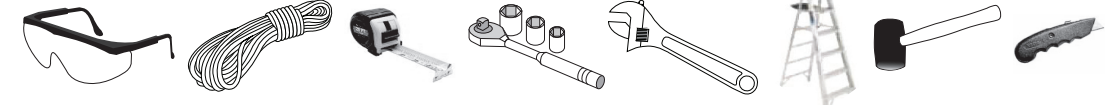
Cover Tightening Tip

Check and tighten Ratchets and Cross Rails monthly to ensure the cover is tight.



**Lire TOUTES les instructions avant de monter.
Cet abri DOIT être bien ancré.**

Avant de commencer: Il faut 2+ personnes ou plus pour le montage qui prend environ 3 heures.
Outils recommandés: Lunettes de Sureté, Corde, Mètre, Cliquet avec Douille d' 1.1cm (7/16po), Clé à molette, Escabot/Echelle, Maillet de caoutchouc, Couteau d' utilitaire.



WARNING: Serious injury to persons or property could result if cover is installed and shelter is not completed and is left unattended. Shelter must be securely anchored until completed.

AVERTISSEMENT:

Avant d'installer, consulter tous les codes locaux et municipaux concernant l'installation d'abris temporaires. Choisir soigneusement l'emplacement de l'abri. Faire attention aux lignes électriques au dessus de la tête, aux branches et aux autres structures. NE PAS installer près d'un toit ou d'autres structures qui pourraient faire tomber de la neige, de la glace ou une quantité d'eau excessive sur l'abri. NE PAS pendre d'objets du toit ou des câbles de support. Ne pas fumer ou utiliser des appareils avec une flamme nue dans ou près de l'abri. NE PAS stocker des produits inflammables (comme de l'essence, du kérosène, du propane, etc.) dans l'abri. Ne pas exposer le dessus ou les côtés de l'abri à un feu ouvert ou à d'autres sources de flammes. NE PAS utiliser grils, foyers, friteuses ou fumoirs à l'intérieur de l'abri. NE PAS UTILISER d'instruments à bords acérés ou des outils comme des râpeaux ou des pelles à neige. Cela pourrait trouer le toit.

MISE EN GARDE:

PRENDRE GARDE pendant le montage de ce toit. Faire attention aux poteaux non fixés au dessus de la tête. Nos produits sont conçus pour protéger contre les dommages causés par le soleil, une pluie légère, la résine, les excréments d'animaux et d'oiseaux et la neige poudreuse. **Ils ne sont pas conçus pour résister aux charges causées par de grands vents, une grande quantité de neige ou une tempête de glace.**

GARANTIE:

Les toits de garages offrent une garantie complète limitée d'un an contre les défauts de fabrication. Ancrer correctement, garder le toit serré et sans neige ni débris est la responsabilité du consommateur. **SHELTERLOGIC®** ne garantit pas cet abri temporaire en toile contre les vents violents, une forte neige, la pluie ou d'autres actes de la nature et ne sera pas tenu responsable des dommages à l'unité ou au contenu. Si un temps extrêmement mauvais est prévu, nous recommandons d'enlever le toit. Vérifier avec son assurance pour tous dommages comme on le ferait pour un autre bâtiment extérieur ou pour une réclamation de biens personnels.

ANCRAGE CORRECT DE LA CHARPENTE DU GARAGE:

REMARQUE: LE CONSOMMATEUR EST RESPONSABLE DE L'ANCRAGE CORRECT DE LA CHARPENTE.

S'assurer que la charpente de l'abri et que le toit soient correctement ancrés avant de poser ce toit de rechange. Vérifier périodiquement l'ancrage de l'abri ou les piquets pour assurer la stabilité de l'abri. Le système d'ancrage préféré comprend l'utilisation d'ancres à vis de type tarière ou de crochets EZ et de câbles/cordes attachés à chaque nervure. Des ancres de mobile home peuvent aussi être utilisées. Toute charpente qui n'est pas ancrée correctement ou de façon sécurisée peut être endommagée par le vent, la pluie ou la neige et n'est pas couverte.



PIÈCES DE RECHANGE, MONTAGE, COMMANDES SPÉCIALES:

Des pièces de rechange et des accessoires sont disponibles pour ce produit et pour tous les produits **SHELTERLOGIC®**. Nous offrons plusieurs kits d'ancrage pour presque toutes les utilisations. Aussi supplémentaires et autres accessoires. Tout article acheté est expédié directement de l'usine chez vous et est d'excellente qualité.

Pour plus de renseignements, contacter notre service clientèle au 1 800 524-9970 du lundi au vendredi de 8 h 30 à 20 h HNE, samedi à dimanche de 8 h 30 à 17 h HNE.

ENTRETIEN ET NETTOYAGE:

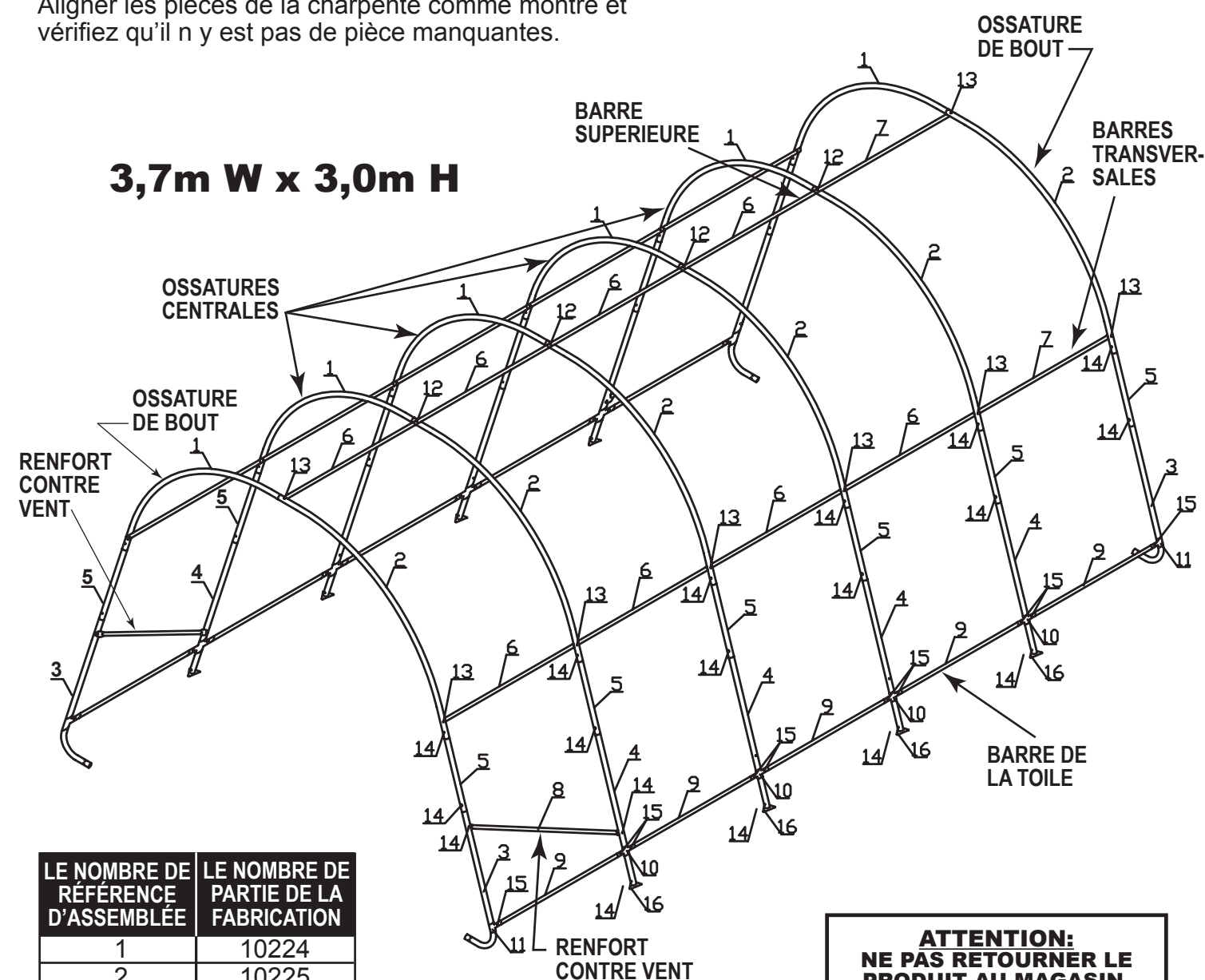
Un toit bien serré permet de garantir une durée de vie plus longue et des performances durables. Toujours maintenir un toit serré. Un tissu lâche peut accélérer la détérioration du toit. Retirer immédiatement toute accumulation de neige ou de glace de la structure du toit avec un balai, une serpillière ou un autre outil à bord doux. NE PAS utiliser de produit de protection lustrant, corrosif ou abrasif pour nettoyer le toit en tissu. De l'eau et du savon doux sont recommandés pour nettoyer le toit en tissu de l'abri. On peut facilement nettoyer le toit et les murs au savon doux et à l'eau.

CECI EST UNE STRUCTURE TEMPORAIRE, IL N'EST PAS RECOMMANDÉ D'EN FAIRE UNE STRUCTURE PERMANENTE.

3,7m W x 3,0m H (or 2,4m H) Assemblage de charpente RoundTop®

Faites attention de bien lire et comprendre les instructions avant de commencer l'assemblage.

Aligner les pièces de la charpente comme montré et vérifiez qu'il n'y est pas de pièce manquantes.



LE NOMBRE DE RÉFÉRENCE D'ASSEMBLÉE	LE NOMBRE DE PARTIE DE LA FABRICATION
1	10224
2	10225
3	10226
4	10273
5	10223
6	02030
7	02031
8	10205
9	10110
10	10111
11	10112
12	00669
13	10210
14	10114
15	10115
16	10270
17	800260

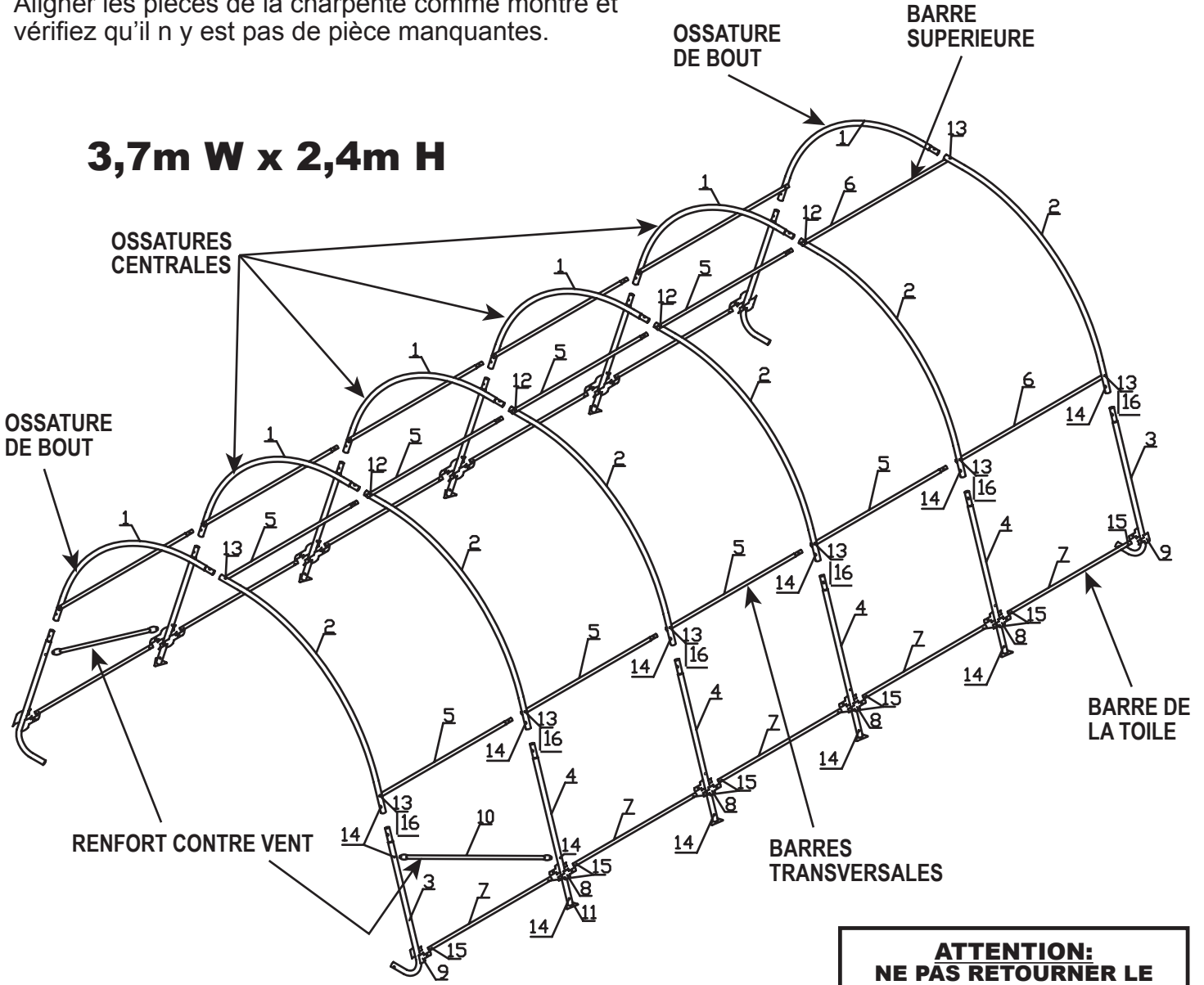
ATTENTION:
NE PAS RETOURNER LE PRODUIT AU MAGASIN.
Pour pièces manquantes, de rechange ou pour se faire aider, APPELER le service à la clientèle:
1.800.524.9970
CANADA 1.800.559.6175


ShelterLogic®
www.shelterlogic.com
ShelterLogic, LLC
150 Callender Road
Watertown, CT 06795

3,7m W x 2,4m H (or 3,0m H) Assemblage de charpente RoundTop®

Faites attention de bien lire et comprendre les instructions avant de commencer l'assemblage.

Aligner les pièces de la charpente comme montré et vérifiez qu'il n'y est pas de pièce manquantes.



3,7m W x 2,4m H

LE NOMBRE DE RÉFÉRENCE D'ASSEMBLÉE	LE NOMBRE DE PARTIE DE LA FABRICATION	LE NOMBRE DE RÉFÉRENCE D'ASSEMBLÉE	LE NOMBRE DE PARTIE DE LA FABRICATION
1	10224	9	10112
2	10225	10	10205
3	10226	11	10270
4	10273	12	00669
5	02030	13	10210
6	02031	14	10114
7	10110	15	10115
8	10111	16	800260

ATTENTION:
NE PAS RETOURNER LE PRODUIT AU MAGASIN. Pour pièces manquantes, de rechange ou pour se faire aider, APPELER le service à la clientèle: 1.800.524.9970 CANADA 1.800.559.6175


ShelterLogic®
www.shelterlogic.com
ShelterLogic, LLC
150 Callender Road
Watertown, CT 06795

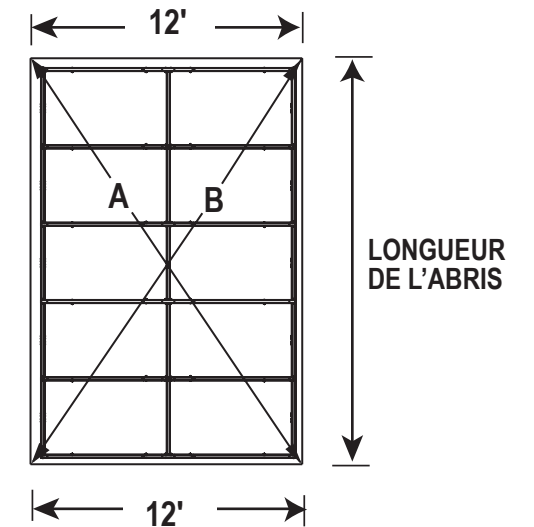
L'ASSEMBLÉE D'ABRI DE GARAGE DE ROUNDTOP®

REMARQUE: KIT D'EXTENSION DE CHARPENTE- 12' x 20' x 8' (3.7m x 6,1m x 2,4m) sont les mesures basic de la charpente. Votre model peut avoir plus de morceaux d'ossature que montré dans les illustrations. Ou recevrez une ossature de plus pour tout les 4' de longueur que vous acheter. La toile sera de la même longueur que la longueur de l'abris commandé.

1. PRÉPARER ET VÉRIFIER LES ANGLES DE LA CHARPENTE:

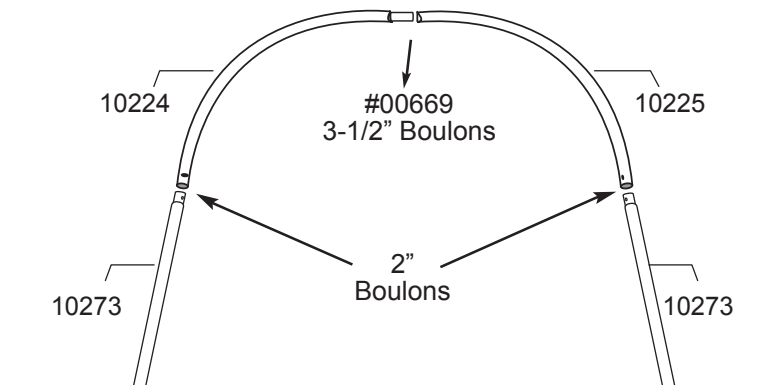
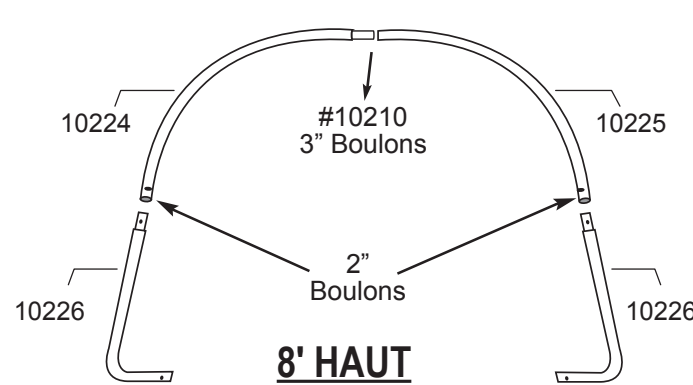
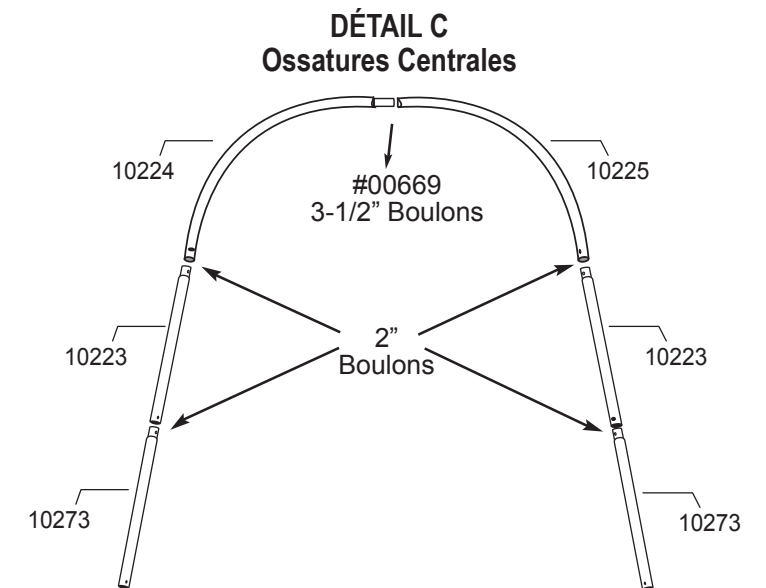
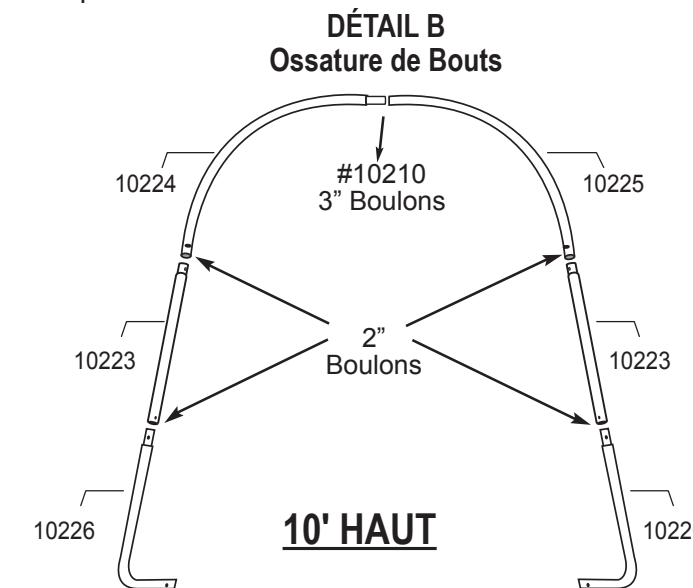
A. Avant de monter votre abris, you devriez choisir un endroit bien plat sur votre propriété pour installer votre abris. Vérifier que l'emplacement fasse bien 12' de largeur, et que la longueur corresponde à la longueur de l'abris acheté. Attacher une corde en diagonal de coin à coin.

B. Mesurez la longueur de la corde, voir détail A. Les mesures A et B doivent être égales.



2. ASSEMBLER LES OSSATURES DE BOUTS ET CENTRALES:

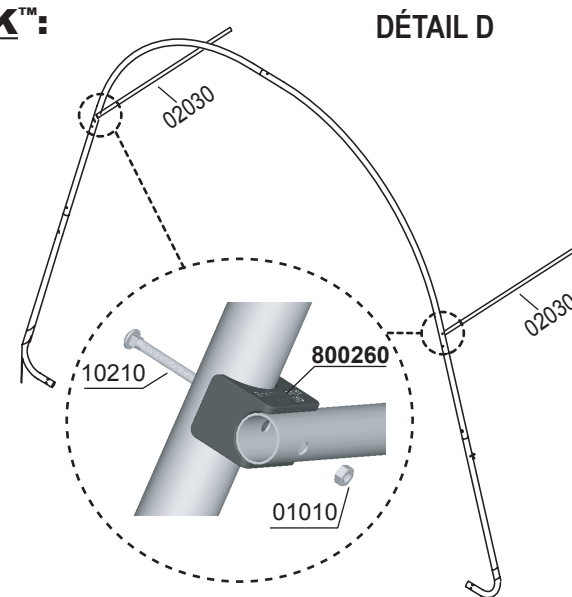
A. Assembler les ossatures de bouts et centrales comme montré dans le détail B et C. Sécuriser tout les joints avec la quincaillerie indiqué.



3. INSTALLER LES BARRES TRANSVERSALES ET LES BLOQUES STABILISATEUR SHELTERLOCK™:

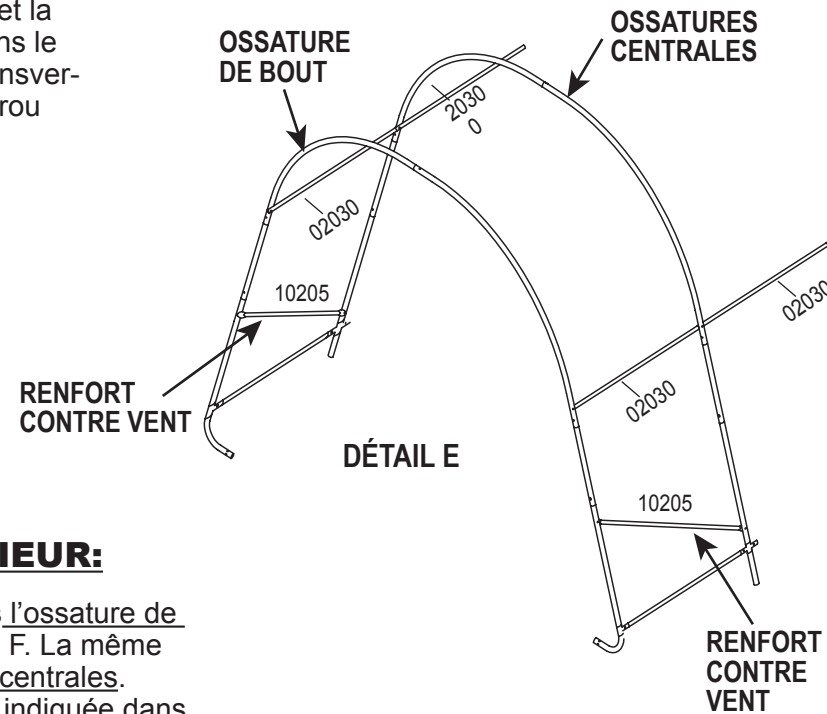
A. Positionner la première ossature assemblée dans l'emplacement prévu. Placer le Shelterlock™ en position droite comme montré dans le détail D. De l'extérieur de l'ossature, insérer le boulon dans le poteau et dans le ShelterLock™.

B. Placer le bout de la barre transversale par dessus le boulon et le positionner dans le ShelterLock™. Mettez l'écrou sur le boulon et serrez le. Répétez cela pour l'autre coté ainsi que le reste des ossatures. Les barres transversales pour la dernière ossature devrait avoir 2 bouts normal.



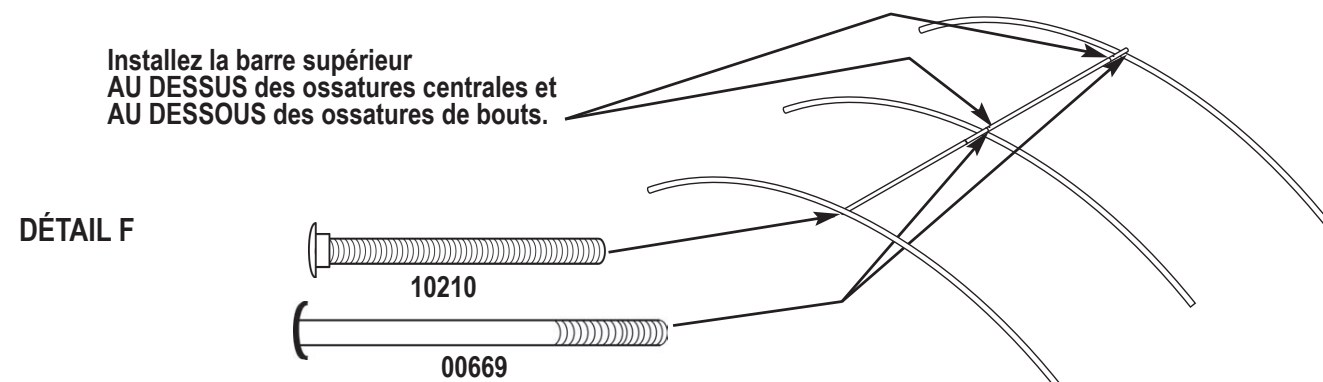
4. INSTALLEZ LES RENFORT CONTRE VENT:

A. Attachez les renfort entre l'ossature de bout et la première ossatures centrale comme montré dans le détail E. Les boulons inséré dans les barres transversales doivent être inséré de façon a ce que l'écrou soit à l'intérieur de l'abris.



5. INSTALLER LA BARRE SUPÉRIEUR:

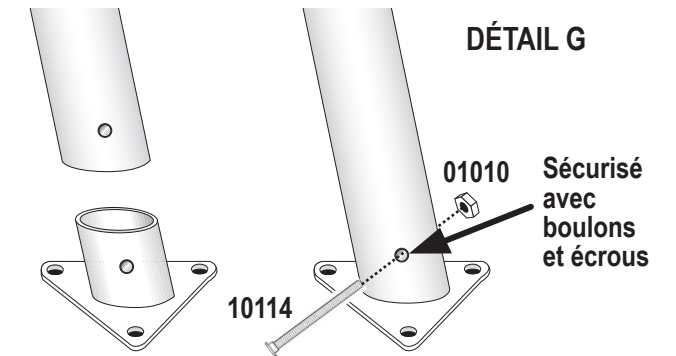
A. Positionner la première barre supérieur sous l'ossature de bout et boulonner comme montré dans le détail F. La même barre doit être posée au dessus des ossatures centrales. Sécurisez les barres en utilisant la quincaillerie indiquée dans le détail F. La barre supérieur attachée à la dernière ossature sera installée sous le haut de l'ossature.



6. SÉCURISEZ LES PIEDS:

A. Selon le modèle acheté, les pieds sera installer ou sur l'extérieur des jambes de l'abris, ou directement enfilé sur les poteaux.

B. Après avoir installé les pieds, alignez les trous des pieds avec les trous des poteaux et sécurisez avec la quincaillerie indiquée dans le détail G.



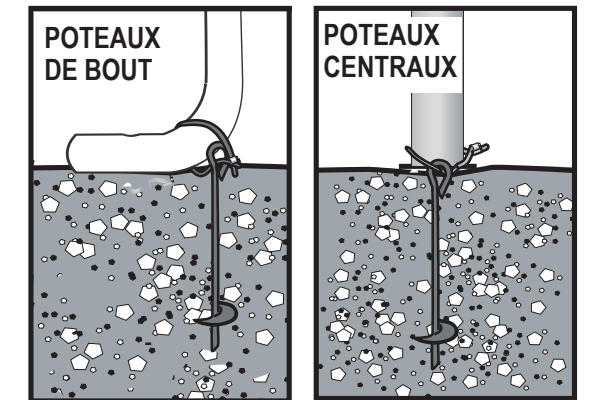
7. INSTALLATION DES ANCRES:

A. Les ancres doivent être placer à l'intérieur de l'abris. Commencez au coins de l'abris. Insérez une barre de métal dans l'œil de l'ancre, et vissez la dans le sol. (creuser un trou avec un pelle si le sol est trop dure.) **FACULTATIF: Remplir de ciment.**

B. Espacez les ancres de façon égale le long de l'abris. Vissez les ancres dans le sol de façon a ce que 1" ou 2" soit en dehors de lu sol de façon a ce que vous puissiez y accrocher les pieds.

C. Entourez le câble fournie au travers de l'œil de l'ancre, et autour de la charpente comme montré dans le détail H. Sécurisez le câble avec la pince fournie.

D. Répéter pour les jambes de milieu en attachant le câble autour des plaques de pied.



DÉTAIL H

8. PORTE À GLISSIÈRE ET PANNEAU ARRIÈRE:

A. Tenez le panneau arrière en haut du centre du panneau avec le coté blanc vers l'intérieur de l'abris (si vous avez un abris blanc, le coté intérieur est le coté avec les coutures).

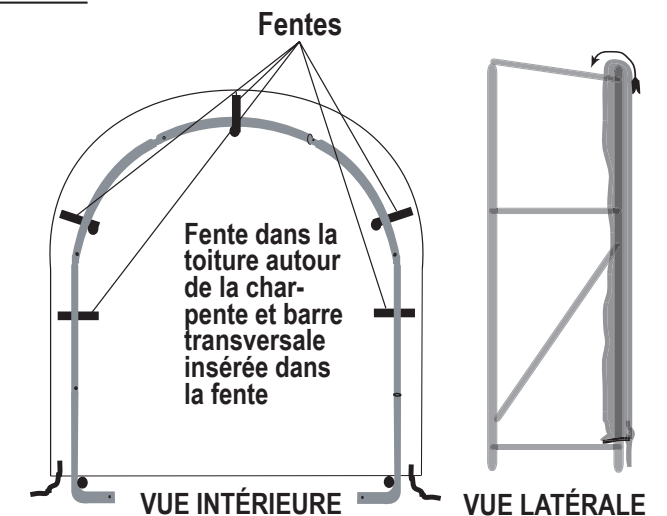
B. Déboulonnez la barre supérieur du connecteur et placer la sangle entre les deux. La barre supérieur doit passer dans l'anneau de la sangle. Reconnectez la barre supérieur au connecteur et sécurisez avec la quincaillerie indiquée. Voir Détail I.

C. Enlevez l'écrou de la barre transversale et tirez doucement sur la barre pour avoir juste l'espace nécessaire pour passer la sangle entre le SHELTERLOCK™ et la barre. **Si vous avez un renfort à cet endroit, enlever le avant de retirer la barre transversale.** Remettez le renfort et la barre transversale. Voir détail J. Remette le boulon et bien serrer. Répéter cela de l'autre coté.

D. En bas du panneau, la où les sangles sortent de chaque coté du panneau, tirez sur les sangles pour bien les tendre. Faites attention de ne pas trop tirer et de faire disparaître la sangle de l'autre coté.

E. Installer le crochet en "S" avec le cliquet dans le pied de l'abris. Insérez la sangle dans le cliquet et tirez fort. Voir détail J. Embobiner le cliquet jusqu'à ce que la sangle s'enroule autour d'elle-même. Répétez ce processus de l'autre coté du panneau. Positionner le panneau de façon bien centré sur l'abris.

F. Bien serrez les cliquets, en alternant d'un coté a l'autre, jusqu'à ce que le panneau soit bien tendu. Répétez cela de l'autre coté du panneau.



DÉTAIL I



DÉTAIL J

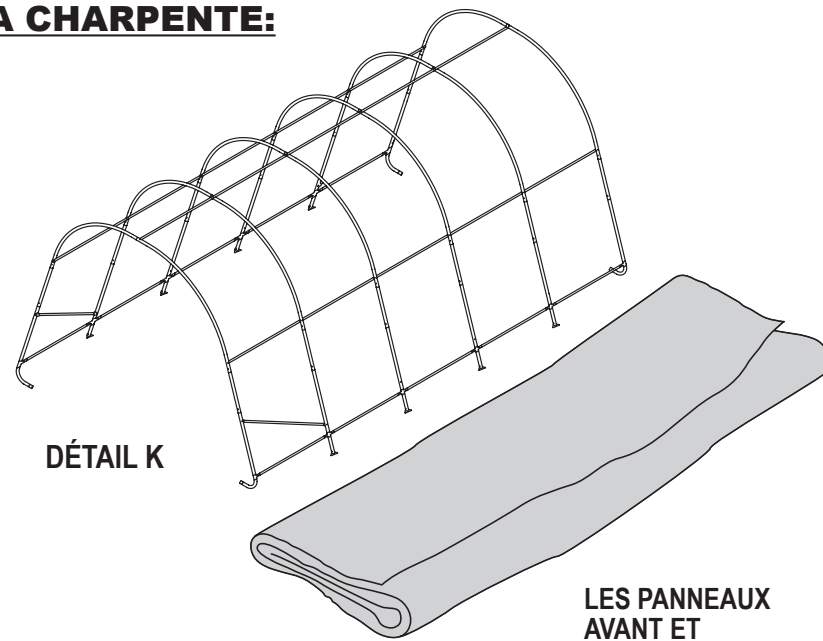
9. INSTALLER LA TOITURE SUR LA CHARPENTE:

A. Étalez la toiture sur le sol à côté de la charpente avec le côté intérieur de la toiture (le côté avec les poches) face au sol, avec les sangles à l'avant et l'arrière des coins de l'abris. Positionner la toiture de façon bien centrée avec la charpente. Voir détail K.

B. Plier la toiture de façon à ce que les poches soient maintenant accessibles. Insérez un des tuyaux dans la poche de la toiture, à la première ossature à partir de l'avant de l'abris, et à la première ossature à partir de l'arrière de l'abris. Une partie des tuyaux restera découvert. Pour les abris longs, il peut être nécessaire d'utiliser plusieurs tuyaux au milieu. Voir détail L. Retirez les tuyaux des poches pour installer plus tard.

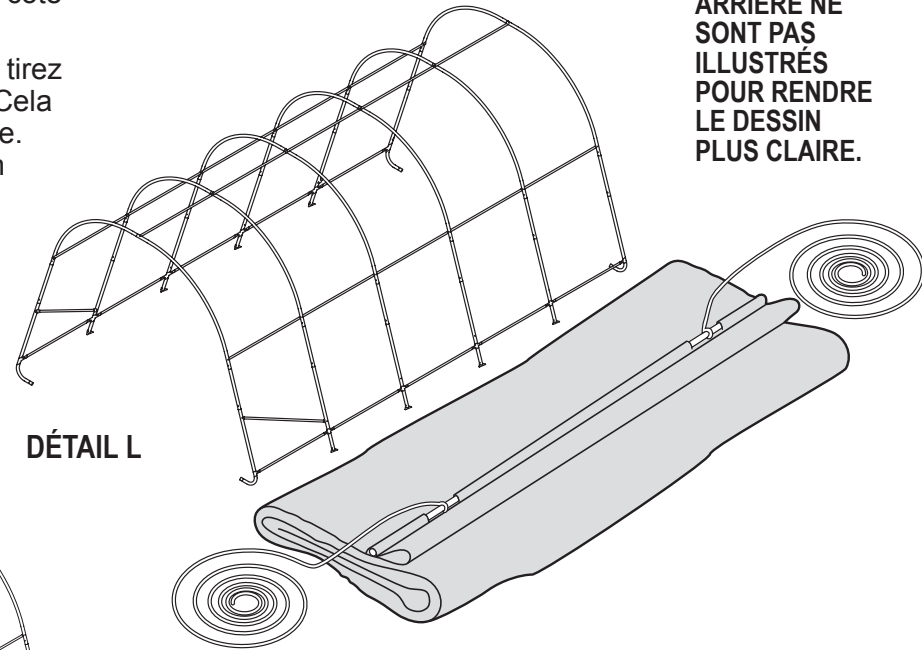
C. Attacher la corde au partie exposée des tuyaux, and lancer les embouts de l'autre côté de la charpente. Voir détail M.

D. Allez de l'autre côté de la charpente et tirez sur la toiture en vous aidant des cordes. Cela peut prendre plus d'une ou deux personnes. Voir détail N. Vérifiez que le logo soit bien droit et lisible comme montré.

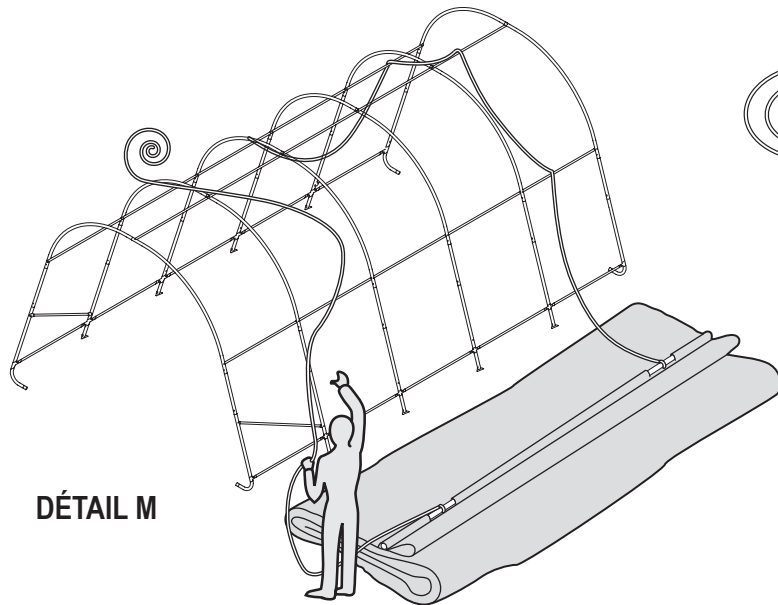


DÉTAIL K

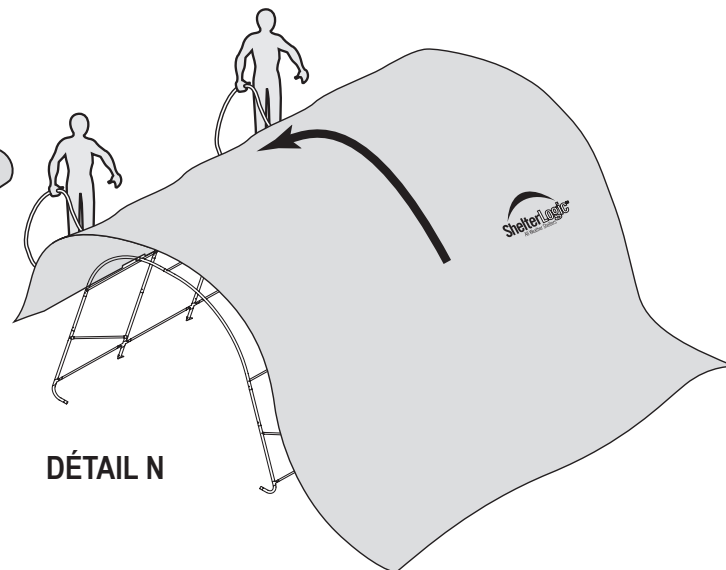
LES PANNEAUX AVANT ET ARRIÈRE NE SONT PAS ILLUSTRÉS POUR RENDRE LE DESSIN PLUS CLAIRE.



DÉTAIL L



DÉTAIL M



DÉTAIL N

10. SÉCURISEZ VOTRE TOITURE:

A. Installez le crochet en "S" avec le cliquet dans le pied de l'abris. Tirez sur la sangle pour bien tendre la toile. Faites attention de ne pas trop tirer et de faire disparaître la sangle de l'autre côté.

B. Insérez la sangle dans le cliquet et tirez fort. Voir détail O. Embobiner le cliquet jusqu'à ce que la sangle s'enroule autour d'elle-même. Répétez ce processus de l'autre côté de la toile, et ensuite à l'autre bout de l'abris.

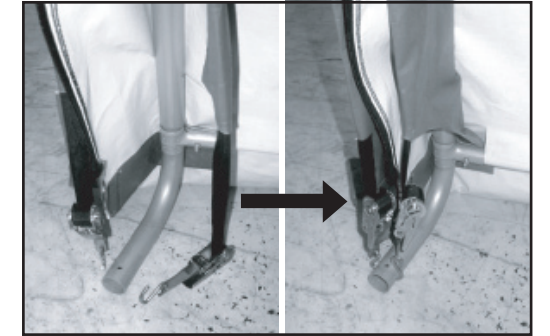
C. Quand tout les coins sont sécurisés, ajuster la toile pour qu'elle soit bien centrée sur la charpente. Que celle-ci est bien centrée, serez tout les cliquets de façon égale. Faites cela d'un coin opposé à l'autre pour s'assurer que la toile soit serrée de façon égale. Voir détail O.

D. Installez les tuyaux de poche (10110) en les enfilant dans les poches de la toiture de chaque côté. Boulonner les boulons (10115) aux tuyaux à la charpente en utilisant les étaux à 3 et 4 voies comme montré dans le détail P. Vérifiez que les tuyaux soient à environ 8" du sol de chaque côté. Pousser sur les tuyaux et les étaux en même temps vers le bas et bien serrer les boulons, et bien tendre la toiture.

IMPORTANT: Installer les chapeaux (10150) pour les boulons sur les boulons exposés pour éviter toutes blessures.



VUE EXTÉRIEUR DU COIN

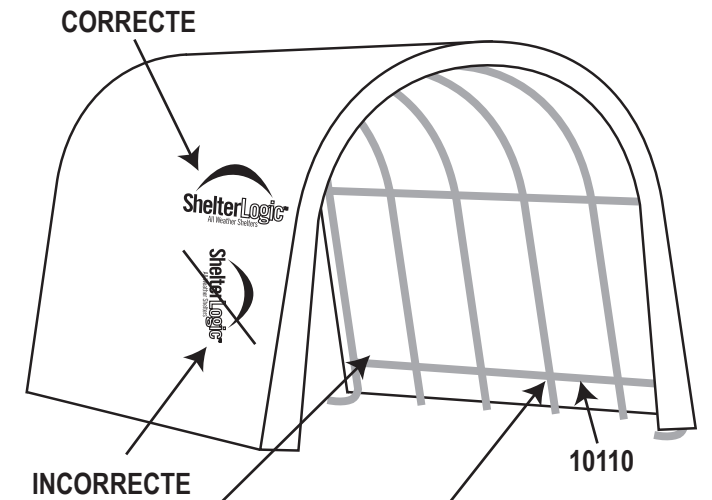


DÉTAIL O

DÉTAIL P

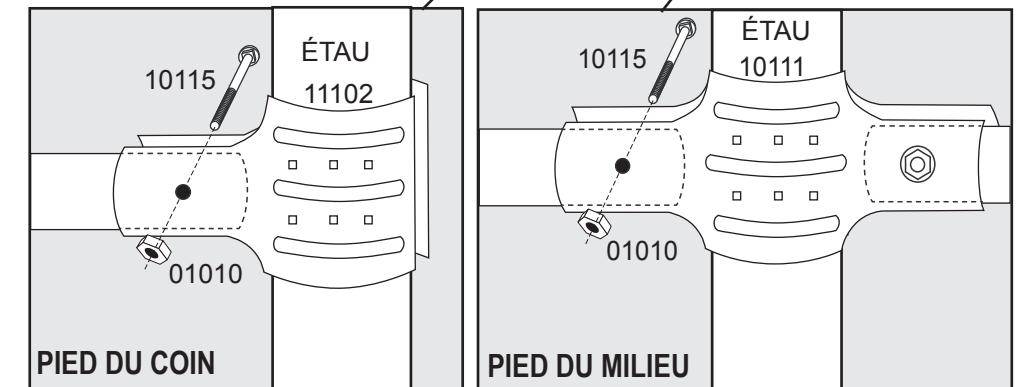
REMARQUE: VERIFIEZ QUE LA TOITURE SOIT PLACÉE CORRECTEMENT SUR LA CHARPENTE.

Le logo Shelterlogic® doit être aligné au coin avant gauche et au coin arrière droit vers le haut du muret. Si il n'est pas lisible et pas bien positionner comme montré ci-dessus comme "incorrecte", la toiture n'a pas été mis sur la charpente correctement.



Conseil pour bien tendre la Toile

Vérifiez et resserrez les cliquets mensuellement pour s'assurer que la toiture soit bien tendue.



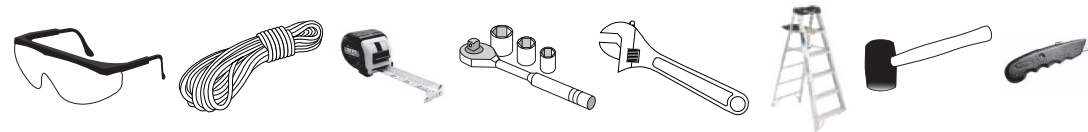
ATTENTION: Blessure grave peut arriver a toute personne et propriété si l'abris n'est pas compléer et est laisser sans supervision. L'abris doit être ancré de façon sécuriser jusqu'à ce qu'il soit complet.

INSTRUCCIONES DE ENSAMBLAJE EN ESPAÑOL



Por favor lea las instrucciones **COMPLETAMENTE** antes de ensamblar.
Este cobertizo **DEBERÁ** anclarse de forma segura.

Antes de comenzar: Se necesitan 3 o más personas para el ensamblaje. Tiempo aproximado: 3 horas.
Herramientas recomendadas: Gafas de seguridad, Lazo, Grabe la medida, Incrementese con 1.1cm (7/16po), El Enchufe, Llave inglesa ajustable, Escalera, Mazo de caucho, Cuchillo de utilidad.



ADVERTENCIA:

Antes de la instalación, consulte la normativa local y municipal relativa a la instalación de cobertizos temporales. Elija la ubicación del cobertizo cuidadosamente. Revise que no se encuentran en lo alto cables de servicios públicos, ramas de árboles, u otras estructuras. NO instale cerca de aleros u otras estructuras de las cuales pudiera desprenderse nieve, hielo o agua excesiva sobre la unidad. NO cuelgue objetos del techo ni de los cables de soporte. No fume ni utilice dispositivos que involucren llamas dentro o alrededor del cobertizo. NO almacene líquidos inflamables (gasolina, queroseno, propano, etc.) dentro del cobertizo. No exponga la parte superior o los costados del cobertizo al fuego u otras fuentes de llamas. NO utilice parrillas, braseros, freidoras de inmersión o ahumadores dentro del cobertizo. NO utilice herramientas de extremos duros o instrumentos como rastrillos o palas para retirar la nieve. Ello podría perforar la cubierta.

PRECAUCIÓN:

Tenga PRECAUCIÓN cuando ensamble esta cubierta. Esté consciente de los postes ubicados en lo alto que no hayan sido asegurados. Nuestros productos están diseñados para ofrecer protección contra el daño causado por el sol, la lluvia leve, la savia de los árboles, excrementos de las aves o los animales y nieve ligera. **No está diseñado para soportar cargas de vientos fuertes, nieve pesada o tormentas de hielo.**

GARANTÍA:

Las cubiertas del garaje instantáneo tienen una garantía limitada total de 1 año contra defectos de mano de obra. Es responsabilidad del consumidor proporcionar el anclaje adecuado, mantener la cubierta bien ajustada y libre de nieve y desechos. **SHELTERLOGIC®** no garantiza este cobertizo temporal de tejido contra vientos fuertes, nieve pesada y lluvia u otros desastres naturales y no será responsable por daños a la unidad o su contenido. Si se prevén condiciones climáticas extremas, recomendamos que se retire la cubierta. Consulte con su compañía de seguros en relación a los daños como lo haría sobre cualquier otra estructura de exteriores o reclamos de propiedad personal.

ANCLAJE ADECUADO DE LA ESTRUCTURA DEL GARAJE:

NOTA: EL ANCLAJE ADECUADO DE LA ESTRUCTURA ES RESPONSABILIDAD DEL CONSUMIDOR.

Verifique que la estructura del cobertizo y la cubierta estén adecuadamente anclados antes de instalar esta cubierta de recambio. Revise periódicamente los anclajes del cobertizo o las estacas para comprobar la estabilidad del cobertizo. El sistema de anclaje recomendado incluye el uso de barrena atornillable o anclajes de gancho EZ y cables/cuerdas fijadas a cada cerca. Los anclajes para caravanas también sirven. Cualquier estructura que no esté anclada o asegurada adecuadamente puede dañarse potencialmente con el viento, lluvia o nieve y no está amparada.



PIEZAS DE REEMPLAZO, ENSAMBLAJE. PEDIDOS ESPECIALES:

Todos los productos **SHELTERLOGIC®** tienen piezas de reemplazo y accesorios a disposición. Ofrecemos varios juegos de anclaje para casi cualquier tipo de aplicación. También paredes y juegos para cerramientos, tubos, así como cubiertas adicionales y otros accesorios. Cualquier artículo que se adquiera se envía directamente de la fábrica a su puerta y es de alta calidad.

Para más información, sírvase llamar al Dpto. de Servicio al Cliente al 1-800-524-9970 de lunes a viernes, de 8:30 a.m. a 8:00 p.m., Hora del Este; sábados y domingos de 8:30 a.m. a 5:00 p.m., Hora del Este.

CUIDADO Y LIMPIEZA:

Una cubierta bien ajustada prolongará la vida y el rendimiento. Siempre mantenga la cubierta bien ajustada. El tejido suelto puede acelerar el deterioro de la cubierta. Retire inmediatamente la nieve acumulada o el hielo de la estructura del techo con una escoba, trapeador u otro implemento suave. NO utilice "Protect and Shine", blanqueador o productos abrasivos fuertes para limpiar la cubierta de tejido. La cubierta puede limpiarse fácilmente con jabón suave y agua.

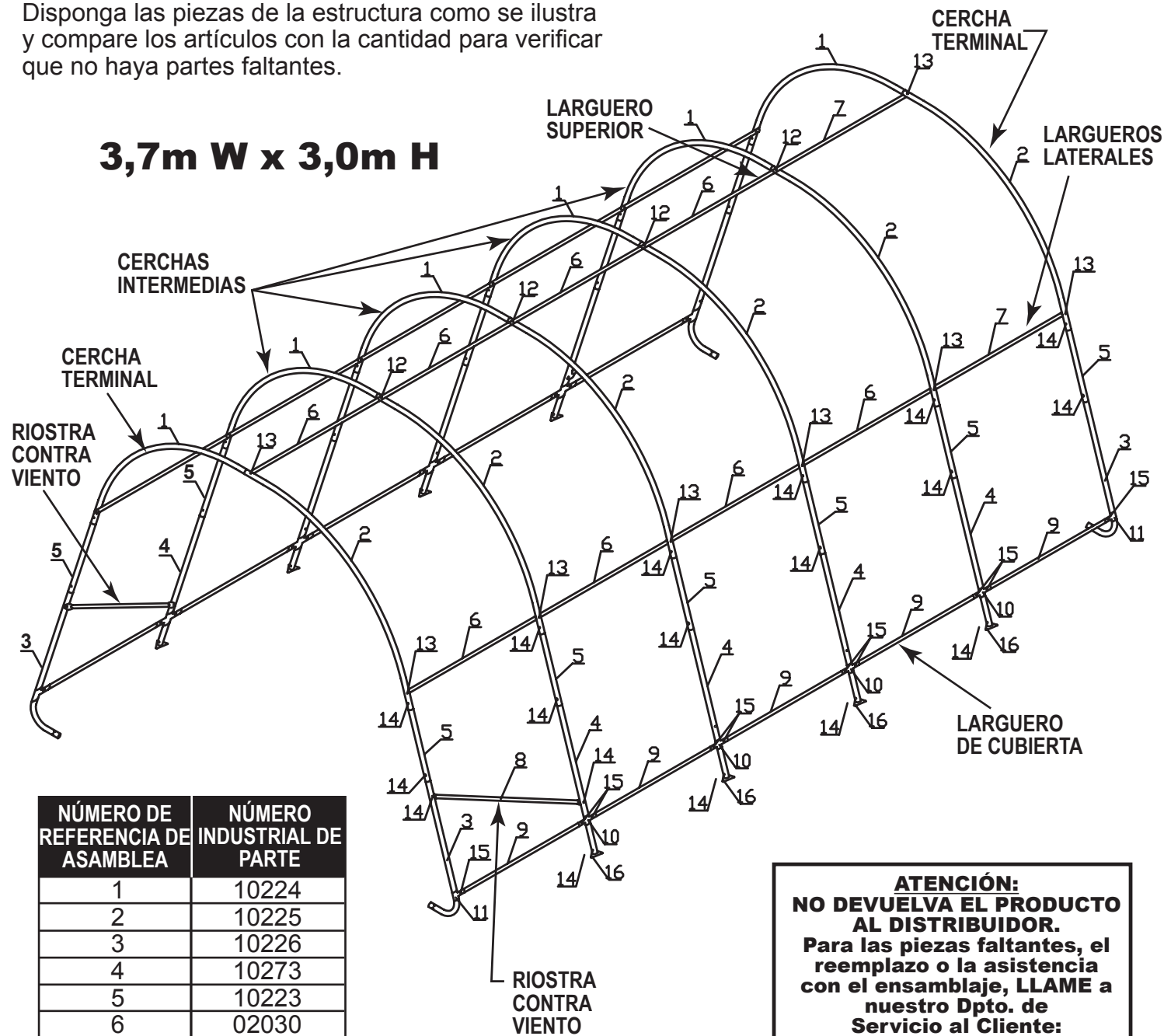
ESTA ES UNA ESTRUCTURA TEMPORAL Y NO SE RECOMIENDA COMO ESTRUCTURA PERMANENTE.

3,7m W x 3,0m H (or 2,4m H) Ensamble de estructura de parte superior RoundTop®

Por favor lea y comprenda las instrucciones completamente antes de ensamblar.

Disponga las piezas de la estructura como se ilustra y compare los artículos con la cantidad para verificar que no haya partes faltantes.

3,7m W x 3,0m H



NÚMERO DE REFERENCIA DE ASAMBLEA	NÚMERO INDUSTRIAL DE PARTE
1	10224
2	10225
3	10226
4	10273
5	10223
6	02030
7	02031
8	10205
9	10110
10	10111
11	10112
12	00669
13	10210
14	10114
15	10115
16	10270
17	800260

ATENCIÓN:
NO DEVUELVA EL PRODUCTO AL DISTRIBUIDOR.
Para las piezas faltantes, el reemplazo o la asistencia con el ensamblaje, LLAME a nuestro Dpto. de Servicio al Cliente:
1.800.524.9970
CANADA 1.800.559.6175

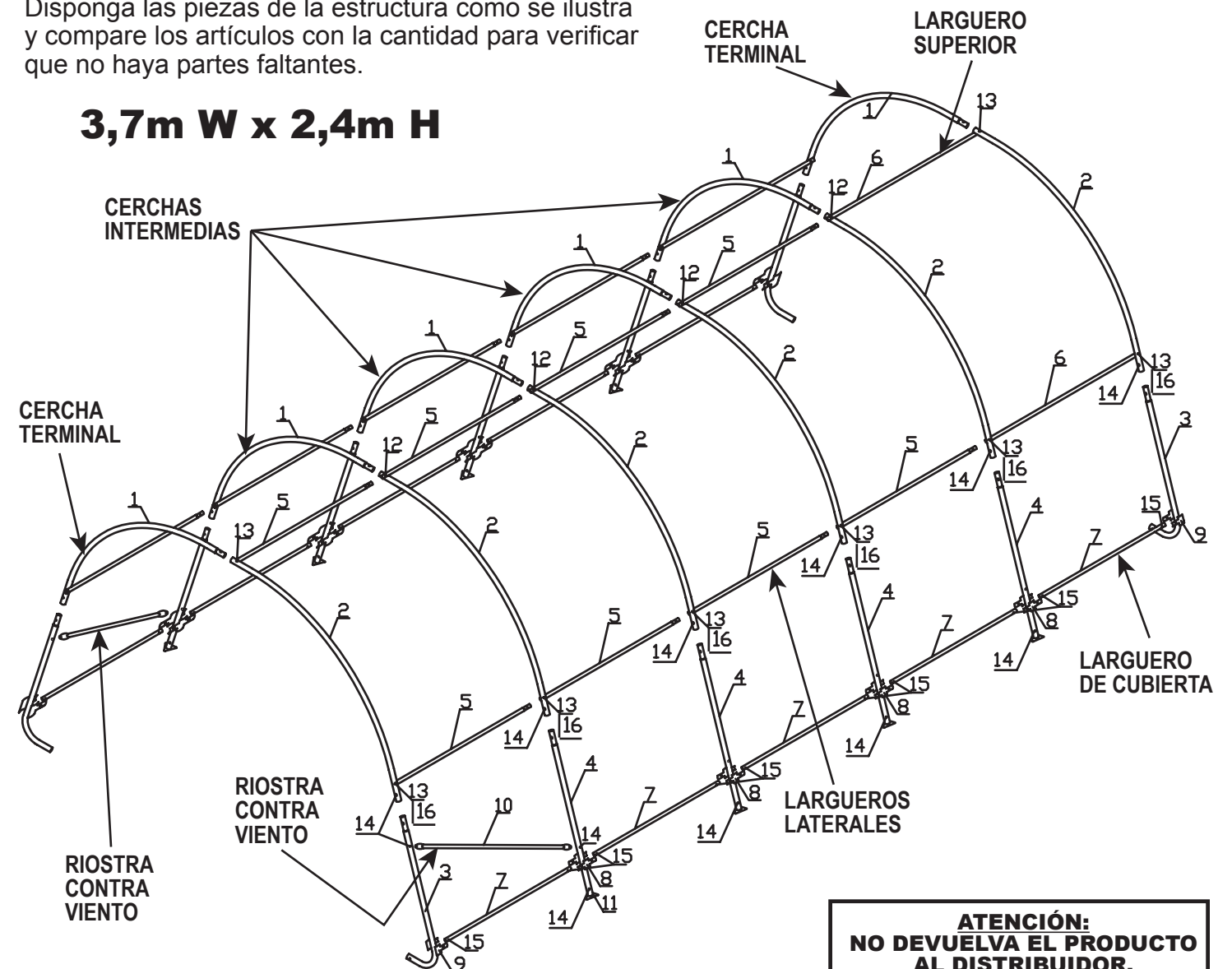

ShelterLogic®
www.shelterlogic.com
ShelterLogic, LLC
150 Callender Road
Watertown, CT 06795

3,7m W x 2,4m H (or 3,0m H) Ensamble de estructura de parte superior RoundTop®

Por favor lea y comprenda las instrucciones completamente antes de ensamblar.

Disponga las piezas de la estructura como se ilustra y compare los artículos con la cantidad para verificar que no haya partes faltantes.

3,7m W x 2,4m H



NÚMERO DE REFERENCIA DE ASAMBLEA	NÚMERO INDUSTRIAL DE PARTE	NÚMERO DE REFERENCIA DE ASAMBLEA	NÚMERO INDUSTRIAL DE PARTE
1	10224	9	10112
2	10225	10	10205
3	10226	11	10270
4	10273	12	00669
5	02030	13	10210
6	02031	14	10114
7	10110	15	10115
8	10111	16	800260

ATENCIÓN:
NO DEVUELVA EL PRODUCTO AL DISTRIBUIDOR.
Para las piezas faltantes, el reemplazo o la asistencia con el ensamblaje, LLAME a nuestro Dpto. de Servicio al Cliente:
1.800.524.9970
CANADA 1.800.559.6175


ShelterLogic®
www.shelterlogic.com
ShelterLogic, LLC
150 Callender Road
Watertown, CT 06795

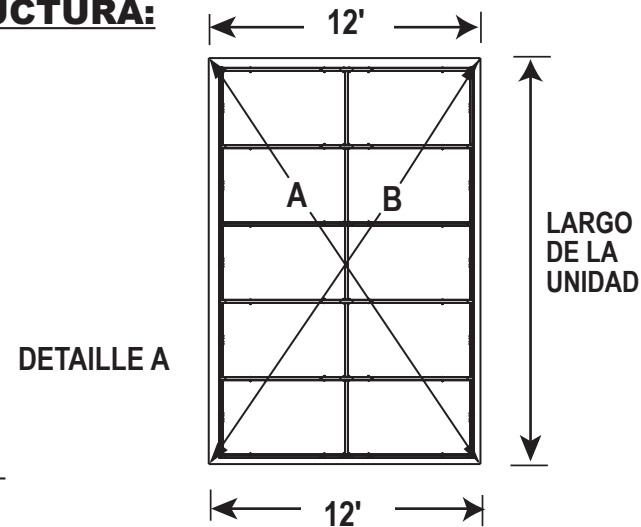
LA ASAMBLEA DEL REFUGIO DE GARAJE DE ROUNDTOP®

NOTA KIT DE EXTENSIÓN DE ESTRUCTURA: 12' x 20' x 8' (3.7m x 6.1m x 2.4m) es la medida de la base de la estructura. Su modelo puede tener más cerchas intermedias que las que se muestran en las ilustraciones. Recibirá una cercha adicional por cada 1,2 m extra de largo de construcción que adquiera. El ensamble de estructura básico permanecerá igual. La cubierta será del tamaño correcto para el largo de la unidad que se pida.

1. PLANIFICACIÓN Y AJUSTE DE LA ESTRUCTURA:

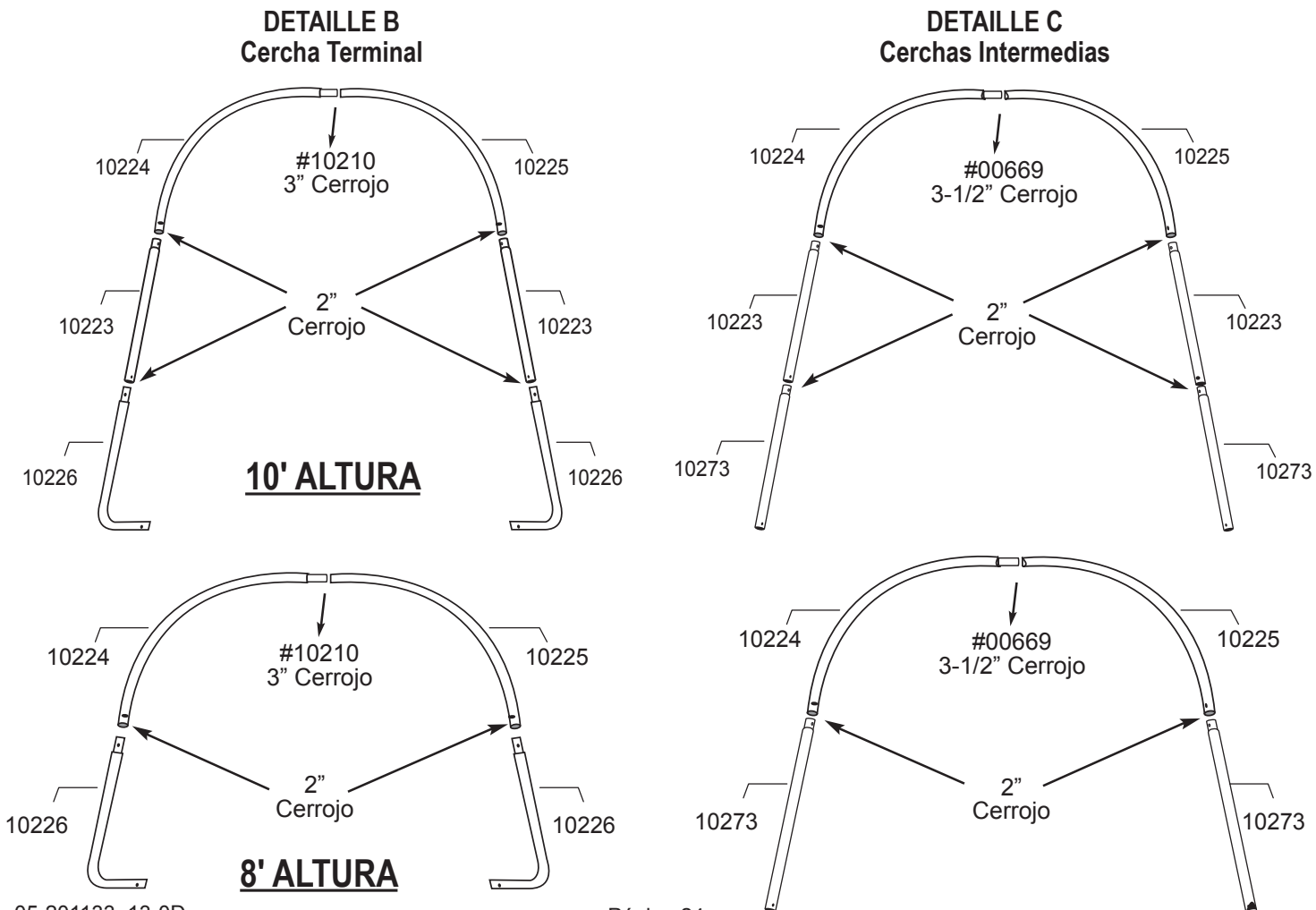
A. Antes de armar el cobertizo, debe elegir un área plana de su propiedad y planificar cómo armarlo. Coloque estacas en el área demarcando la estructura en el lugar deseado. Verifique que mida 3,7 m de ancho y que el largo esté determinado por el tamaño de cobertizo que adquirió. Ate una cuerda diagonalmente de esquina a esquina.

B. Mida el área, de un extremo opuesto al otro. Observe la figura detallada A. La medida A y la B deben ser iguales.



2. ENSAMBLE LAS CERCHAS TERMINALES Y LAS INTERMEDIAS:

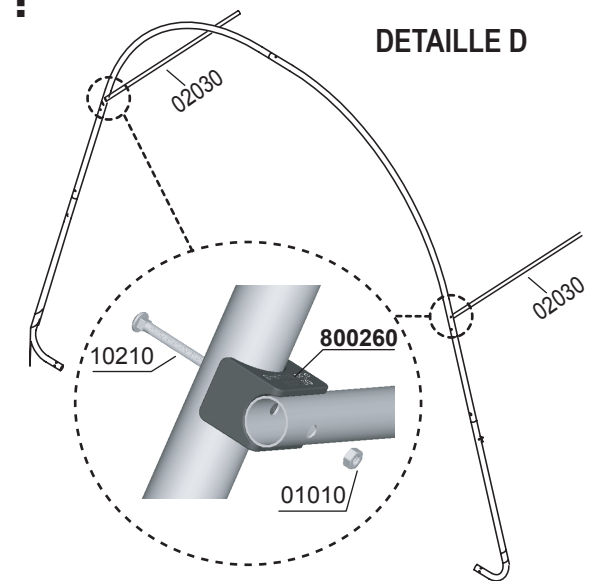
A. Ensamble las cerchas terminales y las intermedias como se ilustra en las figuras detalladas B y C. Asegure todas las uniones con los accesorios que se indican.



3. INSTALE LOS LARGUEROS LATERALES Y LOS BLOQUES ESTABILIZADORES SHELTERLOCK™:

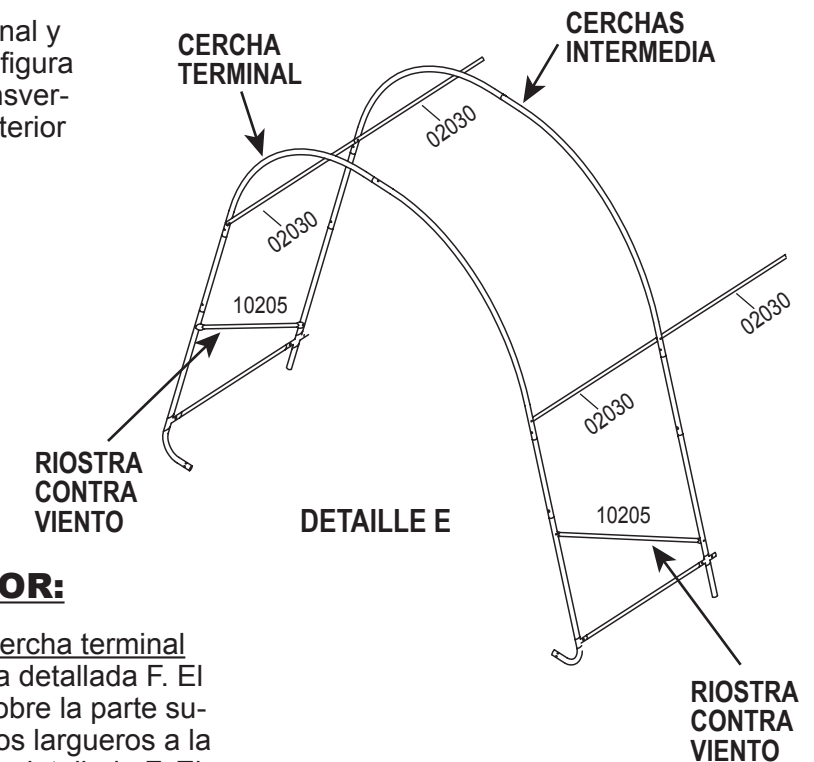
A. Coloque la cercha terminal que ensambló primero en el área con estacas. Coloque ShelterLock™ en el paral como se ilustra en la figura detallada D. Desde la parte externa de la cercha inserte el perno a través del paral y luego a través de ShelterLock™.

B. Coloque el extremo liso del larguero lateral sobre el perno y conéctelo al ShelterLock™. Coloque la tuerca en el perno y apriete. Repita estos pasos para el lado opuesto y para todas las cerchas restantes. Los largueros laterales para la última cercha tendrán dos extremos lisos.



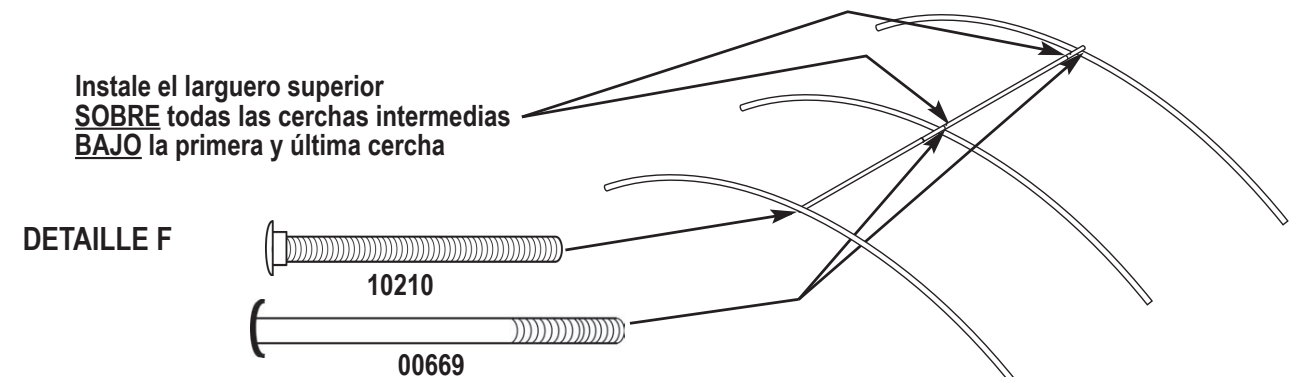
4. INSTALE LAS RIOSTRAS CONTRA VIENTO:

A. Fije la riostra contra viento entre la cercha terminal y la primera cercha intermedia como se ilustra en la figura detallada E. Los pernos fijados a los largueros transversales deben insertarse orientados hacia la parte interior del cobertizo.



5. INSTALE EL LARGUERO SUPERIOR:

A. Coloque el primer larguero superior bajo cada cercha terminal y asegure con un perno como se ilustra en la figura detallada F. El mismo larguero transversal debe estar colocado sobre la parte superior de todas las cerchas intermedias. Asegure los largueros a la estructura con los accesorios indicados en la figura detallada F. El larguero superior fijado a la última cercha se instalará bajo el tubo.



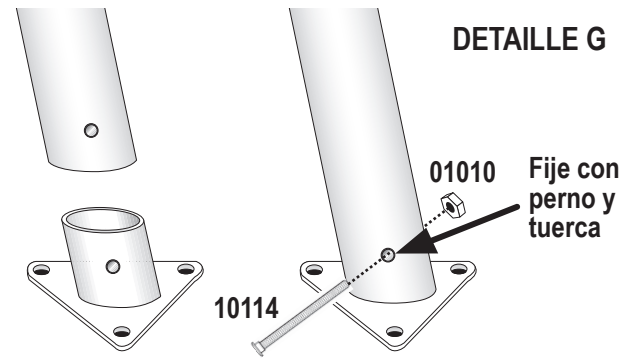
DETALLE F

Instale el larguero superior **SOBRE** todas las cerchas intermedias **BAJO** la primera y última cercha

6. ASEGURE LAS PATAS DE BASE:

A. Dependiendo del modelo que haya comprado, la pata de base encajará en la parte externa del poste o se deslizará dentro de la parte inferior del poste.

B. Después de instalar las patas de base, alinee los agujeros en la pata con los de las patas base y asegure con los accesorios indicados en la figura detallada G.



7. INSTALE LOS ANCLAJES DE BARRENA:

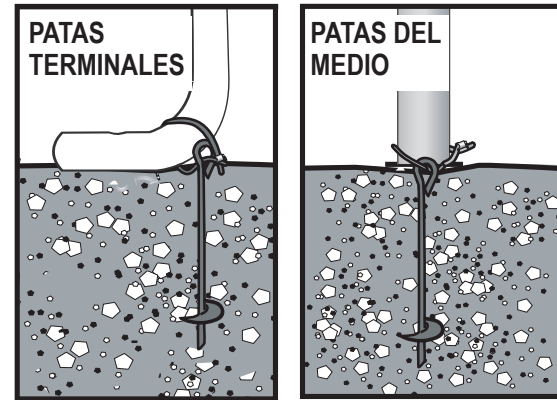
A. Los anclajes deben ubicarse dentro del cobertizo. Comience en las esquinas del cobertizo. Inserte un tubo de 1,9 cm o una varilla de acero a través de la armella de la barrena y atornille el anclaje en la tierra. (Cave un agujero con una pala o herramienta para cavar postes si la tierra está demasiado dura).

OPCIONAL: Llène con cemento.

B. Separe uniformemente los anclajes restantes a lo largo del cobertizo. Atornille el anclaje a la tierra hasta que la armella salga de la tierra 2,5-5,1 cm de modo que puede anclarse a las patas.

C. Enrolle el cable que se suministra a través de la armella del anclaje y alrededor de la estructura como se indica en la figura detallada H. Asegure el cable con las abrazaderas que se suministran.

D. Repita para piernas medianas conectando cable alrededor de platos de pie.



8. INSTALACIÓN DE LA PUERTA DE CREMALLERA O DEL PANEL TERMINAL:

A. Sostenga el panel terminal en la parte superior al centro con la superficie interior blanca orientada hacia la parte interna del cobertizo (si tiene un cobertizo blanco la superficie interior tiene visibles las uniones soldadas).

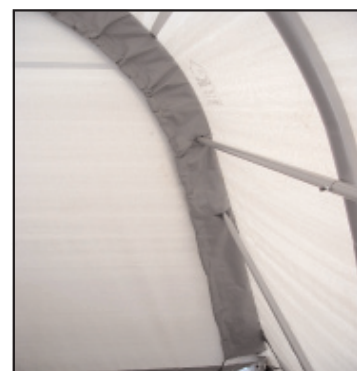
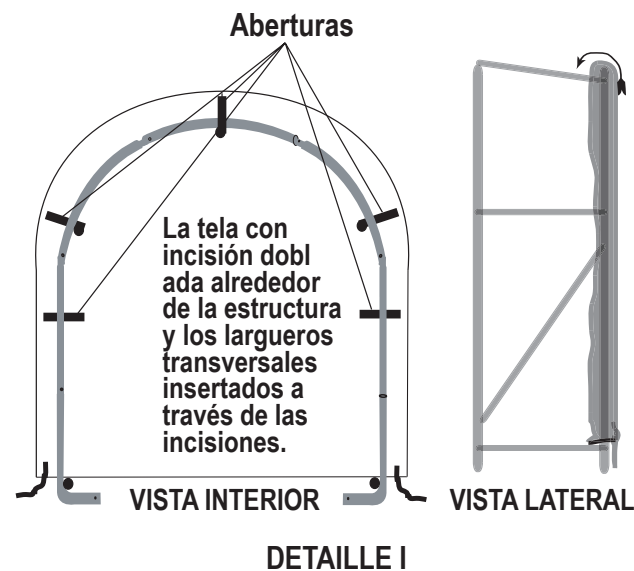
B. Desatornille el larguero superior del codo superior y coloque el tejido en el medio. El larguero superior debe pasar a través de la anilla del tejido. Reconecte el larguero superior en la cercha y asegúrelo con los tornillos indicados. Refiérase a la figura detallada I.

C. Retire la tuerca del larguero lateral y cuidadosamente hale el larguero lateral separándolo del ShelterLock™ (hale únicamente lo suficiente para pasar el tejido a través de la conexión). **Si esta conexión tiene colocada la riostra contra viento, retire el extremo de la riostra contra viento antes de halar el larguero lateral.** Vuelva a colocar el larguero transversal y la riostra contra viento. Refiérase a la figura detallada J. Vuelva a colocar la tuerca y apriete. Repita para el otro lado.

D. En la parte inferior, donde el tejido sale del compartimiento en cada lado del panel terminal, hale el tejido para tensar. Tenga cuidado de no halar el tejido a través del otro lado del panel.

E. Instale el gancho en "S" del trinquete en la pata del cobertizo. Inserte el tejido en el huso del trinquete y hale hasta que apriete. Refiérase a la figura detallada J. Déle vuelta al trinquete de modo que el tejido se solape sobre sí mismo. Repita este proceso en el otro lado del panel. Ubique el panel terminal de modo que esté centrado en la unidad.

F. Apriete los trinquetes, alternando de un lado al otro hasta que el panel terminal quede ajustado. Repita estos pasos en el otro extremo de la unidad.



9. INSTALACIÓN DE LA CUBIERTA EN LA ESTRUCTURA:

A. Coloque la cubierta en la tierra al lado de la estructura con la parte interior de la cubierta (el lado con los compartimientos para el tubo) orientada hacia abajo y el lado del tejido del frente y posterior de la esquina de la unidad. Coloque la cubierta de modo que esté centrada en la estructura, desde el frente hacia atrás. Refiérase a la figura detallada K.

B. Doble el costado de modo que el compartimiento del tubo quede ahora accesible. Inserte un tubo de cubierta en la ranura del compartimiento del tubo en la primera cercha intermedia desde la parte posterior. Parte del tubo queda expuesto. Para unidades largas puede ser necesario utilizar tubos adicionales en el medio. Refiérase a la figura detallada L. Retire el tubo del compartimiento para instalarlo más tarde.

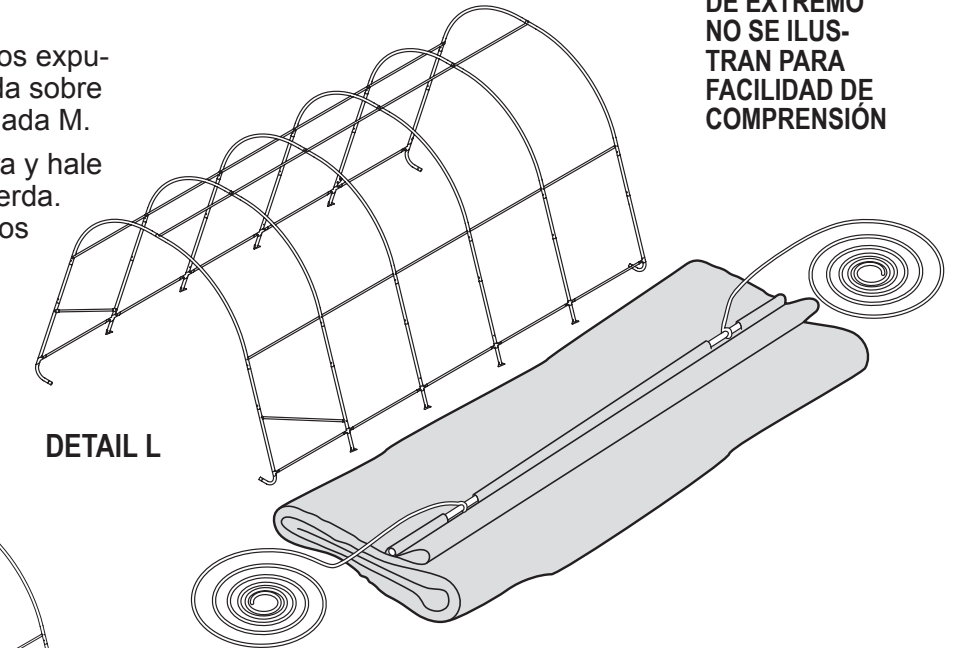
C. Ate la cuerda en cada uno de los tubos expuestos y pase el otro extremo de la cuerda sobre la estructura. Refiérase a la figura detallada M.

D. Cámbiese al otro lado de la estructura y hale la cubierta sobre la estructura con la cuerda. Este procedimiento puede requerir de dos o más personas. Refiérase a la figura detallada N. Verifique que el Logo quede según se ilustra.

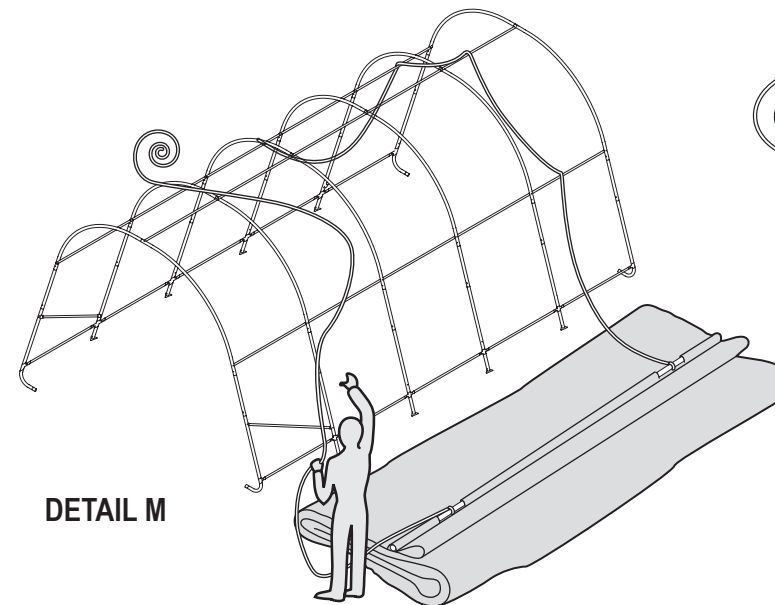


DETAIL K

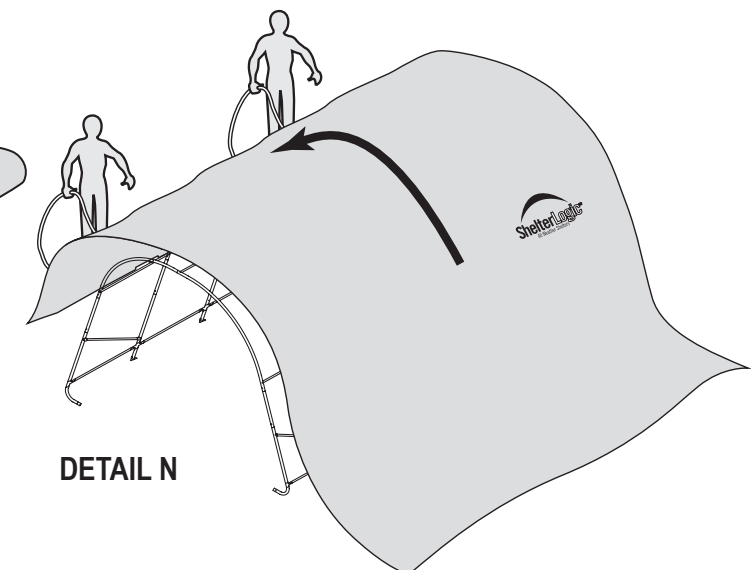
LOS PANELES DE EXTREMO NO SE ILUSTRAN PARA FACILIDAD DE COMPRESIÓN



DETAIL L



DETAIL M



DETAIL N