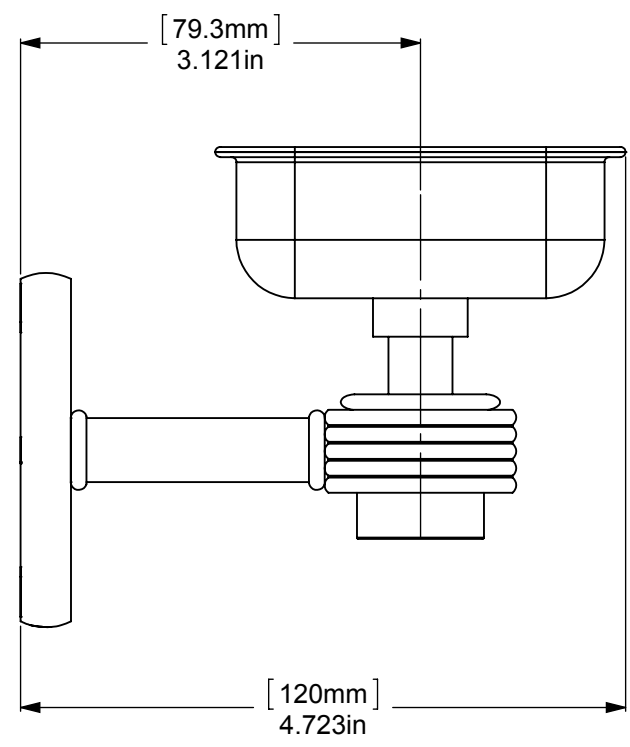
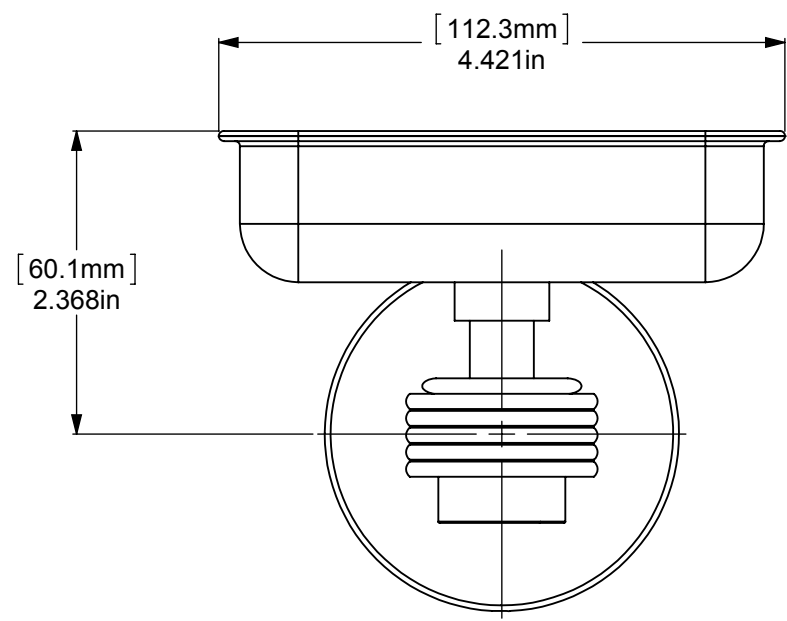
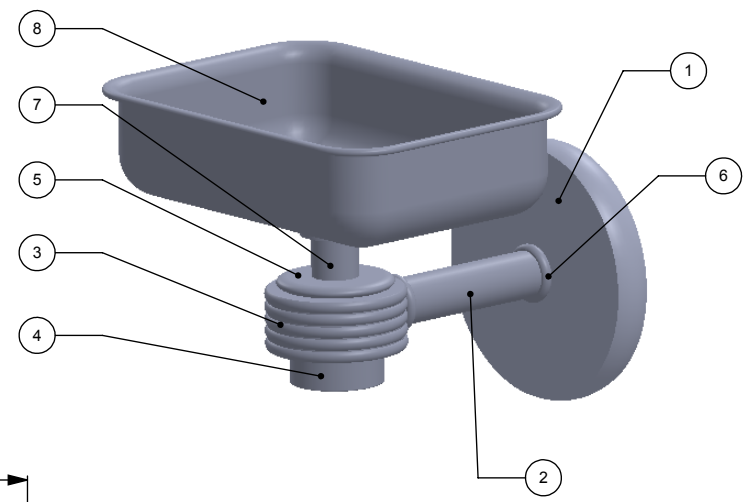


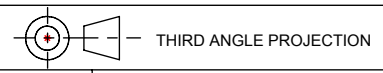
1	BPRD	BASE	1
2	TU12-2	TUBE	1
3	RGGVT	CONNECTOR	1
4	Card-1	END LOCK	1
5	CRRD-1	RING-1"	1
6	CRRD-12	RING-SMALL	2
7	TU12-.75	TUBE-.75	1
8	HRRTS	PLATE	1




UNLESS OTHERWISE STATED

SolidWorks Student Edition.	$\pm .15\text{mm}$
For Academic Use Only.	$\pm .008\text{mm}$
.XX	
.XXX	

COPYRIGHT © Allied Brass 2017



DRAWN	7/9/2017	I.M	MATERIAL:	BRASS	FINISH	TBD
CHECKED	7/9/2017	P.D	DESCRIPTION:		QUANTITY	TBD
APPROVED	7/9/2017	R.A	Soap Dish with Glass Liner		DRAWING No.	REV
					7132G	0
				SCALE	1:1.5	SHEET: 01 A4