

**Features**

- Brass construction
- Available with lever handle
- Front seal plate assembly
- Complements Forte® Suite
- Intended for use with Kohler valves

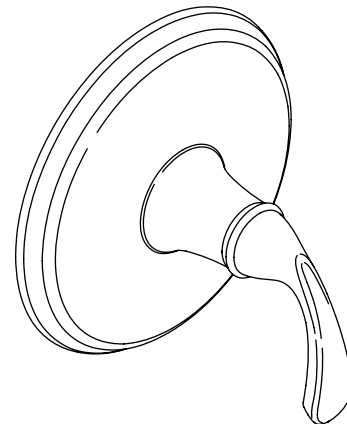
VALVE TRIM  
**K-T10359**  
ALSO K-T10360

ADA

**Codes/Standards Applicable**

Specified model meets or exceeds the following:

- ASME A112.18.1/CSA B125.1
- IAPMO/cUPC
- ADA



**Colors/Finishes**

- CP: Polished Chrome
- Other: Refer to Price Book for additional colors/finishes
- NA: None applicable

**Specified Model**

| Model      | Description               | Colors/Finishes             |                                     |
|------------|---------------------------|-----------------------------|-------------------------------------|
| K-T10359-4 | Thermostatic valve trim   | <input type="checkbox"/> CP | <input type="checkbox"/> Other ____ |
| K-T10360-4 | Volume control valve trim | <input type="checkbox"/> CP | <input type="checkbox"/> Other ____ |

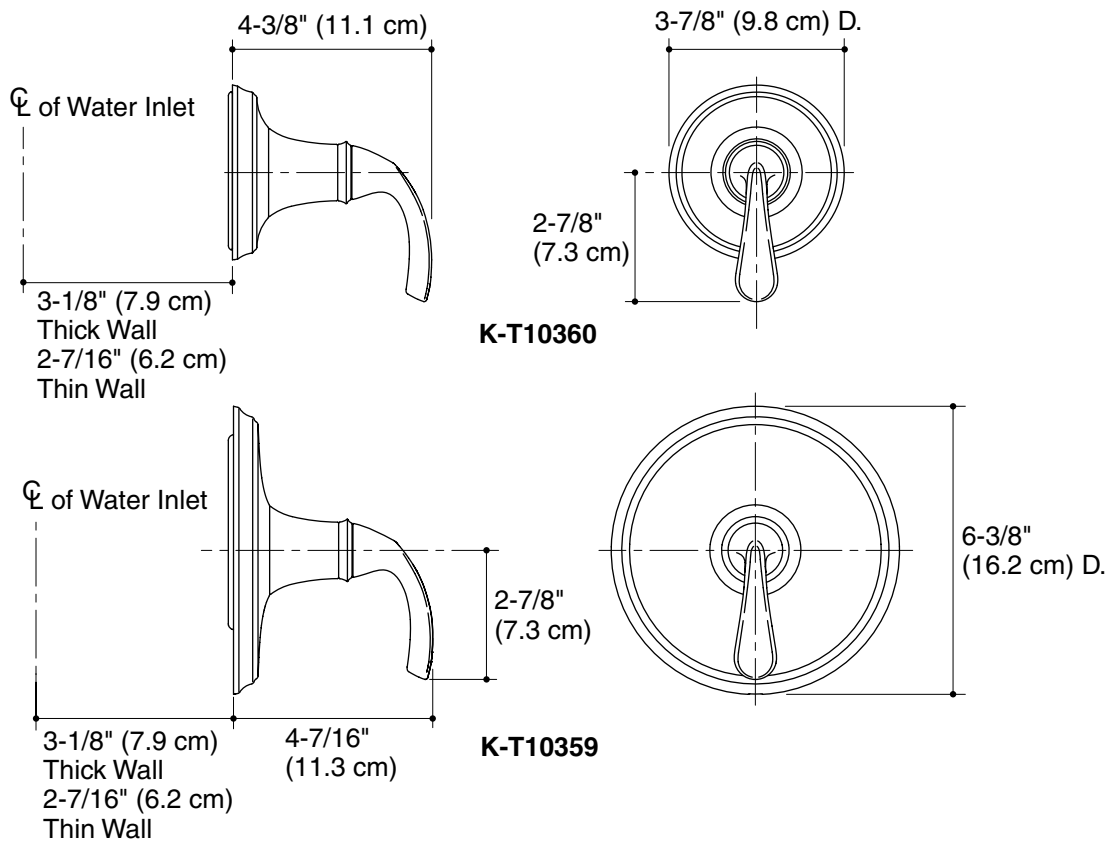
| Required Valve |                           |                             |
|----------------|---------------------------|-----------------------------|
| K-669-KS       | 3/4" thermostatic valve   | <input type="checkbox"/> NA |
| K-671-K        | 3/4" volume control valve | <input type="checkbox"/> NA |
| K-679-KS       | 1/2" thermostatic valve   | <input type="checkbox"/> NA |
| K-681-K        | 1/2" volume control valve | <input type="checkbox"/> NA |

**Product Specification**

Thermostatic faucet trim shall be of brass construction. Trim shall include front seal plate assembly. Product shall be available with lever handle. Trim shall complement the Forte Suite. Faucet trim shall be Kohler Model K-T\_\_\_\_-4-\_\_\_\_ and required valving shall be K-\_\_\_\_-\_\_\_\_-NA.

## Installation Notes

Install this product according to the installation guide.



### Product Diagram