

SAUBERZEN

Vanity Top Basin

Installation Instructions

PRODUCT DESCRIPTION

MODEL: 3098-005 3TH

- **Exterior Dimensions:** 18.75" W x 23.625" L x 7" H
- **Material:** Vitreous China
- **Finish:** Polished White Ceramic
- For Drop-In Installation



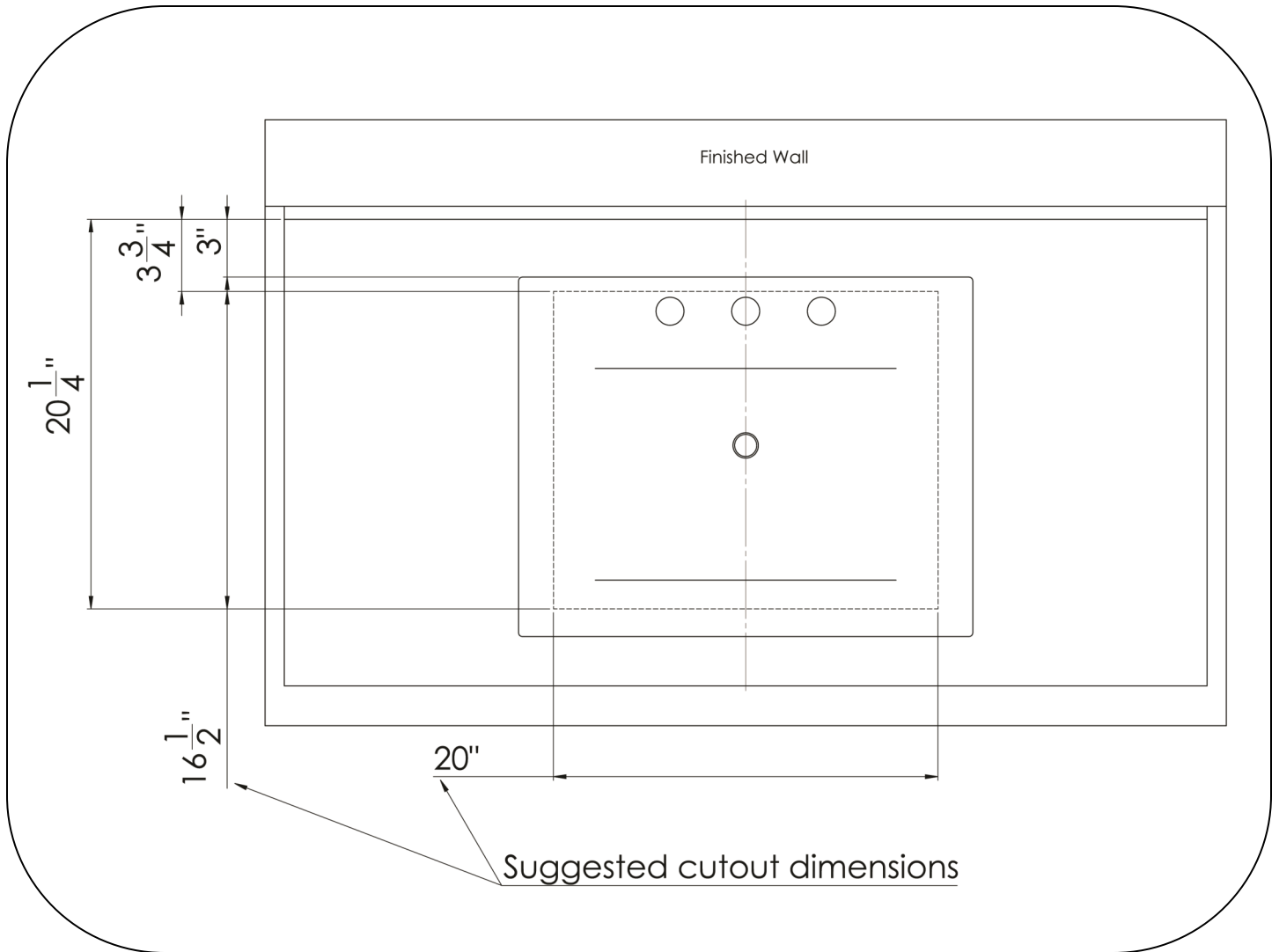
REQUIRED TOOLS

- Adjustable Wrench
- Groove Joint Pliers
- Pipe Tape
- Silicone Sealant

PRIOR TO INSTALLATION

1. Open the carton and ensure that your sink has arrived in good condition.
2. Store the product in its original box until ready for installation.
3. This product is intended for above-counter installation. Ensure that the countertop the sink will be installed on is flat.
4. Shut off the water supply before installation.
5. Observe all plumbing and building codes in your area.
6. Consult a professional plumber to ensure proper installation.

ROUGH-IN DIMENSIONS



CARE AND MAINTENANCE

A few steps can be implemented to ensure the longevity of your sink:

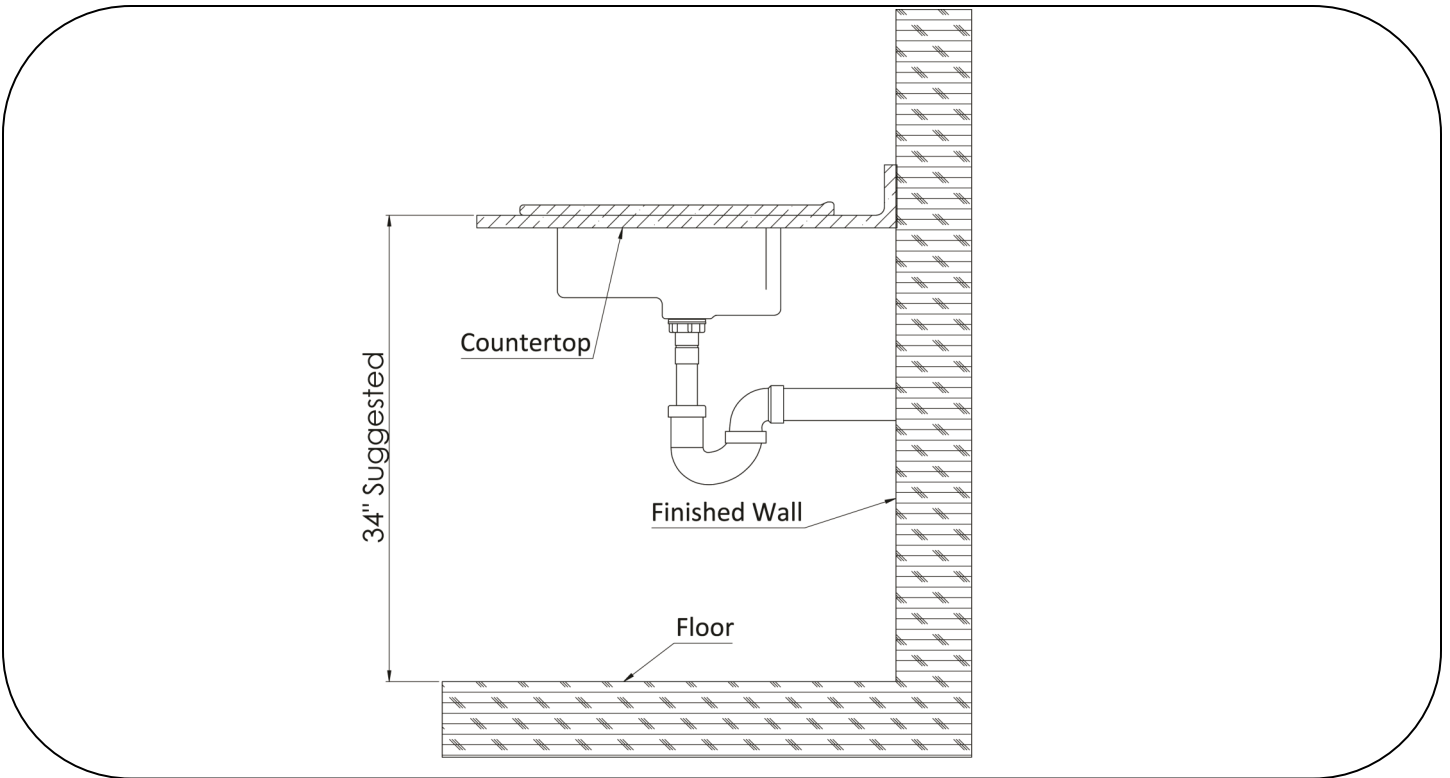
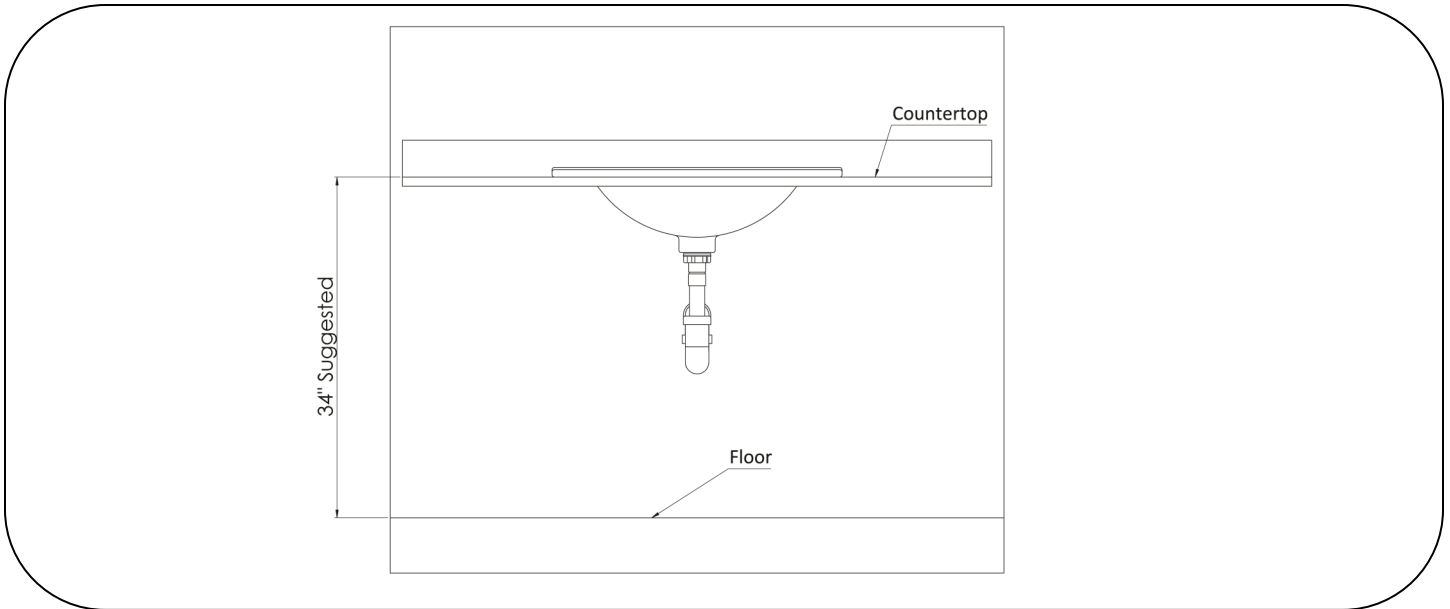
On a routine basis, wipe your sink using warm water, a mild detergent, and a sponge or chamois to remove any residue or water spots that may have accumulated on the sink surface. Do not apply force while cleaning to avoid scratching the surface.

DO NOT use metal scouring pads to clean your sink, as this may cause chips, scratches, and discoloration of the sink surface.

Avoid dropping hard metal or other heavy objects into the sink to avoid cracking and chipping of the sink surface.

INSTALLATION INSTRUCTIONS

- 1 Prepare counter top by drilling a 1-3/4" diameter drain hole at the desired location.



- 2 Place the vessel sink on the mounting ring or counter top as shown.

PLEASE NOTE : FAUCET HARDWARE, FAUCET, AND WATER SUPPLY ARE NOT INCLUDED

SAUBERZEN LIMITED WARRANTY

Ventamatic, Ltd. extends this warranty to the original retail purchaser of this product.

This product is warranted against defects in materials and workmanship for a period of one (1) year from the date of original retail purchase. No other parts or components are warranted. There is no warranty for defects caused by abuse. Repairs or replacement parts supplied under this warranty are warranted only for the period of this warranty; that is, one (1) year from the date of the original retail purchase of the unit. In the event of a defect or malfunction, we will replace or repair the defective part or component only and return the new or repaired part to you freight prepaid. You must bear all other expenses incurred in obtaining repairs, including labor required for field repair or replacement, and the cost of shipping the defective part to us. You must also bear the cost of repair to or replacement of any part or component and the shipping charges incurred for the repair or replacement and return to you of any part or component not covered by this warranty, including parts or components damaged by you.

The company reserves the right to demand and receive written evidence of the date of purchase before undertaking to perform its obligations under this warranty. You should, therefore, retain your sales slip and attach a copy of it to the warranty claim.

In order to obtain the repair or replacement of this unit, you must select one of the following methods:

A. Return to factory.

Return postage prepaid only the part or component which you believe to be defective to the following address:

**Ventamatic, Ltd
100 Washington Street
Mineral Wells, TX 76067**

Complete and enclose a written claim and attach a copy of your sales slip or other proof of purchase.

B. Return to retail dealer.

There is no informal dispute settling mechanism available in the event of a controversy involving this warranty.

Any and all implied warranties which may exist terminate upon the expiration of this warranty one (1) year from the date of the original retail purchase. Some states do not allow limitations on how long an implied warranty lasts, so this limitation may not apply to you.

Ventamatic, Ltd. is not liable to you for incidental or consequential damages arising out of a defect or malfunction of a unit or its installation or out of any alleged breach of this warranty. Some states do not allow the exclusion or limitation of incidental or consequential damages, so this limitation may not apply to you.

This warranty gives you specific legal rights and you may also have other rights which may vary from state to state.