



SEATCRAFT  
**SOLSTICE**

Home Theater Seating

---

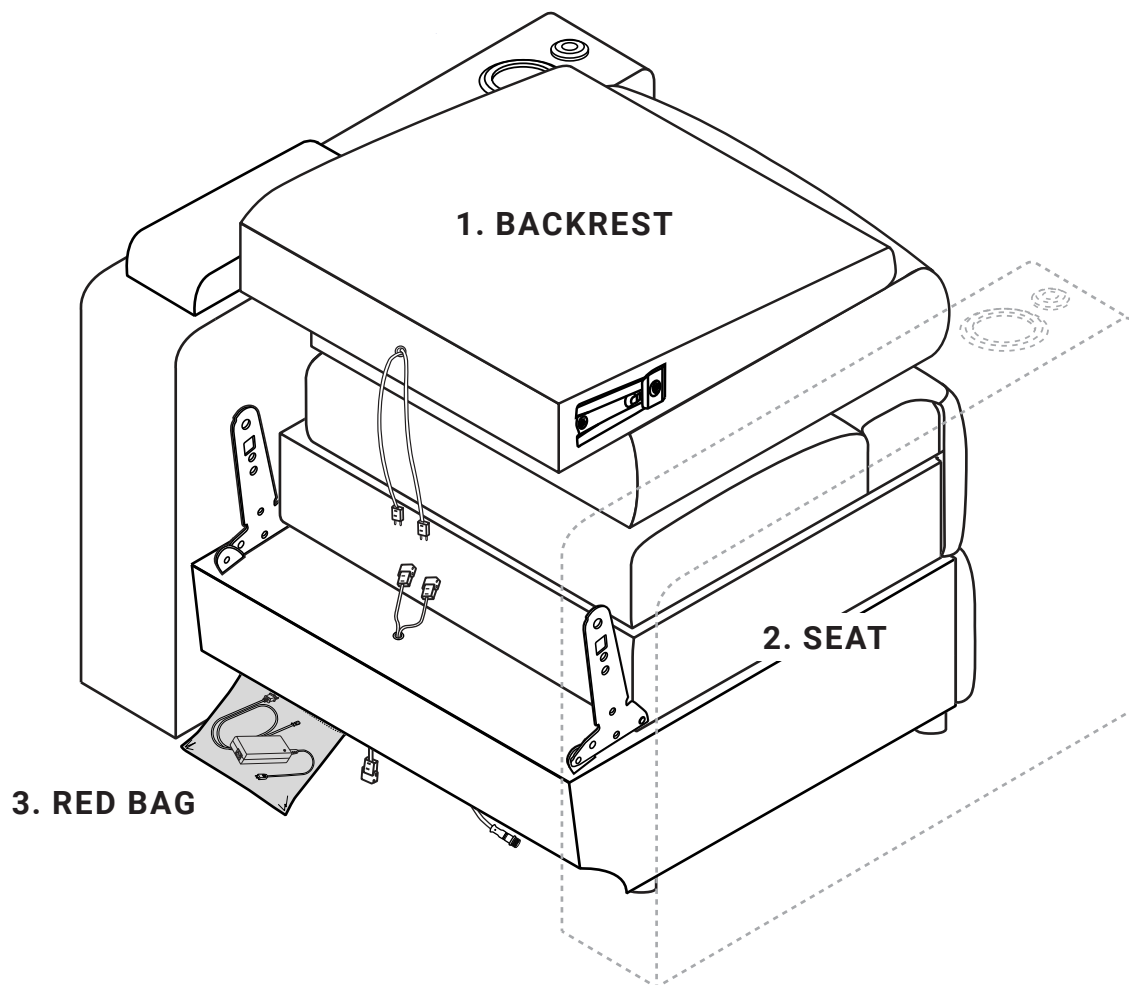
**ASSEMBLY & GENERAL USE GUIDE**

# Table of Contents

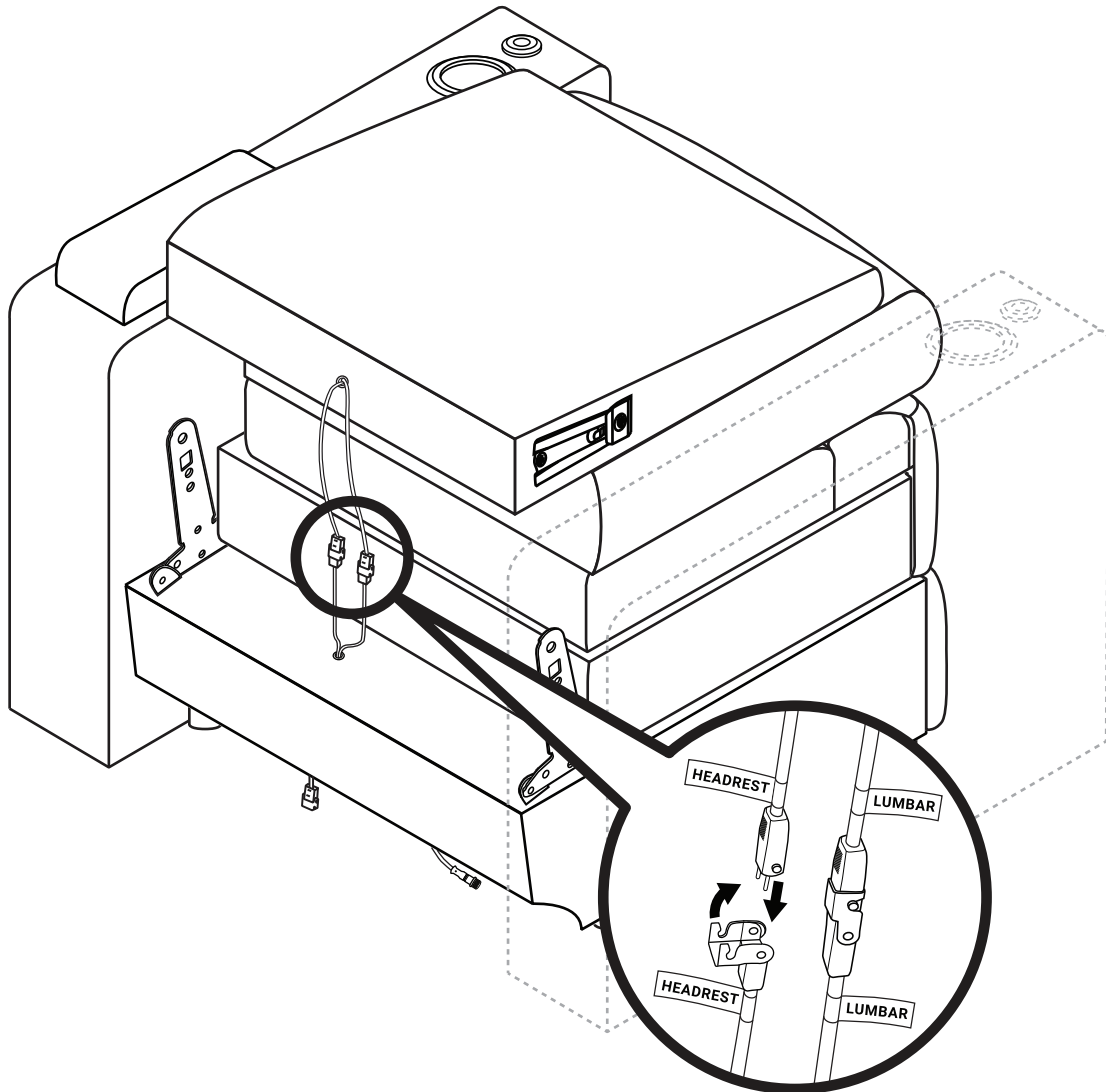
What's Inside the Box	2
Step 1: Connect the Power Headrest and Lumbar Cables	3
Step 2: Attach the Backrest to the Seat Base	4
Step 3: Connect the Power Cable	5
Step 4: Attach the Tray Table	6
Using the Power Control Panel	7
Troubleshooting Guide	8-10
Seat Part List	11
Warranty Info & Contact Information	12

# What's Inside the Box

- 1. BACKREST**
- 2. SEAT**
- 3. RED BAG** (Includes: Power Adapter & Power Adapter Cable)



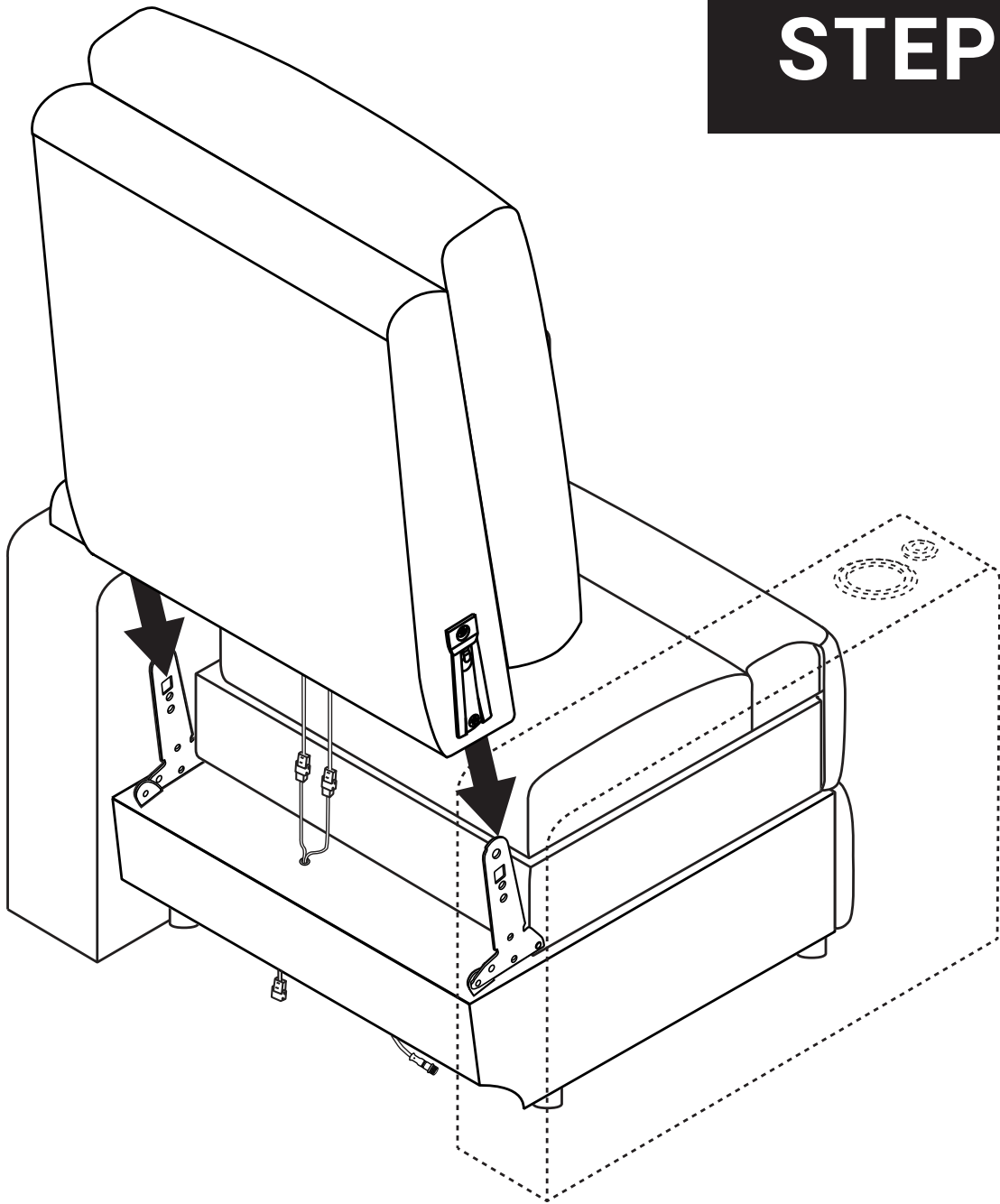
# STEP 1



## Connect the Power Headrest and Lumbar Cables

Connect the Powered Headrest Female Cable to the Powered Headrest Male Cable.  
Connect the Powered Lumbar Female Cable to the Powered Lumbar Male Cable.  
Lock both cables together.

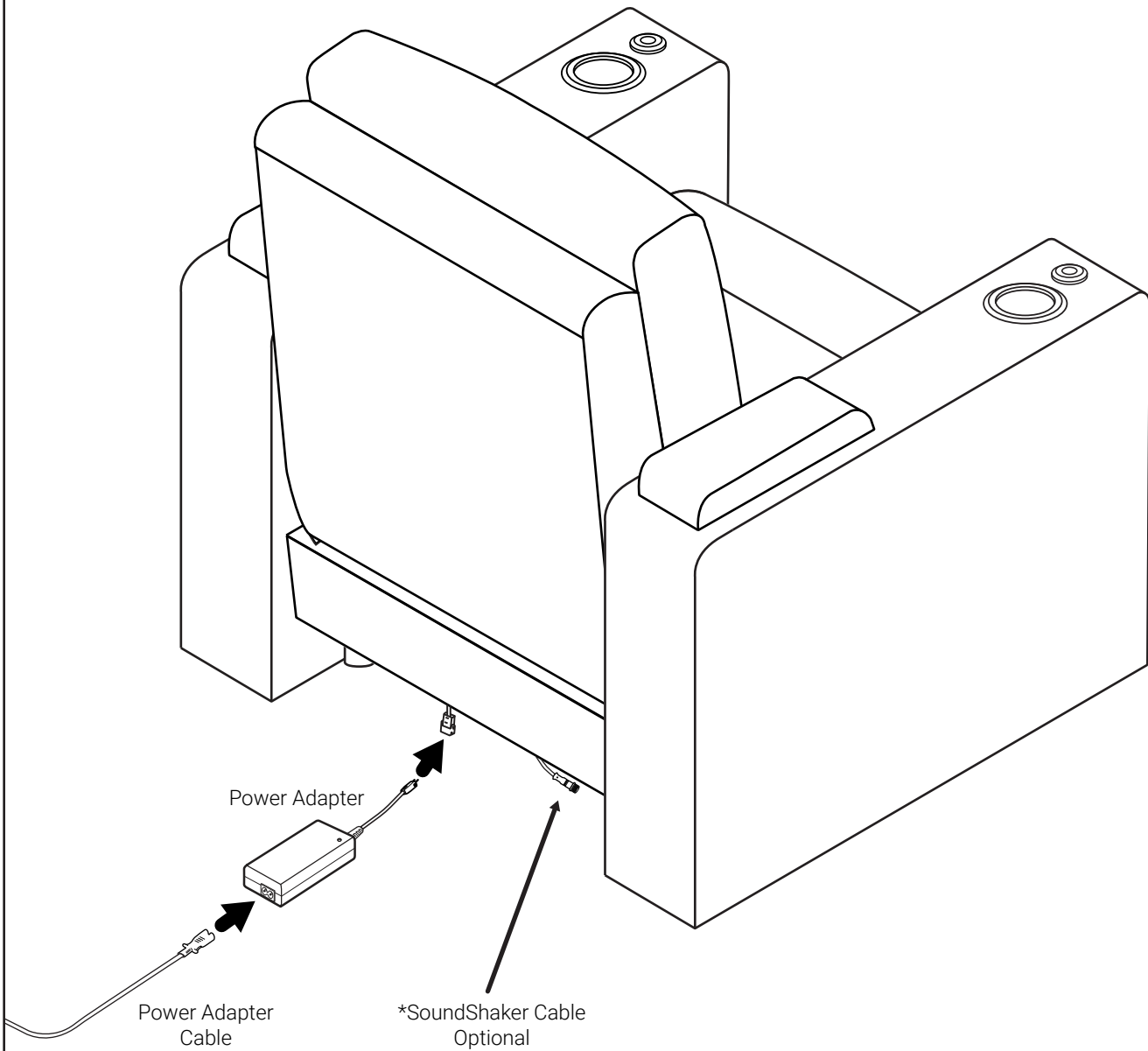
# STEP 2



## Attach the Backrest to the Seat Base

Slide the Backrest Female Brackets onto the Backrest Male Brackets.  
Push until you hear a click on both sides. This will indicate that the backrest is secured.

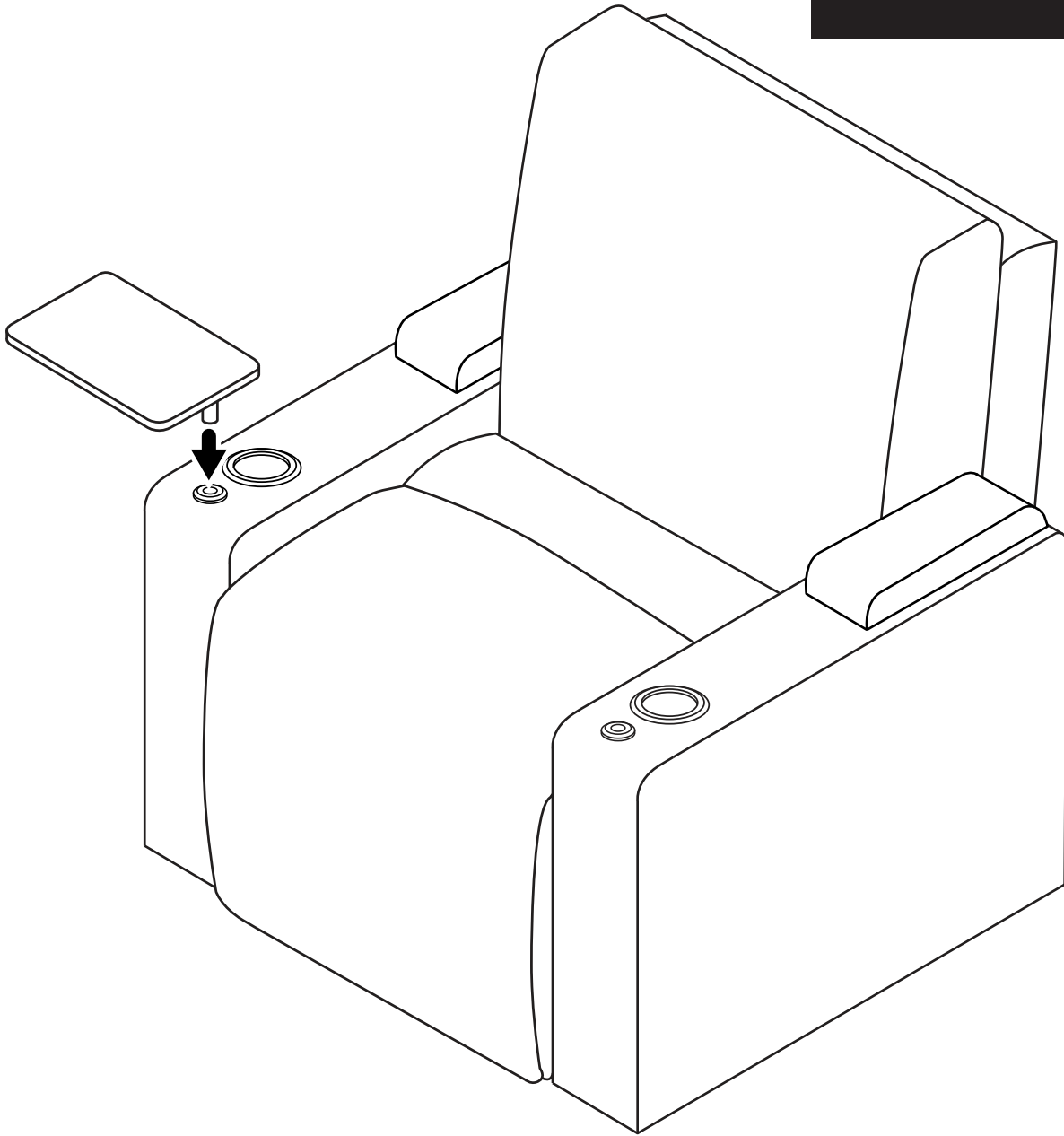
# STEP 3



## Connect the Power Cable

Plug the Power Adapter Cable into the Power Adapter. Connect the Power Adapter to the Power Recline Cable. Lock the two cables together.

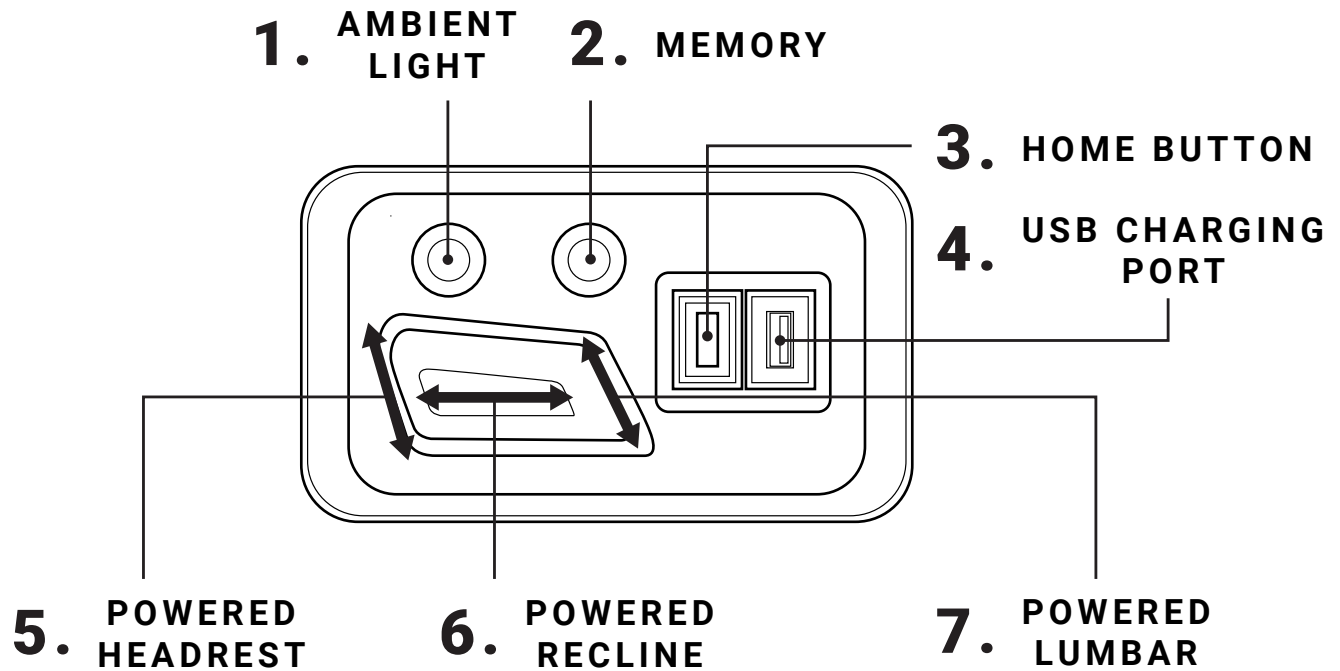
# STEP 4



## Attach the Tray Table

Open the in-arm storage to find your Tray Table. Place the Tray Table into the accessory mount.

# Using the Power Control Panel



## 1. AMBIENT LIGHT CONTROL

Push to turn the ambient base lighting and the lighted cupholders on or off.

## 2. MEMORY

Hold for more than 5 seconds to save your favorite sitting position. Push to recline the seat to the saved sitting position.

## 3. HOME BUTTON

Hold to return the seat, headrest, and lumbar to its upright position.

## 4. USB CHARGING PORT

Plug in any USB-powered device to charge it.

## 5. POWERED HEADREST

Tilt UP/DOWN to adjust the powered headrest to your desired position.

## 6. POWERED RECLINE

Slide FORWARD/BACKWARD to set the powered recline to your preferred position.

## 7. POWERED LUMBAR

Tilt UP/DOWN to fine-tune the powered lumbar support to your liking.

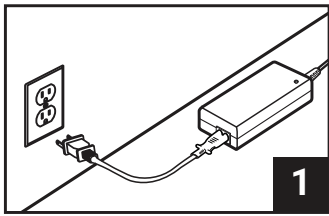


# Troubleshooting Guide

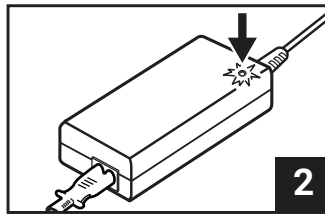
## Q. Why isn't my chair reclining?

---

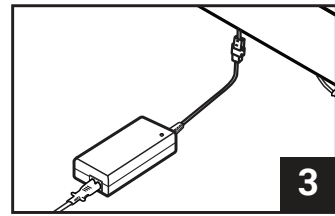
### A. The Power Adapter has become loose or disconnected.



Unplug and re-plug in the Power Adapter to a wall outlet.



The green light on the Power Adapter should be illuminated.

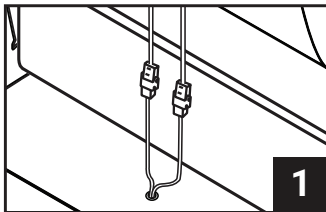


Unplug and re-plug in the Power Adapter to the Powered Recline Cable.

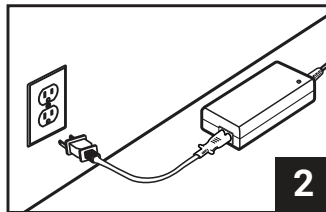
## Q. Why isn't my chair's power headrest functioning?

---

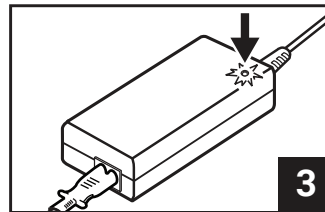
### A. The Powered Headrest Cables have become loose or disconnected.



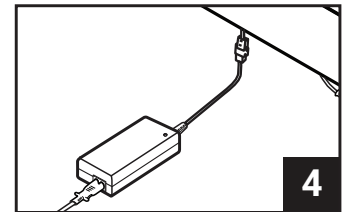
Unplug and re-plug the Powered Headrest Cables to each other.



Unplug and re-plug in the Power Adapter to a wall outlet.



The green light on the Power Adapter should be illuminated.



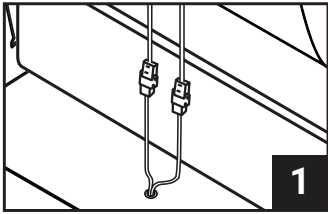
Unplug and re-plug in the Power Adapter to the Powered Recline Cable.

# Troubleshooting Guide

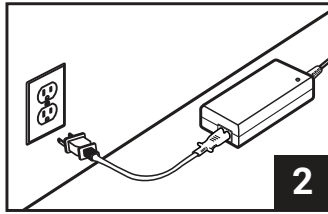
**Q.** Why isn't my chair's power lumbar functioning?

---

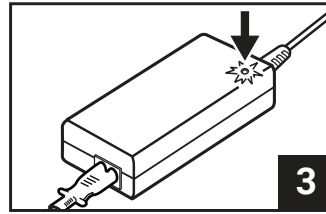
**A.** The Powered Lumbar Cables have become loose or disconnected.



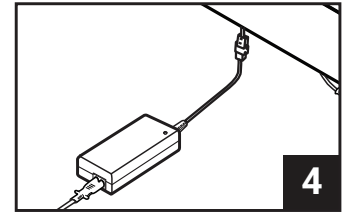
Unplug and re-plug the Powered Lumbar Cables to each other.



Unplug and re-plug in the Power Adapter to a wall outlet.



The green light on the Power Adapter should be illuminated.

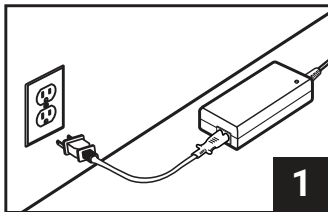


Unplug and re-plug in the Power Adapter to the Powered Recline Cable.

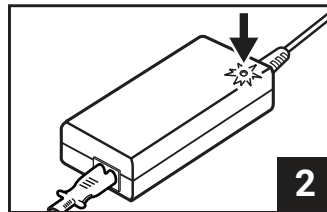
**Q.** How come the lights on my cupholder or seat base are not lighting up?

---

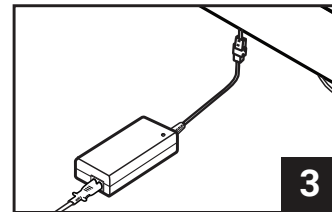
**A.** The Power Adapter has become loose or disconnected.



Unplug and re-plug in the Power Adapter to a wall outlet.



The green light on the Power Adapter should be illuminated.



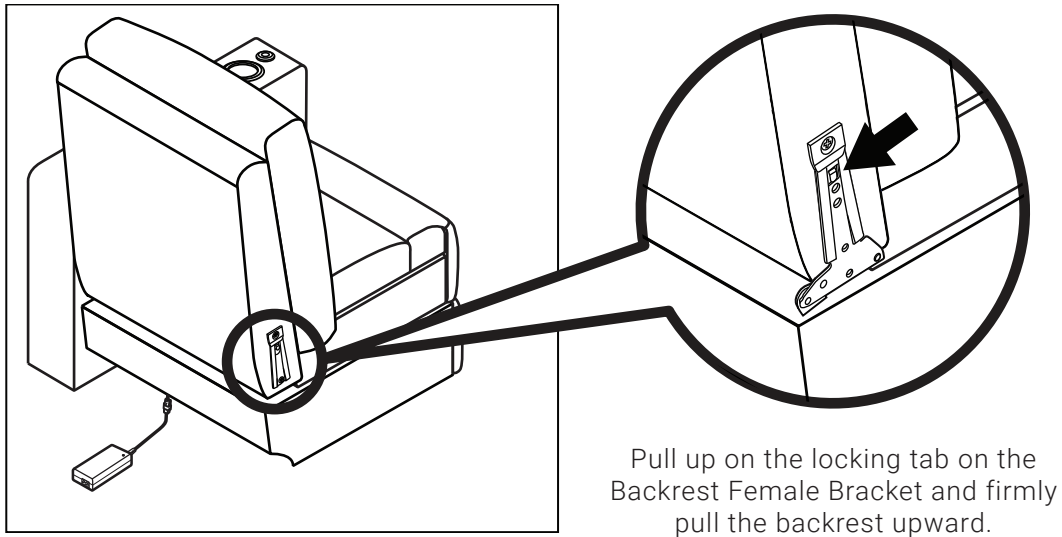
Unplug and re-plug in the Power Adapter to the Powered Recline Cable.

# Troubleshooting Guide

**Q.** How do I remove the backrest from the seat base?

---

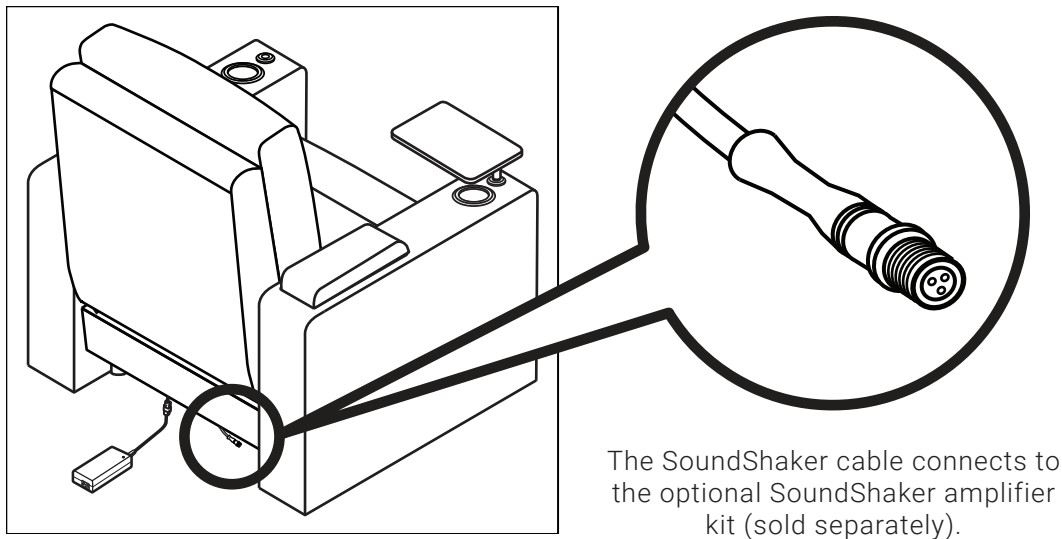
**A.** The Backrest Female Bracket has a locking tab.



**Q.** Where do I connect the SoundShaker cable?

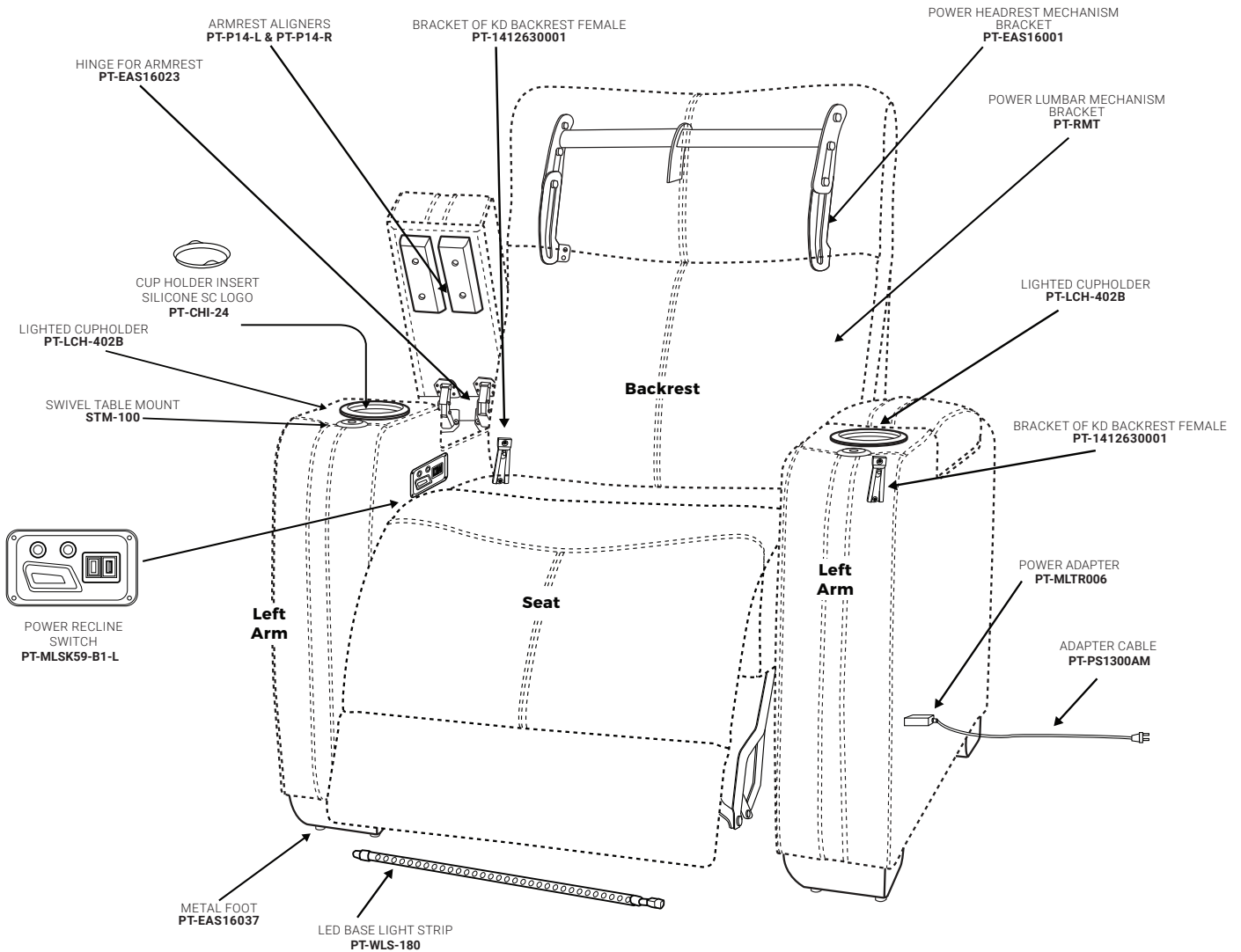
---

**A.** Connect an optional SoundShaker amplifier kit to the SoundShaker cable.



# Seatcraft Solstice with Power Recline

## 2260-E



Recline Mechanism - Power	PT-L&P 3368-4
Recliner Motor	PT-ML9-158
Headrest Motor	PT-ML12-013A
Lumbar Motor	PT-ML12-041
Backrest Only	2260-(Material)-BC01



# Warranty Information

Seatcraft is proud of its high standards of quality and workmanship that go into our products. The customer is protected by the following Limited Warranty, which applies to seats under normal indoor residential use. This warranty does not apply to seats used for commercial, institutional, or other non-residential uses.

**ONE YEAR LIMITED WARRANTY:** Seatcraft provides (1) one year comprehensive coverage for all components such as materials, foam and frame parts, and mechanisms including motorized parts from defective materials or workmanship.

**MATERIAL:** Normal fabric fading, shrinking, or stretching is not covered by this warranty. Similarly, the natural markings, stretching, and shrinking of leather is a proud mark of authenticity and therefore not covered by this warranty. Evidence of improper cleaning, abuse, or abnormal use of the materials will void this warranty.

**FOAM AND FRAME PARTS:** Seatcraft warrants these components for (1) one year from the time of delivery, against manufacturing defects. Foam compression is natural, and therefore not covered by this warranty.

**MECHANISMS:** Seatcraft warrants these components for (1) one year from the time of delivery, against manufacturing defects. After the warranty period, the customer is responsible for inspection, labor and transportation costs.

No warranties, express or implied, apply after the expiration of this Limited Warranty. The warranty period covers repair, substitution, and replacement. No returns or refunds are covered. A proof of purchase is required to service a claim; simply present the bill of sale to the dealer from whom the item was purchased, to request warranty service. Seatcraft is not liable for incidental or consequential damages occurring outside the terms of this warranty, even if advance knowledge of such damages was possible.

## Contact Information

We're here to help. For any missing or damaged parts or installation assistance please call us at 1-855-244-0170.

### **HOURS**

Mon-Fri	6AM - 7PM PST
Sat	9AM - 5PM PST
Sun	10AM - 5PM PST