

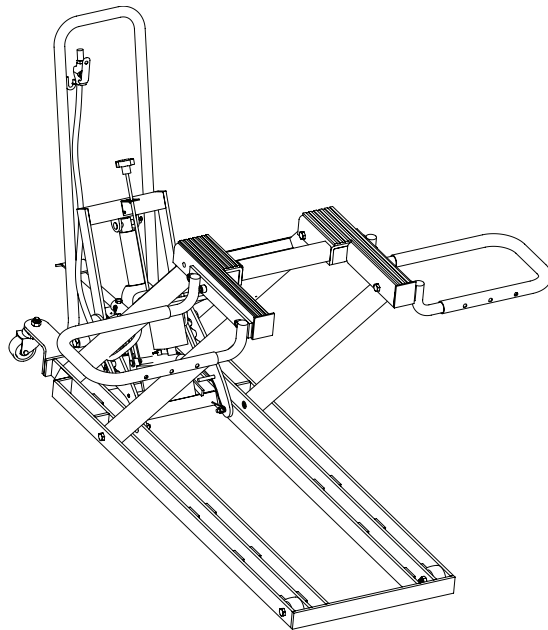
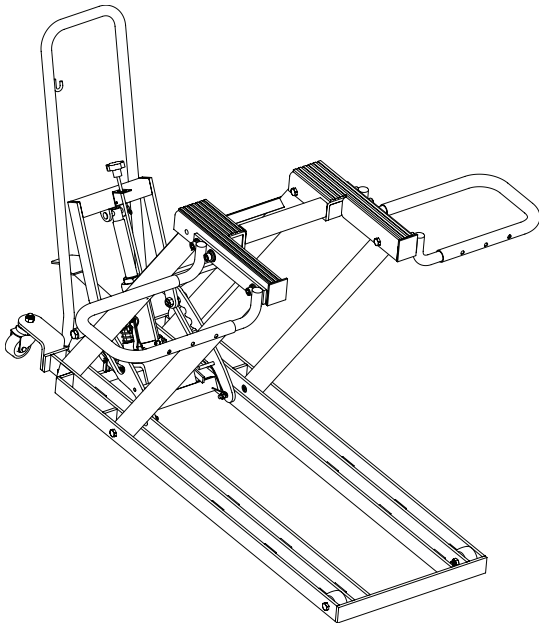


Mower Lift

Operating Instructions & Parts Manual

Model
T-5500
T-5501

Capacity
500 lbs. (Wheel Baskets)
750 lbs. (platform)



U.S. Patent No. 8,469,338



This is the safety alert symbol. It is used to alert you to potential personal injury hazards. Obey all safety messages that follow this symbol to avoid possible injury or death.

SFA Companies
10939 N. Pomona Avenue
Kansas City, MO 64153
Phone: 888-332-6419

Printed in China
T-5500-M0_092017

SAFETY AND GENERAL INFORMATION

Save these instructions. For your safety, read, understand, and follow the information provided with and on this lift. The owner and operator of this equipment shall have an understanding of this lift and its safe operating procedures before attempting to use. The owner and operator shall be aware that use and repair of this product may require special skills and knowledge. Instructions and safety information shall be conveyed in the operator's native language before use of this lift is authorized. If any doubt exists as to the safe and proper use of this lift, remove from service immediately. Inspect before each use. Do not use if broken, bent, cracked or damaged parts are noted. Any lift that appears damaged in any way, or operates abnormally shall be removed from service immediately. If the lift has been or is suspected to have been subjected to a shock load (a load dropped suddenly, unexpectedly upon it), immediately discontinue use until it has been examined by a Pro-Lift authorized service center. It is recommended that an annual

inspection be done by qualified personnel. Labels and Operator's Manuals are available from the manufacturer (see Replacement Parts, pg. 6 & 7).

PRODUCT DESCRIPTION

The Pro-Lift Mower Lift is specifically designed to lift, and support, up to rated capacity loads consisting of a single riding lawn mower whose frame is compatible with the lifting platform. Incompatibility is evident when the loaded mower wobbles, feels unstable, and/or does not sit securely on the lift platform. This product is NOT suitable for lifting, leveling and/or positioning automobiles, trucks, SUV's or conveyances other than those specifically listed and approved above. This product is NOT suitable for lifting, leveling and/or positioning houses, construction trailers and dwellings in general. This product does not contain independent lifting devices, but is designed to be permanently assembled. The Hydraulic Unit is not to be used independently of the lift.

SPECIFICATIONS

Base Size (L x W)	Lift Surface	Capacity	Compatible Wheel Track	Min. Height	Max. Height
53-1/2" x 17"	Platform	750 lbs.	N/A	4-1/2"	31"
	Wheel Basket	500 lbs.	55-1/2" outside span		27"

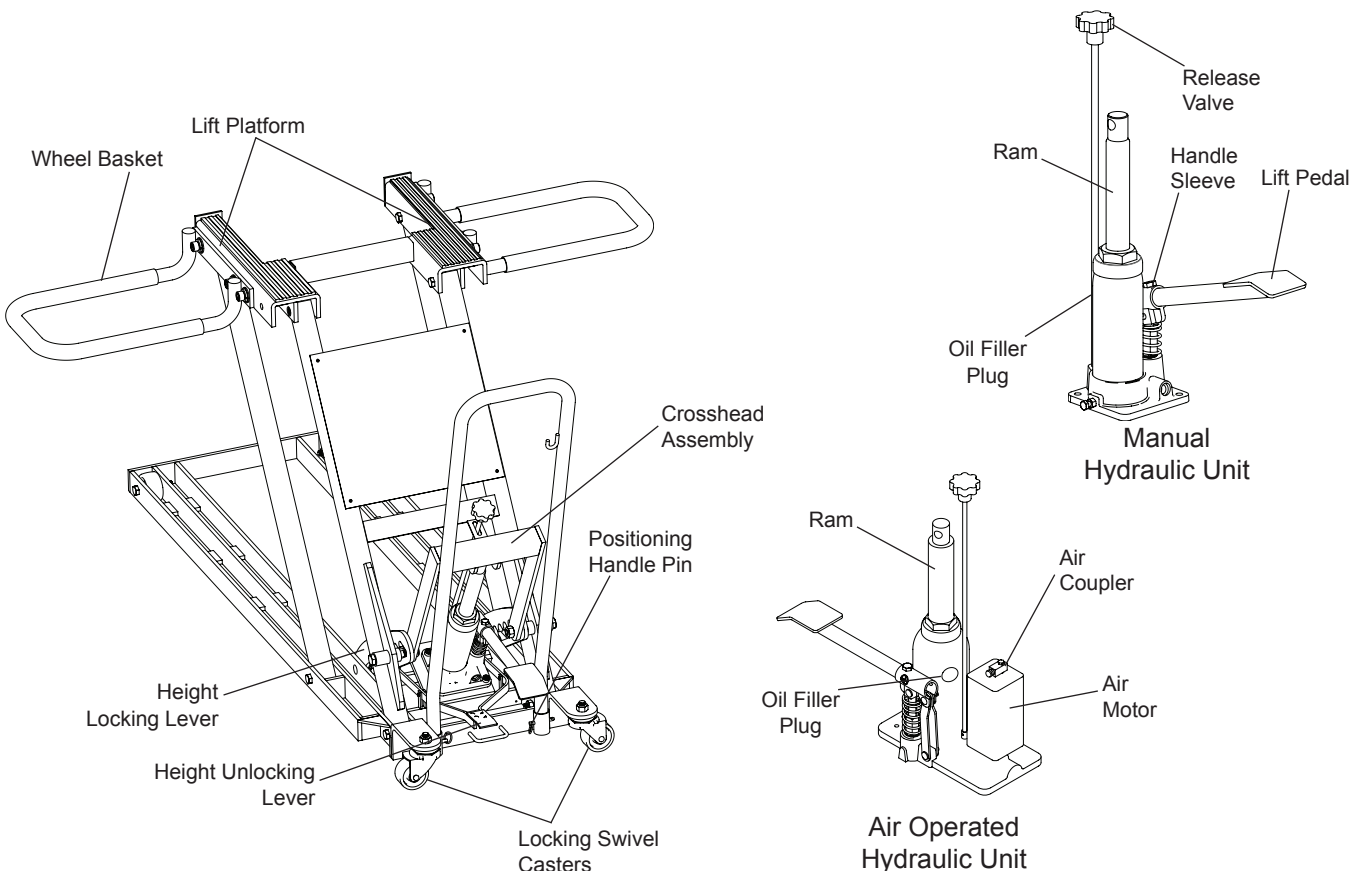


Figure 1 - Model T-5500/T-5501 Nomenclature

PREPARATION (ref. Fig. 1)

1. Before using this product, read the operator's manual completely and familiarize yourself thoroughly with the product, its components and recognize the hazards associated with its use.
2. Verify that the product and application are compatible, if in doubt call Customer Service (888) 332-6419.
3. To familiarize yourself with basic operation, place Hydraulic Unit in an upright, level position then turn Release Valve:
 - a. *Clockwise* until firm resistance is felt to further turning. This is the '**CLOSED**' release valve position used to **raise** the ram plunger.

- b. *Counter-clockwise*, but no more than 1/2 turn from the closed position. This is the '**OPEN**' release valve position used to **lower** the ram plunger.
4. With Ram fully retracted and release valve closed, pump Lift Pedal. If Ram responds immediately, bottle jack is ready for use. If not, follow **Bleeding/Venting Trapped Air** procedure, pg. 4. Ensure the oil level is just below the oil filler hole.
 5. *For Model T-5501*: Pour a teaspoon of good quality, air tool lubricant into the air supply inlet of the lift control valve. Connect to air supply and operate for 3 seconds to evenly distribute lubricant.

!WARNING

- Study, understand and follow all instructions before operating this device.
- Use of this product is limited to lifting, lowering and holding loads consisting of a single riding lawn mower whose lifting points are compatible with the lifting platform. Incompatibility is evident when the loaded mower wobbles, appears unstable, and/or does not securely engage the lift platform.
- Do not exceed rated capacity.
- Use only on hard, level surface capable of supporting the load.
- Center load on lift platform.
- When lifting the mower, center track between wheel cradles.
- Immediately after lifting load, ensure Height Locking Lever is engaged.
- Engage locking caster mechanism before working on or around loaded lift. Do not move or dolly load supported by this device.
- Restraining an incompatible load will not make the load secure and may cause unexpected loss of load.
- Never work on, around or under a load that is not secured and stable.
- Keep operator's and bystander's head, hands and feet away from lift arms when raising and lowering.
- No alterations shall be made to this product.
- Failure to heed this warning may result in personal injury and/or property damage.

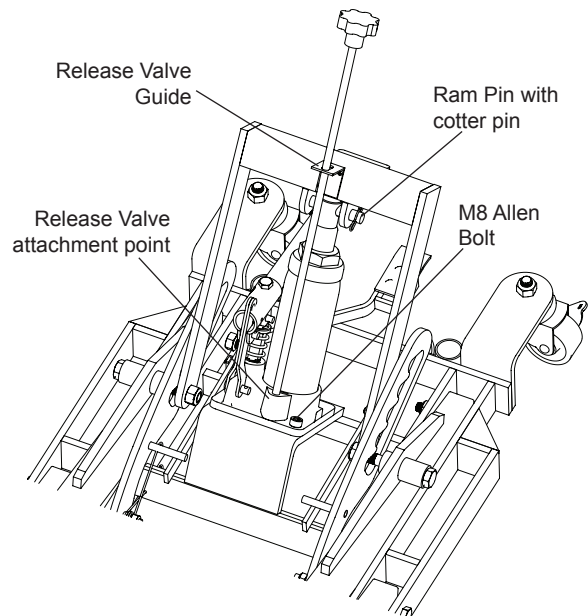


Figure 2 - Hydraulic Unit assembly

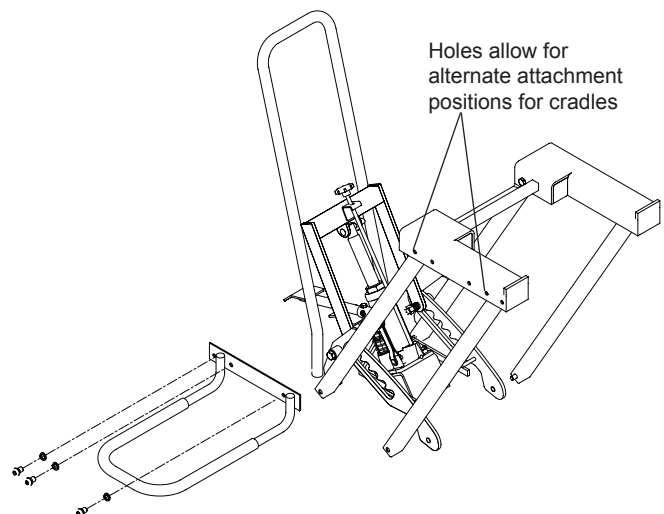


Figure 3 - Wheel Cradle assembly

PREPARATION (cont.)

NOTICE: *The T-5501 is equipped with a 1/4" NPT air coupler. If installing a different air coupler, ensure thread tape or compound is used when servicing connections. To ensure dependable, trouble free operation an inline air dryer and oiler is recommended.*

6. Pump mechanism should operate smoothly before putting jack into service. Replace worn or damaged parts and assemblies with Pro-Lift authorized replacement parts only.

Bleeding/Venting Trapped Air

With the Release Valve in the OPEN position (step 3b, pg. 3) and Ram fully lowered, locate and remove the oil filler screw. As screw is removed, pressurized air may be heard escaping from the reservoir.

CAUTION: *Reservoir may be under pressure and hydraulic oil may be expelled.*

This means trapped air has been successfully removed from the system. With Lift Pedal in the sleeve, pump 6 to 8 full strokes. This will help release any pressurized air still trapped within the reservoir. Oil level should be even with the bottom of the oil filler hole. Reinstall the oil filler plug/screw.

ASSEMBLY

1. Install Hydraulic Unit on receiver and secure with provided M8 x 1.25 bolts (ref. Figure 2).
2. Insert Ram pin through Ram and Ram brackets on crosshead assembly, then install cotter pin.
3. Insert Release Valve through Release Valve guide and attach to Hydraulic Unit with screw and nut provided.
4. Insert Lift Pedal into Sleeve and attach with supplied bolt.
5. Install Positioning Handle into frame and secure using the provided pins (2).
6. Attach two Wheel Baskets to sides of Lift Platform (ref. Figure 3).
7. After assembly, ensure that lift rolls, lifts and locks, and that pump operates smoothly before putting into service. Familiarize yourself with how Height Locking Lever, Lift Pedal, and the Height Unlocking Lever operate prior to loading lift. Replace worn or damaged parts and assemblies with authorized replacement parts only (ref. Replacement Parts, pg. 6). Lubricate as instructed in Maintenance Section.

OPERATION

1. Adjust Wheel Baskets to their correct position.
2. Drive mower onto Wheel Baskets.

WARNING: *Use only on hard, level surface capable of supporting the load.*

3. Leave mower transmission in neutral, close Hydraulic Release Valve. Carefully pump jack until mower reaches desired height. Final height must correspond with the locking teeth on the Height Locking Lever.
4. Carefully turn the Release Valve counterclockwise until the Lift Platform engages the Height Locking Lever, then close the Release Valve by turning it fully clockwise. **Do not work around or under load unless Height Locking Lever is properly engaged.**
5. Secure the mower by setting the parking brake, putting transmission in gear and chocking the wheels.

CAUTION: *Clear all tools and personnel before lowering load. Only attachments and/or adapters supplied by the manufacturer shall be used with this device.*

6. To lower the Lift Platform, release the mower's parking brake, place transmission in neutral and remove chocks. Pump the Lift Pedal several times to disengage the Height Locking Lever.

MAINTENANCE

Keep lift clean and well lubricated. Apply a couple of drops of light machine oil to all pivoting joints as needed. Thoroughly wipe up excess oil.

NOTICE: *Use premium quality hydraulic jack oil. Avoid mixing different types of fluid and NEVER use brake fluid, turbine oil, transmission fluid, motor oil or glycerin. Improper fluid can cause failure of the jack and the potential for sudden and immediate loss of load.*

Adding oil

1. To check hydraulic oil level, unload lift, lower Lift Platform completely, then remove Hydraulic Unit from lift. Place Hydraulic Unit upright on a stable, level surface. Locate and remove Oil Filler Plug.
2. Ensure the oil level is even with the Oil Filler Plug hole. Reinstall the Oil Filler Plug, then install Hydraulic Unit onto receiver. Secure with provided bolts.

Changing oil

For best performance and longest life, completely replace the hydraulic fluid supply at least once per year.

1. With Lift Platform fully lowered, remove Hydraulic Unit from lift. Place Hydraulic Unit upright on a stable, level surface. Remove the Oil Filler Plug.
2. Lay the unit on its side and drain hydraulic fluid into a suitable container.

NOTICE: *Dispose of used hydraulic fluid in accordance with local environmental regulations.*

- When refilling, ensure the fluid level is even with the Oil Filler Plug hole. Reinstall the Oil Filler Plug, then install Hydraulic Unit onto receiver.

Lubrication

A periodic coating of light lubricating oil to pivot points, axles and hinges will help to prevent rust and assure that wheels, casters and pump assemblies move freely.

Cleaning

Check the pump piston and Ram occasionally for signs of rust or corrosion. Clean as needed and wipe with an oily cloth.

Storage

When lift is not in use, Lift Platform should be stored in the fully retracted position.

TROUBLESHOOTING

Symptom	Possible Causes	Corrective Action
Hydraulic Unit will not lift	<ul style="list-style-type: none"> Release Valve not tightly closed Overload condition 	<ul style="list-style-type: none"> Ensure Release Valve tightly closed Reduce overload condition
Hydraulic Unit bleeds off after lift	<ul style="list-style-type: none"> Release Valve not tightly closed Overload condition 	<ul style="list-style-type: none"> Ensure Release Valve tightly closed Reduce overload condition Contact Customer Service
Lifting Platform will not lower after unloading	<ul style="list-style-type: none"> Reservoir overfilled Linkages binding 	<ul style="list-style-type: none"> Drain fluid to proper level Clean and lubricate moving parts
Poor lift performance	<ul style="list-style-type: none"> Fluid level low Air trapped in system 	<ul style="list-style-type: none"> Ensure proper fluid level Follow Bleeding/Venting Trapped Air procedure, pg. 4
Will not lift to full extension	<ul style="list-style-type: none"> Fluid level low 	<ul style="list-style-type: none"> Ensure proper fluid level

ONE YEAR LIMITED WARRANTY

For a period of one (1) year from date of purchase, **SFA Companies** will repair or replace, at its option, without charge, any of its products which fails due to a defect in material or workmanship, or which fails to conform to any implied warranty not excluded hereby.

Performance of any obligation under this warranty may be obtained by returning the warranted product, freight prepaid, to **SFA Companies** Warranty Service Department, 10939 N. Pomona Ave., Kansas City, MO 64153.

Except where such limitations and exclusions are specifically prohibited by applicable law, (1) the CONSUMER'S SOLE AND EXCLUSIVE REMEDY SHALL BE THE REPAIR OR REPLACEMENT OF DEFECTIVE PRODUCTS AS DESCRIBED ABOVE, and (2) **SFA Companies** SHALL NOT BE LIABLE FOR ANY CONSEQUENTIAL OR INCIDENTAL DAMAGE OR LOSS WHATSOEVER, and (3) THE DURATION OF ANY AND ALL EXPRESSED AND IMPLIED WARRANTIES, INCLUDING WITHOUT LIMITATION, ANY WARRANTIES OF MERCHANTABILITY AND FITNESS FOR A PARTICULAR PURPOSE, IS LIMITED TO A PERIOD OF ONE (1) YEAR FROM DATE OF PURCHASE.

Some states do not allow limitations on how long an implied warranty lasts, so the above limitation may not apply to you. Some states do not allow the exclusion or limitation of incidental or consequential damages, so the above limitation or exclusion may not apply to you. This warranty gives you specific legal rights, and you may also have other rights which vary from state to state.

REPLACEMENT PARTS

Available Parts: Please refer to the parts drawing when ordering parts. Not all components of the Lift are replacement items, but are illustrated as a convenient reference of location and position in the assembly sequence. When ordering parts, give Model number, serial number and description. Call or write for current pricing: SFA Companies, 10939 N. Pomona Ave. Kansas City, MO 64153, U.S.A. Telephone: 1-888-332-6419 Fax: 1-816-891-6599

T-5500 REPLACEMENT PARTS

Item	Part No.	Description	Qty
1	T-5500-1	Front Wheel Assembly	2
2	T-5500-2	Locking Swivel Caster Assembly	2
3	T-5500-3	Hydraulic Unit Assembly	1
4	T-5500-4	Lift Pedal	1
5	T-5500-5	Height Unlocking Lever	1
6	T-5500-6	Positioning Handle	1
7	T-5500-7	Height Locking Lever Springs	2
8	T-5500-8	Wheel Basket, Left	1
9	T-5500-9	Wheel Basket, Right	1
10	T-5500-10	Platform Pads, Rubber	2
11	T-5500-12	Release Valve	1
12	T-5500-11	Hardware Kit	-
-	T-5500-L0	Labels (not shown)	-
-	T-5500-M0	Owner's Manual	-

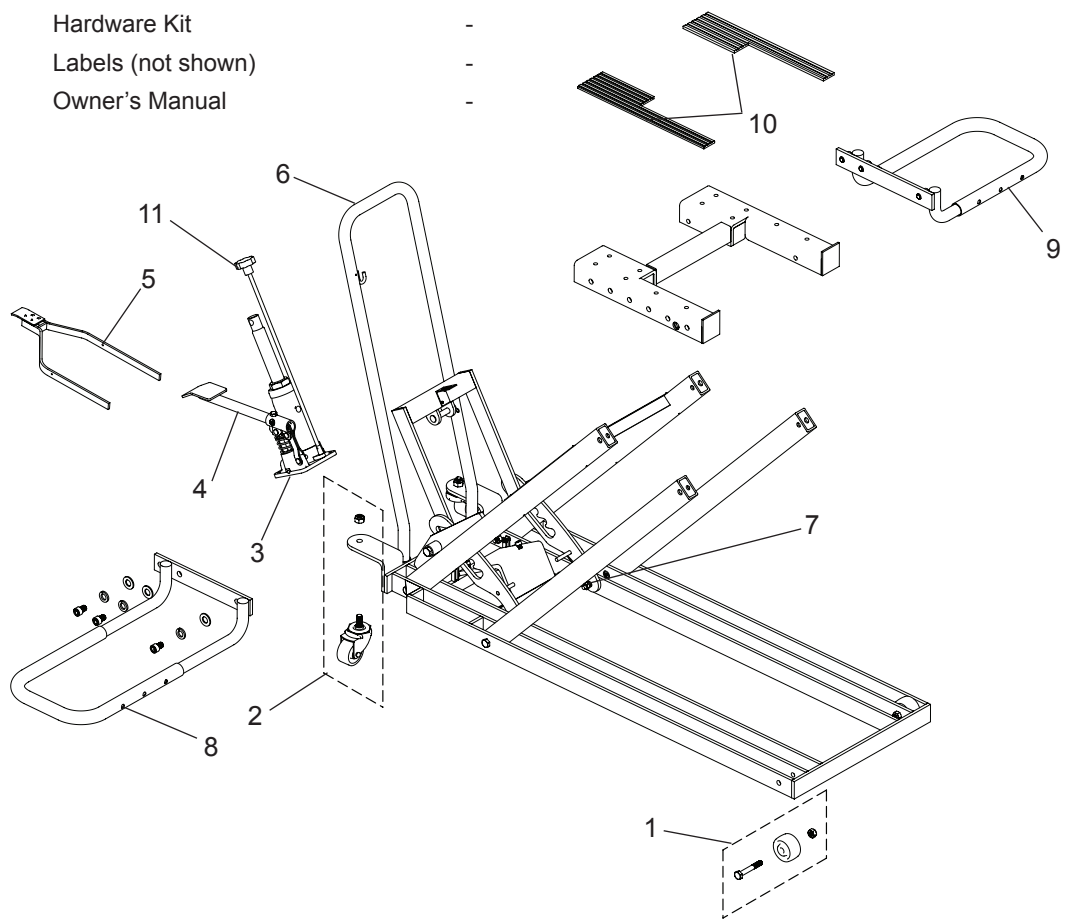


Figure 4 - Replacement Parts Illustration for Model T-5500

The T-5500 may be upgraded to an air operated T-5501 through purchase and installation of the T-5500UPG Kit

T-5501 REPLACEMENT PARTS

Item	Part No.	Description	Qty
1	T-5500-1	Front Wheel Assembly	2
2	T-5500-2	Locking Swivel Caster Assembly	2
3	T-5501-3	Hydraulic Unit Assembly (items 4, 11 and 12 not included)	1
4	T-5500-4	Lift Pedal	1
5	T-5500-5	Height Unlocking Lever	1
6	T-5500-6	Positioning Handle	1
7	T-5500-7	Height Locking Lever Springs	2
8	T-5500-8	Wheel Basket, Left	1
9	T-5500-9	Wheel Basket, Right	1
10	T-5500-10	Platform Pads, Rubber	2
11	T-5500-12	Release Valve	1
12	T-5501-13	Air Hose	1
13	T-5501-14	Air Motor	1
14	T-5500-11	Hardware Kit	-
-	T-5500-L0	Labels (not shown)	-
-	T-5500-M0	Owner's Manual	-

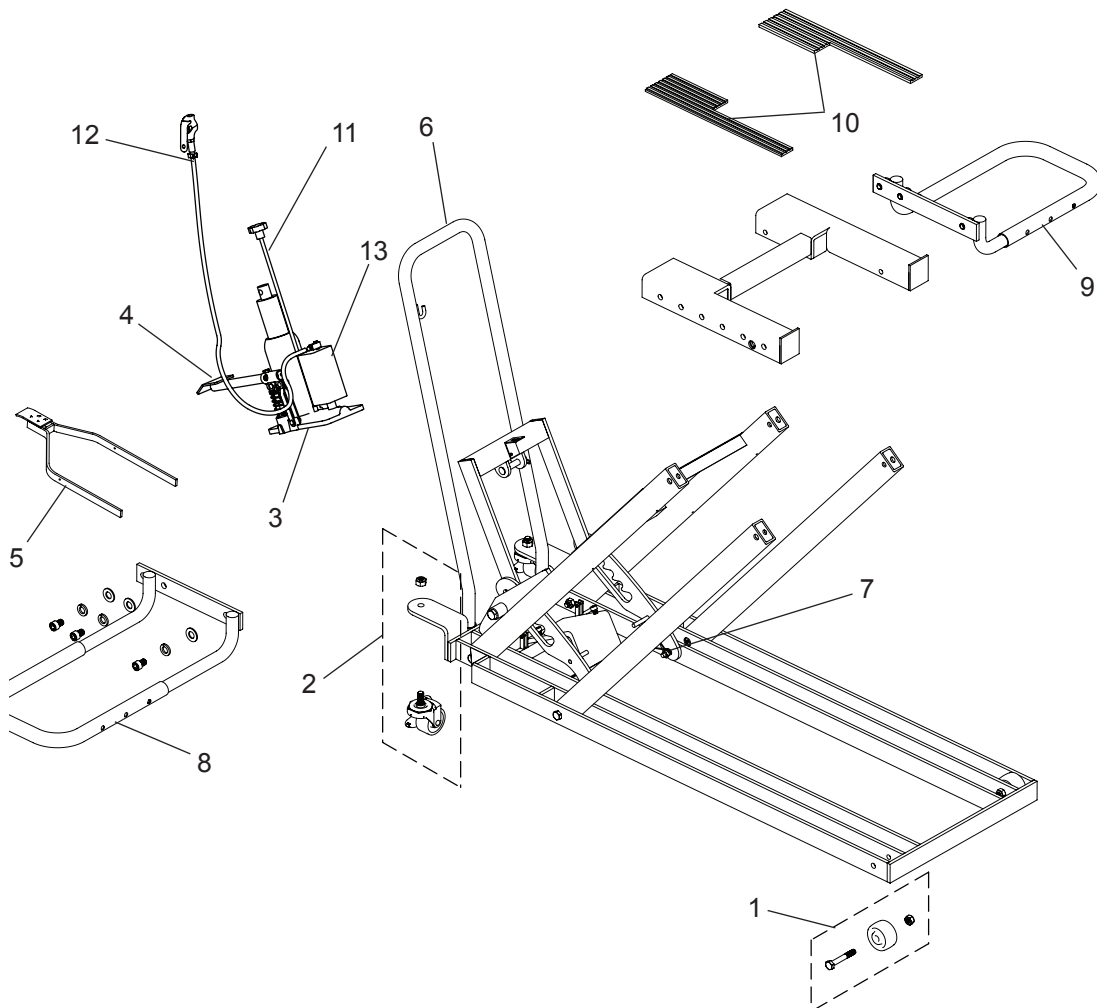


Figure 5 - Replacement Parts Illustration for Model T-5501



SFA Companies
10939 N. Pomona Ave. Kansas City, MO 64153, U.S.A.
Tel:(888) 332-6419 Fax:(816) 891-6599

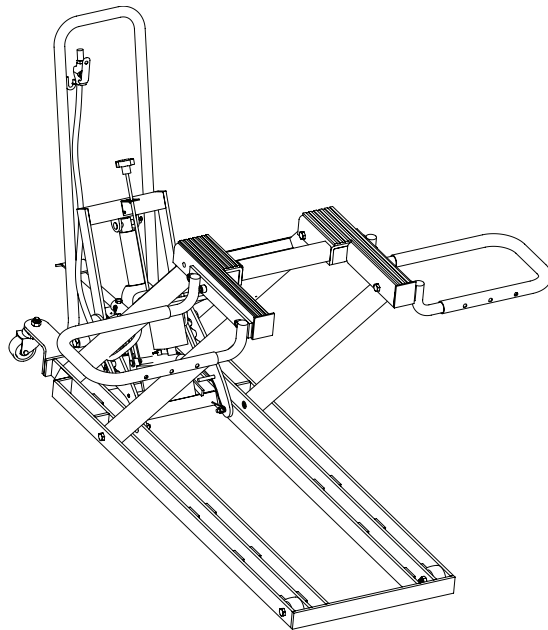
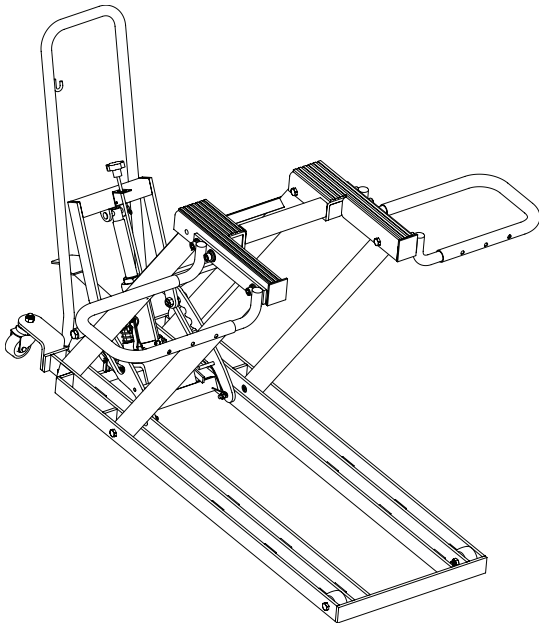


Lève-tondeuses

Manuel des consignes d'utilisation et des pièces

Modèles
T-5500
T-5501

Capacité
227 kg (500 lb) (supports de roue)
340 kg (750 lb) (plate-forme)



Brevet américain n° 8 469 338



Voici le symbole signalant un danger pour la sécurité. Il est utilisé pour vous alerter des dangers potentiels de blessures. Respectez tous les messages de sécurité qui suivent ce symbole afin d'éviter les blessures et la mort.

SFA Companies
10939 N. Pomona Avenue
Kansas City, MO 64153
Téléphone : 1 888 332-6419

Imprimé en Chine
T-5500-M0_092017

INFORMATIONS GÉNÉRALES ET INFORMATIONS RELATIVES À LA SÉCURITÉ

Conservez ces instructions. Pour votre sécurité, lisez, comprenez et respectez toutes les consignes fournies avec cet appareil ou se trouvant sur celui-ci. Le propriétaire et l'utilisateur doivent comprendre le fonctionnement de ce produit et les consignes de sécurité associées à son utilisation avant de s'en servir. Ces personnes doivent aussi savoir que, pour utiliser ou réparer ce produit, il peut être nécessaire d'avoir des connaissances ou des habiletés spéciales. Avant que l'utilisation de ce produit ne soit autorisée, il faut faire connaître à l'opérateur, dans sa langue maternelle, les instructions et les informations relatives à la sécurité. S'il y a des doutes quant à la façon adéquate et sécuritaire de se servir de l'appareil de levage, il faut en cesser l'utilisation immédiatement. Inspectez avant chaque utilisation. N'utilisez pas le produit s'il y a des pièces brisées, déformées, fissurées ou endommagées. Il faut immédiatement cesser l'utilisation de tout produit qui est endommagé d'une quelconque façon ou fonctionne de manière anormale. Si l'appareil a été soumis ou s'il y a des raisons de croire qu'il a été soumis à une charge d'impact (comme une charge qui serait tombée accidentellement sur celui-ci), cessez de l'utiliser immédiatement jusqu'à

ce qu'il soit inspecté à un centre de réparation autorisé par Pro-Lift. Il est recommandé qu'un personnel qualifié inspecte l'appareil annuellement. Il est possible de se procurer d'autres étiquettes et manuels auprès du fabricant (consultez la section des pièces de rechange des pages 14 et 15).

DESCRIPTION DU PRODUIT

Le lève-tondeuse Pro-Lift est spécialement conçu pour soulever et soutenir une tondeuse à conducteur assis dont la structure est compatible avec la plate-forme de levage et la charge ne dépasse pas la capacité nominale du lève-tondeuse. Si la tondeuse soulevée ballote, semble instable ou si elle ne repose pas de façon sécuritaire sur la plate-forme du lève-tondeuse, c'est que le produit n'est pas conçu pour la soulever. Ce produit N'EST PAS conçu pour lever, mettre à niveau et positionner des voitures, des camions, des véhicules utilitaires sport et des véhicules différents de ceux mentionnés ci-dessus et approuvés. Ce produit N'EST PAS fait pour lever, mettre à niveau et positionner des maisons, des unités mobiles de chantier et des logements en général. Ce produit ne comprend pas d'appareils de levage indépendants, étant plutôt conçu pour être assemblé de manière permanente. Le vérin hydraulique ne doit pas être utilisé sans le lève-tondeuse.

SPÉCIFICATIONS

Dim. de la base (L x l)	Surface de levage	Capacité	Largeur de tondeuse permise	Hauteur min.	Hauteur max.
135,89 x 43,18 cm (53-1/2 x 17 po)	Plate-forme	340 kg (750 lb)	S.O.	11,4 cm (4-1/2 po)	78,7 cm (31 po)
	Support de roue	227 kg (500 lb)	141 cm (55-1/2 po) (mesure ext. des pneus)		68,6 cm (27 po)

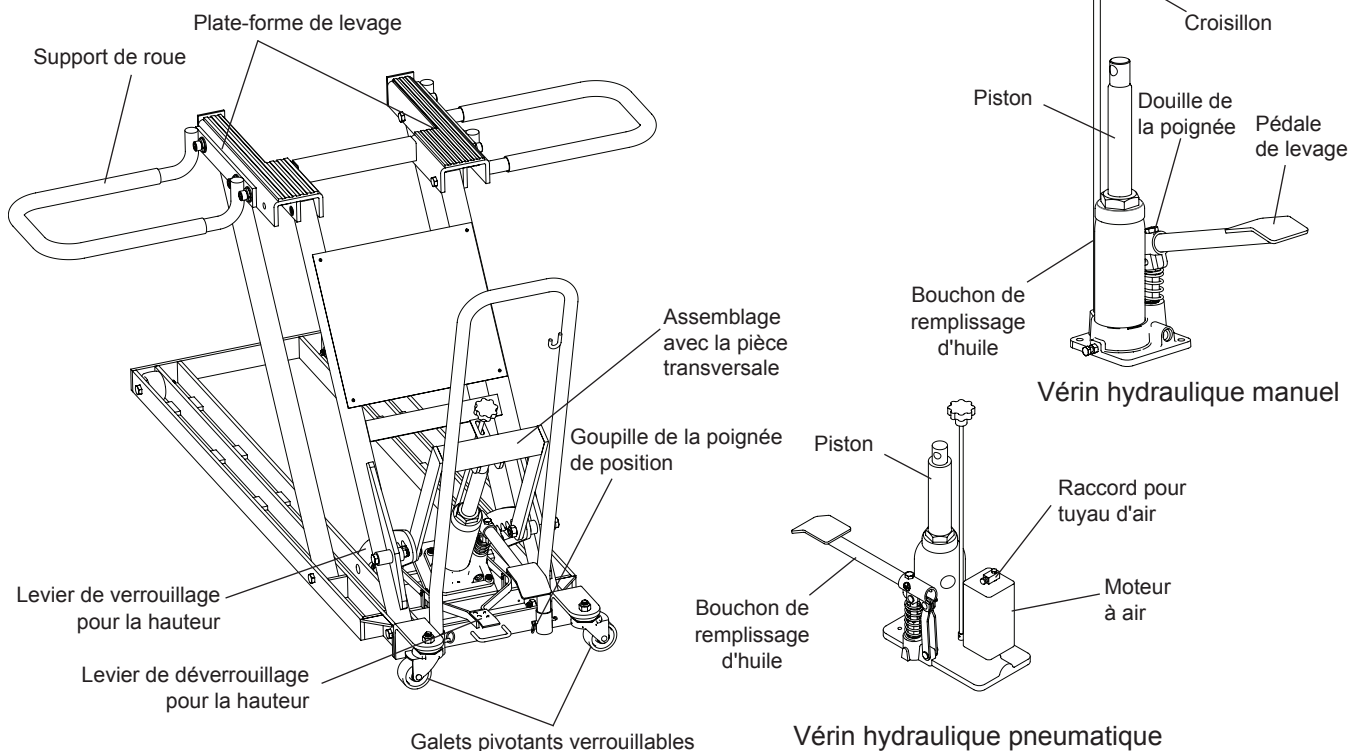


Figure 1 : Pièces des lève-tondeuses T-5500 et T-5501

PRÉPARATION (Voir la figure 1.)

1. Avant d'utiliser ce produit, lisez le manuel d'utilisation au complet et familiarisez-vous parfaitement avec le produit et ses composants, et identifiez les dangers associés à son utilisation.
2. Vérifiez que le produit et son utilisation sont compatibles. Si vous avez des doutes, appelez le service à la clientèle au 1 888 332-6419.
3. Afin de vous familiariser avec le fonctionnement de base du lève-tondeuse, mettez le vérin hydraulique debout et à niveau, puis tournez le croisillon :
 - a. Dans le sens *horaire* jusqu'à ce que vous sentiez une forte résistance au mouvement. C'est la position « **FERMÉE** » de la soupape de surpression utilisée pour **lever** le piston du vérin.
 - b. Dans le sens *antihoraire*, mais pas plus d'un demi-tour à partir de la position fermée. C'est la position « **OUVERTE** » de la soupape de surpression utilisée pour **abaisser** le piston du vérin.

⚠ MISE EN GARDE

- Lisez, comprenez et respectez toutes les instructions avant d'utiliser ce produit.
- Ce produit est conçu seulement pour soulever, soutenir et abaisser une tondeuse à conducteur assis dont les points de levage sont compatibles avec la plate-forme de levage. Si la tondeuse soulevée ballote, semble instable ou n'est pas compatible avec la plate-forme, c'est que le produit n'est pas conçu pour la soulever.
- Ne dépassez pas la capacité nominale.
- Utilisez le produit seulement sur des surfaces dures et de niveau capable de supporter la charge.
- Centrez la charge sur la plate-forme de levage.
- Lorsque vous soulevez la tondeuse, centrez-la entre les supports de roue.
- Immédiatement après le levage, assurez-vous que le levier de verrouillage pour la hauteur est enclenché.
- Enclenchez le mécanisme de verrouillage des galets avant de travailler sur la charge soulevée ou près de celle-ci. Ne déplacez pas la charge et n'utilisez pas le lève-tondeuse pour ce faire.
- Une charge non compatible fixée au lève-tondeuse peut tomber de façon inattendue.
- Ne travaillez jamais sur, sous ou autour d'une charge qui n'est pas stable et fixée.
- L'opérateur et les personnes proches de l'appareil doivent garder la tête, les mains et les pieds éloignés des bras de levage lors des manœuvres de levage et d'abaissement.
- Ne modifiez pas cet appareil.
- Le non-respect des consignes peut entraîner des blessures et des dommages matériels.

4. Lorsque le piston est complètement rentré et que la soupape de surpression est fermée, pesez sur la pédale de levage. Si le vérin à piston plongeur réagit immédiatement, le cric-bouteille peut maintenant être utilisé. Si ce n'est pas le cas, suivez la procédure de la section **Purge de l'air emprisonné** de la page 12. Assurez-vous que le niveau d'huile se situe juste en dessous du trou de remplissage d'huile.
5. *Pour le modèle T-5501* : Versez une cuillerée à thé de lubrifiant de bonne qualité pour outil à air dans l'entrée de l'alimentation d'air de la vanne de commande de levage. Branchez l'alimentation en air et faites fonctionner le cric pendant 3 secondes pour distribuer le lubrifiant de façon uniforme.

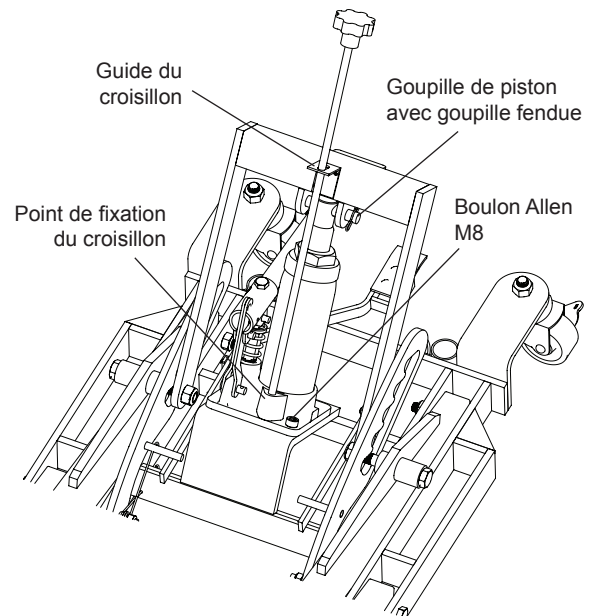


Figure 2 : Assemblage du vérin hydraulique

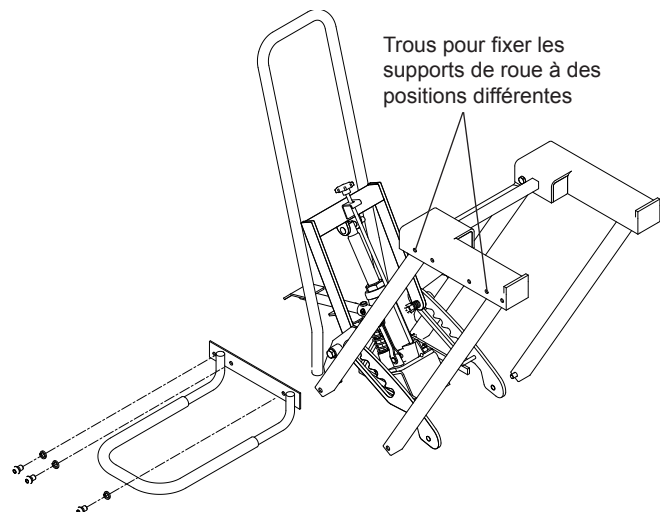


Figure 3 : Assemblage des supports de roue

PRÉPARATION (Suite)

AVIS : Le lève-tondeuse T-5501 est doté d'un raccord pour tuyau d'air 1/4 po NPT. Si vous installez un raccord d'air différent, assurez-vous d'utiliser du ruban pour joints filetés ou du scellant lors de l'entretien des branchements. Il est recommandé d'utiliser un dessiccateur d'air en ligne et un huileur d'air en ligne pour assurer un fonctionnement fiable sans problème.

6. Le mécanisme de levage doit fonctionner en douceur avant que l'appareil soit utilisé. Remplacez les pièces et les assemblages usés ou endommagés seulement par des pièces de rechange autorisées par Pro-Lift.

Purge de l'air emprisonné

Lorsque le croisillon est à la position OUVERTE (étape 3 b. de la page 11) et que le piston est à son niveau minimal, trouvez et enlevez la vis de remplissage d'huile. Lorsque la vis est enlevée, vous devriez entendre de l'air s'échapper du réservoir.

ATTENTION : Il est possible que le réservoir soit sous pression et que de l'huile hydraulique s'échappe de celui-ci.

Cela veut dire que l'air emprisonné a été évacué du système avec succès. Une fois la pédale de levage installée dans la douille, abaissez-la de six à huit fois. Cela va faciliter la libération de tout air pressurisé encore emprisonné dans le réservoir. Le niveau d'huile devrait se situer à la hauteur du fond du trou de remplissage d'huile. Remettez le bouchon ou la vis.

ASSEMBLAGE

1. Installez le vérin hydraulique sur son support et fixez-le à l'aide des boulons M8 x 1,25 fournis (voir la figure 2).
2. Insérez la goupille du piston dans celui-ci et les ferrures du piston sur l'assemblage avec la pièce transversale, puis installez la goupille fendue.
3. Insérez le croisillon dans son guide et fixez-le au vérin hydraulique avec la vis et l'écrou fournis.
4. Insérez la pédale de levage dans la douille et fixez-la à l'aide du boulon fourni.
5. Installez la poignée de position dans la structure et fixez-la en utilisant les goupilles fournies (2).
6. Fixez les deux supports de roue sur les côtés de la plate-forme de levage (voir la figure 3).
7. Après l'assemblage, mais avant la mise en service, assurez-vous que le vérin fonctionne en douceur, que le lève-tondeuse se verrouille et se déplace librement et que le mécanisme de levage fonctionne. Familiarisez-vous avec le fonctionnement de la pédale de levage, du levier de verrouillage pour la hauteur et du levier de déverrouillage pour la hauteur avant d'utiliser le lève-tondeuse. Remplacez les pièces et les assemblages usés ou endommagés seulement par des pièces de rechange autorisées (voir la section des pièces de rechange à la page 14). Lubrifiez selon les instructions de la section Entretien.

FONCTIONNEMENT

1. Réglez les paniers des roues à leur position correcte.
2. Mouvoir la tondeuse sur les paniers des roues.

AVERTISSEMENT : Utilisez ce produit seulement sur des surfaces dures à niveau pouvant supporter les charges nominales.

3. Laissez la transmission de la tondeuse en position neutre, fermez la vanne de décharge hydraulique. Prenez soin de la pompe jusqu'à ce que la tondeuse atteigne la hauteur désirée. La hauteur finale doit correspondre aux dents de verrouillage du levier de verrouillage de hauteur.
4. Tournez soigneusement la soupape de déverrouillage dans le sens contraire des aiguilles d'une montre jusqu'à ce que la plate-forme de levage engage le levier de verrouillage de hauteur, puis fermez la vanne de déverrouillage en la tournant complètement dans le sens des aiguilles d'une montre. Ne marchez pas ou ne le chargez que si le levier de verrouillage de hauteur est correctement engagé.
5. Fixez la tondeuse en réglant le frein de stationnement, en mettant la transmission en marche arrière et en garnissant les roues.

ATTENTION : Avant d'abaisser la charge, assurez-vous qu'il n'y a aucun outil ni personne en dessous de celle-ci. Utilisez seulement les accessoires et les adaptateurs fournis par le fabricant.

6. Pour abaisser la plate-forme de levage, relâcher le frein de stationnement de la tondeuse, placer la transmission au point mort et retirer les cales. Pompez la pédale de levage plusieurs fois pour désengager le levier de verrouillage de hauteur.

ENTRETIEN

Gardez le lève-tondeuse propre et bien lubrifié. Mettez quelques gouttes d'huile légère pour machine sur toutes les articulations en fonction des besoins. Essuyez vigoureusement pour enlever toute huile en trop.

AVIS : Utilisez de l'huile pour cric hydraulique de première qualité. Évitez de mélanger différents types de liquides et n'utilisez JAMAIS de liquide pour frein, d'huile de turbine, de liquide de transmission, d'huile moteur ou de glycérine. L'utilisation d'un liquide inapproprié peut entraîner une défaillance du cric et causer une chute potentielle soudaine et immédiate de charge.

Ajouter de l'huile

1. Pour vérifier le niveau d'huile hydraulique, enlevez la charge, faites descendre la plate-forme complètement et retirez le vérin hydraulique. Placez le vérin hydraulique debout sur une surface stable à niveau. Trouvez et enlevez le bouchon de remplissage d'huile.
2. Assurez-vous que le niveau d'huile se trouve à la hauteur du trou du bouchon de remplissage d'huile. Remettez le bouchon, puis installez le vérin hydraulique sur son support. Fixez-le avec les boulons fournis.

Changer l'huile

Afin d'obtenir une performance et une durée de vie optimales, remplacez complètement le liquide hydraulique au moins une fois par année.

1. Lorsque la plate-forme est à son point le plus bas, retirez le vérin hydraulique. Placez le vérin hydraulique debout sur une surface stable à niveau. Enlevez le bouchon de remplissage d'huile.
2. Posez le vérin sur le côté et purgez le liquide hydraulique en l'envoyant dans un contenant adéquat.

AVIS : Jetez le liquide hydraulique usé en respectant la réglementation environnementale locale.

3. Lorsque vous refaites le plein d'huile, assurez-vous que le niveau d'huile se trouve à la hauteur du trou du bouchon de remplissage d'huile. Remettez le bouchon, puis installez le vérin hydraulique sur son support.

Lubrifier

Une lubrification périodique des points de pivotement, des axes et des charnières faite avec de l'huile légère aide à prévenir la rouille et à assurer que les roues, les

galets et les assemblages du levier bougent librement.

Nettoyer

Inspectez le piston du levier et le vérin à piston plongeur de temps à autre pour voir s'il y a de la rouille ou de la corrosion. Nettoyez selon les besoins et essuyez avec un linge huileux.

Ranger

Lorsque le lève-tondeuse n'est pas utilisé, la plate-forme de levage devrait être complètement abaissée.

DÉPANNAGE

Problème	Causes possibles	Mesure corrective
Vérin hydraulique ne soulevant pas la charge.	<ul style="list-style-type: none"> • Soupape de surpression qui n'est pas bien fermée • Surcharge 	<ul style="list-style-type: none"> • Assurez-vous que la soupape de surpression est bien fermée. • Remédiez au problème de surcharge.
Le vérin hydraulique fuit après le levage.	<ul style="list-style-type: none"> • Soupape de surpression qui n'est pas bien fermée • Surcharge 	<ul style="list-style-type: none"> • Assurez-vous que la soupape de surpression est bien fermée. • Remédiez au problème de surcharge. • Communiquez avec le service à la clientèle.
La plate-forme ne s'abaisse pas après avoir enlevé la charge.	<ul style="list-style-type: none"> • Trop de liquide hydraulique dans le réservoir • Blocage des articulations 	<ul style="list-style-type: none"> • Purgez le liquide pour le ramener au bon niveau. • Nettoyez les pièces mobiles et lubrifiez-les.
Performance de levage médiocre.	<ul style="list-style-type: none"> • Niveau de liquide bas • Air emprisonné dans l'appareil 	<ul style="list-style-type: none"> • Assurez-vous que le niveau de liquide est adéquat. • Suivez la procédure de la section Purge de l'air emprisonné de la page 12.
Le lève-tondeuse ne s'élève pas au maximum.	<ul style="list-style-type: none"> • Niveau de liquide bas 	<ul style="list-style-type: none"> • Assurez-vous que le niveau de liquide est adéquat.

GARANTIE LIMITÉE DE 1 AN

Pendant une période d'un an (1), à partir de la date d'achat, **SFA Companies** réparera ou remplacera, à sa discrétion, sans frais, tous ses produits qui sont défectueux à cause d'un défaut de matériau ou de fabrication ou ne respectent pas les conditions de toute garantie implicite qui n'est pas exclue par la présente garantie.

Pour bénéficier du service offert par la garantie, il faut retourner le produit couvert par celle-ci, port payé, à **SFA Companies**, Warranty Service Department, 10939 N. Pomona Ave., Kansas City, MO 64153, États-Unis.

Sauf dans les cas où les limitations et les exclusions décrites dans ce paragraphe sont spécifiquement interdites par la loi : (1) LE SEUL RECOURS DU CONSOMMATEUR EST DE FAIRE RÉPARER OU REMPLACER LES PRODUITS DÉFECTUEUX COMME DÉCRIT CI-DESSUS; (2) **SFA Companies** NE SERA PAS TENUE RESPONSABLE DES DOMMAGES CONSÉCUTIFS OU INDIRECTS OU DE PERTES QUELCONQUE; (3) LA DURÉE DE TOUTE GARANTIE IMPLICITE OU EXPRESSE, CE QUI INCLUT SANS LIMITATION LES GARANTIES IMPLICITES DE COMMERCIALITÉ ET D'ADAPTATION À UN USAGE PARTICULIER, SERA LIMITÉE À UN (1) AN À PARTIR DE LA DATE D'ACHAT.

Certaines provinces et certains États ne permettent pas de limiter la durée d'une garantie implicite et il est donc possible que la limitation décrite ci-dessus ne s'applique pas. Certaines provinces et certains États ne permettent pas d'exclure ou de limiter les dommages consécutifs ou indirects et il est donc possible que la limitation ou l'exclusion mentionnée ci-dessus ne s'applique pas. Cette garantie vous confère des droits particuliers et il est aussi possible que vous puissiez jouir d'autres droits qui varient d'une province à l'autre et d'un État à l'autre.

PIÈCES DE RECHANGE

Pièces remplaçables : Veuillez consulter le dessin des pièces lorsque vous commandez des pièces. Ce ne sont pas toutes les pièces du produit qui peuvent être remplacées, mais elles sont illustrées pour montrer leur emplacement ainsi que leur position pour l'assemblage. Lorsque vous commandez des pièces, fournissez le numéro du modèle, le numéro de série et la description de la pièce. Pour connaître les prix actuels, appelez-nous ou écrivez-nous : SFA Companies 10939 N. Pomona Ave. Kansas City, MO 64153, É.-U., téléphone : 1 888 332-6419, télécopieur : 1 816 891-6599.

PIÈCES DE RECHANGE DU MODÈLE T-5500

Pièce	N° de pièce	Description	Qté
1	T-5500-1	Assemblage de roue avant	2
2	T-5500-2	Assemblage de galet pivotant verrouillable	2
3	T-5500-3	Assemblage de vérin hydraulique	1
4	T-5500-4	Pédale de levage	1
5	T-5500-5	Levier de déverrouillage pour la hauteur	1
6	T-5500-6	Poignée de position	1
7	T-5500-7	Ressorts du levier de verrouillage pour la hauteur	2
8	T-5500-8	Support de roue gauche	1
9	T-5500-9	Support de roue droit	1
10	T-5500-10	Coussinets de plate-forme en caoutchouc	2
11	T-5500-12	Croisillon	1
12	T-5500-11	Trousse de quincaillerie	-
-	T-5500-L0	Étiquettes (non montrées)	-
-	T-5500-M0	Manuel d'utilisation	-

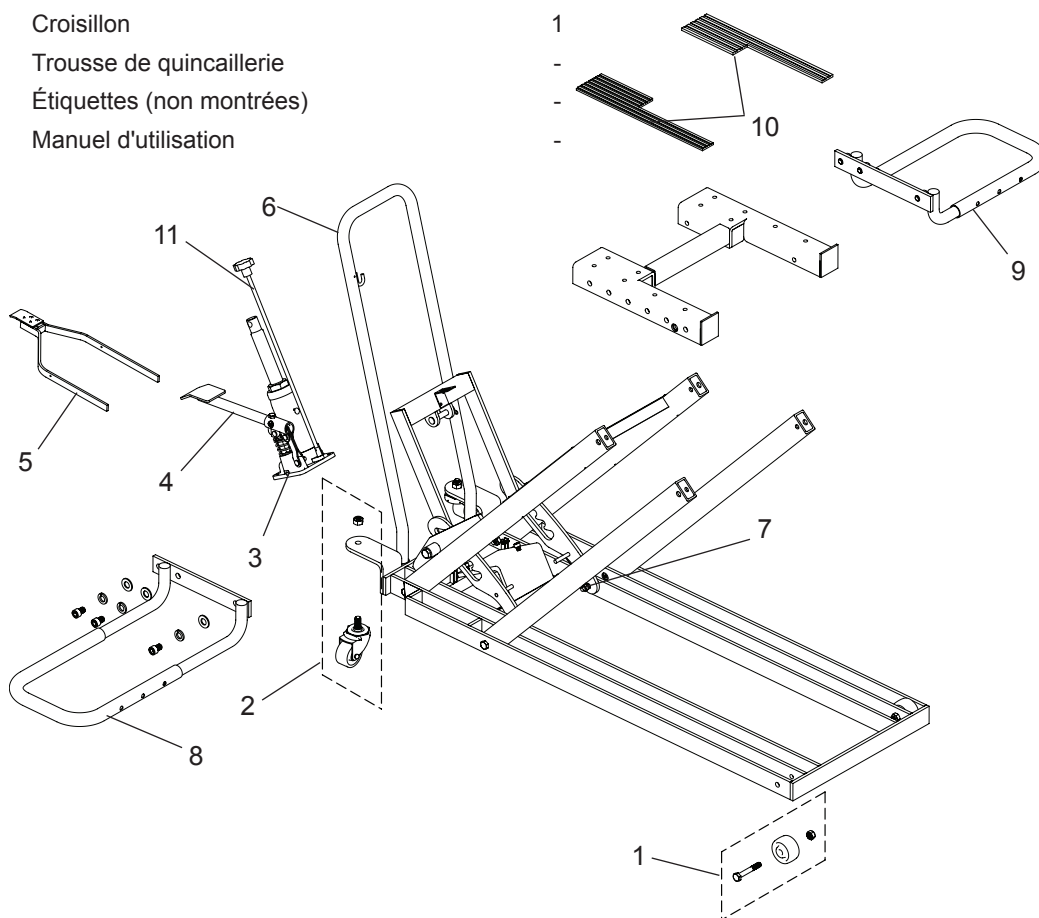


Figure 4 : Illustration des pièces de rechange du modèle T-5500

Le modèle T-5500 peut être amélioré en achetant et en installant l'ensemble T-5500UPG, ce qui en fait un modèle pneumatique T-5501.

PIÈCES DE RECHANGE DU MODÈLE T-5501

Pièce	N° de pièce	Description	Qté
1	T-5500-1	Assemblage de roue avant	2
2	T-5500-2	Assemblage de galet pivotant verrouillable	2
3	T-5501-3	Assemblage de vérin hydraulique (pièces 4, 11 et 12 non incluses)	1
4	T-5500-4	Pédale de levage	1
5	T-5500-5	Levier de déverrouillage pour la hauteur	1
6	T-5500-6	Poignée de position	1
7	T-5500-7	Ressorts du levier de verrouillage pour la hauteur	2
8	T-5500-8	Support de roue gauche	1
9	T-5500-9	Support de roue droit	1
10	T-5500-10	Coussinets de plate-forme en caoutchouc	2
11	T-5500-12	Croisillon	1
12	T-5501-13	Tuyau d'air	1
13	T-5501-14	Moteur à air	1
14	T-5500-11	Trousse de quincaillerie	-
-	T-5500-L0	Étiquettes (non montrées)	-
-	T-5500-M0	Manuel d'utilisation	-

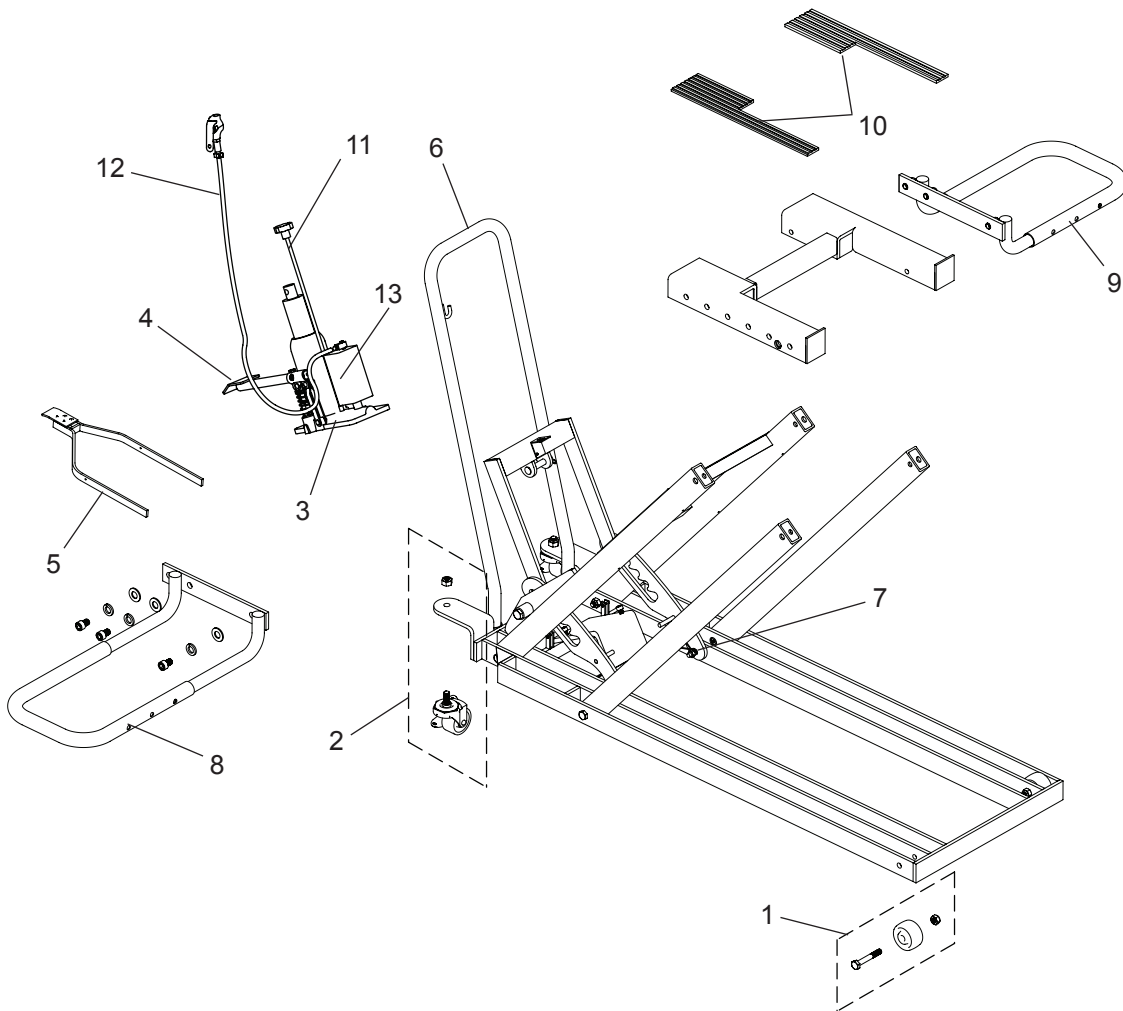


Figure 5 : Illustration des pièces de rechange du modèle T-5501



SFA Companies
10939 N. Pomona Ave., Kansas City, MO 64153, É.-U.
Téléphone : 1 888 332-6419 Télécopieur : 1 816 891-6599

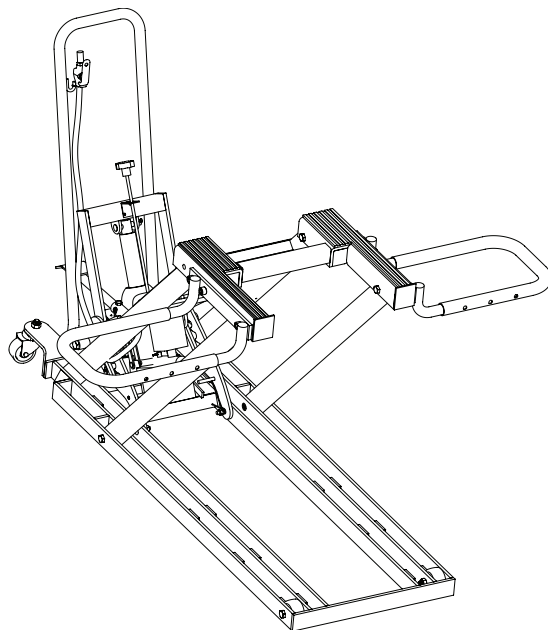
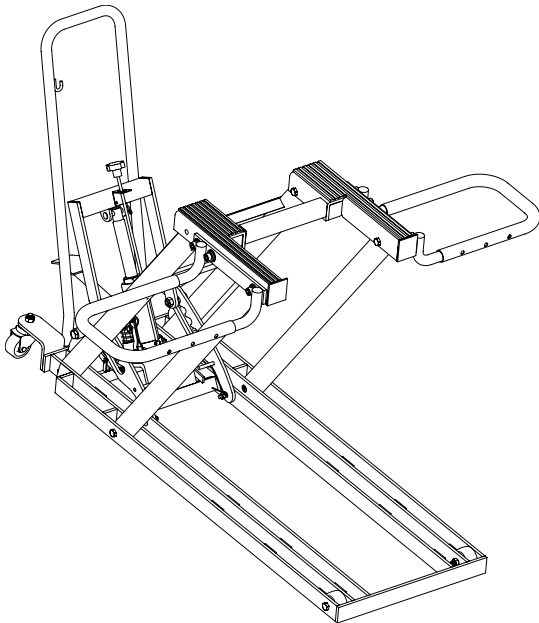


Elevadora para podadoras

Manual de piezas e instrucciones de funcionamiento

Modelo
T-5500
T-5501

Capacidad
500 lb (226,8 kg) (soportes de la rueda)
750 lb (340,2 kg) (plataforma)



Patente de EE. UU. N.º 8,469,338



Este es el símbolo de alerta de seguridad. Se usa para alertar sobre peligros potenciales de lesiones personales. Obedezca todos los mensajes de seguridad que tengan este símbolo, para evitar posibles lesiones personales o la muerte.

SFA Companies
10939 N. Pomona Avenue
Kansas City, MO 64153
Teléfono: (888) 332-6419

Impreso en China
T-5500-M0_092017

INFORMACIÓN GENERAL Y DE SEGURIDAD

Conserve estas instrucciones. Para su seguridad, lea, comprenda y siga la información que viene con esta elevadora antes de su uso. El propietario u operador de este equipo debe tener conocimientos sobre esta elevadora y los procedimientos de funcionamiento seguro antes de intentar usarla. El propietario y operador deben tener presente que el uso y la reparación de este producto podrían requerir habilidades y conocimientos especiales. Las instrucciones y la información de seguridad deben expresarse en la lengua materna del operador antes de recibir autorización para el uso de esta elevadora. Si tiene dudas sobre el uso seguro y adecuado de esta elevadora, proceda a sacarla de servicio de inmediato. Inspeccione el dispositivo antes de cada uso. No lo use si detecta que está roto, doblado, agrietado o tiene piezas dañadas. Debe sacar de servicio en forma inmediata toda elevadora que presente daños, de la naturaleza que fueren, o funcione mal. Si tiene la sospecha o la certeza de que la elevadora fue sometida a una carga de impacto (una carga arrojada repentina e inesperadamente sobre esta), interrumpa su uso de inmediato hasta su análisis por parte de un centro de servicio de Pro-Lift autorizado.

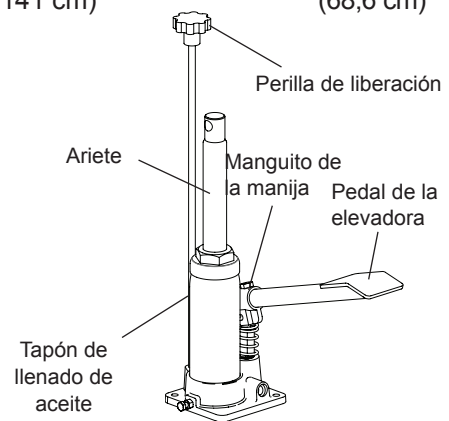
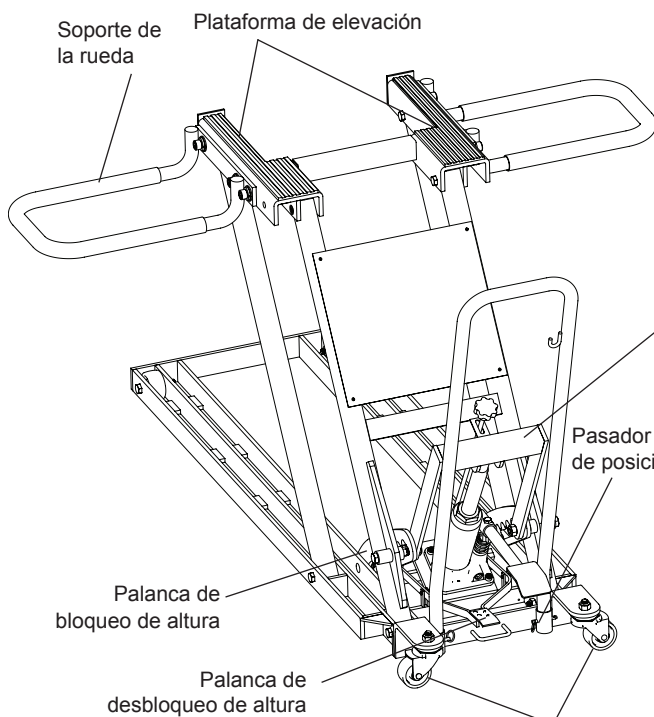
Se recomienda realizar una inspección anual a cargo de personal calificado. El fabricante podrá proporcionarle las etiquetas y los manuales del operador (consulte la sección Piezas de repuesto, páginas 22 & 23).

DESCRIPCIÓN DEL PRODUCTO

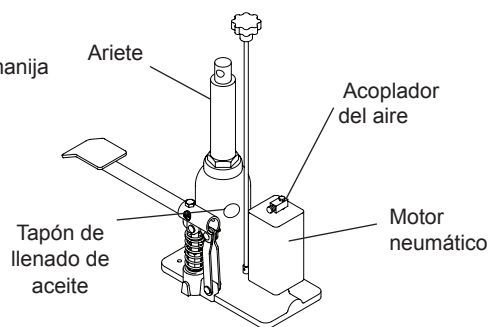
La elevadora para podadoras de Pro-Lift está diseñada específicamente para levantar y soportar el máximo de cargas de capacidad nominal, lo que consiste en un solo tractor podadora cuya estructura es compatible con la plataforma de elevación. La incompatibilidad es evidente si la podadora cargada se tambalea, parece inestable o no se asienta de manera segura en la plataforma de elevación. Este producto NO es apto para levantar, nivelar ni ubicar automóviles, camiones, vehículos todo terreno o vehículos de transporte que no sean los enumerados y aprobados específicamente en la sección anterior. Este producto NO es apto para levantar, nivelar ni colocar casas, remolques de construcción ni viviendas en general. Este producto no contiene dispositivos independientes para levantar cargas, pero está diseñado para ensamblarse en forma permanente. La unidad hidráulica no puede usarse en forma independiente de la elevadora.

ESPECIFICACIONES

Tamaño de la base (L x P)	Superficie de la elevadora	Capacidad	Vía de rueda compatible	Altura mín.	Altura máx.
53-1/2" X 17" (134 cm X 43,2 cm)	Plataforma	750 lb (340,2 kg)	N/D	4-1/2" (11,4 cm)	31" (78,7 cm)
	Soporte de la rueda	500 lb (226,8 kg)	Extensión externa de 55-1/2" (141 cm)	27" (68,6 cm)	



Unidad hidráulica manual



Unidad hidráulica operada por aire

Figura 1: nomenclatura de los modelos T-5500/T-5501

PREPARACIÓN (ref. fig. 1)

1. Antes de usar este producto, lea todo el manual del operador; procure familiarizarse en forma completa con el producto y sus componentes, y reconocer los peligros asociados a su uso.
2. Verifique que el producto y la aplicación sean compatibles; si tiene dudas, llame a Atención al Cliente al (888) 332-6419.
3. Para familiarizarse con el funcionamiento básico, ubique la unidad hidráulica en posición vertical y a nivel, y gire la perilla de liberación:
 - a. A la derecha hasta que sienta una resistencia firme para continuar girando. Esta es la posición 'CERRADO' de la válvula de liberación que se usa para **elegvar** el pistón del ariete.
 - b. A la izquierda, pero no más de 1/2 giro con respecto a la posición de cerrado. Esta es la posición 'ABIERTO' de la válvula de liberación que se usa para **bajar** el pistón del ariete.

⚠ ADVERTENCIA

- Estudie, comprenda y siga todas las instrucciones antes de poner en funcionamiento este dispositivo.
- El uso de este producto se limita a levantar, descender y sostener cargas compuestas por un solo tractor podadora cuyos puntos de elevación son compatibles con la plataforma de elevación. La incompatibilidad es evidente si la podadora se tambalea, parece inestable o no encaja de manera segura en la plataforma de elevación.
- No exceda la capacidad establecida.
- Utilícelo únicamente sobre superficies duras y uniformes capaces de soportar la carga.
- Centre la carga en la plataforma de elevación.
- Al elevar la podadora, centre la vía entre las bases de las ruedas.
- Inmediatamente después de elevar la carga, asegúrese de que la palanca de bloqueo de altura esté enganchada.
- Accione el mecanismo de bloqueo de la ruedecilla antes de trabajar con la elevadora cargada o cerca de ella. No mueva ni deslice la carga que está apoyada en este dispositivo.
- Contener con ataduras una carga incompatible no hará que sea segura y podría provocar una pérdida inesperada de la carga.
- Nunca trabaje sobre, alrededor o debajo de una carga que no esté segura y estable.
- El operador y el transeúnte deben mantener las manos, la cabeza y los pies lejos de los brazos de la elevadora cuando esta esté ascendiendo o descendiendo.
- No deben hacerse modificaciones a este producto.
- Si no se respeta esta advertencia, podrían producirse lesiones personales o daños a la propiedad.

4. Una vez que el ariete se haya contraído por completo y la válvula de liberación esté cerrada, bombee el pedal de la elevadora. Si el ariete responde de inmediato, el gato de botella está listo para ser usado. De lo contrario, siga el procedimiento de la sección **Purgado/descarga del aire atrapado**, pág. 20. Asegúrese de que el nivel de aceite esté justo por debajo del orificio de llenado de aceite.
5. Para el modelo T-5501: vierta una cucharadita de lubricante para herramientas de aire de buena calidad en la entrada de suministro de aire de la válvula de control de elevación. Conecte al suministro de aire y hágalo funcionar durante 3 segundos para distribuir el lubricante de manera uniforme.

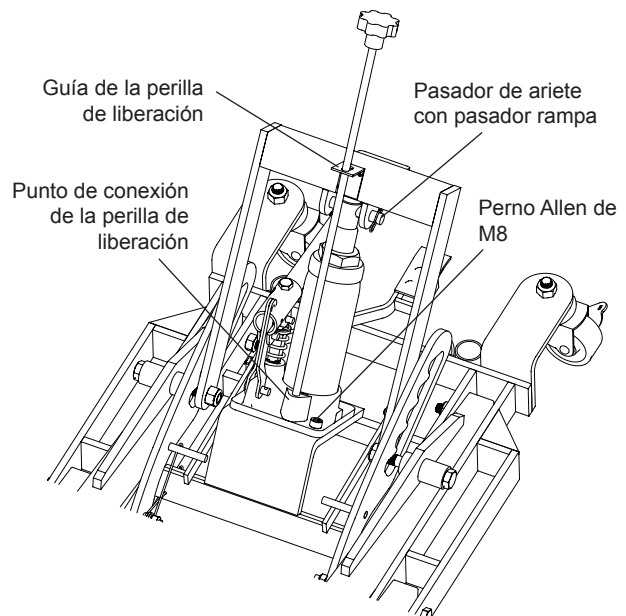


Figura 2: conjunto de la unidad hidráulica

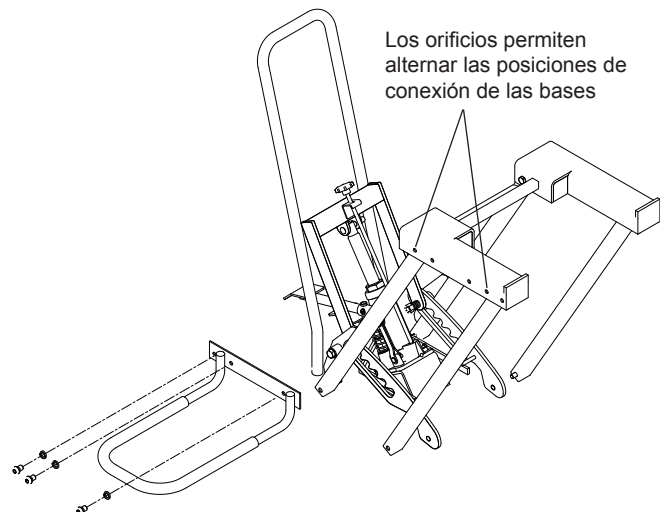


Figura 3: conjunto de la base de la rueda

PREPARACIÓN (continuación)

AVISO: El modelo T-5501 está equipado con un acoplador de aire de 1/4" (0,6 cm) NPT. Si instala un acoplador de aire diferente, asegúrese de usar cinta o compuesto aislante para la reparación de las conexiones. Se recomienda el uso de un secador de aire y engrasador en línea para asegurar el funcionamiento fiable y libre de problemas.

6. El mecanismo de la bomba debe funcionar sin dificultades antes de poner el gato en servicio. Reemplace las piezas y los conjuntos desgastados o dañados solo con piezas de repuesto autorizadas de Pro-Lift.

Purgado/descarga del aire atrapado

Cuando la perilla de liberación esté ABIERTA (paso 3b, pág. 19) y el ariete haya descendido por completo, ubique y retire el tornillo de llenado de aceite. A medida que se retira el tornillo, es posible que se escuche el aire presurizado que sale del depósito.

⚠ PRECAUCIÓN: Es posible que el depósito se encuentre bajo presión y que se expulse aceite hidráulico.

Esto significa que el aire atrapado se ha retirado correctamente del sistema. Con el pedal de elevación en el manguito, bombee de 6 a 8 recorridos completos. Esto ayudará a liberar el aire presurizado que aún pudiera estar atrapado dentro del depósito. El aceite debe estar a nivel con la parte inferior del orificio de llenado de aceite. Vuelva a colocar el tapón/tornillo de llenado de aceite.

ENSAMBLAJE

1. Coloque la unidad hidráulica en el receptor y fíjela con los pernos de M8 x 1,25 provistos (ref. figura 2).
2. Inserte el pasador de ariete a través del ariete y los soportes del ariete en el conjunto de la cruceta; luego, coloque el pasador rampa.
3. Inserte la perilla de liberación a través de la guía de la perilla de liberación y fíjela a la unidad hidráulica con el tornillo y la tuerca provistos.
4. Inserte el pedal de la elevadora en el manguito y fíjelo con el perno provisto.
5. Instale la manija de posición en el bastidor y fíjela con los pasadores provistos (2).
6. Coloque dos soportes de la rueda en los lados de la plataforma de elevación (ref. figura 3).
7. Luego del ensamblaje, asegúrese de que la elevadora ascienda, descienda y se bloquee, y que la bomba funcione sin dificultades antes de ponerla en servicio. Antes de cargar la elevadora, familiarícese con el modo de funcionamiento de la palanca de bloqueo de altura, el pedal de la elevadora y la palanca de desbloqueo de altura. Reemplace las piezas y los conjuntos desgastados o dañados solo con piezas de repuesto autorizadas (consulte Piezas de repuesto, pág. 22). Lubrique según se indica en la sección de mantenimiento.

FUNCIONAMIENTO

1. Ajustar las cestas de las ruedas a su posición correcta.
2. Conduzca el cortacésped en las cestas de ruedas.

⚠ ADVERTENCIA: Usar únicamente sobre superficies duras y uniformes capaces de soportar cargas de capacidad nominal.

3. Dejar la transmisión del cortacésped en la válvula de liberación hidráulica neutral y cerrada. Con cuidado, bombee el gato hasta que la segadora alcance la altura deseada. La altura final debe corresponder con los dientes de bloqueo de la palanca de bloqueo de altura.
4. Gire cuidadosamente la válvula de liberación en sentido contrario a las agujas del reloj hasta que la plataforma de elevación acople la palanca de bloqueo de altura y cierre la válvula de liberación girándola completamente hacia la derecha. No trabaje alrededor o bajo carga a menos que la palanca de bloqueo de altura esté correctamente acoplada.
5. Fije la segadora poniendo el freno de estacionamiento, ponga la transmisión en marcha y calce las ruedas.

⚠ PRECAUCIÓN: Despeje el área de herramientas y operarios antes de bajar la carga. Con este dispositivo solo deben utilizarse accesorios y/o adaptadores suministrados por el fabricante.

6. Para bajar la plataforma de elevación, suelte el freno de estacionamiento de la segadora, coloque la transmisión en punto muerto y retire los calzos. Bombee el pedal de elevación varias veces para desenganchar la palanca de bloqueo de altura.

MANTENIMIENTO

Mantenga la elevadora limpia y lubricada. Use un par de gotas de aceite ligero para máquinas en todas las uniones de pivote, según sea necesario. Limpie cuidadosamente el exceso de aceite.

AVISO: Use aceite para gatos hidráulicos de alta calidad. Evite mezclar diferentes tipos de líquidos y NUNCA use líquido de frenos, aceite de turbinas, líquido de transmisión, aceite de motor ni glicerina. El uso de un líquido inadecuado puede provocar fallas en el gato y posibles pérdidas de carga repentinas e inmediatas.

Agregado de aceite

1. Para verificar el nivel de aceite hidráulico, descargue la elevadora, baje completamente la plataforma de elevación y luego retire la unidad hidráulica de la elevadora. Coloque la unidad hidráulica en posición vertical en una superficie estable y pareja. Ubique y retire el tapón de llenado de aceite.
2. Asegúrese de que el aceite esté a nivel con el orificio del tapón de llenado de aceite. Vuelva a colocar el tapón de llenado de aceite, luego instale la unidad hidráulica en el receptor. Fíjela con los pernos provistos.

Cambio de aceite

Para lograr el mejor rendimiento y una vida útil más prolongada, cambie completamente el suministro de líquido hidráulico por lo menos una vez al año.

1. Una vez que la plataforma de elevación haya descendido por completo, retire la unidad hidráulica de la elevadora. Coloque la unidad hidráulica en posición vertical en una superficie estable y pareja. Retire el tapón de llenado de aceite.
2. Coloque la unidad de lado y descargue el líquido hidráulico en un recipiente adecuado.

AVISO: Deseche el líquido hidráulico usado conforme a las reglamentaciones ambientales locales.

3. Al rellenar, asegúrese de que el líquido esté a nivel con el orificio del tapón de llenado de aceite. Vuelva a colocar el tapón de llenado de aceite, luego instale la unidad hidráulica en el receptor.

Lubricación

La lubricación periódica con un aceite liviano en los puntos de giro, los ejes y las bisagras ayudará a evitar la corrosión y garantizará que los conjuntos de las ruedas, las ruedecillas y la bomba se muevan libremente.

Limpieza

Verifique ocasionalmente el pistón y el ariete de la bomba en busca de signos de oxidación o corrosión. Límpielos con un paño con aceite, según sea necesario.

Almacenamiento

Cuando la elevadora no está en uso, la plataforma de elevación debe estar en posición de retracción completa.

LOCALIZACIÓN Y SOLUCIÓN DE PROBLEMAS

Síntoma	Causas posibles	Medidas correctivas
La unidad hidráulica no se eleva.	<ul style="list-style-type: none"> • La válvula de liberación no está herméticamente cerrada. • Hay un estado de sobrecarga. 	<ul style="list-style-type: none"> • Asegúrese de que la válvula de liberación esté herméticamente cerrada. • Reduzca el estado de sobrecarga.
La unidad hidráulica se purga luego de una elevación.	<ul style="list-style-type: none"> • La válvula de liberación no está herméticamente cerrada. • Hay un estado de sobrecarga. 	<ul style="list-style-type: none"> • Asegúrese de que la válvula de liberación esté herméticamente cerrada. • Reduzca el estado de sobrecarga. • Comuníquese con Atención al Cliente.
La plataforma de elevación no baja después de su descarga.	<ul style="list-style-type: none"> • El depósito está lleno en exceso. • Los enlaces están atascados. 	<ul style="list-style-type: none"> • Descargue el líquido hasta el nivel adecuado. • Limpie y lubrique las piezas móviles.
La capacidad de elevación es deficiente.	<ul style="list-style-type: none"> • El nivel de líquido está bajo. • Hay aire atrapado en el sistema. 	<ul style="list-style-type: none"> • Asegúrese de que el nivel de líquido sea el adecuado. • Siga el procedimiento de la sección Purgado/descarga del aire atrapado, pág. 20
La elevadora no se eleva al máximo de su capacidad.	<ul style="list-style-type: none"> • El nivel de líquido está bajo. 	<ul style="list-style-type: none"> • Asegúrese de que el nivel de líquido sea el adecuado.

GARANTÍA LIMITADA DE UN AÑO

Por el período de un (1) año desde la fecha de compra, **SFA Companies** reparará o reemplazará, a su discreción, sin costo alguno, cualquier producto que presente fallas debido a defectos de materiales o mano de obra, o que no cumpla con la garantía implícita no excluida en el presente documento.

El cumplimiento de toda obligación en virtud de esta garantía puede obtenerse con el envío del producto en garantía, con flete abonado en origen, a **SFA Companies** Warranty Service Department, 10939 N. Pomona Ave., Kansas City, MO 64153.

Salvo que tales limitaciones y exclusiones estén específicamente prohibidas por las leyes vigentes, (1) el ÚNICO Y EXCLUSIVO RECURSO DEL CONSUMIDOR SERÁ LA REPARACIÓN O EL REEMPLAZO DE LOS PRODUCTOS DEFECTUOSOS, COMO SE DETALLA ARRIBA; (2) **SFA Companies** NO SERÁ RESPONSABLE, EN NINGÚN CASO, POR DAÑOS O PÉRDIDAS EMERGENTES O INCIDENTALES; y (3) LA DURACIÓN DE TODA GARANTÍA IMPLÍCITA Y EXPLÍCITA, LO QUE INCLUYE, ENTRE OTRAS, LAS GARANTÍAS DE COMERCIALIZACIÓN Y APTITUD PARA FINES ESPECÍFICOS, ESTARÁ LIMITADA A UN PERÍODO DE UN (1) AÑO DESDE LA FECHA DE COMPRA.

Algunos estados no permiten la limitación de la duración de las garantías implícitas, por lo que las limitaciones anteriores pueden no aplicarse en su caso. Algunos estados no permiten excluir o limitar los daños emergentes o incidentales, por lo tanto esta limitación o exclusión puede no ser aplicable en su caso. Esta garantía le otorga derechos legales específicos. Usted puede tener además otros derechos que varían de un estado a otro.

PIEZAS DE REPUESTO

Piezas disponibles: consulte el dibujo de las piezas cuando haga un pedido. No todos los componentes de la elevadora tienen reemplazo, pero se ilustran a modo de referencia práctica de la ubicación y la posición que ocupan en la secuencia del conjunto. Cuando realice el pedido de piezas, indique el número de modelo, el número de serie y la descripción. Para obtener el precio vigente, comuníquese a: SFA Companies, 10939 N. Pomona Ave. Kansas City, MO 64153, EE. UU. Teléfono: 1-888-332-6419 Fax: 1-816-891-6599

PIEZAS DE REPUESTO PARA EL MODELO T-5500

Elem.	N.º de pieza	Descripción	Cant.
1	T-5500-1	Conjunto de la rueda delantera	2
2	T-5500-2	Conjunto de la ruedecilla libre de fijación	2
3	T-5500-3	Conjunto de la unidad hidráulica	1
4	T-5500-4	Pedal de la elevadora	1
5	T-5500-5	Palanca de desbloqueo de altura	1
6	T-5500-6	Manija de posición	1
7	T-5500-7	Resortes de la palanca de bloqueo de altura	2
8	T-5500-8	Soporte de la rueda (izquierdo)	1
9	T-5500-9	Soporte de la rueda (derecho)	1
10	T-5500-10	Almohadillas de la plataforma (goma)	2
11	T-5500-12	Perilla de liberación	1
12	T-5500-11	Kit de ferretería	-
-	T-5500-L0	Etiquetas (no se muestran)	-
-	T-5500-M0	Manual del propietario	-

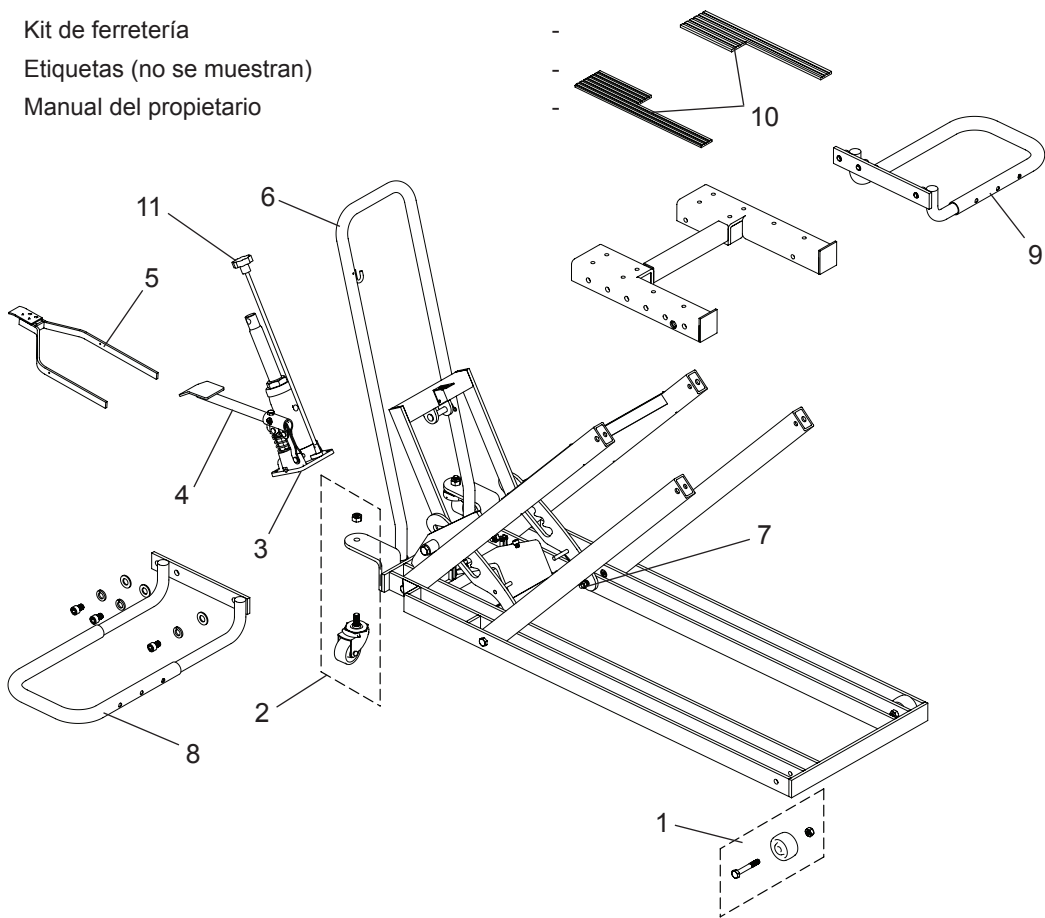


Figura 4: ilustración de piezas de repuesto para el modelo T-5500

Es posible que el T-5500 se haya actualizado a un T-5501 operado por aire mediante la compra y la instalación del Kit T-5500UPG

PIEZAS DE REPUESTO PARA EL MODELO T-5501

Elem.	N.º de pieza	Descripción	Cant.
1	T-5500-1	Conjunto de la rueda delantera	2
2	T-5500-2	Conjunto de la ruedecilla libre de fijación	2
3	T-5501-3	Conjunto de la unidad hidráulica (no se incluyen los artículos 4, 11 y 12)	1
4	T-5500-4	Pedal de la elevadora	1
5	T-5500-5	Palanca de desbloqueo de altura	1
6	T-5500-6	Manija de posición	1
7	T-5500-7	Resortes de la palanca de bloqueo de altura	2
8	T-5500-8	Soporte de la rueda (izquierdo)	1
9	T-5500-9	Soporte de la rueda (derecho)	1
10	T-5500-10	Almohadillas de la plataforma (goma)	2
11	T-5500-12	Perilla de liberación	1
12	T-5501-13	Manguera de aire	1
13	T-5501-14	Motor neumático	1
14	T-5500-11	Kit de ferretería	-
-	T-5500-L0	Etiquetas (no se muestran)	-
-	T-5500-M0	Manual del propietario	-

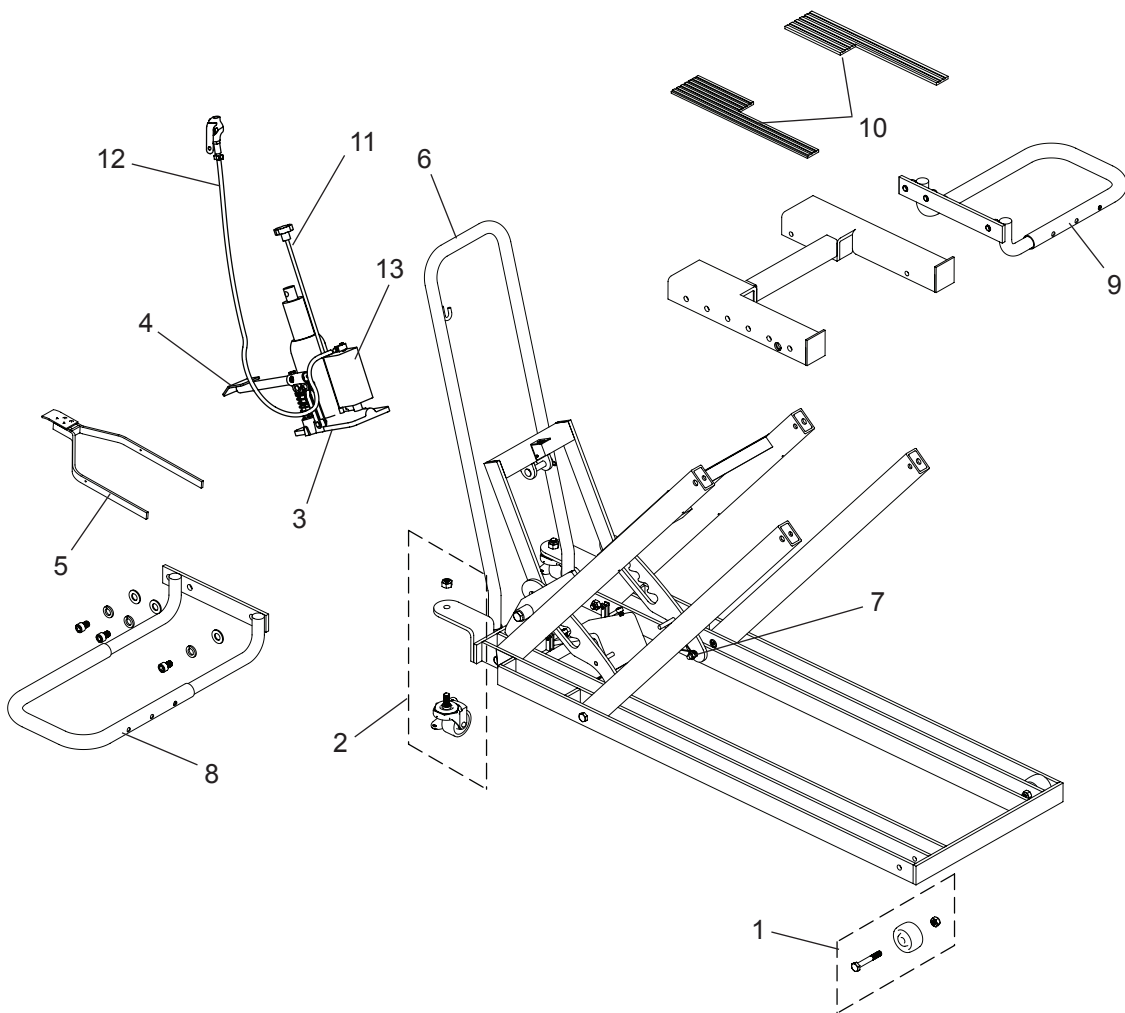


Figura 5: ilustración de piezas de repuesto para el modelo T-5501



SFA Companies
10939 N. Pomona Ave. Kansas City, MO 64153, U.S.A.
Tel.: (888) 332-6419 Fax: (816) 891-6599