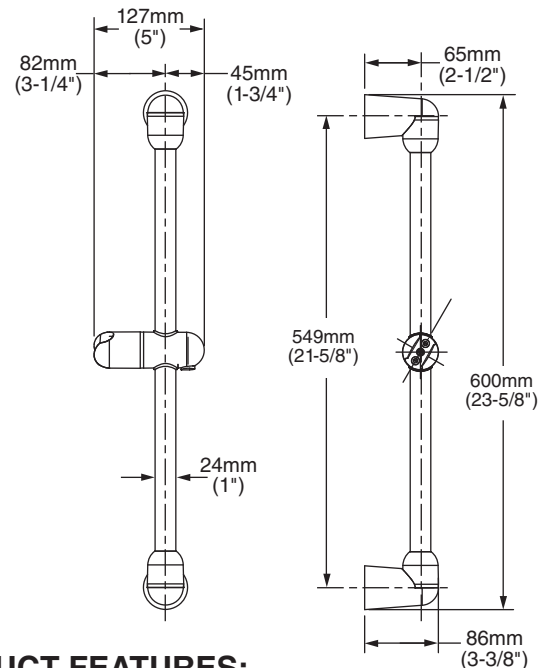
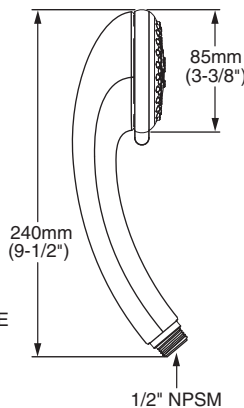
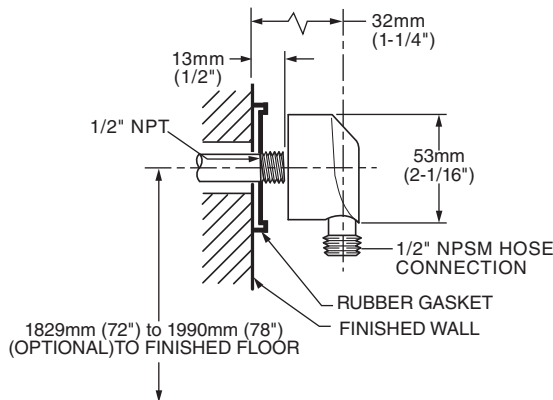


**MODEL NUMBER:**

☐ **1662.604 Shower System Kit**

Includes:

- Water Saving Soft Hand Shower 1660.502
- Hose 8888.035
- Wall Supply 8888.037
- Standard Slide Bar 1660.225



**GENERAL DESCRIPTION:**

Complete shower system kit includes: a wall supply with 1/2" NPT female inlet, 1/2" NPSM male outlet; a 59" (1500mm) shower hose; a "Soft" water saving hand shower; and a 25" Standard Slide Bar. Hand shower adjusts from a conventional spray to a gentle aerated flow. Spray pattern can be changed with the flick of the thumb. 1.5 gpm/5.7L/min. flow restrictor. Adjustable shower holder can be set at any height or position along the bar and angle up to 45°. Kit includes double check valves to prevent cross flow of hot and cold water.

**PRODUCT FEATURES:**

**HAND SHOWER**

**Water Saving:** Saves up to 40% in water usage.

**Lightweight, Ergonomic Design:** For a sure grip even with wet, soapy hands.

**Simple Spray Pattern Adjustment:** Spray patterns can be changed with a flick of the thumb. A true one-handed operation.

**Variety of Spray Patterns:** Allows the user to select the type of spray best suited to their needs.

**SLIDE BAR**

**Simple Height Adjustment:** Allows positioning of the personal shower anywhere along the bar.

**SELECTION OF FINISHES**

**Available Finishes:** Wide range of durable finishes.

**SUGGESTED SPECIFICATION:**

Shower system shall feature a wall supply with 1/2" NPT female inlets, 1/2" NPSM male outlet, 59" hose, hand shower and a 25" Standard Slide Bar. Hand shower shall be ergonomically designed for a positive grip even when wet. Spray pattern adjustment shall be performed with simple movement of thumb without need to change grip on handle. Hand shower shall save a minimum of 40% in water usage. Kit shall include double check valves to prevent cross flow of hot and cold water. Fitting shall be American Standard Model # 1662.604. \_\_\_\_\_.



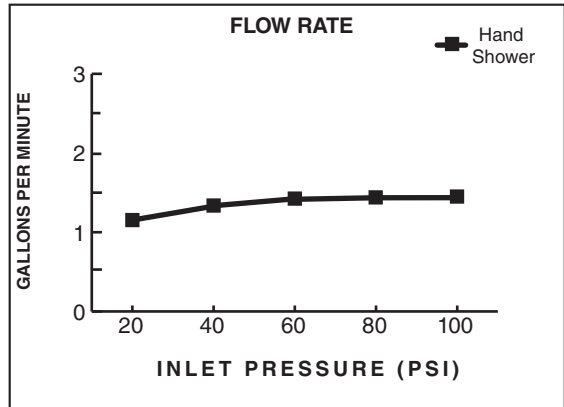
# SHOWER SYSTEMS

## WATER SAVING SHOWER SYSTEM KIT

### CODES AND STANDARDS

Install as required to comply with local code requirements.

ASME A112.18.1  
CSA 125



Product Number	Description	Finish Options	
		Polished Chrome	PVD Satin Nickel
1662.604	Shower System Kit. Contains Water Saving "Soft" hand shower, hose, wall supply and Deluxe Slide Bar.	002	295