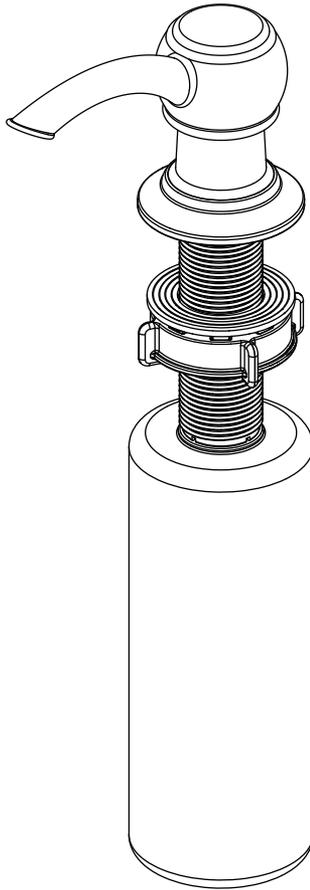


Model#
RP90103

OMSID#
206126180

INSTALLATION AND CARE GUIDE

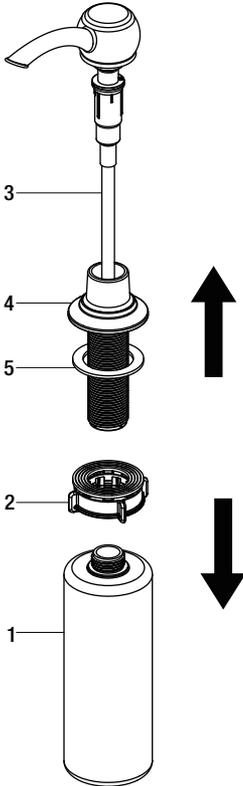
SOAP DISPENSER



Installation

1 Preparing for installation

- Remove the soap bottle (1) and soap dispenser mounting nut (2). Separate the soap pump (3) from the soap assembly shank (4). Do not lose the washer (5).



2 Installing the soap assembly shank

- Ensure the washer (1) is bottom the soap assembly shank (2).
- Insert the soap assembly shank (2) through the selected hole in the sink.
- Secure the soap assembly shank (2) to the sink with the soap dispenser mounting nut (3) provided. Push up the soap dispenser mounting nut (3) to sink and hand-turn to tighten, as shown in the Fig 1.

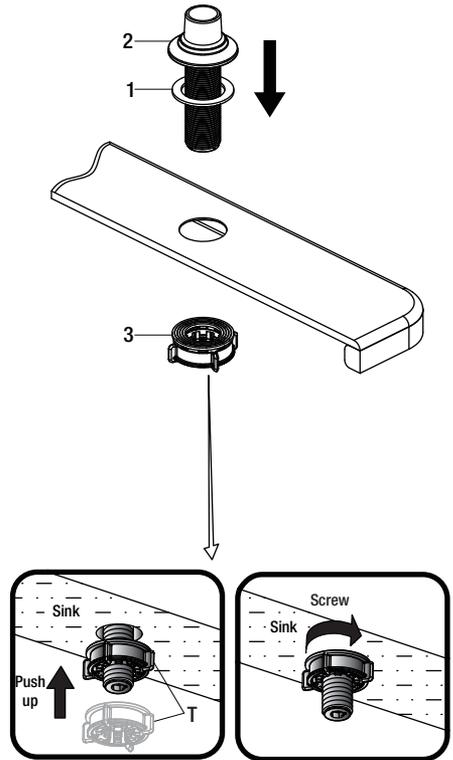
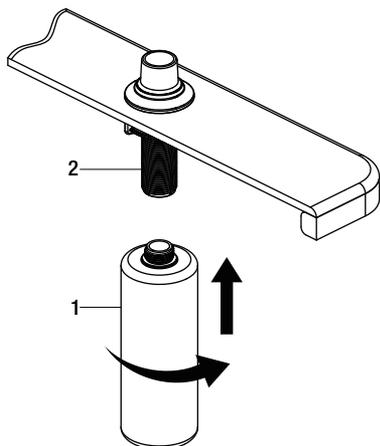


Fig 1

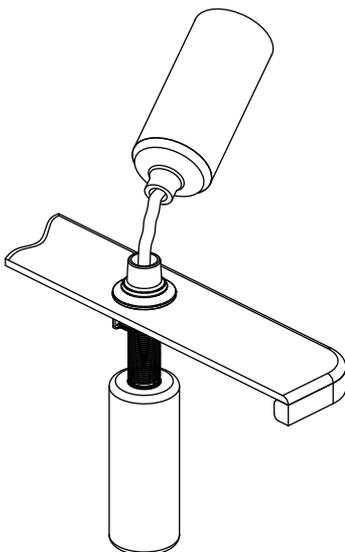
3 Installing the soap bottle

- From under the sink, screw the soap bottle (1) onto the soap assembly shank (2).



4 Pouring in the soap

- Pour in the soap (not included) into the shank orifice.



5 Installing the soap pump

- Insert the soap pump (1) down into the soap assembly shank (2).

