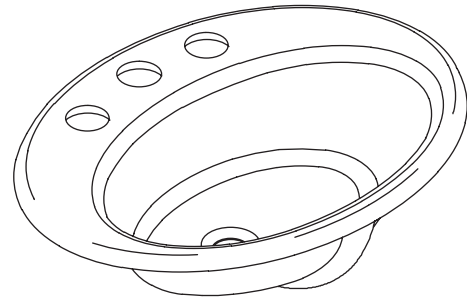


Features

- KOHLER cast iron
- Undercounter
- Oversized faucet holes to accommodate single-hole centermount or centerset faucet
- Oversized faucet holes to accommodate single-hole centermount or widespread faucet
- 4" (10.2 cm) centers or 8" (20.3 cm) centers
- 18-1/4" (46.4 cm) x 11" (27.9 cm)

UNDERCOUNTER LAVATORY K-2907-U

ADA



Codes/Standards Applicable

Specified model meets or exceeds the following:

- ADA
- ASME A112.19.1
- IAPMO/UPC
- ICC/ANSI A117.1
- CSA B45

Colors/Finishes

- 0: White
- Other: Refer to Price Book for additional colors/finishes

Accessories

- CP: Polished Chrome

Specified Model

Model	Description	Colors/Finishes	
K-2907-8U	Undercounter lavatory with 8" (20.3 cm) centers	<input type="checkbox"/> 0	<input type="checkbox"/> Other _____
K-2907-4U	Undercounter lavatory with 4" (10.2 cm) centers	<input type="checkbox"/> 0	<input type="checkbox"/> Other _____
Recommended Accessories			
K-8998	P-Trap		<input type="checkbox"/> CP

Product Specification

The undercounter lavatory shall be made of cast iron. Lavatory shall have 4" (10.2 cm) centers or 8" (20.3 cm) centers. Lavatory shall have oversized faucet holes to accommodate single-hole centermount, centerset, or widespread faucet. Lavatory shall be 18-1/4" (46.4 cm) in length and 11" (27.9 cm) in width. Lavatory shall be Kohler Model K-2907-U _____-_____.

THOREAU™

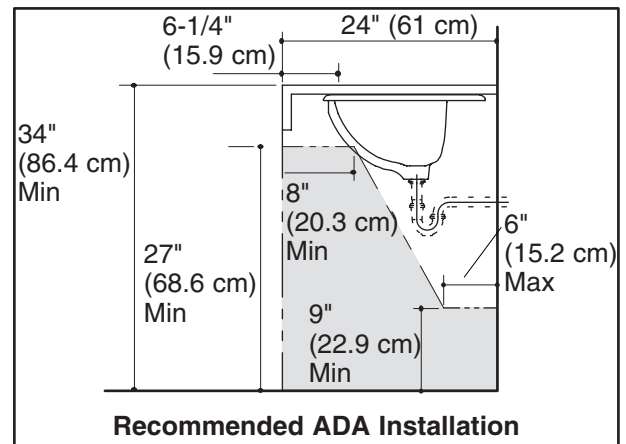
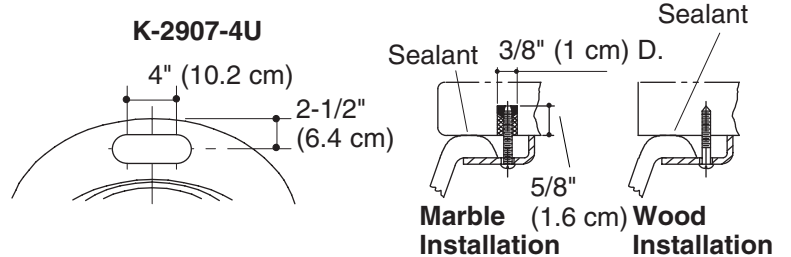
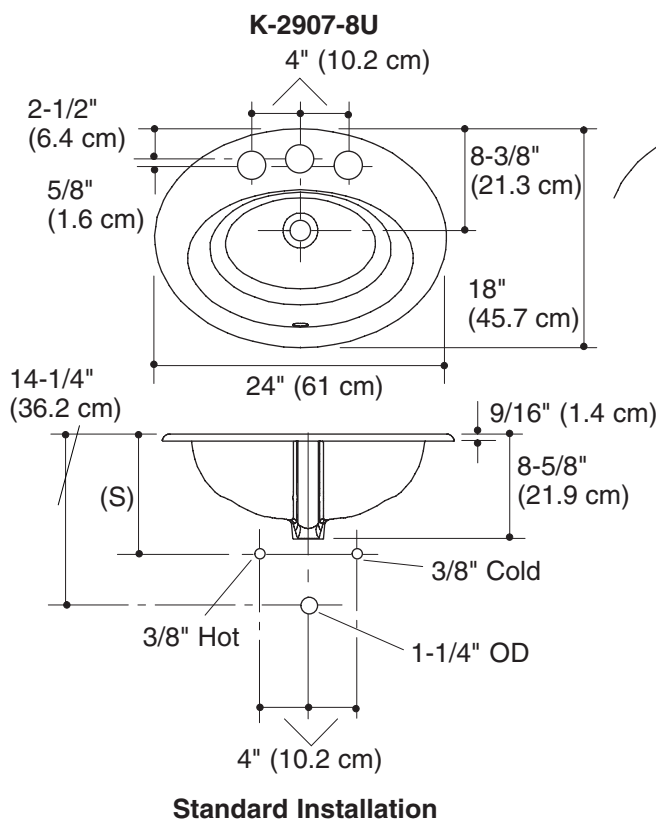
Technical Information

Fixture*:	
Basin area	18-1/4" (46.4 cm) x 11" (27.9 cm)
Water depth	4-3/4" (12.1 cm)
Drain hole	1-11/16" (4.3 cm) D.
* Approximate measurements for comparison only.	

Included components:	
Basin clamp assembly	52047
Overflow ferrule	84896
Cut-out template	114635-7

Installation Notes

Install this product according to the installation guide.



(S)	K-2907-4U	K-2907-8U
	10" (25.4 cm)	14" (35.6 cm)

Product Diagram