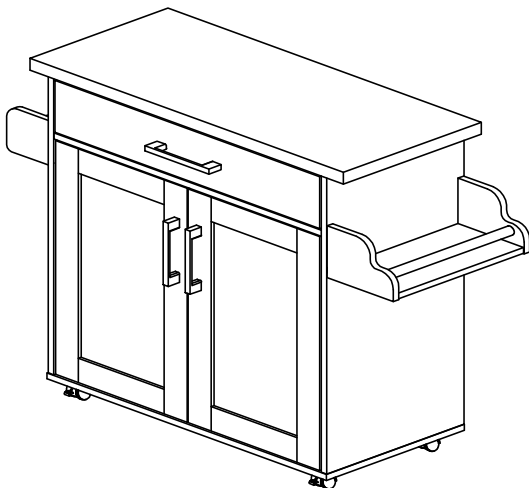
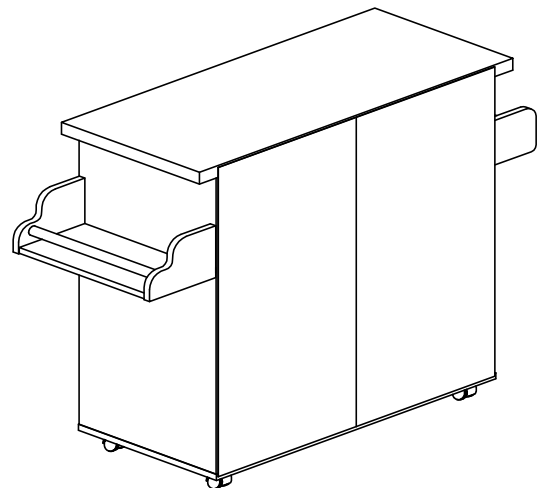


ASSEMBLY INSTRUCTIONS HIK 78 (KITCHEN TROLLEY)

- ~ Before assembly, please read the instructions ~ ~ Follow these steps to assemble the Kitchen Trolley ~
~ Keep these instructions for future reference ~



FRONT VIEW



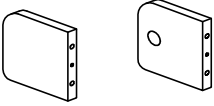
REAR VIEW



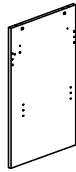
THIS INSTRUCTION BOOKLET CONTAINS IMPORTANT INFORMATION ABOUT ASSEMBLY AND SAFETY. PLEASE READ AND KEEP FOR FUTURE REFERENCE.

Parts

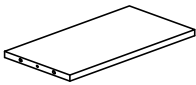
1 SMALL SIDE (L/R)
120 x 120 x 15



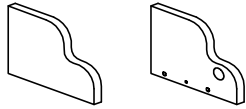
2 SIDE PANEL (L)
800 x 394 x 15



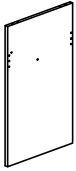
3 BOX BOTTOM PANEL
360 x 188 x 15



4 BOX SIDE (L/R)
190 x 140 x 15



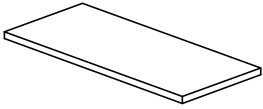
5 SIDE PANEL (R)
800 x 394 x 15



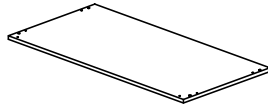
6 MIDDLE SUPPORT
768 x 76 x 15



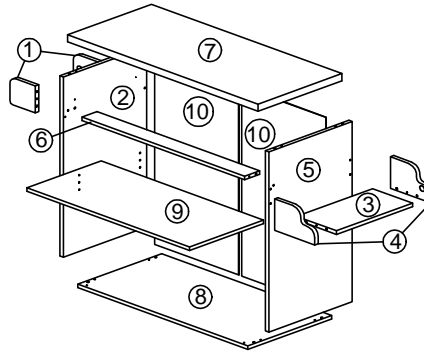
7 TOP PANEL
900 x 396 x 30



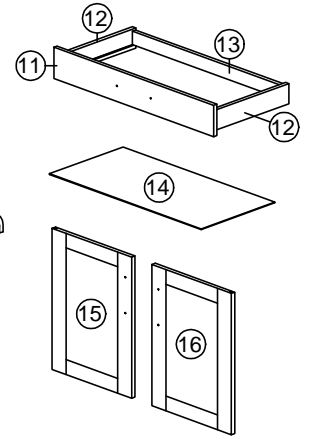
8 BOTTOM PANEL
802 x 396 x 15



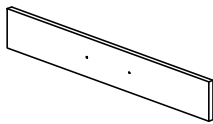
I) Main Unit :



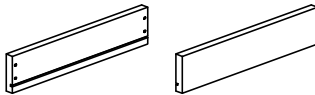
II) Door & Drawer :



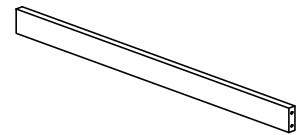
11 DRAWER HEAD
760 x 140 x 15



12 DRAWER SIDE (L/R)
350 x 90 x 15

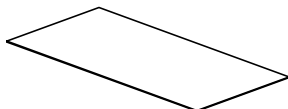


13 DRAWER FRONT & BACK
712 x 60 x 15

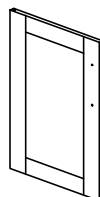


x2

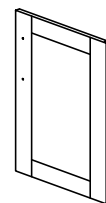
14 DRAWER PANEL
722 x 350 x 2.5












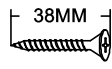
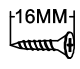

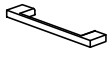
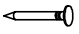
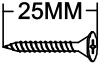


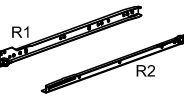
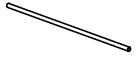
15 DOOR PANEL (L)
629 x 378 x 15



16 DOOR PANEL (R)
629 x 378 x 15



Hardware And Accessories

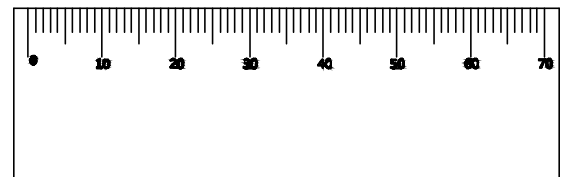
<p>(A) Minifix 5654+5546 4 sets</p> 	<p>(B) Minifix Cap 4 pcs</p> 	<p>(C) Wood Dowel 8x25mm 22 pcs</p> 	<p>(D) CSK M6x50MM 13 pcs</p> 	<p>(E) CSK CAP 13 pcs</p> 	<p>(F) 3.5KG Magnet (1 Hole) 2 sets</p> 
<p>(G) CB Screw M3 x 12MM 2 pcs</p> 	<p>(H) Door Support Spring 4 pcs</p> 	<p>(I) Shelf Support 4 pcs</p> 	<p>(J) CB Screw M4 x 38MM 10 pcs</p> 	<p>(K) CB Screw M3.5 x 16MM 28 pcs</p> 	<p>(L) L Key 1 pc</p> 
<p>(M) Handle 108 3 pcs</p> 	<p>(N) Nail 5/8 32 pcs</p> 	<p>(O) CB Screw M4 x 25MM 4 PCS</p> 	<p>(P) Caster With Stopper - Lock 2 pcs</p> 	<p>(Q) Caster With Stopper 2 pcs</p> 	<p>(R) Drawer Slide " 14 1 sets</p> 
<p>(S) Chrome Pipe 2 pcs</p> 					



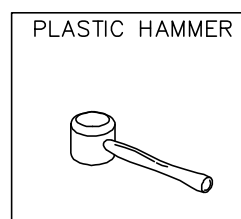
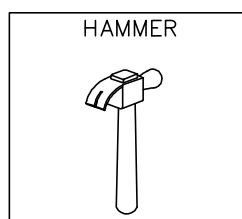
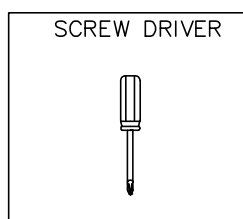
IMPORTANT

Check the measure of the bolts on the scale below or with a measuring tape before applying them in the parts

Observe correctly the application and the position of each bolt accessory, as the step-by-step instructions, before applying them in the parts.



Required Or Recommended Tools



IMPORTANT!

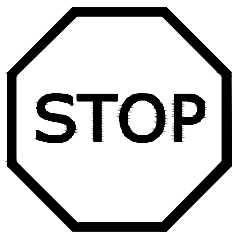
The required or recommended tools for assembly are not supplied with the product



Hodedah

www.hodedah.com
support@hodedah.com

- This product contains small components, please ensure that they are kept away from small children.
- THIS INSTRUCTION BOOKLET CONTAINS **IMPORTANT SAFETY INFORMATION**.PLEASE READ AND KEEP FOR FUTURE REFERENCE.



DO NOT RETURN PRODUCT TO THE STORE.

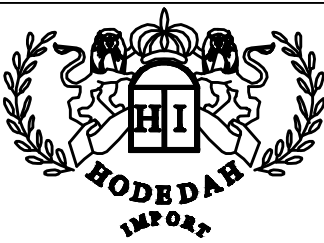
If a part is missing or damaged, email our customer service. We will gladly ship your replacement parts **FREE** of charge.

Need Parts or Assistance?

email us at

support@hodedah.com

For prompt, reliable service; please have your assembly manual ready.



Hodedah

www.hodedah.com
support@hodedah.com

Thank you for purchasing from Hodedah

**To learn more about hodedah and our products visit
www.hodedah.com**

READ BEFORE BEGINNING ASSEMBLY

- Read each step carefully. It is very important that each step of instruction is performed in the correct order. If these steps are not followed in sequence, assembly difficulties will occur.
- Make sure all parts are included. Most parts are labelled or stamped on the raw edge.
- Work in spacious area, preferably on a carpet, near the place the unit will be used.
- Do not use power tools to assemble your furniture. Power tools may strip or damage the parts.

HELPFUL HINTS

- Call us if you need assistance.
- Move your new furniture carefully, with two people lift and carry the unit to it's new location.
- Never push, drag or pull your furniture (especially on carpet).

Warranty Information

Hodedah warrants this product to be free from defects in material and workmanship agrees to remedy any such defect. This warranty covers one year from the date of original purchase. This is solely limited to be repair or replacement of defective parts and no assembly labor is included.

This warranty does not apply to any product which has been improperly assembled, subjected to misuse or abuse or which has been altered or repaired in any way.

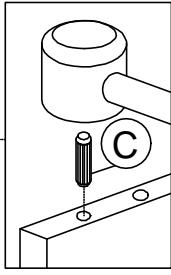
To obtain warranty service, purchaser must present original bill of sale. Components repaired or replaced warranted through the remainder of the original warranty period only. The defective components will be repaired or replaced without charge, subject to the terms and conditions described above.

For help with assembly, identifying parts, product information or to order parts, please contact us:

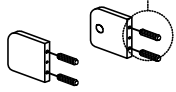
Call us at:
718-456-0505
Monday-Friday
9:00am-5:00pm

Visit our website:
www.hodedah.com

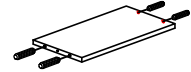
Pre - Assembly



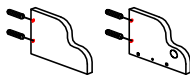
Insert Wood Dowels (C) in panel (1,2,3,4,5,6) Using Hammer to gently tap them in.



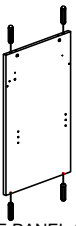
① SMALL SIDE (L/R)



③ BOX BOTTOM PANEL



④ BOX SIDE (L/R)



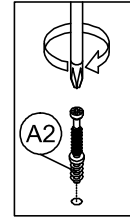
② SIDE PANEL (L)



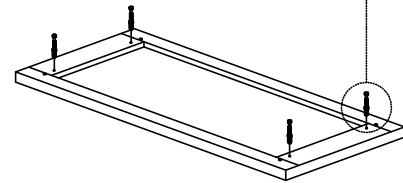
⑤ SIDE PANEL (R)



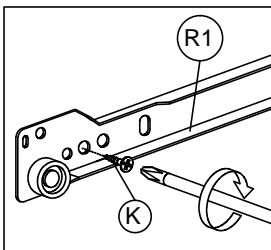
⑥ MIDDLE SUPPORT



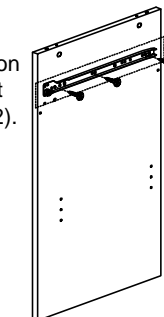
Tighten minifix (A2) to panel (7).



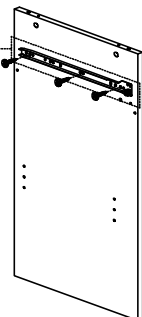
⑦ TOP PANEL
BOTTOM VIEW



Place the drawer slide on to 3 hole area shown at Left Down side panel (2). Then tighten it with 3 screws (k).

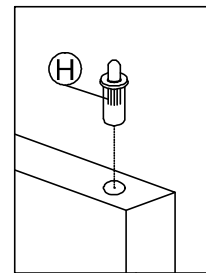


② SIDE PANEL (L)
R VIEW

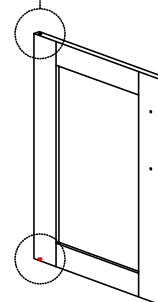


⑤ SIDE PANEL (R)
L VIEW

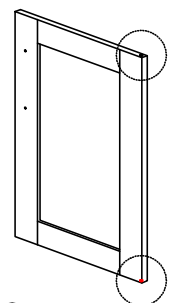
Place the drawer slide on to 3 hole area shown at Left Down side panel (5). Then tighten it with 3 screws (k).



Insert door spring support (H) to door panel (15) and (16).



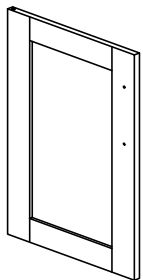
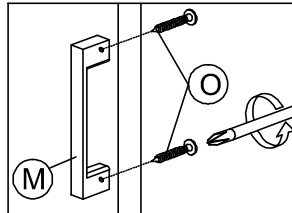
⑮ DOOR PANEL (L)



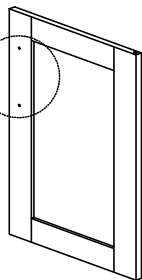
⑯ DOOR PANEL (R)

Pre - Assembly

Tighten 2 Screws (O) from Door Panel (15 & 16) into the handle (M) hole.

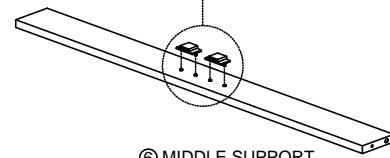
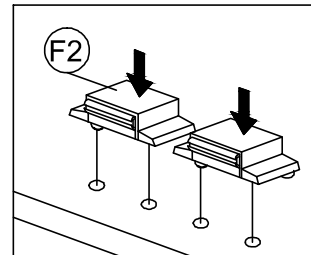


⑮ DOOR PANEL (L)



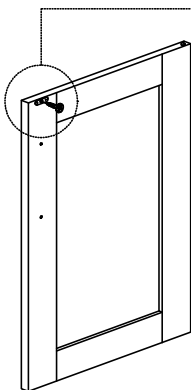
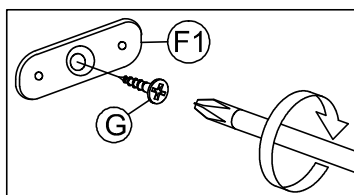
⑯ DOOR PANEL (R)

Insert magnet (F2) onto panel (6) 's non-thru holes as shown, make sure the magnets, iron side facing forward to edging direction.

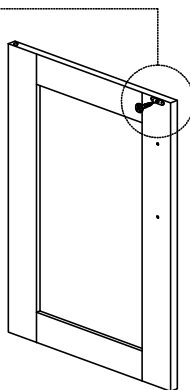


⑥ MIDDLE SUPPORT
BOTTOM VIEW

Fix and tighten metal piece (F1) with screw (G) at door panel (15 & 16) as shown.

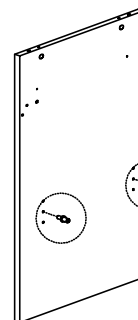
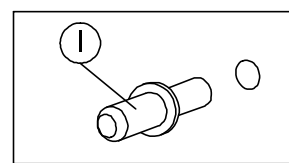


⑮ DOOR PANEL (L)
R VIEW

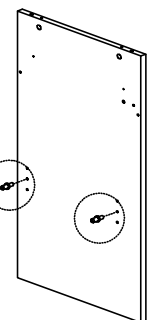


⑯ DOOR PANEL (R)
L VIEW

Insert 2 Shelf Support (I) on Panel 2 & 5.

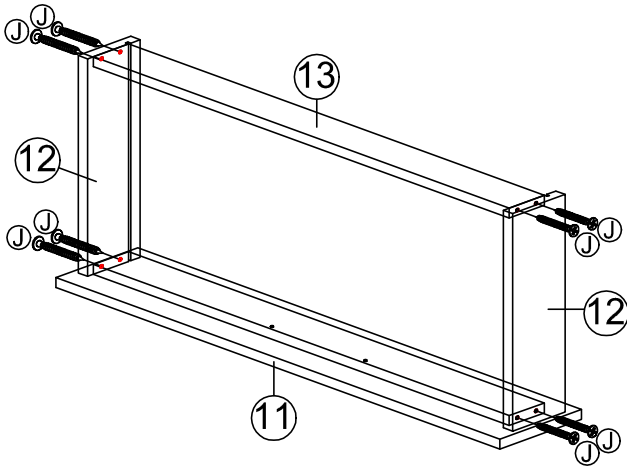


② SIDE PANEL (L)
R VIEW



⑤ SIDE PANEL (R)
L VIEW

(1) Pre - Assembly

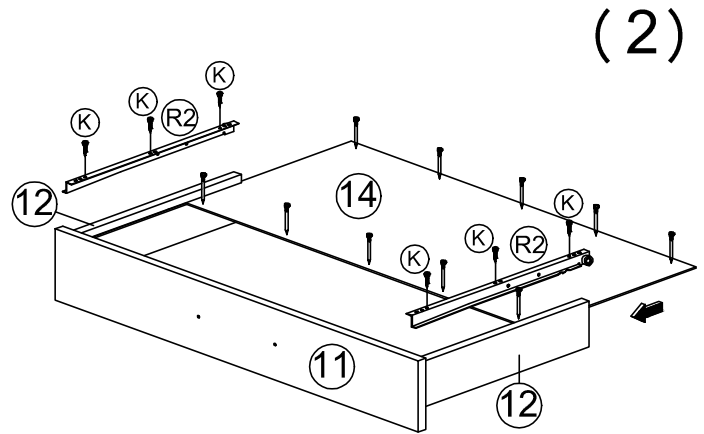


DRAWER 11

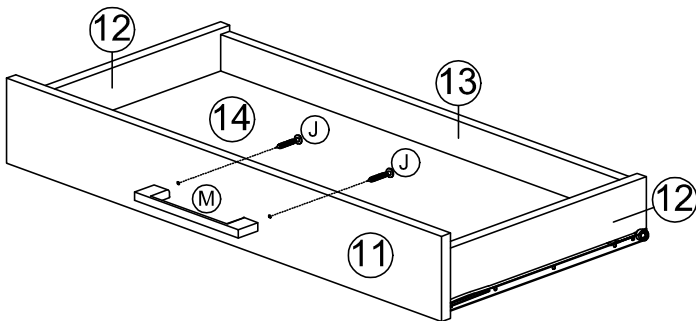
- Place 2 panel 12 on each side of panel as shown
- Then tighten screw (J) to panel 13 lower thru holes to fix them onto panel 12
- Holes to fix up to the panel 11

- Flip drawer with bottom side up, place panel 12 onto the drawer and align properly. Then slot in the back panel 14 into the side panel 12, then nail the nails provided with hammer on the drawer back panel 14 up side. The gap between 2 nails is about 175mm.

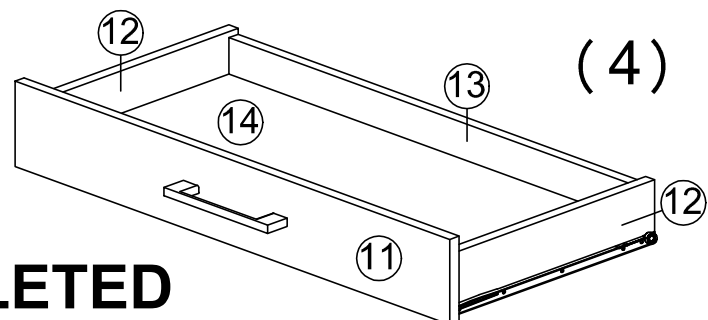
- After that, place a drawer slide R2 with the small white roller facing outward and with other end tip touching panel 12 onto each bottom side (angle) edge. Then tighten 3 screws (K) on each drawer slide R2 (as shown).



(3)



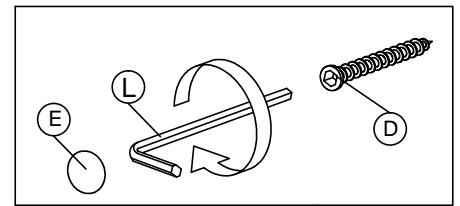
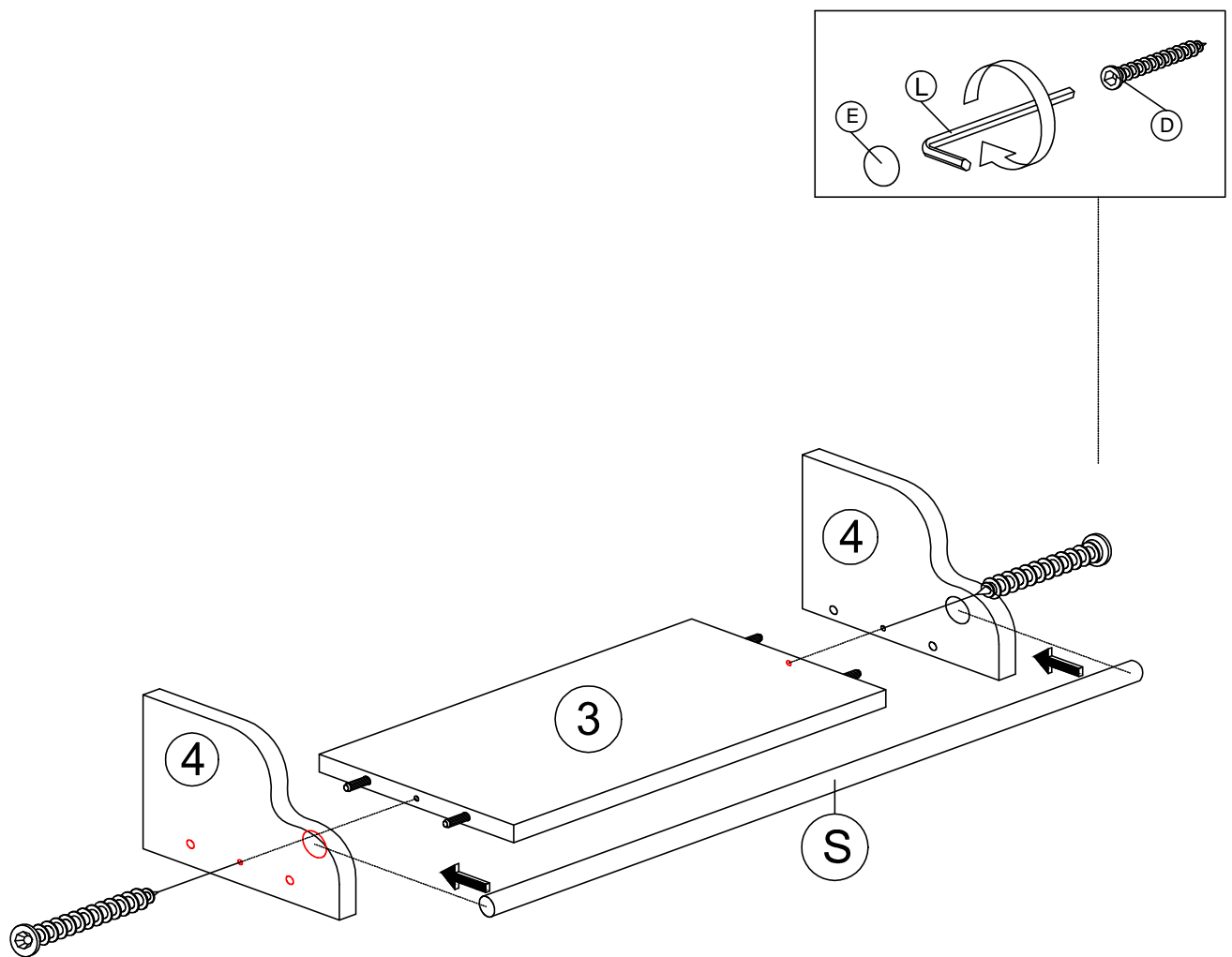
- Tighten 2 screw (J) from inner side of panel 11 into the handle (M) holes.

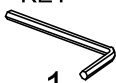

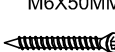



COMPLETED

Assembly Instruction Step 1

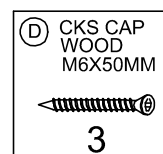
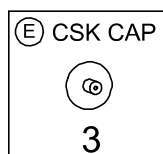
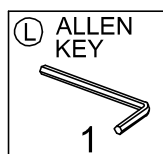
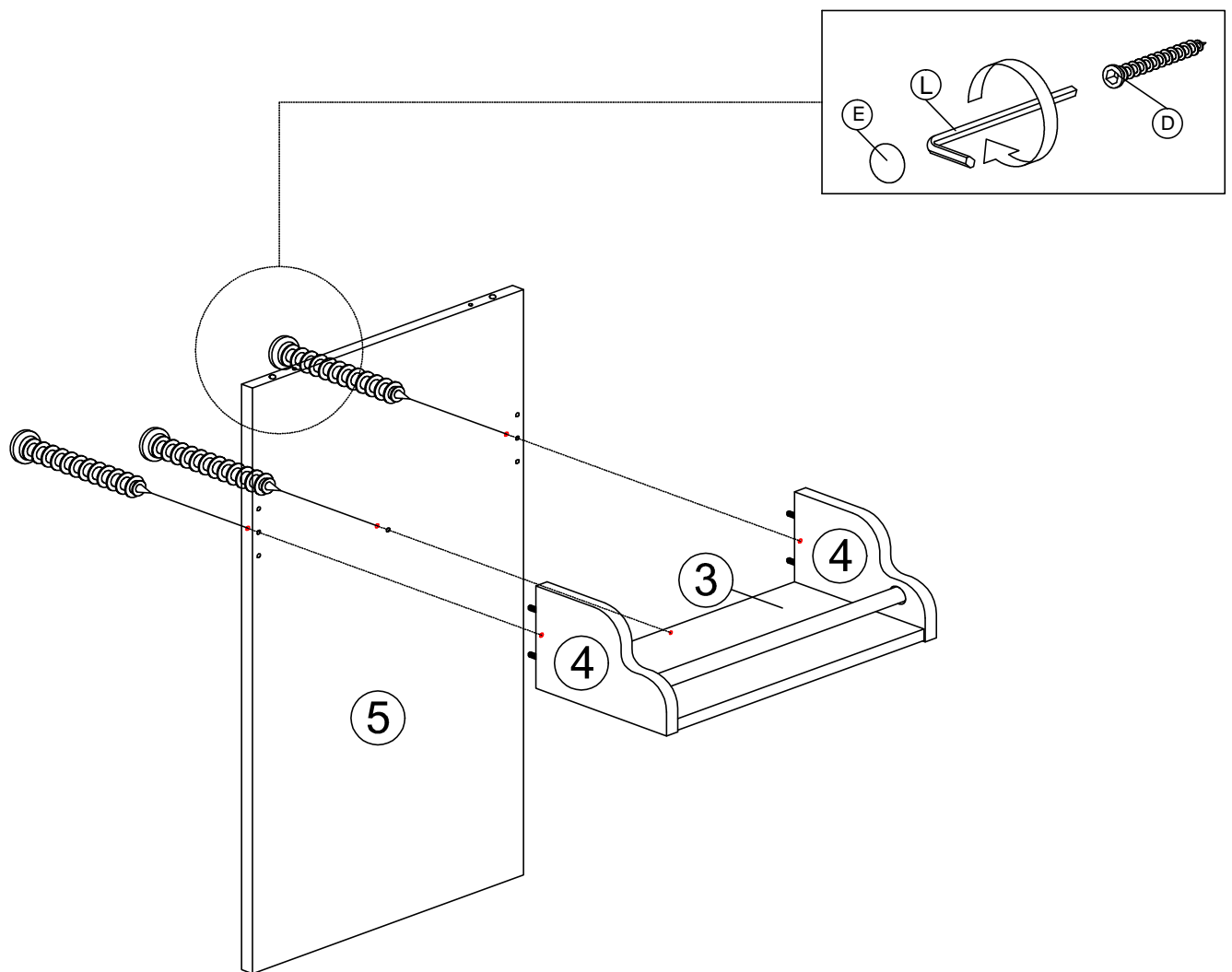
Put in the chrome pipe (S) to panel (4) then fix onto panel (3) by inserting dowels (C) onto non-thru at panel (3) use allen key (L) to tighten screws (D) from the thru-holes of panel (4) after that insert CSK CAP (E).



<p>(L) ALLEN KEY</p>  <p>1</p>	<p>(E) CSK CAP</p>  <p>2</p>	<p>(D) CSK CAP WOOD M6X50MM</p>  <p>2</p>	<p>(S) Chrome Pipe</p>  <p>1</p>
---	---	---	---

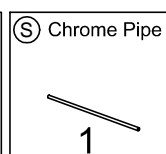
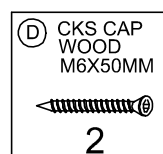
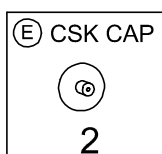
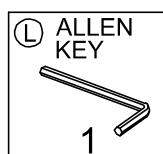
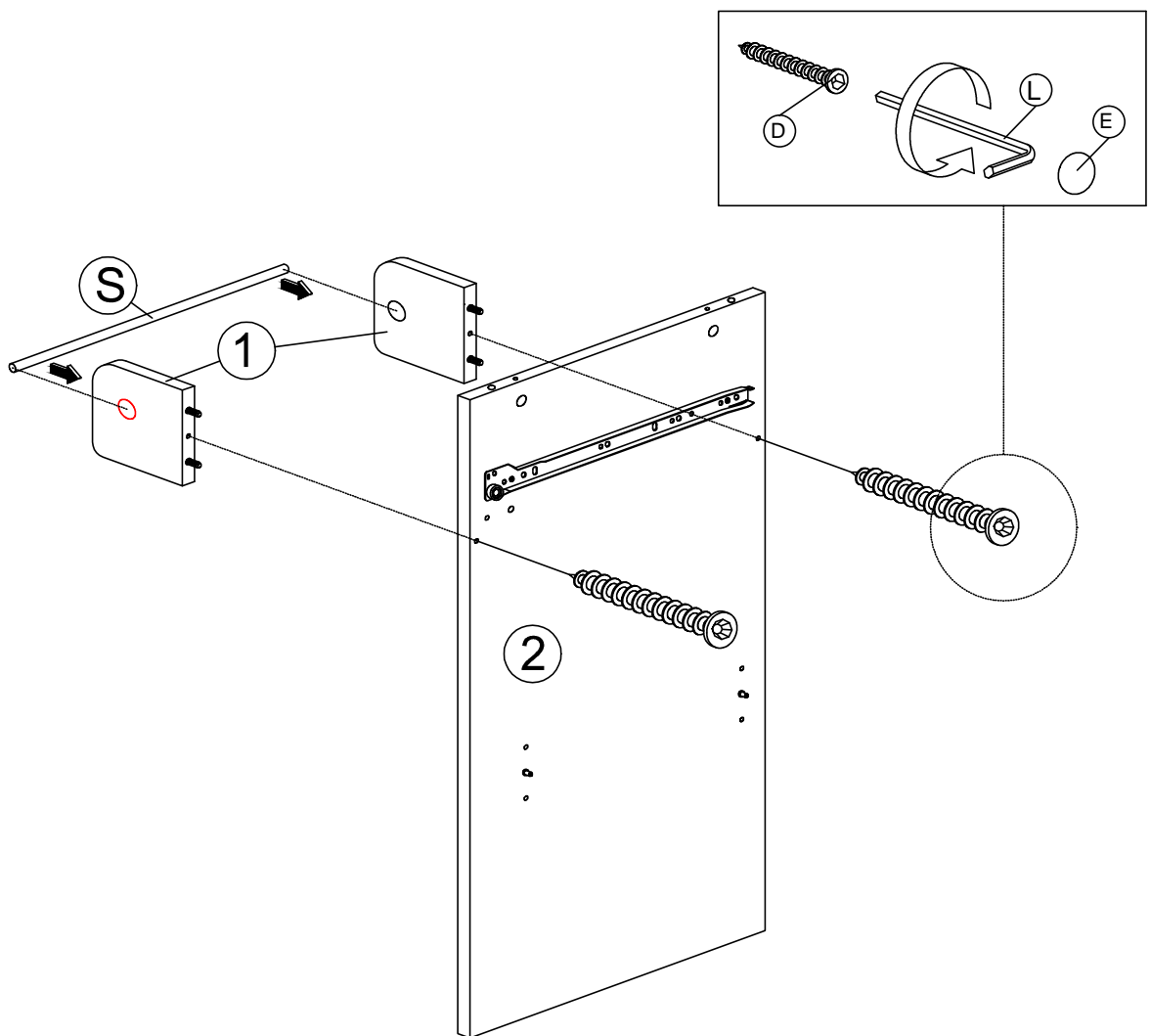
Assembly Instruction Step 2

Fix Panel (3,4) onto panel (5) by inserting dowels (C) onto non-thru at panel (3,4) use allen key (L) to tighten screws (D) from the thru-holes of panel (5) after that insert CSK CAP (E).



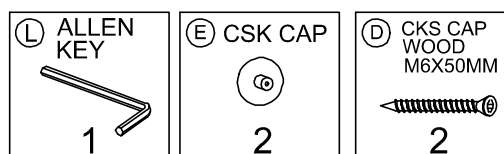
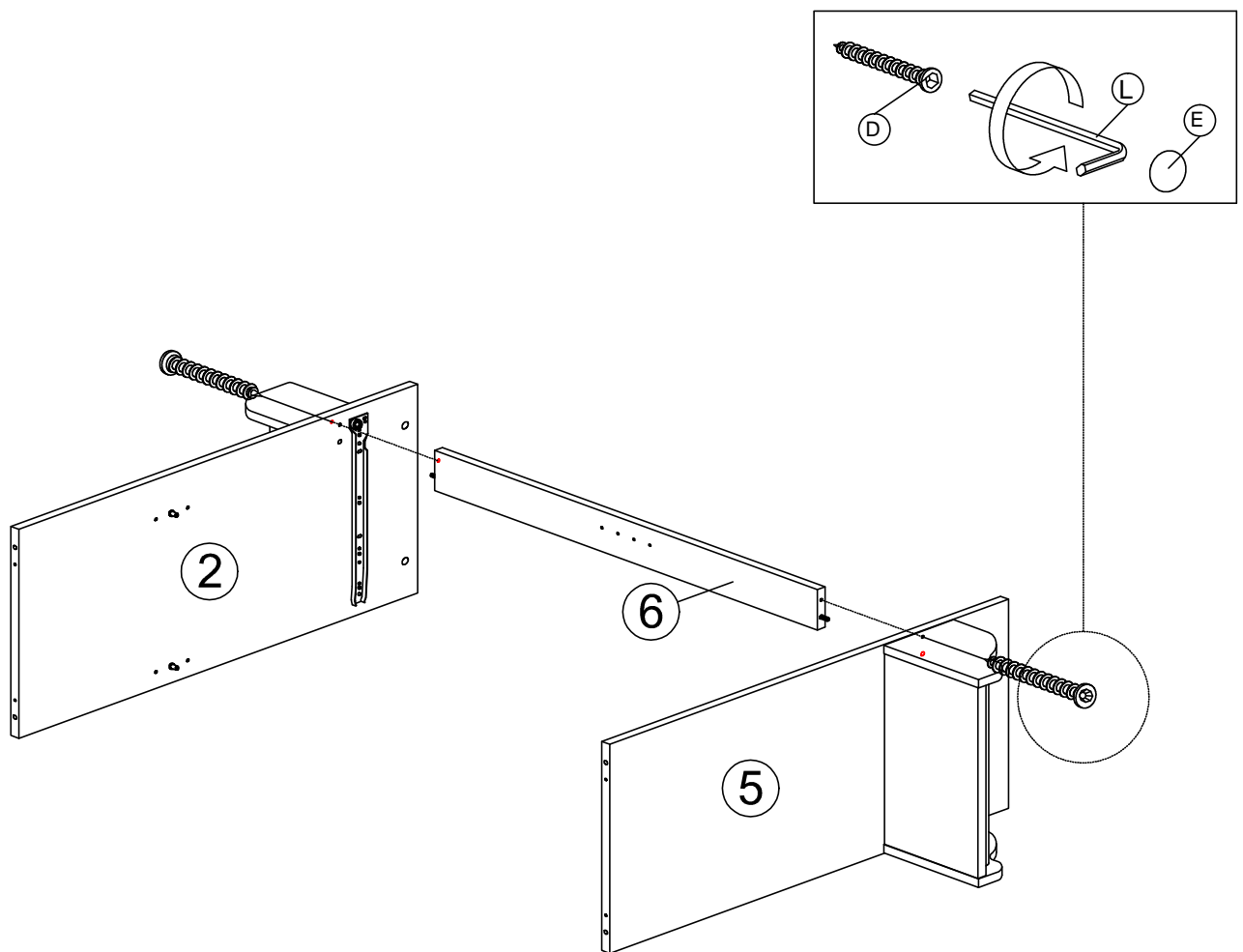
Assembly Instruction Step 3

Put in the chrome pipe (S) to panel (1) Then fix onto panel (2) by inserting dowels (C) onto non-thru at panel (1) use allen key (L) to tighten screws (D) from the thru-holes of panel (2) after that insert CSK CAP (E).



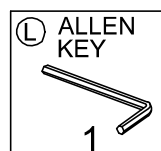
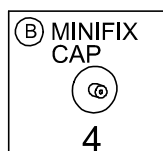
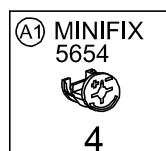
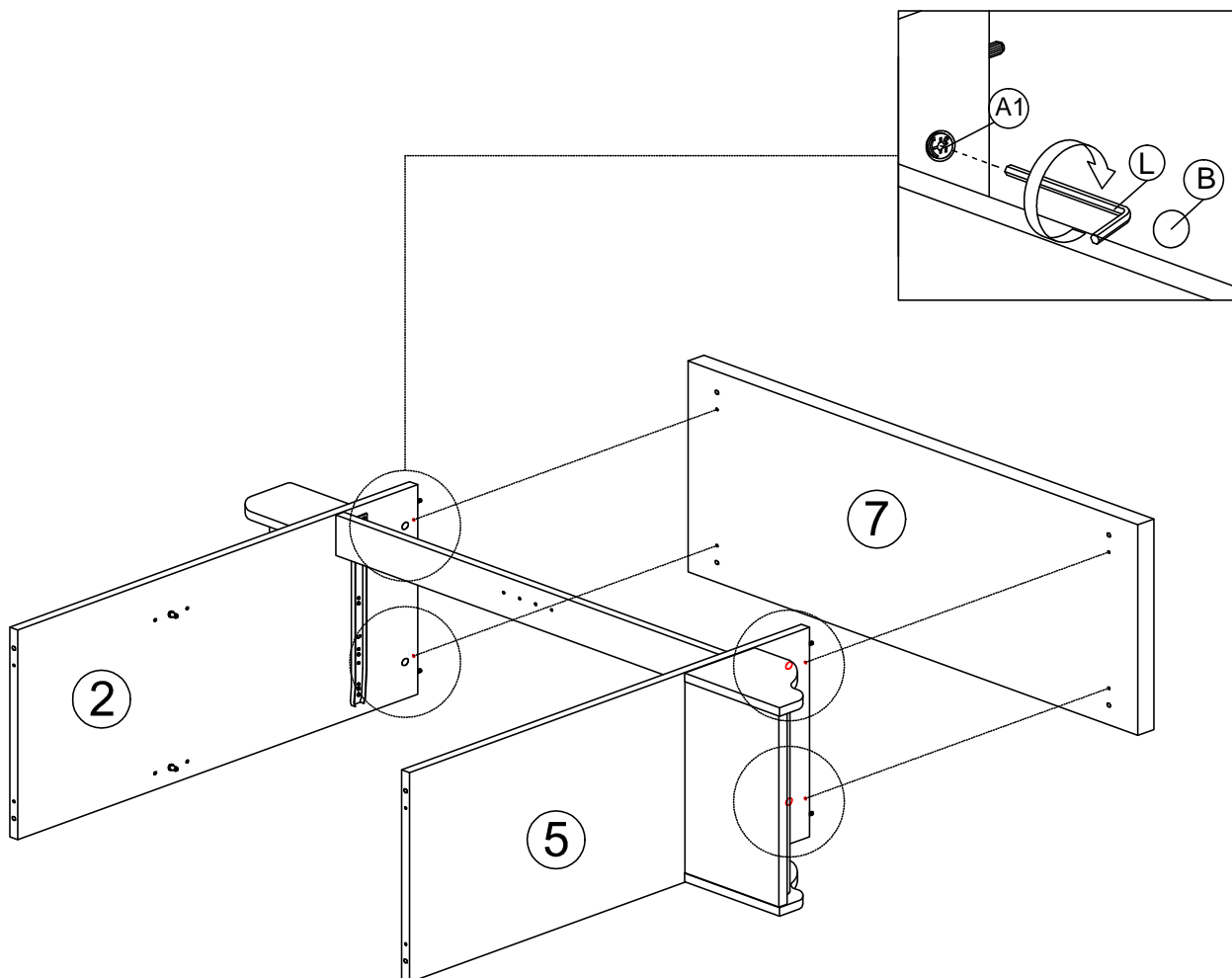
Assembly Instruction Step 4

Fix Panel (6) on both sides panel (2 & 5) by inserting dowels (C) onto non-thru at panel (6) use allen key (L) to tighten screws (D) from the thru-holes of panel (2 & 5) after that insert CSK CAP (E).



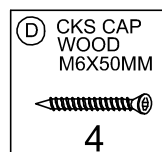
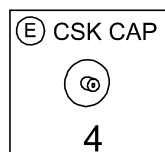
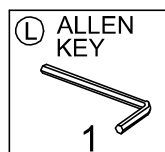
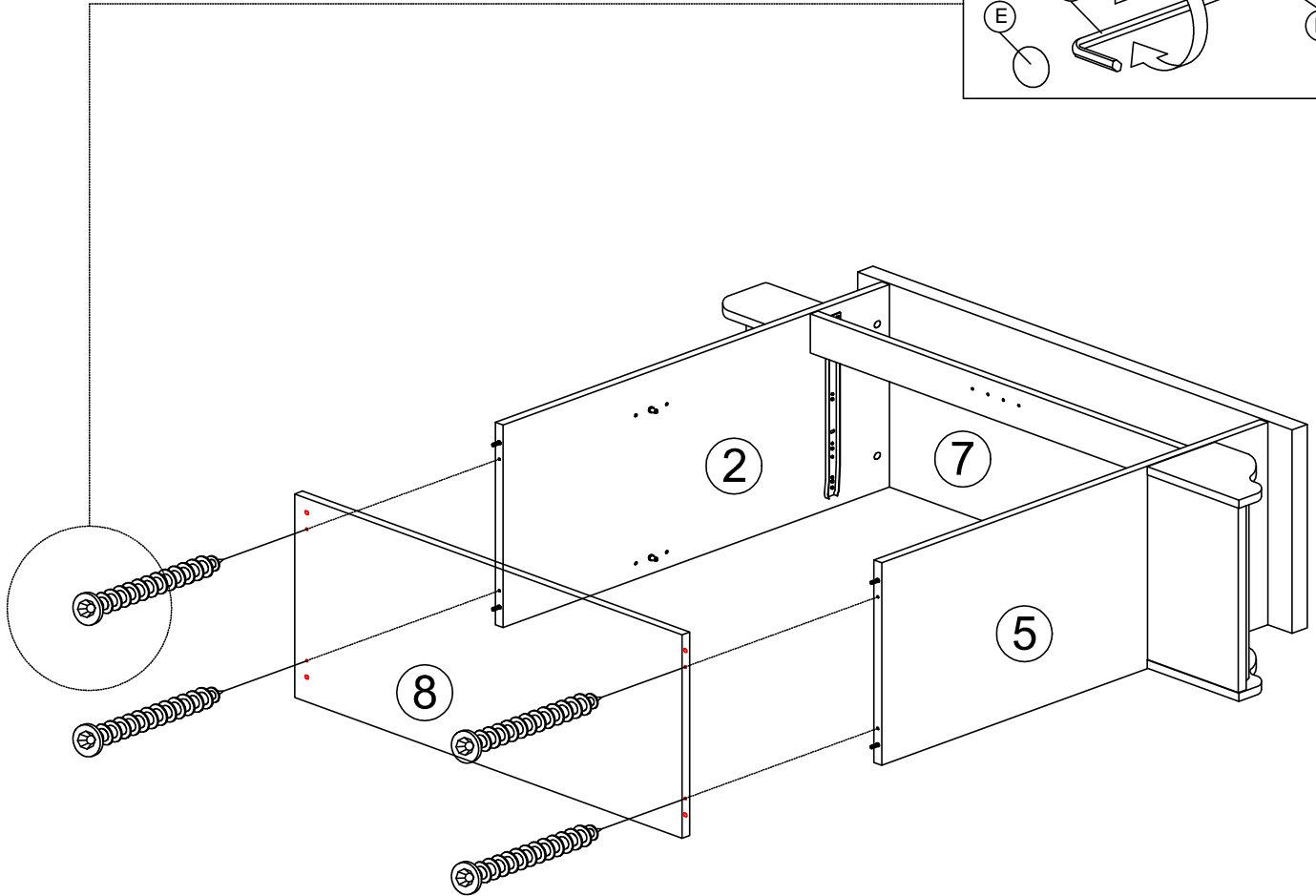
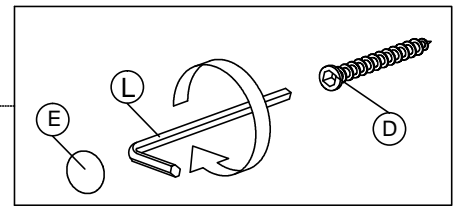
Assembly Instruction Step 5

Fix panel (7) onto side panel (2,5) by inserting minifix (A1) into panel (2,5) 's L-thru holes and using allen key (L) to tighten it after that insert minifix cap (B).



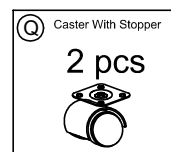
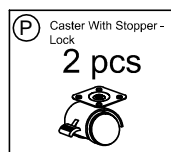
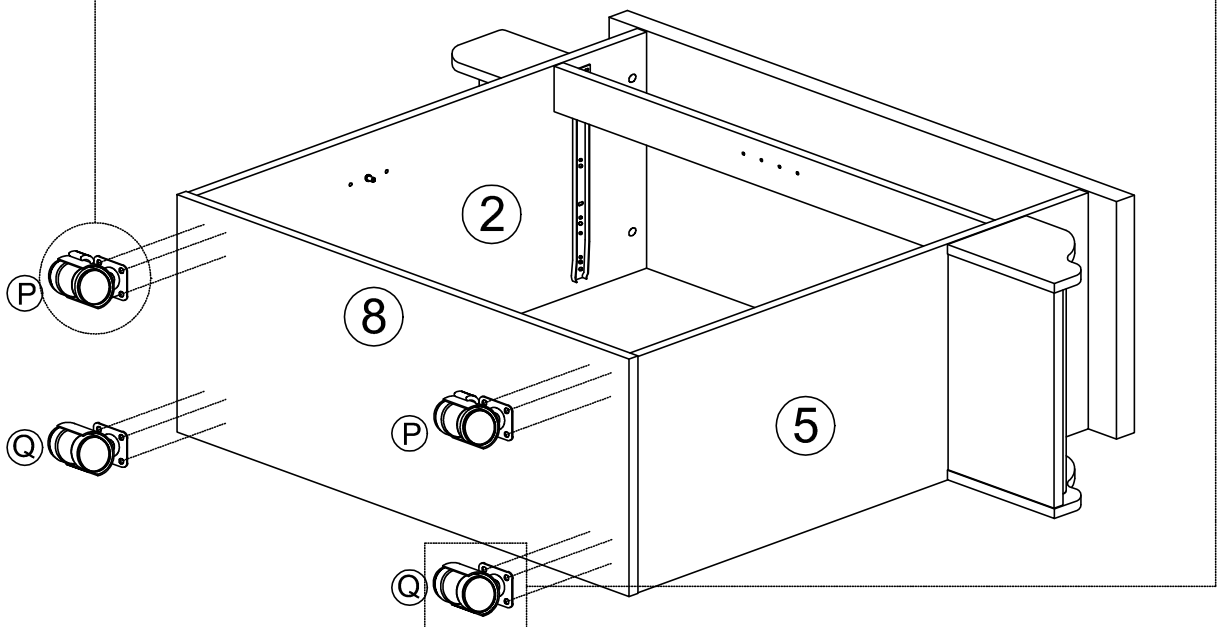
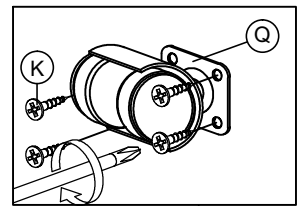
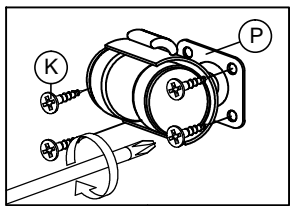
Assembly Instruction Step 6

Fix bottom panel (8) onto panel (2,5) by inserting dowels (C) onto non-thru at panel (2,5) use allen key (L) to tighten screws (D) from the thru-holes of panel (2,5) after that insert CSK CAP (E).



Assembly Instruction Step 7

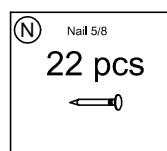
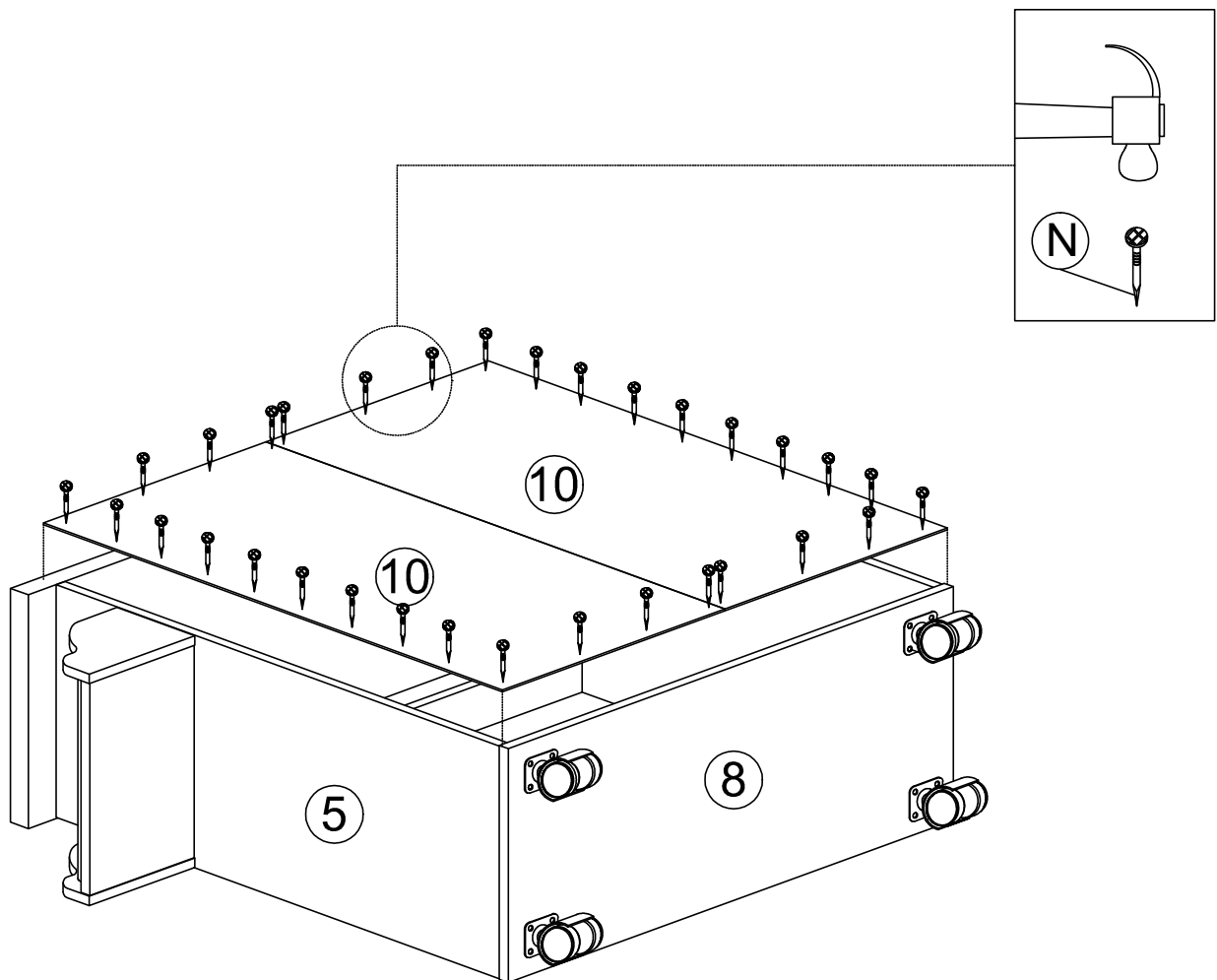
Fix caster (P) & (Q) onto panel (8) by inserting screw (K) into panel (8) 's L-thru holes and using screw tighten it.



Assembly Instruction Step 8

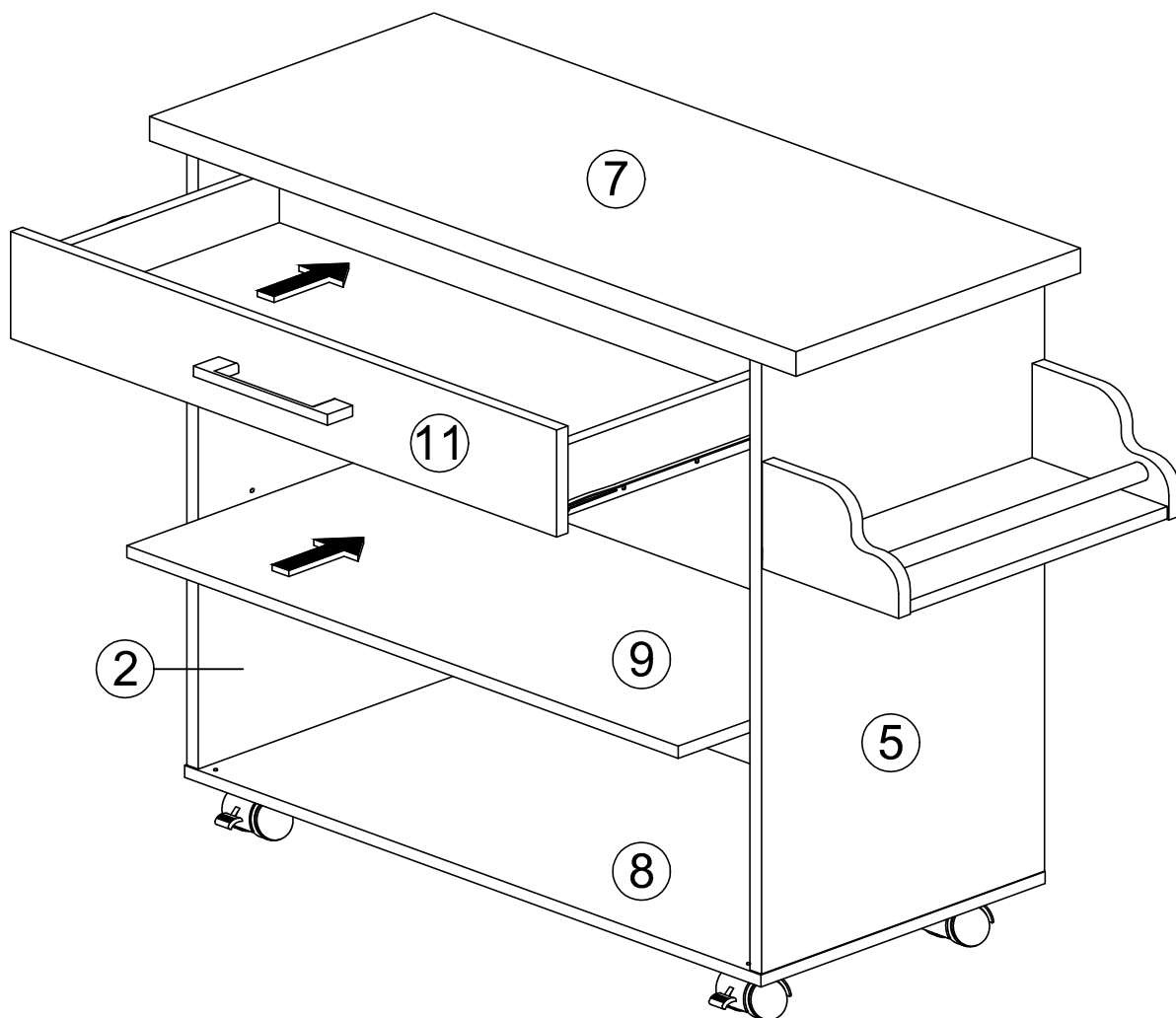
At face down position, Place back panel (10) onto the back of the main unit and align it properly for nailing.

Use hammer to nail the nails one by one on the line drawn and at center of 4 side edges. Gap between 2 nails should be about 90mm for all



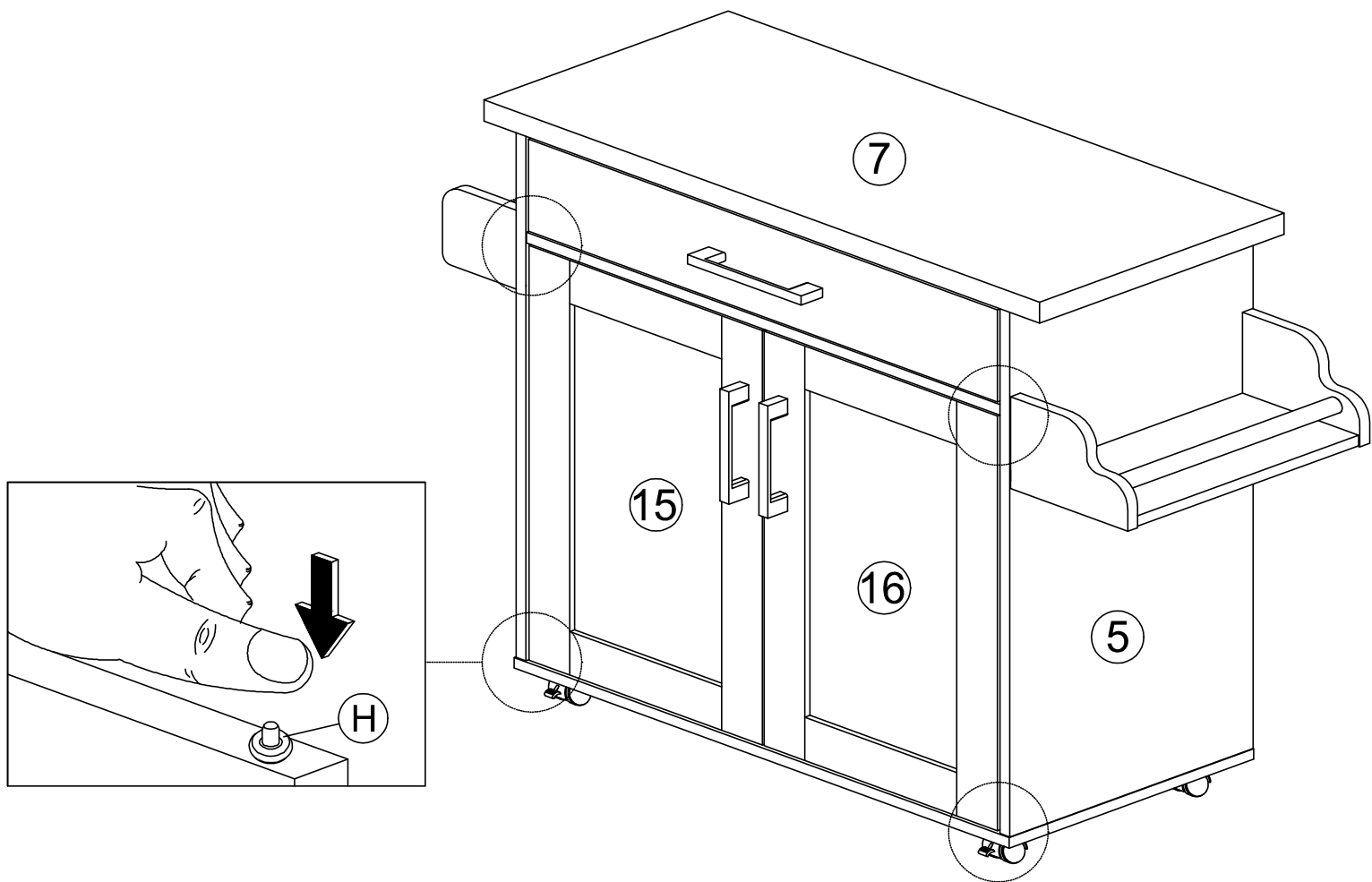
Assembly Instruction Step 9

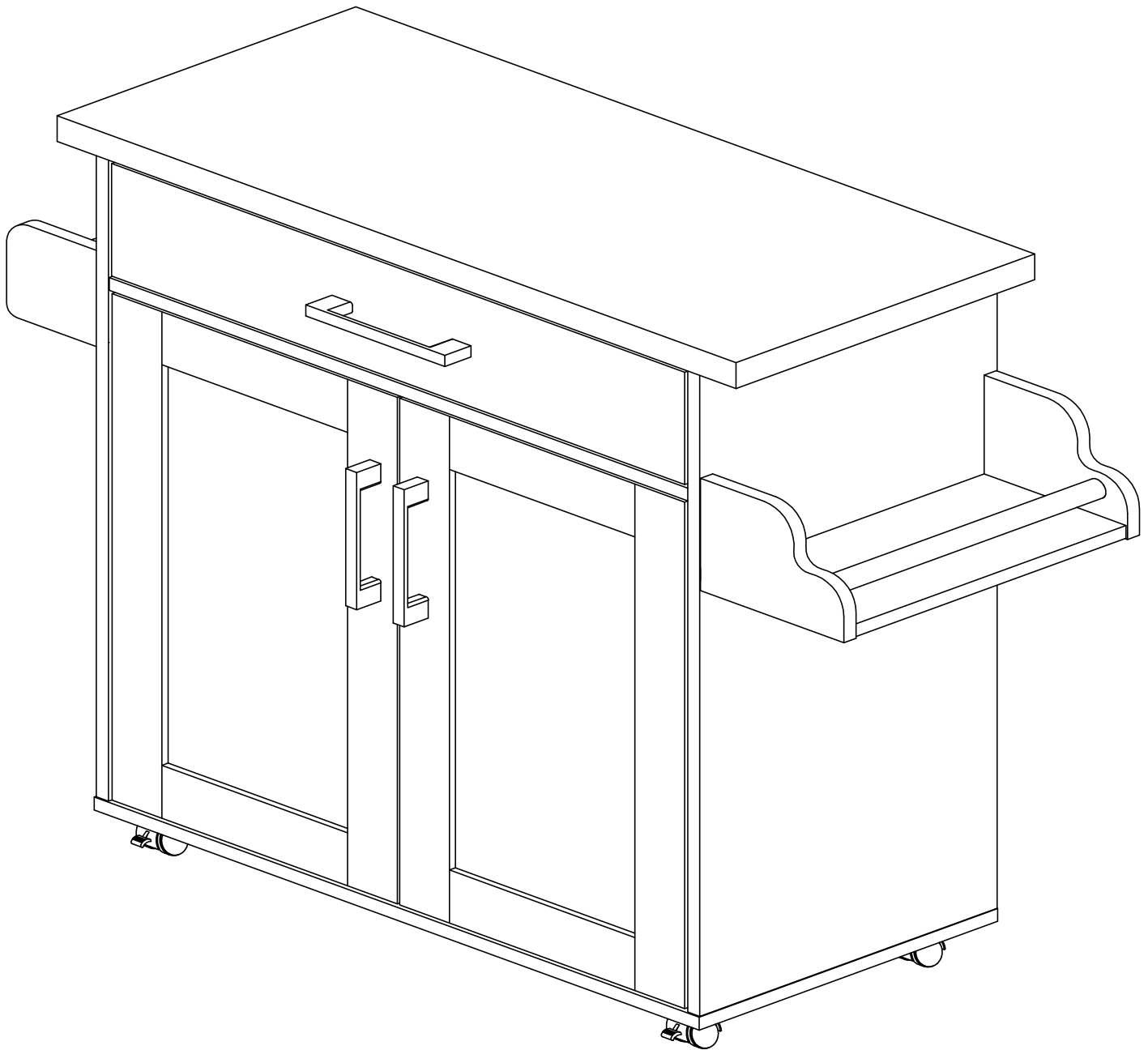
- Put in the drawer by slotting the rollers at each end of drawer slide (R2) onto the rail of drawer slide (R1) fixed at side panel 2 and 5. Then push the drawer in slowly.
- Take panel (9) and place it inside the top compartment by putting it on the 4 shelf support as shown.



Assembly Instruction Step 10

Fix down door panel (15 ,16) by pushing and slotting the door support (H) onto each holes at bottom of panel (8) and middle support (6).





Completion

In the interest of our environment please dispose of all packaging thoughtfully.