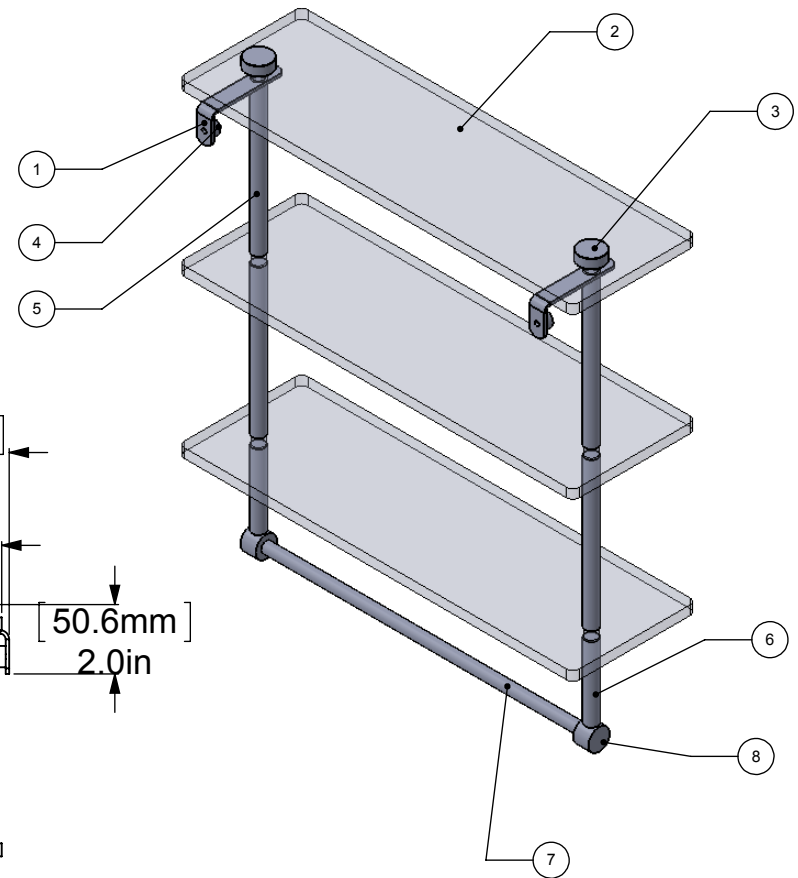
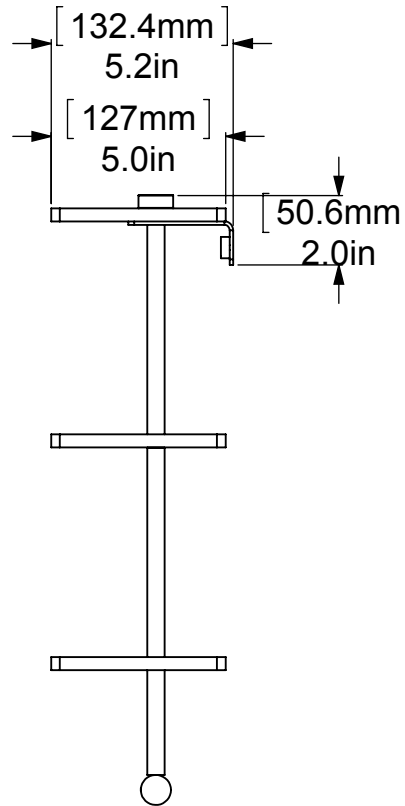
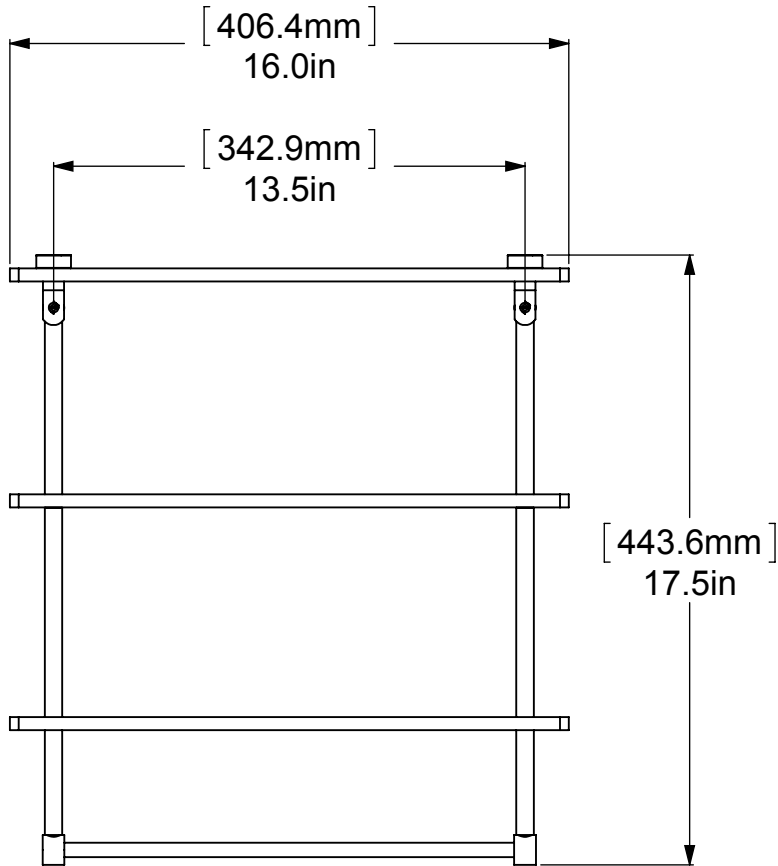


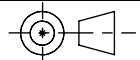
ITEM NO.	P/N	Description	QTY.								
1	BKSH-2AD	BRACKET	2								
2	GLRT-16	GLASS	3								
3	CARD-1	END CAP	2								
4	CARD-58	LOCK	2								
5	TU12-6	TUBE	4								
6	TU12-3	TUBE	2	7	TU38-13.5	TUBE	1	8	HBBTT-78	HUB	2
7	TU38-13.5	TUBE	1								
8	HBBTT-78	HUB	2								



UNLESS OTHERWISE STATED

.X	±.3mm
.XX	±.15mm
.XXX	±.008mm

COPYRIGHT © Allied Brass 2016



THIRD ANGLE PROJECTION

DRAWN	6/29/2016	I.M	MATERIAL:	BRASS		FINISH	TBD
CHECKED	6/29/2016	P.D	DESCRIPTION:	SHELF		QUANTITY	TBD
APPROVED	6/29/2016	R.A			DRAWING No.		REV
					NS-5-16TB		0
			SCALE	1:5.5	SHEET: 01	A4	