



Buy it for looks. Buy it for life.®

# Specifications

## FAUCET DESCRIPTION

- Metal construction with chrome plated finish
- Pressure balancing cycle valve design with an adjustable temperature limit stop
- 1/2" IPS/CC connections
- Includes valve, showerhead, tub spout, arm and flange

## OPERATION

- Lever style handle
- Handle operates counterclockwise through a 270° arc with off at 6 o'clock and maximum hot at the 9 o'clock position. Shut off in clockwise direction
- Adjustable temperature limit stop to control maximum hot water temperature
- Pressure balancing mechanism maintains selected discharge temperature to ± 3° F (± 2° C)

## FLOW

- Showerhead is limited to 1.75 gpm (6.6 L/min)

## CARTRIDGE

- 1222 cartridge design
- Nonmetallic/nonferrous and stainless steel materials
- Accommodates back to back installations

## STANDARDS

- Third party certified to meet ASSE 1016, ASME A112.18.1/ CSA B-125.1, and all applicable requirements referenced therein
- ADA for lever handles
- Meets Watersense® criteria
- Meets New York City Local Law No. 57
- Compliant with California water efficiency regulations

## WARRANTY

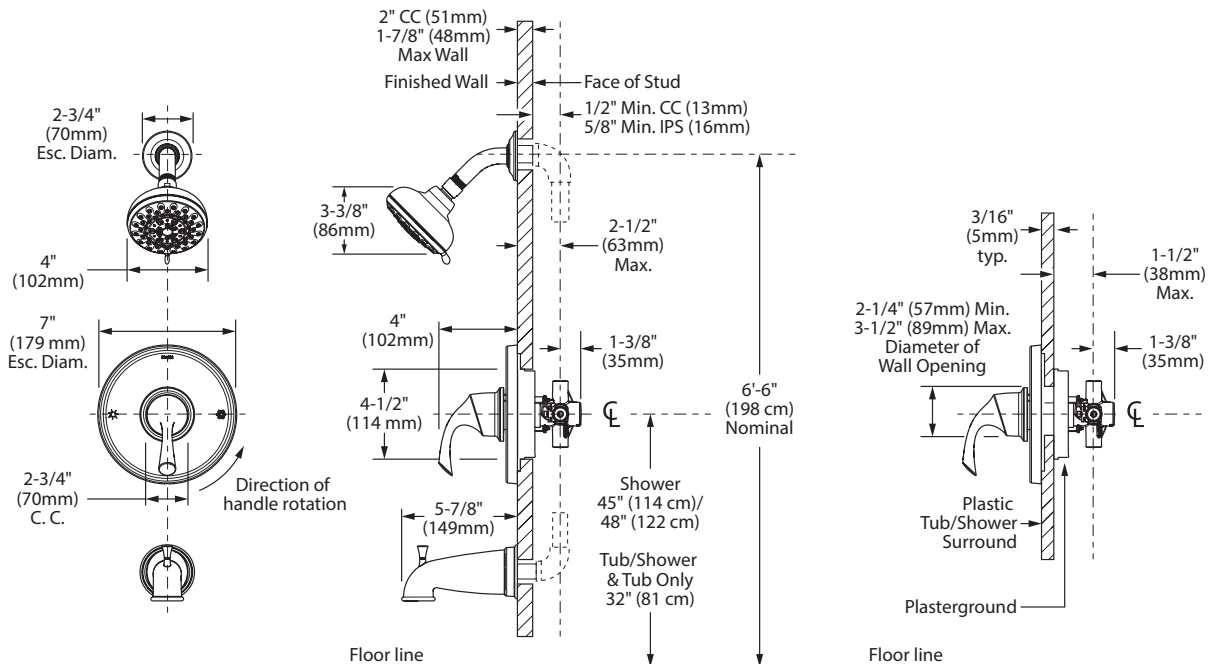
- Lifetime limited warranty against leaks, drips and finish defects to the original homeowner
- 10 year limited warranty when used in a multifamily installation
- 5 year limited warranty when used in a commercial installation

Visit [www.moen.com/support](http://www.moen.com/support) for complete details and limitations



## Idora™ Posi-Temp® Single-Handle Tub/Shower

Models: 82115



## CRITICAL DIMENSIONS

(DO NOT SCALE)