

INSTALLATION INSTRUCTION FOR FIXTURE 3134-207

READ AND SAVE THESE INSTRUCTIONS

WARNING! SHUT OFF THE POWER AT FUSE OR CIRCUIT BREAKER.

ASSEMBLY THE FIXTURE(FIG.2)

1. Carefully unpack your new fixture and lay out all the parts in a clear area. Take care not to lose any small parts necessary for installation.
2. Thread the nipple (M) into the coupling (O), then install the glass bobeche (N), knurled nut (C) over the nipple (M), and fix them with the fixture loop (A) tightly;
3. Thread the nipple (I) into the coupling (P) tightly;
4. Insert the rubber washer (Q) and glass bobeche (J) over the nipple (I), and lock it in place by the finial (K), then hook the crystal drop (L) to the small ring (R);
5. Insert the candle cover (E) over the socket (F), then put the glass bobeche (D) set over the socket (F) well;
6. Install the light bulb in accordance with fixture's specifications. **DO NOT EXCEED THE MAXMUM WATTAGE RATING!**
7. Hook the crystal drop (H) to the small ring (G).

MOUNTING THE FIXTURE (FIG.1)

1. Shut off the power supply at the fuse box or circuit breaker box. Remove the old fixture from ceiling. Including the cross bar.
2. Thread the nipple (V) into the collar loop (W) until snug.
3. Thread the other end of nipple (V) into the cross bar (S) properly.
4. Place lock washer (T) over the end of nipple (V) protruding through cross bar (S) and thread hex nut (U) onto nipple (V) until tight.
5. Take this crossbar assembly and mount to ceiling outlet box (Y) using outlet box screw (Z) tightly. The side of cross bar marked with "GND" must face out.
6. Use proper chain pliers to open one end link of the chain and connect to the fixture loop (A). Close the link.
7. By measuring, determine correct number of links needed for proper hanging height. Using pliers, disconnect and discard remaining chain.
8. Lace the fixture wires through the chain (AA).
9. Slip collar ring (AB) over the chain (AA), then do the same with canopy (X).
10. Open the other end link of the chain (AA) and connect to the collar loop (W). Close the link.
11. Feed the fixture wires through the collar loop (W) and nipple (V) and pull until taut.

CONNECTING THE WIRE (See fig.3)

1. Take the black wire from the ceiling outlet box and the smooth wire leg from the fixture and twist bare ends together. Twist wire connector onto end of wire until snug.
2. Repeat same process with white junction box wire and ribbed wire leg of fixture wire. NOTE :Twist wire together in the same direction, then twist the wire connector onto wire.
3. If your outlet box has a grounding wire (Green or bare copper). Attach this wire and the bare copper wire from the fixture together as step 1. If outlet box has no ground wire. Attach the bare copper fixture wire to the green ground screw on the cross bar.
4. Tuck these wires connectors neatly into the ceiling out let box and raise the collar ring (AB) and thread onto collar loop(W) protruding through canopy.

Your installation is now complete. Return power to the junction box and test the fixture.

Fig. 2

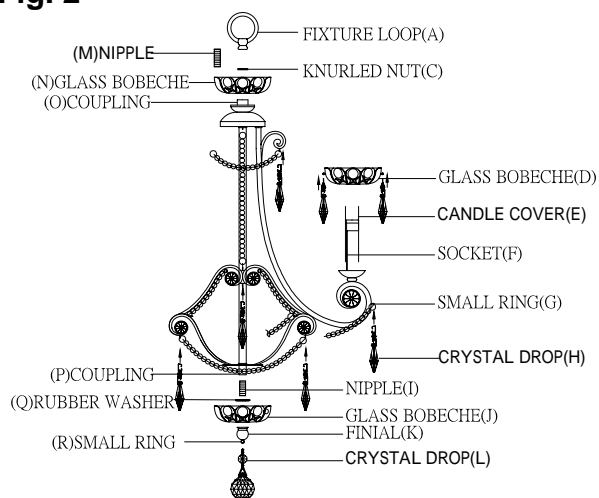


Fig. 1

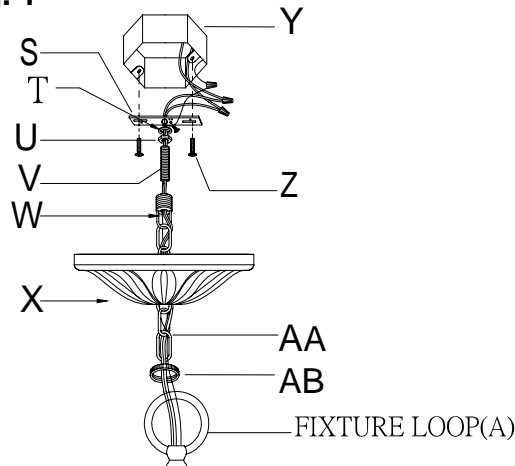
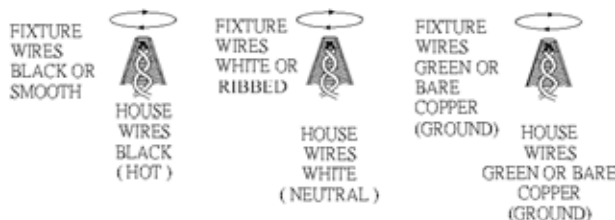


Fig.3



Notice: It is important to use proper chain pliers (not included) to OPEN and CLOSE the chain included with this fixture. Do not open them with other tools that may twist or stress the chain links. It is important to use proper chain pliers like the ones shown in the diagram.

