



SKU#
THD.com#
Model # CT261405A&B

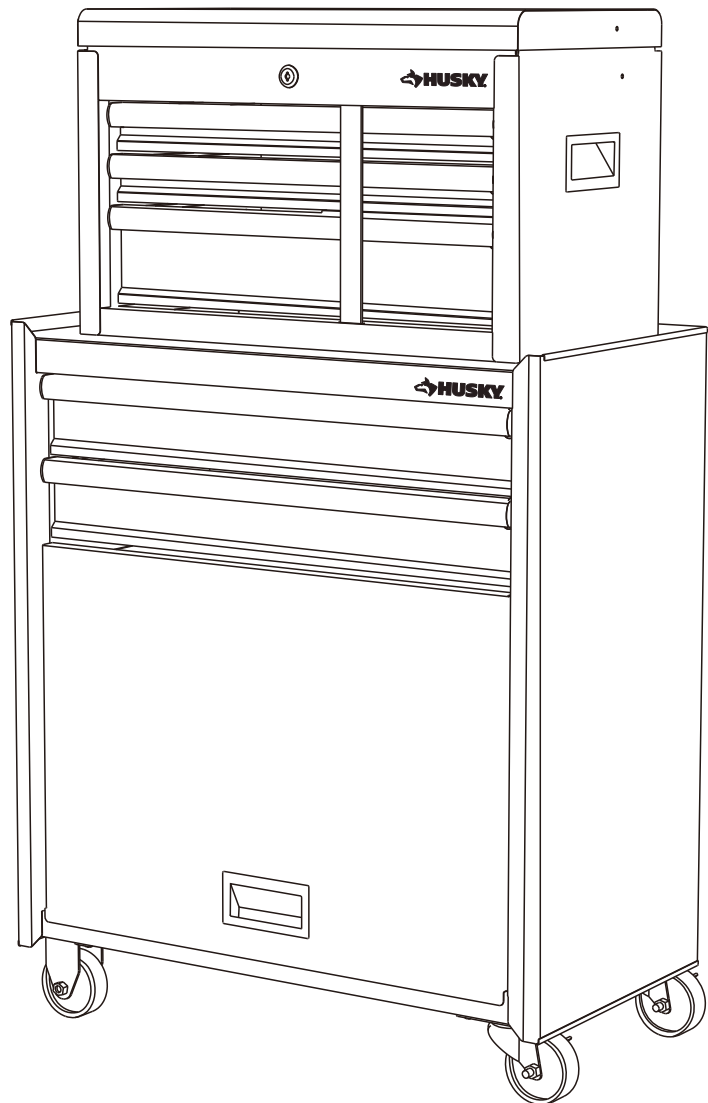
USE AND CARE GUIDE

26.5-IN. 5-DRAWER TOOL CHEST COMBO-BLACK

Questions, problems, missing parts?
Before returning to the store, call
Husky Customer Service
8 a.m - 7 p.m., EST, Monday-Friday,
9 a.m. - 6 p.m., EST, Saturday

1-888-HD-HUSKY

HUSKYTOOLS.COM



THANK YOU

We appreciate the trust and confidence you have placed in Husky through the purchase of this chest/cabinet. We strive to continually create quality products designed to enhance your home. Visit us online to see our full line of products available for your home improvement needs. Thank you for choosing Husky!

Table of Contents

Table of Contents.....	2
Safety Information.....	2
Warranty.....	3
Pre-Assembly.....	4
Tools Required.....	4
Hardware Included.....	4
Specifications.....	4
Product Contents.....	5

Assembly.....	6
Operation.....	8
Maintenance.....	9
Care and Cleaning.....	9
Service Parts.....	10

Safety Information

1. Do not open more than one drawer at a time.
2. Do not let children approach the tool chest / cabinet.
3. To help prevent the product from tipping, load the product starting with the bottom drawers.
4. Keep the locking casters brake set unless you are moving the cabinet. This will help to prevent the product from rolling.
5. Lock both the lid and all drawers before moving the cabinet / chest.
6. Do not step in any drawer / drawers.
7. When moving this product, push it rather than pull it.
8. Do not alter this product.



DANGER: Do not stand on this product. You may fall or cause the product to tip.



DANGER: Do not move the product prior to closing and locking all the drawers. The drawers could come open and make the product unstable and tip.



DANGER: Do not mount this product on a truck bed or any other moving object.



WARNING: Keep the product on a level surface. The product may become unstable and tip if stored or moved on an uneven surface.



WARNING: For loading always put heavier items at the bottom and not near the top in order to help prevent the possibility of the chest-cabinet tipping over.



WARNING: Be careful when closing the cover. Remove hands before closing the cover.



WARNING: Do not use outdoors.



WARNING: The chest-cabinet is intended for household use.



CAUTION: Only transport this product when empty. Properly secure when transporting.



CAUTION: Do not lift this product directly with a forklift or tow with any mechanical devices.



CAUTION: Do not exceed the maximum product weight, including contents. Do not exceed the maximum weight for each drawer. See Specifications on page 4.

Warranty

The manufacturer warrants the product to be free from defects in materials and workmanship for a period of three (3) years from date of purchase. This warranty applies only to the original consumer and only to products used in normal use and service. If this product is found to be defective, the manufacturer's only obligation, and your exclusive remedy, is the repair or replacement of the product at the manufacturer's discretion, provided that the product has not been damaged through misuse, abuse, accident, modifications, alteration neglect or mishandling. This warranty shall not apply to any product that is found to have been improperly installed, set up, or used in any way not in accordance with the instructions supplied with the product. This warranty shall not apply to a failure of the product as a result of an accident, misuse, abuse, negligence, alteration, faulty installation, or any other failure not relating to faulty material or workmanship. This warranty shall not apply to the finish on any portion of the products such as surface and/or weathering, as this is considered normal wear and tear.

The manufacturer does not warrant and specifically disclaims any warranty, whether express or implied, of fitness for a particular purpose, other than the warranty contained herein. The manufacturer specifically disclaims any liability and shall not be liable for any consequential or incidental loss or damage, including but not limited to any labor/expense costs involved in the replacement or repair of said product. Contact the Customer Service Team at 1-888-HD-HUSKY or visit HUSKYTOOLS.COM.

Pre-assembly

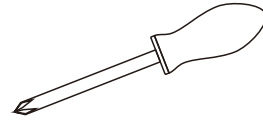
TOOLS REQUIRED



Inner hexagon spanner



Safety goggles

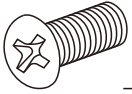


Phillips screwdriver

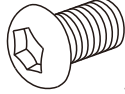
HARDWARE INCLUDED



NOTE: Hardware not shown to actual size.



AA



BB



CC

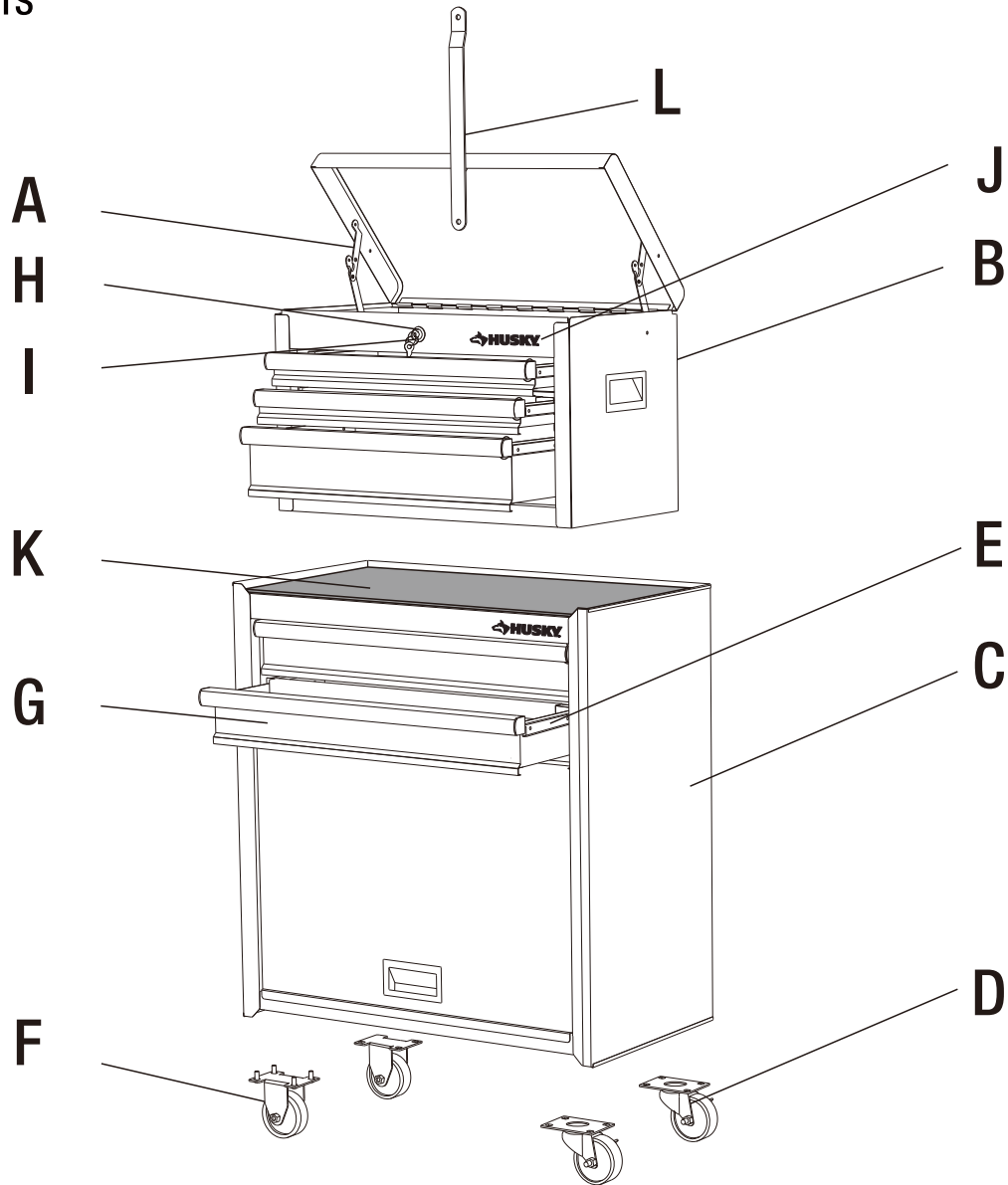
Part	Description	Quantity
AA	Screw M6 x 15L	4
BB	Screw M8 x 10L	16
CC	5.0 mm Inner hexagon spanner	1

SPECIFICATIONS

Maximum capacity (cabinet drawer)	300 lbs
Empty weight	71 lbs

Pre-assembly (continued)

PRODUCT CONTENTS



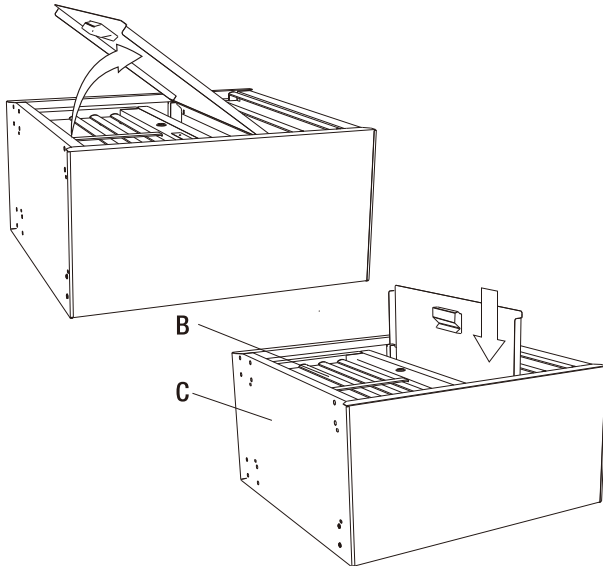
Part	Description	Quantity
A	Hinged cover support	2
B	Top chest	1
C	Rolling cabinet	1
D	Swivel caster with brake	2
E	Drawer slide (pair)	5
F	Regular caster	2
G	Drawer	5

Part	Description	Quantity
H	Lock	1
I	Key (set)	1
J	Husky badge	2
K	Liner	1
L	Bar	1

Assembly

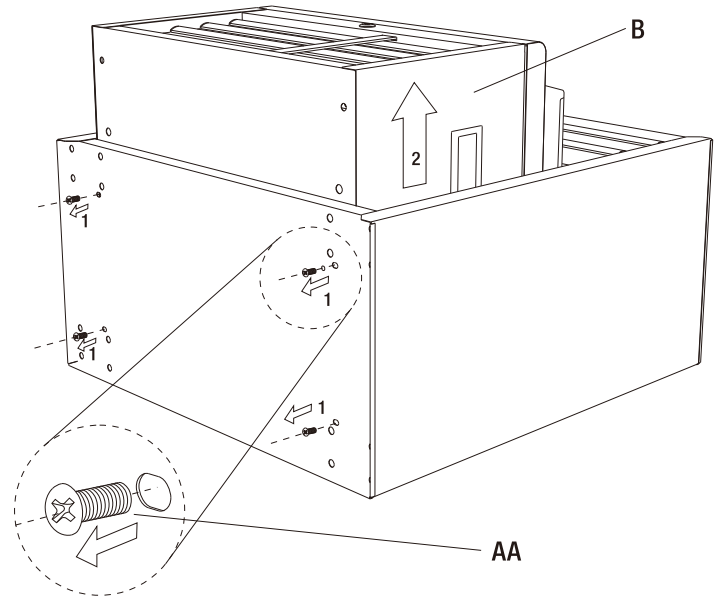
1 Opening the door

- Take the combo out of the cardboard box.
- Lay the combo cabinet on the ground.
- Open the door, then push the door inside as in the picture below.



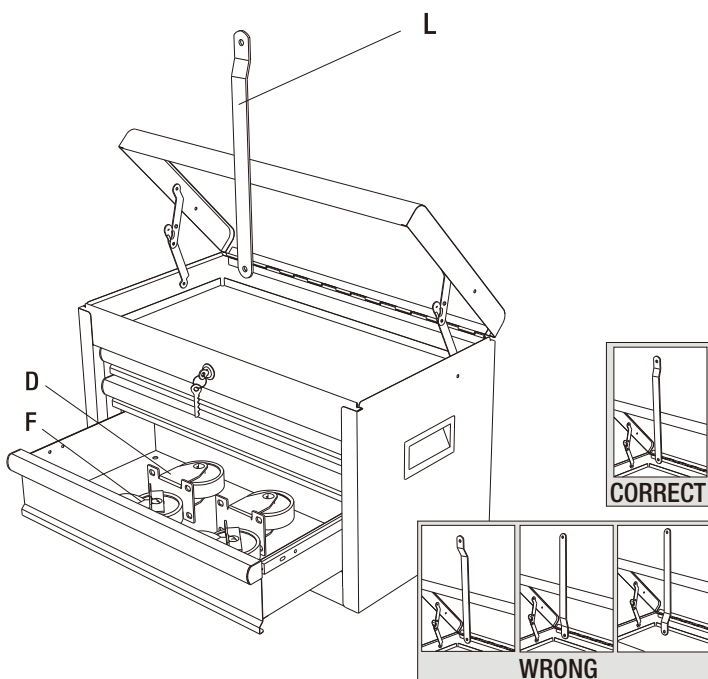
2 Taking out the top chest

- Remove four screws (AA).
- Take the top chest (B) out.



3 Installing the casters

- Remove the front bar (L) (Do not discard, do not insert bar the wrong way), then take out the casters (D and F) from the third drawer.

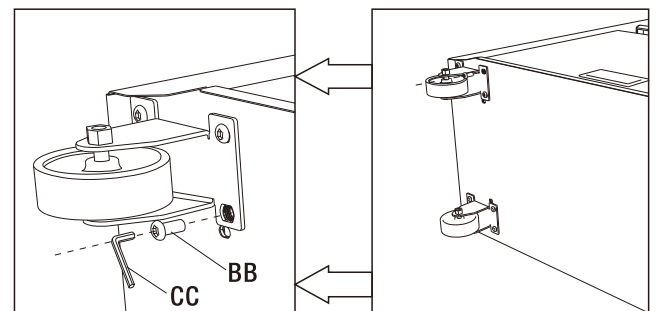


4 Installing the casters



CAUTION: Do not overtighten the screws.

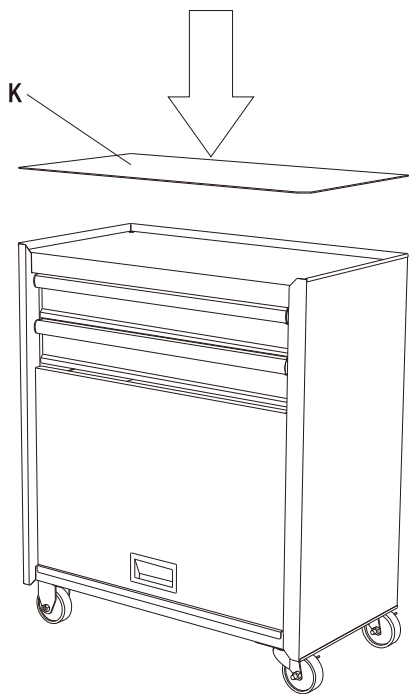
- Lay the rolling cabinet (C) on its back. Use the packaging material to protect the finish.
- Mount the swivel casters with brake (D) to the rolling cabinet (C) using four screws (BB) per caster. The swivel casters with brake (D) should be installed on each end of the cabinet.
- Mount the two regular casters (F) to the rolling cabinet (C) using four screws (BB) per caster.
- Tighten all bolts with a spanner (CC).
- Return the rolling cabinet (C) to its upright position.



Assembly (continued)

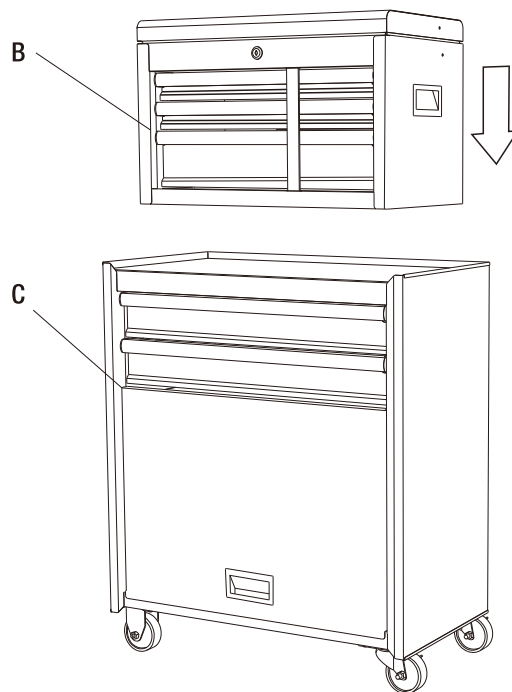
5 Installing the liner

- Place the liners (K) in an appropriately sized area to protect the surface.



6 Placing the chest

- Place the top chest (B) on top of the rolling cabinet (C).



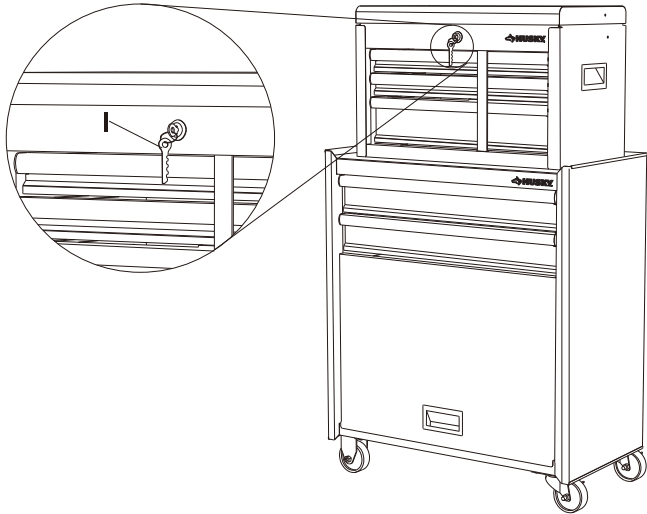
Operation

1 Locking and unlocking the unit



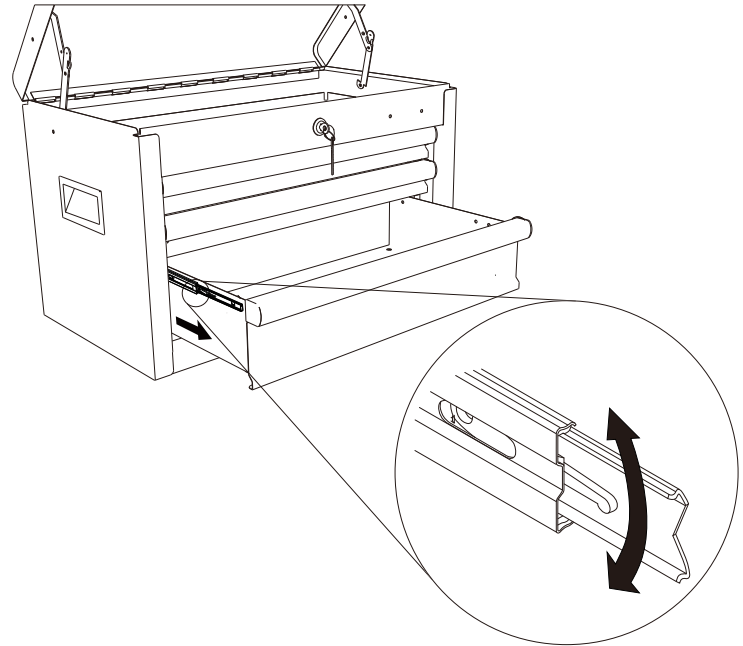
IMPORTANT: The drawers must be fully closed before locking / unlocking the unit.

- Insert the key (I) and turn it fully to the left to lock.
- Remove the key (I).
- Insert the key (I) and turn it fully to the right to unlock.
- Remove the key (I).



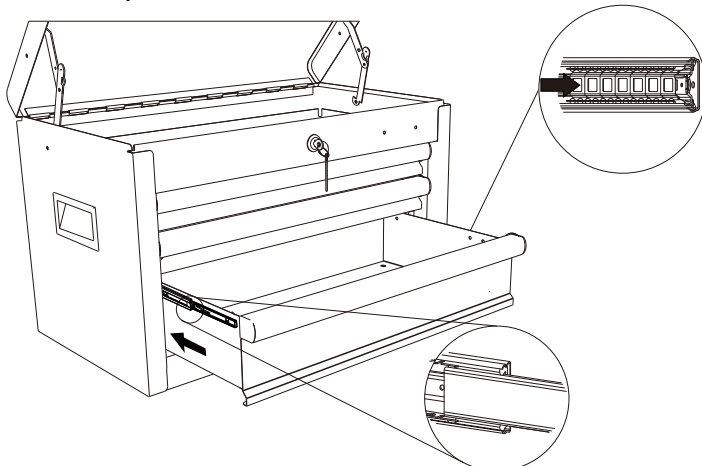
2 Removing the drawers

- Fully extend and empty the drawer.
- Depending on the slide, either lift or lower the release lever on both sides so the slides can ride over the stops. Pull out to remove.



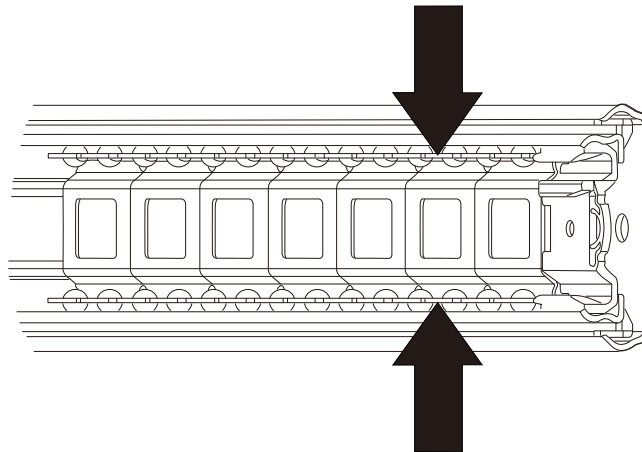
3 Installing the drawers

- Pull the slides and slide carrier out until fully extended.
- Hold the slide on the cabinet while aligning it with the slide on the drawer.
- Slightly insert one side and repeat for the other side.
- Slowly push the drawer until it is fully closed to engage the slide.
- Open the drawer and close it to verify proper operation.



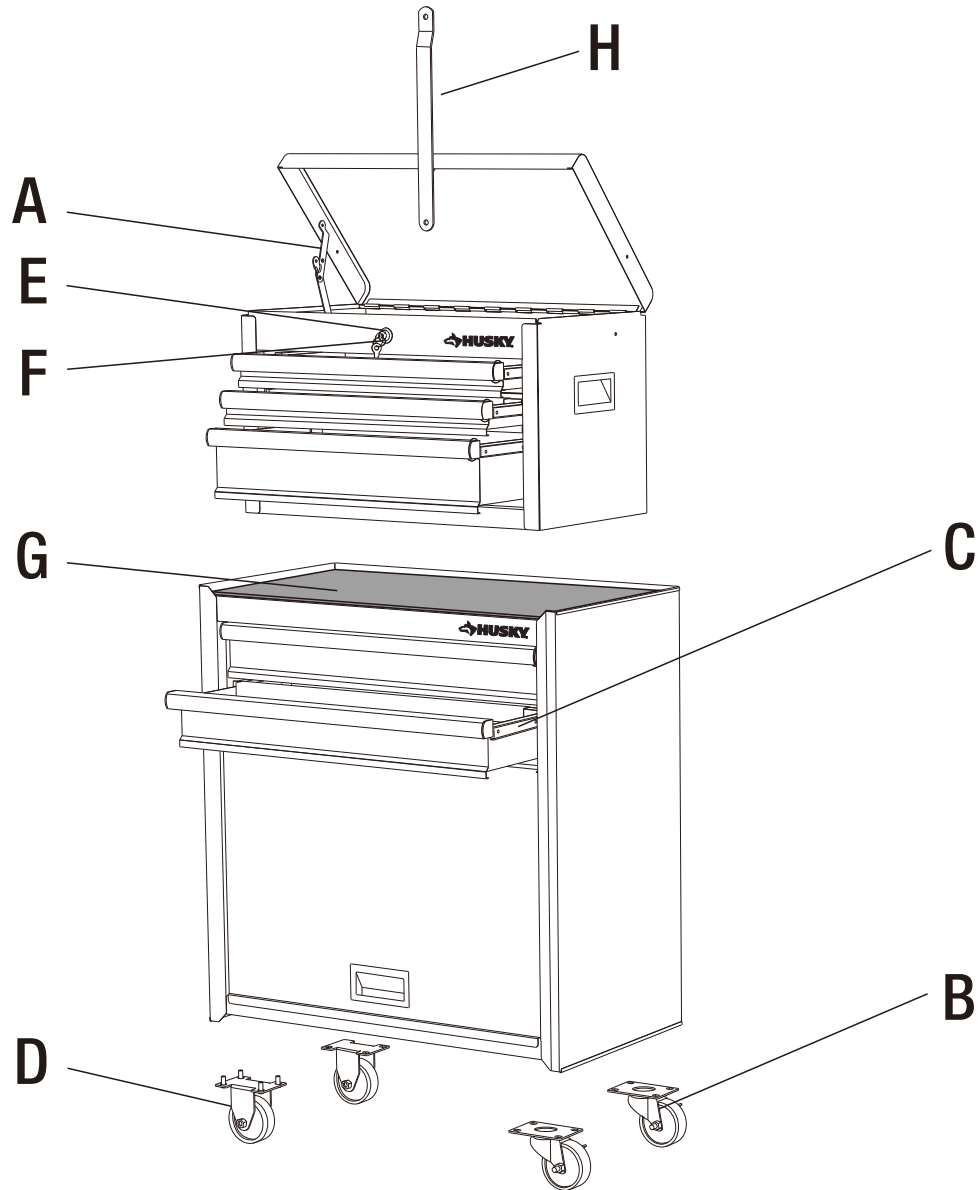
Maintaining the drawers

- Periodically clean the drawer trim, and inside the drawers with a mild detergent and water.
- Remove grease and oil with a standard, nonflammable cleaning fluid.
- The use of drawer liners is recommended to protect the finish inside the drawers and make the drawers easier to clean. Drawer liners can be purchased at The Home Depot and can be cleaned with soap and water.
- Lubricate the slides semi-annually with grease or equivalent.



Care and Cleaning

- This steel product has been coated with industrial powder coating for a durable finish.
- To help protect the powder coated finish, do not allow harsh chemicals (oil, grease, or other chemicals) to remain on the powder coating surface.
- Use a glass cleaner (Windex® or equivalent product) to clean and maintain all surfaces with powder coating.



Part	Description	Quantity
A	Hinged cover support	2
B	Swivel caster with brake	2
C	Drawer slide (pair)	5
D	Regular caster	2
E	Lock	1
F	Key (set)	1
G	Liner	1
H	Bar	1



Questions, problems, missing parts? Before returning to the store, call
Husky Customer Service
8a.m. - 7 p.m., EST, Monday - Friday, 9 a.m. - 6 p.m., EST, Saturday

1-888-HD-HUSKY

HUSKYTOOLS.COM

Retain this manual for future use.