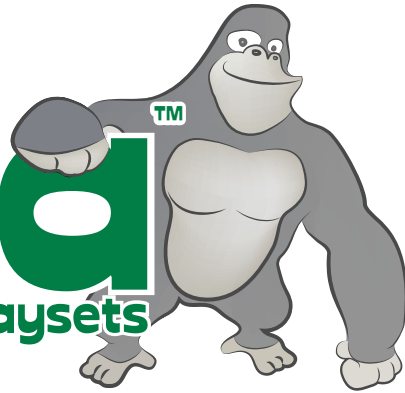


gorilla

playsets



The Five Star II with Monkey Bars

Timber Shield Post Option
BOXES: 380, 1100

Model: 380A

(BOXES: 380-1, 380-2,
382, 320 & Slide Box)

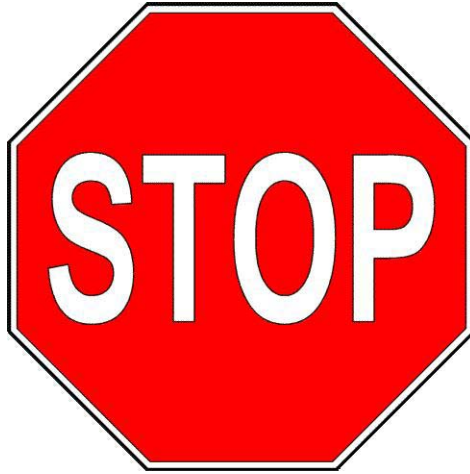
Copyright © 2017 Gorilla Playsets
All Rights Reserved



51-0083-W

190 Etowah Industrial Court
Canton, GA 30114

www.gorillaplaysets.com



Please inspect and inventory all parts immediately upon accepting delivery. Use the inventory pages in the manual to make sure you have received all necessary parts. The quickest method to get any parts that are missing or damaged is to use our “Quick Response Center” located at:

www.gorillaplaysets.com/support

DO NOT RETURN THIS PRODUCT TO THE RETAILER OR CONTACT THE RETAILER DIRECTLY. THE RETAILER DOES NOT STOCK COMPONENTS.

PLEASE RETAIN ALL INSTRUCTIONS FOR FUTURE REFERENCE. KEEP THEM IN A SAFE PLACE WHERE YOU CAN REFER TO THEM AS NEEDED. CHECK FOR REVISED INSTRUCTIONS AT:

www.gorillaplaysets.com/manuals

GORILLA PLAYSETS WARRANTY – 2017

Gorilla Playsets® (“Gorilla”) warrants its play sets to be free from defects in workmanship and materials, under normal use and conditions, for 10 years for above ground structural wood components and for one year for all other components (e.g., swings, hardware, plastics, tarps, rope ladder, etc.).

Gorilla warrants all remaining products, including but not limited to its, Malibu Playhouse, Free Standing Swing Set, Free Standing Tire Swing, See-Saw, Children’s Picnic Table with Umbrella, Play-Zee-Bo™, Cedar Toy Chest, Interlocking Sandbox and spring riders to be free from defects in workmanship and materials, under normal use and conditions, for a period of 1 year.

Cosmetic imperfections and natural tendencies of wood such as peeling, splintering, warping, seasonal checking or cracking, knots or knot holes, etc. are normal characteristics of all outdoor wooden play equipment and are not covered by this warranty. Checks or cracks in wood components that do not affect the intended function of the part, piece or overall swing set are not covered under this warranty.

Wood rot or decay that develops because the product was installed in an area with poor drainage is not covered under this warranty. Lumber that has been damaged by wood boring bees, or conditions that develop as a result of faulty or improper installation of the product, are not covered by this warranty. Fading of stain, discoloration or mold on any wood part or accessory is not covered by this warranty. Cracks in plastic components, surface rust on hardware and chips on powder coated materials are not considered defects in material as long as they do not affect the functionality or structural integrity of the part or component.

It is the owner’s responsibility to maintain the swing set. **This includes but is not limited to staining and sealing the lumber as needed and regular inspection to be sure all hardware is tight.** Instructions for proper maintenance can be found on Gorilla’s website. Imperfections or conditions that develop because of a failure to properly maintain the swing set are not covered by this warranty.

Gorilla will, at its discretion, replace any above ground part within the stated warranty period that is defective in workmanship or materials. This decision is subject to verification of the defect, which, at Gorilla’s discretion, may be accomplished by submitting photographs or by delivery of the defective part to Gorilla Playsets • 190 Etowah Industrial Ct. • Canton, GA 30114 • 1-800-882-0272 Monday to Friday 9AM-5PM EST. Any warranty claim must include proof of purchase, including the date of purchase. **In addition, within the first 30 days from the date of purchase, Gorilla will replace any parts discovered to be missing from or damaged in the original packaging.**

This warranty is valid only if the product is used for the purpose for which it was designed and installed at a residential, single-family dwelling. This warranty is void if the product is used in a commercial, institutional or multi-family setting. **This warranty does not cover normal wear and tear or (a) products that have been damaged by acts of God and/or nature, negligence, misuse or accident; (b) products that have been modified or repaired by unauthorized persons; (c) the cost of labor; or (d) the cost of shipping any replacement product or part.**

GORILLA DISCLAIMS ALL OTHER REPRESENTATIONS AND WARRANTIES OF ANY KIND, EXPRESSED, IMPLIED, STATUTORY OR OTHERWISE, INCLUDING THE IMPLIED WARRANTIES OF MERCHANTABILITY AND FITNESS FOR A PARTICULAR PURPOSE. GORILLA WILL NOT BE LIABLE FOR ANY INCIDENTAL OR CONSEQUENTIAL DAMAGES. This warranty is non-transferable and does not extend to the owners of the product subsequent to the original purchaser. Some states do not allow limitations on implied warranties or exclusion of incidental or consequential damages, so these restrictions may not be applicable to you. This warranty gives you specific legal rights. You may also have other rights which vary from state to state.

IMPORTANT SAFETY GUIDELINES

This product is recommended for use by children ages 3-11. This product is intended for residential use only and not intended for use in any public setting. A safety surface such as mulch or recycled tire should be used under the play set to prevent injury from falls. Also a 6 foot safety zone should be used around the entire play set.

As with any home project, good judgment and respect for power tools will greatly reduce the risk of injury. Gorilla recommends you follow all tool manufacturers' safety guidelines. Always wear eye protection and safety gloves to prevent injury. In several phases of construction two people may be required for lifting and securing of lumber. While the play set is being constructed, please keep children off the equipment until the project is complete. Bolts and screw heads should be checked regularly for tightness. The ground ladder, rope ladder, slide, swings and other areas where children spend a majority of their playtime should be checked more frequently.

Gorilla shall not be liable for incidental, indirect or consequential damages or injuries that result from building and/or playing on our play sets. Adult supervision is recommended anytime a play set is being used.

WEIGHT LIMITS FOR GORILLA PLAYSETS

- FORT PLATFORMS: 800 LBS. TOTAL WEIGHT
- SWING BELT: 225 LBS.
- TANDEM SWINGS: 70 LBS. PER CHILD. UP TO 140 LBS. TOTAL WEIGHT.
- TRAPEZE: 125 LBS.
- FULL BUCKET SWING/ HALF BUCKET SWING: 50 LBS.
- HEAVY DUTY TODDLER BUCKET SWING: 85 LBS.
- INFANT SWING: 35 LBS.
- TIRE SWING: 125 LBS. TOTAL WEIGHT
- ROPE LADDER: 75 LBS.
- ROCK WALL: 150 LBS.
- CLIMBING RAMP: 150 LBS.
- MONKEY BARS: 175 LBS.
- ALL SLIDES: 150 LBS.

Gorilla recommends that the weight limits for all components must not be exceeded. Failure to adhere to these and other safety guidelines could result in damage to the play set and injury to the users.

PRODUCT REGISTRATION

- THE FIVE STAR II WITH MONKEY BARS -

Gorilla Playsets™ manufactures the finest quality products that are designed for outstanding strength and durability. We back our products with unparalleled warranties. In the unlikely event that you need to contact us about covered repairs, we must have a valid Product Registration on file.

3 EASY WAYS TO REGISTER	
OPTION 1	Complete the online registration form at: http://www.gorillaplaysets.com/register
OPTION 2	Fax this completed form to: (678) 880-3300
OPTION 3	Mail this completed form to: Gorilla Playsets 190 Etowah Industrial Court Canton, GA 30114

Where did you buy this product?

Date of Purchase
Store
Store City
Store State

Your registration information:

Name: _____ Email: _____

Address: _____

Street

City

State

Zip

Please select 18-30 41-50
 your age 31-40 51+

How old are 2-3 6-7
 your children? 4-5 8+

Number of
 children

How would ★ ★ ★ ★ ★ Excellent
 you rate the ★ ★ ★ ★ Above Average
 quality of this ★ ★ ★ Average
 product? ★ ★ Below Average
 ★ Poor

Would you recommend this product to friends & family? Yes No

May we add you to our mailing list? Yes No

May we use your comments on websites or other marketing materials? Yes No

Comments: _____

THIS PAGE INTENTIONALLY LEFT BLANK

IMPORTANT – PLEASE READ

Congratulations! You have just purchase one of the finest residential wooden swing sets available today. As with any wooden product that spends its entire life outside, in varying elements, it is important to know what to expect with your new swing set so that your family can enjoy it for many years.

As your swing set acclimates to its new environment, natural characteristics of the wood can show in the form of checks, or “cracks” in the lumber. In almost all cases this is normal and it will not affect the structural integrity of your play set and is not covered under warranty.

KEEPING YOUR PLAYSET LIKE NEW

MUST DO's

The following owner responsibilities are crucial to the safety, integrity and aesthetic appeal of your swing set and may affect the warranty if not adhered to.

WITHIN 60 DAYS

- Check and tighten Hex Bolts/T-nuts, Carriage Bolts/Lock-nuts, and Lag Screws within the first 60 days and then twice annually – once before each season and then once during the season.

WITHIN 90 DAYS

- Apply a **sealant** or **semi-transparent stain with sealant** within the first 90 days of owning the swing set. Our own Stain/sealant is available online here: <http://www.gorillaplaysets.com/Playground-Sealant-p/10-0003.htm>

Oil based stain or water based stain may be used. Should you choose to use other stain we suggest asking the product covering specialists at any number of specialty paint stores or home improvement centers for a product that would work best for your local environment. ** TIP – while the set is new, take a small board from the store with you so they can color match the tint of the stain or sealant.

SEASONAL REMINDERS

- If your area experiences regular snowfall, remove your fabric tarp/canopy to avoid stretching, sagging or tearing of the material. Store it inside, folded up, and it will be as good as new when winter is over.
- If your area experiences extremely cold temperatures, remove swing belts and other pliable features to prolong the lifespan of these play activities.

OTHER TIPS

- Spray swing hangers with Pam, Mazola or olive oil to stop squeaking; do not use petroleum based products such as WD-40 or motor oil.
- To repel yellow jackets and wasps, use a cotton ball and dab interior wooden corners underneath the play set deck with a liquid dish soap. Avoid using insecticides.
- To speed up the slide wipe the center of slide with wax paper every 2 - 3 weeks.

For additional safety and maintenance guidelines, please visit our website.



IMPORTANT DOCUMENTS

CUSTOMER MUST READ AND RETAIN

Please go to the following links and read important **SAFETY** information prior to using your new play structure.

<http://www.gorillaplaysets.com/Swing-Set-Safety-s/85.htm>

<https://www.gorillaplaysets.com/Maintenance-s/129.htm>

<http://www.gorillaplaysets.com/manuals.html> (Click on your specific model)

<http://www.gorillaplaysets.com/Warranty-s/82.htm>

NOTE: Your children's safety is our #1 concern. Observing the following statements and warnings reduces the likelihood of serious injury. Please review these safety rules regularly with your children.

WARNING:

Children must NOT use this play set until it has been completely assembled and inspected by an adult to ensure it has been properly installed.

Gorilla Playsets
190 Etowah Industrial Court
Canton, GA. 30114



Timber Shield Post Option
BOXES: 380, 1100

Model: 382

(BOXES: 380-1, 380-2, 320,
382 & SLIDE BOX)

REV: 3.20.2017

TABLE OF CONTENTS

Safety Guidelines.....	Pages 3-6
Leveling Fort, General Information and Definitions.....	Pages 6-8
How to Install T-nuts, Board Identification, Predrill Lag Screw Directions and Swing Beam Loading.....	Pages 9-13
Site Plan, Required Tool List and Kit Contents.....	Pages 14-15
Hardware, Lumber and Accessory Checklists.....	Pages 16-30
Adding T-Nuts to Corner Posts and Sandbox Boards.....	Steps 1-4
Framing Fort.....	Steps 5-8
Attaching Deck Spacers.....	Step 9
Rock Wall Assembly and Attaching Rock Wal.....	Steps 10-15
Attaching Deck Stringer, Deck Boards and Angle Supports.....	Steps 16-18
Ladder Assembly and Mounting Ladder.....	Steps 19-21
Panel Boards, Panel Slats and Center Post.....	Steps 22-24
Swing Beam Assembly.....	Steps 25-33
Attaching Arched Side Top Boards.....	Step 34
Assembling Roof, Chimney and Dormers.....	Steps 35-38
Plastic Sunbursts and Sunburst Filler Board installation.....	Steps 39-40
Attaching Window Supports and Window Assembly.....	Step 41
Attaching Safety Board.....	Step 42
Attaching Accessories and Ground Stakes.....	Steps 43-51
Install Name Plate.....	Step 52
Appendix: Chimney and Dormer, Monkey Bar Instructions.....	Page 84

**PLEASE READ OWNER'S MANUAL CAREFULLY
BEFORE STARTING ASSEMBLY!**

Safety and Maintenance Tips for Your New Play Set:

NOTE: Your children's safety is our #1 concern. Observing the following statements and warnings reduces the likelihood of serious or fatal injury. Please review these safety rules regularly with your children.

- This play set is designed for the use of 4 occupants who have a combined weight not exceeding 800 pounds on the elevated floor, 3 occupants who have a combined weight of 425 pounds on the swing area, for a total Unit capacity of 7 occupants who have a combined weight of 1225. (This weight does not include any picnic table area(s).)
- On-site adult supervision is required.
- Teach children not to walk close to, in front of, behind, or between moving swings or other moving playground equipment.
- Teach children to sit in and never stand on swings
- Teach children not to twist the chains and ropes and not to loop them over the swing beam, since this may reduce the strength of the chain or rope.
- Teach children not to jump from swings or other playground equipment in motion.
- Teach children not to push empty seats. The seat may hit them and cause serious injury.
- Teach children to sit in the center of the swings with their full weight on the seats.
- Teach children not to use the equipment in a manner other than intended.
- Teach children to always go down slides feet first. Never slide headfirst.
- Teach children to look before they slide to make sure no one is at the bottom.
- Teach children to never run up a slide, as this increases their chances of falling.
- The parents should have the children dress appropriately with well-fitting shoes. Loose clothing such as scarves and ponchos should not be worn. Always take off, tie up or tuck in cords and drawstrings on children's clothing. These things can get caught on playground equipment and strangle a child.
- Teach children not to climb when the equipment is wet.
- Teach children to never jump from a fort deck. They should always use the ladder, ramp or slide.
- Teach children to never crawl or walk across the top of monkey bars or swing beam.
- Teach children to never crawl on top of a fort roof or on the outside of a tube slide.
- Verify that any suspended climbing ropes, chains, or cables are secured at both ends and that they cannot be looped around an adult hand.
- Teach children not to attach items to the playground equipment that are not specifically designed for use with the equipment, such as, but not limited to, jump ropes, clothesline, pet leashes, cables and chain as they may cause a strangulation hazard.
- Teach children to never wrap their legs around swing chain.
- Teach children to never slide down the swing chain.
- Teach children to remove their bike or other sports helmet before playing on the playground equipment.
- Teach children to NEVER look at the sun or other bright light through any accessory such as but not limited to a telescope, periscope or binoculars.

WARNING: Children must NOT use this play set until it has been completely assembled and inspected by an adult to insure it has been properly installed and the swing beam legs are anchored.

Safety and Maintenance Tips for Your New Play Set: (continued)

Playgrounds should be inspected on a regular basis. If any of the following conditions are noted, they should be removed, corrected, or repaired immediately to prevent injuries.

- Hardware that is loose, worn or that has protrusions or projections.
- Exposed equipment footings.
- Scattered debris, litter, rocks, or tree roots.
- Splinters, large cracks, and decayed wood components.
- Deterioration and corrosion on structural components, which connect to the ground.
- Missing or damaged equipment components, such as handholds, guardrails, swing seats.
- Check all nuts and bolts twice monthly during the usage season and tighten as required. (But not so tight that you crack the wood) We recommend you check the swing beam and hardware often due to wood expansion and contraction. It is particularly important that this procedure be followed at the beginning of each season.
- Remove plastic swing seats and take indoors or do not use when the temperature drops below 32°F. Reinstall swings and other swing equipment at the beginning of the usage season.
- Oil all metallic moving parts monthly during the usage period.
- Check all coverings for bolts and sharp edges twice monthly during usage season to be certain they are in place. Replace when necessary. It is especially important to do this at the beginning of each new season.
- Check swing seats, ropes, cables and chains monthly during usage season for evidence of deterioration. Replacement should be made of any swing seat that has developed cracks in the plastic seats. Ropes, cables and chains should be removed and replaced if excessive wear is found. Contact us for warranted replacement parts.
- Swing chains, rings, ropes, etcetera should always be fastened to a rotating swing hanger. NEVER attach a chain, ring, rope, etcetera to a stationary hanger such as but not limited to an eye bolt. Severe wear could occur leading to an injury.
- For rusted areas on metallic members such as monkey bars, hand supports brackets, etc.; sand and repaint, using a non lead-based paint meeting the requirements of Title 16 C.F.R. Part 1303. These requirements are available at: <http://www.cpsc.gov/>
- Inspect wood parts monthly. The grain of the wood sometimes will lift in the dry season causing splinters to appear. Light sanding may be necessary to maintain a safe playing environment. If you are treating your play set with stain regularly, it will help prevent severe checking/splitting and other weather damage.
- Once or twice a year, depending on your climate conditions, you must apply some type of protection (sealant) to the wood of your unit. Prior to the application of sealant, lightly sand any “rough” spots on your set. Please note this is a requirement of your warranty.
- Creating and maintaining the play set on a level location is very important. As your children play, your play set will slowly dig its way into the soil, and it is very important that it settles evenly. Make sure the play set is level and true once each year or at the beginning of each play season.
- Twice a month during the usage season rake the playground protective surfacing materials to prevent compaction and maintain appropriate depths. Replace the protective surfacing materials as required.
- Disposal Instructions: When the play set is no longer desired, it should be disassembled and disposed of in such away that no unreasonable hazards will exist at the time the play set is discarded.

Play Set Surfacing Recommendations:

Below are some of the recommendations that the U.S. Consumer Product Safety Commission (CPSC) offers from its Handbook for Public Playground Safety. The guide can be downloaded in full at www.cpsc.gov/PageFiles/122149/325.pdf

1. Protective Surfacing - Since almost 60% of all injuries are caused by falls to the ground, protective surfacing under and around all playground equipment is the most critical safety factor on playgrounds.

Certain manufactured synthetic surfaces also are acceptable; however, test data on shock absorbing performance should be requested from the manufacturer.

Asphalt and concrete are unacceptable. They do not have any shock absorbing properties. Similarly, grass and turf should not be used. Their ability to absorb shock during a fall can be reduced considerably through wear and environmental conditions.

Certain loose-fill surfacing materials are acceptable. Surfacing materials are acceptable, such as the types and depths shown in the table.

Fall Heights and Materials

Type Of Material	6 in. depth	9 in. depth	12 in. depth
Double-Shredded bark mulch	6' Fall Height	10' Fall Height	11' Fall Height
Wood Chips	6' Fall Height	7' Fall Height	12' Fall Height
Fine Sand	5' Fall Height	5' Fall Height	9' Fall Height
Shredded Tires*	10-12' Fall Height	N/A	N/A
Fine Gravel	6' Fall Height	7' Fall Height	10' Fall Height

*This data is from tests conducted by independent testing laboratories on a 6-inch depth of uncompressed shredded tire samples produced by four manufacturers. The tests reported critical heights, which varied from 10 feet to greater than 12 feet. It is recommended that persons seeking to install shredded tires as a protective surface request test data from the supplier showing the critical height of the material when it was tested in accordance with ASTM F1292.

It should be recognized that all injuries due to falls cannot be prevented no matter what surfacing material is used.

2. Fall Zones - A fall zone, covered with a protective surfacing material, is essential under and around equipment where a child might fall. This area should be free of other equipment and obstacles onto which a child might fall. Stationary climbing equipment and slides should have a fall zone extending a Minimum of 6' in all directions from the perimeter of the equipment.

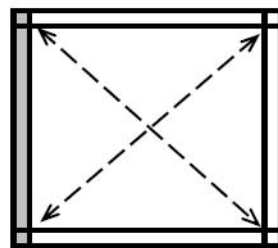
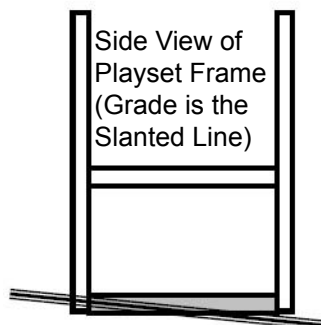
Swings should have a fall zone extending a minimum of 6' from the outer edge of the support structure on each side. The fall zone in front and back of the swing should extend out a minimum distance of twice the height of the swing as measured from the ground to the top of the swing support structure.

LEVELING YOUR FORT DURING ASSEMBLY

- Complete the steps which will be the basic frame of the fort. {i.e. four corner posts with base (sand box boards) and deck supports}
- Position in the most level area chosen for the play set, keeping in mind the location and size of the swing beam, ladder, slides, etc. that extend off the fort.
- Once the frame is in the final position, check for vertical and horizontal levelness to determine which side(s) will need to be dug into the ground to level the play set.
- With a shovel, score the ground around the outside edges of the sandbox boards on the 'high' side of the fort. This is the area that will be dug in. Make sure to score deep enough; the scored lines will be your digging template.
- Push the frame off and away from the scored area, far enough to dig and remove dirt to reach the appropriate depth.
- Dig a channel along the scored line(s) for the base of the fort (corner post and sandbox boards) to rest into. Dig the channel(s) to the same level depth. The bottom of the channel(s) should be level to each other so your frame doesn't teeter or rock because the channel(s) are uneven.
- Once you have removed enough grass and dirt, slide/push the frame into the channel(s). Place a level on the vertical and horizontal boards of the frame to determine if enough soil, or too much, was removed.
- Repeat this process until the basic frame is plumb and level and in its final position before completing the rest of the assembly.
- Measure to make sure fort is square.

Important: if you require a channel depth of more than 6", then we recommend you have your play set area professionally graded before completing assembly.

Example Play area:



The diagonal measurements should be the same from corner post to corner post. If not, adjust corner posts so that the distance is equal.

■ = Area to be scored and channeled for levelness

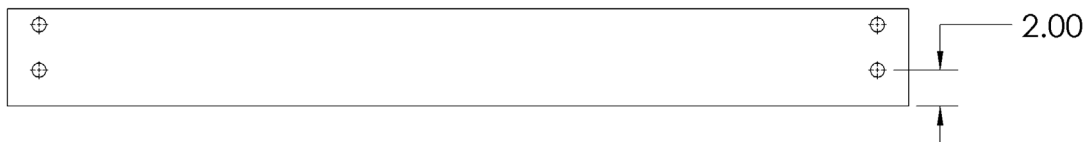
General Info to Review Before Installation

- Depending on your experience, assembly of the playset can take as little as 6 hours up to 24 hours, depending on size, after inventory of parts; therefore, we recommend you set aside a full two days for assembly.
- Identify all of the parts for your play set. Empty each box and lay out boards so you can see each part. Your instruction book will have detailed drawings that will make it easy for you to recognize individual parts. Keep all hardware and metal parts separate from wooden pieces.
- After everything is laid out, check carefully to ensure all parts are present. Make sure there are no broken boards.
- Find an area to sort your hardware. It is best to open the hardware on a solid surface so that you do not lose any pieces in the grass. This will save time and familiarize you with all the different pieces in the hardware bag.
- Important note: Wood has some natural defects such as knots, surface cracks, etc... We reject parts that are structurally defective. We use a high quality lumber in our structures; however, you should inspect each part for splinters or rough spots and sand them smooth to prevent injury.
- After familiarizing yourself with all of the components, read all instructions thoroughly. Reading instructions after you have studied the parts will help you understand the installation process, and help to eliminate unnecessary mistakes.
- Pay close attention to the diameter and length of each bolt and screw.
- Never tighten hardware completely at first. It helps to have some adjustment for bolt alignment while you are attaching parts together. After everything is square, tighten each joint.
- After the main unit is assembled it is critical that the floor is level and square. If the main frame is not level, the walls and floor will be out of square.
- After you complete installation, make sure every bolt, screw, and nut is tight, and every board is secure. Wood will expand and contract with the seasons.
- Place the set on level ground, not less than 6 feet from any structure or obstruction such as a fence, garage, house, overhanging branches, laundry lines, or electrical wires.

This page is a list of definitions and explanations used throughout our instructions to aid you in the assembly of your play set.

Offset Holes- Throughout the installation procedures we will refer to parts with offset holes. This refers to the orientation of the holes on the board. An offset hole is one that is closer to one side than it is the other or in other words, it is not centered on the board. In the procedures you will be instructed to attach the boards with the holes offset up or with the holes offset down. This refers to which side of the board the hole/holes should be closer to. Offset holes up= hole/holes will be closer to the top of the board. Offset holes down= hole/holes will be closer to the bottom of the board. Note: some parts do not have offset holes, but instead the holes are on center. Therefore there will not be any reference on how to offset these parts.

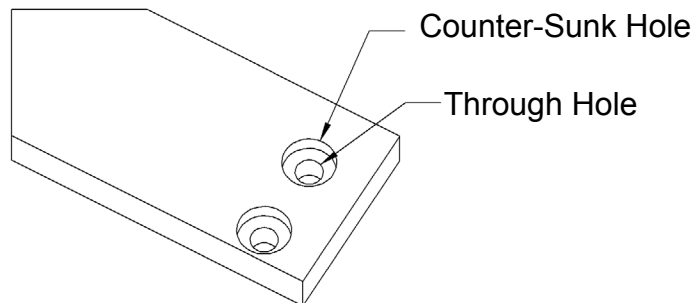
EXAMPLE OF OFFSET HOLES UP



EXAMPLE OF OFFSET HOLES DOWN



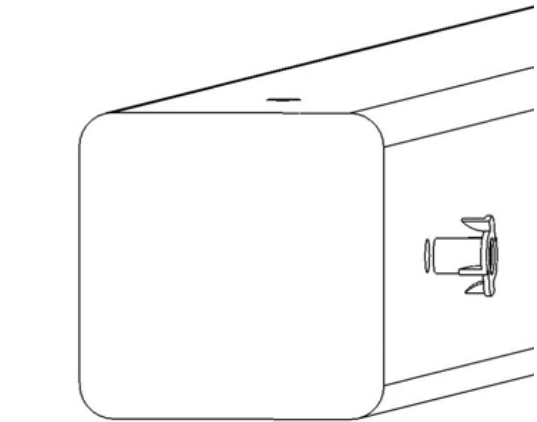
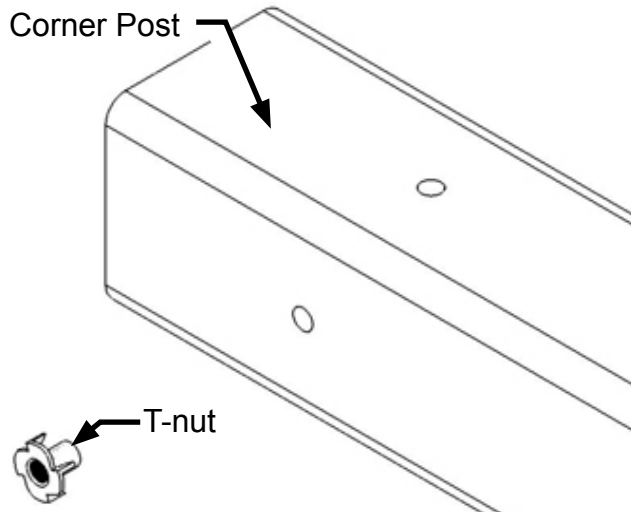
Counter-sunk holes - Many of the parts that will be used have counter-sunk holes. A counter-sunk hole is one that surrounds one side of a through hole, but does not extend through the wood it's self. When using a counter-sunk hole the bolt will be inserted through the through hole and either the head of the bolt and washer or nut and washer will occupy the counter sunk hole.



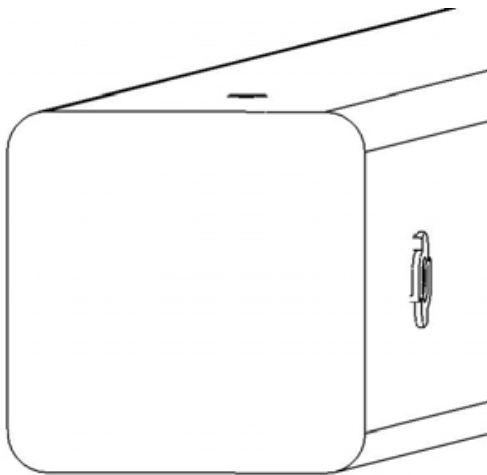
Lag Screws- Lag screws are used in the construction of our play sets to enhance the structural integrity of the unit. There will not be predrilled holes in the post for lag screw installation. Lag screws are self-tapping, though if you are using a manual socket wrench it may be advantageous to pre-drill a hole first. Instructions for this are provided on a separate page in the front of the manual. Be sure to tighten the lags completely when driving them in by hand. Power tools such as a heavy duty impact driver or large power drill should have enough torque to drive in the lag screws, but make sure not to over tighten as this can cause the threads to “strip out” in the post.

Common Installation Practice Installing T-nuts

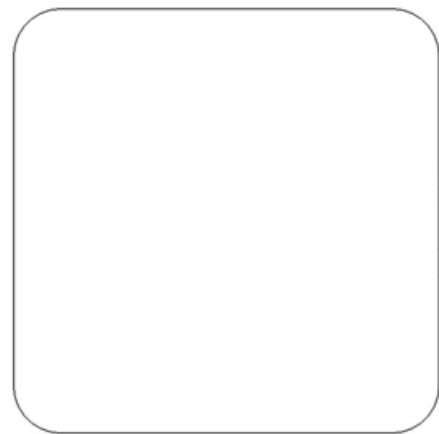
When installing T-nuts into the wood, use a smooth faced hammer to set the face of the T-nut flush into the wood.



Insert the barrel of the T-nut into the predrilled hole. Using a smooth faced hammer, drive the T-nut until the face of the T-nut is flush to the wood.

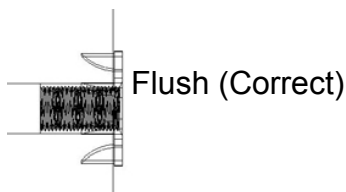


This picture shows the T-nut inserted and installed flush to the wood.



This picture shows an end view of the T-nut installed flush to the wood.

WARNING: DO NOT EMBED THE TOP OF THE T-NUT INTO THE FACE OF THE WOOD



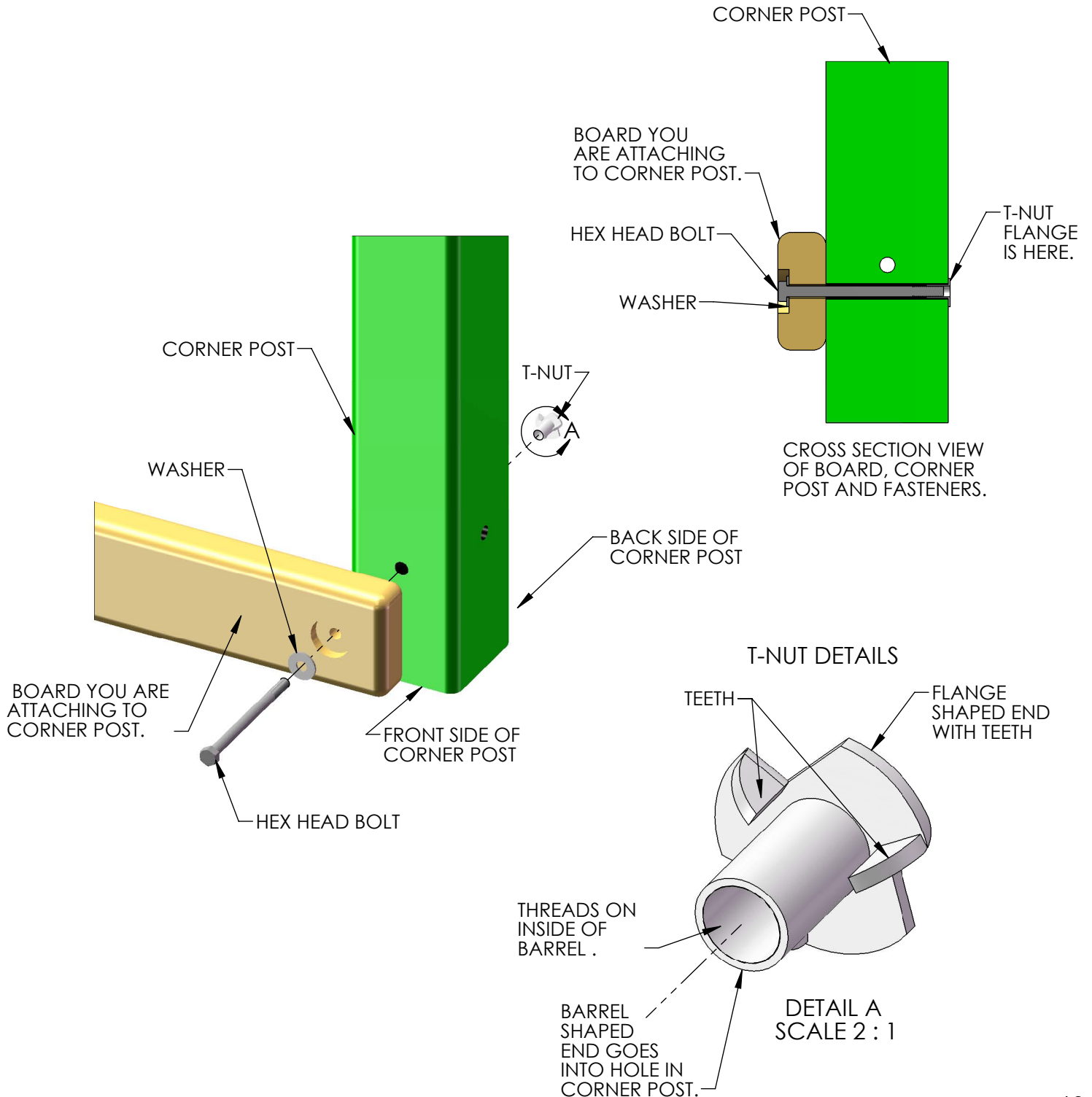
Cross Section end view, you are looking at an X-ray view of the post and T-nut. The barrel of the T-nut is in the corner post the line is the face of the wood.

HOW A T-NUT WORKS

THE FIRST STEP IN OUR ASSEMBLY INSTRUCTIONS IS TO INSERT T-NUTS INTO THE CORNER POSTS. A T-NUT IS A FASTENER WHICH IS THREADED ON THE INSIDE AND IT FUNCTIONS JUST LIKE A STANDARD HEX NUT. YOU INSERT THE T-NUTS INTO THE PREDRILLED HOLES IN THE CORNER POSTS.

THE T-NUT HAS A BARREL SHAPED END WHICH GOES INTO THE HOLE IN THE CORNER POST. THE T-NUT ALSO HAS AN FLANGE SHAPED END WITH TEETH. THE TEETH PENETRATE INTO THE CORNER POST WOOD TO PREVENT THE T-NUT FROM SPINNING WHEN YOU TIGHTEN THE HEX HEAD BOLT.

SHOWN BELOW YOU WILL SEE THE T-NUT IS HAMMERED INTO THE CORNER POST ON THE BACK SIDE. THE BOARD IS BEING ATTACHED ON THE FRONT SIDE OF THE CORNER POST.

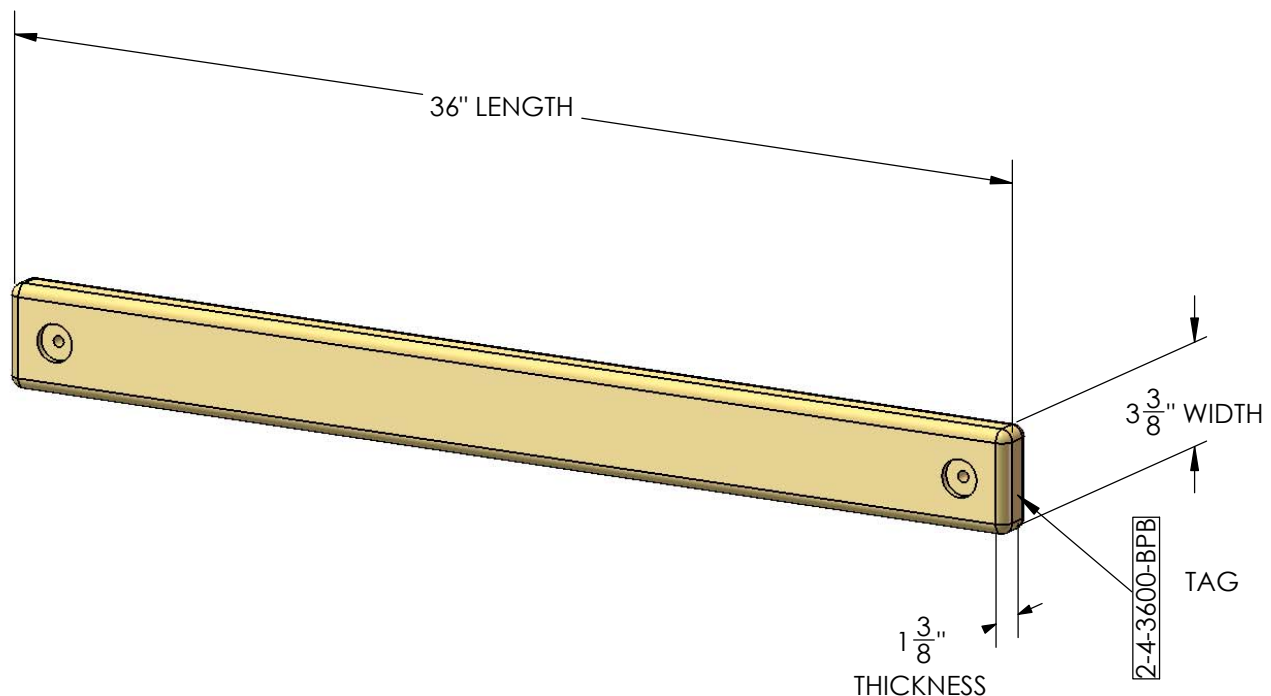


BOARD IDENTIFICATION

1. On the end of each board there should be a small white tag that is stapled or stuck into place. Remove the staples and/or tag after the board is installed.
2. This white identification tag displays the thickness, width, length and an abbreviated description of the part.

Example: a tag reads "2-4-3600-BPB"

- The 2 is the thickness of the board. "Nominal Lumber" at a home center will measure 1-1/2" for the thickness. We "remill" that lumber to 1-3/8" thick.
- The 4 is the width of the board. "Nominal Lumber" at a home center will measure 3-1/2" for the width. We "remill" that lumber to 3-3/8" wide.
Note: sometimes the width will be smaller than 3-3/8" because:
A) We need the width of the part to fit into a certain area of the play set.
B) We need the designation to be simple.
- The 3600 is the length of the board. It means the board is 36 inches long. If the code were 3625 then the board is 36-1/4" in length.
- The "BPB" abbreviation stands for "Bottom Panel Board". The wood part bill of materials in the instructions has a description which will match the abbreviation closely.
- In the event that there is no tag on a wood part measure the part then:
A) Use the measurements and compare them to the wood list at the front of the instructions to identify it.
B) Look at the holes on the wood part and compare them to the pictures in the wood list.
C) Look to see if the holes are centered or if they are offset up or offset down.
This should help you identify any parts that have missing tags. In the event that you cannot identify a board please email us for assistance.



PRE-DRILL LAG SCREW DIRECTIONS

Pre-drilling holes for lag screws will make it easier to drive the screws in by hand. "Jobber" length drill bits are available in sizes that are longer than standard drill bits and those are ideal for the job. When using the drill bit you will have to "spot" drill the post and then remove the board you are attaching to finish drilling the hole.

Pay attention to the *DIAMETER* of the lag screw you are installing. Your playset may come with two different diameter lag screws. Each diameter will require a different size drill bit. When installing lag screws **DO NOT OVERTIGHTEN.**

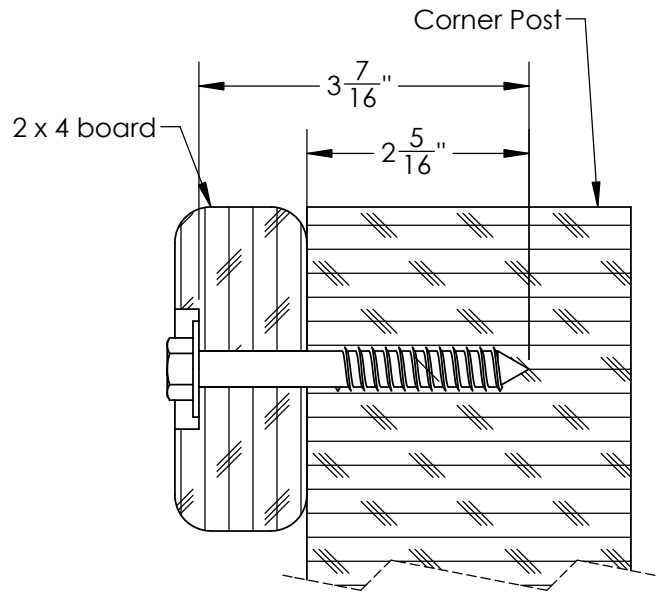
LAG SCREW DIAMETER	DRILL BIT SIZE
5/16" DIAMETER	9/64"
3/8" DIAMETER	11/64"

Example: 3/8" diameter x 3-1/2" lag screw

This would be like the 2 x 4 board installation shown below. Place the board into position. Spot Drill through the holes in the 2 x 4 board into the corner posts with an 11/64" drill bit. Remove the 2 x 4 board. Continue to drill the holes to a total depth of 2-5/16" as shown at the right. Install the 2 x 4 board.

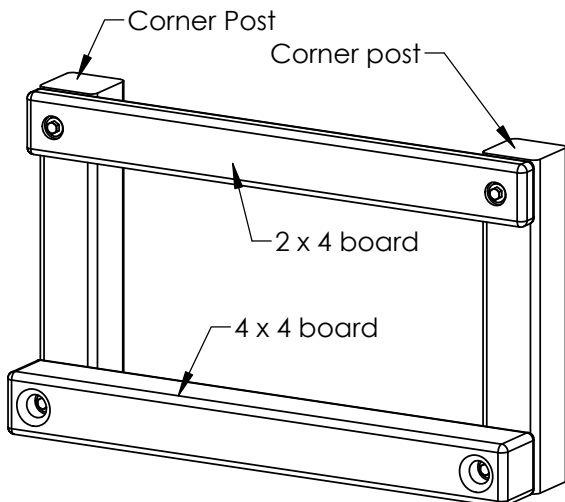
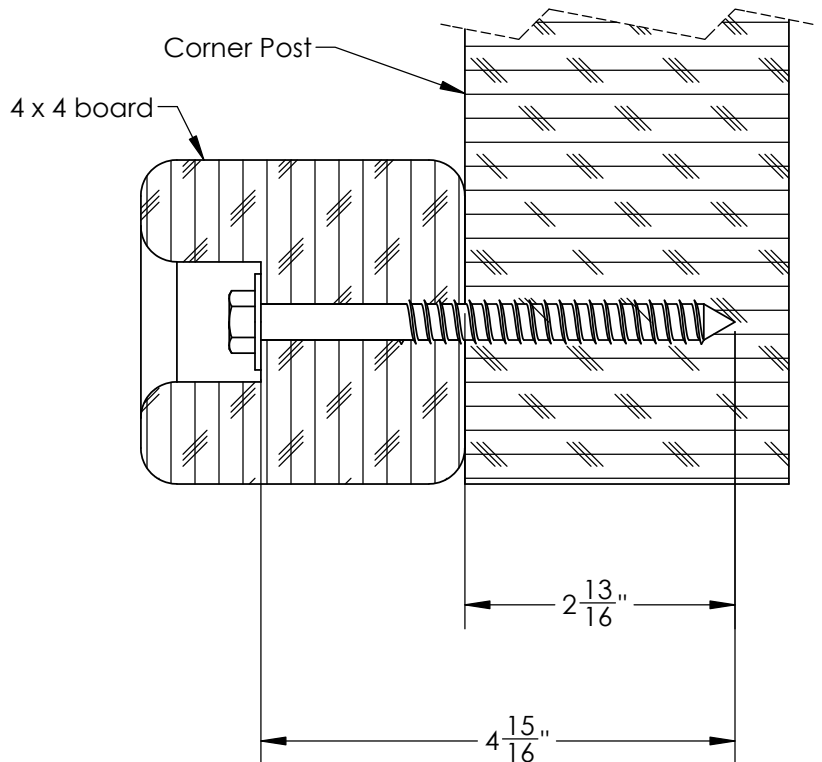
Example 5/16" diameter x 3-1/2" lag screw

This would be like the 2 x 4 board installation shown below. Place the board into position. Spot Drill through the holes in the 2 x 4 board into the corner posts with an 9/64" drill bit. Remove the 2 x 4 board. Continue to drill the holes to a total depth of 2-5/16" as shown at the right. Install the 2 x 4 board.



Example 3/8" diameter x 5" lag screw

This would be like the 4 x 4 board installation shown below. Place the board into position. Spot drill through the holes in the 4 x 4 board into the corner posts with an 11/64" drill bit. Remove the 4 x 4 board. Continue to drill the holes to a total depth of 2-13/16" as shown at the right. Install the 4 x 4 board.



SWING BEAM LOADING

Weight Limits for Accessories:

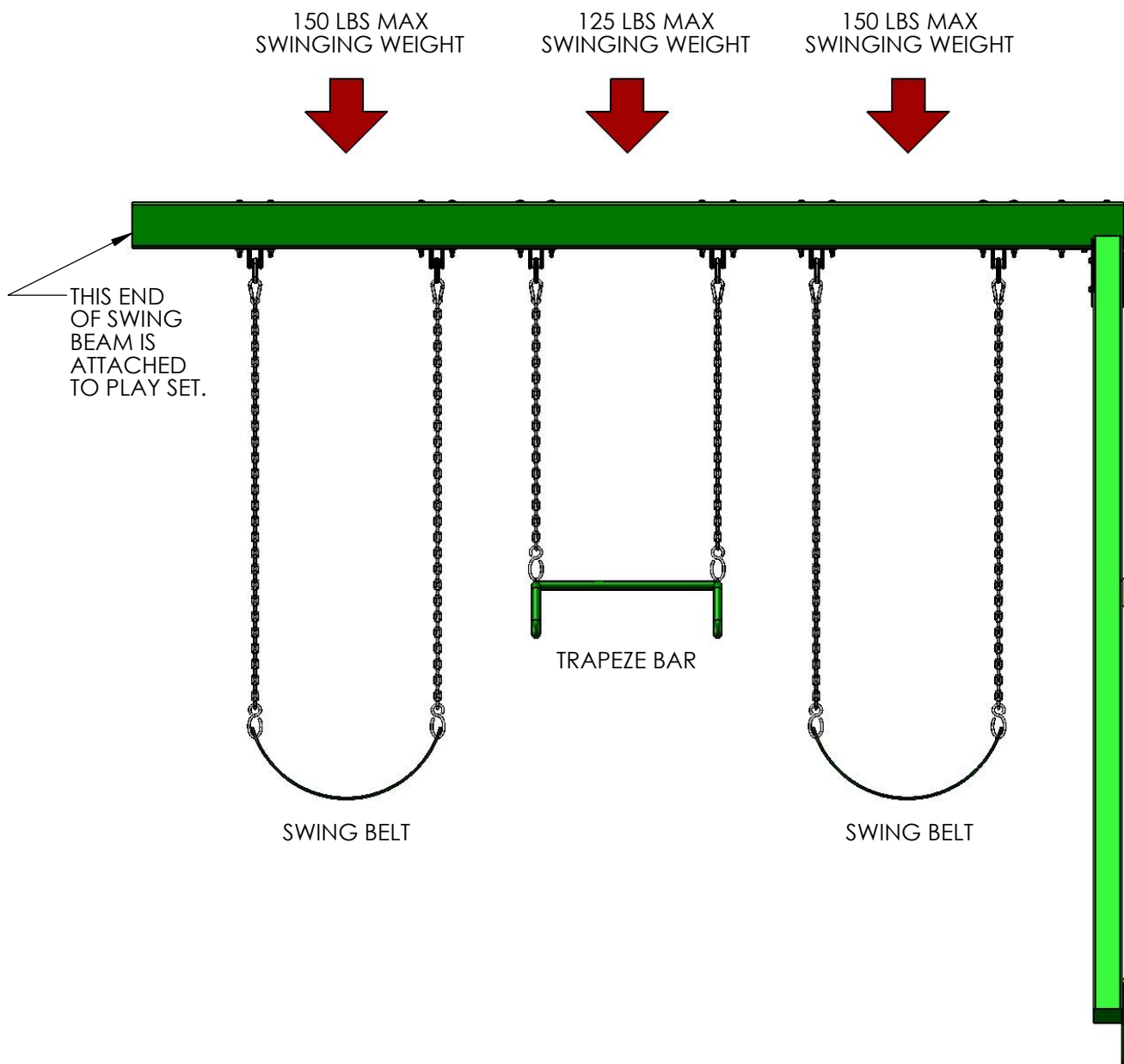
The weight limit for a Swing Belt is 225 lbs. (Although 150lbs is the maximum recommended swinging weight capacity for the swing position.)

The weight limit for a Trapeze Bar is 125 lbs.

Maximum Allowable swinging weight for a three position swing:

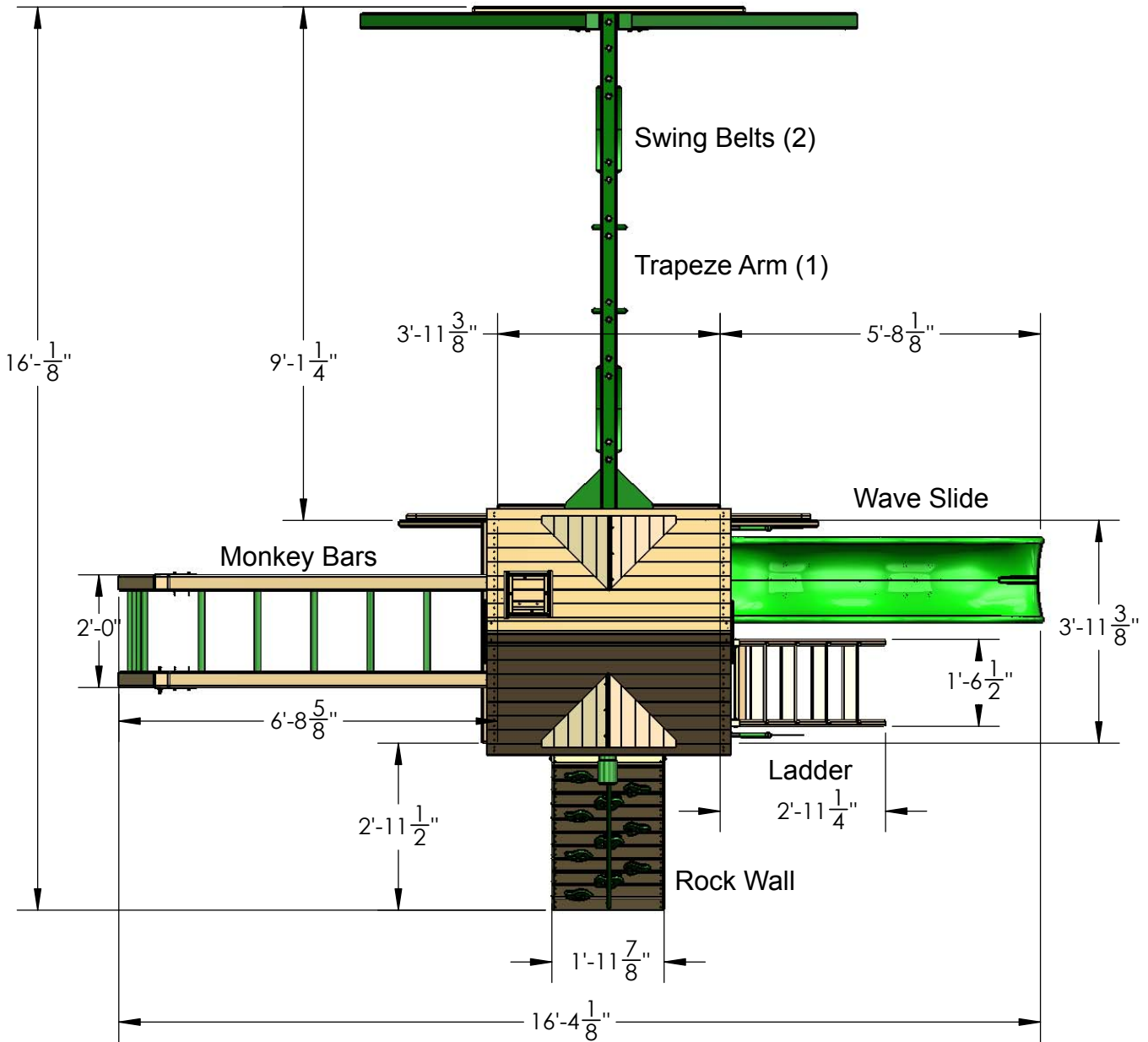
- 1) The maximum allowable swinging weight at each Swing Belt position is 150 lbs.
- 2) The maximum allowable swinging weight at the Trapeze position is 125 lbs.
- 3) The MAXIMUM SWING BEAM LOAD IS 425 lbs.

MAXIMUM SWING BEAM LOAD IS 425 LBS.



Please familiarize yourself with the manual, parts/components and general construction process of your new playset before getting started.

SITE PLAN:



Playset height: 10 feet - 3 inches
 Swing Beam Height: 7 feet - 2-3/4 inches
 Deck Height: 4 feet

Approximate assembly time: 7-9 hours

(6) foot unobstructed safety perimeter around playset recommended

REQUIRED TOOL LIST:

- Standard or Cordless Drill w/ Phillips Bit (#2 square bit provided)
- Drill Bits 1/8", 3/8", 9/64", 11/64".
- 1/2" Wrench and Socket
- 1/2" Deep Well Socket
- 9/16" Deep Well Socket
- 9/16" Wrench and Socket
- Level
- Tape Measure
- Extension Cord (if using standard drill)
- Hammer
- Pencil
- Locking Pliers (Vise Grips)
- Shovel

KIT CONTENTS

Swings, Slides, Accessories:

- (Qty) Description
- (1) 8ft. Wiki Wave Slide
- (2) Swingbelts w/ Chains
- (1) Trapeze Swing
- (10) Rock Wall Grips (assorted colors)
- (1) Telescope
- (2) Safety Handle
- (1) Chalk Board
- (2) Plastic Sunburst 07-0028-G
- (2) Plastic Dormer Window 07-0029-G
- (2) Plastic Dormer Sunburst 07-0031-G
- (2) Ground Stake
- (1) Tic Tac Toe
- (1) Steering Wheel
- (2) 16" Metal Safety Handles

Fort Hardware:

see following pages

Swing Beam Hardware:

see following pages

Wood Components:

see following pages

11-0083
 380 Hardware
 PAGE 1 OF 2
 REV: A 10/20/2016 S.O.

#14 X 1-1/4"
 PAN HEAD
 SCREW
 QTY: 3



#8 X 1-1/4"
 WOOD SCREW
 QTY: 15



#8 X 1-1/2"
 WOOD SCREW
 QTY: 106



#8 X 2"
 WOOD SCREW
 QTY: 191



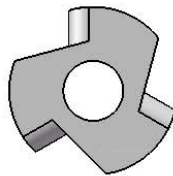
#8 X 2-1/2"
 WOOD SCREW
 QTY: 40



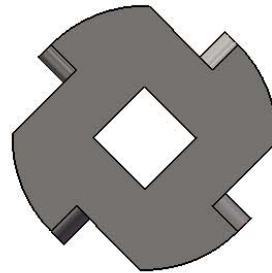
#8 X 3"
 WOOD SCREW
 QTY: 10



5/16 X 4-1/2"
 HEX BOLT
 QTY: 32



5/16" TEE NUT
 QTY: 43



TORQUE WASHER
 QTY: 17



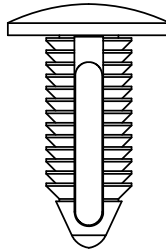
3/8" LOCK NUT
 QTY: 19



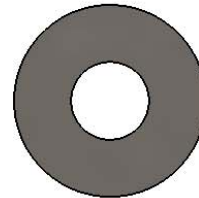
5/16" X 2-1/2"
 HEX BOLT
 QTY: 3



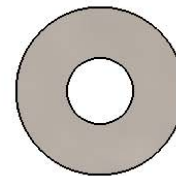
5/16 X 1-1/2"
 HEX BOLT
 QTY: 8



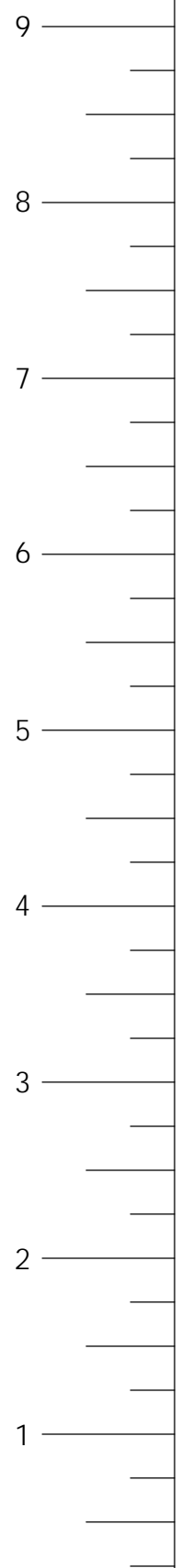
3/8" ϕ X 1-1/8"
 BLACK PLASTIC
 PLUG
 QTY: 4



3/8" WASHER
 QTY: 31



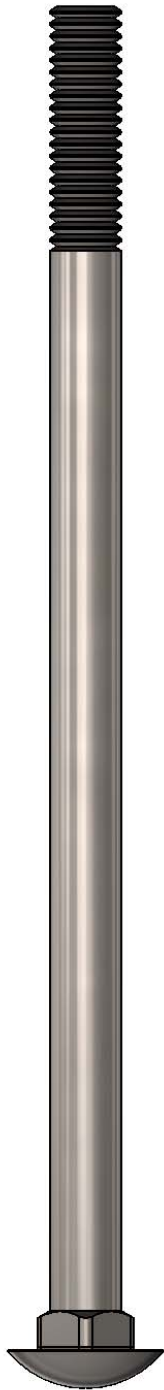
5/16" WASHER
 QTY: 68



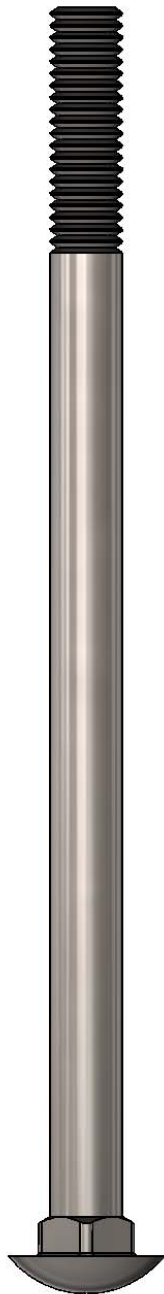
USE THE RULER TO THE RIGHT TO MEASURE YOUR BOLTS AND SCREWS. PICTURE VIEWS SHOWN ABOVE ARE 1:1 SCALE AND CAN BE USED TO MATCH BOLT AND SCREW SIZES.



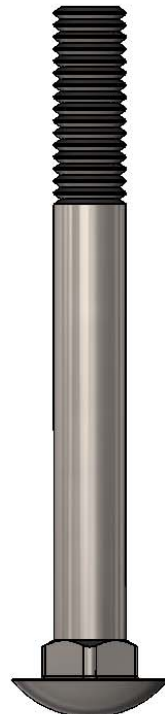
3/8 x 9"
 CARRIAGE BOLT
 QTY: 1



3/8 x 7"
 CARRIAGE BOLT
 QTY: 12

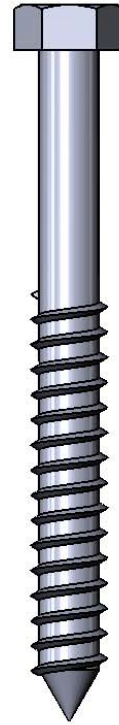


3/8 x 6-1/2"
 CARRIAGE BOLT
 QTY: 4

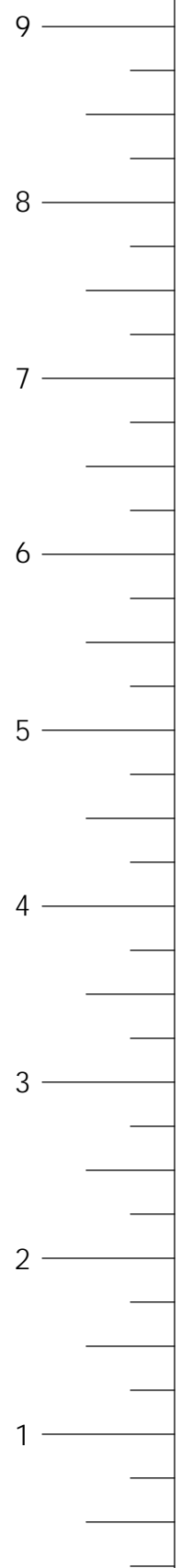
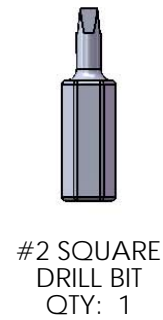
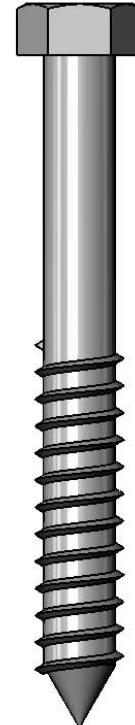


3/8 x 3-1/2"
 CARRIAGE BOLT
 QTY: 2

5/16" X 3-1/2"
 HEX LAG
 SCREW
 QTY: 22



3/8 X 3-1/2"
 HEX LAG
 SCREW
 QTY: 12



USE THE RULER TO THE RIGHT TO MEASURE YOUR BOLTS AND SCREWS. PICTURE VIEWS SHOWN ABOVE ARE 1:1 SCALE AND CAN BE USED TO MATCH BOLT AND SCREW SIZES.

#10 X 2" SELF
DRILLING SCREW
QTY: 18

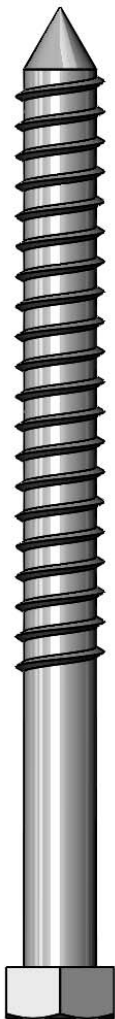


END OF SCREW
LOOKS SPLIT
SIMILAR TO A
DRILL BIT.

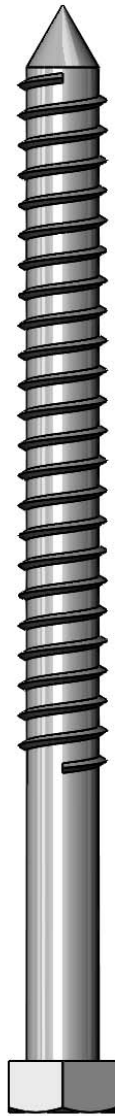
#14 x 1-1/4"
PAN HEAD SCREW
QTY: 4



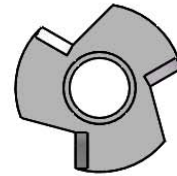
5/16" x 3-1/2"
HEX BOLT
QTY: 8



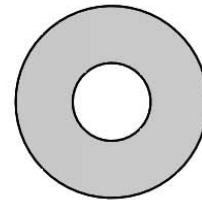
3/8" X 5"
HEX LAG SCREW
QTY: 2



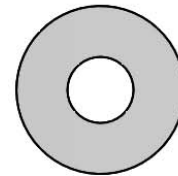
3/8" x 5-1/2"
HEX LAG SCREW
QTY: 2



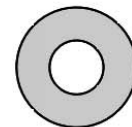
5/16" TEE NUT
QTY: 8



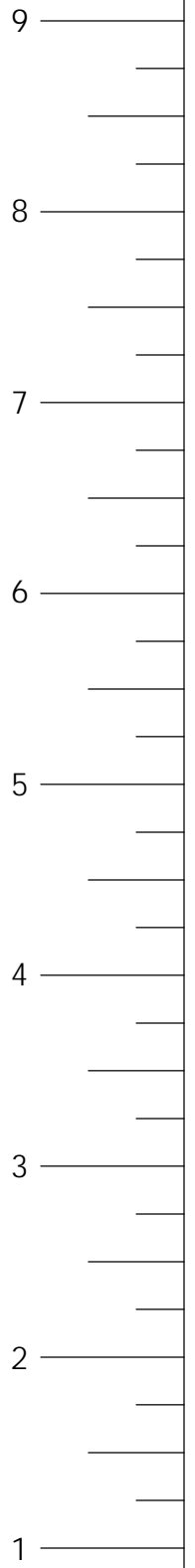
3/8" WASHER
QTY: 4



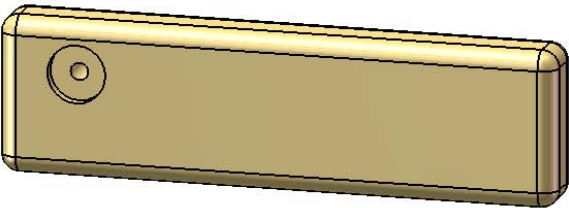
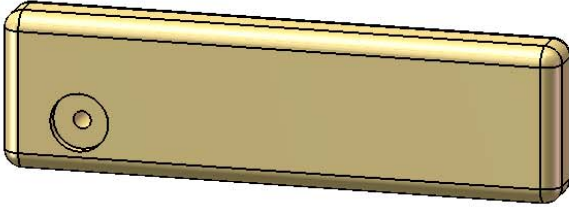
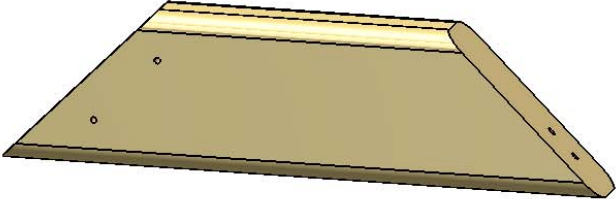
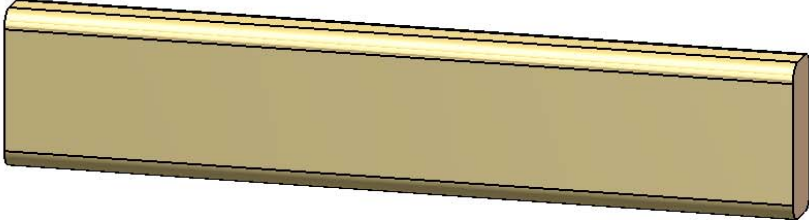
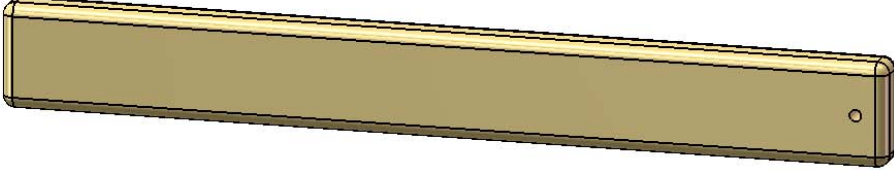
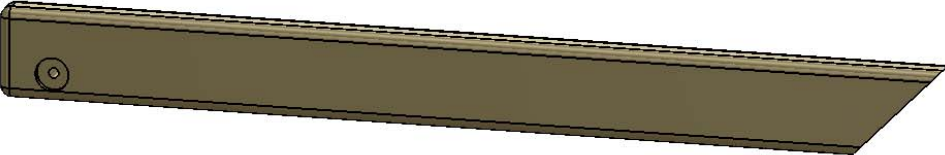
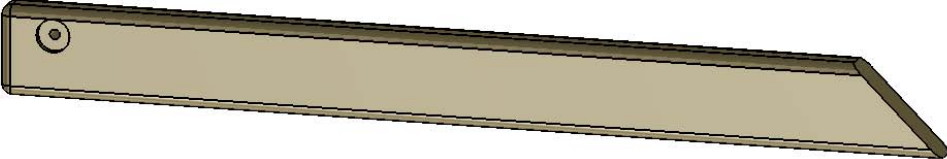
5/16" WASHER
QTY: 8



1/4" WASHER
QTY: 4



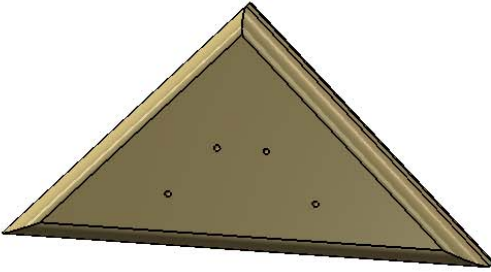
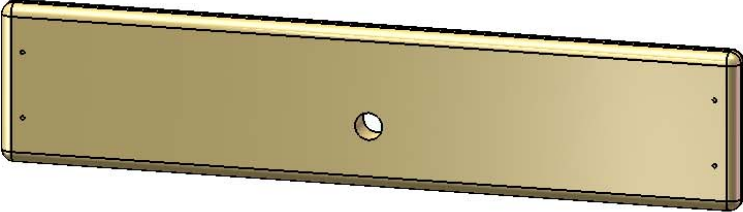
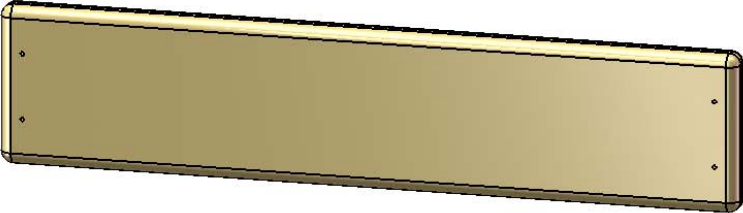
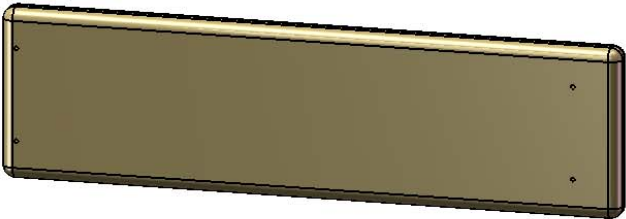
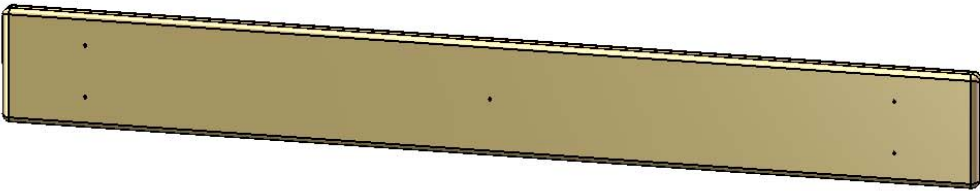

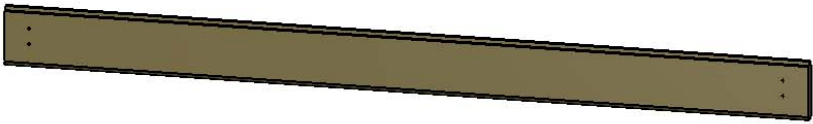

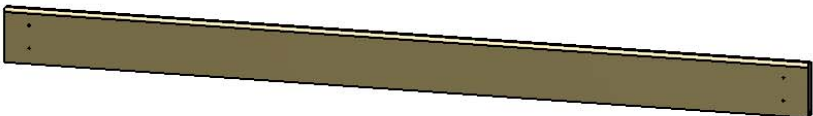
USE THE RULER TO THE RIGHT TO MEASURE YOUR BOLTS AND SCREWS. PICTURE VIEWS SHOWN ABOVE ARE 1:1 SCALE AND CAN BE USED TO MATCH BOLT AND SCREW SIZES.

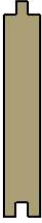
380	PICTURE	DESCRIPTION	QTY.
		2 X 4 X 12" BOTTOM PANEL BOARD RIGHT 2-4-1200-BPBR	1
		2 X 4 X 12" BOTTOM PANEL BOARD LEFT 2-4-1200-BPBL	1
		2 X 4 X 13" ANGLE SUPPORT 2-4-1300-AS	8
		2 X 4 X 17" LADDER STEP 2-4-1700-LS	4
		2 X 4 X 28-5/8" CENTER POST 2-4-2863-CP	1
		2 X 4 X 35-1/2" ROOF SUPPORT LEFT 2-4-3550-RSL	2
		2 X 4 X 35-1/2" ROOF SUPPORT RIGHT 2-4-3550-RSR	2

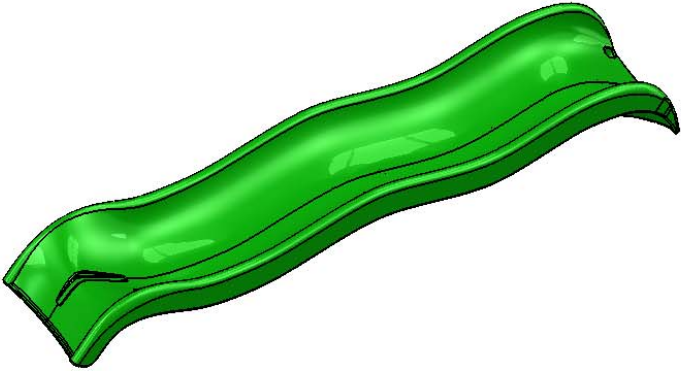


PICTURE	DESCRIPTION	QTY.
	<p>2 X 4 X 39-1/2" SUNBURST FILLER BOARD 2-4-3950-SFB</p>	<p>1</p>
	<p>2 X 4 X 47-3/8" FACE BOARD 2-4-4738-FB</p>	<p>2</p>
	<p>2 X 4 X 47-3/8" PANEL AND DECK SUPPORT 2-4-4738-PDS</p>	<p>9</p>
	<p>2 X 4 X 47-3/8" ROCKWALL SIDE TOP PANEL BOARD 2-4-4738-RWSTPB</p>	<p>1</p>
	<p>2 X 4 X 47-3/8" STRINGER 2-4-4738-S</p>	<p>1</p>
	<p>2 X 4 X 48" FORT SUPPORT 2-4-4800-FS</p>	<p>2</p>
	<p>2 X 4 X 57" LADDER LEFT SIDE 2-4-5700-LLS</p>	<p>1</p>

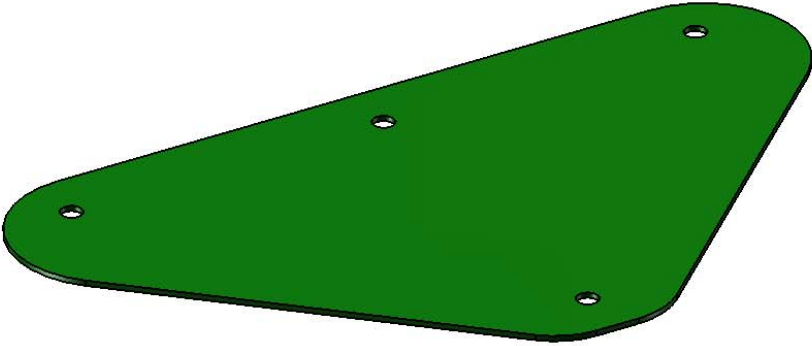
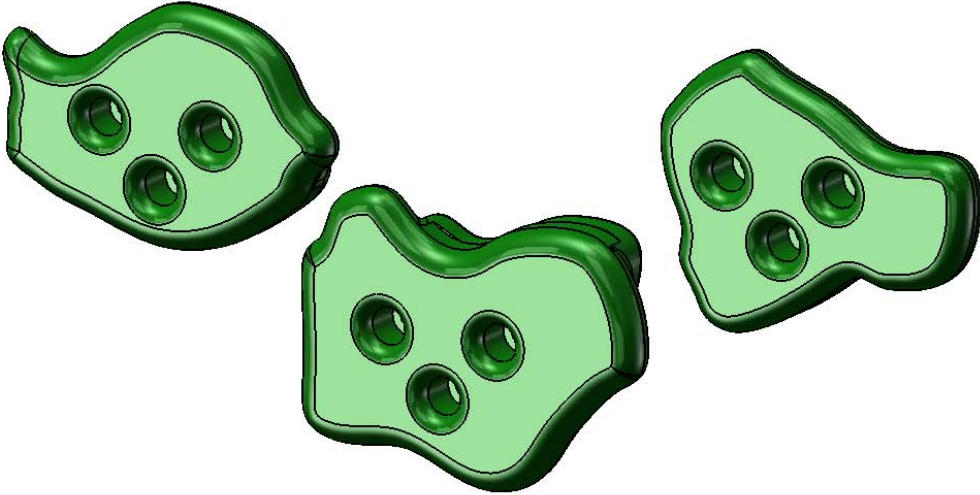
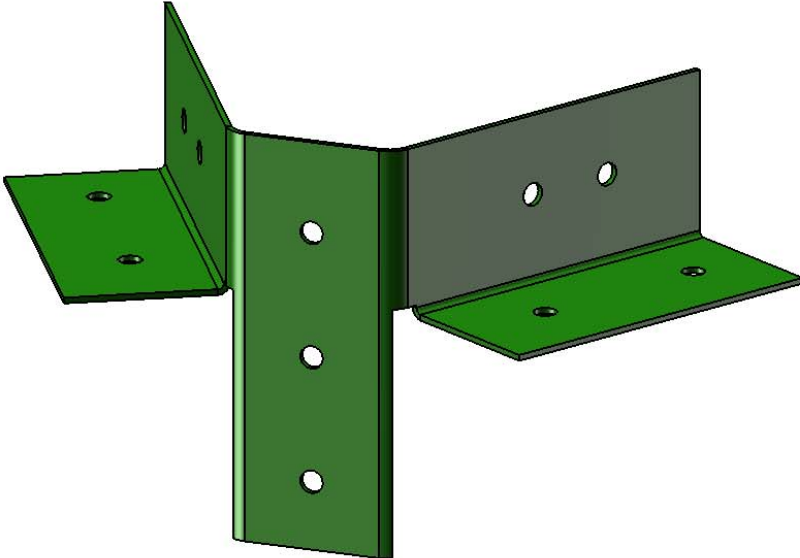
PICTURE	DESCRIPTION	QTY.
	<p>2 X 4 X 57" LADDER RIGHT SIDE 2-4-5700-LRS</p>	<p>1</p>
	<p>2 X 4 X 57" ROCK WALL SIDE 2-4-5700-RWS</p>	<p>2</p>
	<p>2 X 4 X 58" SWING LEG CROSS MEMBER 2-4-5800-CM</p>	<p>1</p>
	<p>2 X 6 X 47-3/8" ARCHED SIDE TOP BOARD 2-6-4738-ASTB</p>	<p>2</p>
	<p>2 X 6 X 47-3/8" FRONT ARCH BOARD 2-6-4738-FAB</p>	<p>1</p>
	<p>2 X 6 X 47-3/8" END SANDBOX BOARD 2-6-4738-ESB</p>	<p>3</p>
	<p>2 X 6 X 86" OUTRIGGER 2-6-8600-OR</p>	<p>1</p>

PICTURE	DESCRIPTION	QTY.
	<p>4 X 4 X 47-3/8" SWING BEAM MOUNT 4-4-4738-SBM</p>	<p>1</p>
	<p>5/4 X 2-1/4 X 11-1/2" HORIZONTAL WINDOW SUPPORT 125-225-1150-HWS</p>	<p>4</p>
	<p>5/4 X 2-5/8 X 17-1/2" TIC TAC TOE MOUNT 125-3-1750-TTM</p>	<p>2</p>
	<p>5/4 X 2-5/8 X 28" PANEL SLAT 125-3-2800-PS</p>	<p>18</p>
	<p>5/4 X 3 X 23-7/8" ROCK WALL TOP CAP 125-3-2388-RWTC</p>	<p>1</p>
	<p>5/4 X 3-1/2 X 18-1/2" LADDER BACK 125-4-1850-LB</p>	<p>1</p>
	<p>5/4 X 3-1/2 X 40-1/4" DECK SPACER 125-4-4025-DS</p>	<p>2</p>

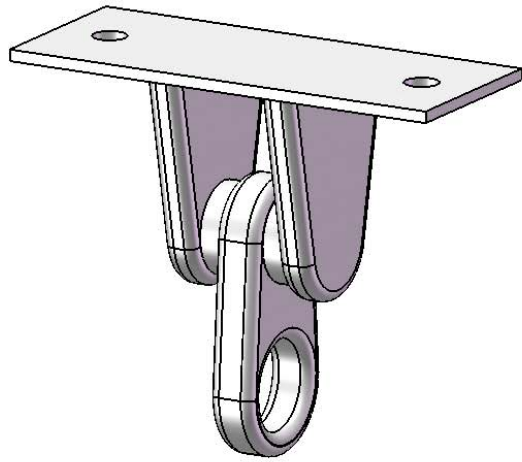
PICTURE		DESCRIPTION	QTY.
		5/4 X 5 X 10" ROOF PEAK SUPPORT 125-6-1000-RPS	2
		5/4 X 5-1/8 X 23-7/8" BOTTOM ROCK WALL BOARD 125-5-2388-BRWB	1
		5/4 X 5-1/8 X 23-7/8" ROCK WALL BOARD 125-5-2388-BRWB	10
		5/4 X 5-1/2 X 20" VERTICAL WINDOW SUPPORT 125-6-2000-VWS	3
		5/4 X 5-1/2 X 47-3/8" DECK BOARD 125-6-4738-DB	7
		1 X 3.783 X 52" ROOF FINISHER 1-5-5200-RF	2
		1 X 3-1/2 X 52" ROOF STARTER 1-5-5200-RS	2

PICTURE		DESCRIPTION	QTY.
		1 X 6 X 52" ROOF PEAK 1-6-5200-RP	1
		1 X 4-1/2 X 52" ROOF BOARD 1-5-5200-RB	14
		4 X 4 X 96" CORNER POST LEFT 4-4-9600-CPL	2
		4 X 4 X 96" CORNER POST RIGHT 4-4-9600-CPR	2
		4 X 4 X 96" SWING LEG 4-4-9600-SL	2
		4 X 6 X 108" SWING BEAM 4-4-1080-SB	1

PICTURE	DESCRIPTION	QTY.
	<p>8' WIKI WAVE SLIDE 03-0015-G</p>	<p>1</p>
	<p>SWINGS W/CHAINS 04-0002</p>	<p>2</p>
	<p>TRAPEZE BAR W/CHAINS 04-0006</p>	<p>1</p>

PICTURE	DESCRIPTION	QTY.
	<p>SWING PLATE 11-5002</p>	<p>1</p>
	<p>CLIMBING ROCKS (07-0008 IS A PACK OF 5)</p>	<p>10 ROCKS</p>
	<p>A-FRAME SWING LEG BRACKET 11-5010</p>	<p>1</p>
<p>HARDWARE BOXES: 380</p>	<p>HARDWARE BOX</p>	<p>1</p>

PICTURE

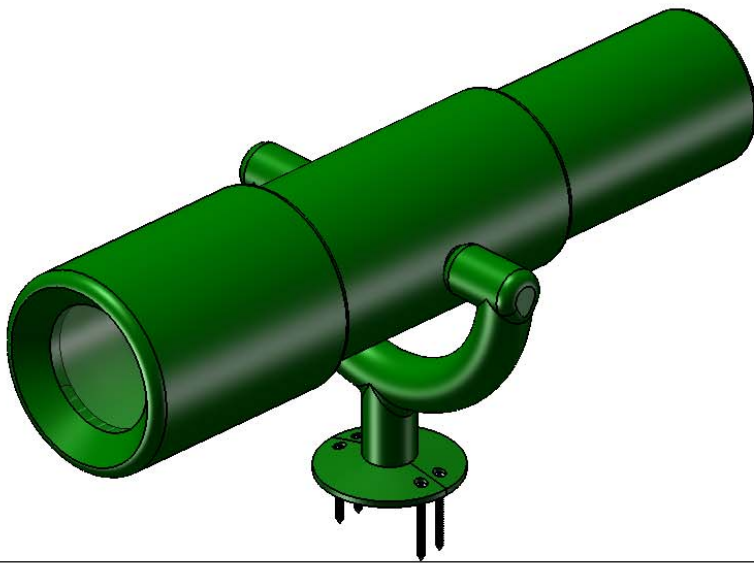


DESCRIPTION

IRON
DUCTILE
SWING
HANGERS
11-4012

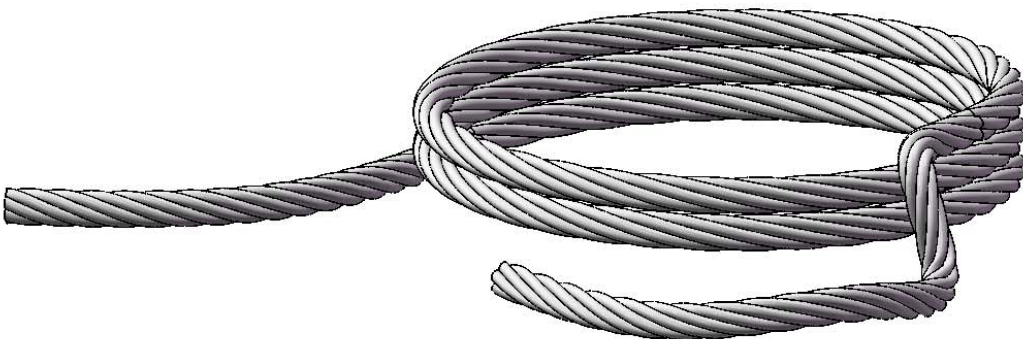
QTY.

6



TELESCOPE
07-0001

1



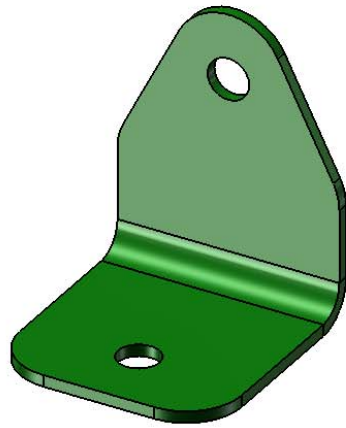
10'
ROCK
WALL
ROPE

1

PICTURE

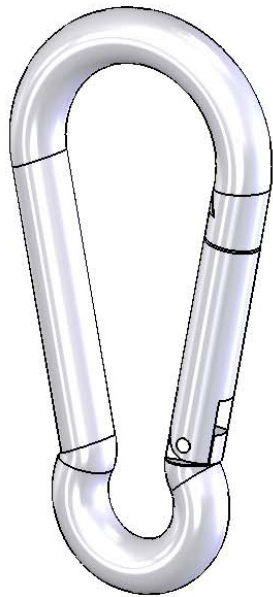
DESCRIPTION

QTY.



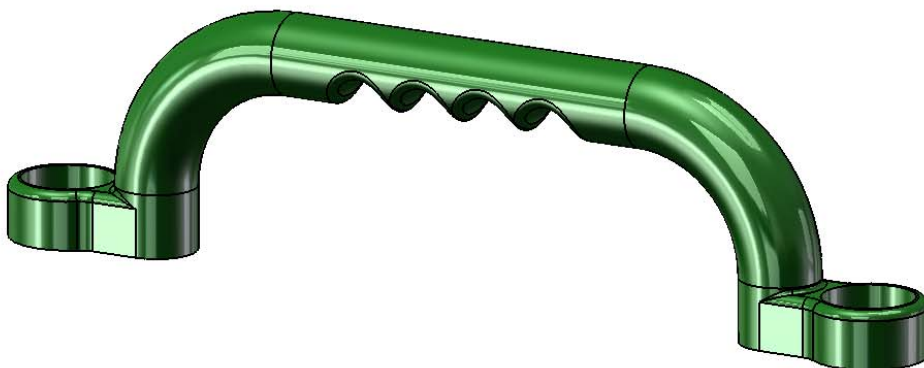
90° GREEN
BRACKET
11-5013

4




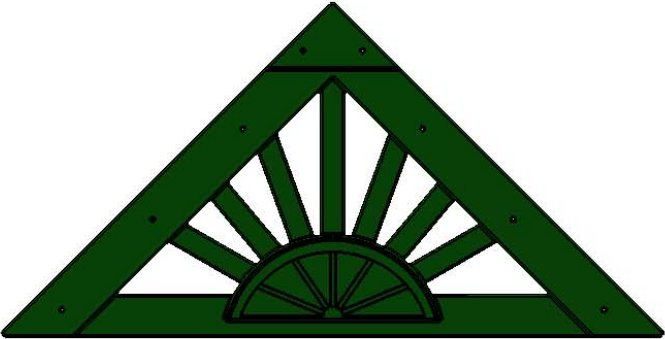
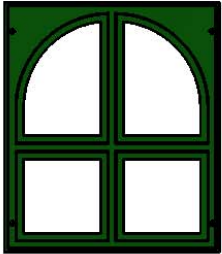
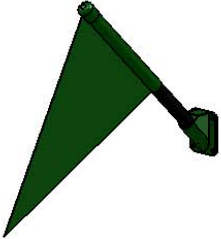
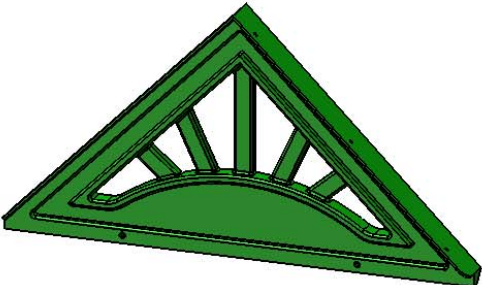
SPRING
CLIP
11-4003

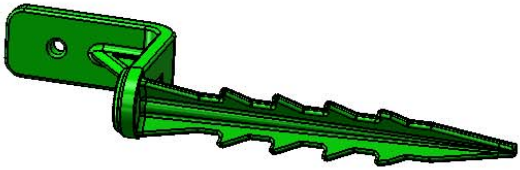


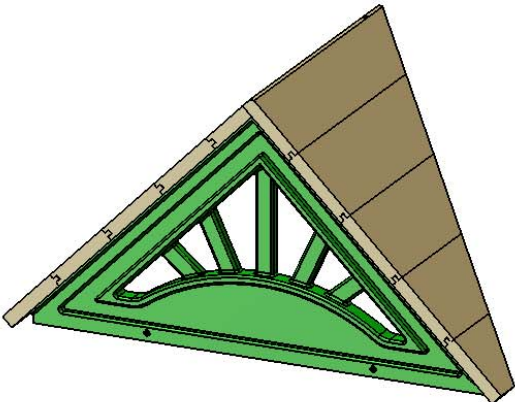
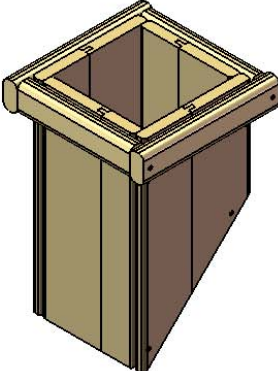
6



SAFETY
HANDLES
(PAIR)
07-0005

1 pr

PICTURE	DESCRIPTION	QTY.
	<p>CHALK BOARD 07-0028-G</p>	<p>2</p>
	<p>PLASTIC SUNBURST 07-0028-G</p>	<p>2</p>
	<p>PLASTIC DORMER WINDOW 07-0029-G</p>	<p>2</p>
	<p>FLAG KIT 09-1014</p>	<p>1 pr</p>
	<p>PLASTIC DORMER SUNBURST 07-0031</p>	<p>2</p>

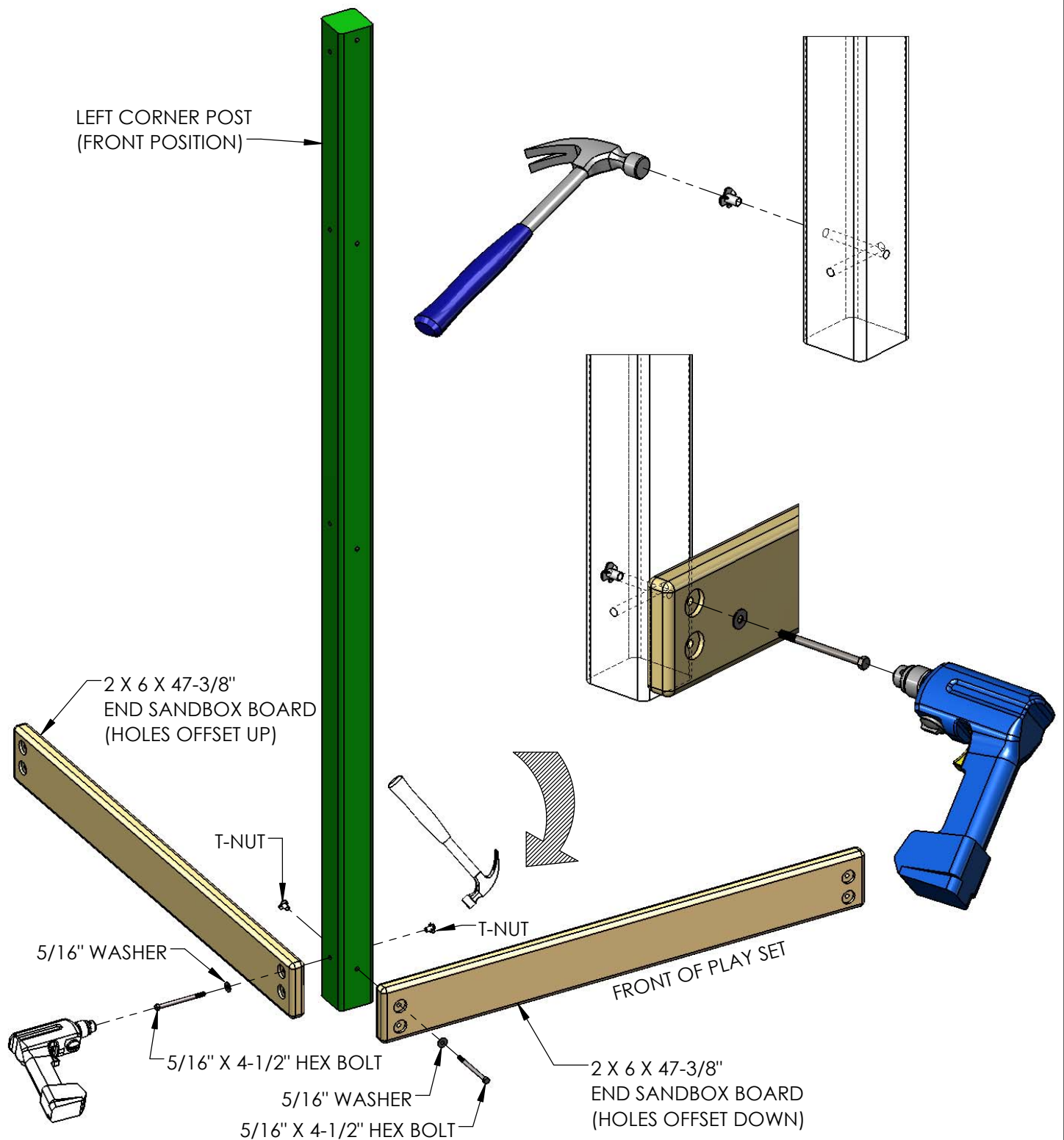
PICTURE	DESCRIPTION	QTY.
(NOT SHOWN)	MANUFACTURER LOGO PLATE	1
	GROUND STAKE (PAIR) 07-0016-P	2 _{pr}
	TIC TAC TOE (UNASSEMBLED) 07-0010	1
	STEERING WHEEL 07-0004	1
	UNASSEMBLED DORMER (320 BOX)	2
	UNASSEMBLED CHIMNEY (320 BOX)	1

STEP 1: LEFT CORNER POST (FRONT POSITION) AND SAND BOX BOARDS

1: USE A HAMMER TO SEAT THE T-NUTS AFTER INSERTING THEM INTO THE HOLES SHOWN IN THE DIAGRAM BELOW.

2: ATTACH THE 2 X 6 X 47-3/8" END SAND BOX BOARD (HOLES OFFSET DOWN) TO THE FRONT SIDE OF THE LEFT CORNER POST USING ONE 5/16" X 4-1/2" HEX BOLT AND 5/16" WASHER.

3: ATTACH THE 2 X 6 X 47-3/8" END SAND BOX BOARD (HOLES OFFSET UP) TO THE LEFT SIDE OF THE LEFT CORNER POST USING ONE 5/16" X 4-1/2" HEX BOLT AND 5/16" WASHER.

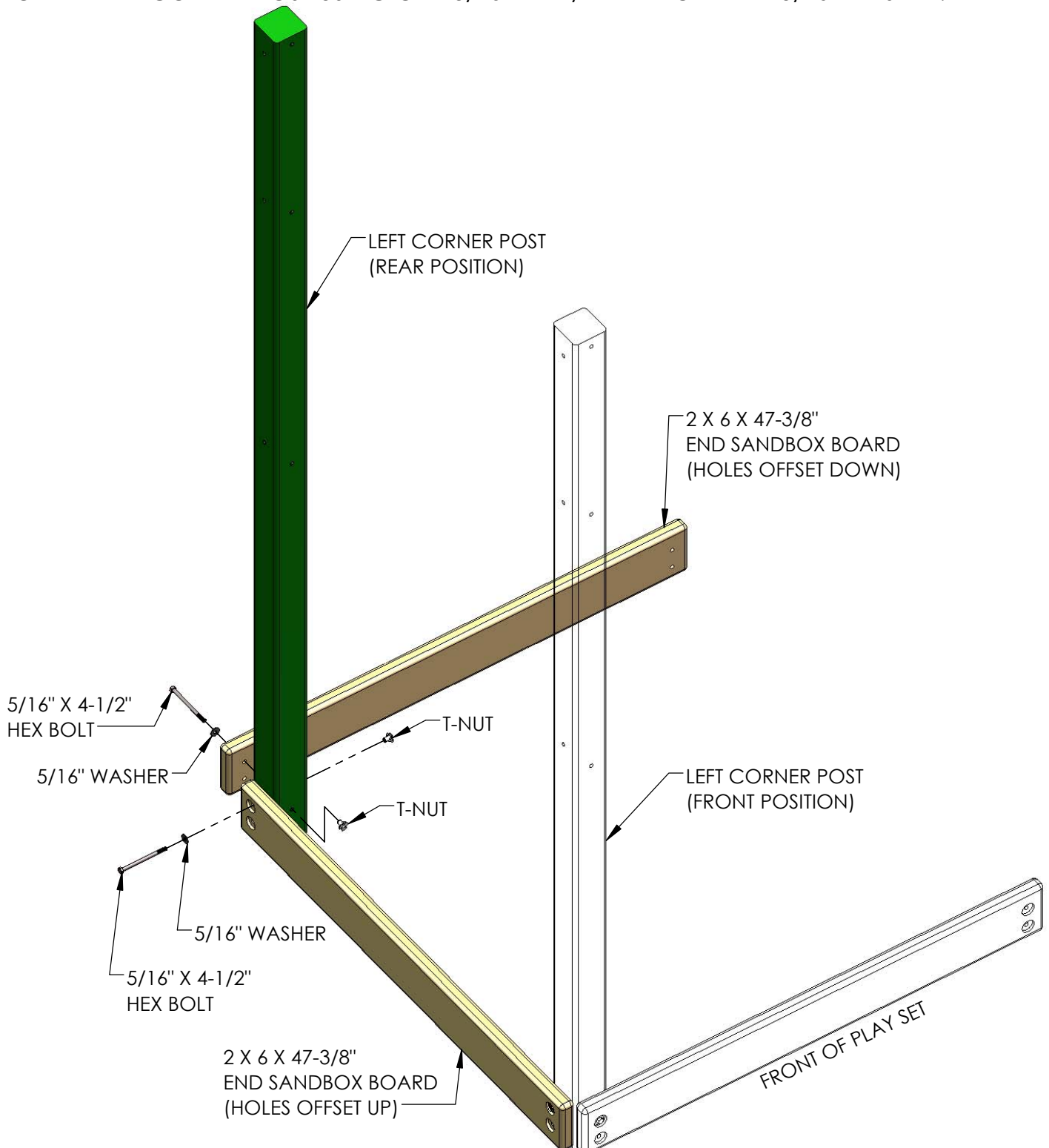


STEP 2: LEFT CORNER POST (REAR POSITION) AND SAND BOX BOARDS

1: USE A HAMMER TO SEAT THE T-NUTS AFTER INSERTING THEM INTO THE HOLES SHOWN IN THE DIAGRAM BELOW.

2: ATTACH THE 2 X 6 X 47-3/8" END SAND BOX BOARD (HOLES OFFSET UP) TO THE LEFT SIDE OF THE LEFT CORNER POST USING ONE 5/16" X 4-1/2" HEX BOLT AND 5/16" WASHER.

3: ATTACH THE 2 X 6 X 47-3/8" END SAND BOX BOARD (HOLES OFFSET DOWN) TO THE REAR SIDE OF THE LEFT CORNER POST USING ONE 5/16" X 4-1/2" HEX BOLT AND 5/16" WASHER.

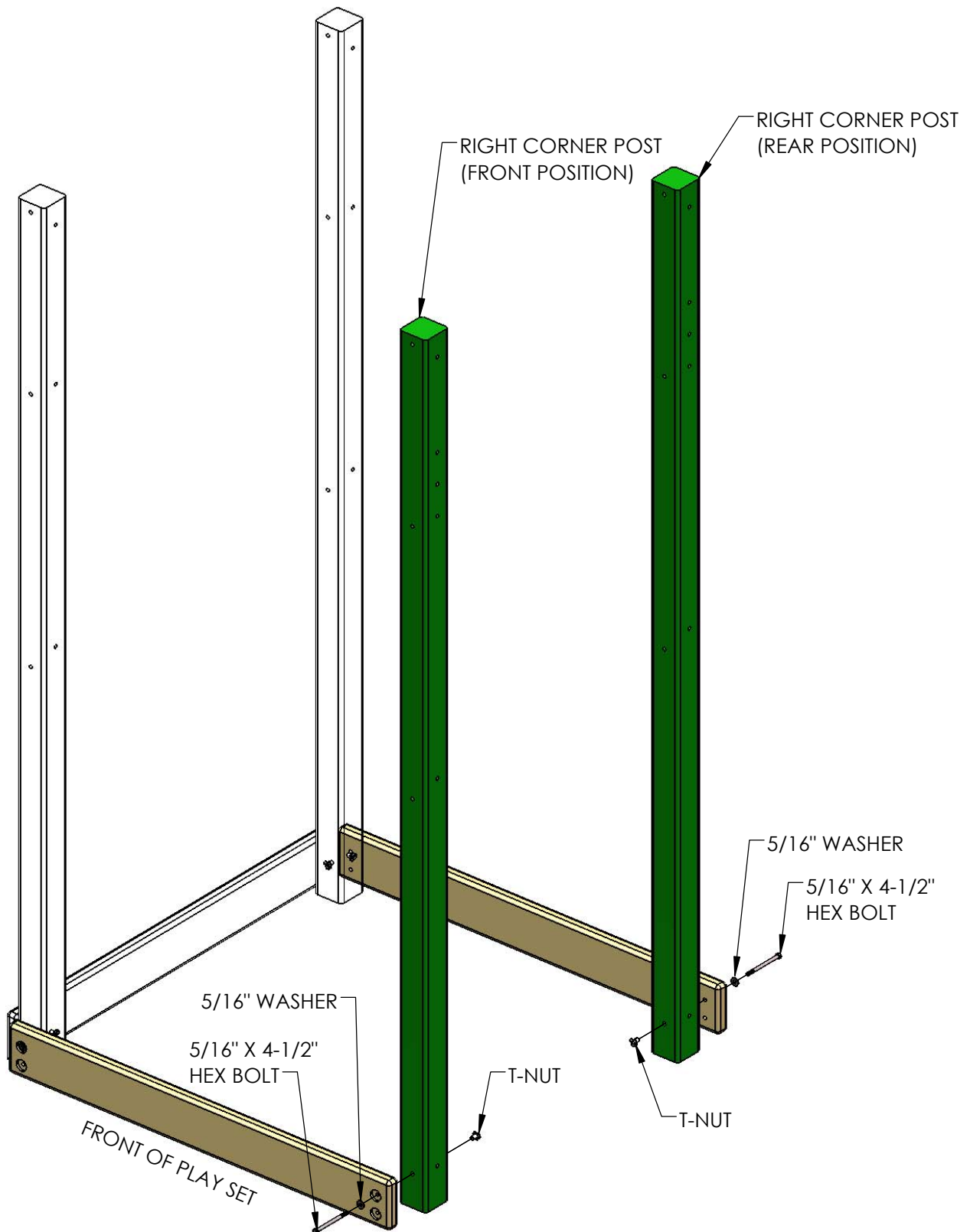


STEP 3: RIGHT CORNER POSTS AND SAND BOX BOARDS

1: USE A HAMMER TO SEAT THE T-NUTS AFTER INSERTING THEM INTO THE HOLES SHOWN IN THE DIAGRAM BELOW.

2: ATTACH THE 2 X 6 X 47-3/8" END SAND BOX BOARD (HOLES OFFSET DOWN) TO THE FRONT SIDE OF THE RIGHT CORNER POST USING ONE 5/16" X 4-1/2" HEX BOLT AND 5/16" WASHER.

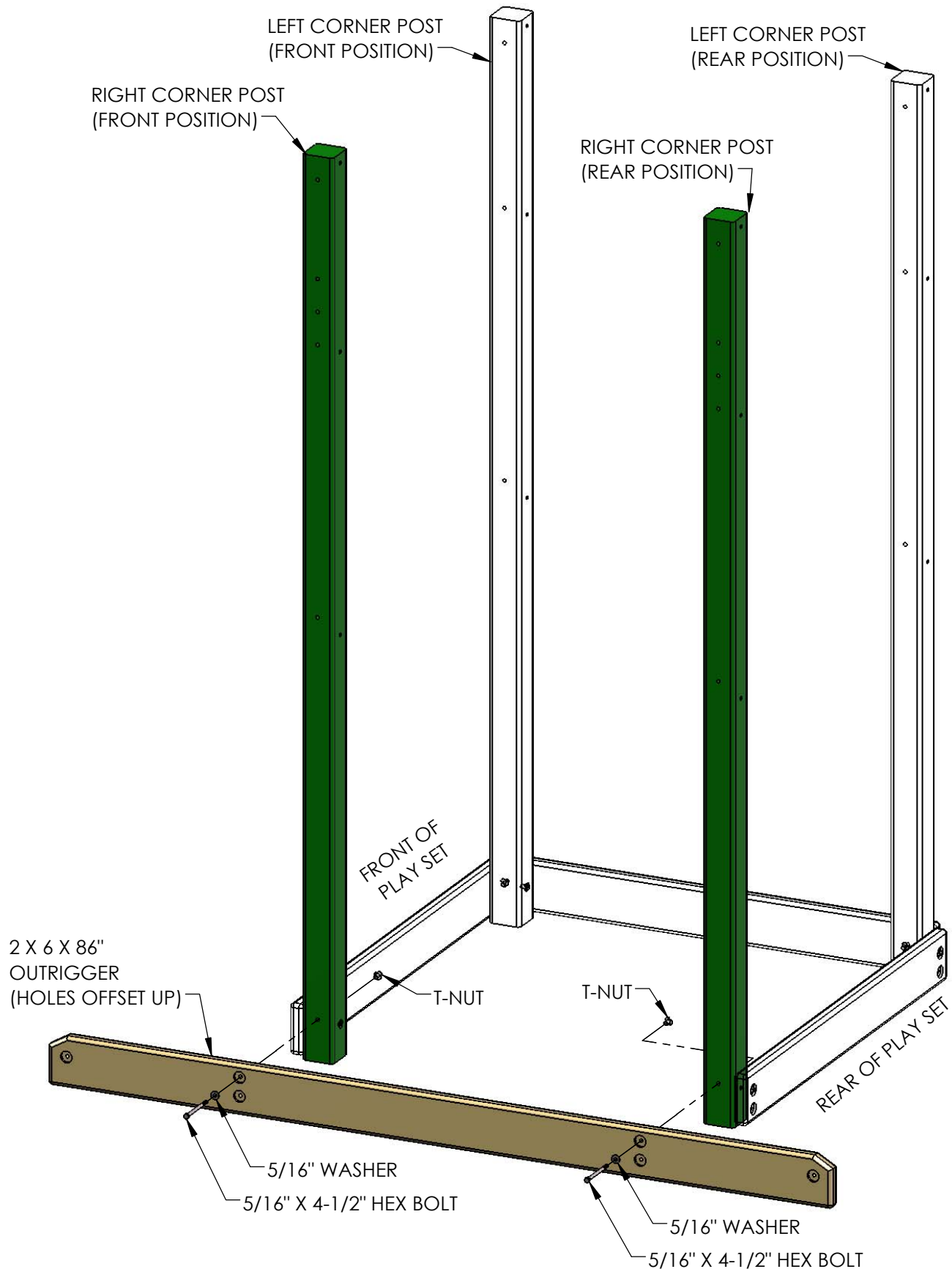
3: ATTACH THE 2 X 6 X 47-3/8" END SAND BOX BOARD (HOLES OFFSET DOWN) TO THE REAR SIDE OF THE RIGHT CORNER POST USING ONE 5/16" X 4-1/2" HEX BOLT AND 5/16" WASHER.



STEP 4: RIGHT SANDBOX BOARD

1: USE A HAMMER TO SEAT THE T-NUTS AFTER INSERTING THEM INTO THE HOLES SHOWN IN THE DIAGRAM BELOW.

2: THE 2 X 6 X 86" OUTRIGGER (HOLES OFFSET UP) ATTACHES TO THE SIDE OF THE RIGHT CORNER POSTS WITH TWO 5/16" X 4-1/2" HEX BOLTS AND TWO 5/16" WASHERS.

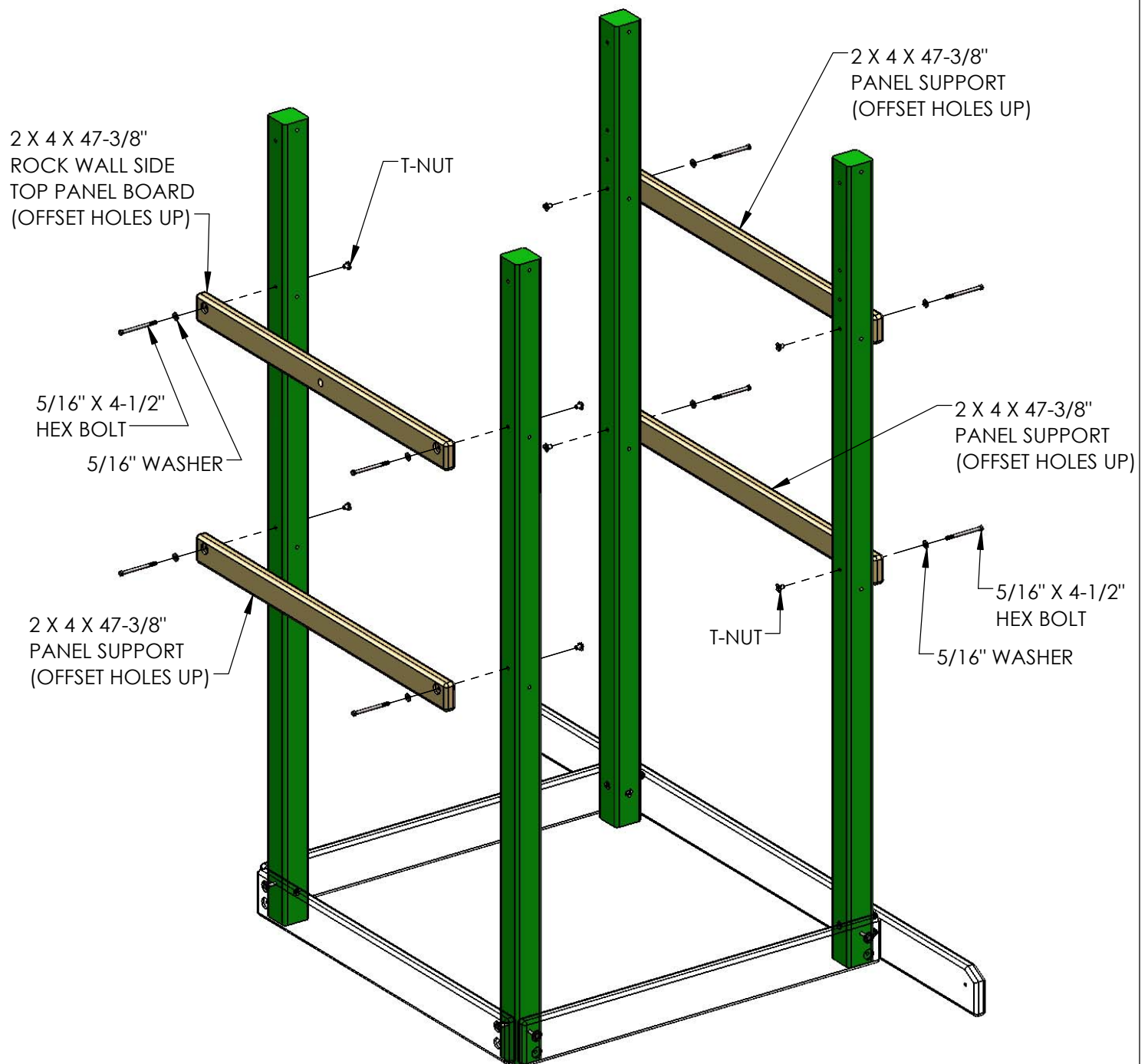


STEP 5: PANEL SUPPORTS AND ROCK WALL SIDE TOP PANEL BOARD

1: USE A HAMMER TO SEAT THE T-NUTS AFTER INSERTING THEM INTO THE HOLES SHOWN IN THE DIAGRAM BELOW.

2: THE 2 X 4 X 47-3/8" PANEL SUPPORTS (OFFSET HOLES UP) ATTACH TO THE SIDES OF THE FRONT AND REAR CORNER POSTS WITH TWO 5/16" X 4-1/2" HEX BOLTS AND TWO 5/16" WASHERS.

3: THE 2 X 4 X 47-3/8" ROCK WALL SIDE TOP PANEL BOARD (OFFSET HOLES UP) ATTACHES TO THE SIDE OF THE LEFT CORNER POSTS WITH TWO 5/16" X 4-1/2" HEX BOLTS AND TWO 5/16" WASHERS.



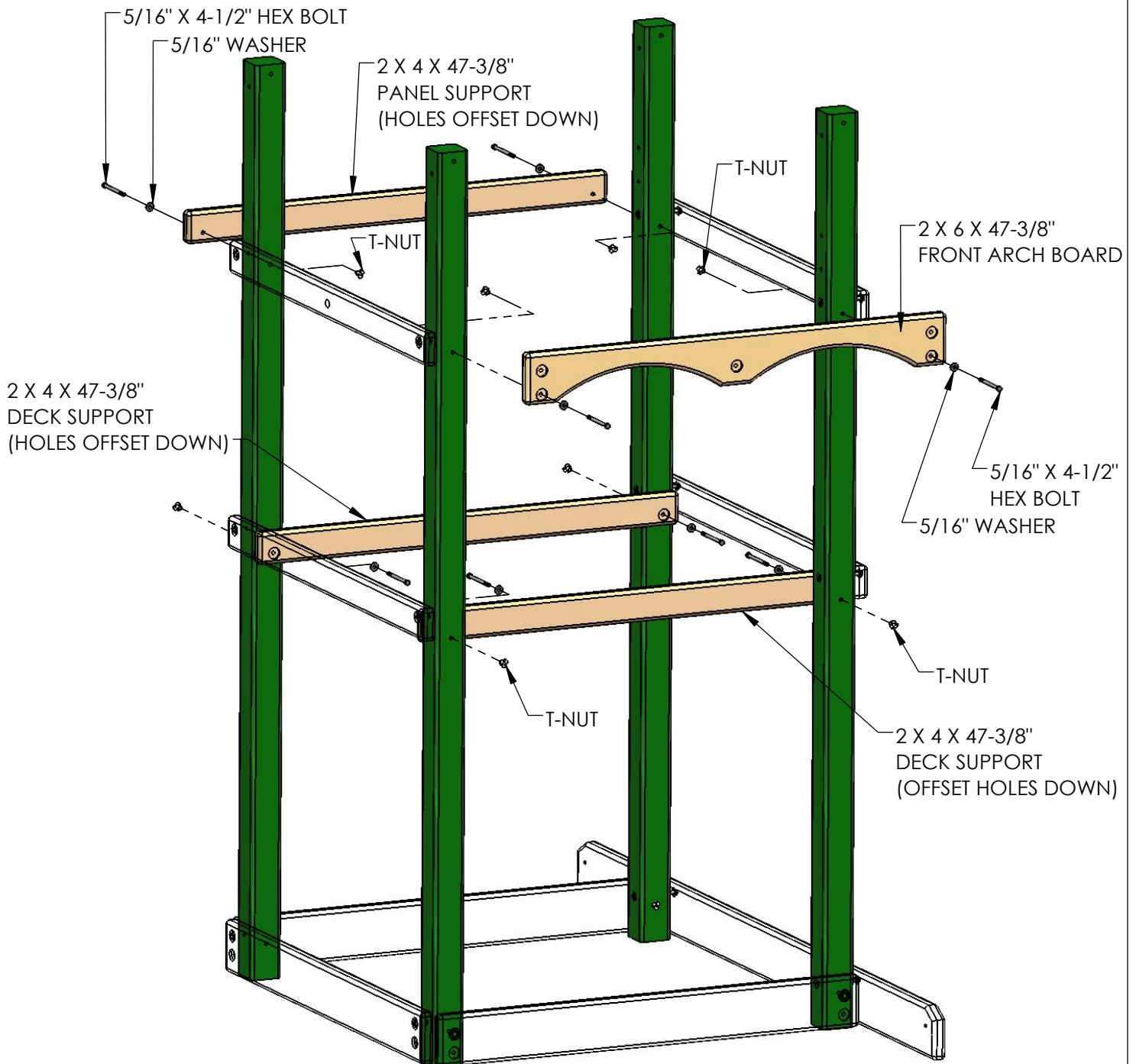
STEP 6: PANEL SUPPORTS AND DECK SUPPORTS

1: USE A HAMMER TO SEAT THE T-NUTS AFTER INSERTING THEM INTO THE HOLES SHOWN IN THE DIAGRAM BELOW.

2: THE 2 X 4 X 47-3/8" PANEL SUPPORT (OFFSET HOLES DOWN) ATTACHES TO THE REAR OF THE LEFT REAR AND RIGHT REAR CORNER POSTS WITH TWO 5/16" X 4-1/2" HEX BOLTS AND TWO 5/16" WASHERS.

3: THE 2 X 6 X 47-3/8" FRONT ARCH BOARD ATTACHES TO THE FRONT OF THE LEFT AND RIGHT CORNER POSTS WITH TWO 5/16" X 4-1/2" HEX BOLTS AND TWO 5/16" WASHERS.

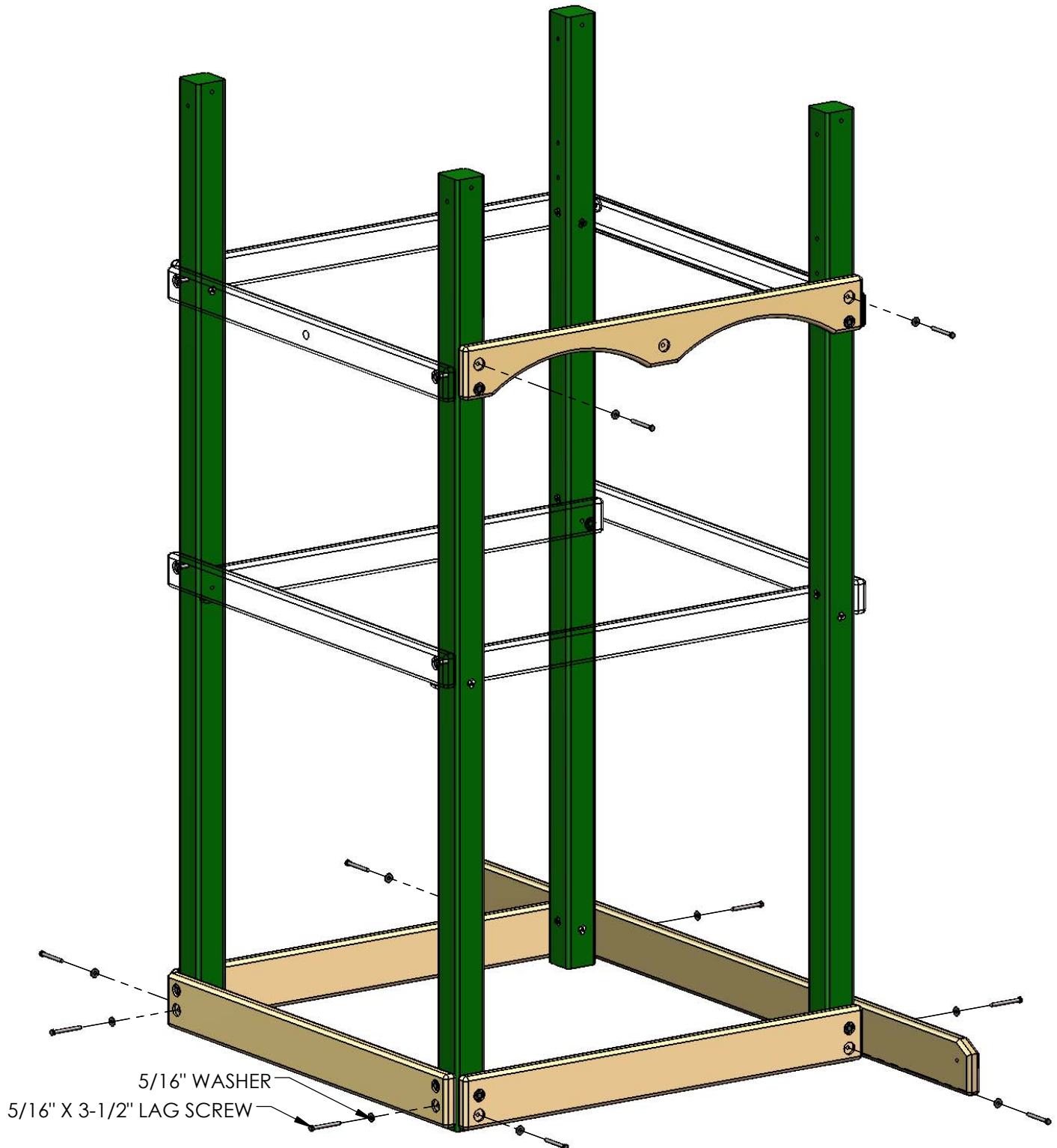
4: ATTACH THE 2 X 4 X 47-3/8" DECK SUPPORTS (OFFSET HOLES DOWN) TO THE INSIDE OF THE LEFT AND RIGHT CORNER POSTS WITH TWO 5/16" X 4-1/2" HEX BOLTS AND TWO 5/16" WASHERS.



STEP 7: LEVELING THE PLAY SET AND INSTALLING LAG SCREWS

1: LEVEL YOUR PLAY SET FRAME. LEVEL SIDE TO SIDE AND FRONT TO BACK. CHECK THE DIAGONALS FOR SQUARE. ONCE YOU HAVE A LEVEL AND SQUARE PLAY SET FRAME YOU MAY INSTALL LAG SCREWS.

2: INSTALL ONE 5/16" X 3-1/2" LAG SCREW WITH 5/16" WASHER INTO THE EMPTY HOLES IN ALL OF THE SAND BOX BOARDS AND THE FRONT ARCH BOARD.



STEP 8: FORT SUPPORTS

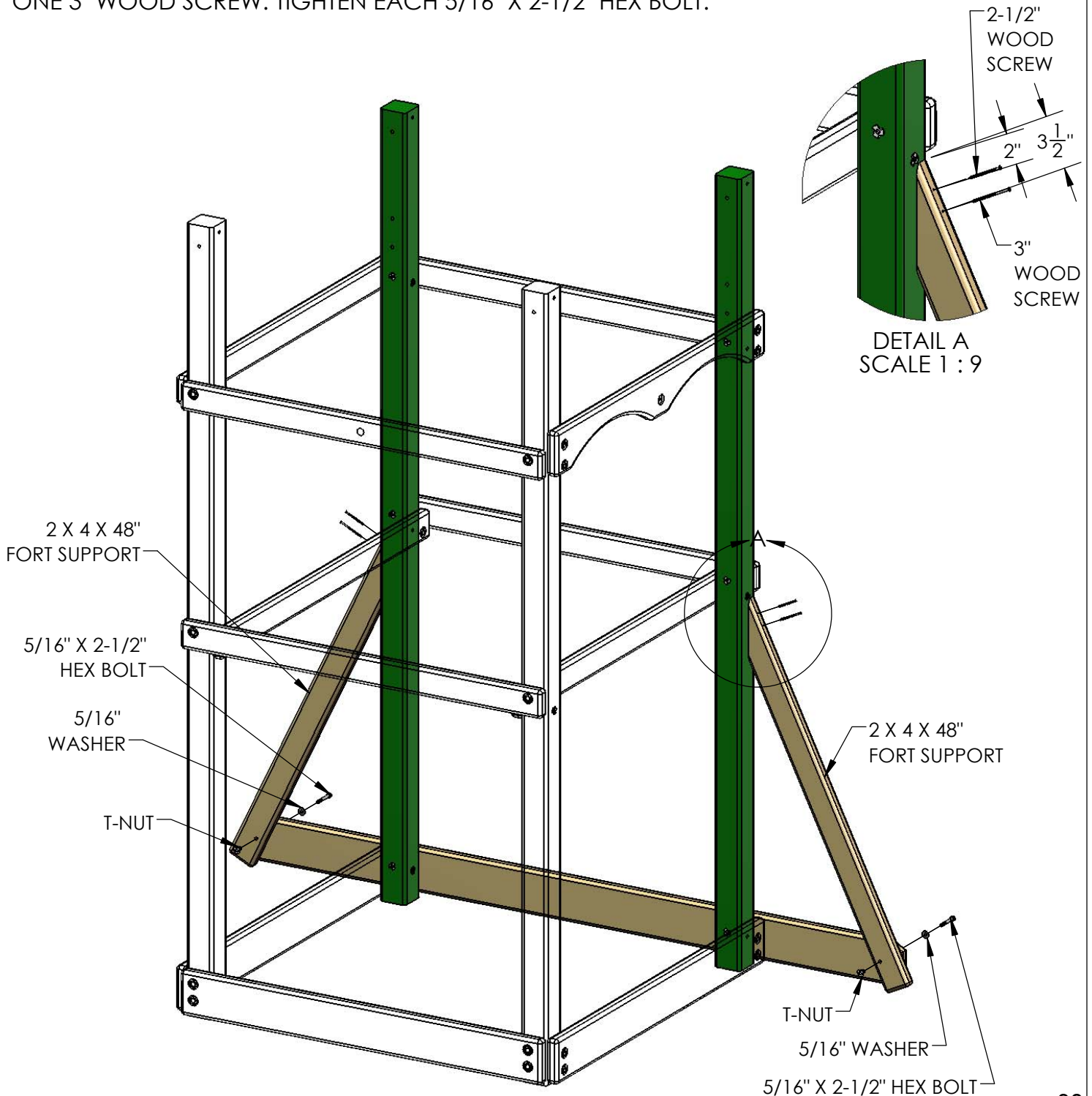
1: PLACE A 5/16" T-NUT INTO THE HOLE IN THE FORT SUPPORTS AS SHOWN.

2: FROM THE INSIDE OF THE RIGHT PANEL BOARD LOOSELY ATTACH EACH FORT SUPPORT WITH ONE 5/16" X 2-1/2" HEX BOLT AND ONE 5/16" WASHER.

3: MEASURE 2" AND 3-1/2" DOWN FROM THE TIP OF EACH FORT SUPPORT AND DRILL A 1/8" HOLE THROUGH THE FORT SUPPORT ALONG THE CENTER. (SEE DETAIL A)

4: PLACE EACH FORT SUPPORT AGAINST THE CORNER POST. THE SIDE OF THE FORT SUPPORT SHOULD BE FLUSH WITH THE RIGHT SIDE OF THE RIGHT CORNER POSTS.

5: ATTACH THE ANGLED END OF EACH FORT SUPPORT WITH ONE 2-1/2" WOOD SCREW AND ONE 3" WOOD SCREW.

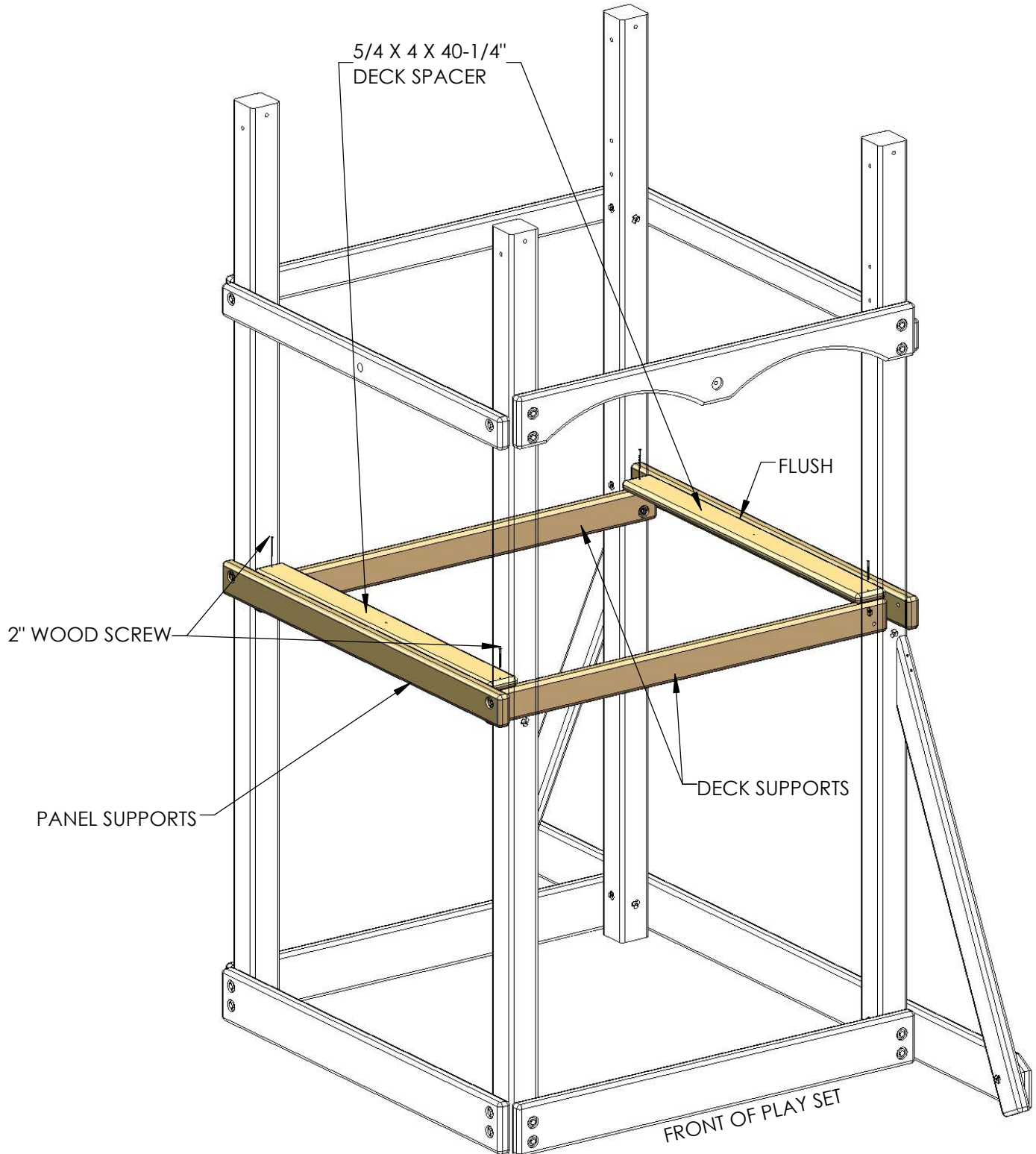


STEP 9: DECK SPACERS

1: PLACE A 5/4 X 4 X 40-1/4" DECK SPACER BETWEEN THE LEFT AND RIGHT CORNER POSTS ON TOP OF THE DECK SUPPORTS AS SHOWN BELOW.

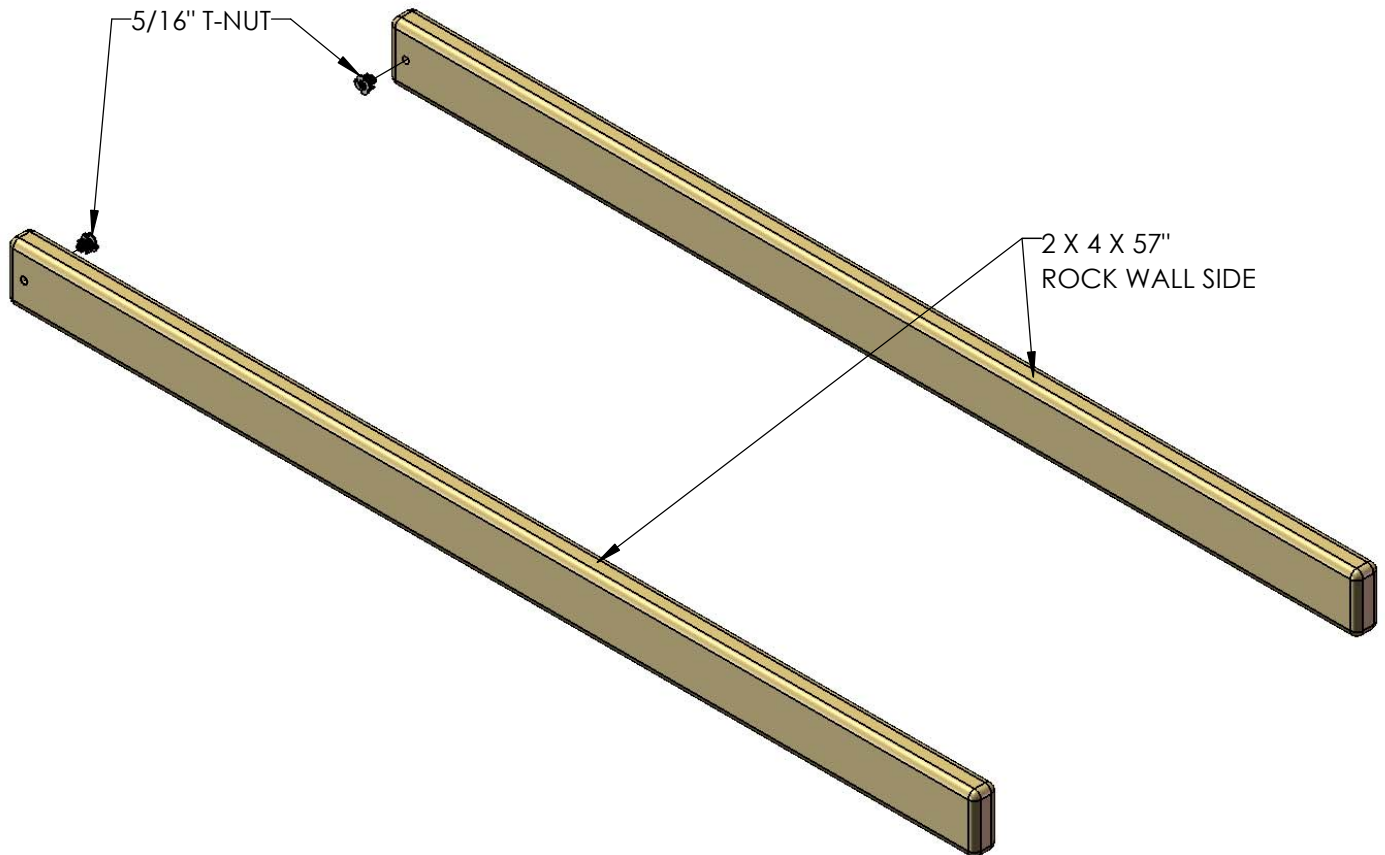
2: THE DECK SPACER SIDE SHOULD BE FLUSH WITH THE INSIDE OF THE PANEL SUPPORT.

3: ATTACH EACH DECK SPACER TO THE DECK SUPPORTS WITH TWO 2" WOOD SCREWS.



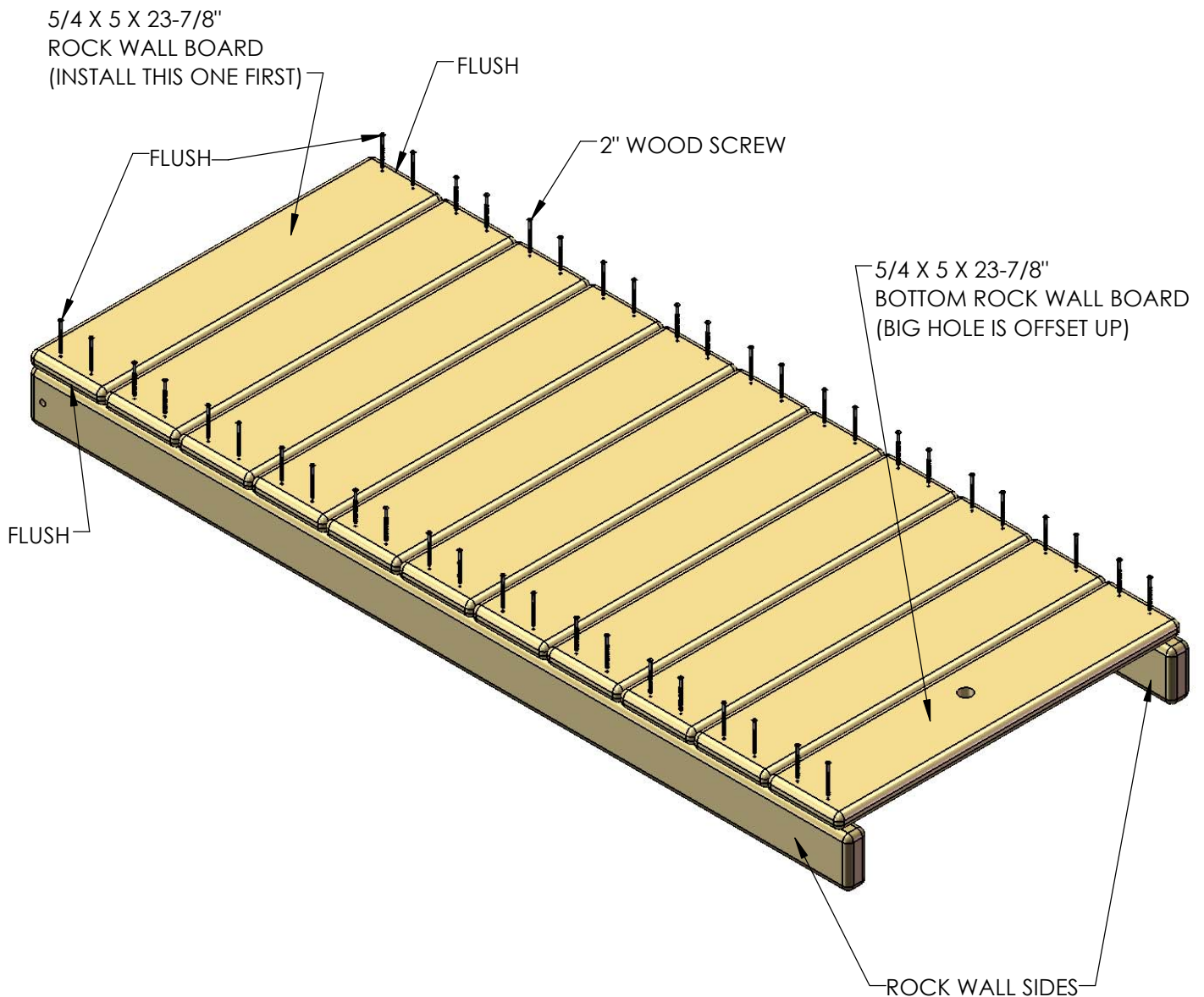
STEP 10: ROCK WALL

1: LOCATE TWO 2 X 4 X 57 ROCK WALL SIDE BOARDS. LAY THE BOARDS OUT AS SHOWN AND INSERT A 5/16" T-NUT INTO THE HOLE ON THE INSIDE OF EACH BOARD. USE A HAMMER TO SET EACH T-NUT FLUSH WITH THE BOARD.



STEP 11: ROCK WALL

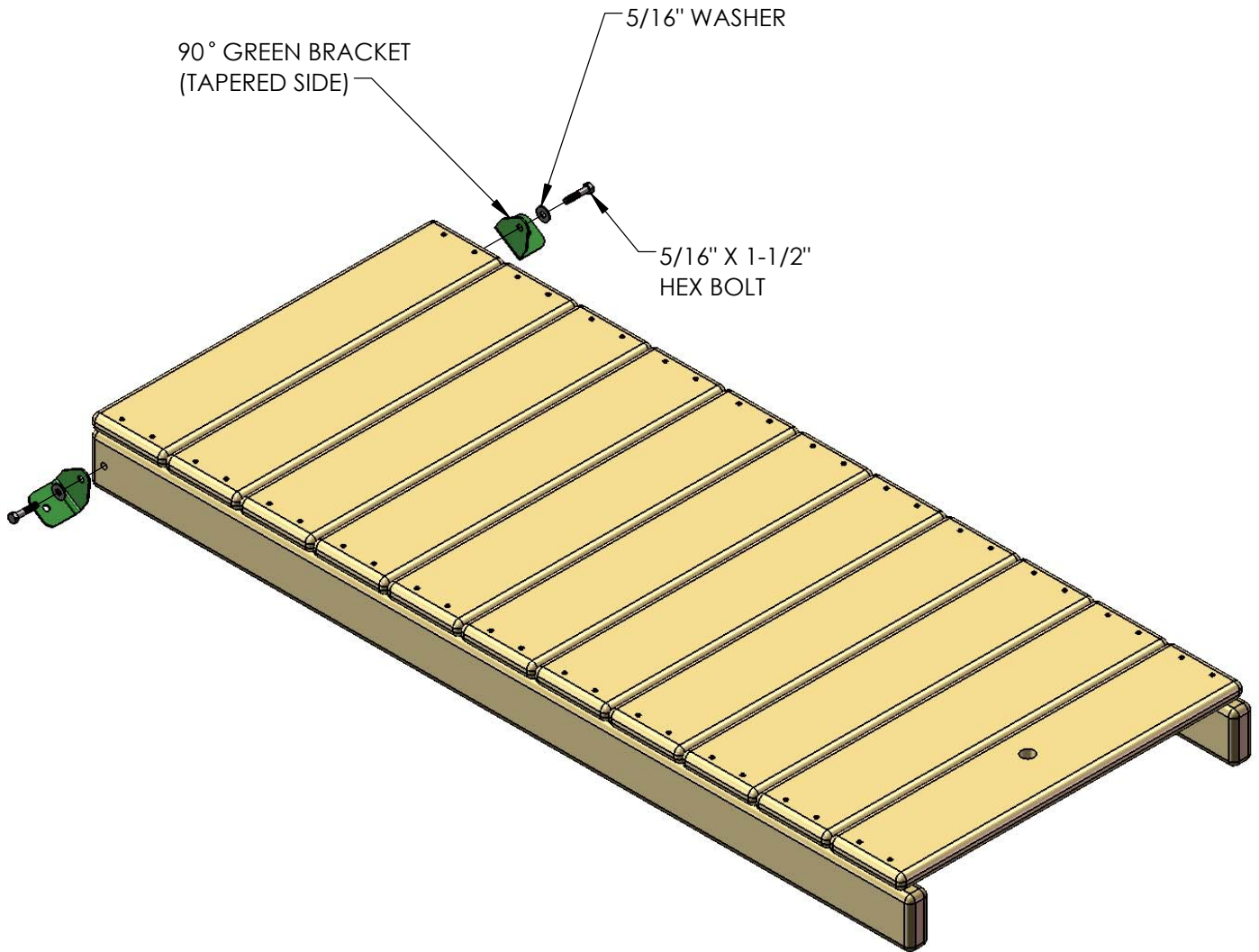
1. LOCATE TEN 5/4 X 5 X 23-7/8" ROCK WALL BOARDS AND ONE 5/4 X 5 X 23-7/8" BOTTOM ROCK WALL BOARD WITH ONE BIG HOLE IN IT.
2. PLACE ONE ROCK WALL BOARD AT THE TOP OF THE ROCK WALL SIDES NEAREST THE HOLES WHERE YOU PREVIOUSLY INSTALLED THE TEE NUTS. MAKE SURE THE ROCK WALL BOARD IS FLUSH WITH THE ENDS AND SIDES OF THE ROCK WALL SIDE BOARDS.
3. ATTACH THE ROCK WALL BOARD WITH FOUR 2" WOOD SCREWS.
4. NOW PLACE ANOTHER ROCK WALL BOARD BENEATH THE ONE PREVIOUSLY INSTALLED AND ATTACH WITH FOUR 2" WOOD SCREWS. CONTINUE INSTALLING ROCK WALL BOARDS TO THE ROCK WALL SIDES UNTIL THEY ARE USED UP.
5. ATTACH THE BOTTOM ROCK WALL BOARD WITH ONE LARGE HOLE IN IT LAST WITH FOUR 2" WOOD SCREWS. THE LARGE HOLE SHOULD BE OFFSET UP.



STEP 12: ROCK WALL

1: LOCATE TWO 90 GREEN BRACKETS, TWO 5/16" WASHERS AND TWO 5/16" X 1-1/2" HEX BOLTS.

2: FASTEN THE TAPERED SIDE OF EACH 90 GREEN BRACKET TO EACH ROCK WALL SIDE WITH A 5/16" X 1-1/2" HEX BOLT AND 5/16" WASHER.

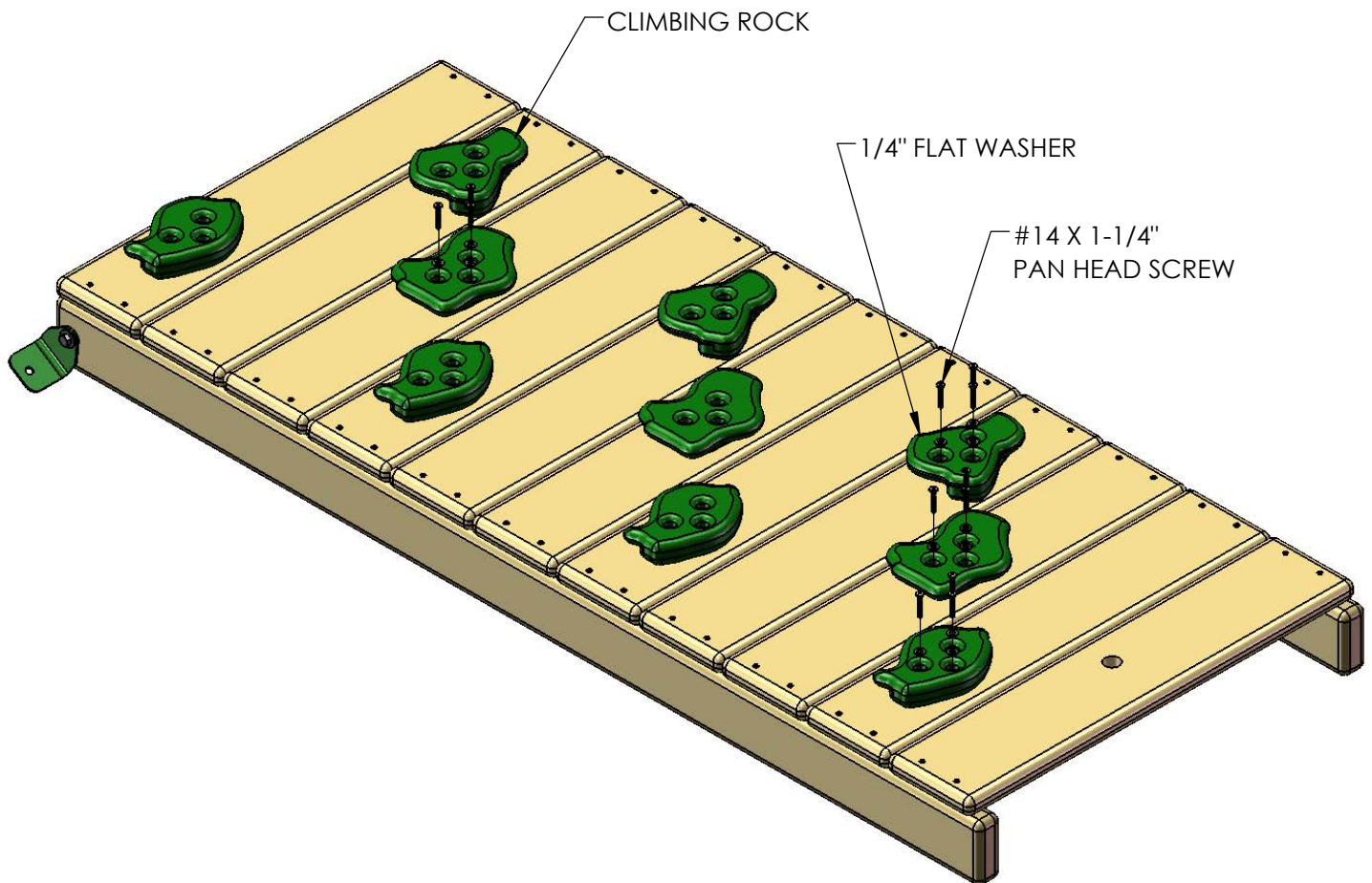


STEP 13: ROCK WALL

1: LOCATE TWO BAGS OF CLIMBING ROCKS. INSIDE EACH BAG SHOULD BE FIVE ROCKS, FIFTEEN #14 X 1-1/4" PAN HEAD SCREWS AND FIFTEEN 1/4" FLAT WASHERS.

2: PLACE THE CLIMBING ROCKS IN A STAGGERED PATTERN ON THE ROCK WALL BOARDS. PLACE ONE ROCK ON EACH BOARD EXCEPT FOR THE BOTTOM ROCK WALL BOARD WITH THE HOLE IN IT.

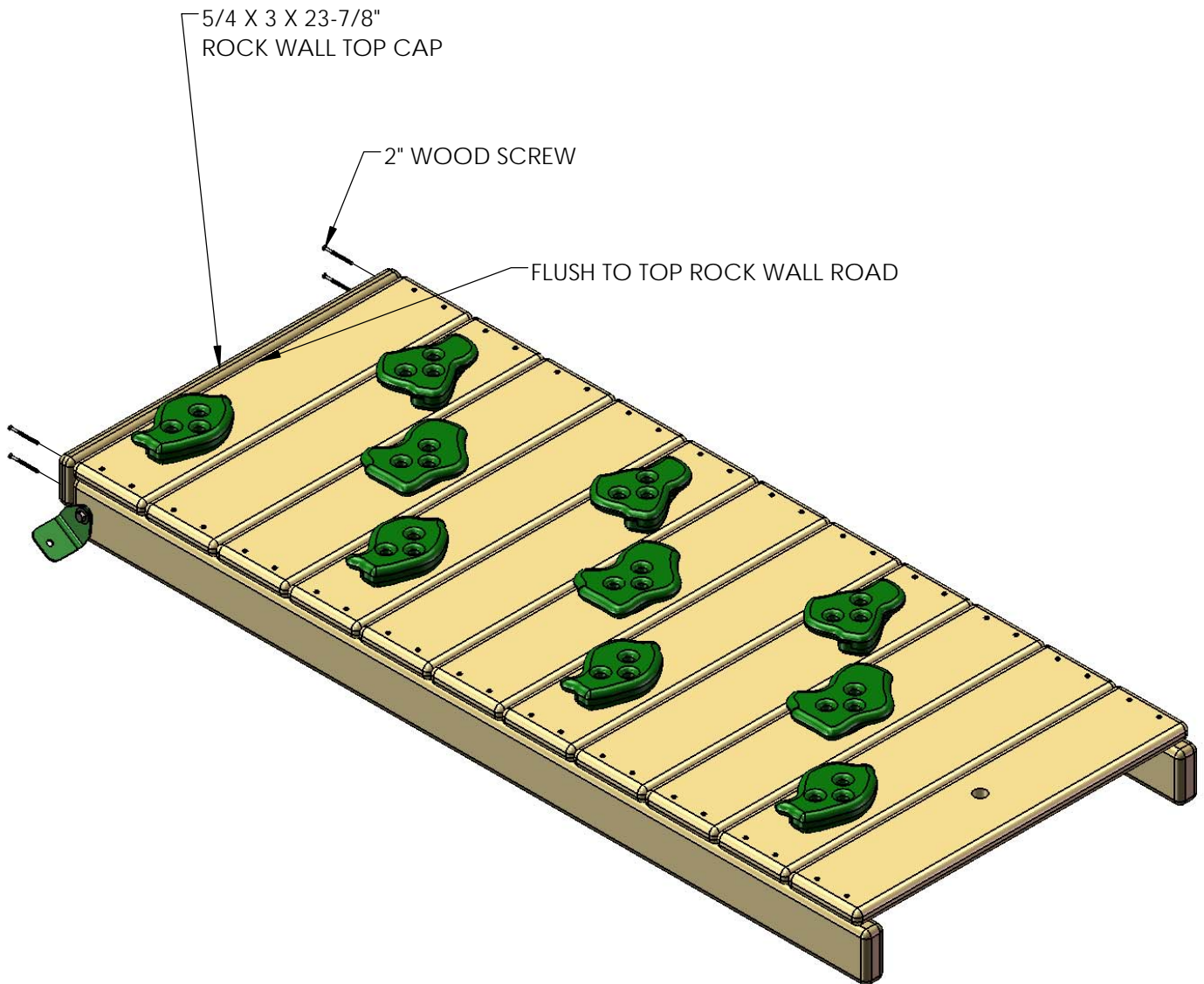
3: ATTACH EACH CLIMBING ROCK WITH THREE #14 X 1-1/4" PAN HEAD SCREWS AND THREE 1/4" FLAT WASHERS.



STEP 14: ROCK WALL

1: PLACE THE 5/4 X 3 X 23-7/8" ROCK WALL TOP CAP ON TOP OF THE ROCK WALL SIDES FLUSH WITH THE TOP ROCK WALL BOARD.

2: FASTEN THE 5/4 X 3 X 23-7/8" ROCK WALL TOP CAP TO THE ROCK WALL SIDES AND THE TOP ROCK WALL BOARD WITH FOUR 2" WOOD SCREWS.



STEP 15: ATTACHING THE ROCKWALL

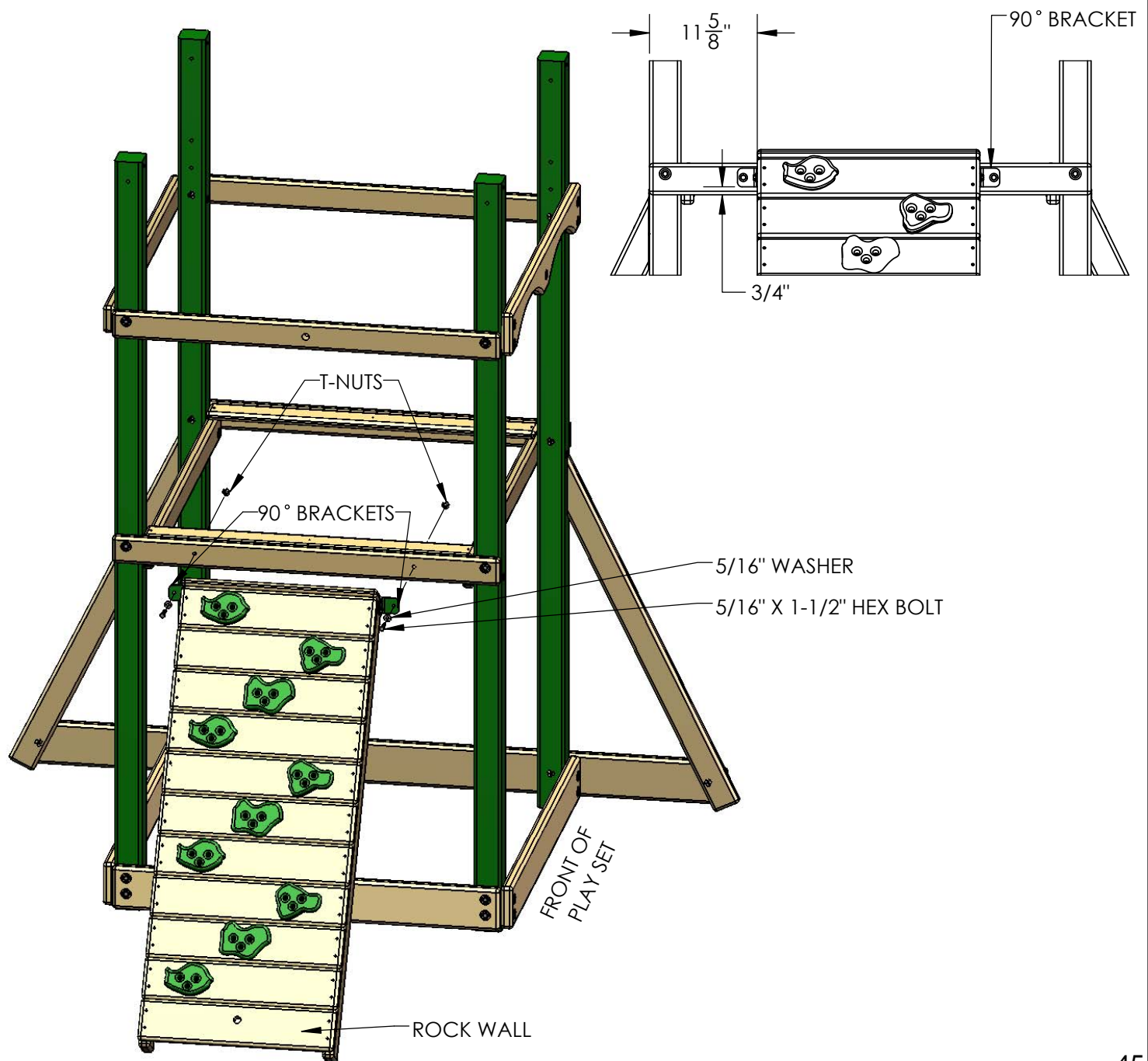
1: THE ROCKWALL ATTACHES TO THE REAR OF THE PLAY SET, $11\frac{5}{8}$ " FROM THE OUTSIDE EDGE OF THE REAR-LEFT CORNER POST.

2: MAKE SURE THE ROCKWALL IS LEVEL. THE BOTTOM EDGE OF THE 90° BRACKETS SHOULD BE $\frac{3}{4}$ " UP FROM THE BOTTOM EDGE OF THE 2 X 4. MARK THE POSITION OF THE BRACKET HOLES ON THE 2 X 4.

3: DRILL $\frac{3}{8}$ " HOLES WHERE MARKED.

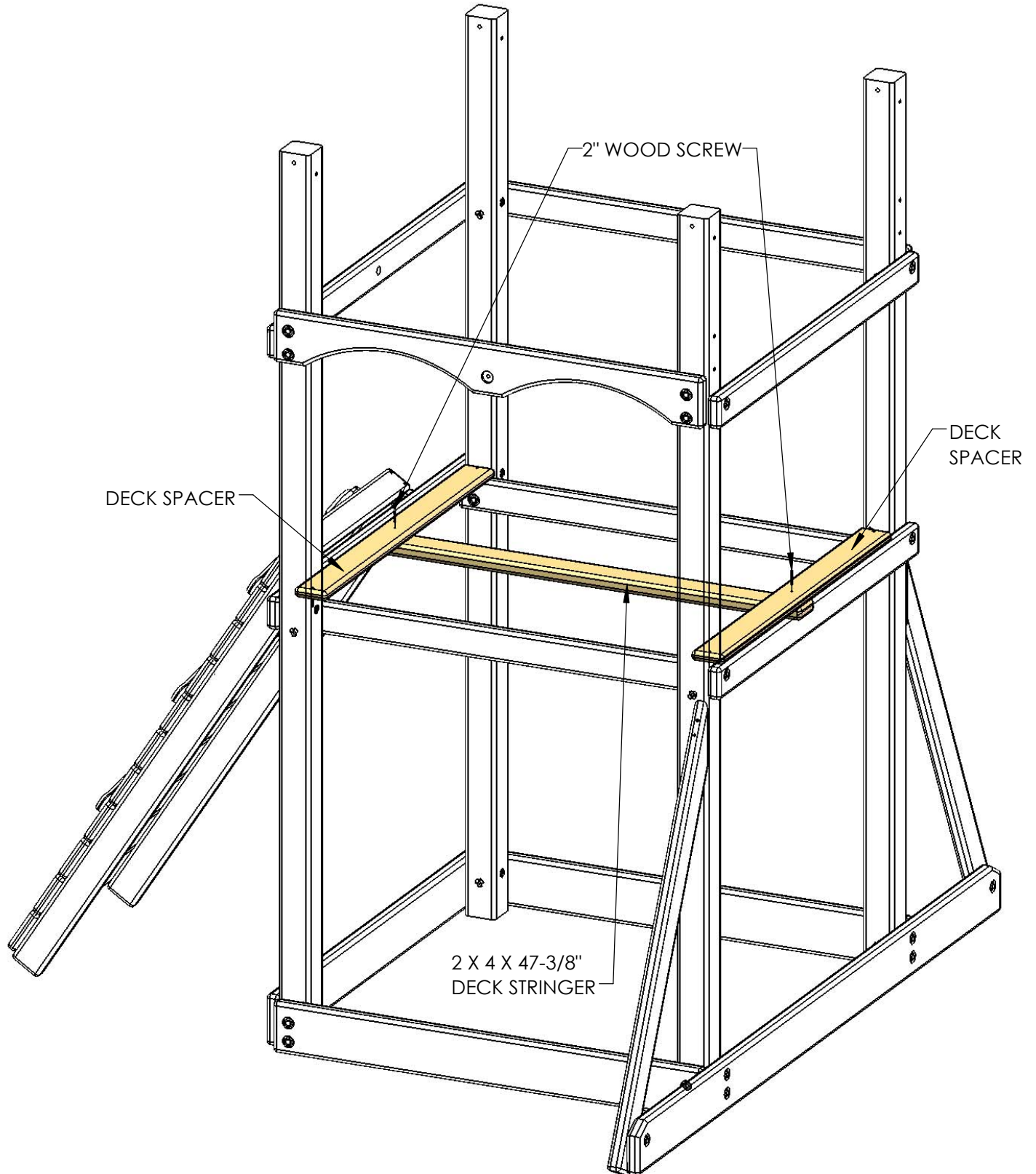
4: INSERT T-NUTS IN THE BACK OF THE HOLES.

5: ATTACH THE 90° BRACKETS TO THE 2 X 4 WITH TWO $\frac{5}{16}$ " X $1\frac{1}{2}$ " HEX BOLTS AND TWO $\frac{5}{16}$ " WASHERS.



STEP 16: DECK STRINGER

- 1: CENTER THE 2 X 4 X 47-3/8" DECK STRINGER UNDERNEATH THE DECK SPACERS.
- 2: ATTACH THE DECK STRINGER TO THE DECK SPACERS WITH TWO 2" WOOD SCREWS.



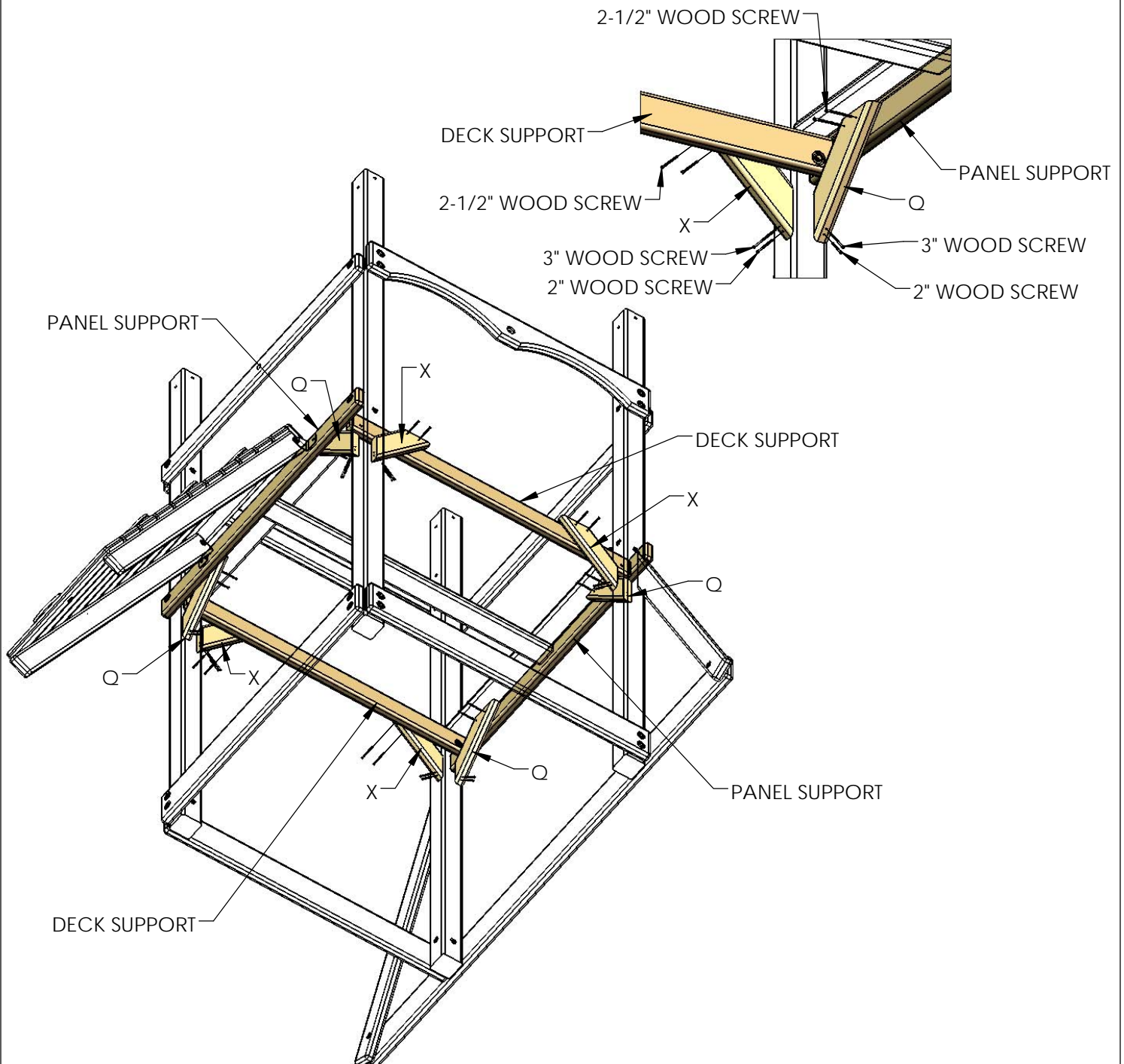
STEP 17: ANGLE SUPPORTS

1: FOUR 2 X 4 X 13" ANGLE SUPPORTS ARE MOUNTED UNDERNEATH THE DECK ON THE LEFT AND RIGHT OF THE FORT. (THESE ARE CALLED OUT BY THE LETTER "X")

2: ATTACH EACH ANGLE SUPPORT (X) TO THE DECK WITH TWO 2-1/2" WOOD SCREWS AT THE TOP GOING THROUGH THE ANGLE SUPPORT (X) INTO THE DECK SUPPORT. ATTACH THE BOTTOM OF THE ANGLE SUPPORT (X) TO THE CORNER POST WITH ONE 2" WOOD SCREW AND ONE 3" WOOD SCREW.

3: FOUR 2 X 4 X 13" ANGLE SUPPORTS ARE MOUNTED UNDERNEATH THE DECK ON THE FRONT AND REAR SIDES OF THE FORT. (THESE ARE CALLED OUT BY THE LETTER "Q")

4: ATTACH EACH ANGLE SUPPORT (Q) TO THE PANEL SUPPORT WITH TWO 2-1/2" WOOD SCREWS AT THE TOP GOING THROUGH THE ANGLE SUPPORT (Q) FIRST AND THEN INTO THE PANEL SUPPORT. ATTACH THE BOTTOM OF THE ANGLE SUPPORT (Q) TO THE CORNER POST WITH ONE 2" WOOD SCREW AND ONE 3" WOOD SCREW.



STEP 18: LADDER ASSEMBLY

1: LAY ONE 2 X 4 X 57" LADDER SIDE ON A FLAT SURFACE WITH CHANNELS FACING DOWN. PLACE THE BARREL OF A T-NUT IN THE HOLE AT THE TOP OF THE LADDER SIDE, AND SECURE WITH A HAMMER. REPEAT THIS STEP FOR THE OTHER LADDER SIDE.

2: FLIP THE LADDER SIDE OVER SO THAT THE CHANNELS ARE FACING UP.

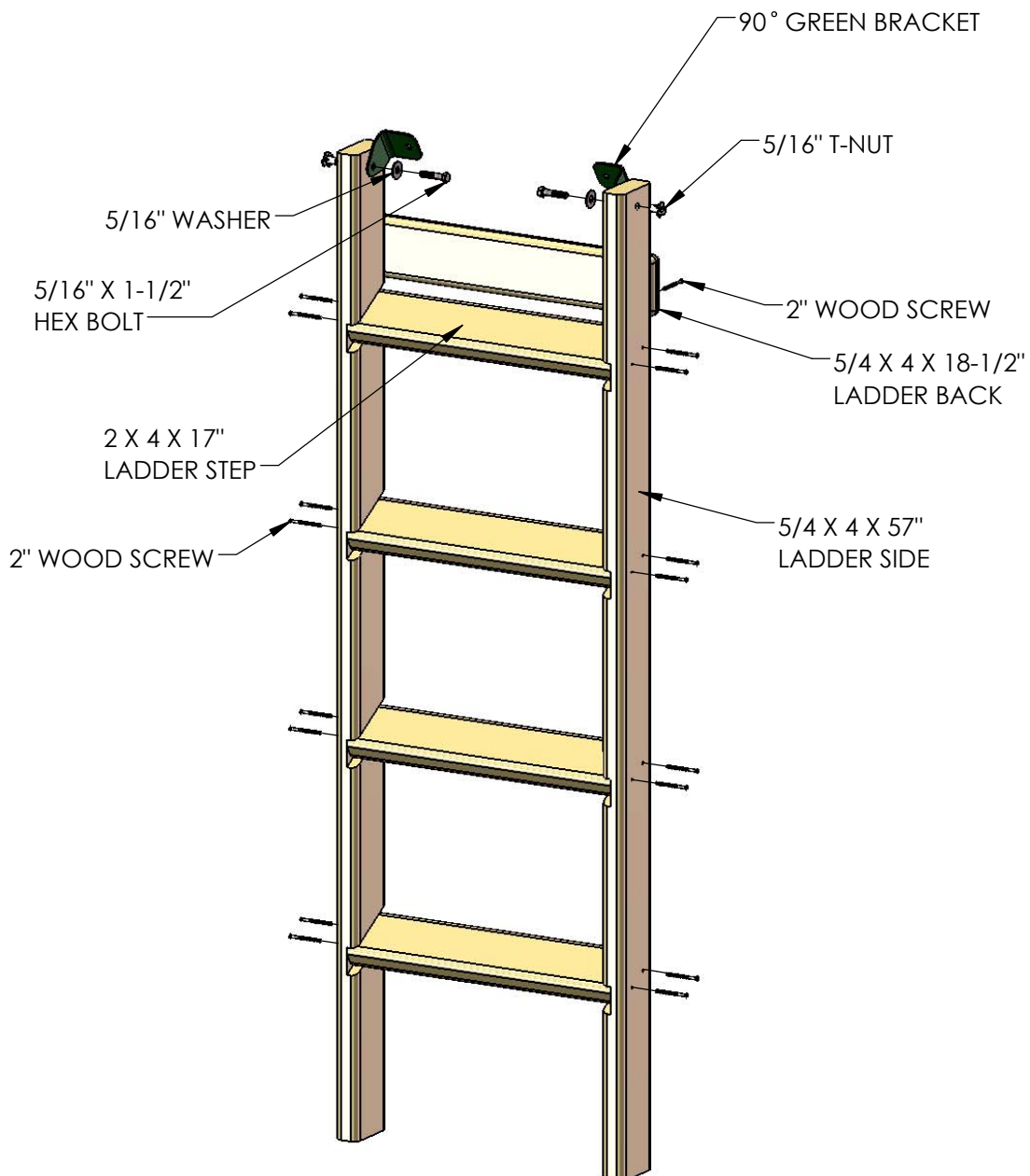
3: PLACE THE LADDER STEPS INTO THE CHANNELS, AND THEN PLACE THE SECOND LADDER SIDE ON TOP, WITH THE CHANNELS FACING DOWN.

4: NOW PLACE TWO 2" WOOD SCREWS IN EACH STEP.

5: CAREFULLY TURN THE LADDER OVER AND FINISH THE OTHER SIDE WITH TWO 2" WOOD SCREWS PER STEP.

6: INSTALL TWO 90 GREEN BRACKETS USING 5/16" X 1-1/2" BOLTS AND 5/16" WASHERS.

7: INSTALL THE 5/4 X 4 X 18 1/2" LADDER BACK ABOVE THE OPENING OF THE TOP CHANNELS WITH TWO 2" WOOD SCREW PER SIDE.



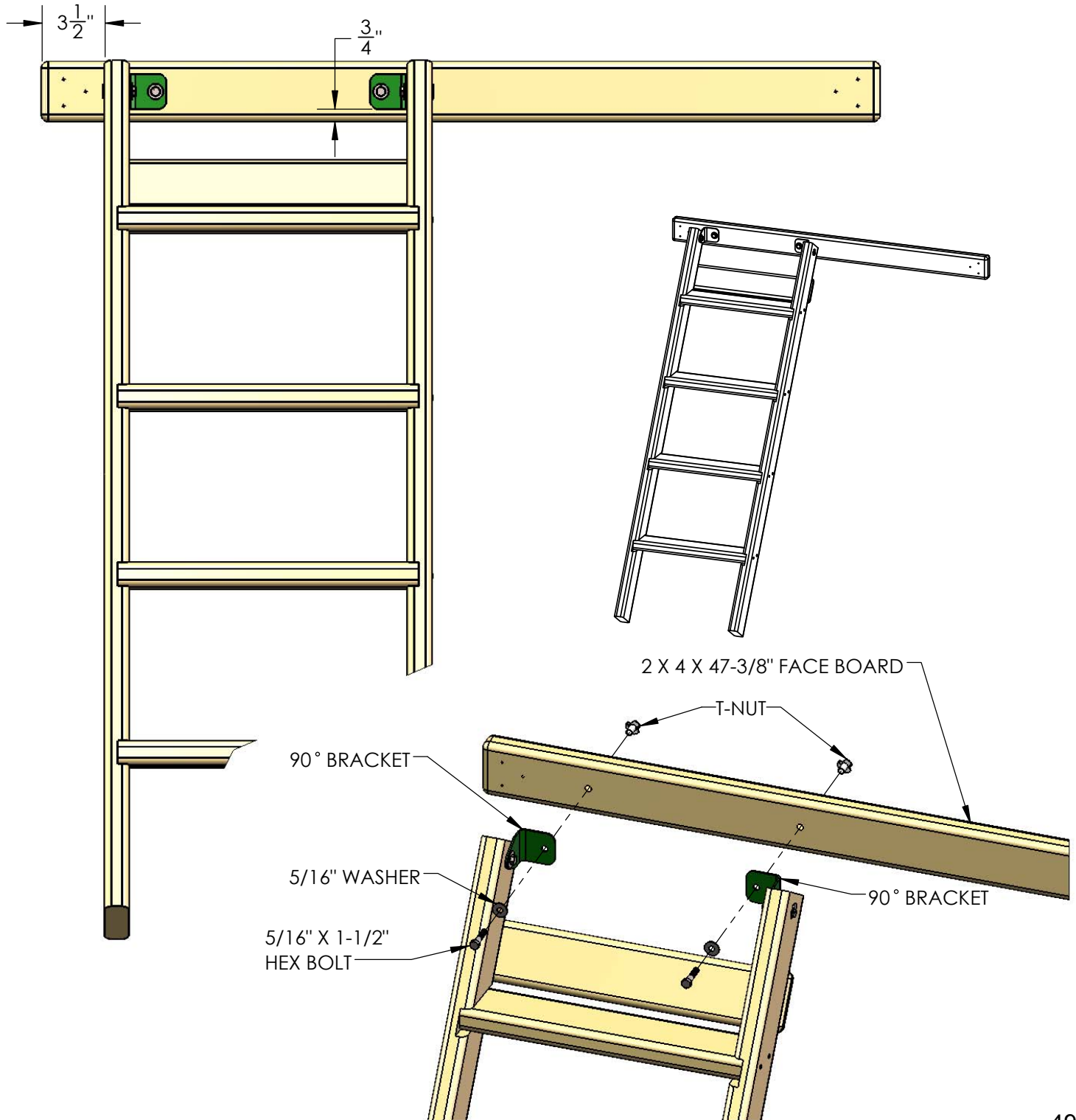
STEP 19: ATTACHING THE LADDER

1: LAY THE 2 X 4 X 47-3/8" FACE BOARD ON A FLAT SURFACE AND PLACE THE LADDER ON TOP OF IT. MAKE SURE THE LEFT SIDE OF THE LADDER IS 3-1/2" FROM THE LEFT END OF THE FACE BOARD. THE BOTTOM EDGE OF THE 90° BRACKETS SHOULD BE 3/4" UP FROM THE BOTTOM EDGE OF THE 2 X 4. MARK THE POSITION OF THE BRACKET HOLES ON THE 2 X 4 AS SHOWN BELOW.

2: DRILL 3/8" HOLES WHERE MARKED.

3: INSERT 5/16" T-NUTS IN THE BACK OF THE HOLES.

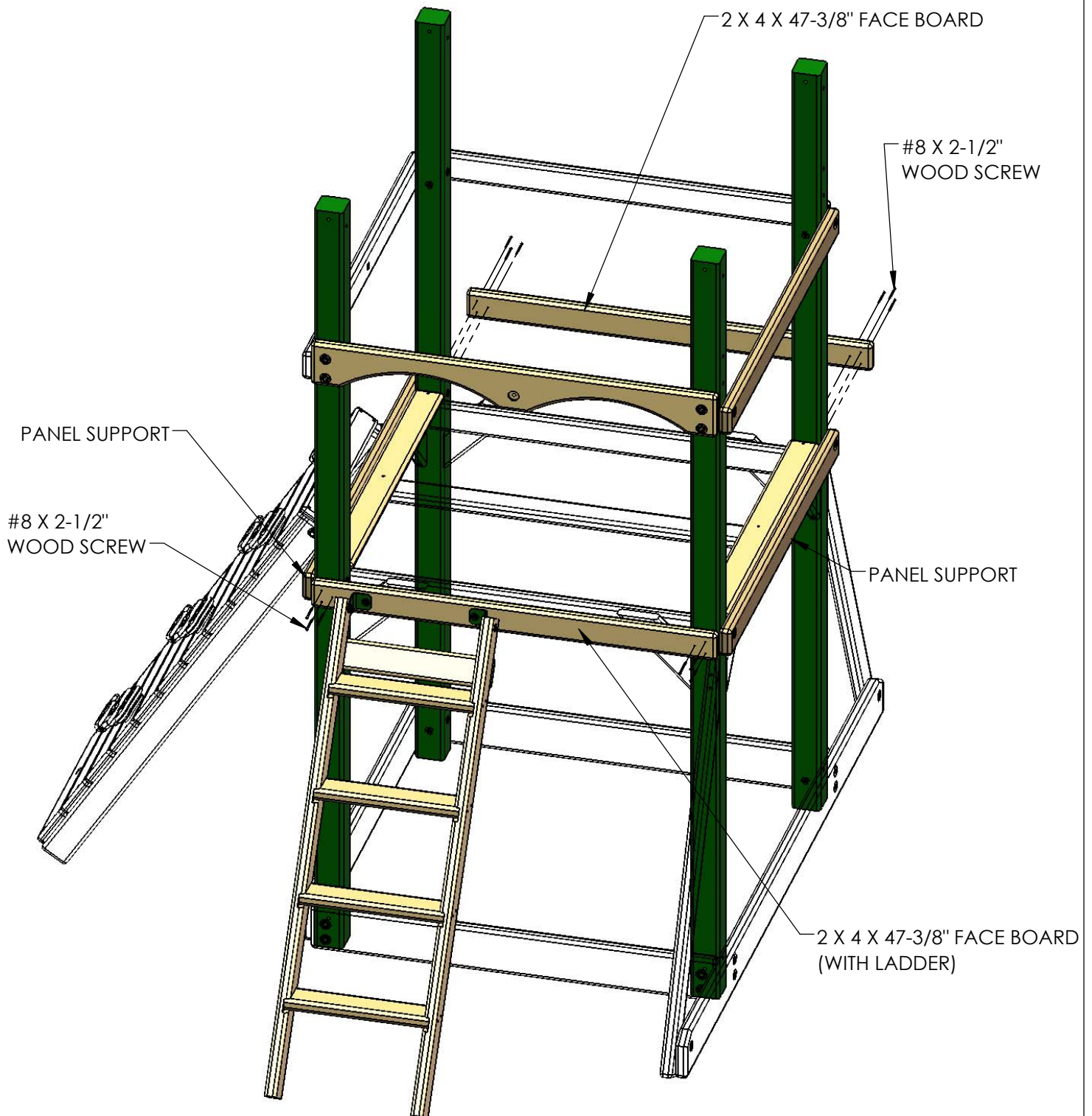
4: ATTACH THE 90° BRACKETS TO THE 2 X 4 WITH TWO 5/16" X 1-1/2" HEX BOLTS AND TWO 5/16" WASHERS.



STEP 20: FACE BOARDS

1: PLACE THE FACE BOARD (WITH LADDER) ONTO THE FRONT OF THE PLAY SET MAKING SURE THE TOP SIDE IS FLUSH WITH THE TOP SIDE OF THE PANEL SUPPORTS. ATTACH IT TO THE CORNER POSTS USING SIX #8 X 2-1/2" WOOD SCREWS.

2: ATTACH THE ANOTHER FACE BOARD TO THE REAR OF THE PLAY SET MAKING SURE THE TOP SIDE IS FLUSH WITH THE TOP SIDE OF THE PANEL SUPPORTS. ATTACH IT TO THE CORNER POSTS USING SIX #8 X 2-1/2" WOOD SCREWS.

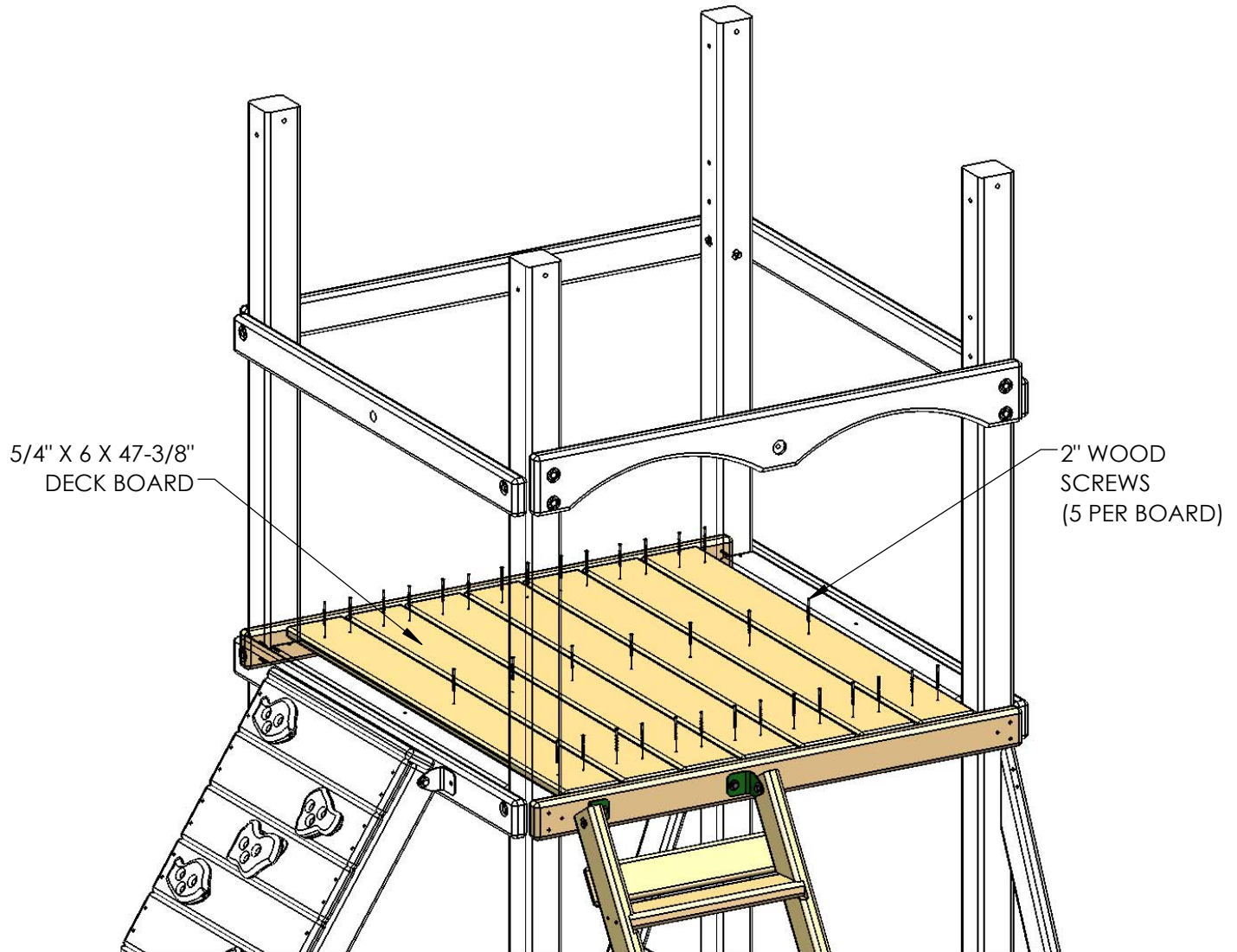


STEP 21: DECK BOARDS

1: SEVEN 5/4" X 6 X 47-3/8" DECK BOARDS WILL LAY ACROSS THE DECK SUPPORTS, FLUSH TO THE FACE BOARDS. THERE WILL BE APPROXIMATELY A 1/4" GAP BETWEEN EACH DECK BOARD.

2: SPACE THE DECK BOARDS EVENLY ACROSS THE SUPPORTS.

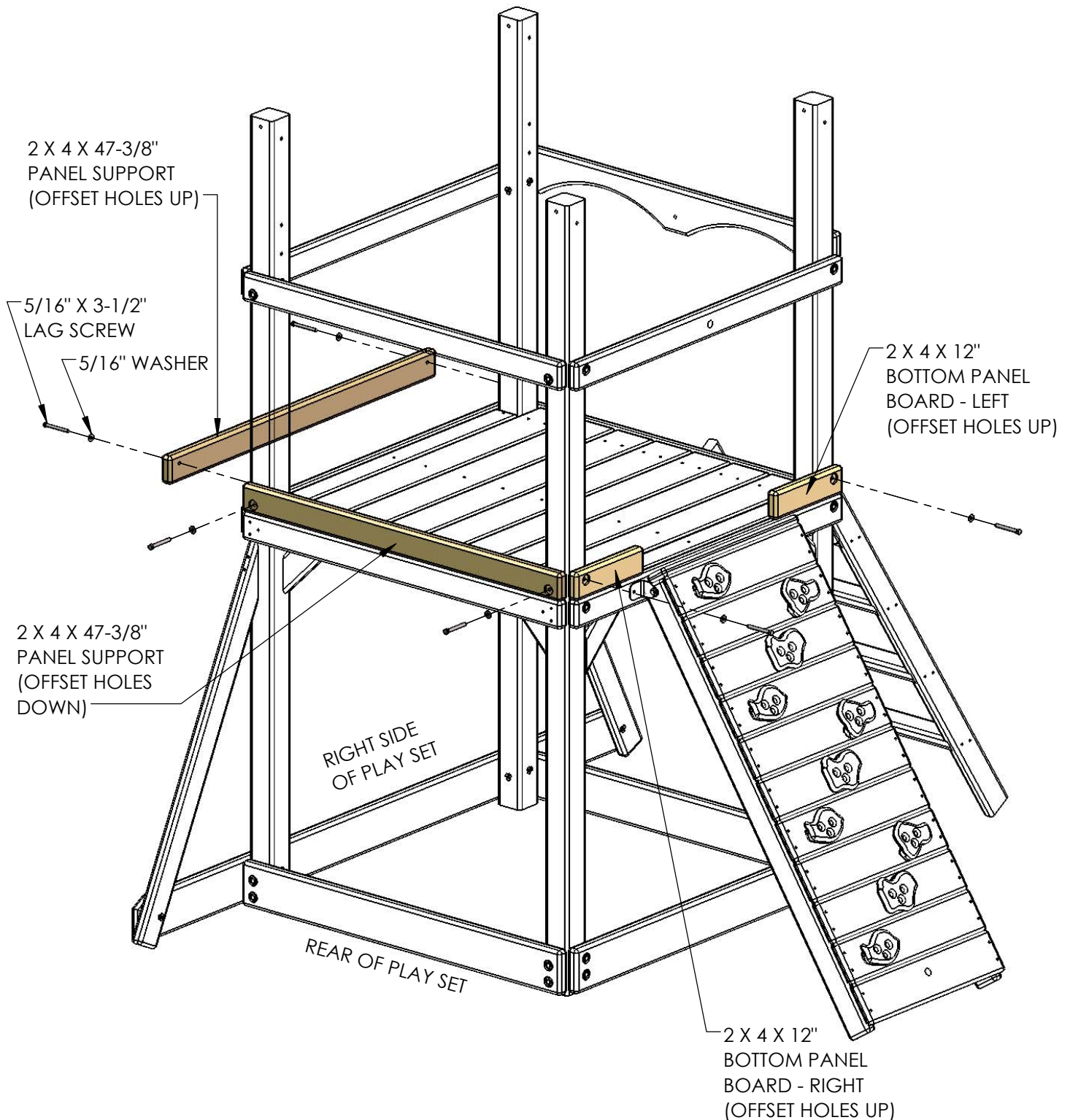
3: SECURE EACH DECK BOARD TO THE DECK SUPPORTS AND THE DECK STRINGER WITH FIVE 2" WOOD SCREWS, TWO PER END AND ONE IN THE CENTER.



STEP 22: PANEL BOARDS

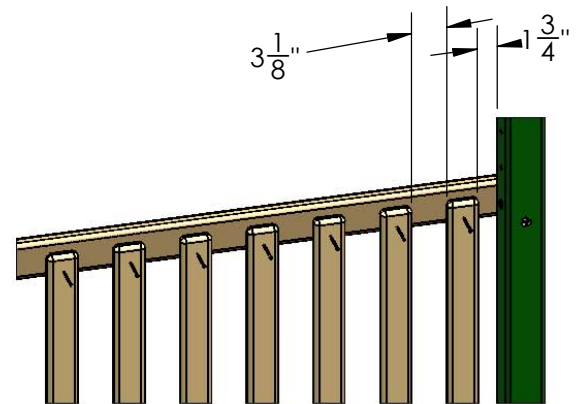
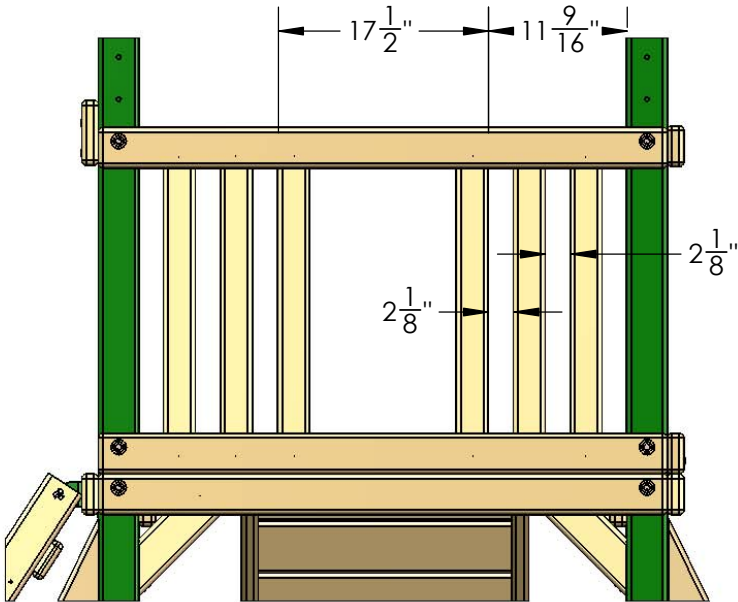
1: PLACE THE 2 X 4 X 12" BOTTOM PANEL BOARD - LEFT AND 2 X 4 X 12" BOTTOM PANEL BOARD - RIGHT ON TOP OF THE 2 X 4 AT THE LEFT SIDE OF THE PLAY SET AS SHOWN BELOW WITH OFFSET HOLES UP. ATTACH EACH BOTTOM PANEL BOARD WITH ONE 5/16" X 3-1/2" LAG SCREW AND ONE 5/16" WASHER.

2: PLACE THE 2 X 4 X 47-3/8" PANEL SUPPORTS ON TOP OF THE RIGHT SIDE AND REAR SIDE OF THE PLAY SET WITH OFFSET HOLES UP AT THE RIGHT SIDE OF PLAY SET AND OFFSET HOLES DOWN AT THE REAR SIDE OF PLAY SET. ATTACH THE PANEL SUPPORTS USING 5/16" X 3-1/2" LAG SCREWS AND 5/16" WASHERS.

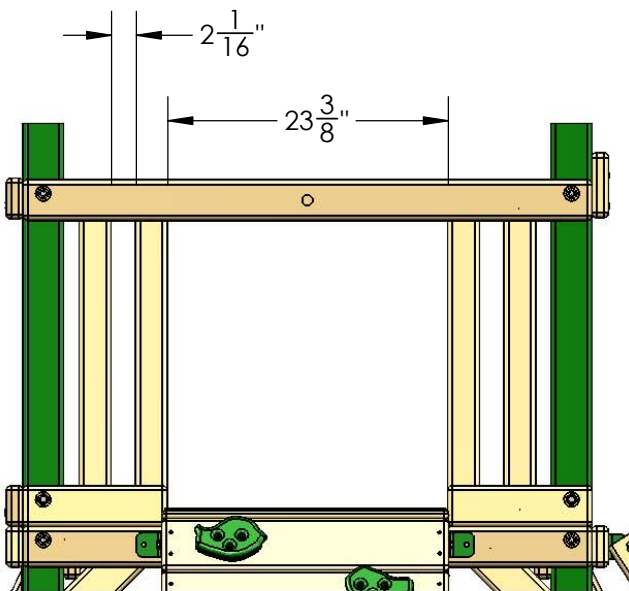


STEP 23: PANEL SLATS

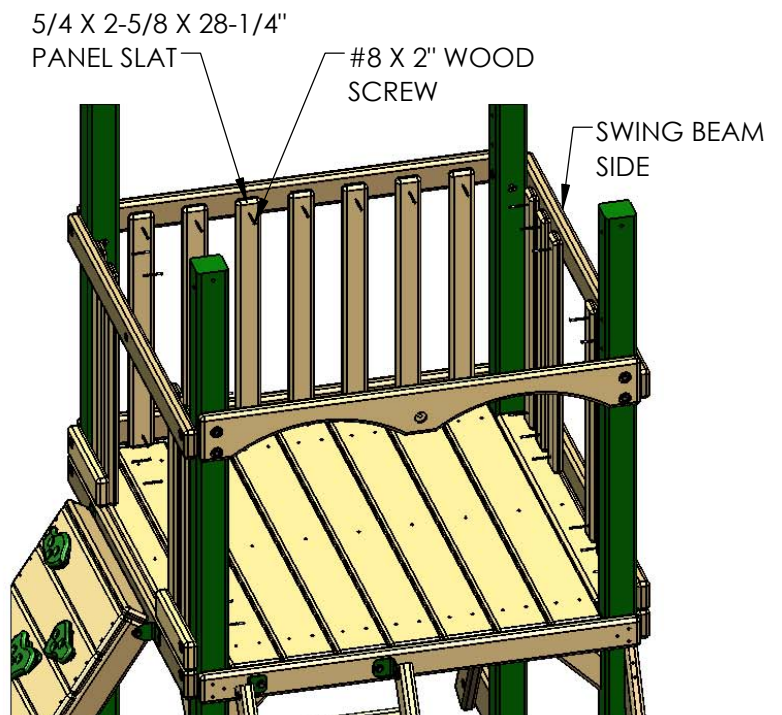
- 1: FIND SEVENTEEN $5/4 \times 2-5/8 \times 28-1/4$ " PANEL SLATS.
- 2: INSTALL THE PANEL SLATS AT EQUAL LENGTHS. SEE DETAIL BELOW FOR MEASUREMENTS.
- 3: ATTACH THE PANEL SLATS TO THE FORT WITH 2" WOOD SCREWS IN THE PRE-DRILLED HOLES.



BACK WALL
PANEL SLAT DIMENSIONS

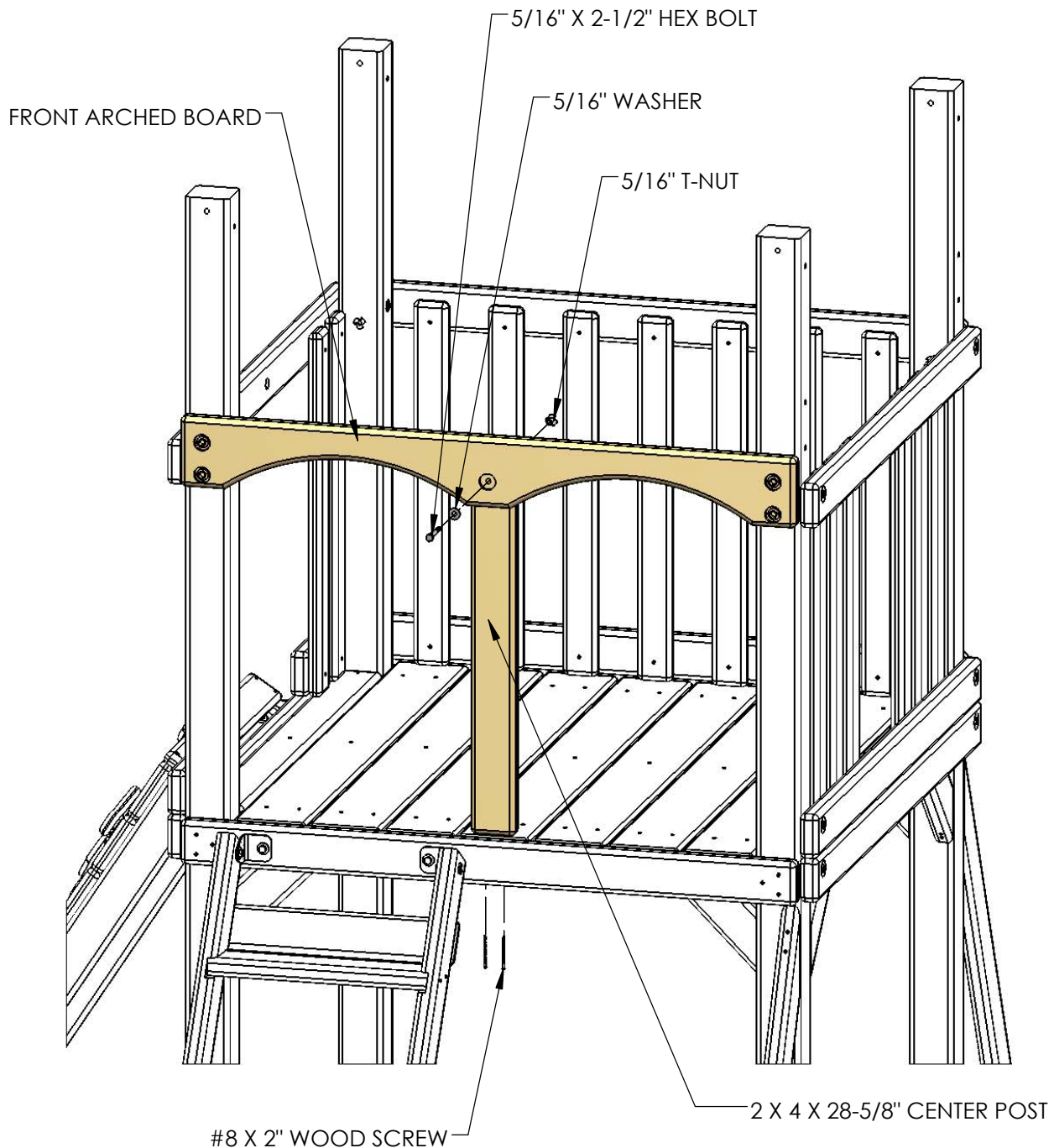


ROCK WALL SIDE
PANEL SLAT DIMENSIONS
(VIEW FROM OUTSIDE
THE PLAY SET)



STEP 24: CENTER POST

- 1: HAMMER A T-NUT INTO THE HOLE OF THE 2 X 4 X 28-5/8" CENTER POST.
- 2: PLACE THE CENTER POST INSIDE THE FRONT ARCHED BOARD. LINE UP THE HOLES IN THE CENTER POST WITH THE HOLE IN THE FRONT ARCHED BOARD.
- 3: FASTEN THE CENTER POST TO THE FRONT ARCHED BOARD WITH A 5/16" X 2-1/2" HEX BOLT AND 5/16" WASHER AT THE TOP.
- 4: SQUARE EACH CENTER POST TO THE DECK AND SECURE THE BOTTOM OF THE CENTER POST TO THE DECK BOARDS WITH TWO #8 X 2-1/2" WOOD SCREWS.

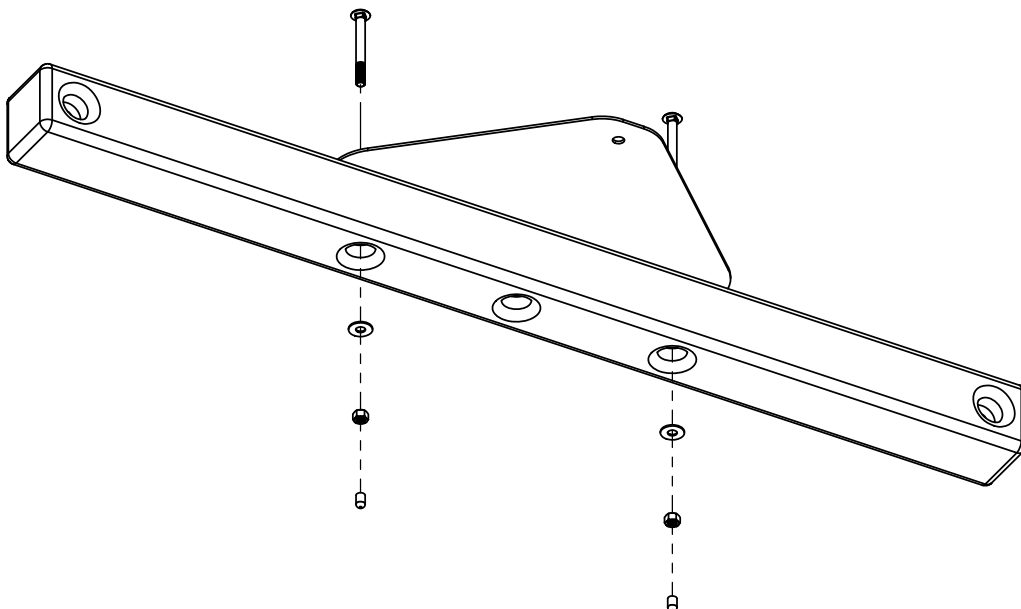
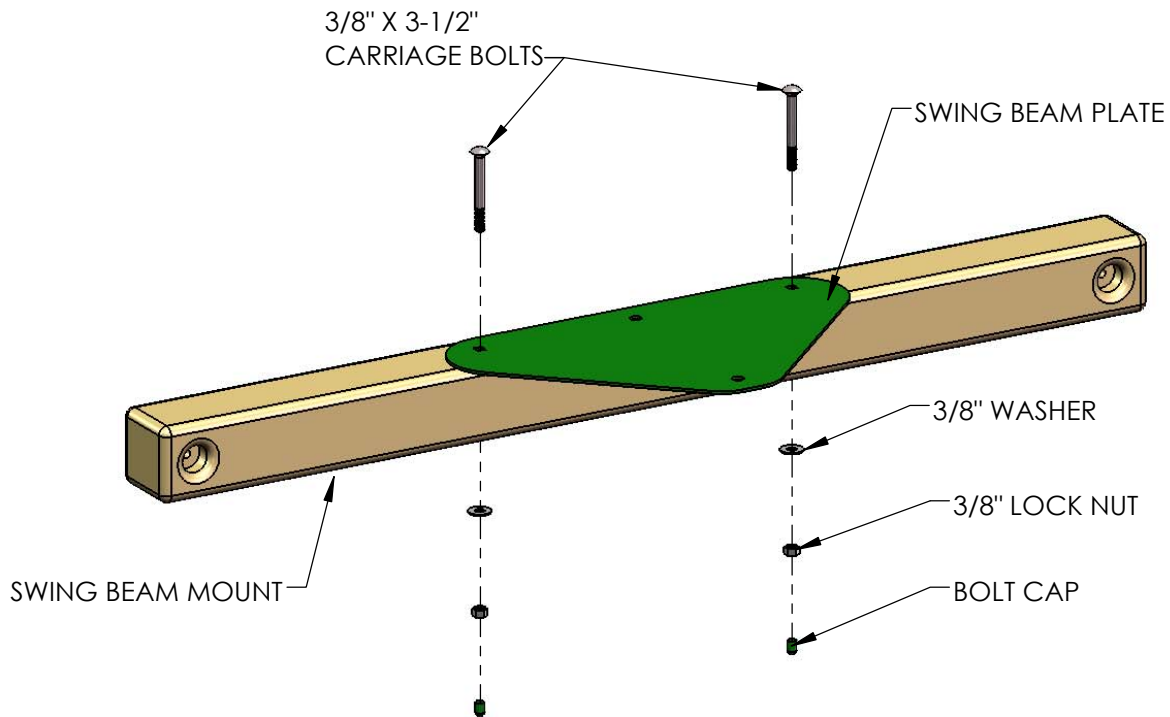


STEP 25: SWING BEAM PLATE

1: PLACE THE SWING BEAM PLATE ON TOP OF THE SWING BEAM MOUNT, LINING UP THE PILOT HOLES.

2: FASTEN THE SWING BEAM PLATE TO THE SWING BEAM MOUNT ON THE OUTSIDE HOLES USING 3/8" X 3-1/2" CARRIAGE BOLTS FROM THE TOP AND 3/8" WASHERS WITH 3/8" LOCK NUTS ON THE BOTTOM. PLACE BOLT CAPS OVER EXPOSED THREADS AFTER SECURING.

3: LEAVE THE MIDDLE HOLE EMPTY, IT WILL BE USED LATER.

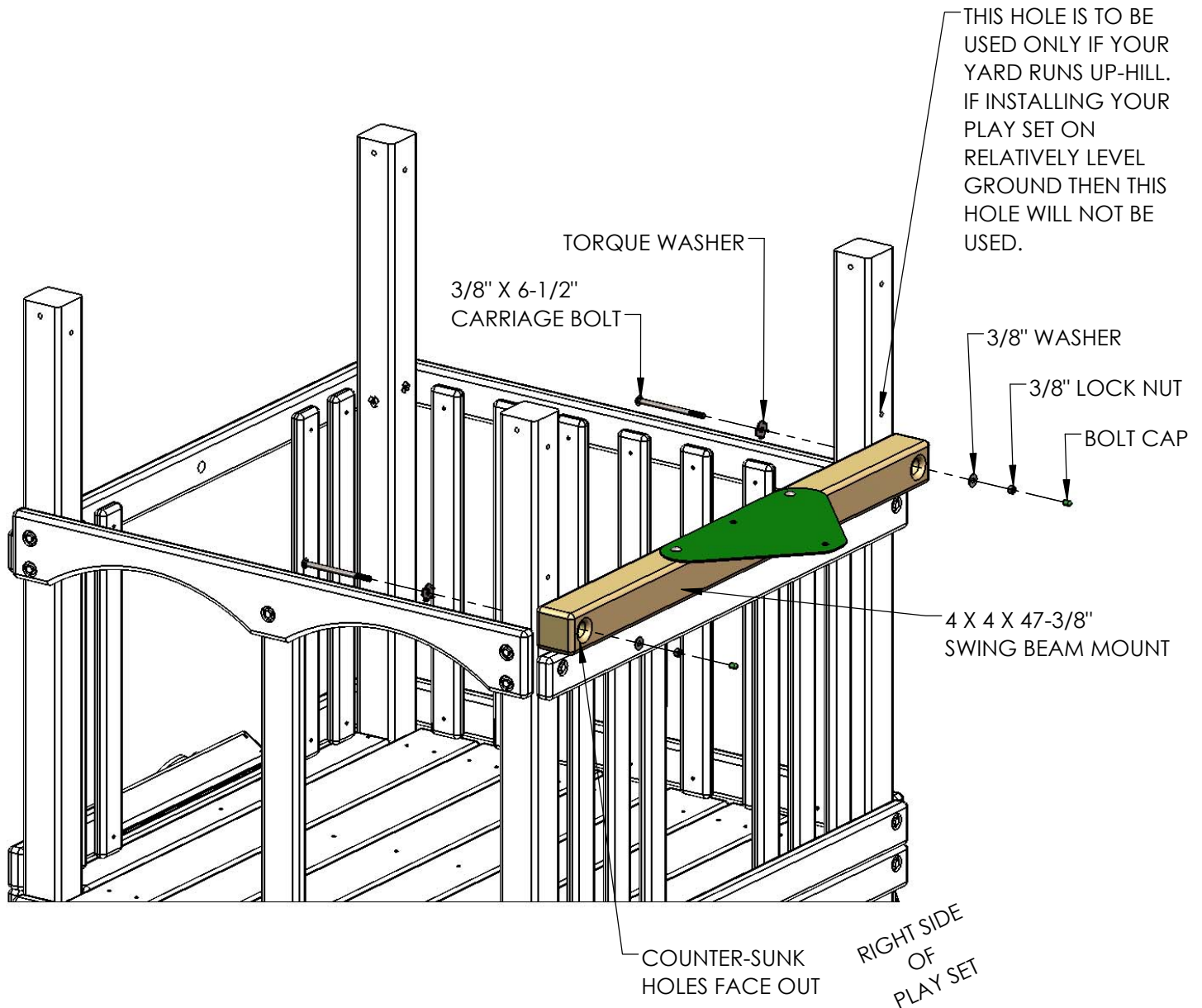


STEP 26: SWING BEAM MOUNT

1: THE 4 X 4 X 47-3/8" SWING BEAM MOUNT HAS COUNTER-SUNK HOLES IN THE CENTER AND ON THE ENDS. INSTALL THE SWING BEAM MOUNT SO THAT THE COUNTER-SUNK HOLES ON EACH END OF THE BEAM FACE OUT, AND THE COUNTER-SUNK HOLES IN THE CENTER FACE DOWN.

2: FASTEN THE SWING BEAM MOUNT TO THE RIGHT CORNER POST USING 3/8" X 6-1/2" CARRIAGE BOLTS AND TORQUE WASHERS. PLACE THE CARRIAGE BOLT INTO THE TORQUE WASHER, THEN INTO THE HOLE OF THE CORNER POST AND SET WITH A HAMMER. USE 3/8" LOCK NUTS AND 3/8" WASHERS TO SECURE THE SWING BEAM MOUNT FROM THE OUTSIDE. PLACE BOLT CAPS OVER THE EXPOSED THREADS AFTER SECURING.

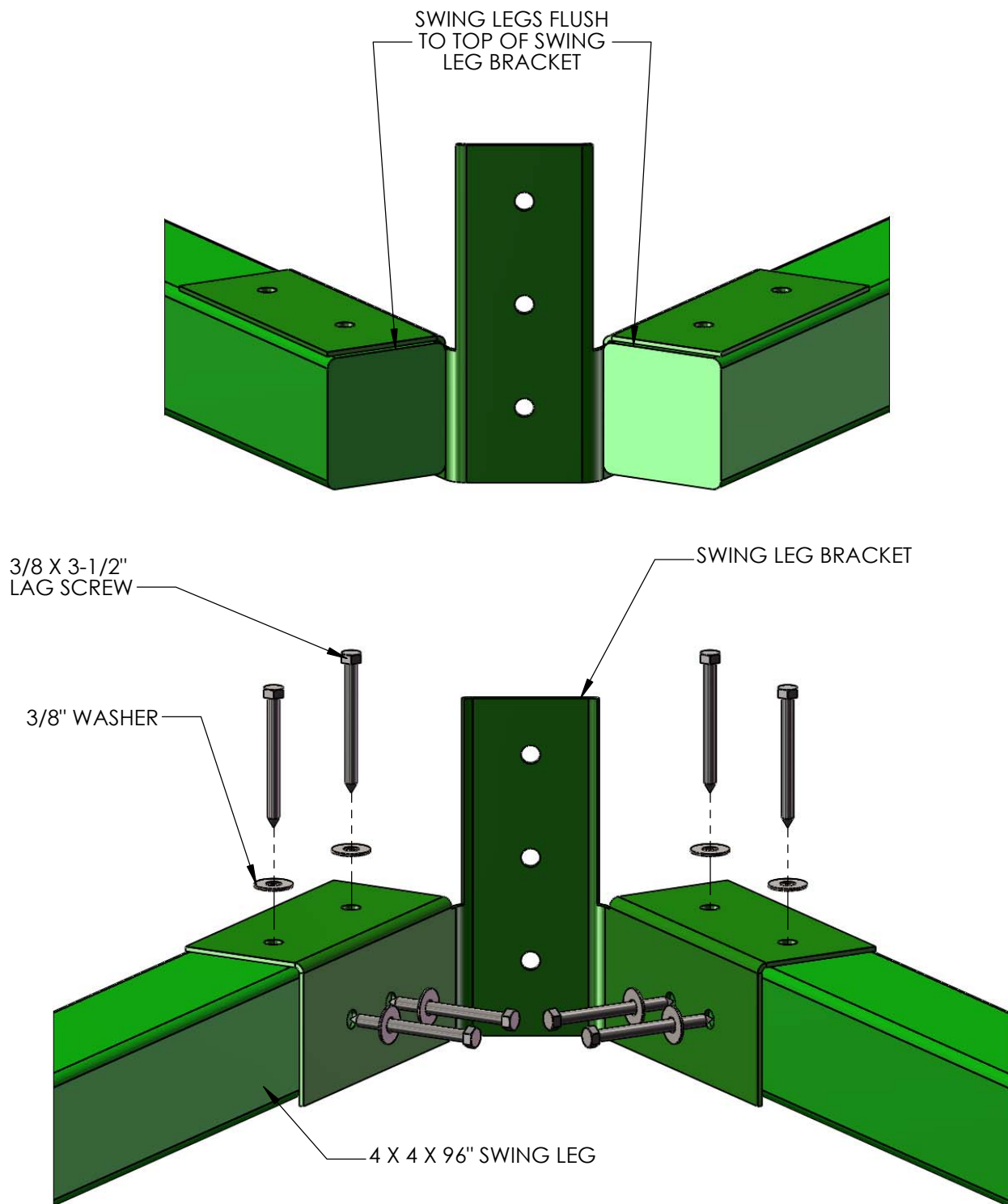
NOTE: THERE ARE TWO MOUNTING POSITIONS FOR THE SWING BEAM MOUNT. USE THE LOWER HOLES IN THE RIGHT CORNER POSTS IF YOUR YARD IS RELATIVELY FLAT. IF YOUR YARD RUNS UPHILL THEN YOU SHOULD USE THE UPPER HOLES IN THE RIGHT CORNER POSTS.



STEP 27: ATTACH SWING LEGS TO BRACKET

1: PLACE THE 4 X 4 X 96" SWING LEGS FLUSH TO THE TOP OF THE SWING LEG BRACKET.

2: FASTEN THE SWING LEGS TO THE SWING LEG BRACKET WITH 3/8 X 3-1/2" LAG SCREWS AND 3/8" WASHERS.

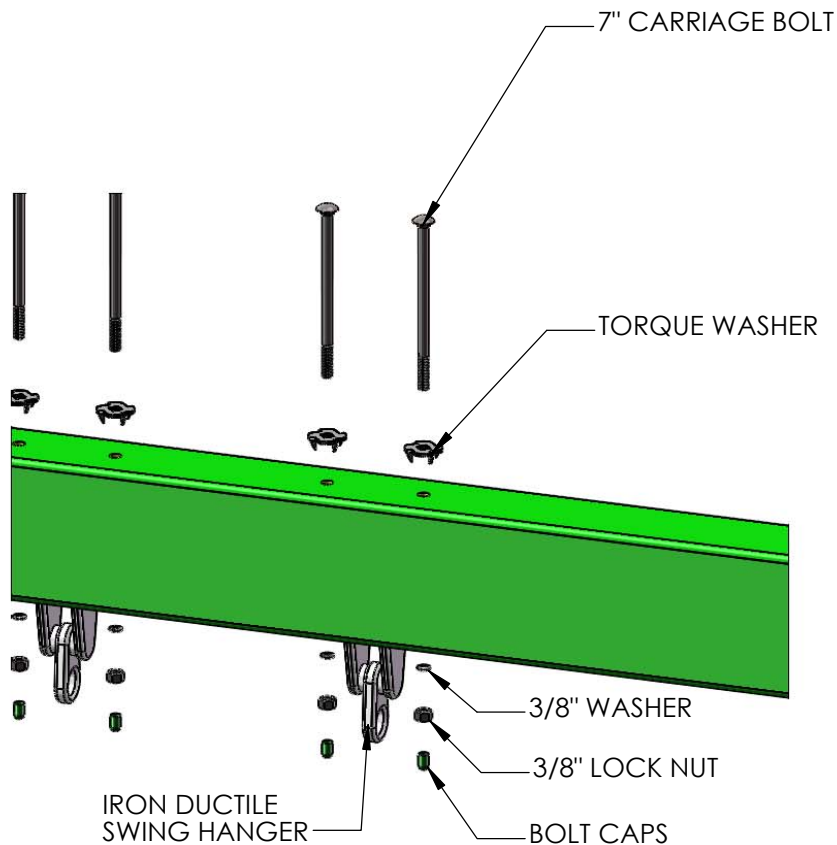
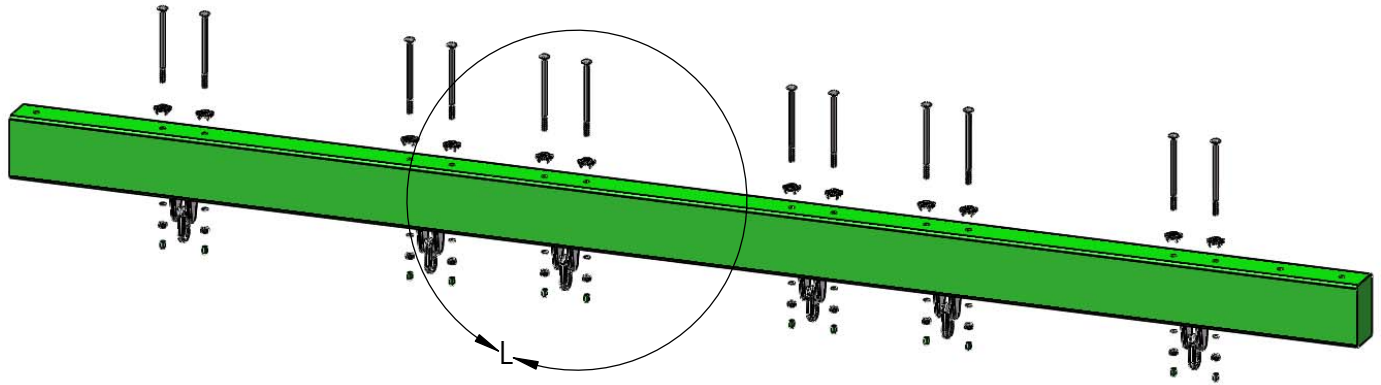


STEP 28: IRON DUCTILE SWING HANGERS

1: LINE UP THE HOLES OF THE IRON DUCTILE SWING HANGERS WITH THE HOLES IN THE SWING BEAM. IF YOUR BEAM IS BOWED SLIGHTLY PLACE THE BOW SIDE UP; THE SWING HANGERS WILL BE ON THE BOTTOM.

2: FASTEN EACH SWING HANGER TO THE SWING BEAM USING 7" CARRIAGE BOLTS WITH TORQUE WASHERS, AND 3/8" WASHERS WITH 3/8" LOCK NUTS.

3: PLACE BOLT CAPS OVER EXPOSED THREADS.

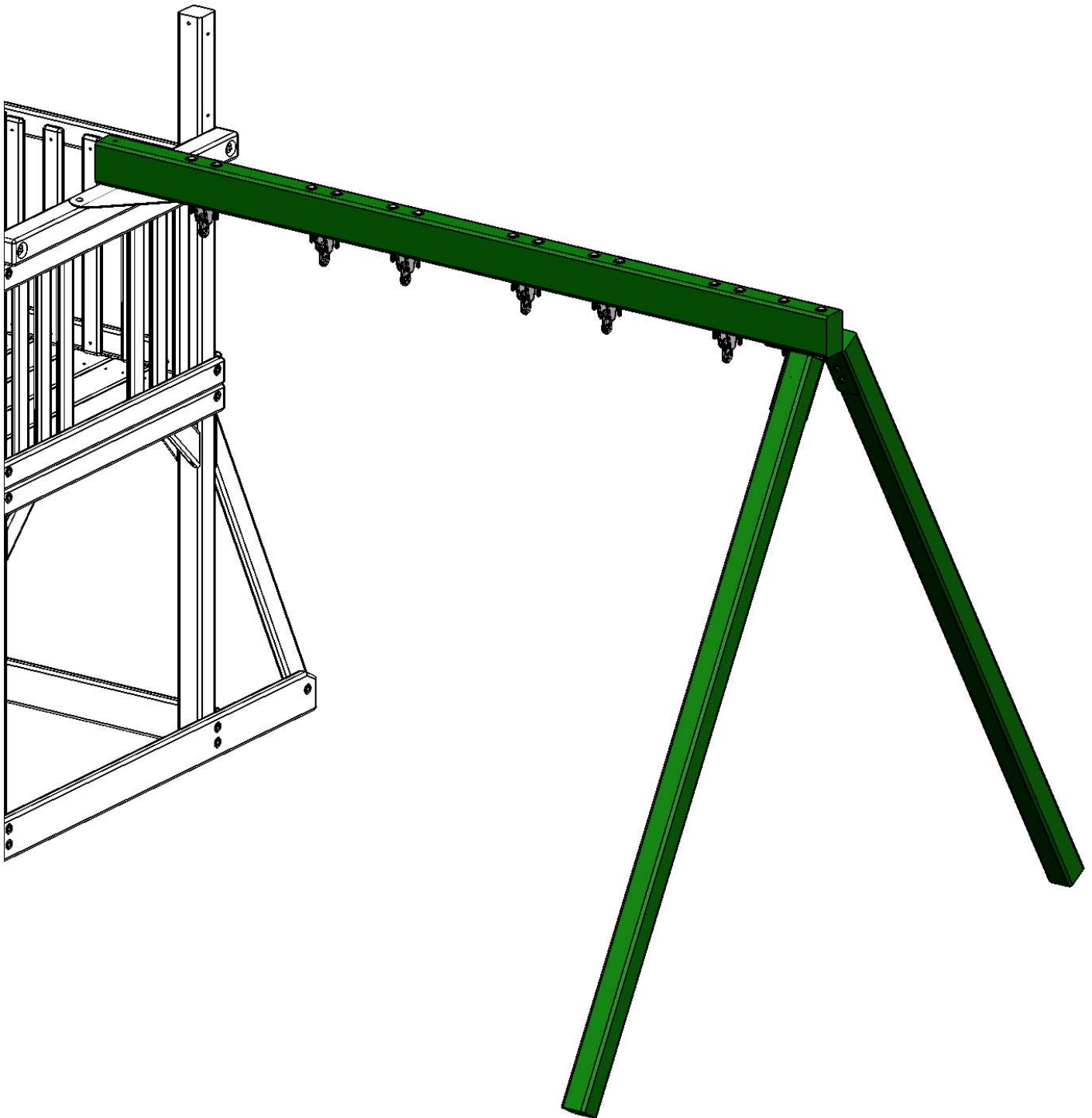


STEP 29: REST SWING BEAM ON FORT

*TWO PEOPLE ARE REQUIRED FOR THIS STEP.

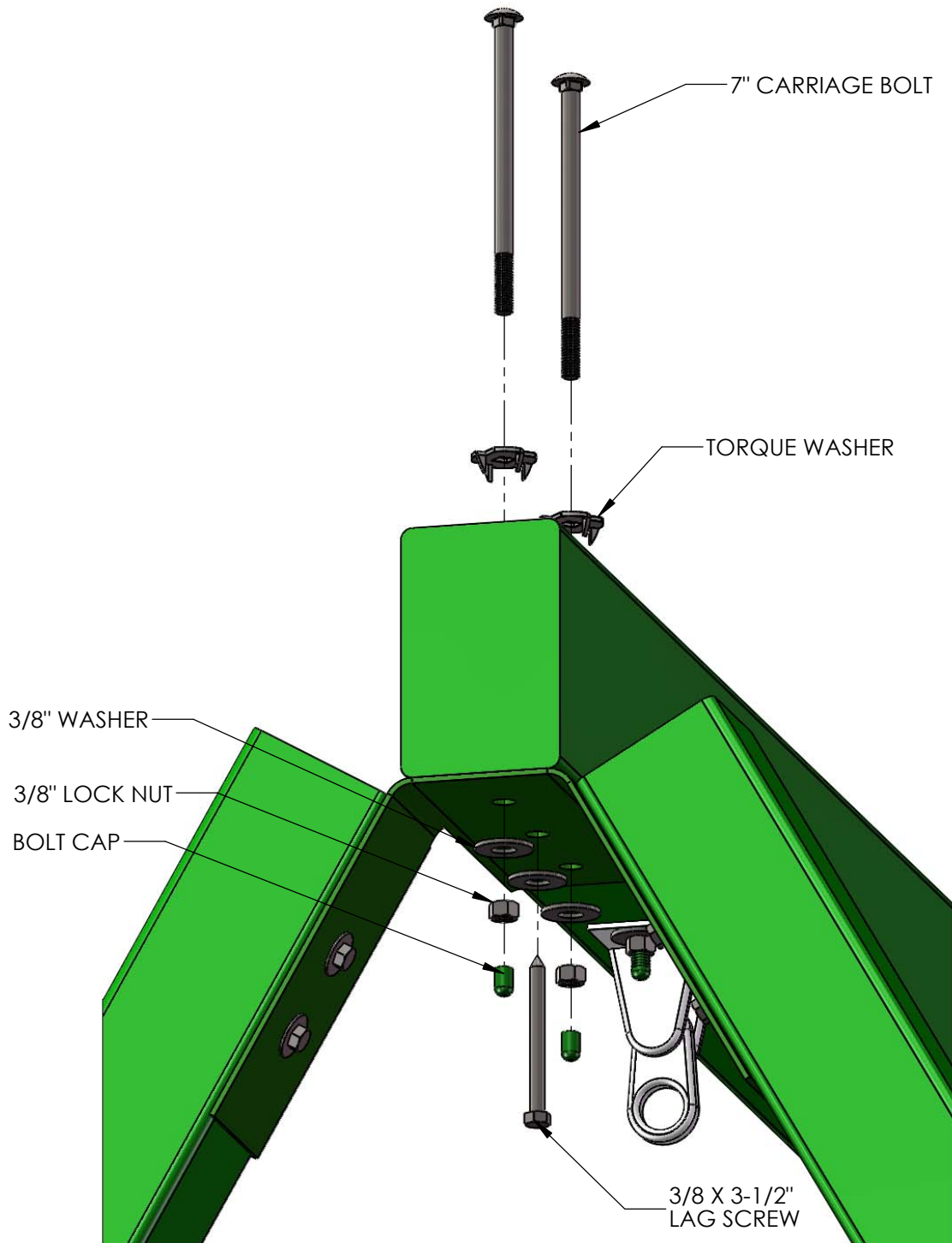
1: SIT THE SWING BEAM LEGS UPRIGHT.

2: LINE UP THE PRE-DRILLED HOLES AND REST THE SWING BEAM ON TOP OF THE FORT AND SWING LEGS. MAKE SURE THE IRON DUCTILES ARE FACING DOWN.



STEP 30: MOUNT SWING BEAM TO SWING BEAM LEGS

- 1: FASTEN THE SWING BEAM TO THE SWING BEAM BRACKET USING 7" CARRIAGE BOLTS WITH TORQUE WASHERS ON TOP OF THE SWING BEAM, AND 3/8" LOCK NUTS WITH 3/8" WASHERS FROM UNDERNEATH.
- 2: USE A 3/8 X 3-1/2" LAG SCREW WITH 3/8" WASHER FOR THE HOLE IN THE CENTER OF THE SWING BEAM BRACKET.
- 3: PLACE A BOLT CAP OVER ANY EXPOSED THREADS.



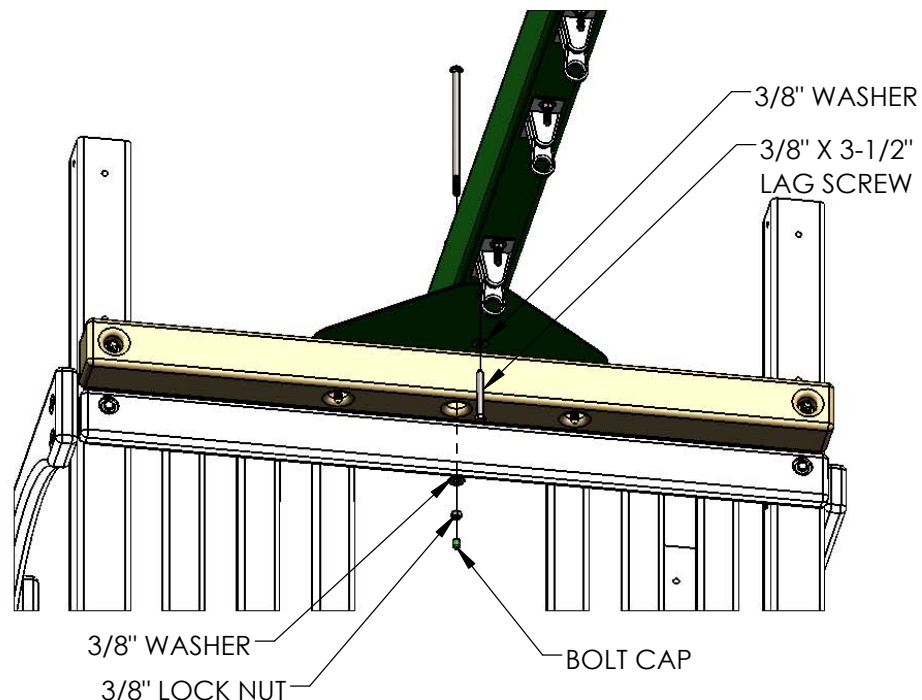
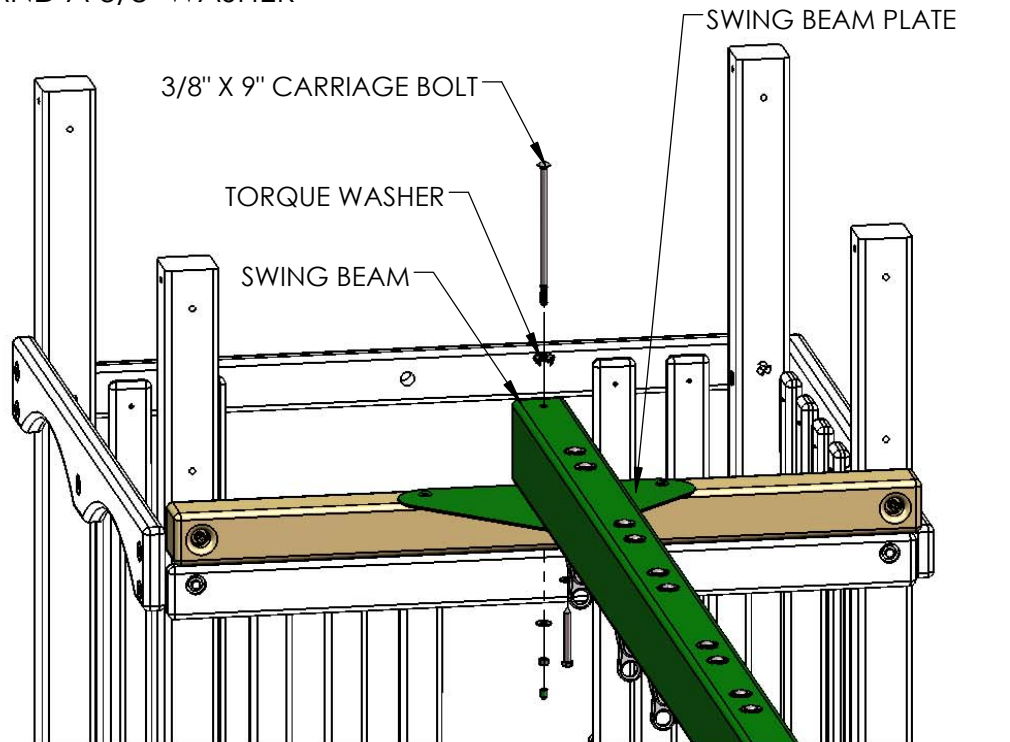
STEP 31: SWING BEAM TO FORT

*AN EXTRA PERSON IS REQUIRED FOR THIS STEP.

1: HAVE ONE PERSON LINE UP THE HOLE IN THE END OF THE SWING BEAM WITH THE MIDDLE HOLE ON THE SWING BEAM PLATE. THE OTHER PERSON MAY HAVE TO CARRY THE OTHER END WHERE THE LEGS ARE LOCATED TO ACCOMPLISH THIS TASK.

2: FASTEN THE SWING BEAM TO THE SWING BEAM PLATE AND SWING BEAM MOUNT USING A 3/8" X 9" CARRIAGE BOLT WITH A TORQUE WASHER ON TOP AND A 3/8" LOCK NUT AND WASHER ON THE BOTTOM. PLACE GREEN BOLT CAPS OVER EXPOSED THREADS AFTER SECURING.

3: FASTEN THE SWING BEAM TO THE SWING BEAM PLATE FROM UNDERNEATH WITH A 3/8" X 3-1/2" LAG SCREW AND A 3/8" WASHER



STEP 32: LEVEL THE SWING BEAM

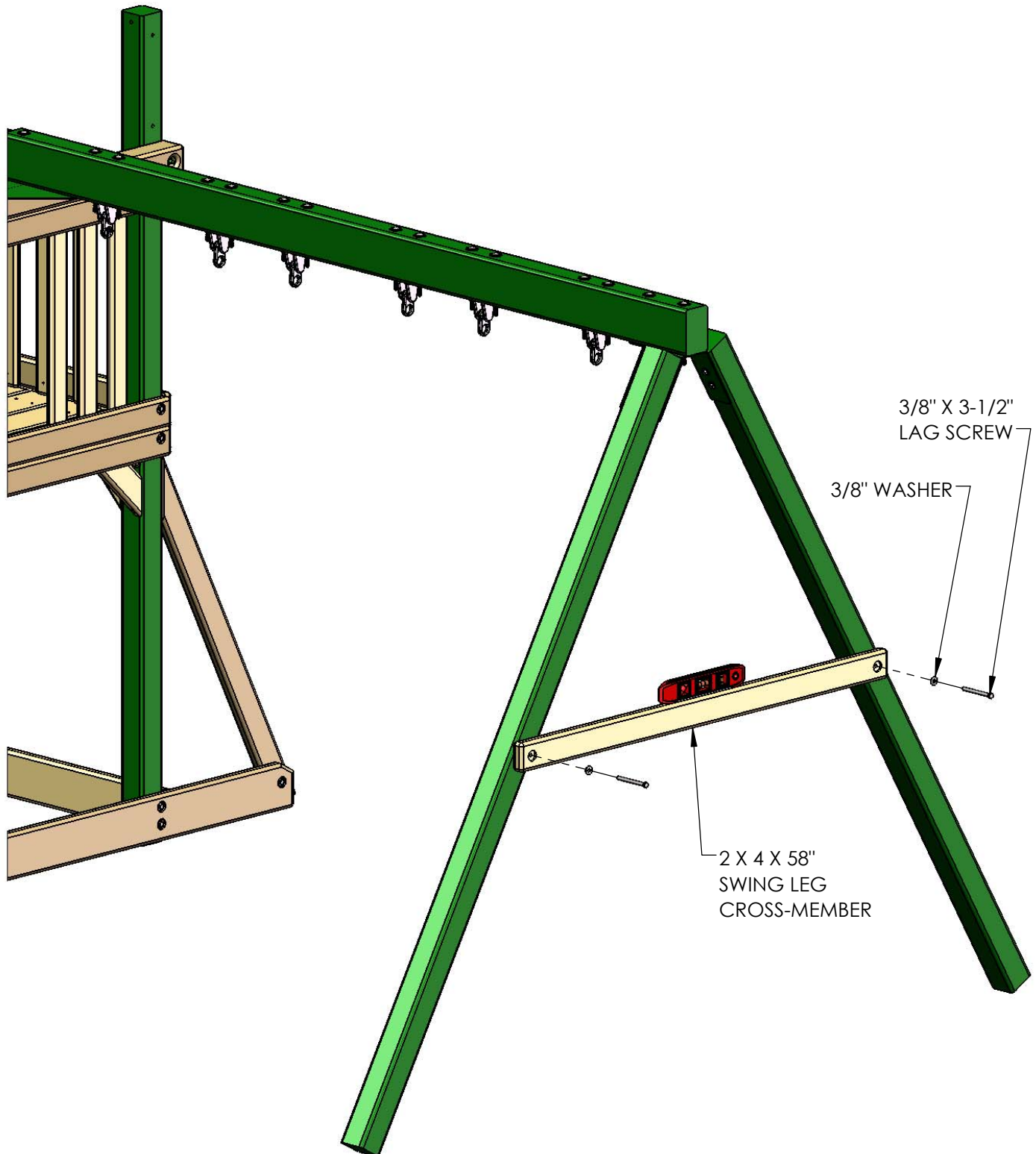
1: PLACE A LEVEL ON TOP OF THE SWING BEAM AND ADJUST THE LEGS IN OR OUT AS NEEDED TO MAKE THE SWING BEAM LEVEL.



STEP 33: SWING LEG CROSS-MEMBER

1: POSITION THE 2 X 4 X 58" SWING LEG CROSS-MEMBER AGAINST THE SWING LEGS.

2: LEVEL THE SWING LEG CROSS-MEMBER, AND SECURE TO THE SWING LEGS WITH 3/8" X 3-1/2" LAG SCREWS AND 3/8" WASHERS.

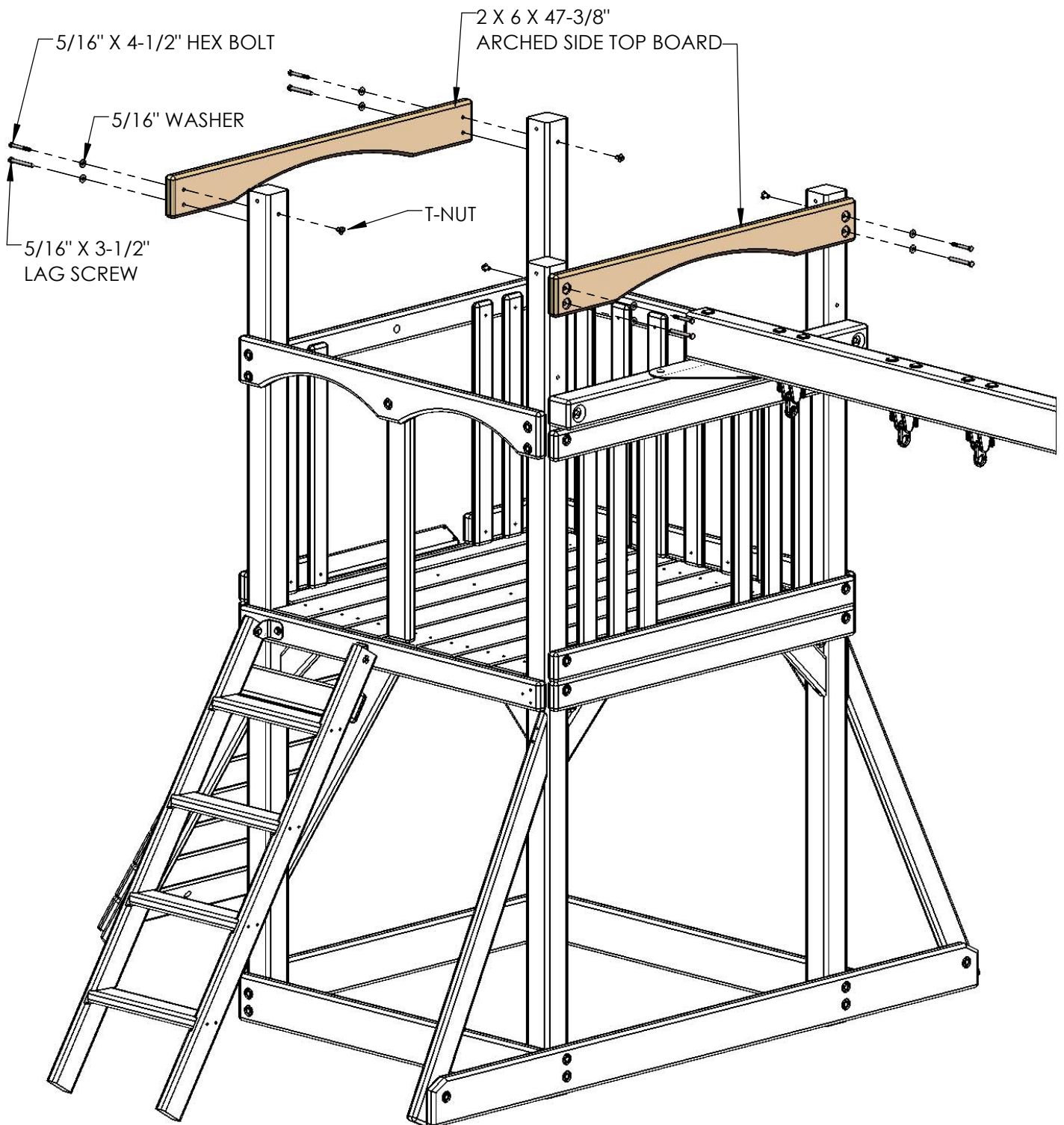


STEP 34: ARCHED SIDE TOP BOARD

1: PLACE ONE ARCHED SIDE TOP BOARD ON THE LEFT / RIGHT SIDE OF THE PLAY SET AT THE TOP.

2: ATTACH EACH ARCHED SIDE TOP BOARD THROUGH THE TOP HOLE INTO THE T-NUT IN THE CORNER POST WITH 5/16" X 4-1/2" HEX BOLTS AND 5/16" WASHERS.

3: ATTACH EACH ARCHED SIDE TOP BOARD THROUGH THE BOTTOM HOLE INTO THE CORNER POSTS WITH 5/16" X 3-1/2" LAG SCREWS AND 5/16" WASHERS.



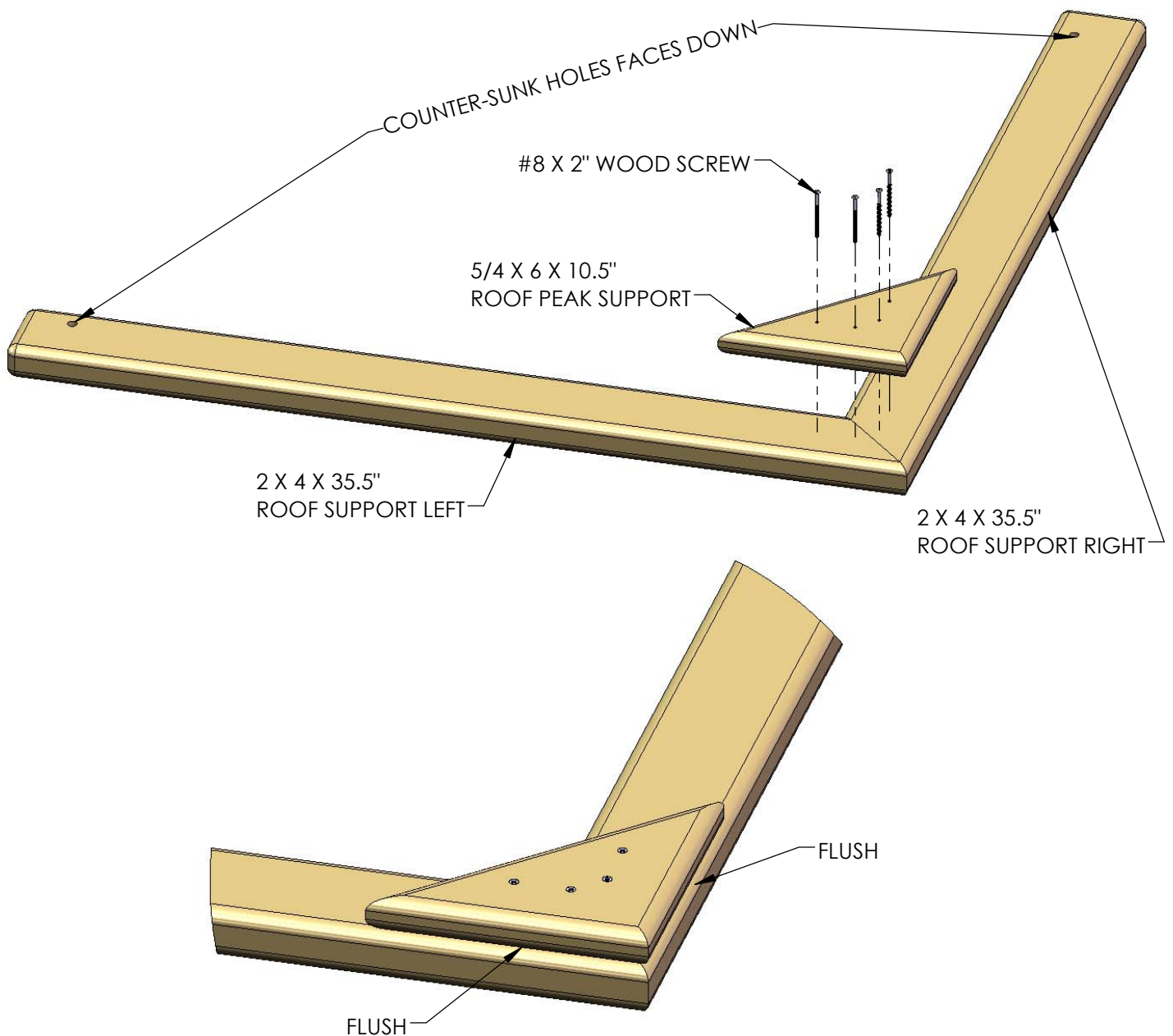
STEP 35: ROOF SUPPORT ASSEMBLIES

1: LOCATE TWO 2 X 4 X 35.5" ROOF SUPPORT (LEFT), TWO 2 X 4 X 35.5" ROOF SUPPORT (RIGHT) AND TWO 5/4 X 6 X 10.5" ROOF PEAK SUPPORT PIECES.

2: FIND A FLAT SURFACE TO WORK ON. LAY THE ROOF SUPPORTS DOWN ON THE FLAT SURFACE WITH THE **COUNTER-SUNK HOLES FACING DOWN**. ALIGN THE ANGLED ENDS OF THE ROOF SUPPORTS FLUSH WITH ONE ANOTHER. PLACE A ROOF PEAK SUPPORT ON TOP OF THE ROOF SUPPORTS AS SHOWN. THE EDGES SHOULD BE FLUSH WHERE SHOWN BELOW.

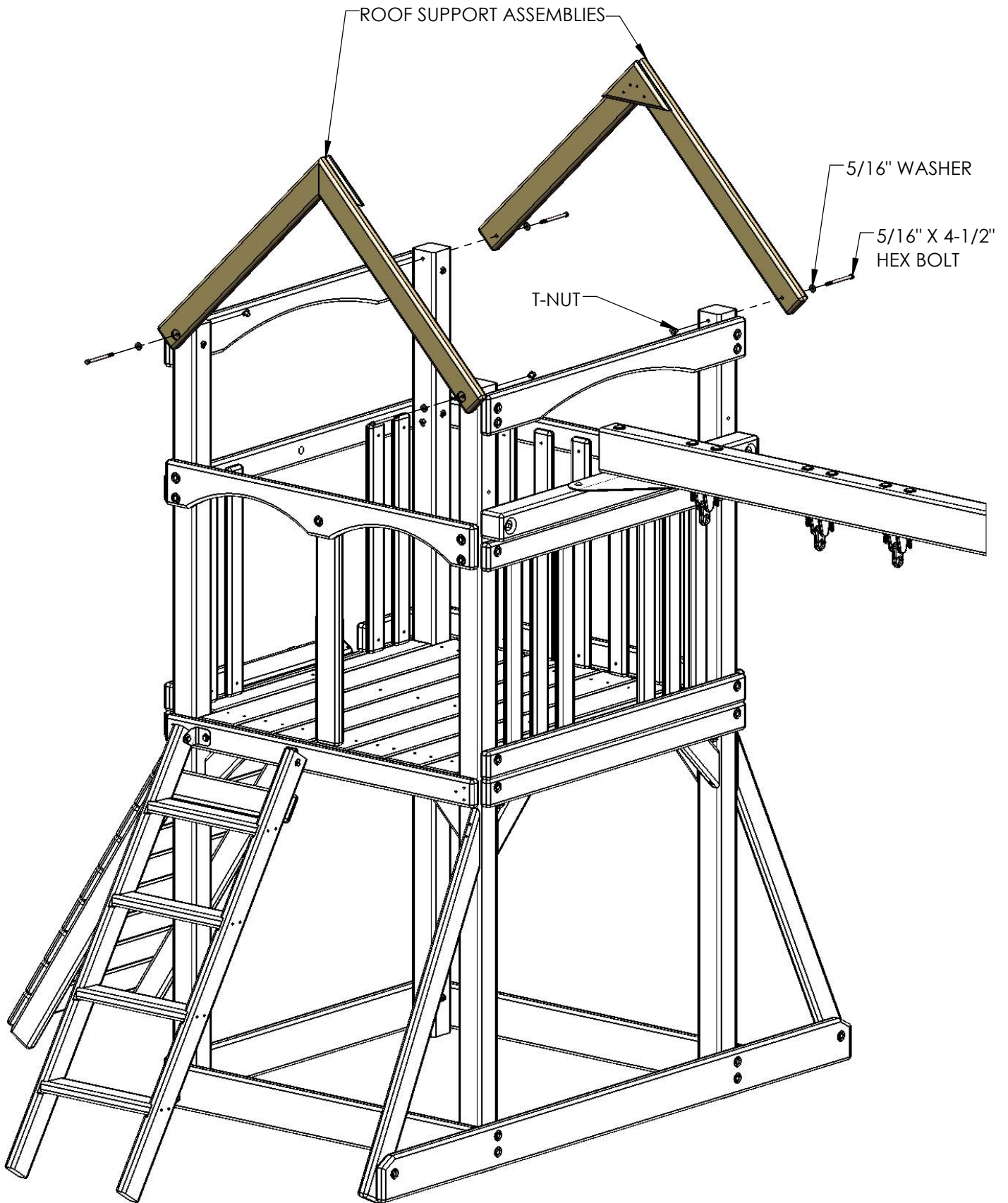
3: USE FOUR #8 X 2" WOOD SCREWS TO ATTACH THE ROOF PEAK SUPPORT TO THE ROOF SUPPORTS AS SHOWN BELOW.

4: MAKE ONE MORE ROOF SUPPORT ASSEMBLY BY REPEATING SUB-STEP 2 AND 3.



STEP 36: ROOF SUPPORT ASSEMBLIES

1: ATTACH THE ROOF SUPPORT ASSEMBLIES TO THE CORNER POSTS WITH 5/16" X 4-1/2" HEX BOLTS AND 5/16" WASHERS.

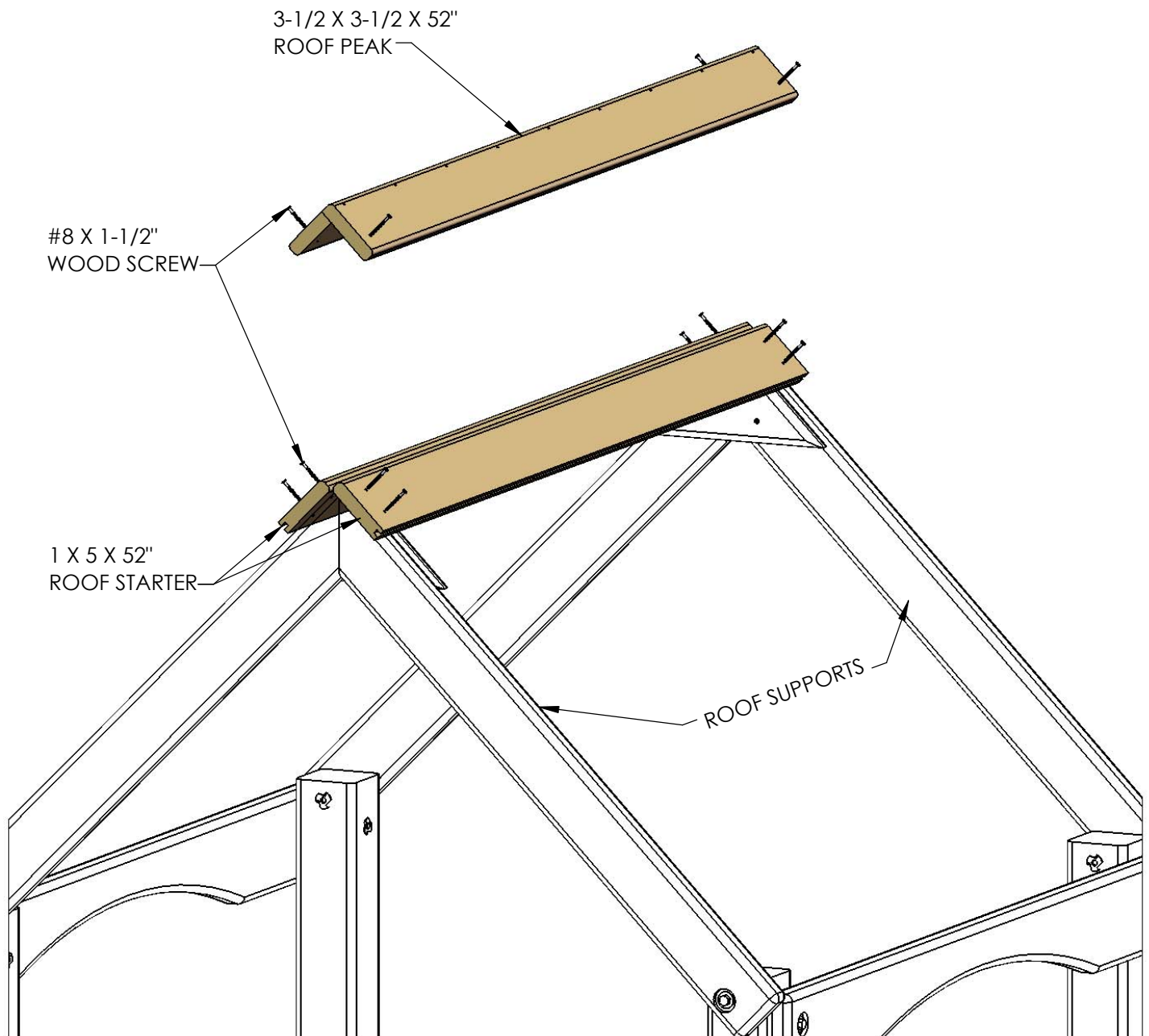


STEP 37: ROOF STARTERS / ROOF PEAK

1: PLACE THE 1 X 5 X 52" (GROOVE ONLY) ROOF STARTER BOARDS AT THE PEAK OF THE ROOF. THE HOLES IN THE ROOF STARTERS SHOULD BE CENTERED ON THE ROOF SUPPORTS. THE FLAT SIDE OF THE ROOF STARTERS SHOULD BE PLACED AS CLOSE TOGETHER AS POSSIBLE BEAR THE PEAK WITHOUT THE BOARDS OVERLAPPING.

2: FASTEN THE ROOF STARTER BOARDS TO THE ROOF SUPPORTS WITH 1-1/2" WOOD SCREWS.

3: PLACE THE 3-1/2 X 3-1/2 X 52" ROOF PEAK ON TOP OF THE ROOF STARTER BOARDS AND FASTEN WITH FOUR 1-1/2" WOOD SCREWS.

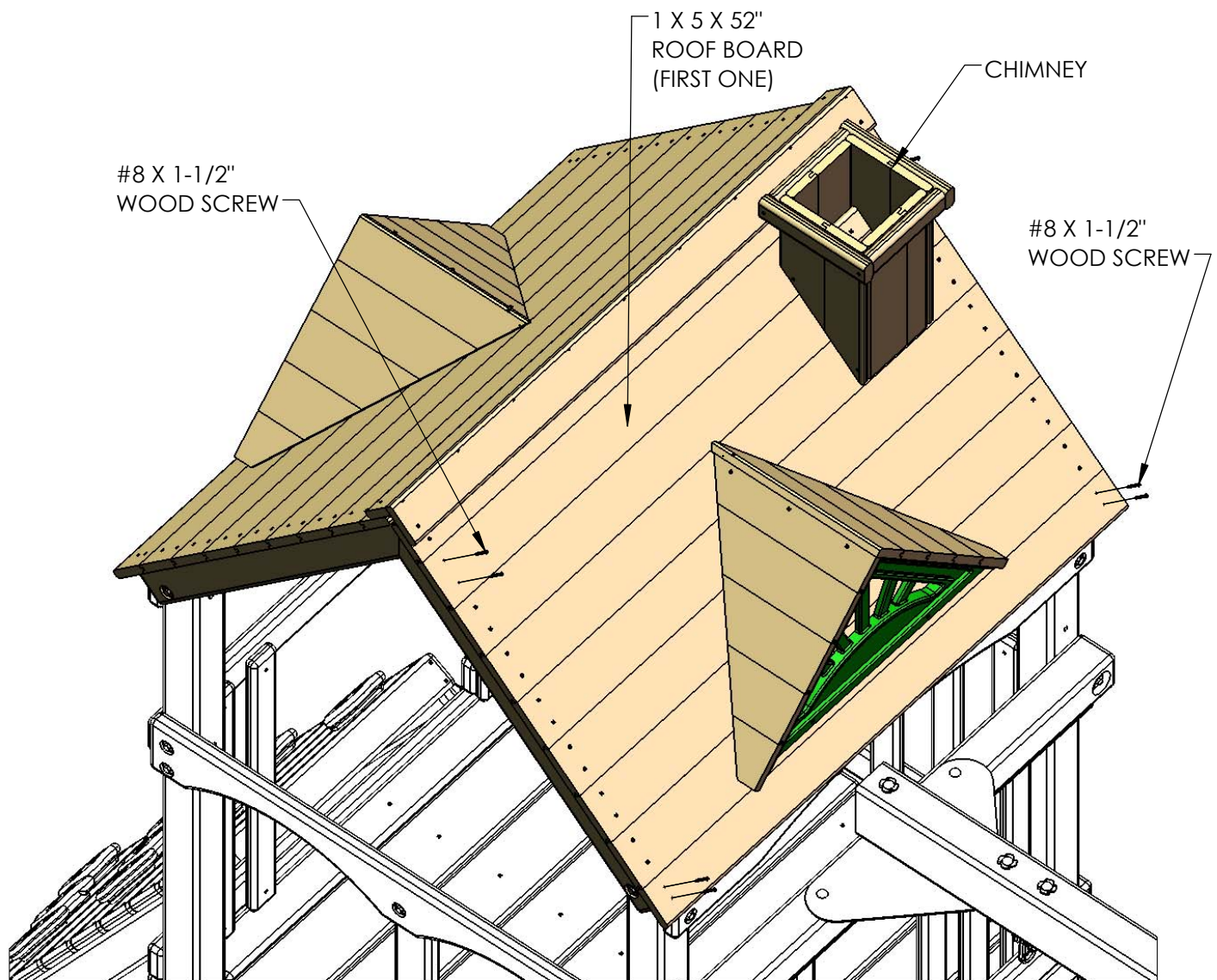


STEP 38: ROOF BOARDS / ROOF FINISHERS AND CHIMNEY AND DORMERS

1: PLACE THE 1 X 5 X 52" ROOF BOARDS ON TOP OF THE ROOF SUPPORTS, FITTING THE TONGUE INTO THE GROOVE OF THE ROOF STARTER. THE HOLES IN THE ROOF BOARDS SHOULD BE CENTERED OVER THE ROOF SUPPORTS. THERE ARE SEVEN ROOF BOARDS ON EACH SIDE OF THE ROOF. IF NECESSARY PLACE A SCRAP 2 X 4 BOARD AGAINST THE ROOF BOARD AND HAMMER ON IT TO SEAT THE TONGUE INTO GROOVE FOR THE ROOF BOARDS. FASTEN EACH ROOF BOARD TO THE ROOF SUPPORTS WITH FOUR 1-1/2" WOOD SCREWS.

2: PLACE THE 1 X 5 X 52" ROOF FINISHER AT THE END OF THE ROOF ASSEMBLY AND FASTEN TO THE ROOF SUPPORTS WITH FOUR 1-1/2" WOOD SCREWS. EACH SIDE OF THE ROOF GETS ONE ROOF FINISHER.

TIP: USE THE INSTRUCTIONS PROVIDED IN THE APPENDIX TO BUILD THE CHIMNEY AND DORMERS. AFTER PUTTING IN THREE ROOF BOARDS ON THE FRONT ROOF **STOP** AND THEN INSTALL THE CHIMNEY. NOTICE THE MOUNTING BLOCK FOR THE CHIMNEY WILL GET INSTALLED ON THE FIRST ROOF BOARD. ONCE ALL THE ROOF BOARDS / FINISHERS ARE INSTALLED MOUNT THE DORMERS AS SHOWN BELOW CENTERED ON THE ROOF.



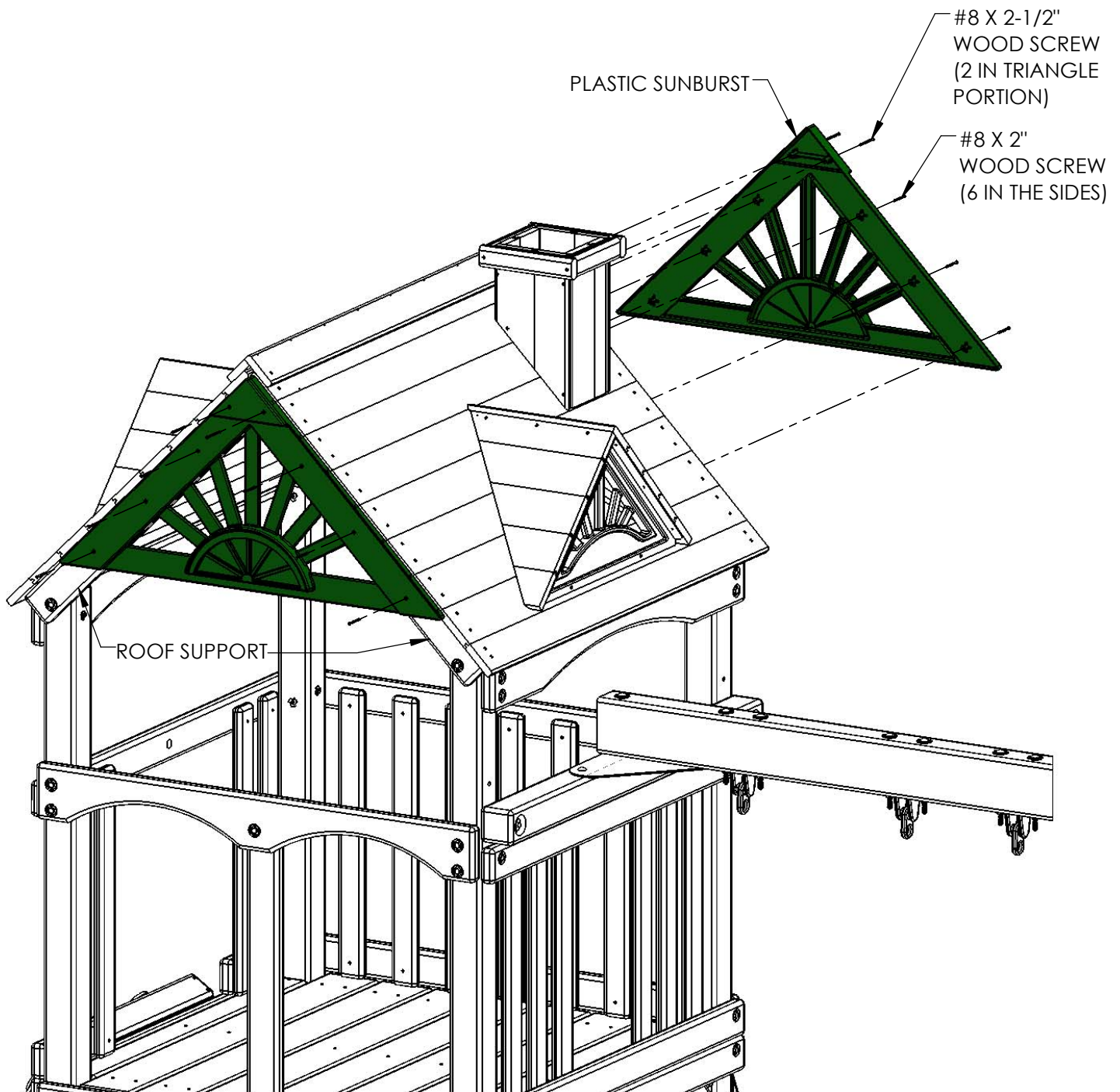
STEP 39: PLASTIC SUNBURST

1: LOCATE TWO PLASTIC SUNBURST PIECES.

2: PLACE THE SUNBURST UNDER THE ROOF OVERHANG. FIT IT AGAINST THE BOTTOM SIDE OF THE ROOF BOARDS AND AGAINST THE ROOF SUPPORTS.

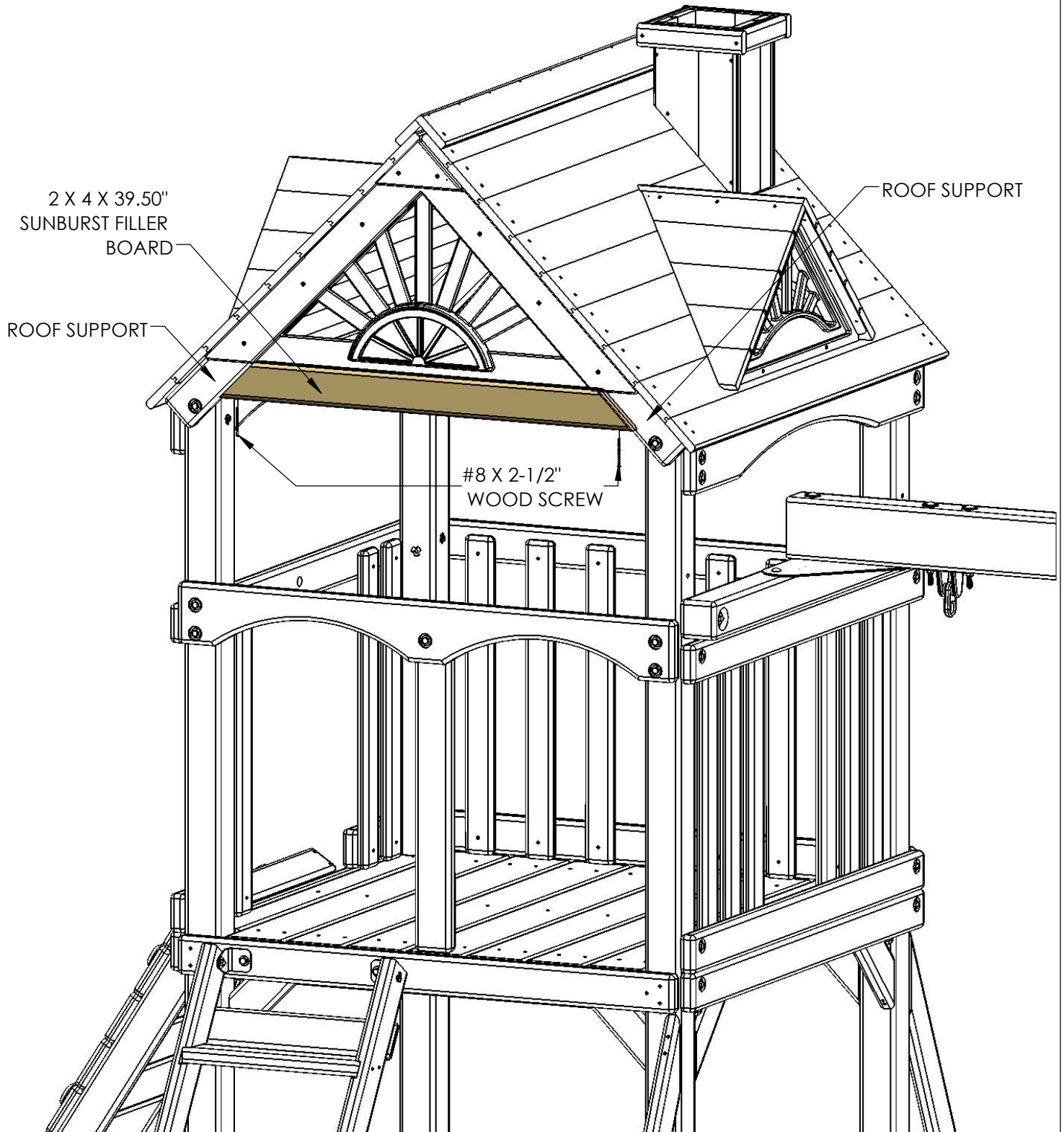
3: ATTACH THE PLASTIC SUNBURST WITH SIX #8 X 2" WOOD SCREWS ALONG THE SIDES. ATTACH THE TRIANGLE PORTION OF THE SUNBURST PIECE WITH #8 X 2-1/2" WOOD SCREWS.

4: REPEAT SUBSTEPS 2 AND 3 ON THE OTHER SIDE OF THE PLAY SET.



STEP 40: SUNBURST FILLER BOARD

1: PLACE THE 2 X 4 X 39.50" SUNBURST FILLER BOARD IN BETWEEN THE ROOF SUPPORTS. FASTEN USING #8 X 2-1/2" WOOD SCREWS THROUGH THE PRE-DRILLED HOLES ON EACH END, MAKE SURE THERE ARE NO GAPS IN BETWEEN THE SUNBURST FILLER BOARD AND THE ROOF SUPPORTS.



STEP 41: WINDOW SUPPORTS / WINDOWS

IN THIS STEP THE WOOD COMPONENTS TO ATTACH WINDOWS WILL BE INSTALLED ON THE INSIDE OF THE FRONT OF THE PLAY SET.

1: ATTACH THE 5/4 X 6 X 20" VERTICAL WINDOW SUPPORT IN THE CENTER WITH #8 X 2" WOOD SCREWS.

2: ATTACH THE 5/4 X 6 X 20" VERTICAL WINDOW SUPPORTS ON THE SIDES WITH #8 X 2" WOOD SCREWS.

3: ATTACH THE 5/4 X 2-1/4 X 11-1/2" HORIZONTAL WINDOW SUPPORTS AT THE BOTTOM AND TOP WITH # 8 X 2" WOOD SCREWS.

4: GO TO THE OUTSIDE OF THE PLAY SET AND INSTALL THE WINDOWS WITH 1-1/4" WOOD SCREWS.

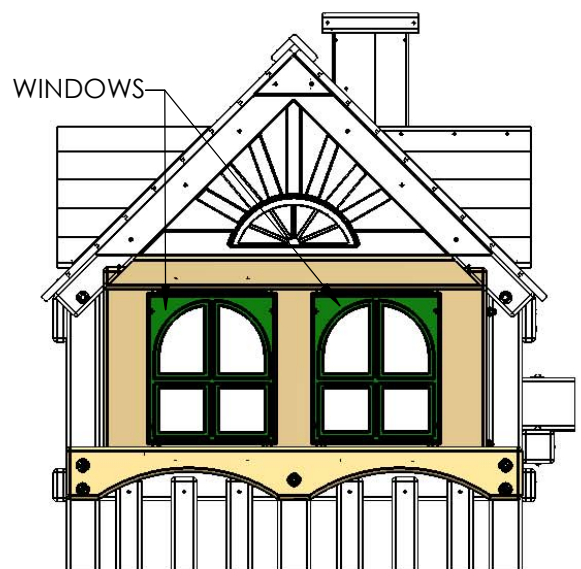
5/4 X 2-1/4 X 11-1/2"
HORIZONTAL WINDOW SUPPORT



5/4 X 6 X 20"
VERTICAL WINDOW SUPPORT

5/4 X 6 X 20"
VERTICAL WINDOW SUPPORT

5/4 X 2-1/4 X 11-1/2"
HORIZONTAL WINDOW SUPPORT



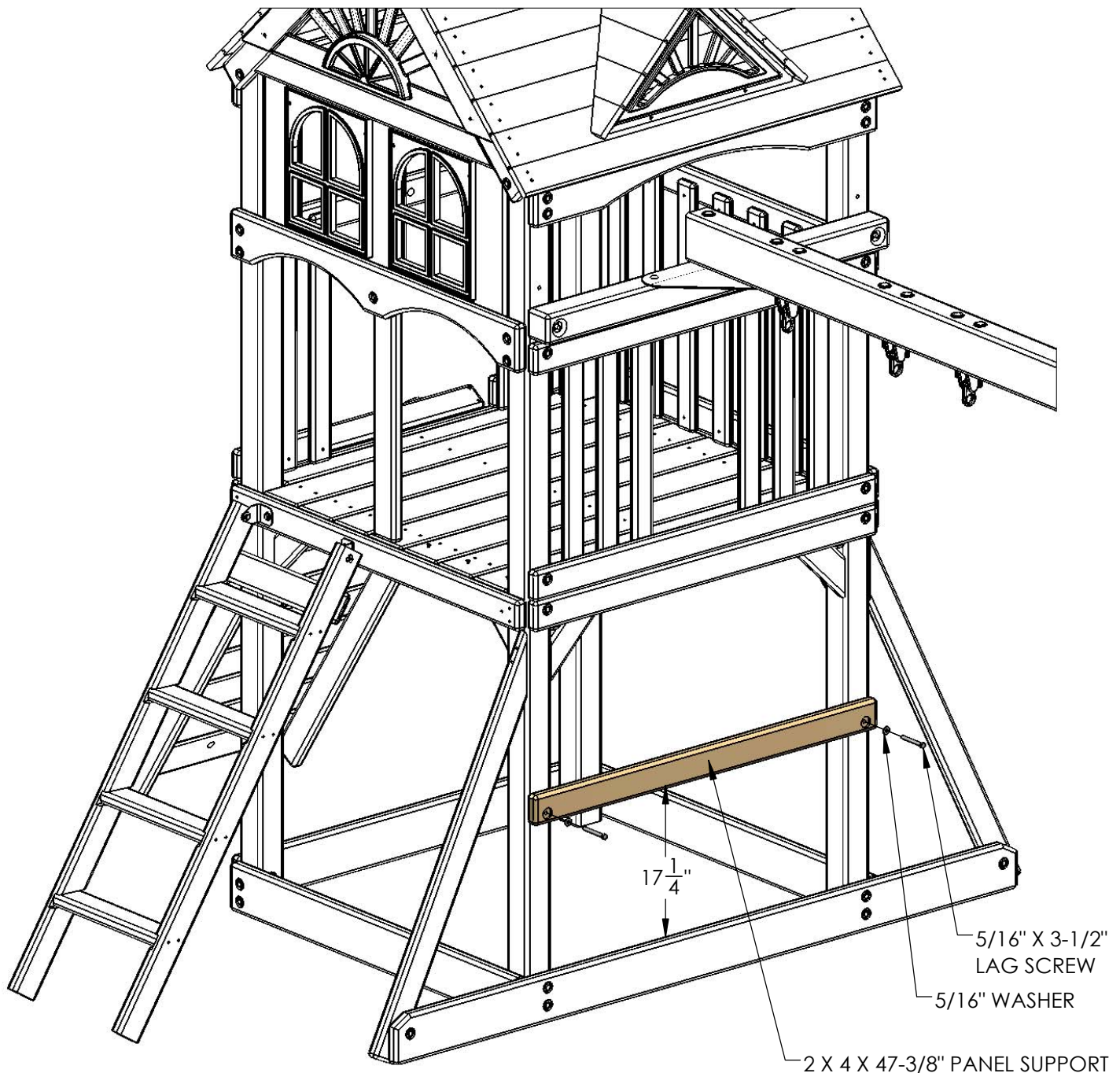
STEP 42: SAFETY BOARD

THIS BOARD IS MEANT TO BE A VISUAL DETERRENT TO PREVENT CHILDREN FROM RUNNING THROUGH THE BASE OF THE PLAY SET INTO OTHER CHILDREN ON THE SWING SET.

1: MEASURE 17-1/4" FROM THE TOP OF THE RIGHT SANDBOX BOARD AND MAKE A MARK ON THE RIGHT CORNER POSTS.

2: PLACE THE BOTTOM OF A 2 X 4 X 47-3/8" PANEL SUPPORT WITH OFFSET HOLES DOWN ON THE MARKS.

3: ATTACH THE PANEL SUPPORT TO THE RIGHT CORNER POSTS WITH TWO 5/16" X 3-1/2" LAG SCREWS AND TWO 5/16" WASHERS.

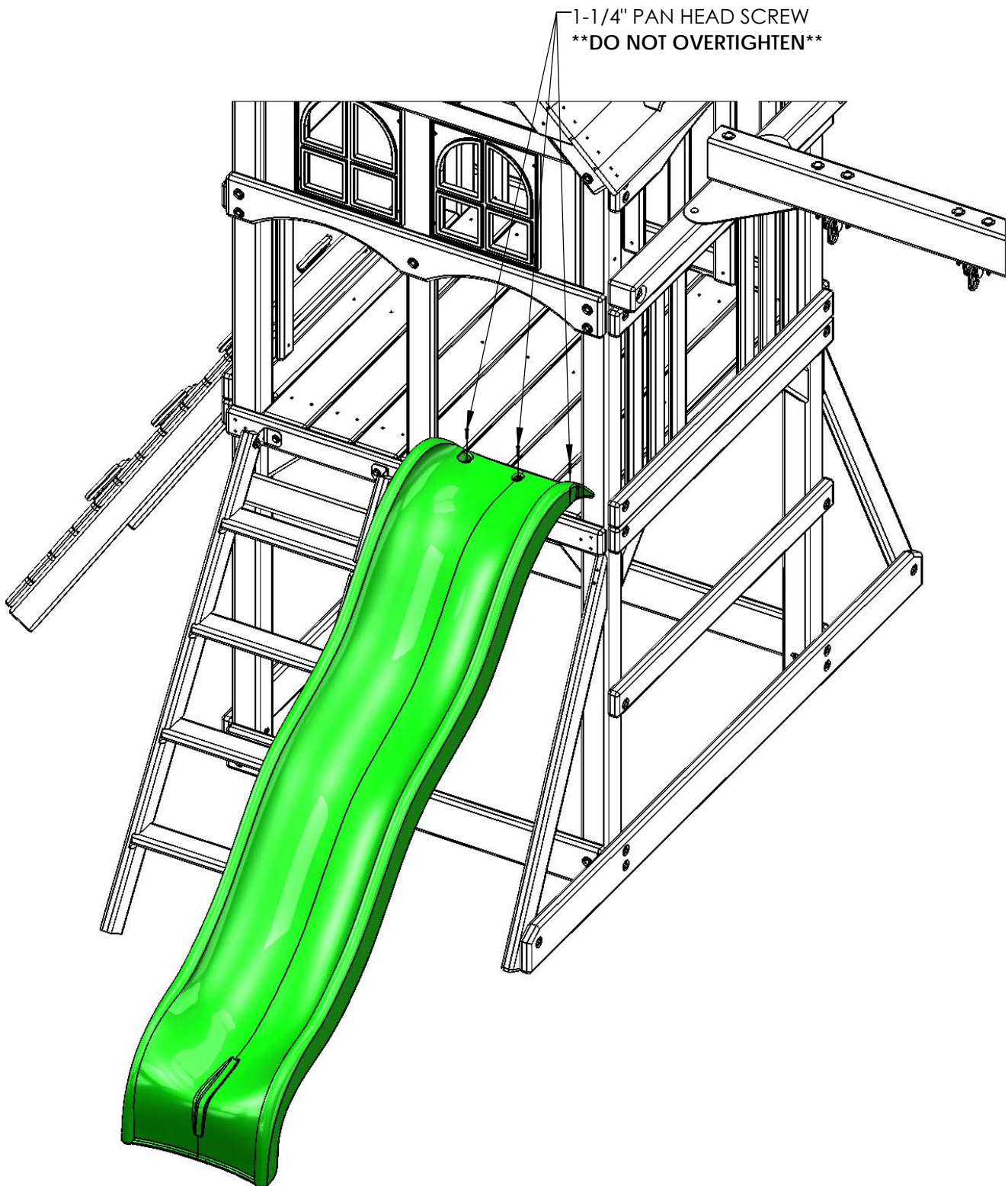


STEP 43: SLIDE

1: PLACE THE SLIDE IN THE OPENING AT THE FRONT-RIGHT OF THE FORT. LAY THE SLIDE ON THE DECK WITH THE LIP EXTENDING ONTO THE DECK.

2: PRE-DRILL 1/8" HOLES INTO THE DECK BOARDS AT THE SCREW LOCATIONS.

3: ATTACH THE SLIDE TO THE DECK BOARDS WITH 1-1/4" PAN HEAD SCREWS. ****DO NOT OVERTIGHTEN****

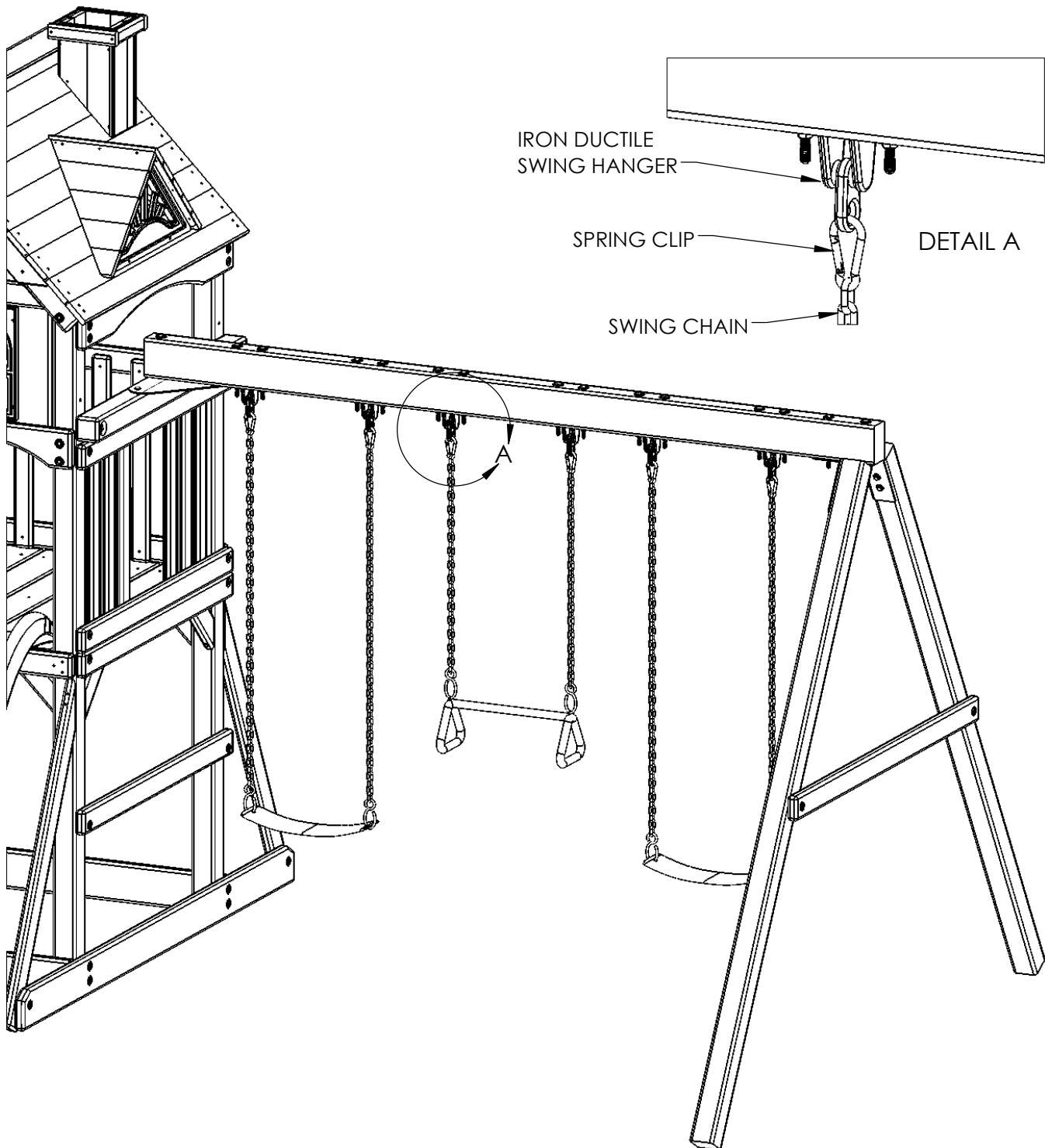


STEP 44: HANGING THE SWINGS

1: CLIP EACH OF THE SPRING CLIPS ONTO THE IRON DUCTILE SWING HANGERS, THEN CLIP ONTO THE SWING CHAINS.

2: USE THE CLIPS TO ADJUST THE HEIGHT OF THE SWING BY CLIPPING ONTO HIGHER OR LOWER LINKS.

3: COUNT BACK THE SAME NUMBER OF LINKS ON THE OPPOSITE SIDE TO ENSURE THAT SWING IS LEVEL, AND ADJUST TO FIT YOUR NEEDS.



STEP 45: CLIMBING ROPE

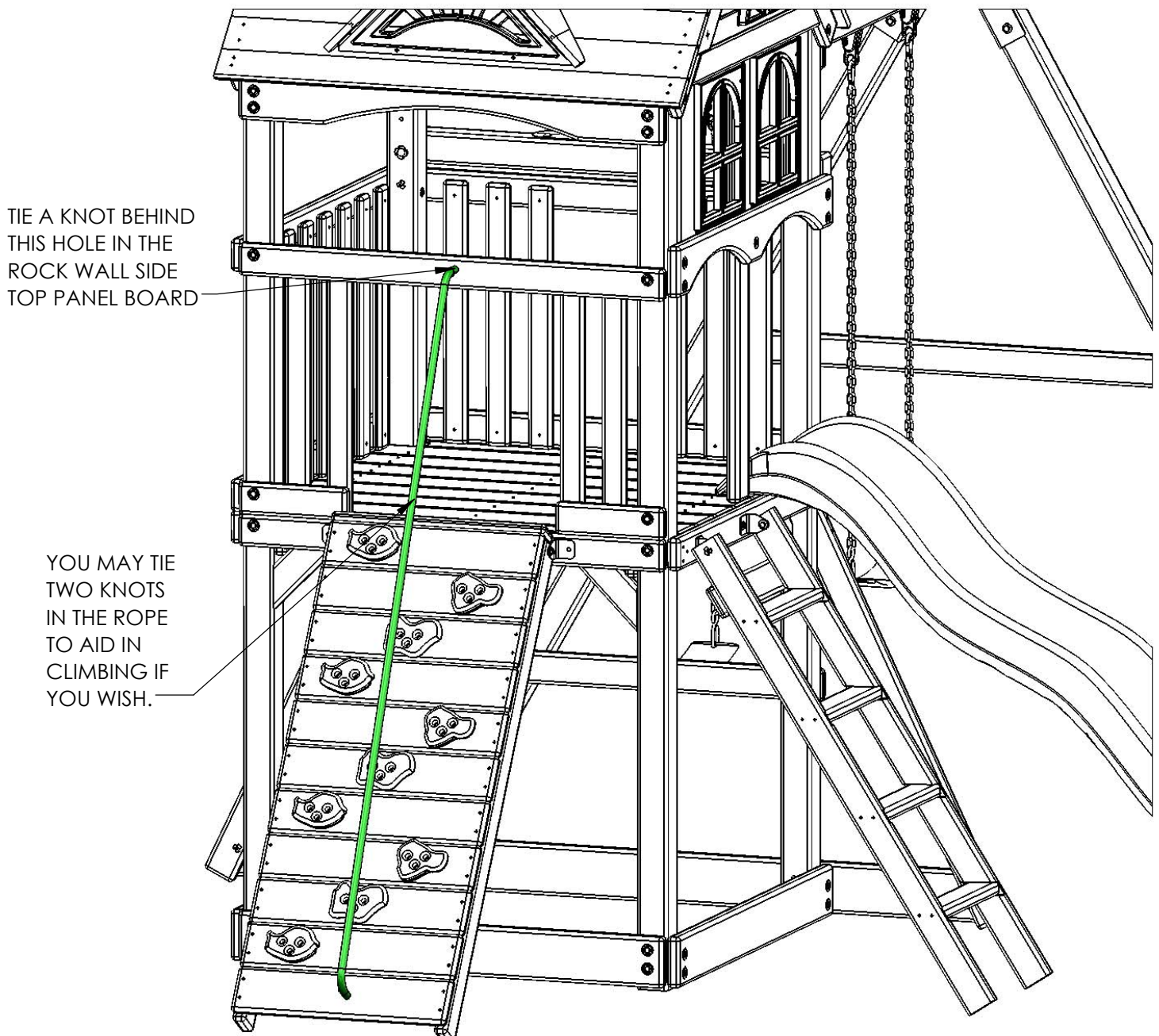
1: THREAD ONE END OF THE ROPE THROUGH THE HOLE IN THE ROCK WALL SIDE TOP PANEL BOARD.

2: TIE A SECURE KNOT ON THE INSIDE OF THE ROCK WALL SIDE TOP PANEL BOARD.

3: THREAD THE OTHER END OF THE ROPE THROUGH THE HOLE IN THE BOTTOM ROCK WALL BOARD. PULL THE ROPE TIGHT AND TIE A SECURE KNOT BEHIND THE BOTTOM ROCK WALL BOARD.

4: NOTE: YOU MAY TIE TWO KNOTS IN THE ROPE TO AID IN CLIMBING IF YOU WISH. DO THIS BEFORE PERFORMING SUB STEP 3.

5: ONCE THE ROPE IS TIED ON BOTH ENDS ATTEMPT TO WRAP THE ROPE AROUND YOUR HANDS. IF THE ROPE WRAPS AROUND YOUR HAND IT IS TOO LOOSE. UNTIE ONE END AND RETIE THE ROPE UNTIL YOU CAN NO LONGER WRAP IT AROUND YOUR HAND.



STEP 46: TELESCOPE

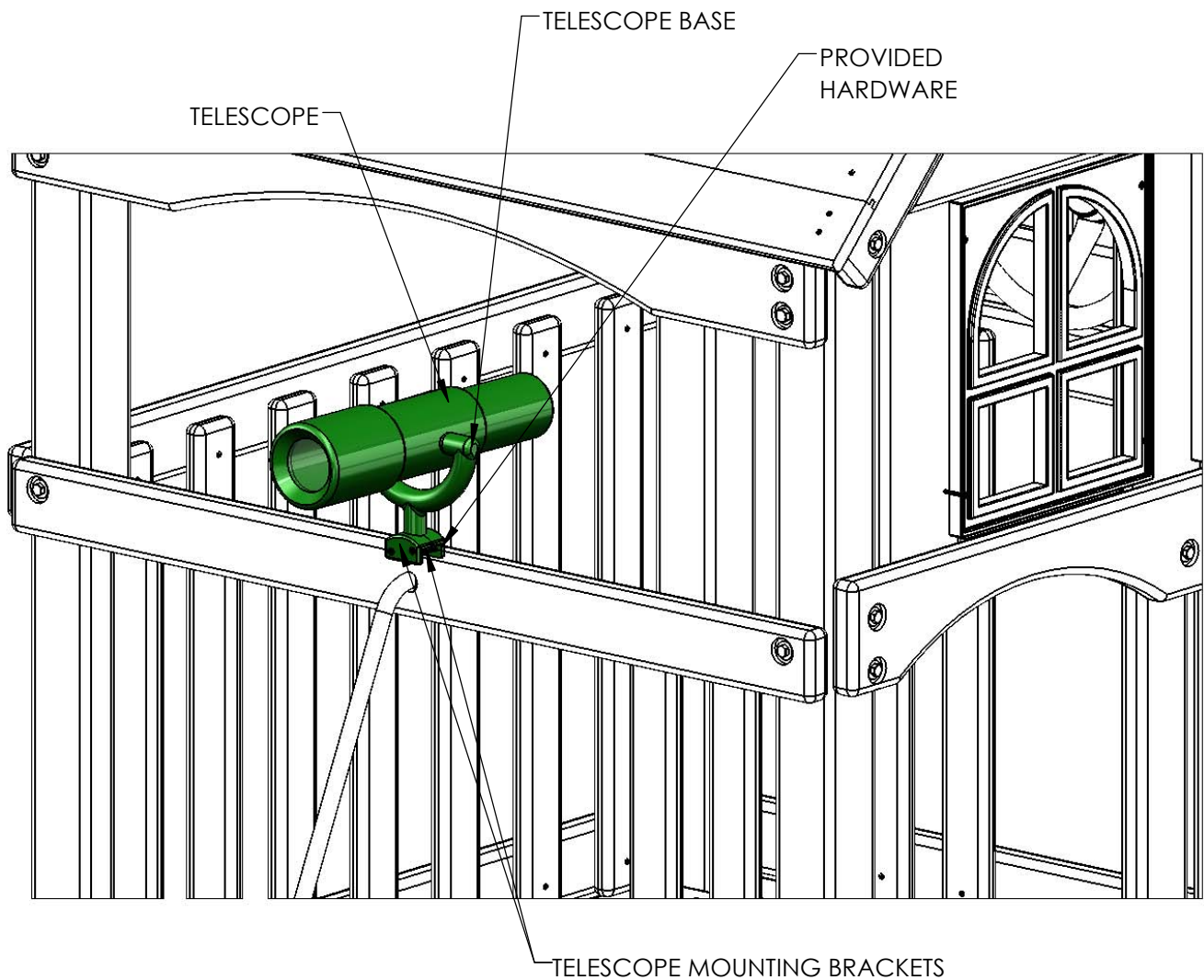
1: PLACE ONE OF THE L-SHAPE TELESCOPE MOUNTING BRACKETS CENTERED ON THE PANEL SUPPORT.

2: ATTACH THE L-SHAPED BRACKET WITH TWO SCREWS PROVIDED WITH THE TELESCOPE.

3: PLACE THE BASE OF THE TELESCOPE INTO THE CUT OUT AREA OF THE L-SHAPED BRACKET.

4: ATTACH ANOTHER L-SHAPED TELESCOPE MOUNTING BRACKET DIRECTLY ACROSS FROM THE PREVIOUSLY INSTALLED BRACKET AND SECURE WITH THE PROVIDED HARDWARE.

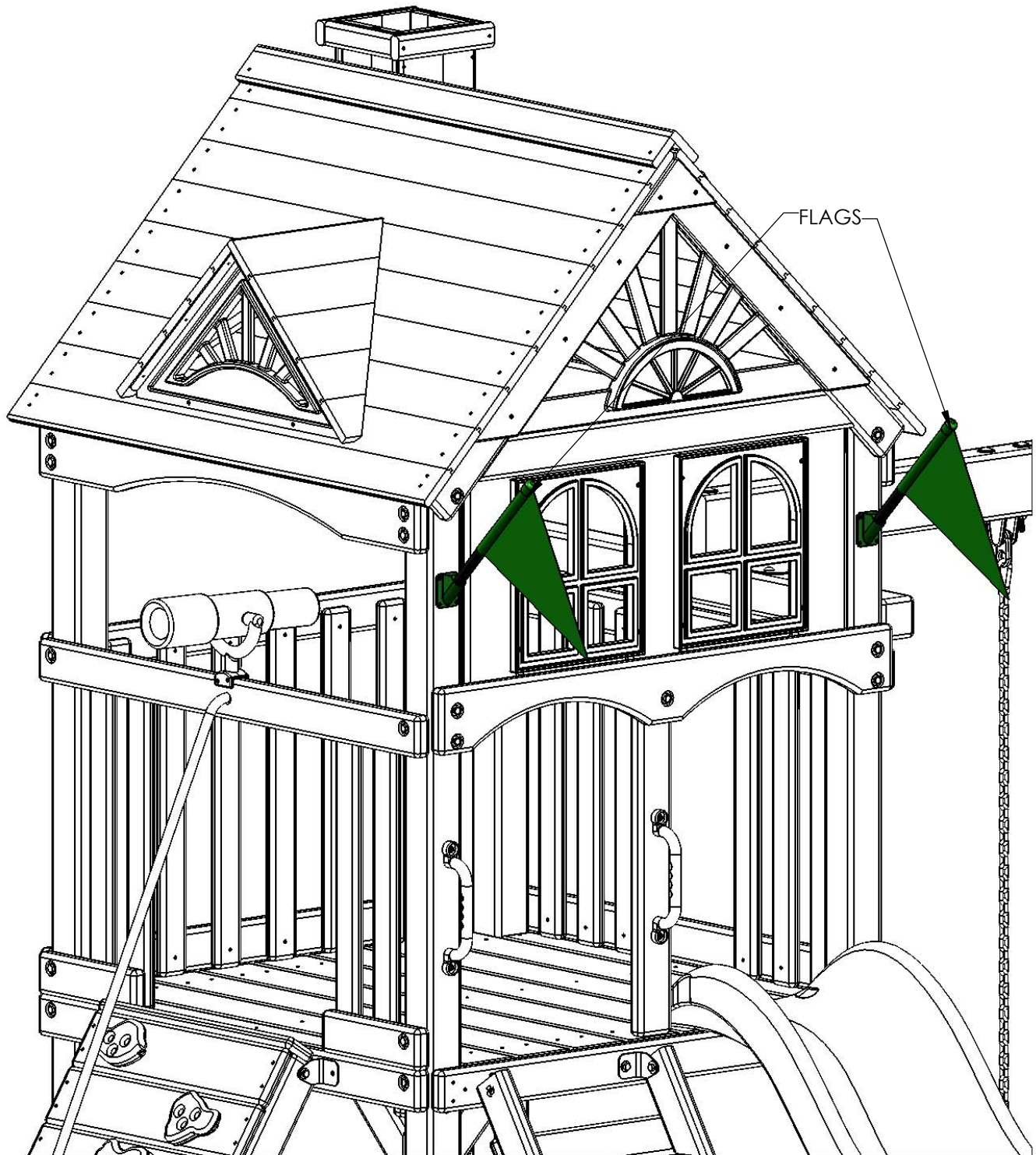
NOTE: THE REMAINING TWO BRACKETS THAT ARE "C" SHAPED ARE FOR MOUNTING THE TELESCOPE ON TOP OF A 4 X 4 PIECE OF WOOD. THEY MAY BE RECYCLED OR YOU MAY RETAIN THEM IF YOU WISH.



STEP 47: FLAG KIT

1: PLACE THE FLAGS ON THE FRONT SIDE OF THE PLAY SET CENTERED ON THE CORNER POSTS.

2: ATTACH THE PLASTIC BASE OF EACH FLAG TO THE CORNER POST WITH THE 1/2" PHILLIPS HEAD SCREWS PROVIDED WITH THE FLAGS.

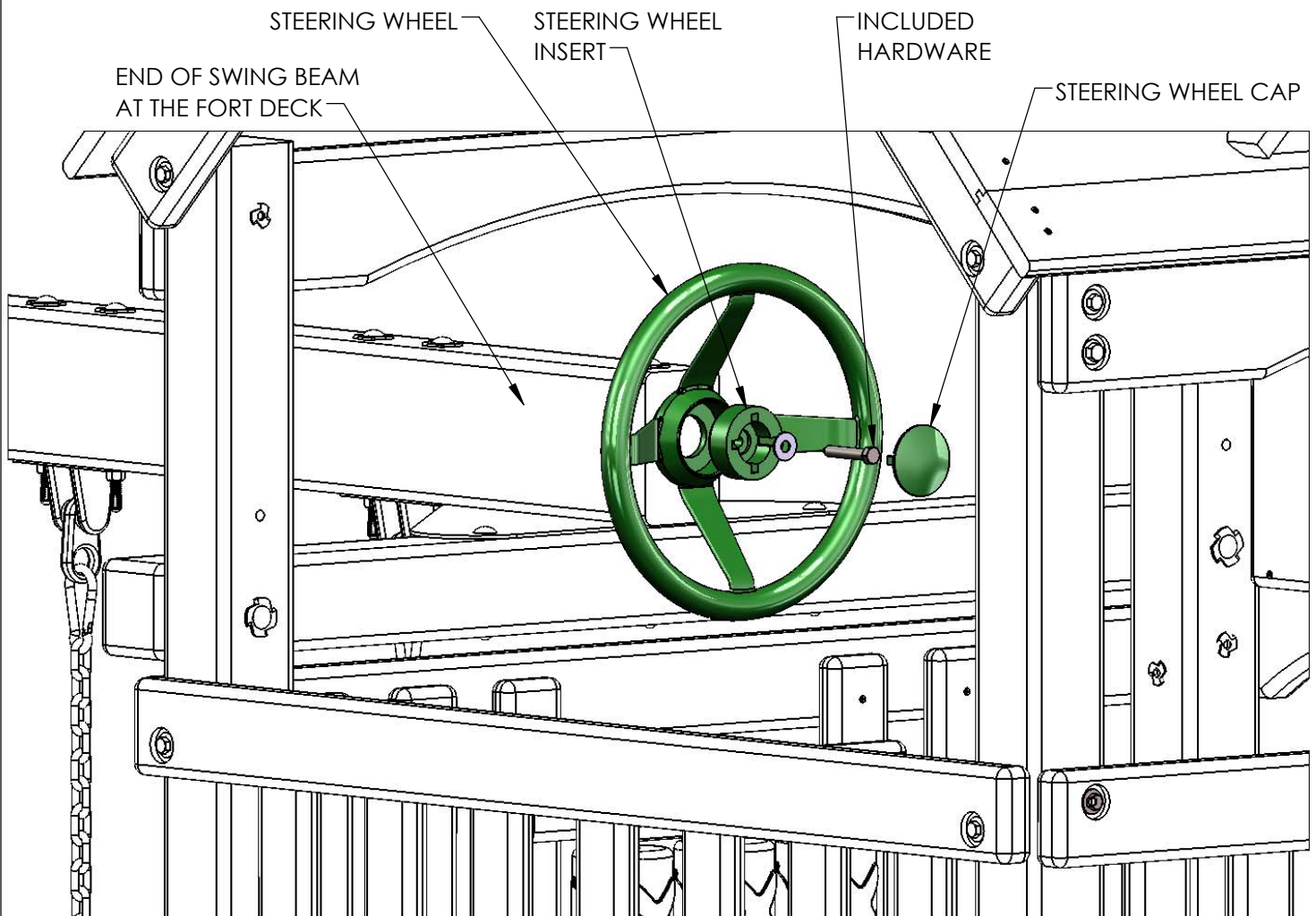


STEP 48: STEERING WHEEL

1: PLACE THE STEERING WHEEL INSERT INSIDE THE STEERING WHEEL.

2: PREDRILL AN $1\frac{1}{64}$ " HOLE ABOUT 2" DEEP INTO THE END OF THE SWING BEAM. USE THE HARDWARE INCLUDED (ONE $\frac{3}{8}$ X 2- $\frac{1}{2}$ " LAG SCREW AND ONE $\frac{3}{8}$ " WASHER) WITH THE STEERING WHEEL TO MOUNT THE STEERING WHEEL TO THE END OF THE SWING BEAM. DO NOT OVER-TIGHTEN THE LAG SCREW INTO THE STEERING WHEEL INSERT OR THE STEERING WHEEL WILL NOT TURN.

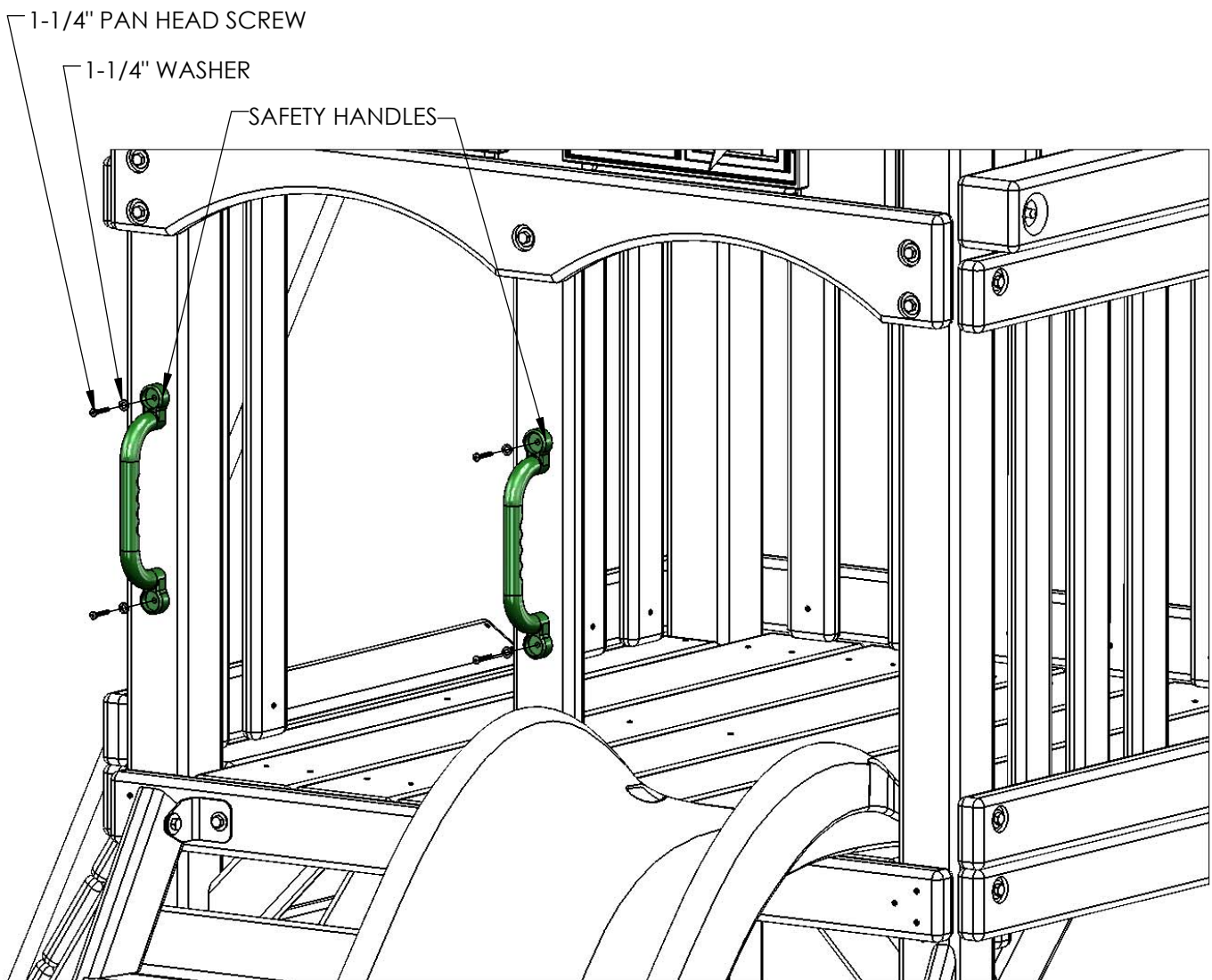
3: PLACE THE STEERING WHEEL CAP OVER THE CENTER OF THE STEERING WHEEL AND SNAP INTO PLACE INSIDE THE STEERING WHEEL INSERT.



STEP 49: SAFETY HANDLES

1: PLACE THE SAFETY HANDLES CENTERED ONTO THE PANEL SLATS ABOVE THE LADDER. ADJUST THE SAFETY HANDLES UP OR DOWN TO SUIT THE NEEDS OF YOUR CHILD.

2: ATTACH EACH SAFETY HANDLE WITH TWO 1-1/4" PAN HEAD SCREWS AND TWO 1/4" WASHERS PROVIDED WITH EACH SAFETY HANDLE.



STEP 50: TIC TAC TOE ASSEMBLY / INSTALLATION

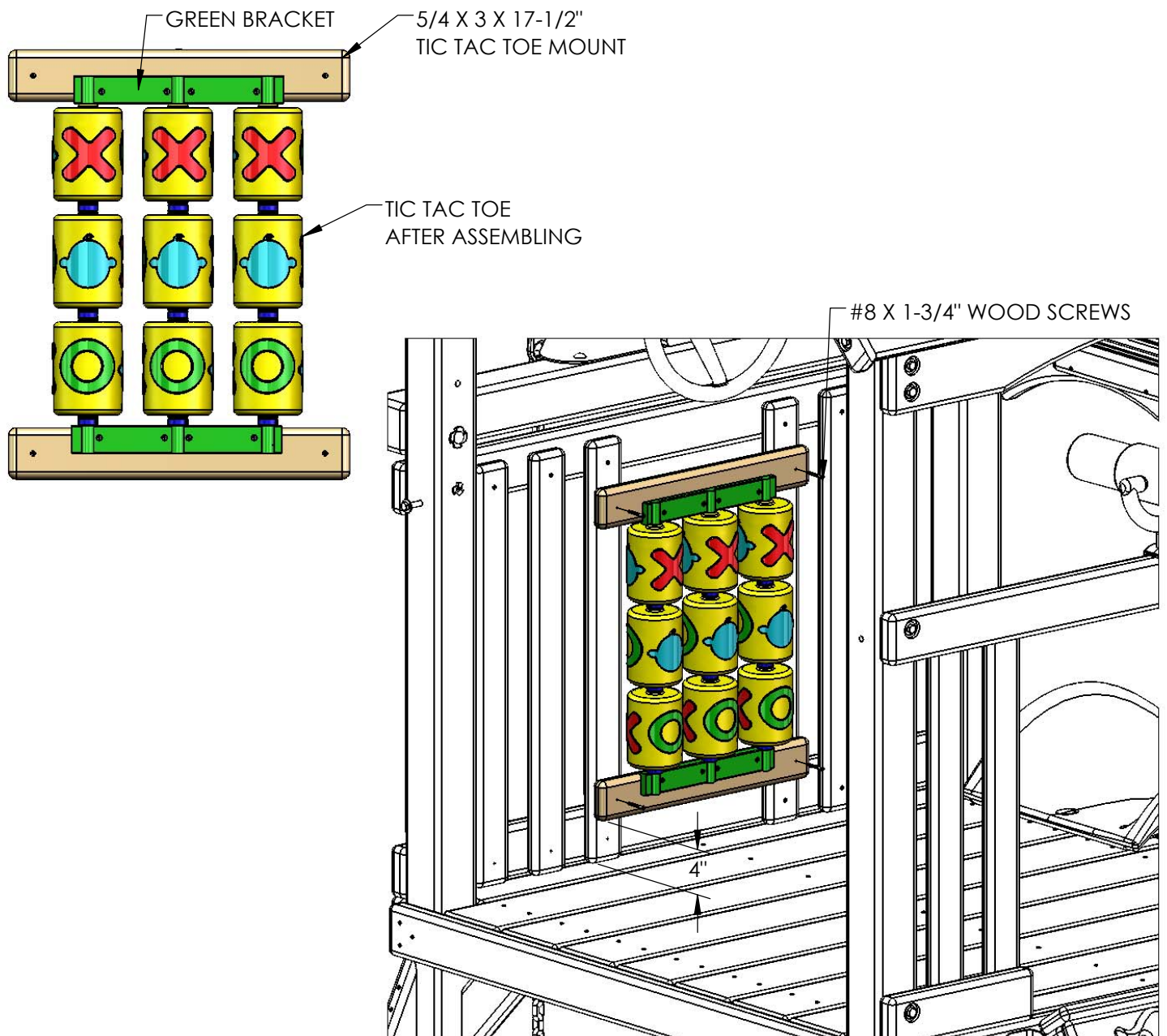
1: LOCATE THE TIC TAC TOE BOX. FOLLOW THE INSTRUCTIONS IN THE BOX TO ASSEMBLE THE TIC TAC TOE OMITTING STEPS 6 AND 7.

2: LOCATE THE TWO 5/4 X 3 X 17-1/2" TIC TAC TOE MOUNTS.

3: USE THE SCREWS INCLUDED WITH THE TIC TAC TOE TO ATTACH THE GREEN BRACKETS TO THE TIC TAC TOE MOUNTS. EACH GREEN BRACKET SHOULD BE CENTERED OVER THE TIC TAC TOE MOUNT.

4: PLACE THE TIC TAC TOE AGAINST THE PANEL SLATS AT THE RIGHT SIDE OF THE PLAY SET ON THE INSIDE. THE TIC TAC TOE MOUNT SHOULD BE APPROXIMATELY 4" OFF THE DECK.

5: ATTACH THE TIC TAC TOE MOUNTS TO THE PANEL SLATS WITH #8 X 1-3/4" WOOD SCREWS.



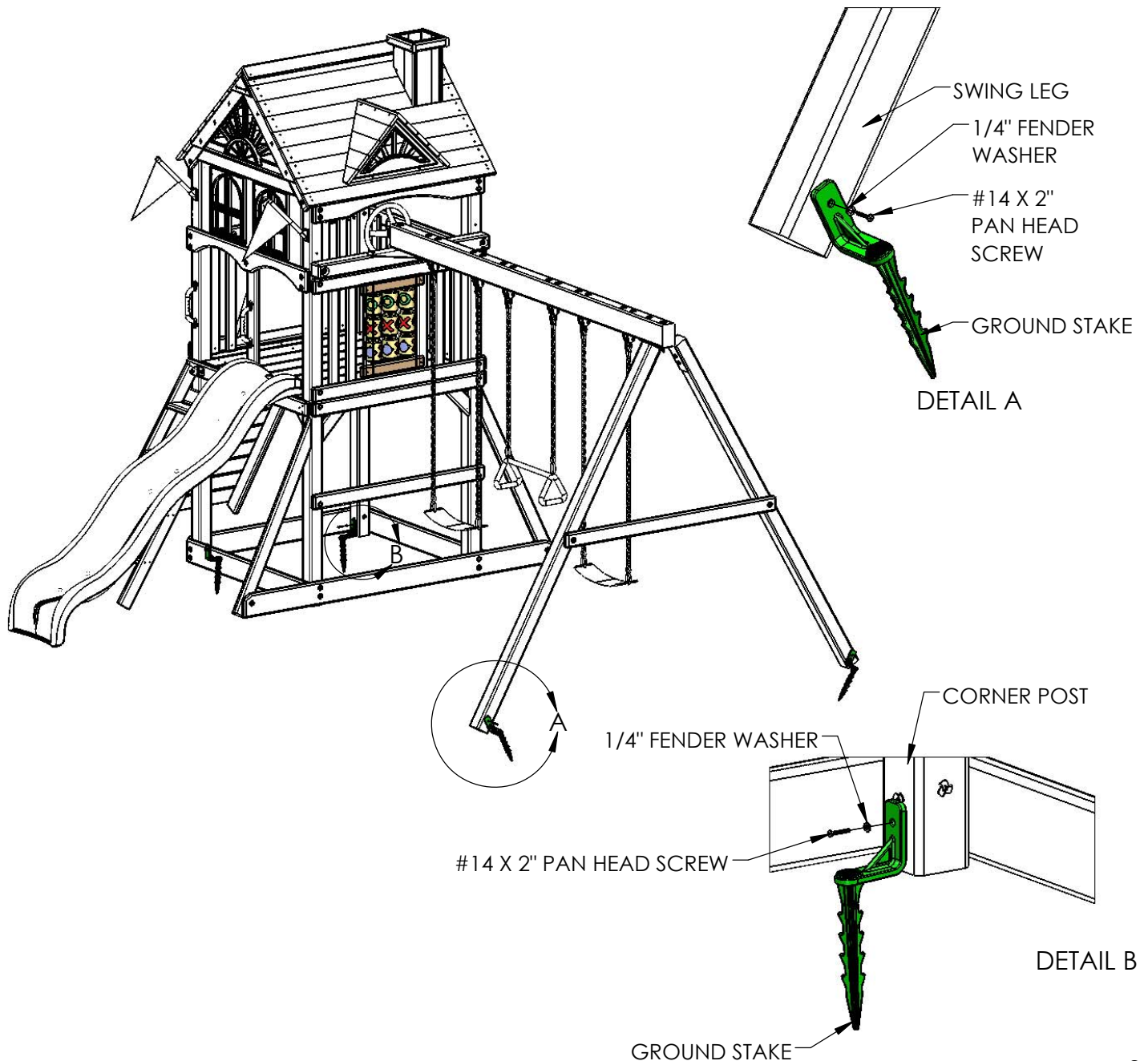
STEP 51: GROUND STAKES

1: PLACE THE GROUND STAKES ON THE OUTSIDE OF THE SWING LEGS AS SHOWN BELOW.

2: HAMMER A GROUND STAKE INTO THE EARTH NEXT TO EACH SWING LEG AT AN ANGLE. DO NOT HOLD THE UPPER PORTION OF THE STAKE AFTER THE FIRST COUPLE OF HITS OR IT MAY VIBRATE HARSHLY AGAINST YOUR HAND. IF THE TOP PART OF THE STAKE TWISTS WHEN IT ENCOUNTERS A ROCK OR ROOT YOU MAY HAVE TO BEND THE TOP PORTION OF THE STAKE AGAINST THE SWING LEG. FINALLY INSTALL THE SCREW AND WASHER.

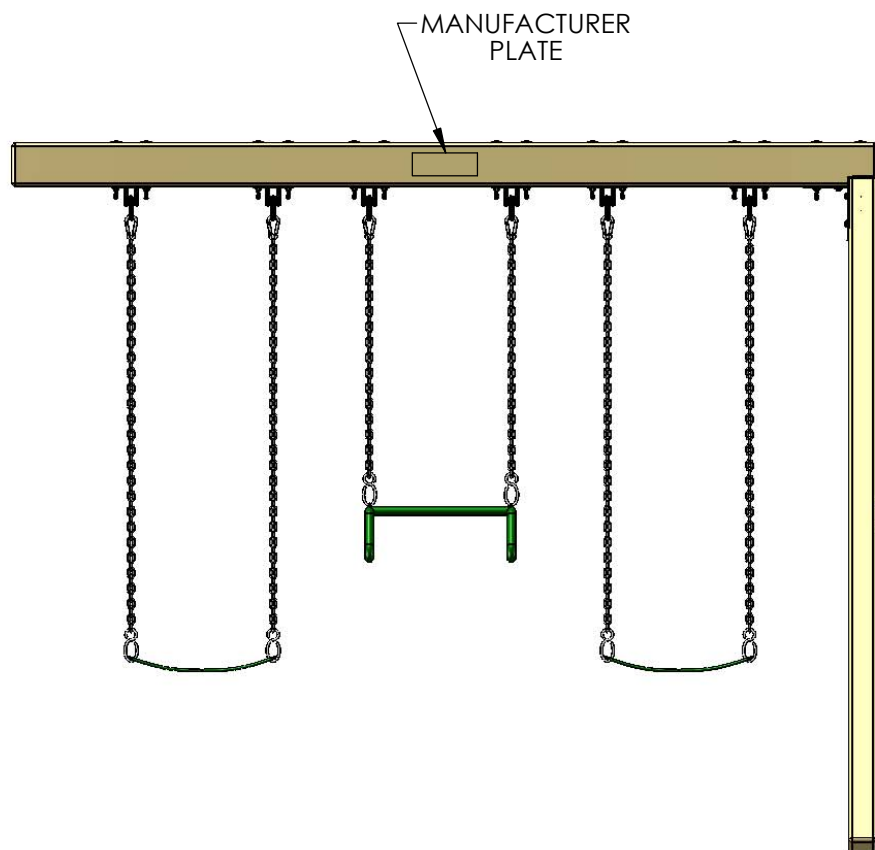
3: ATTACH EACH GROUND STAKE TO THE SWING LEG WITH A #14 X 2" PAN HEAD SCREW AND A 1/4" FENDER WASHER PROVIDED WITH THE GROUND STAKE.

4: TWO MORE GROUND STAKES WILL BE ON THE INSIDE OF THE SANDBOX ON THE TWO CORNER POSTS CLOSEST TO THE ROCK WALL. ON THE INSIDE OF THE BASE OF THE PLAY SET DRIVE THE GROUND STAKES INTO THE GROUND TO A DISTANCE THAT WILL NOT INTERFERE WITH THE HEX BOLTS THAT ARE INSTALLED IN THE SANDBOX BOARDS. ATTACH EACH GROUND STAKE WITH A #14 X 2" PAN HEAD SCREW AND A 1/4" FENDER WASHER PROVIDED WITH THE GROUND STAKE.



STEP 52: NAME PLATE

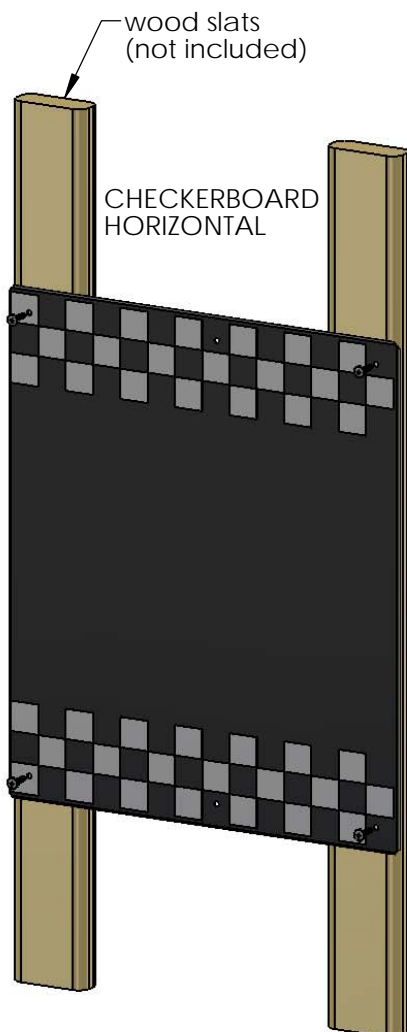
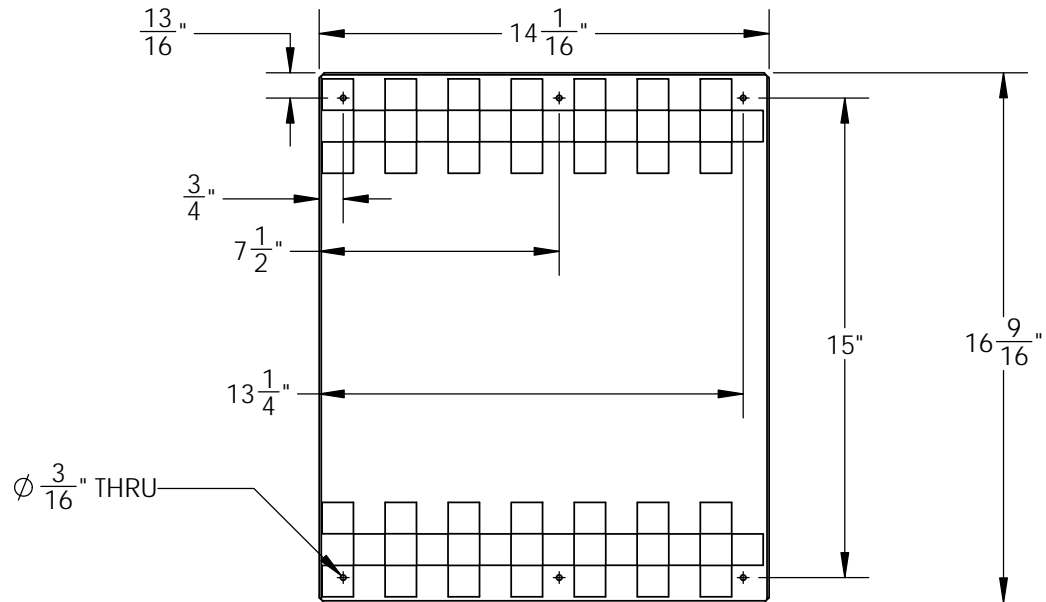
1: ATTACH THE MANUFACTURER NAME PLATE TO THE MIDDLE OF THE SWING BEAM WITH TWO 2" WOOD SCREWS.



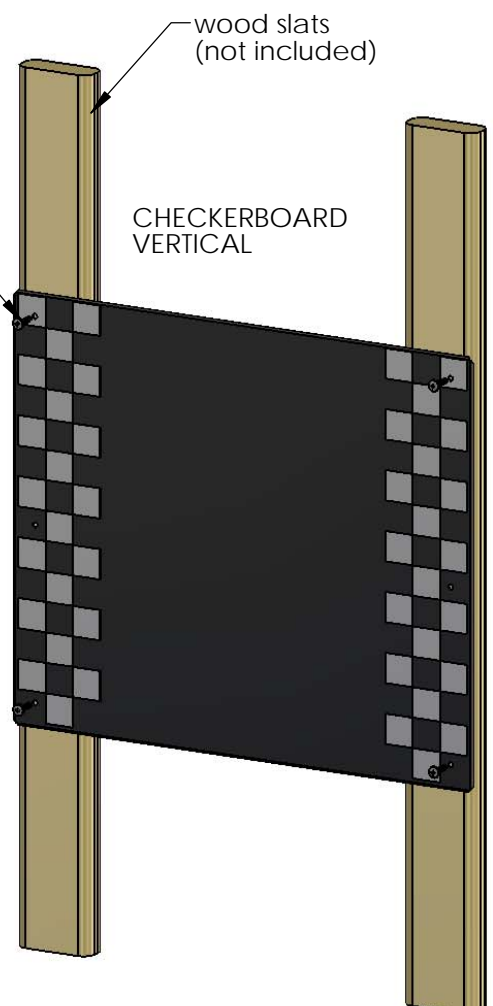
Chalkboard (07-0018)

1. Chalkboard may be mounted with the checkerboard "horizontal" or "vertical".
2. Attach Chalkboard to wood slats or plywood with four of the 3/4" (20mm) long pan head screws provided.

Please note: Chalkboard comes with a magnetic chalk holder which will stick to the chalkboard. This chalk holder is not shown below.



3/4" (20mm) long pan headscrew



NOTE:
Magnetic Chalk Holder
included (not shown)

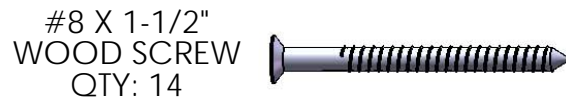
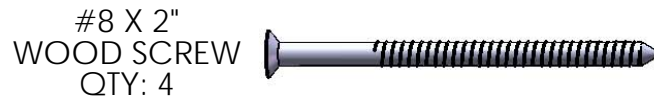
FOR RESIDENTIAL USE ONLY
FOR CHILDREN AGES 3-11

APPENDIX

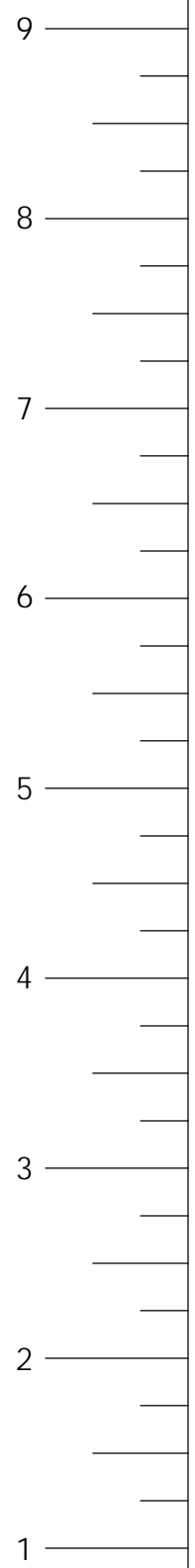
Chimney and Dormers

Hardware Kit

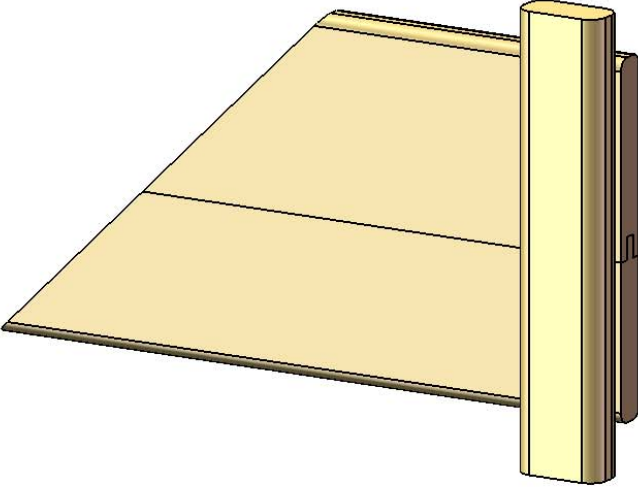
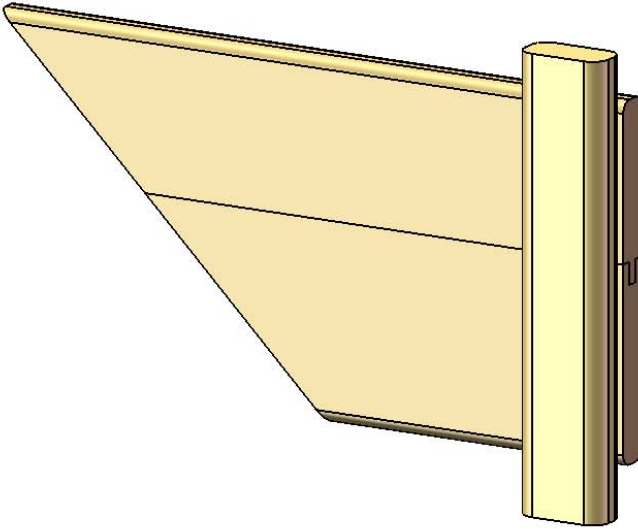
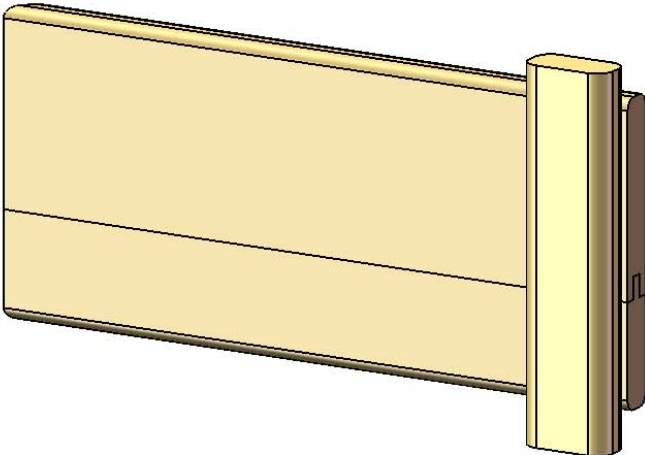
8/10/2015 JH



#2 SQUARE
DRIVE BIT
QTY: 1



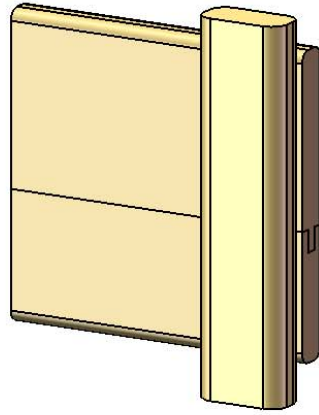
USE THE RULER TO THE RIGHT TO MEASURE YOUR BOLTS AND SCREWS. PICTURE VIEWS SHOWN ABOVE ARE 1:1 SCALE AND CAN BE USED TO MATCH BOLT AND SCREW SIZES.

PICTURE	DESCRIPTION	QTY.
	CHIMNEY LEFT SIDE ASSEMBLY	1
	CHIMNEY RIGHT SIDE ASSEMBLY	1
	CHIMNEY FRONT ASSEMBLY	1

PICTURE

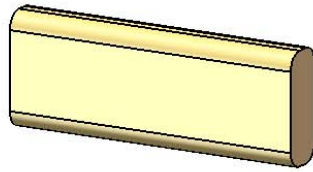
DESCRIPTION

QTY.



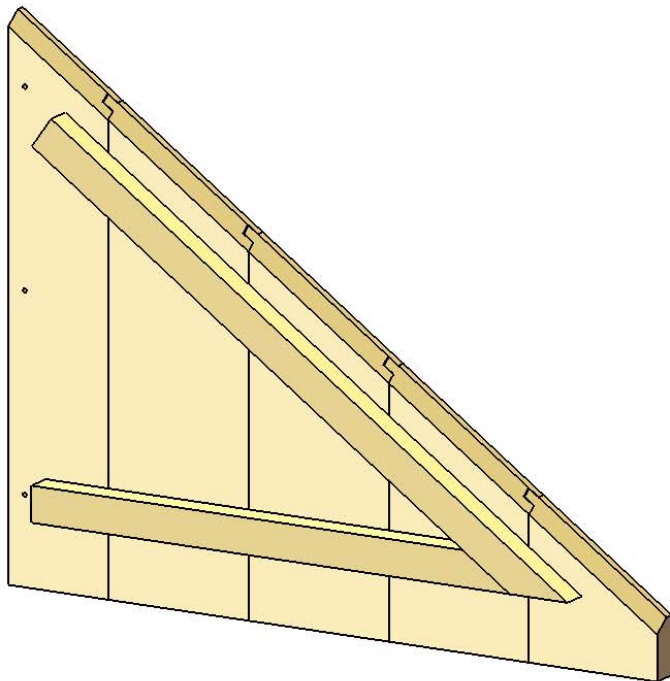
CHIMNEY
REAR
ASSEMBLY

1



5/4X3X6-3/4"
CHIMNEY
MOUNTING
BLOCK

1



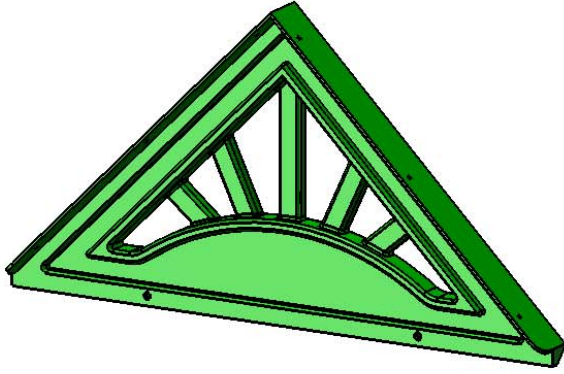
DORMER
LEFT SIDE
ASSEMBLY

2

PICTURE

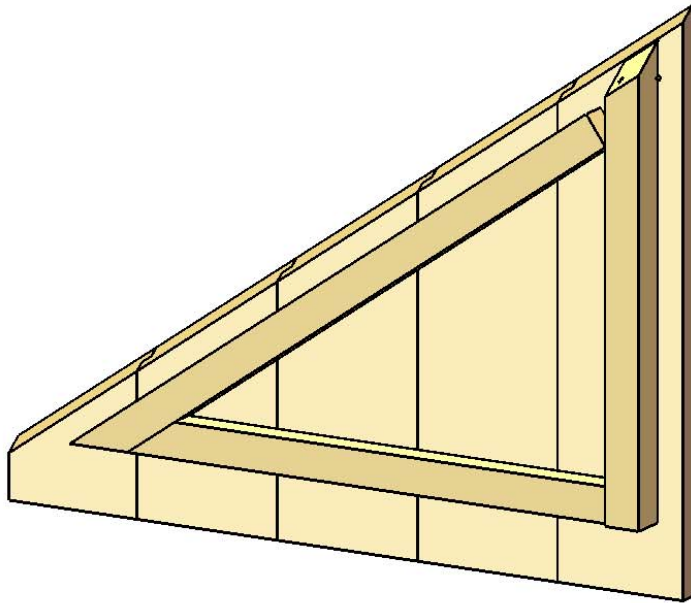
DESCRIPTION

QTY.



PLASTIC
DORMER
SUNBURST
(07-0031)

2

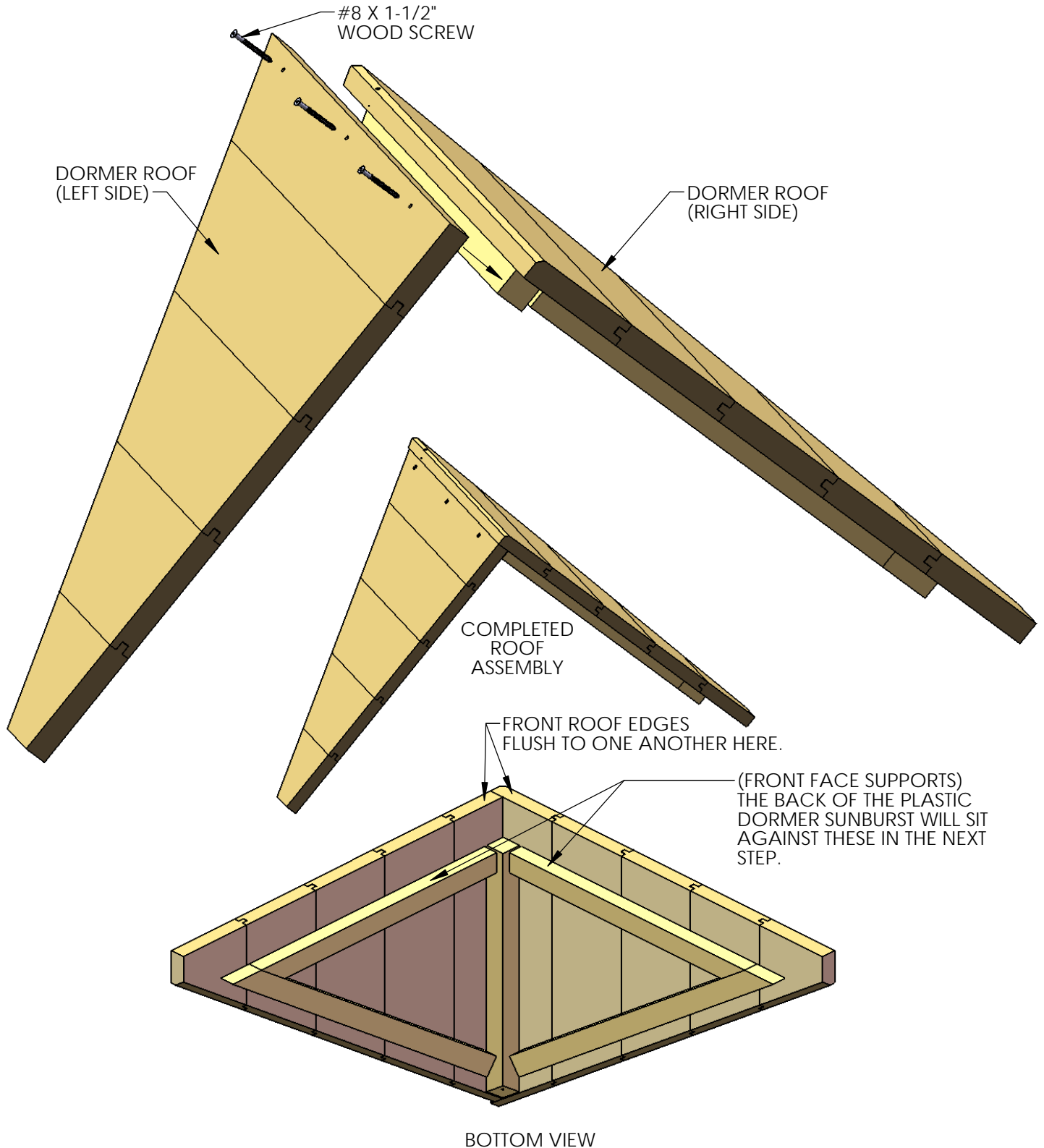


DORMER
RIGHT SIDE
ASSEMBLY

2

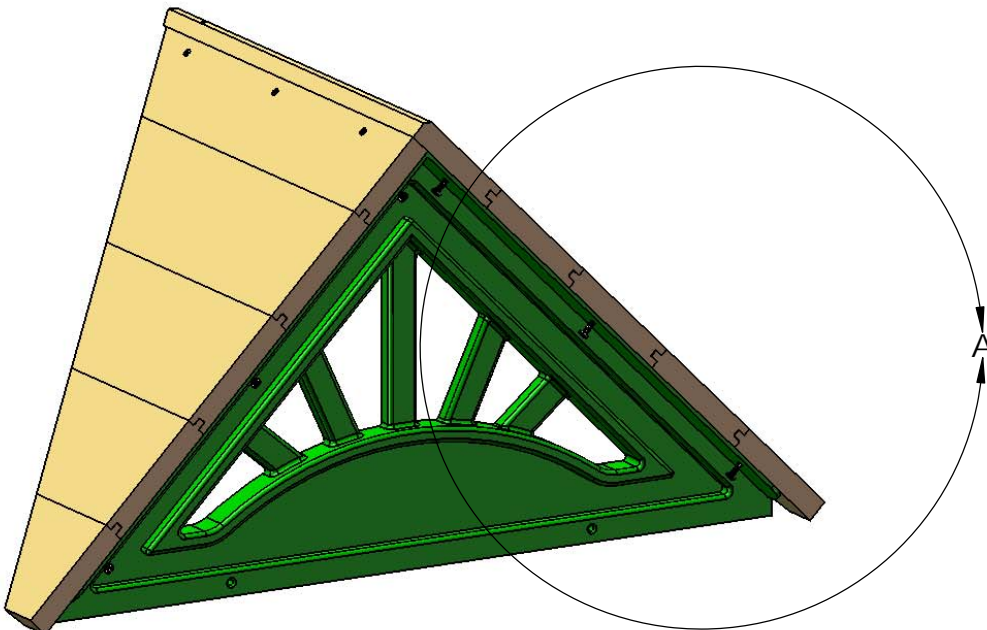
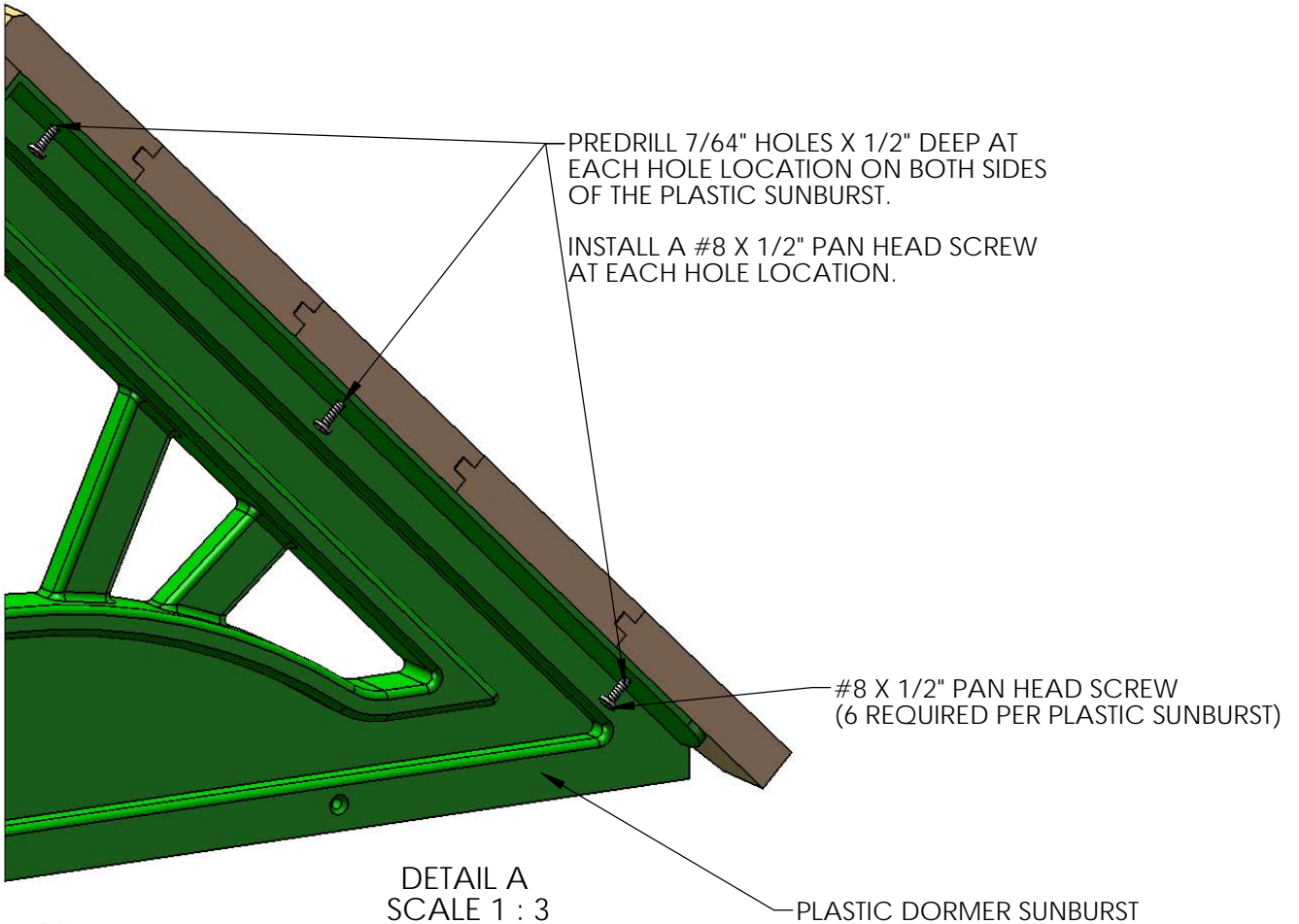
STEP 1: DORMER

- 1: OVERLAP THE LEFT DORMER SIDE ONTO THE PEAK SUPPORT OF THE RIGHT DORMER SIDE.
 - 2: MAKE SURE THE FRONT ROOF EDGES ARE FLUSH TO ONE ANOTHER
 - 3: FASTEN THE LEFT DORMER SIDE TO THE PEAK SUPPORT WITH #8 X 1-1/2" WOOD SCREWS.
- REPEAT SUBSTEPS 1-3 TO CONSTRUCT ANOTHER ROOF ASSEMBLY.



STEP 2: DORMER

- 1: PLACE THE PLASTIC DORMER SUNBURST AGAINST THE FRONT FACE SUPPORT ON THE LEFT AND RIGHT ROOF SIDES.
 - 2: PREDRILL 7/64" PILOT HOLES BY 1/2" DEEP INTO THE ROOF SIDES AT EACH HOLE LOCATION.
 - 3: INSTALL #8 X 1/2" PAN HEAD SCREWS TO FASTEN THE SUNBURST TO THE ROOF SIDES.
- REPEAT SUBSTEPS 1 THROUGH 3 TO CONSTRUCT THE SECOND DORMER.



STEP 3: DORMER

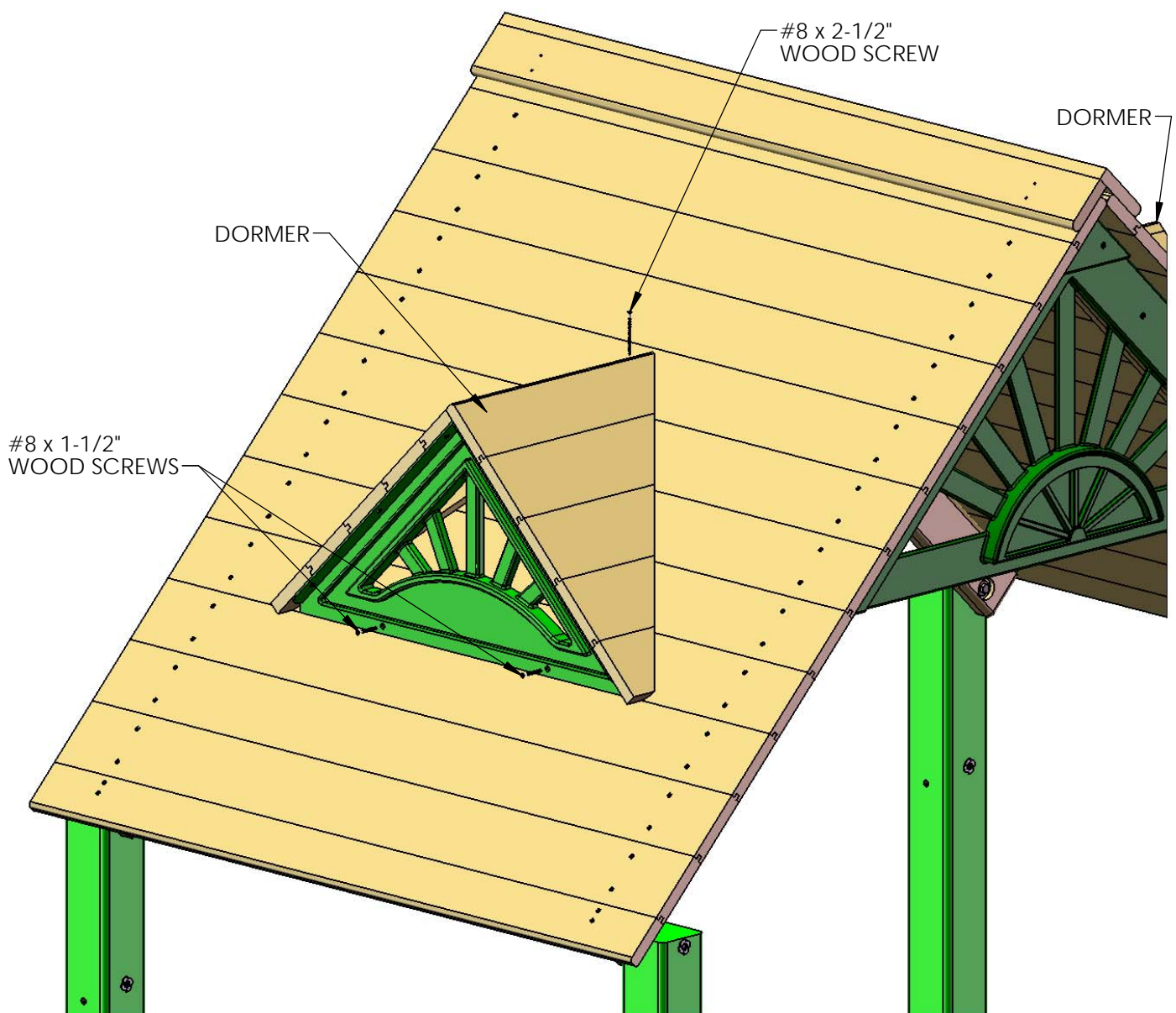
1: PLACE THE DORMER ASSEMBLY ON THE ROOF AS SHOWN.

2: FOR 1500 SERIES UNITS LINE UP THE BOTTOM EDGE OF THE PLASTIC SUNBURST WITH THE LOWER EDGE OF THE 8TH ROOF BOARD.

3: CENTER THE DORMER FROM SIDE TO SIDE ON TOP OF THE ROOF.

4: ATTACH THE DORMER TO THE ROOF WITH ONE #8 X 2-1/2" WOOD SCREW AT THE REAR PEAK OF THE ROOF. ATTACH THE DORMER SUNBURST TO THE ROOF WITH TWO #8 X 1-1/2" WOOD SCREWS.

REPEAT SUBSTEPS 1 THROUGH 4 FOR THE DORMER ON THE OTHER SIDE OF THE ROOF.

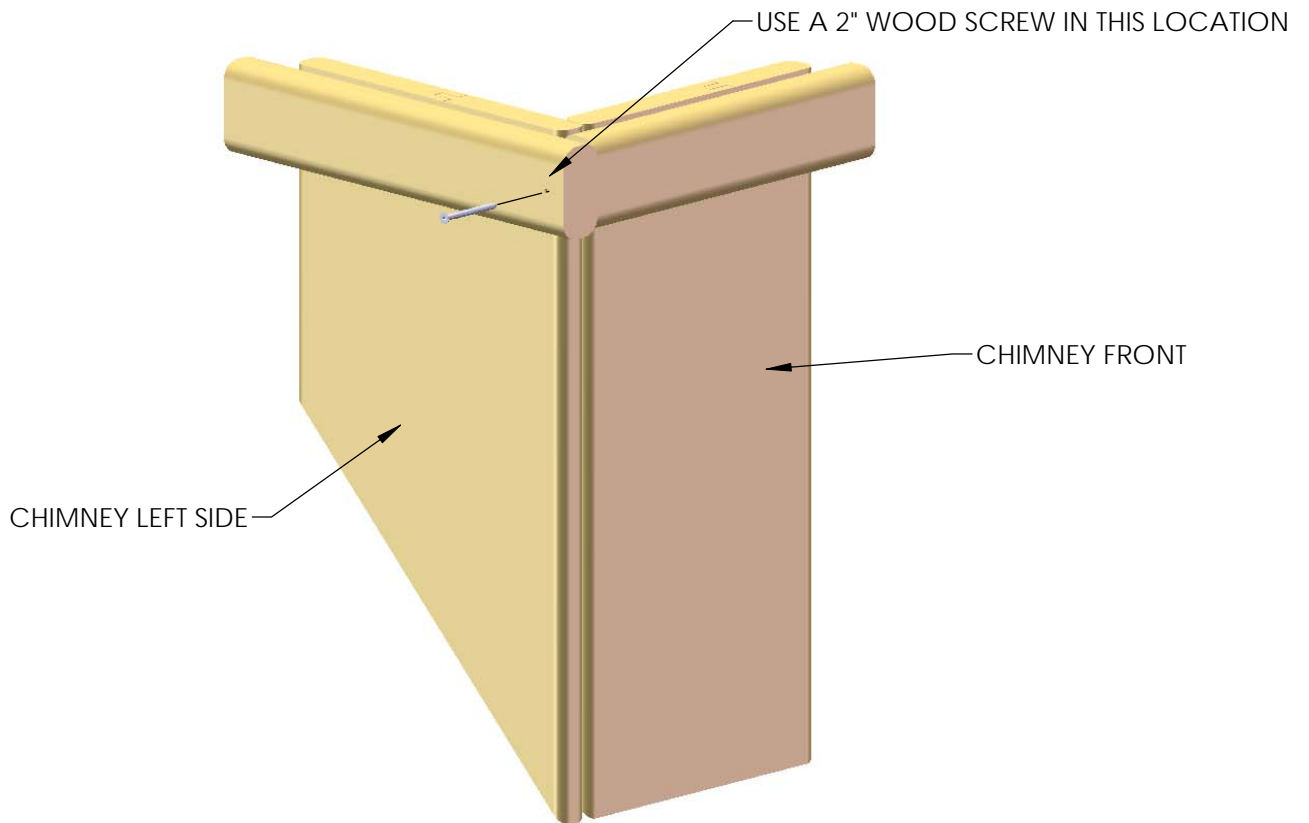


THE UNIT SHOWN ABOVE MAY NOT BE YOUR EXACT PLAY SET.
SHOWN FOR ILLUSTRATION PURPOSES ONLY.

STEP 4: CHIMNEY

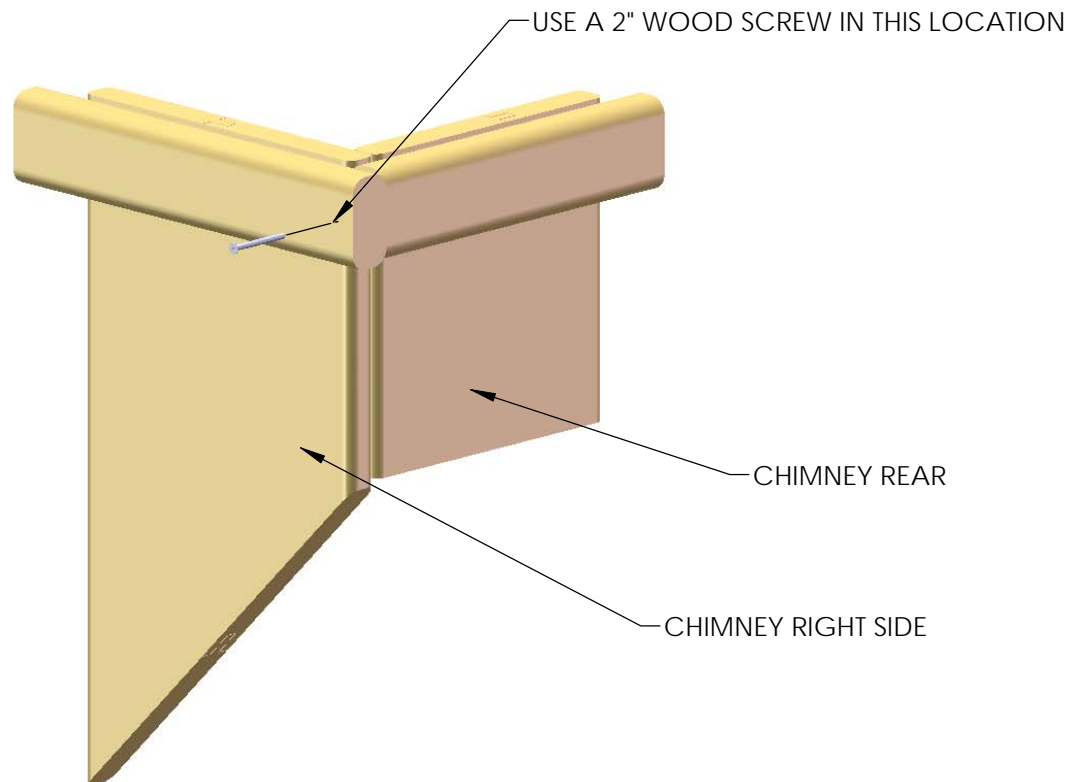
1: FIND THE FRONT AND LEFT SIDE OF THE CHIMNEY.

2: ATTACH THE FRONT AND LEFT SIDES OF THE CHIMNEY WITH A 2" WOOD SCREW.



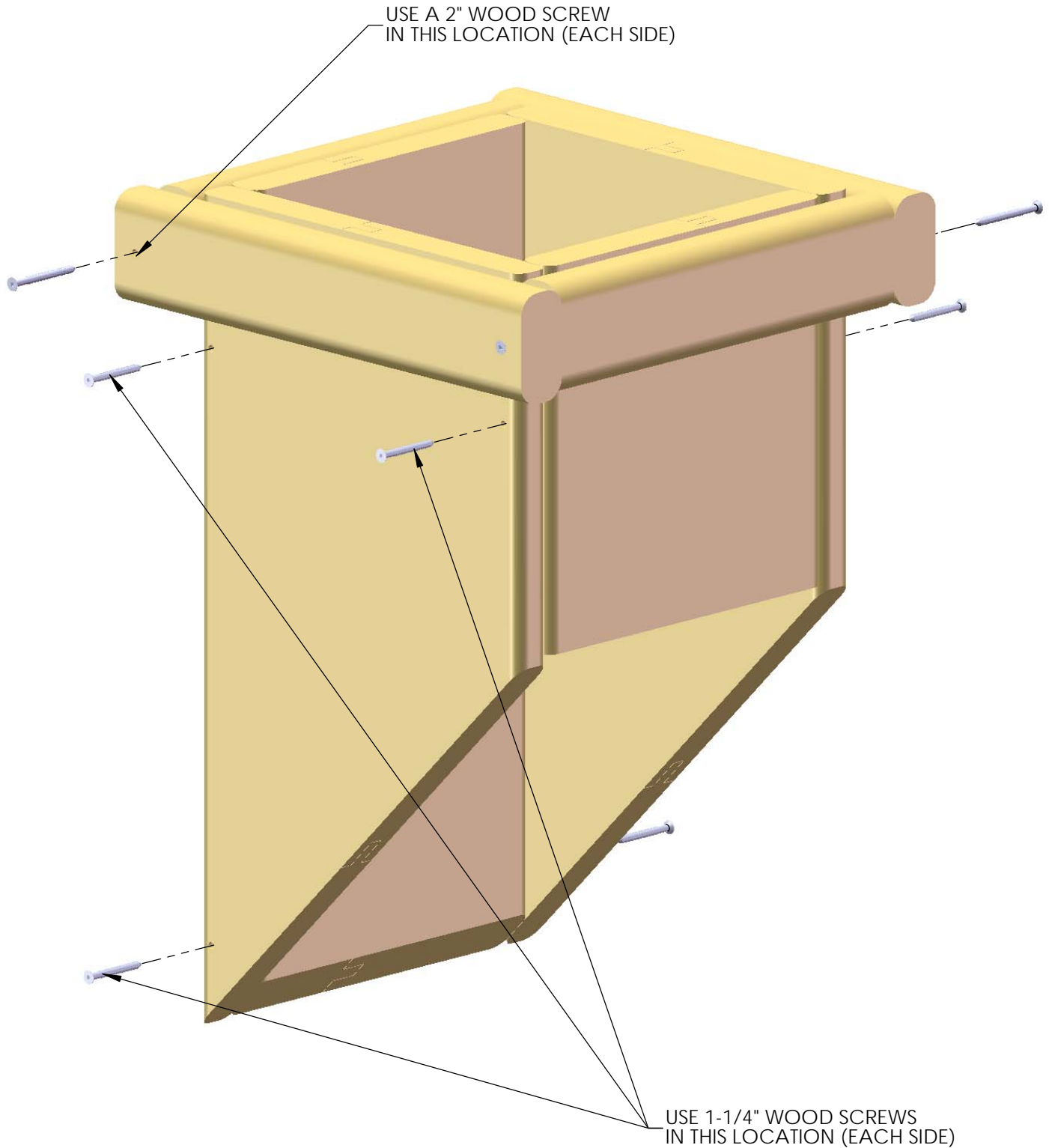
1: FIND THE REAR AND RIGHT SIDE OF THE CHIMNEY.

2: ATTACH THE REAR AND RIGHT SIDES OF THE CHIMNEY WITH A 2" WOOD SCREW.



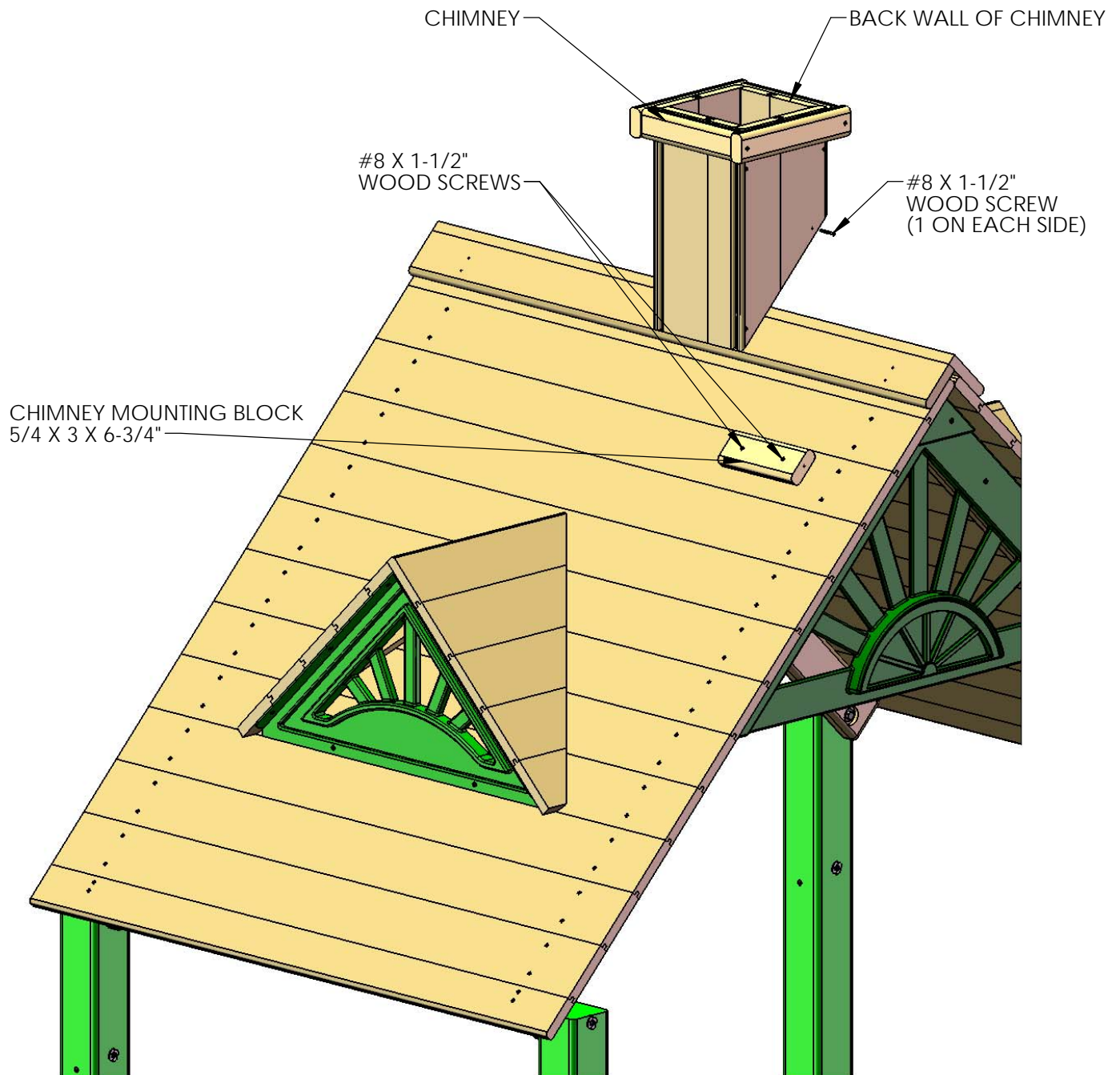
STEP 5: CHIMNEY

1: ATTACH THE CHIMNEY SIDES FROM THE PREVIOUS SIDES TO FORM THE CHIMNEY WITH 2" AND 1-1/4" WOOD SCREWS.



STEP 6: CHIMNEY

- 1: FASTEN THE 5/4 X 3 X 6-3/4" CHIMNEY MOUNTING BLOCK TO THE ROOF WITH #8 X 1-1/2" WOOD SCREWS. YOU CAN PLACE THE BLOCK AT ANY DESIRED PLACE ON THE ROOF. USE THE DIAGRAM BELOW AS A GUIDE FOR A SUGGESTED PLACE TO MOUNT THE CHIMNEY.
- 2: AFTER INSTALLING THE CHIMNEY MOUNTING BLOCK PLACE THE CHIMNEY ASSEMBLY ON THE ROOF SO THAT THE INSIDE OF THE BACK WALL RESTS AGAINST THE BLOCK.
- 3: FASTEN THE CHIMNEY TO THE CHIMNEY MOUNTING BLOCK WITH A #8 X 1-1/2" WOOD SCREW IN EACH SIDE.



THE ABOVE UNIT MAY NOT BE YOUR EXACT PLAY SET.
SHOWN FOR ILLUSTRATION PURPOSES ONLY.

382	PICTURE	DESCRIPTION	QTY.
		4 X 4 X 47.375" MONKEY BAR SUPPORT 4-4-4738-MBS	1
		4 X 4 X 70" MONKEY BAR RUNNER - LEFT 4-4-7000-MBRL	1
		4 X 4 X 70" MONKEY BAR RUNNER - RIGHT 4-4-7000-MBRR	1
		4 X 4 X 86.50" MONKEY BAR LADDER 4-4-8650-MBL	2
		1-5/16" DIA. X 19.75" LONG MONKEY BAR	9
		8-5/8"W 6-1/2"H MONKEY BAR PLATE	2
		SAFETY HANDLE	2

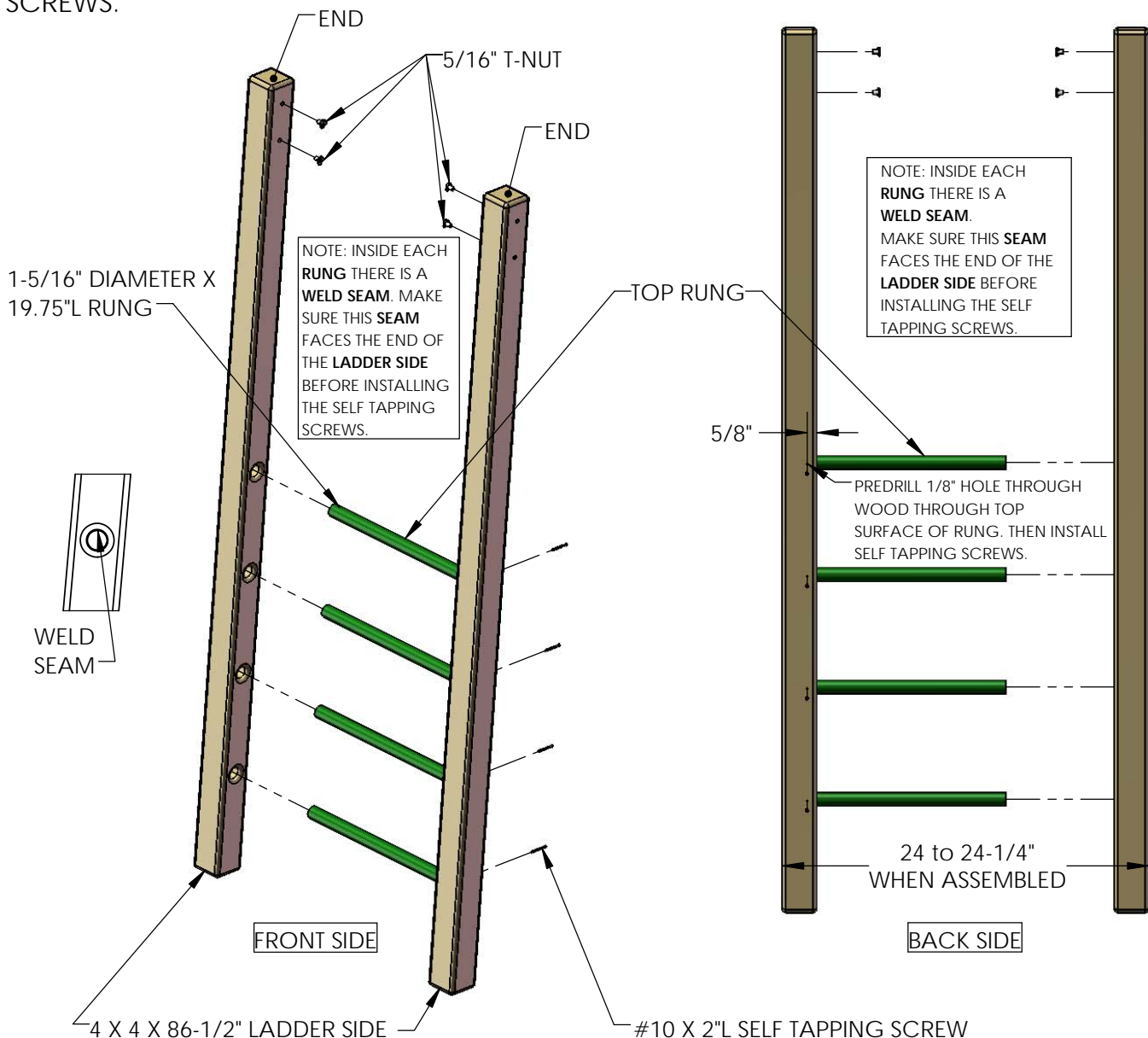
STEP 1: ASSEMBLING THE LADDER

1: SEE **FRONT SIDE** BELOW. START WITH 4 X 4 X 86-1/2" LADDER SIDES. WITH THE LARGE HOLES FACING YOU INSTALL A TEE NUT INTO THE TWO SMALL HOLES AT THE END OF EACH SIDE.

2: SEE **FRONT SIDE** BELOW. LOCATE FOUR 1-5/16" DIAMETER X 19.75" LONG CYLINDRICAL MONKEY BAR RUNGS. LAY ONE LADDER SIDE ON THE GROUND WITH THE LARGE HOLES FACING UP. INSERT A RUNG INTO EACH LARGE HOLE WITH THE WELD SEAM INSIDE THE RUNG FACING THE **END** OF THE LADDER SIDE. YOU MAY HAVE TO USE A RUBBER Mallet TO SEAT THE RUNG AGAINST THE BOTTOM OF EACH LARGE HOLE.

3: SEE **BACK SIDE** BELOW. MEASURE 5/8" FROM THE INSIDE EDGE OF THE LADDER SIDE AND MAKE A MARK CENTERED OVER THE TOP RUNG. MAKE SURE THE RUNG IS SEATED AGAINST THE BOTTOM OF HOLE. PREDRILL A 1/8" PILOT HOLE THROUGH THE WOOD, THEN THROUGH THE TOP SURFACE OF THE RUNG FACING YOU. NEXT, DRIVE A #10 X 2" L SELF TAPPING SCREW THROUGH THE WOOD INTO THE RUNG. REPEAT THIS STEP FOR EACH RUNG, PREDRILLING THEM ONE AT A TIME AND THEN INSTALLING A #10 X 2" L SELF TAPPING SCREW.

4: PLACE THE LADDER SIDE WITH THE RUNGS IN IT ON THE GROUND WITH THE RUNGS POINTING UPWARDS. LOCATE THE OTHER LADDER SIDE AND PLACE THE LARGE HOLES ONTO THE RUNG ENDS. IF NECESSARY USE A RUBBER Mallet TO SEAT THE RUNGS INTO THE BOTTOM OF EACH LARGE HOLE. PLACE THE LADDER DOWN FLAT ON THE GROUND WITH THE SCREWS FACING YOU. REPEAT STEP 3 TO ATTACH THE OTHER LADDER SIDE TO THE RUNGS WITH SELF TAPPING SCREWS.



STEP 2: ASSEMBLING THE MONKEY BAR ASSEMBLY

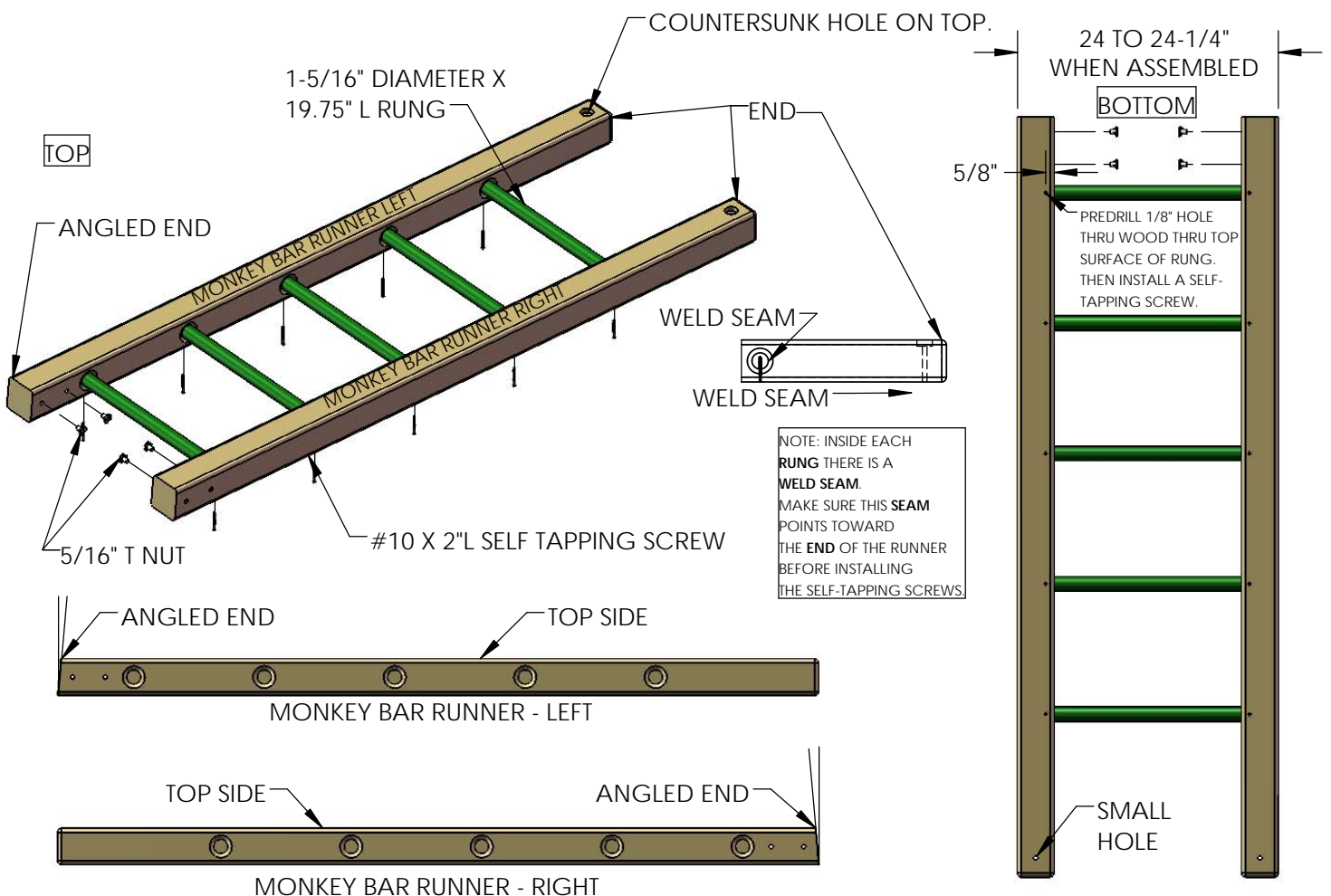
1: PLEASE NOTE: THERE IS A LEFT AND RIGHT MONKEY BAR RUNNER (SEE BOTTOM LEFT PICTURES BELOW).

2: START WITH THE 4 X 4 X 70" MONKEY BAR RUNNERS. WITH THE FIVE LARGE HOLES FACING YOU INSTALL A 5/16" T NUT INTO THE TWO SMALL HOLES AT THE ANGLED END OF EACH MONKEY BAR RUNNER.

3: SEE **TOP** BELOW. LOCATE FIVE 1-5/16" DIAMETER X 19.75" LONG CYLINDRICAL MONKEY BAR RUNGS. LAY THE **LEFT** MONKEY BAR RUNNER ON THE GROUND WITH THE LARGE HOLES FACING UP. INSERT A RUNG INTO EACH LARGE HOLE WITH THE WELD SEAM INSIDE THE RUNG FACING THE **END** OF THE RUNNER. YOU MAY HAVE TO USE A RUBBER Mallet TO SEAT THE RUNG AGAINST THE BOTTOM OF EACH LARGE HOLE. **DO NOT** ATTACH THE **RIGHT** MONKEY BAR RUNNER TO THE RUNGS YET.

4: SEE **BOTTOM** AT RIGHT BELOW. THE BOTTOM SIDE OF EACH MONKEY BAR RUNNER HAS ONLY ONE SMALL HOLE IN IT. MEASURE 5/8" FROM THE INSIDE EDGE OF THE MONKEY BAR RUNNER AND MAKE A MARK CENTERED OVER THE RUNG. MAKE SURE THE RUNG IS SEATED AGAINST THE BOTTOM OF HOLE. PREDRILL A 1/8" PILOT HOLE THROUGH THE WOOD, THEN THROUGH THE TOP SURFACE OF THE RUNG FACING YOU. NEXT, DRIVE A #10 X 2"L SELF TAPPING SCREW THROUGH THE WOOD INTO THE RUNG. REPEAT THIS STEP FOR EACH RUNG, PREDRILLING THEM ONE AT A TIME AND THEN INSTALLING A #10 X 2"L SELF TAPPING SCREW.

5: PLACE THE **LEFT** MONKEY BAR RUNNER WITH THE RUNGS ATTACHED TO IT ON THE GROUND WITH THE RUNGS POINTING UPWARDS. LOCATE THE **RIGHT** MONKEY BAR RUNNER AND PLACE THE FIVE LARGE HOLES ONTO THE RUNG ENDS. IF NECESSARY USE A RUBBER Mallet TO SEAT THE RUNGS INTO THE BOTTOM OF EACH LARGE HOLE. PLACE THE MONKEY BAR RUNNER ASSEMBLY DOWN FLAT ON THE GROUND WITH THE SCREWS FACING YOU. REPEAT STEP 4.

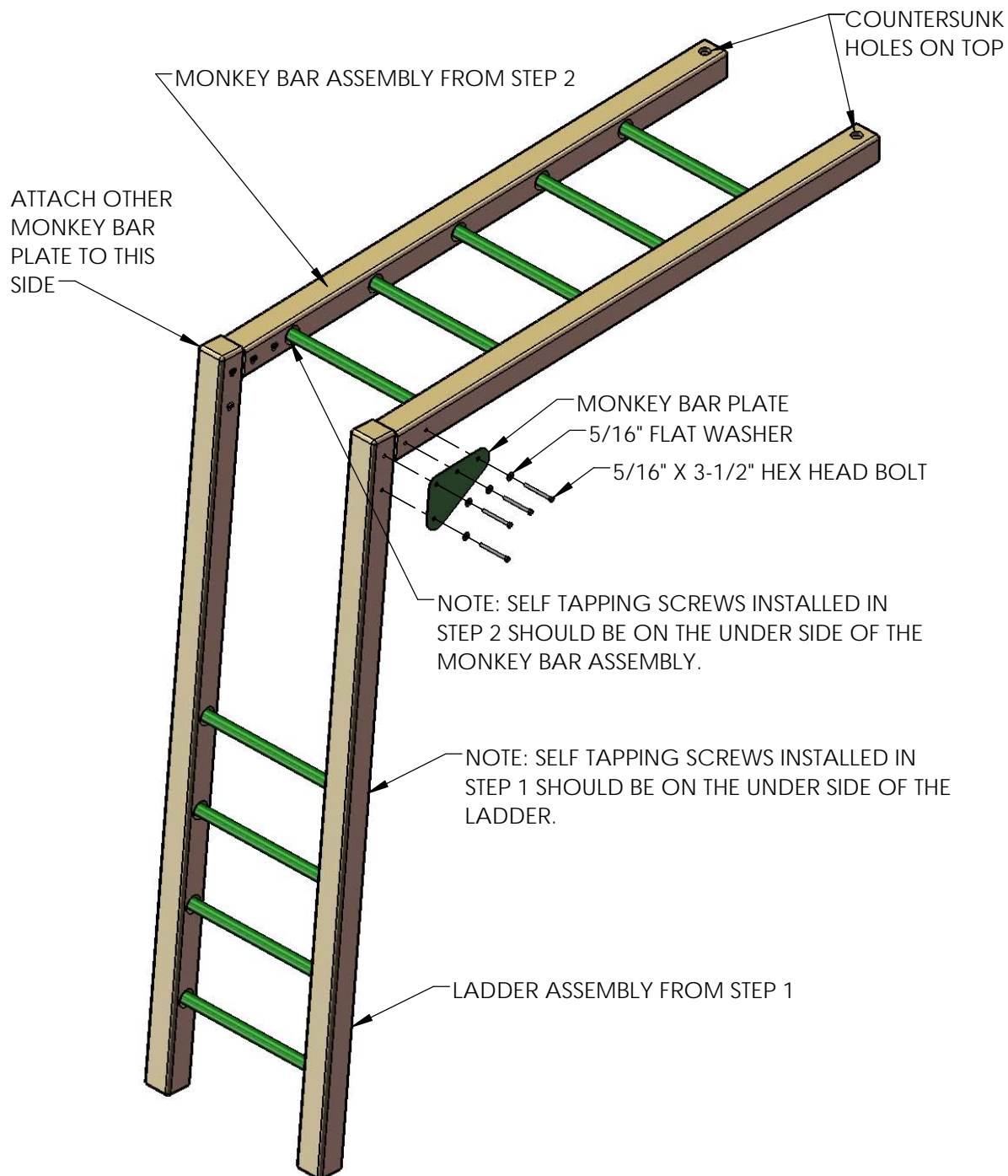


STEP 3: ATTACHING THE LADDER TO THE MONKEY BAR ASSEMBLY

1: LOCATE TWO 8-5/8" W X 6-1/2"H MONKEY BAR PLATES, EIGHT 5/16" X 3-1/2"L HEX BOLTS AND EIGHT 5/16" FLAT WASHER. **LOOSELY** ATTACH THE LADDER ASSEMBLY TO THE MONKEY BAR ASSEMBLY WITH THE MONKEY BAR PLATES. USE 5/16" X 3-1/2"L HEX BOLTS WITH 5/16" FLAT WASHERS TO ATTACH THE MONKEY BAR PLATES TO THE T-NUTS PREVIOUSLY INSTALLED.

2: ONCE ALL THE HEX BOLTS ARE STARTED IN THE T-NUTS TIGHTEN THEM DOWN.

NOTE: THE SELF TAPPING SCREWS INSTALLED IN STEPS 1 & 2 SHOULD BE FACING THE BACK SIDE OF THE LADDER ASSEMBLY AND THE UNDER SIDE OF THE MONKEY BAR ASSEMBLY.

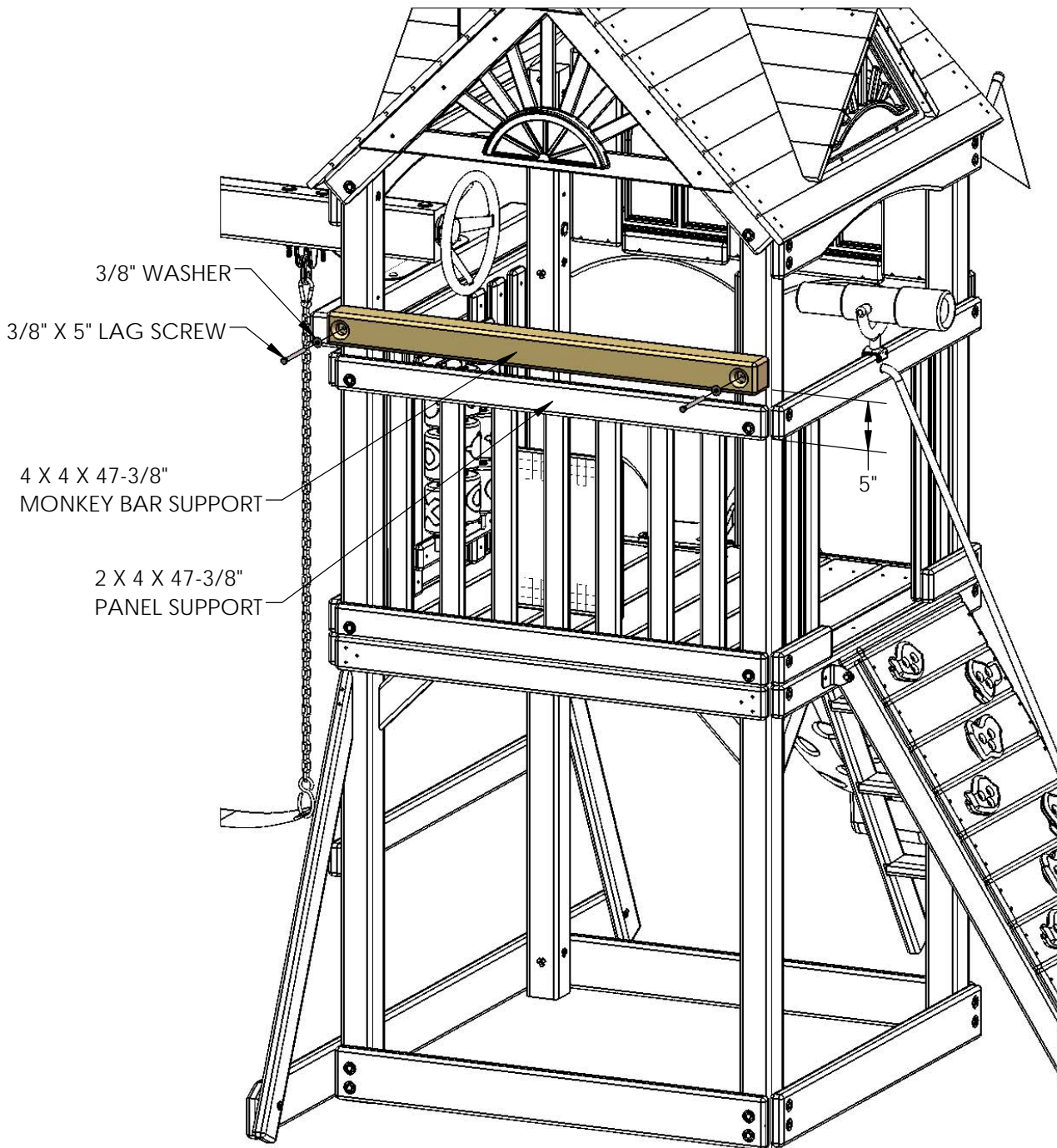


STEP 4: MONKEY BAR SUPPORT

1: GO TO REAR OF YOUR PLAY SET.

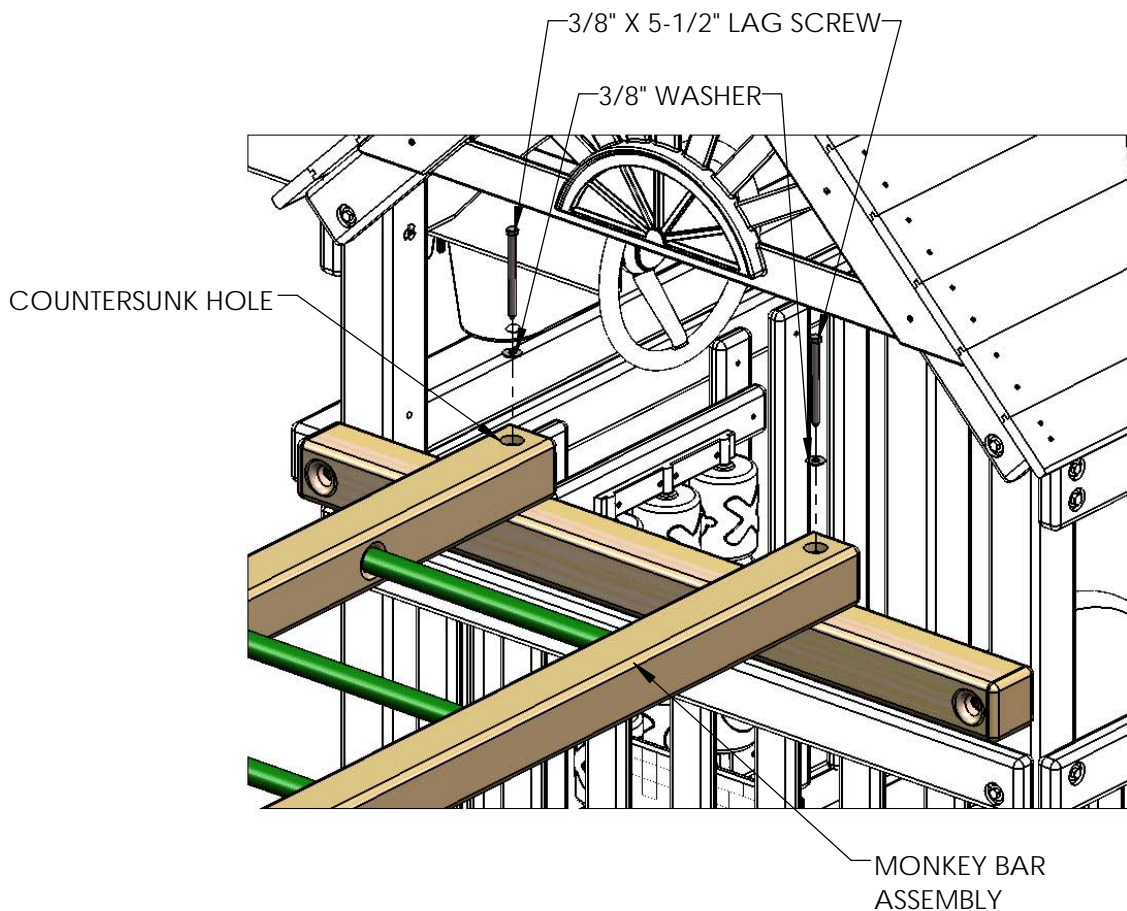
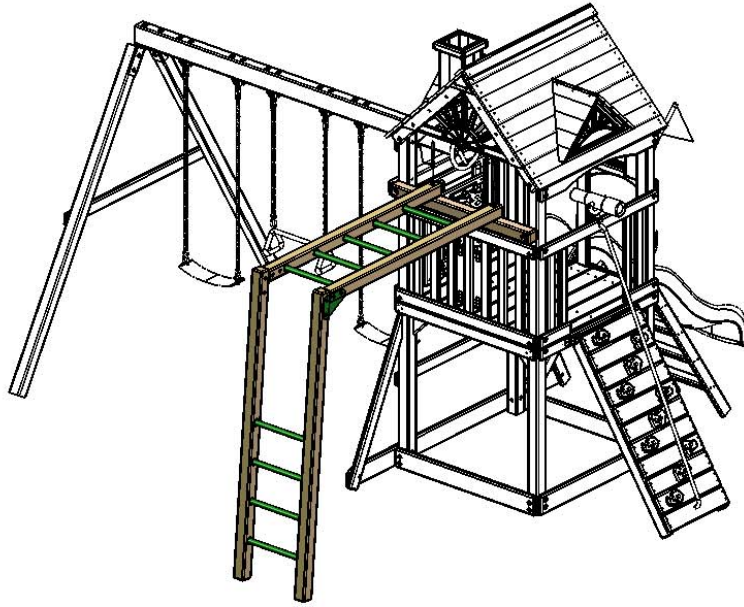
2: MEASURE UP 5" FROM THE BOTTOM OF THE 2 X 4 X 47-3/8" PANEL SUPPORT AND MAKE A MARK ON EACH OF THE REAR CORNER POSTS.

3: PLACE THE BOTTOM OF THE 4 X 4 X 47-3/8" MONKEY BAR SUPPORT ON THE MARKS AND ATTACH TO THE CORNER POSTS WITH 3/8" X 5" LAG SCREWS AND 3/8" WASHERS.



STEP 5: ATTACHING THE MONKEY BARS

- 1: CENTER THE MONKEY BAR ASSEMBLY ON TOP OF THE 4 X 4 X 47-3/8" MONKEY BAR SUPPORT. THE COUNTERSUNK HOLES IN THE MONKEY BAR ASSEMBLY SHOULD FACE UP.
- 2: THE END OF THE MONKEY BAR ASSEMBLY SHOULD BE FLUSH AGAINST THE INSIDE FACE OF THE MONKEY BAR SUPPORT.
- 3: ATTACH THE MONKEY BAR ASSEMBLY TO THE MONKEY BAR SUPPORT WITH TWO 3/8" X 5" LAG SCREWS AND TWO 3/8" WASHERS.



STEP 6: ATTACHING THE SAFETY HANDLES

1: LOCATE THE TWO GREEN SAFETY HANDLES, FOUR #14 X 1-1/4" PAN HEAD SCREWS AND FOUR 1/4" FLAT WASHERS.

2: ATTACHING EACH SAFETY HANDLE TO THE LADDER SIDE WITH TWO #14 X 1-1/4" PAN HEAD SCREWS AND TWO 1/4" FLAT WASHERS PER HANDLE. ADJUST THE HANDLES UP AND DOWN VERTICALLY TO SUIT YOUR CHILD'S REACH.

