

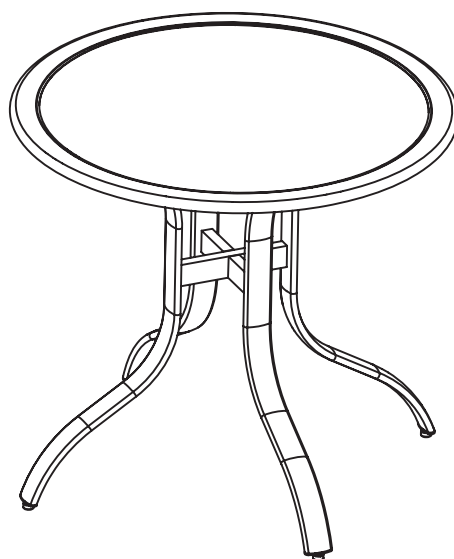
Item # 0000 000 000



Model #191-A19-26-30T-ACWH
Model #191-A19-26-30T-ACBR
Model #191-A19-26-30T-ACBL

USE AND CARE GUIDE

STERLING 30in. ROUND ACRYLIC TOP BISTRO TABLE



Questions, problems, missing parts? Before returning to the store,
call Hampton Bay Customer Service
8.00 a.m. - 7.00 p.m. EST, Monday - Friday,
9.00 a.m. - 6.00 p.m. EST, Saturday

1-855-HD-HAMPTON

HAMPTONBAY.COM

THANK YOU

We appreciate the trust and confidence you have placed in Hampton Bay through the purchase of this table. We strive to continually create quality products designed to enhance your home. Visit us online to see our full line of products available for your home improvement needs. Thank you for choosing Hampton Bay!

Table of Contents

Table of Contents	2	Pre-Assembly.....	3
Important Safety Instructions	2	Planning Assembly	3
Warranty	2	Hardware Included.....	3
2 Year Frame Limited Warranty.....	2	Package Contents	4
What Is Covered	2	Assembly.....	5
What Is Not Covered	2		
Care & Cleaning	2		

Important Safety Instructions

READ ALL INSTRUCTIONS BEFORE USE

To reduce the risk of injury to persons:

1. Close supervision is necessary when this furnishing is used by or near children, or disabled persons, if applicable.
2. Use this furnishing only for its intended use as described in these instructions.
3. Do not move the table while is occupied. Failure to obey this caution could result in injury.



WARNING: Do not stand or sit on the table. Do not put heavy objects on the table.



WARNING: Do not put hot pot directly on the table top. Do not use firepit on the table top.



CAUTION: Use the table on flat ground only.

Warranty

2 YEAR FRAME AND TABLE TOP LIMITED WARRANTY

WHAT IS COVERED

We warrant the frame and table top to be free of manufacturing defects to the original purchaser for two years.

WHAT IS NOT COVERED

It remains the customer's responsibility for freight and packaging charges to and from our service center. This warranty does not cover commercial use, hardware, acts of nature, fire, freezing and abusive use. In addition, purchased parts are not covered under this warranty. We reserve the right to make substitutions with similar merchandise, if the model in question is no longer in production.

Care & Cleaning

Before using, wipe with a clean, dry cloth. Do not use bleach or solvents. Treat the frame with liquid wax for maximum protection against UV light and salty, damp air. When not in use, store the furniture in a cool, dry place. When cleaning the table top, use a clean soft cloth that does not bleed color.

You may contact our customer service department with any questions by phone at 1-855-HD-HAMPTON or visit www.hamptonbay.com.

Pre-Assembly

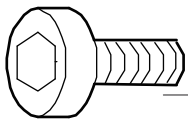
PLANNING ASSEMBLY

It will take two people about 10 minutes to complete the assembly process.

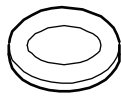
HARDWARE INCLUDED



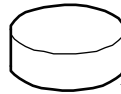
NOTE: Hardware not shown to actual size.



AA



BB



CC

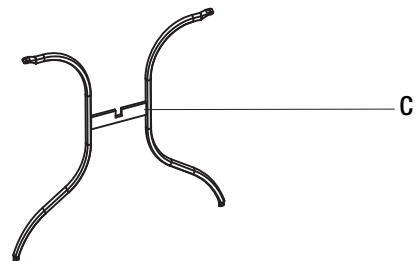
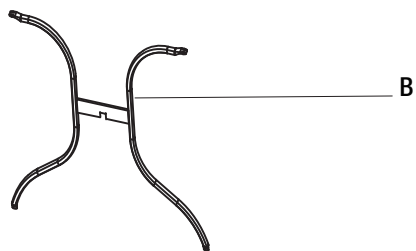
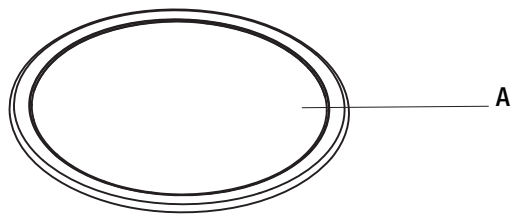


DD

Part	Description	Quantity
AA	Bolt (M6x15)	8
BB	Washer (M6)	8
CC	Bolt cap	8
DD	Hex wrench	1

Pre-Assembly (continued)

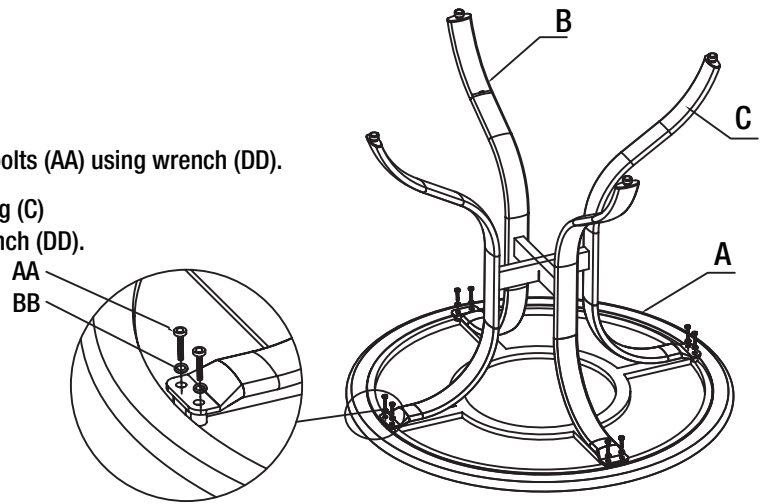
PACKAGE CONTENTS



Part	Description	Quantity
A	Table top	1
B	Table leg	1
C	Table leg	1

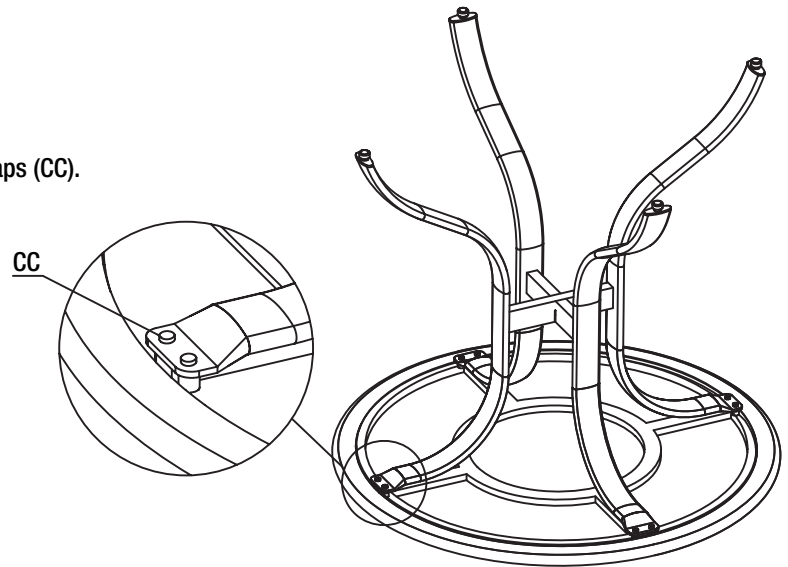
1 Attaching table legs

- Place the table top (A) upside down on a flat, smooth surface.
- Attach table leg (B) to the table top (A) with washers (BB) and bolts (AA) using wrench (DD).
- Slip fit table leg (C) into the table leg (B) and secure the table leg (C) onto the table top with washers (BB) and bolts (AA) using wrench (DD).



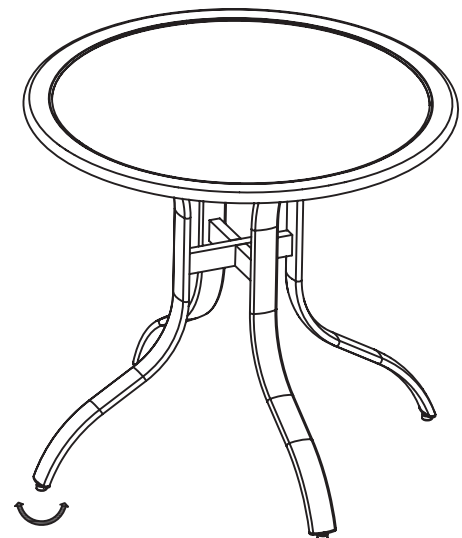
2 Attaching table legs

- Fully tighten all the bolts and cover them with bolt caps (CC).



3 Turning the table upright

- Level the table with foot glides if necessary.





Questions, problems, missing parts? Before returning to the store,
call Hampton Bay Customer Service
8.00 a.m. - 7.00 p.m. EST, Monday - Friday,
9.00 a.m. - 6.00 p.m. EST, Saturday

1-855-HD-HAMPTON

HAMPTONBAY.COM

Retain this manual for future use.