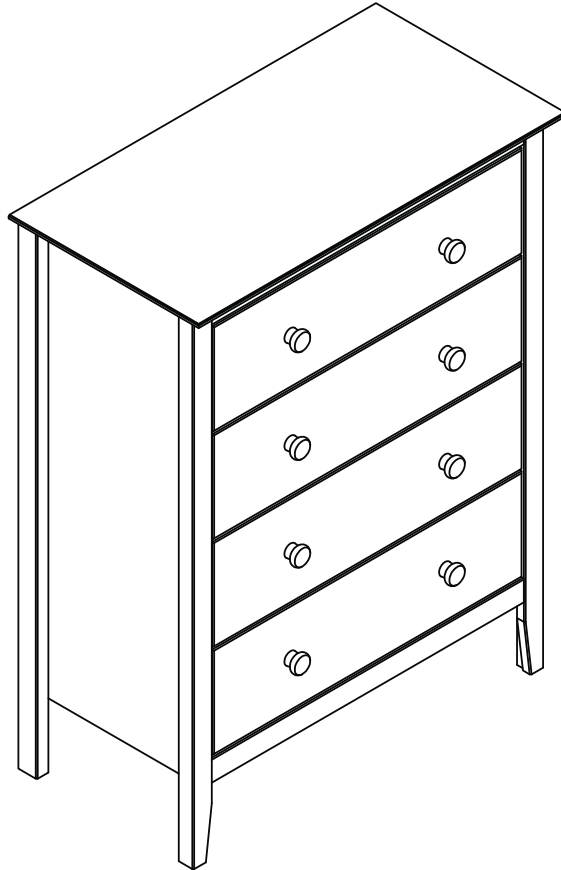


# ADEPTUS®

## ASSEMBLY INSTRUCTIONS

### Easy Pieces Four Drawer Chest

#### #77248 - Espresso Finish



#### **CUSTOMER SERVICE AND REPLACEMENT PARTS:**

FOR FASTER SERVICE ON PARTS OR HELP, PLEASE GO TO OUR WEBSITE AT [WWW.ADEPTUS.COM](http://WWW.ADEPTUS.COM);  
OR CALL TOLL FREE 1.888.ADEPTUS (1.888.233.7887) FOR ASSEMBLY QUESTIONS.  
MON-FRI 10 A.M. TO 4 P.M. E.S.T., CLOSED HOLIDAYS

#### **IF YOU CALL, PLEASE HAVE ON HAND:**

- PRODUCT NAME AND STOCK NUMBER
- WHEN AND WHERE THE UNIT WAS PURCHASED
- P.O. NUMBER FROM THE BOTTOM OF THIS PAGE

IF WE ARE BUSY HELPING OTHER CUSTOMERS, PLEASE LEAVE YOU NAME AND NUMBER  
TO RECEIVE A RETURN CALL.

YOUR RETAILER MAY ALSO PROVIDE SERVICE OR PARTS.

#### **HELPFUL OVERALL:**

- SAVE THESE INSTRUCTION SHEETS AND THE BOX UNTIL YOU ARE SATISFIED WITH THE ASSEMBLY.
- DO NOT GLUE THE PARTS OF THE UNIT TOGETHER UNLESS YOU HAVE TESTED THE ASSEMBLY FIRST.
- PERFORM THE ASSEMBLY ON A CLEAN HARD SURFACE USING THE FLATTENED CARTON OR A TOWEL TO PROTECT THE SURFACE AND THE FINISH OF THE UNIT. DO NOT ASSEMBLE ON CARPET.

**VISIT [WWW.ADEPTUS.COM](http://WWW.ADEPTUS.COM) TO REGISTER YOUR PRODUCT AND SEE THE COMPLETE ADEPTUS LINE. REGISTRATION IS REQUIRED FOR PARTS REQUESTS.**

**THANK YOU FOR YOUR PURCHASE AND WELCOME TO ADEPTUS!**

NOTICE: THE WRITTEN INSTRUCTIONS CONTAINED HEREIN ARE COPYRIGHTED.  copyright  
all rights reserved

# Many People, One Thought

PROVIDING QUALITY SOLID WOOD FURNITURE AT AN AFFORDABLE PRICE HAS BEEN A GROUP EFFORT. FROM CONCEPT TO PRODUCT DESIGN, MANUFACTURING AND RETAILING, EACH AREA FOCUSES ON THE DETAILS THAT WILL ASSURE YOU A LOW PRICE. BUT NEVER AT THE EXPENSE OF FUNCTION, STYLING, OR GOOD SENSE.

A "READY - TO - ASSEMBLE" ITEM REDUCES TRANSPORTATION AND WAREHOUSING COSTS WHICH HELP YOUR RETAILER KEEP THEIR PRICES REASONABLE. NOW, YOU ARE JOINING "TEAM ADEPTUS" WITH THE FINAL STEP, ASSEMBLY.

• YOU ASSEMBLE, YOU SAVE •

**WELCOME TO ADEPTUS!**


---

## This is a **SOLID WOOD** product:

We inspect all wood, and follow guidelines to pass quality inspections. Solid wood furniture has knots, small cracks, and what may look like blemishes. These characteristics are a natural by product of producing furniture from natural material.

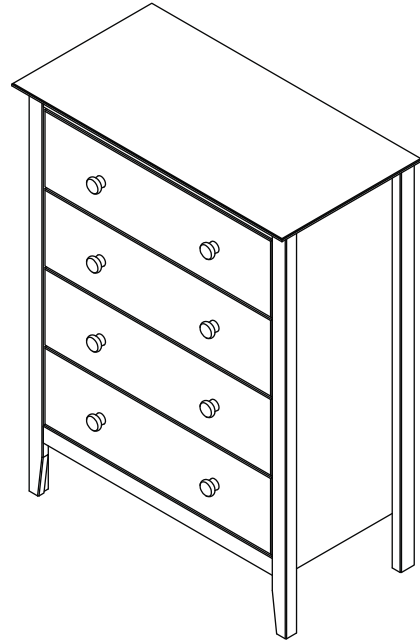
We take extra care with our drawer parts:

1. We use real wood drawers sides.
2. The drawer sides are not painted to help protect your clothes from chemical odors and residue.
3. Finely sanded drawer parts eliminate snags when storing your clothes.

  
**IMPORTANT**

Perform the entire assembly on a clean, hard surface using the flattened box or a towel to protect the surface and the unit's finish. **DO NOT** assemble on carpet.

Carpet creates too much bounce making assembly difficult and could lead to damage of the parts.



**PLEASE NOTE:**


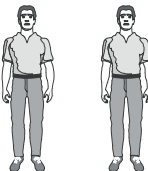

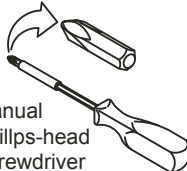
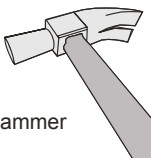
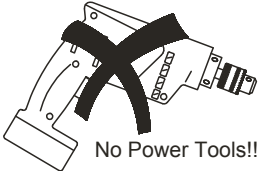
DOWELS (PART A) VARY EVER SO SLIGHTLY. IF A DOWEL (PART A) IS LOOSE, WE PREFER YOU CALL OUR TOLL FREE NUMBER FOR ADDITIONAL DOWELS - VS GLUING THE DOWEL.

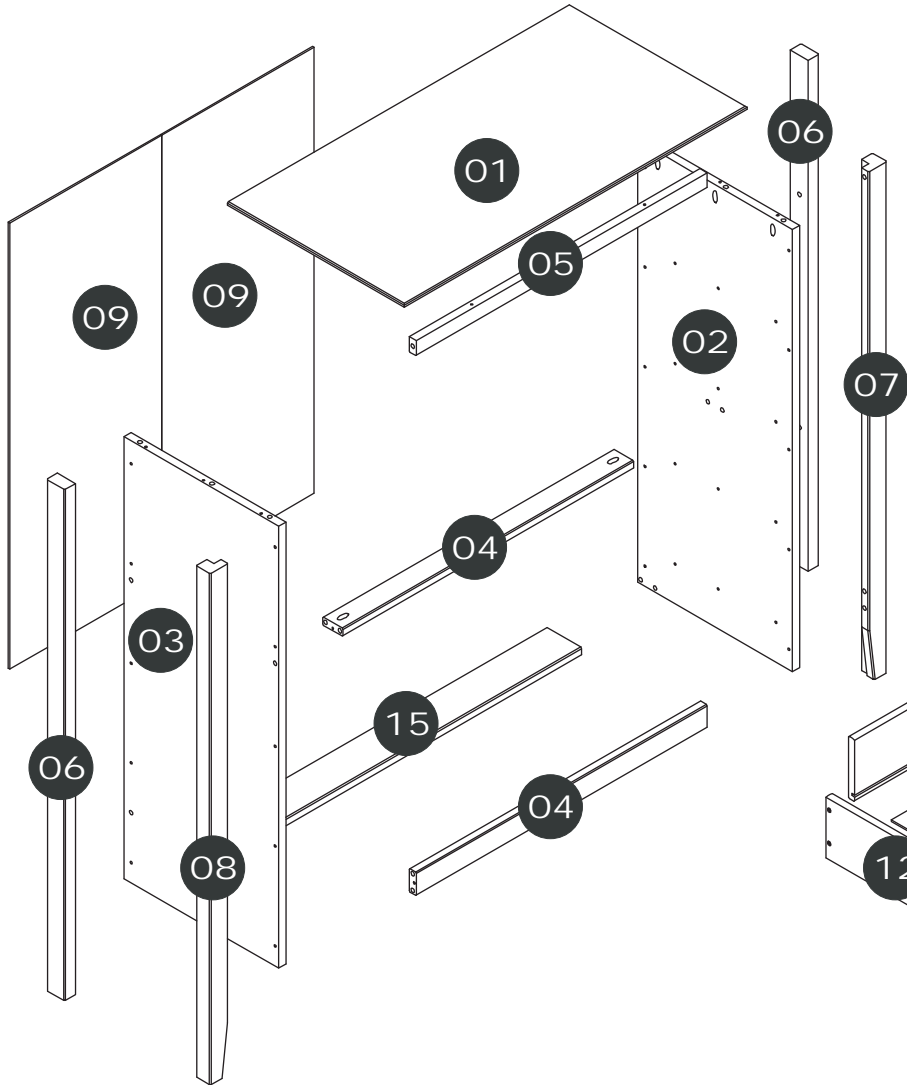
IF YOU CHOOSE TO GLUE THE PARTS, COMPLETELY TEST THE ASSEMBLY FIRST. WE DO NOT SUPPLY GLUE.

**Safety and Care Advice**

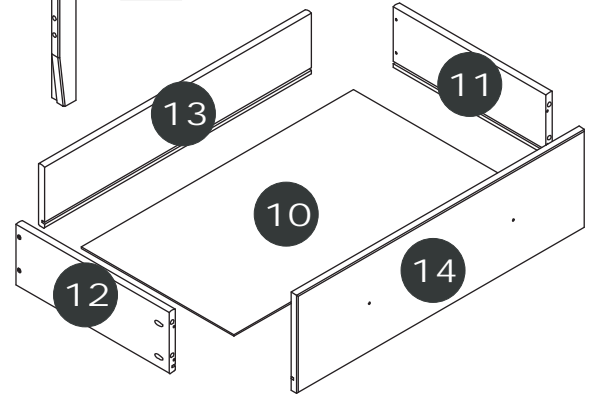
- Check you have all the components and tools listed on pages 3 & 4.
- Remove all fittings from the plastic bags and separate them into their groups.
- Keep children and animals away from the work area, small parts could choke if swallowed.
- Make sure you have enough space to layout the parts before starting.
- Do not stand or put weight on the product, this could cause damage.
- Assemble the item as close to its final position (in the same room) as possible.
- Opened box can be used to protect your floor or counter during assembly.
- Assembly is easier for drawer parts on a counter.
- Parts of the assembly will be easier with 2 people.
- We do not recommend the use of power drill/drivers for inserting screws, as this could damage the unit.
- Only use hand screwdrivers.
- Dispose of all packaging carefully and responsibly.

**These tools are not supplied by the manufacturer.**

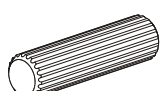

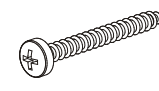
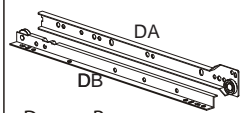
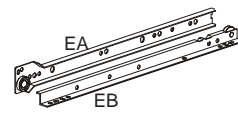
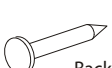


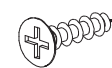

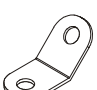

		 35 min	 Manual Phillips-head Screwdriver	 Hammer	 <b>No Power Tools!!</b>
---	---	---	---	--	--



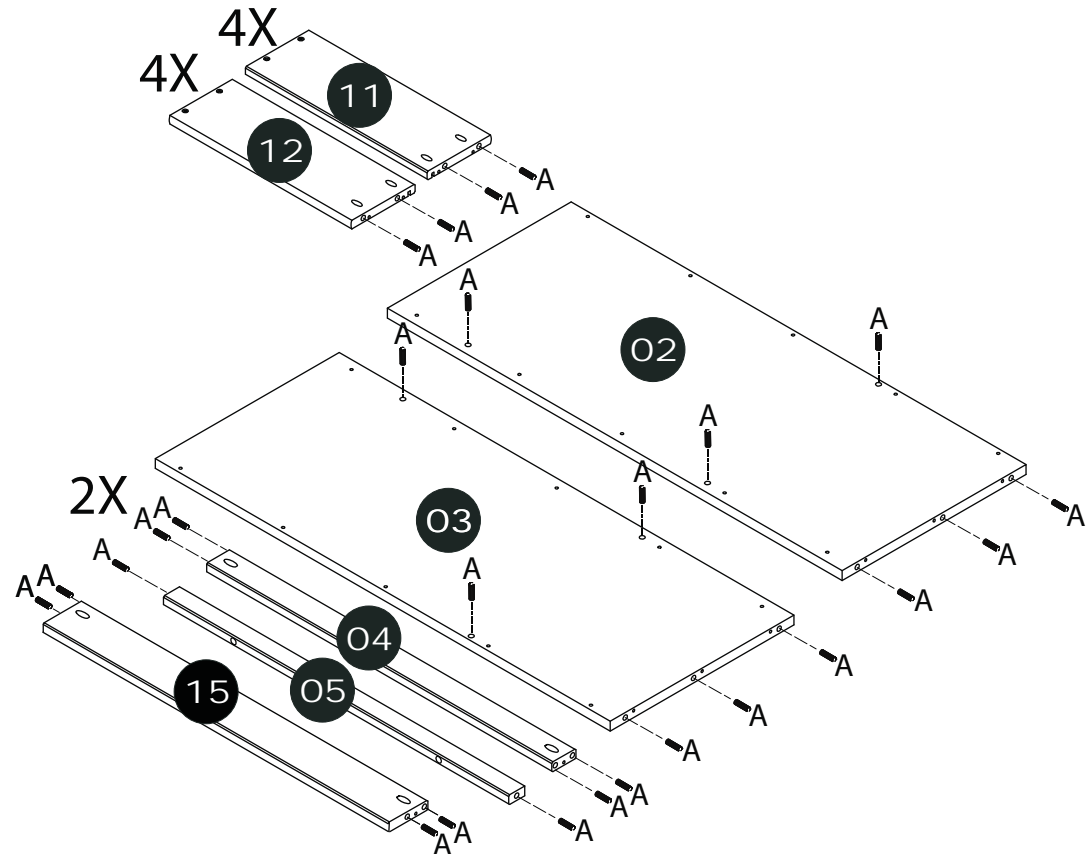
1	TOP
2	RIGHT SIDE
3	LEFT SIDE
4	CENTER & BOTTOM CROSSBARS
5	TOP CROSSBAR
6	REAR LEGS
7	RIGHT FRONT LEG
8	LEFT FRONT LEG
9	BACK PANEL
10	DRAWER BOTTOM
11	RIGHT DRAWER SIDE
12	LEFT DRAWER SIDE
13	DRAWER BACK
14	DRAWER FRONT
15	BOTTOM REAR CROSSBAR



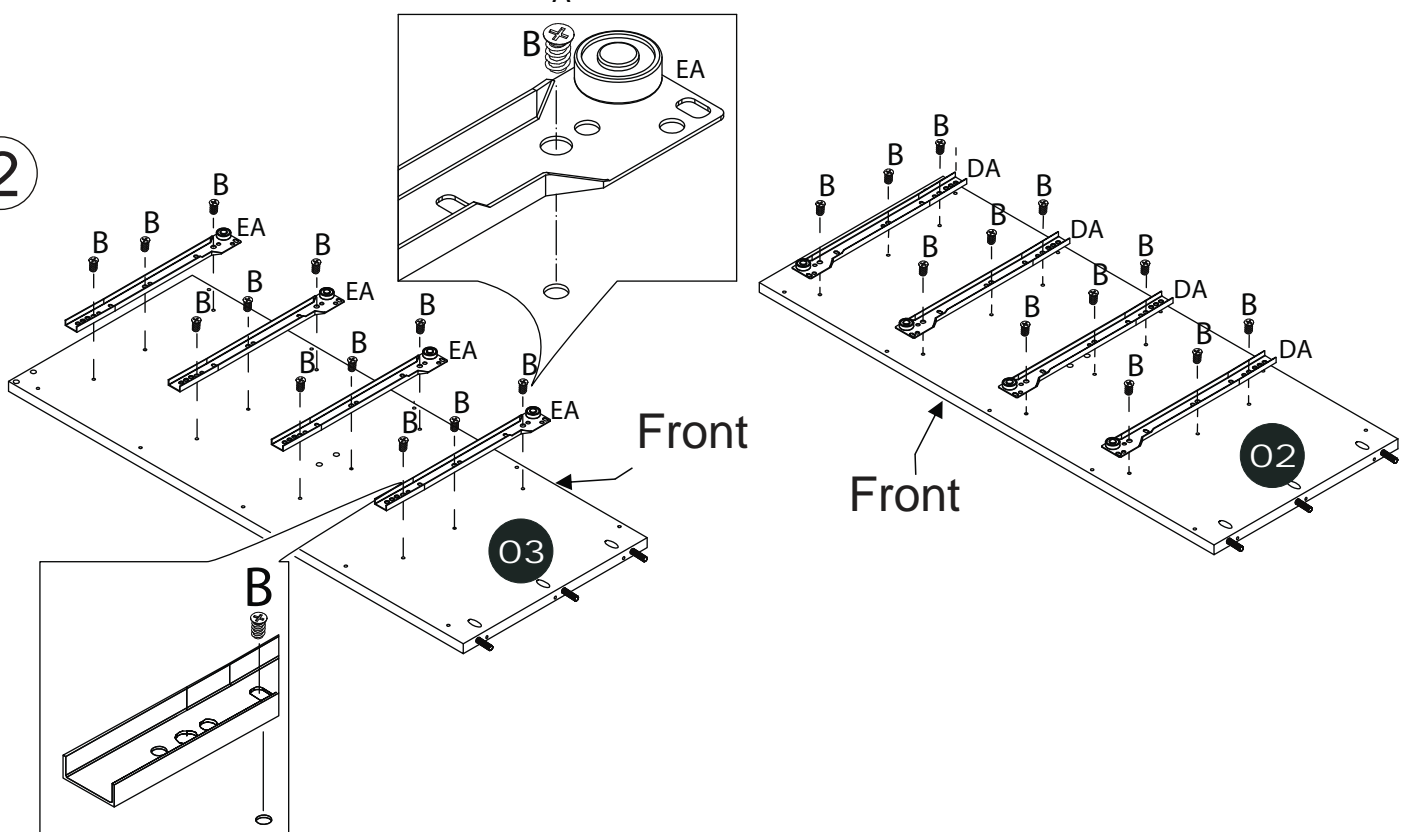
4X

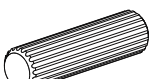

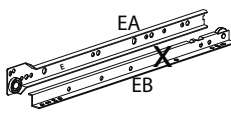
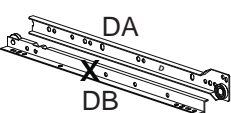
<p>A x 42 Dowel</p>  <p>8,0 x 30mm</p>	<p>B x 24 Screw</p>  <p>6,0 x 10mm</p>	<p>C x 67 Screw</p>  <p>3,5 x 30mm</p>	<p>D x 04 Right Set</p>  <p>Drawer Runner</p>	<p>E x 04 Left Set</p>  <p>Drawer Runner</p>
<p>F x 18</p>  <p>Back Panel Nail</p>	<p>G x 08 Screw</p>  <p>M4 x 25mm</p>	<p>H x 08</p>  <p>Knob</p>	<p>I x 25</p>  <p>Screw</p> <p>3,0 x 16mm</p>	<p>J x 01</p>  <p>Wall Anchor</p>
<p>L x 02</p>  <p>Anti-tip Bracket</p>	<p>M x 01</p>  <p>Anti-tip Strap</p>			

1



2



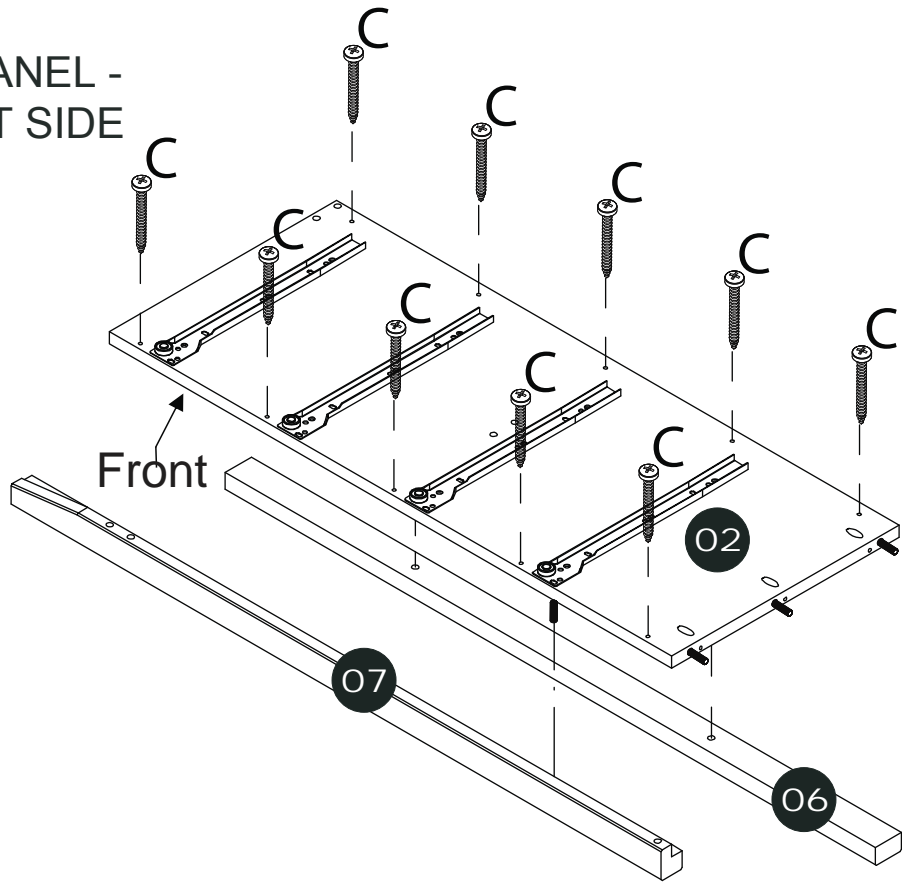
<p>A x 42</p>  <p>8,0 x 30mm</p>	<p>B x 24</p>  <p>6,0 x 10mm</p>	<p>E x 04 - Left Set</p> 	<p>D x 04 Right Set</p> 
---	---	--	--



“EB” and “DB” will be added later when assembling the drawers

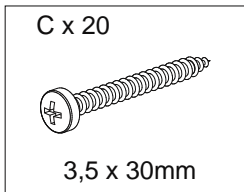
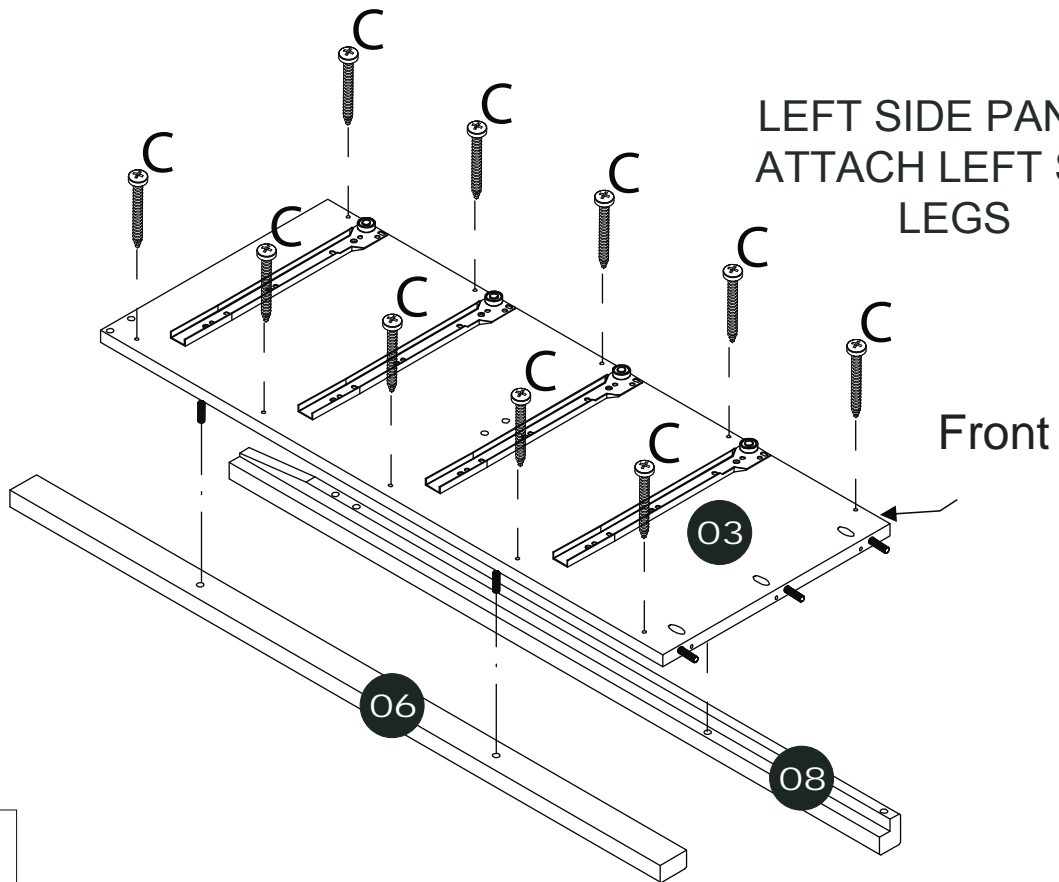
3

RIGHT SIDE PANEL -  
ATTACH RIGHT SIDE  
LEGS




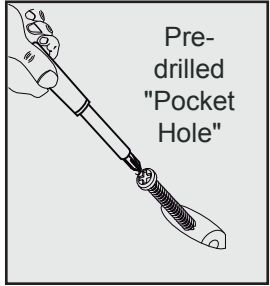
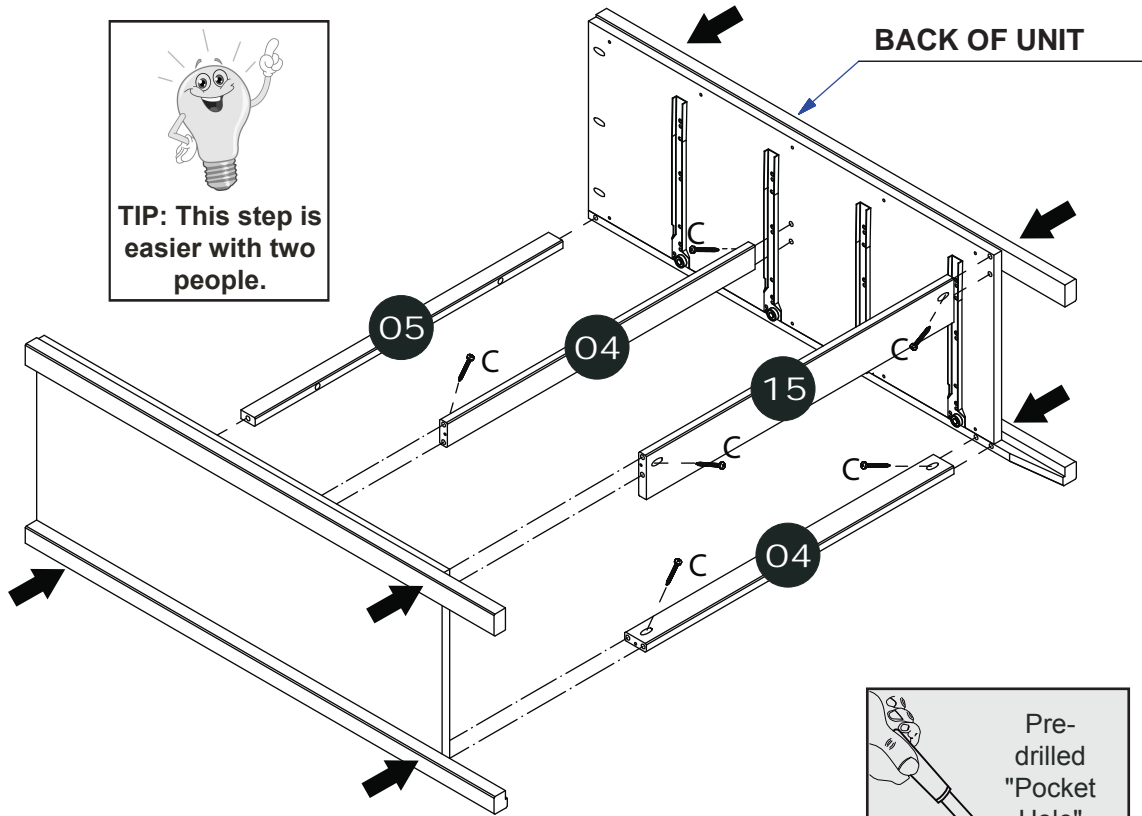
4

LEFT SIDE PANEL -  
ATTACH LEFT SIDE  
LEGS

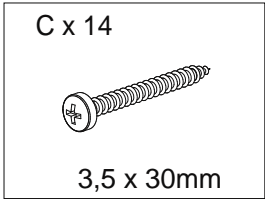
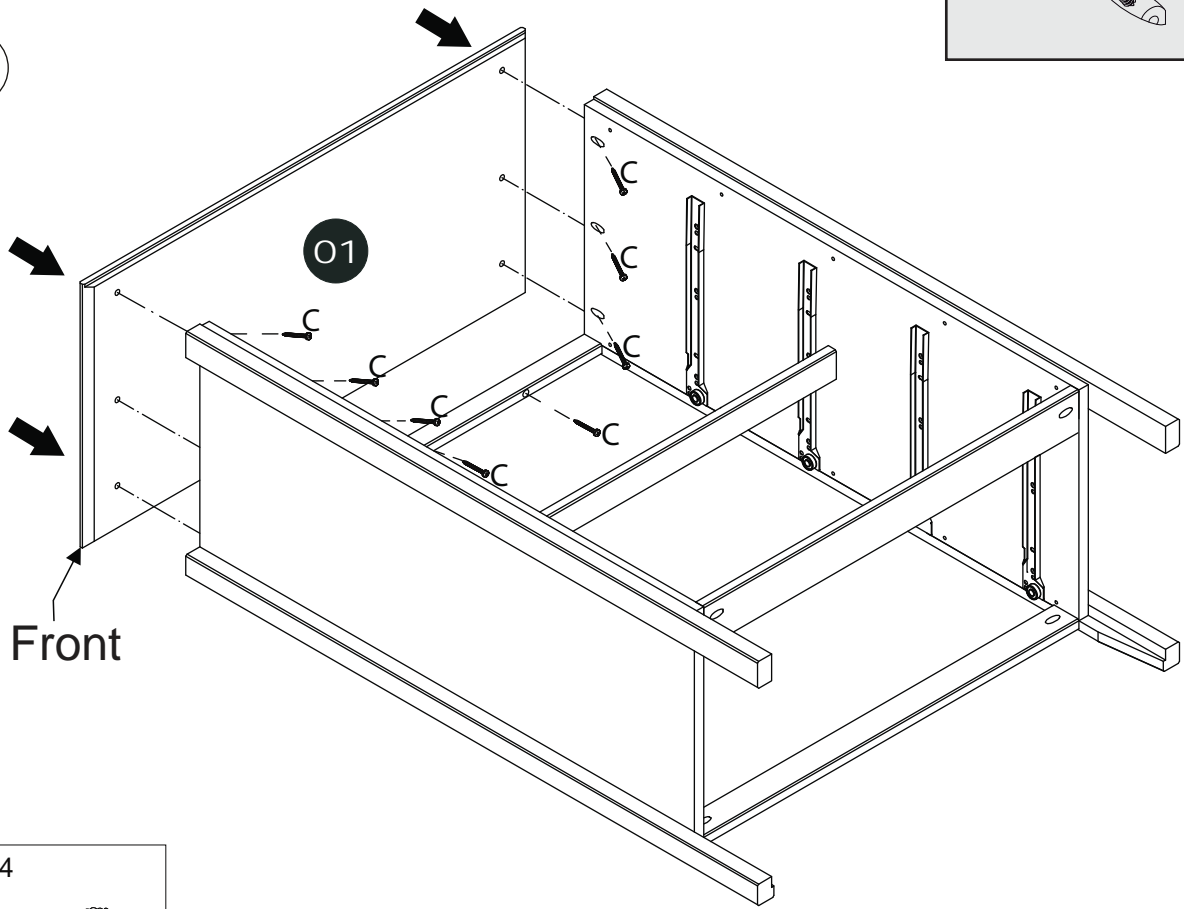


5

  
**TIP: This step is easier with two people.**



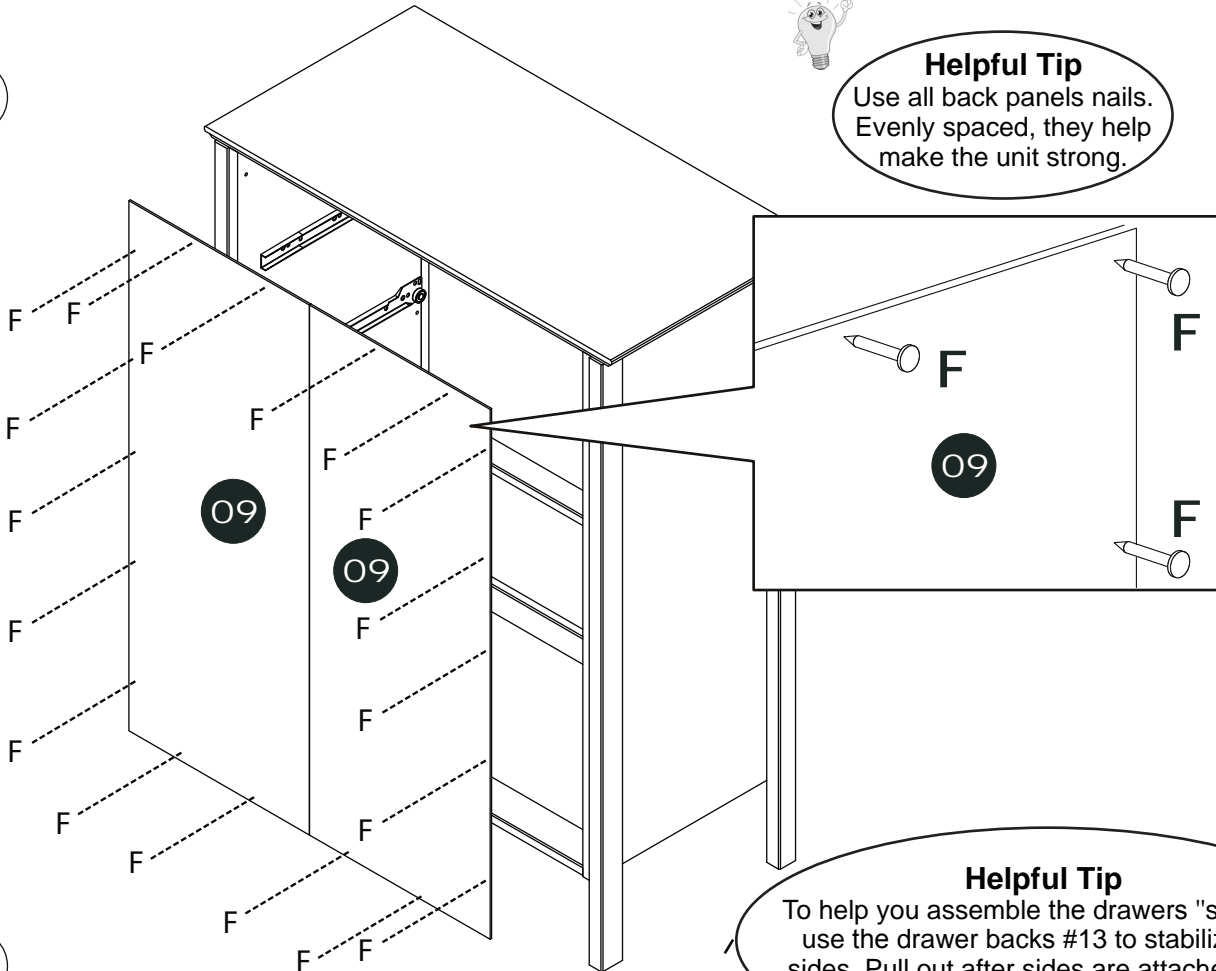
6



7



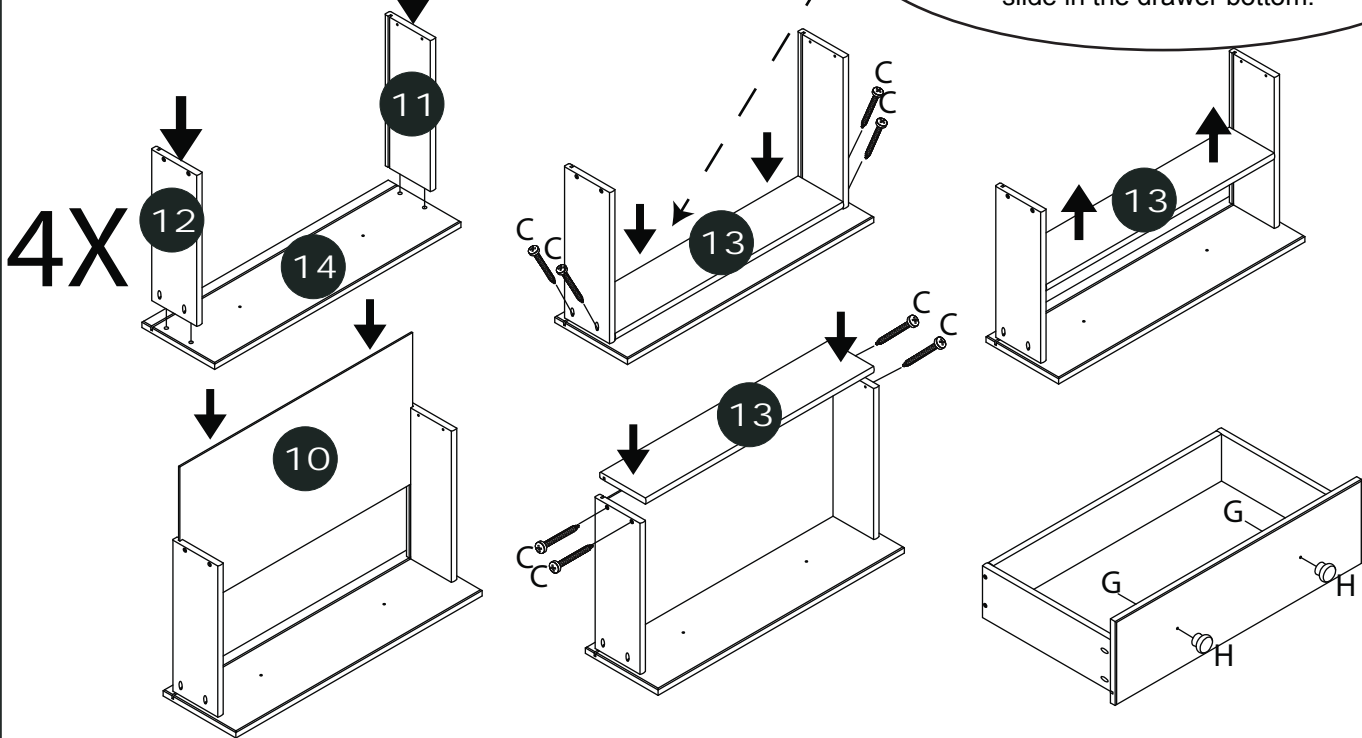
**Helpful Tip**  
Use all back panels nails.  
Evenly spaced, they help  
make the unit strong.


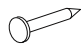




8



**Helpful Tip**  
To help you assemble the drawers "square",  
use the drawer backs #13 to stabilize the  
sides. Pull out after sides are attached,  
and slide in the drawer bottom.




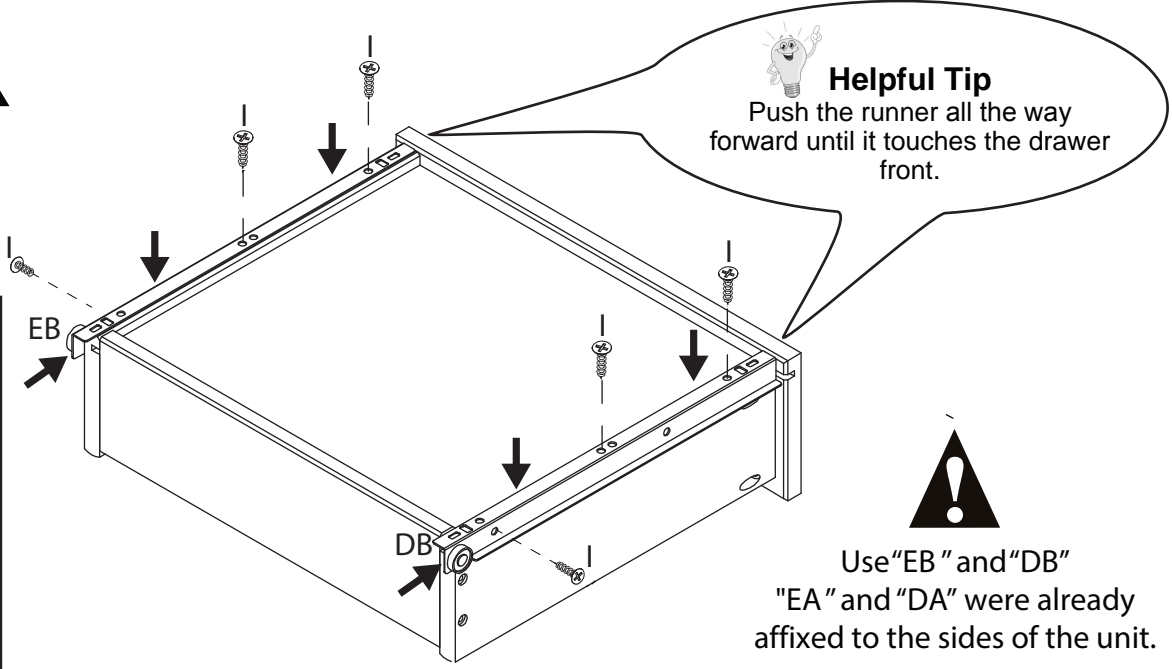
C x 32 3,5X30mm 	F x 18 	H x 08 	G x 08 M4 x 25mm 
---	---	---	--



9

# 4X

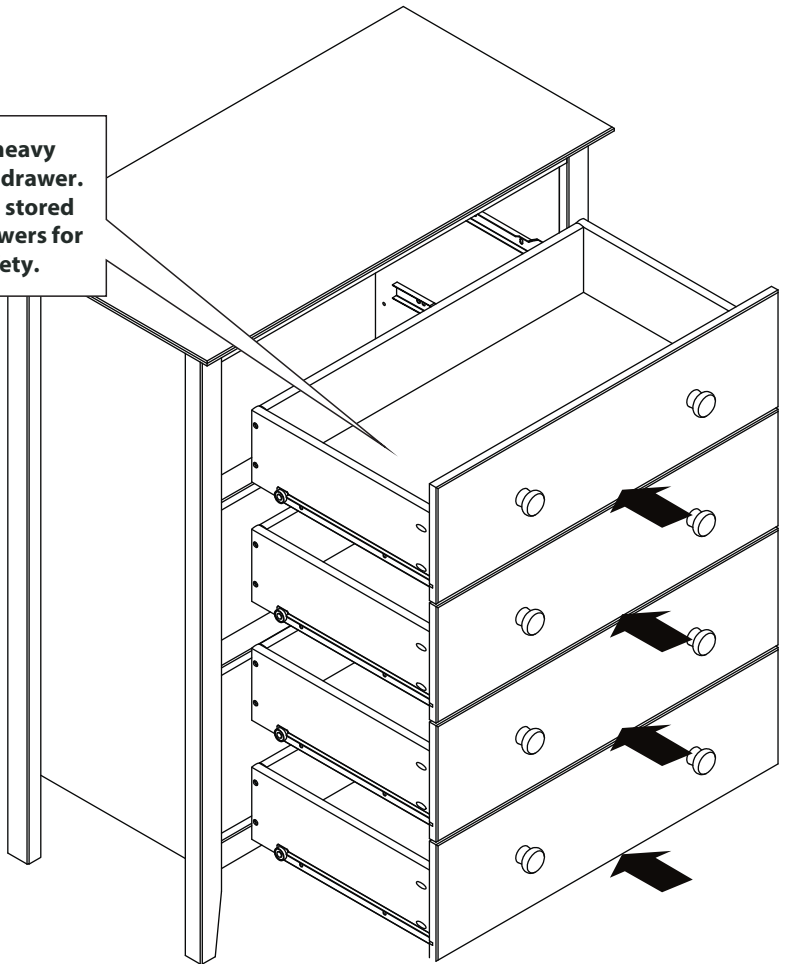
 **TIP:** To make this step easier, place the drawer upside down on a counter with the drawer front hanging off the edge. This will allow the drawer box to lay flat and provide better control for tightening the screws.

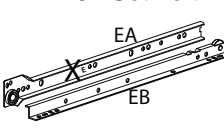
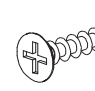
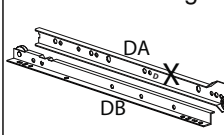


10

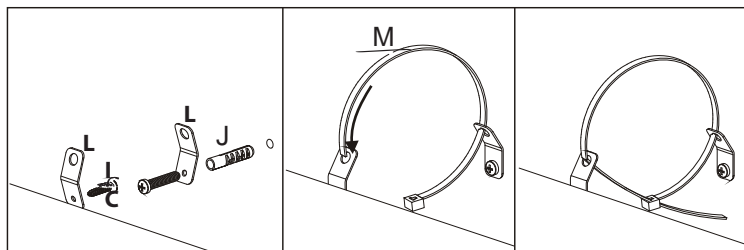
**Do not load heavy items in the top drawer. They should be stored in the lower drawers for extra tip safety.**

**Hold the front end of the drawer sides, tilt the back of the drawer upwards to get the wheels on the drawer past the wheels on the unit. Once, the wheels are clear, level out the drawer and slide it in.**

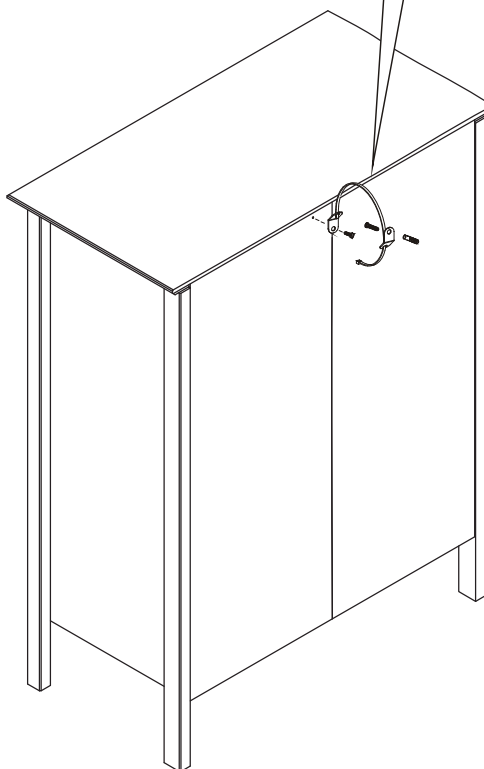


<p>E x 04 Set Left</p> 	<p>I x 24</p>  <p>3,0 x 16mm</p>	<p>D x 04 Set Right</p> 
---	---	---

11



- The wall plug supplied is for a masonry wall only.
- Make sure the plug you use is correct for your wall type.
- If you have any doubt, seek professional advice.





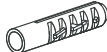


## WARNING

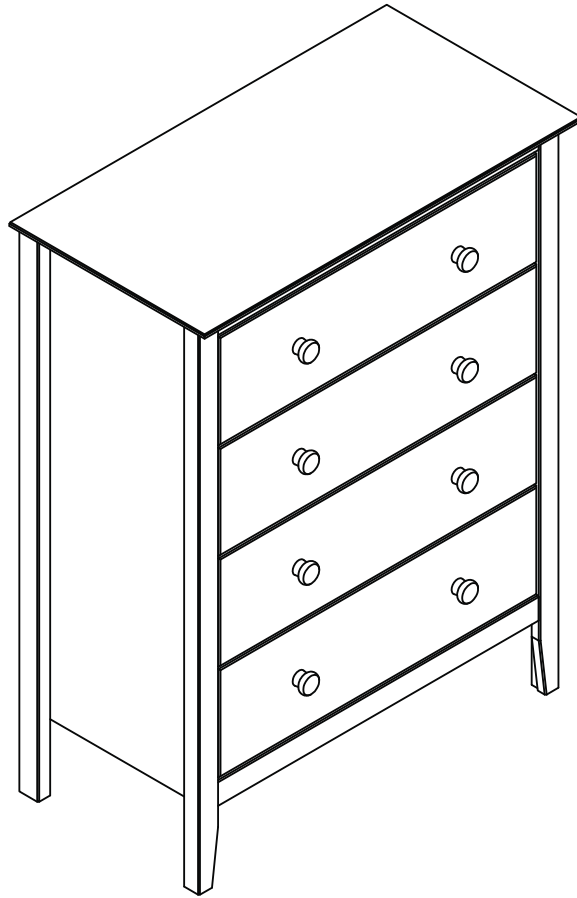
**SERIOUS OR FATAL CRUSHING INJURIES CAN OCCUR FROM FURNITURE TIP-OVER. TO AVOID TIP-OVER:**

- PLACE HEAVIEST ITEMS IN THE LOWEST DRAWERS.
- UNLESS SPECIFICALLY DESIGNED TO ACCOMODATE, DO NOT SET TV'S OR OTHER HEAVY OBJECTS ON TOP OF THIS PRODUCT.
- NEVER ALLOW CHILDREN TO CLIMB OR HANG ON DOORS, DRAWERS OR SHELVES.
- NEVER OPEN MORE THAN ONE DRAWER AT A TIME.
- KEEP REMOTE CONTROLS, TOYS AND OTHER ITEMS THAT MAY ATTRACT CHILDREN OFF OF THIS PRODUCT.

**USE OF TIP-OVER RESTRAINTS MAY ONLY REDUCE, BUT NOT ELIMINATE, THE RISK OF TIP-OVER.**

	I x 01  3,0 x 16mm
L x 02 	C x 01  3,5 x 30mm
M x 01 	J x 01 

**COMPLETED ASSEMBLY:  
THANK YOU FOR YOUR PURCHASE, AND WELCOME TO ADEPTUS!**



**USE AND CARE INSTRUCTIONS:**

**CARE INSTRUCTIONS:**

- ∞ NORMAL USE: WIPE WITH A CLEAN CLOTH.
- ∞ WHEN NEEDED TO CLEAN SCUFFS: WIPE CLEAN WITH A SLIGHTLY DAMP CLOTH AND A MILD CLEANER. THEN WIPE DRY WITH A CLEAN CLOTH.
- ∞ IF YOU OIL OR WAX THIS FURNITURE, IT WILL MORE QUICKLY DEVELOP A PATINA AND DARKEN.

**USE:**

- CHEST OF DRAWERS FOR HOME STORAGE OF CLOTHING AND ACCESSORIES.