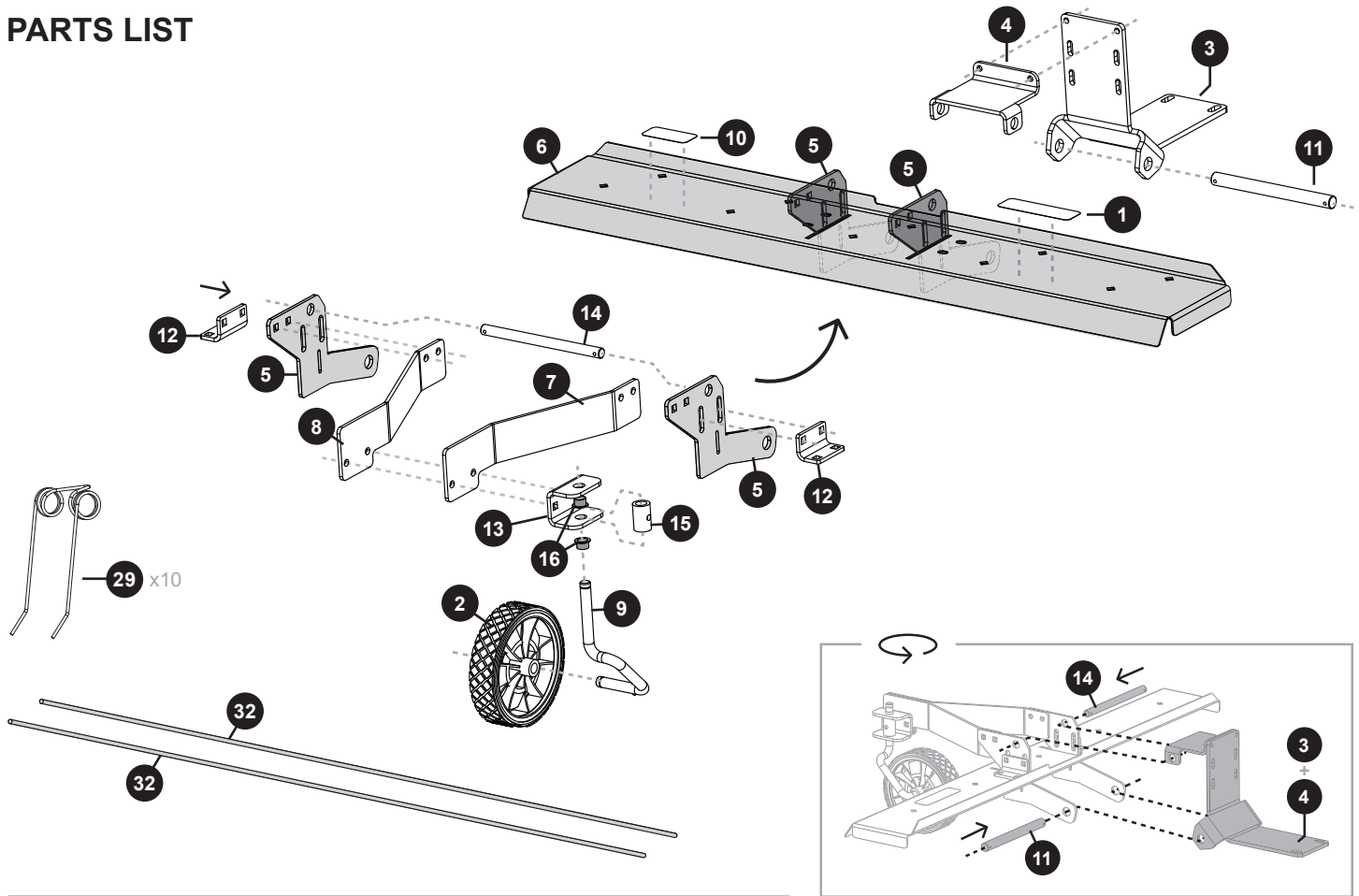


# PARTS LIST AND REFERENCE

## PARTS LIST

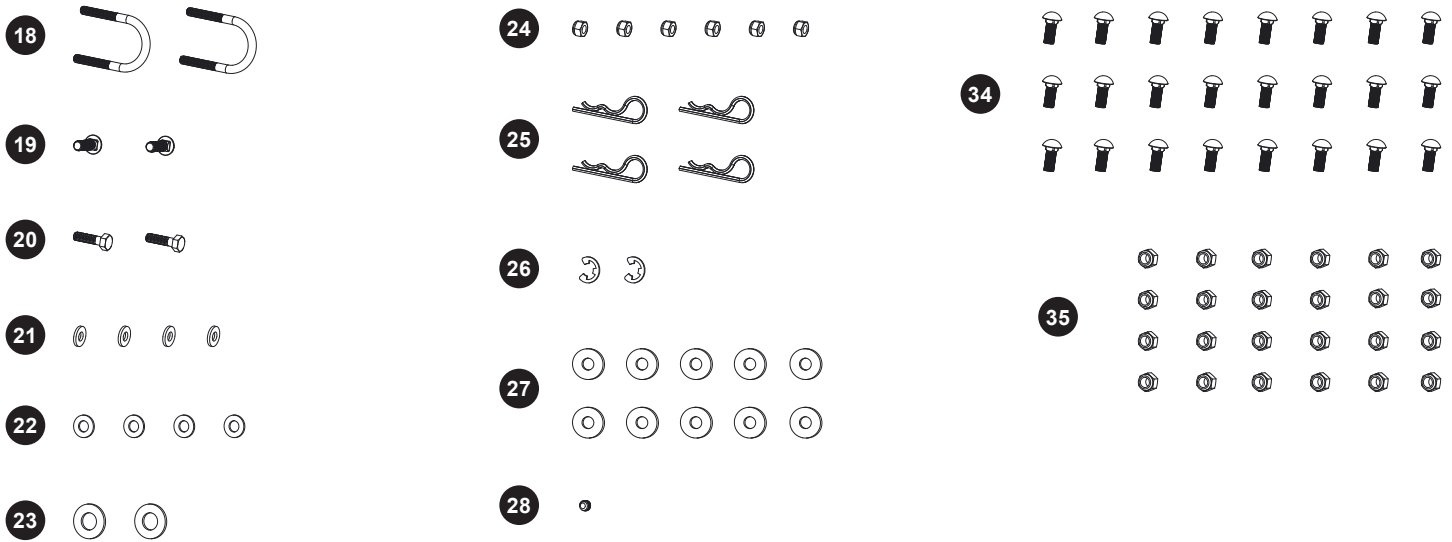


REF	PART NO.	DESCRIPTION	QTY	REF	PART NO.	DESCRIPTION	QTY
1	1008563	Brinly-Hardy Decal	1	13	1018091-10	Bracket, Support Painted	1
2	1008587	Wheel, 6 x 1.5 Gray	1	14	1018092-01	Rod, Transport Plated	1
3	1017835-10	Front Mount, Painted	1	15	1018135-01	Collar, Plated	1
4	1018083-10	Travel Bracket, Painted	1	16	R-704	Bearing, Nylon/Type5-8L5	2
5	1018084-10	Pivot Plate, Painted	2	17	1018344	Hardware Bag (Contents on page 5)	1
6	1018337	Dethatcher Tray, Painted	1	29	R-628	Tine	10
7	1018090LH-10	Left Wheel Bracket, Painted	1	32	R-1503	Wire, Safety 40"	2
8	1018090RH-10	Right Wheel Bracket, Painted	1				
9	1018136-01	Wheel Axle, Plated	1				
10	B-7063	Label, Caution Pictorial	1				
11	1017741-01	Rod, Hinge Plated	1				
12	1018085-10	Bracket, Support Painted	2				

\* Not shown

# PARTS LIST AND REFERENCE

## HARDWARE BAG (1018344)



REF	PART NO.	DESCRIPTION	QTY	REF	PART NO.	DESCRIPTION	QTY
18	1017742	U-bolt	2	28	V-336	Screw, Rd., 5/16-18X1/4	1
19	11M1016P	Carriage Bolt, 5/16 x 1	2	30	1018368	Manual, Front DT*	1
20	2M0816P	Hex Head Bolt, 1/4 x 1	2	33	1018345	Sub Hardware Bag*	1
21	45M0909P	Washer, SAE Flat, 1/4"	4	34	11M1012P	Bolt, Carriage 5/16 x 3/4	22
22	45M1111P	Washer, Flat 5/16"	4	35	B-4786	Nut, Nylon Lock 5/16-18	24
23	45M1717P	Washer, Flat 1/2"	2				
24	B-4785	Nut, Nylon Lock 1/4-20	6				
25	D-146P	Cotter, Hairpin 1/8", #211	4				
26	F-621	Snap E-Ring, 1/2"	2				
27	R-618	Washer, Special	10				

\* Not shown



### Tools Required for Assembly:

- (x2) 1/2" Socket & Wrench
- (x2) 7/16" Socket & Wrench
- 3/16" Allen Wrench
- 12 mm Wrench
- Pliers
- Gloves