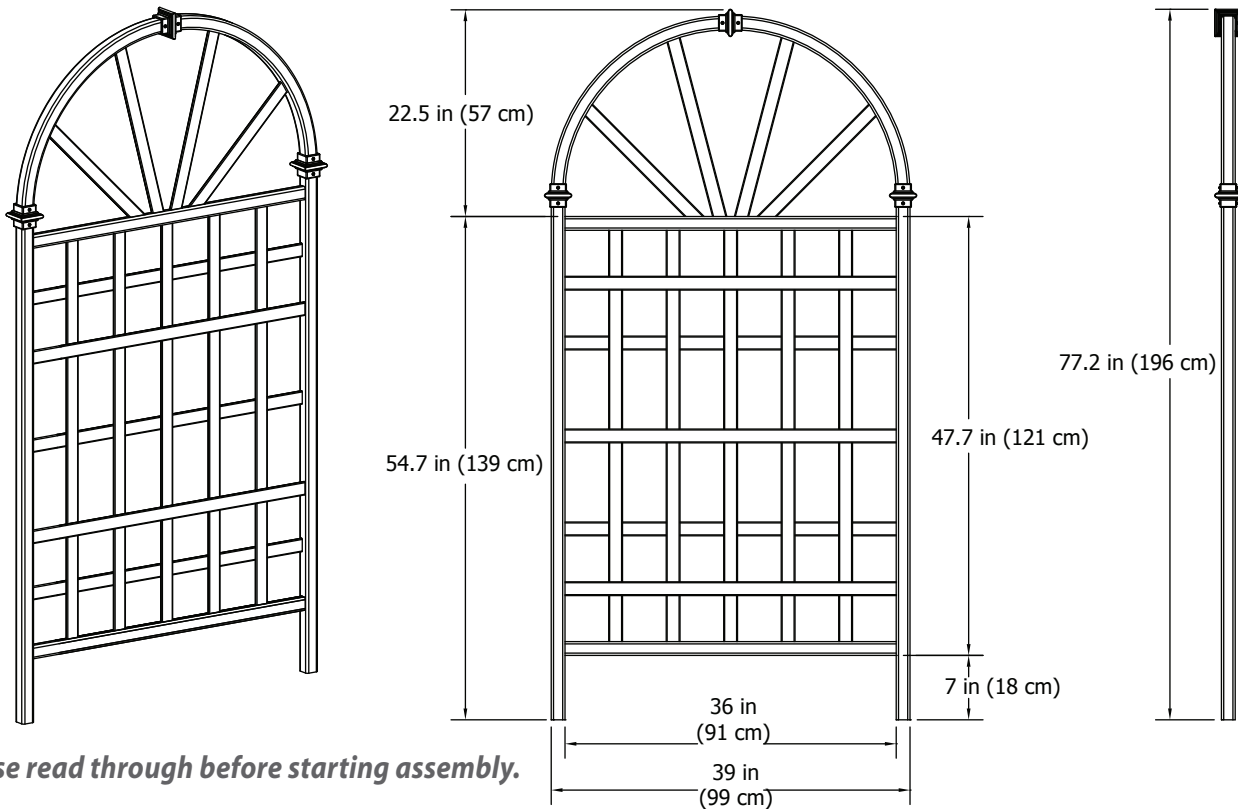


# ASSEMBLY INSTRUCTIONS

## The Athens / Savannah Trellis



Please read through before starting assembly.

**IMPORTANT: CHECK THE INSIDE OF YOUR POSTS FOR ALL MATERIALS.**

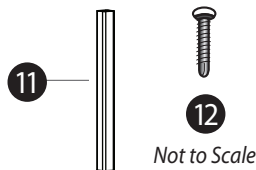
### Check Box for These Contents

In the event of missing or defective parts please call our customer service dept. at **1 800 282 9346** (Mon. to Fri. 8:00 AM to 5:00 PM EST).

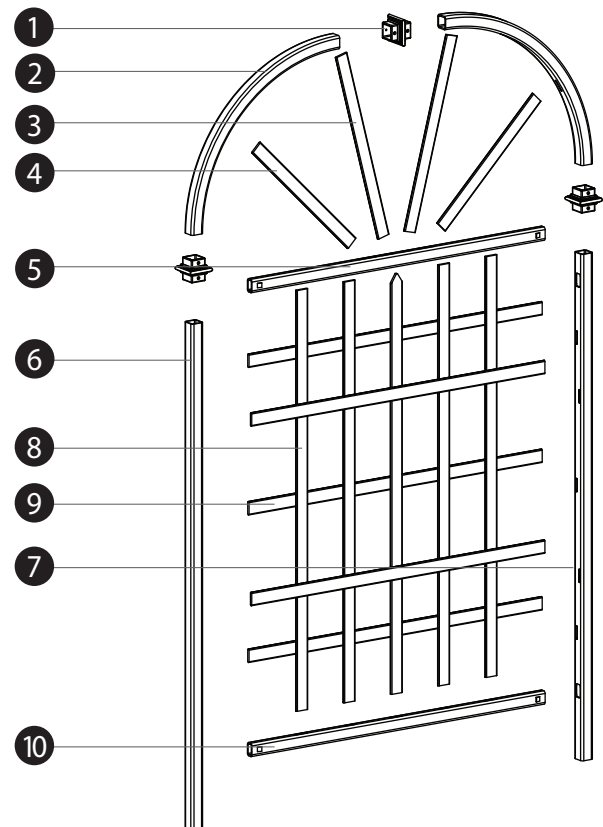
1. Post Caps (3) 1.5" (4 cm) Square - 10600 White / 14066 Composite
2. Arches (2) 1.5" (4 cm) Square - 10847 White / 14074 Composite
3. Top Long Spindles (2) Length 22.75" (58 cm) - 10848 White / 14075 Composite
4. Top Short Spindles (2) Length 18.125" (46 cm) - 10849 White / 14076 Composite
5. Top Rail (1) Length - 38.73" (98 cm) - 10850 White / 14077 Composite
6. Left Post (1) Length 57" (145 cm) - 10851 White / 14078 Composite
7. Right Post (1) Length 57" (145 cm) - 10852 White / 14091 Composite
8. Vertical Spindles (5) Length 47.36" (120 cm) - 10853 White / 14079 Composite
9. Horizontal Spindles (5) Length 38.73" (98 cm) - 10854 White / 14080 Composite
10. Bottom Rail (1) Length 38.73" (98 cm) - 10850 White / 14081 Composite
11. Ground Mounting Extensions (2) Length 19" (48 cm) - 10856 White / 14073 Composite
12. 5/8" (16 mm) Self-Auguring Stainless Steel Screw (24) - 20016 White / 20030 Composite

### Tools You Will Need

- Cordless Drill
- Hammer
- Tape Measure
- Level
- Shovel



Not to Scale



### General Information

- Read Instructions through carefully before beginning assembly.
- When assembling components, place on a non-abrasive surface (i.e. shipping box) to avoid scratching.
- We recommend an area approx 5'x 8' (1.5 m x 2.4 m) for unobstructed assembling.
- You should not need to use excessive force when assembling component.

## STEP ONE

**NOTE:** There are locking tabs located at the ends of the horizontal rails. Once inserted and pushed into the routed holes, they will lock into place.

**1**

Lay one of the posts on the ground and insert the bottom rail and the five horizontal spindles as shown aside. Note that the bottom and top rails are different - the bottom rail only has one side with routed holes.

**2**

Insert the five vertical spindles as shown aside. Make sure to weave the spindles as they are being inserted. Please note that there is one spindle with a 'spear head' and should be placed in the middle.

**3**

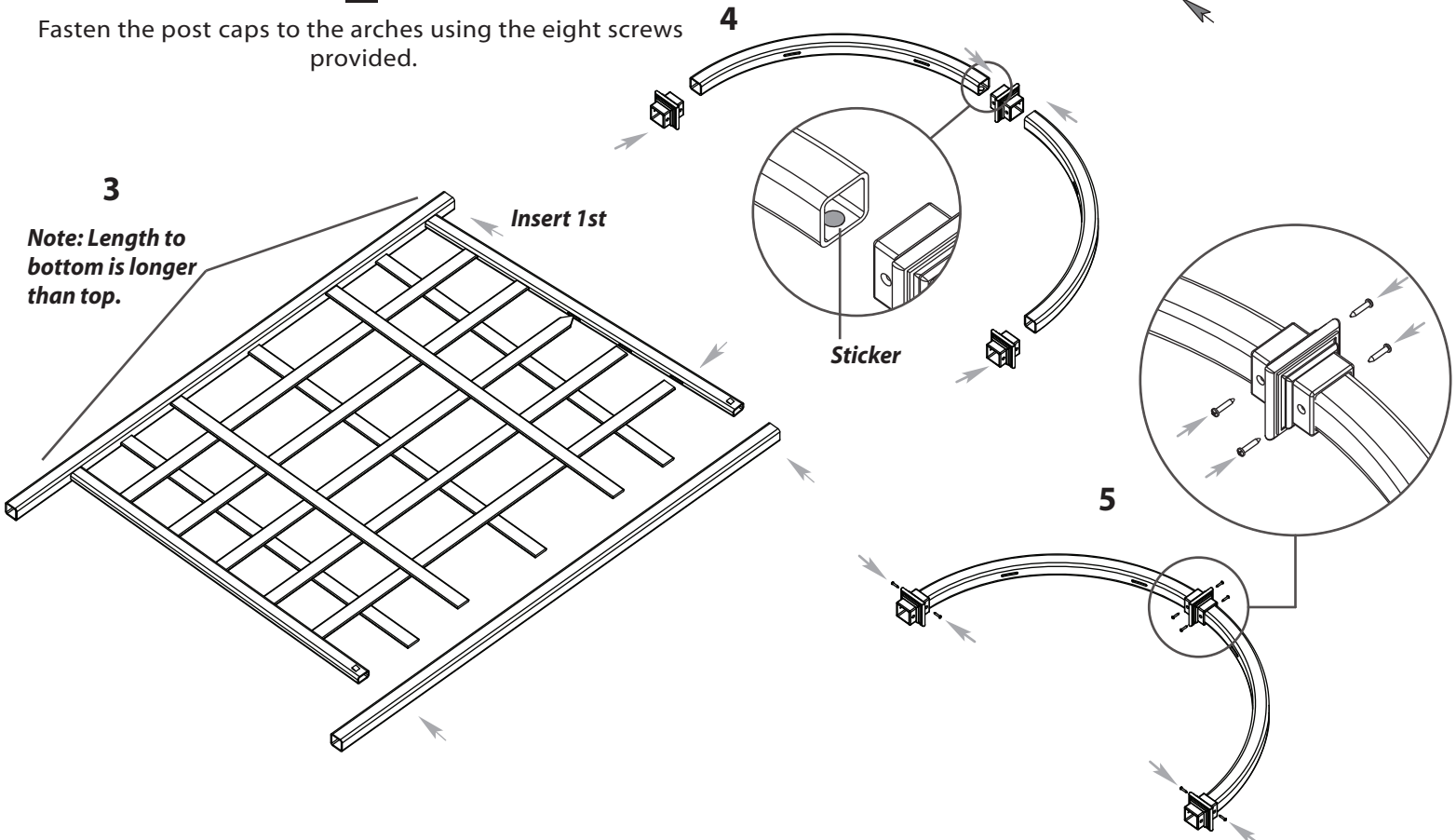
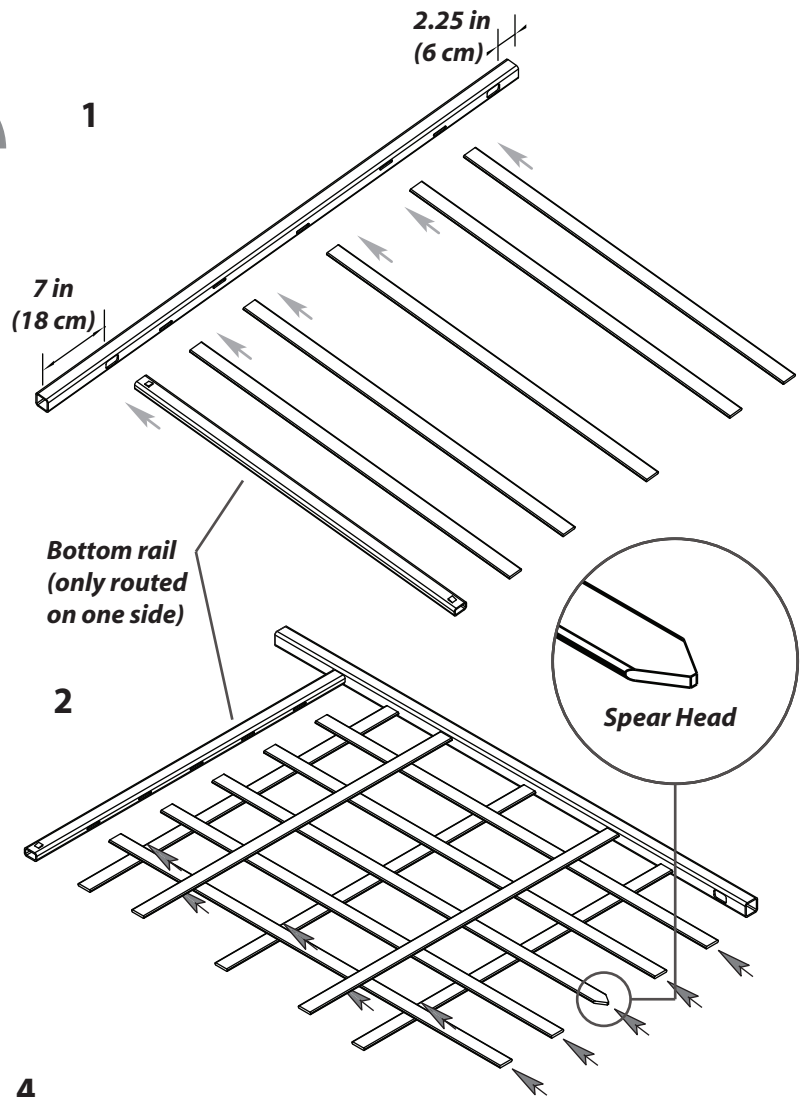
Continue assembly by inserting the top rail end into the post and progressively into each of the vertical spindles. proceed to attach the second post to the trellis assembly as shown below. Ensure tabs are inserted all the way into the post.

**4**

Insert the top arches into the post caps as shown. Note that there is a sticker on each of the arches indicating the top of the arch.

**5**

Fasten the post caps to the arches using the eight screws provided.



## STEP TWO

### Install the Top Arch

1

Insert the arch spindles to the openings on the top rail. Note that there are two different sizes of spindles and should be inserted as shown aside.

2

Align the four spindles into the bottom of the arch while simultaneously inserting the arch assembly to the posts. Excessive force should not be necessary.

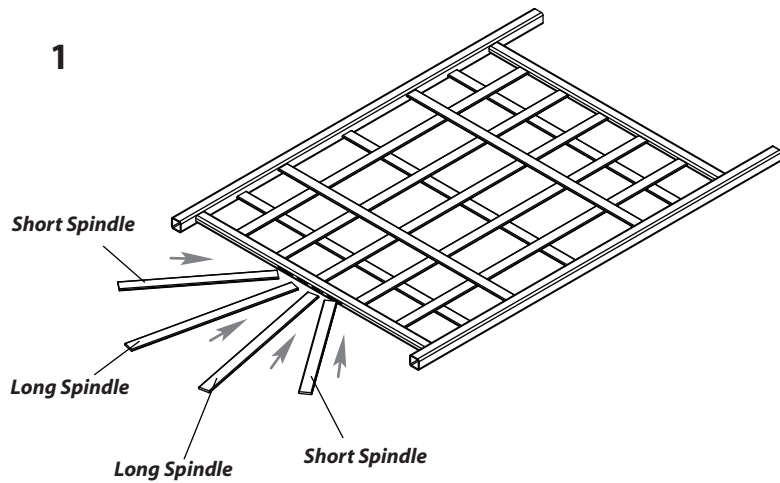
3

Fasten the arch assembly to the posts using the screws provided in the hardware kit.

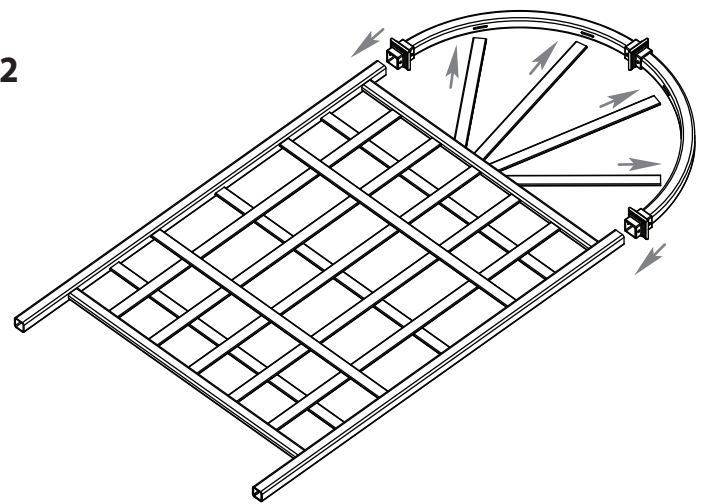
4

Finish the trellis assembly by fastening the posts to the top and bottom rails as shown.

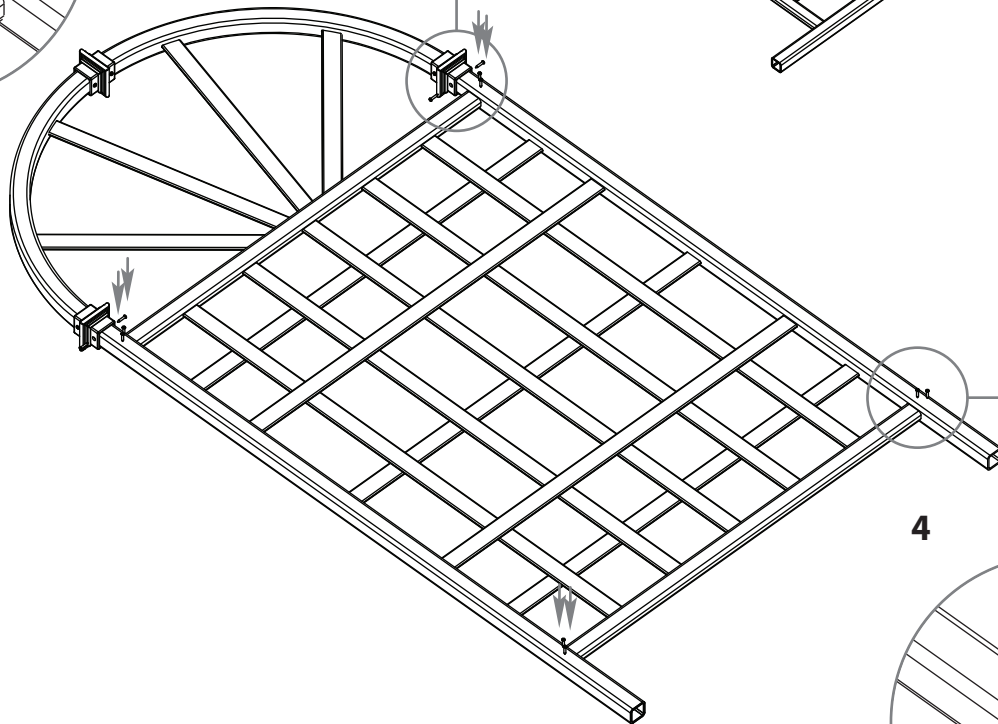
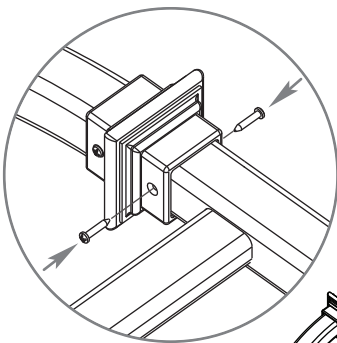
1



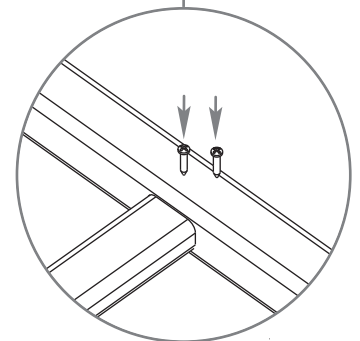
2



3



4



## Mounting Into the Ground

Trellises must be well secured in the event of high winds, etc. We have provided two ground mounting extensions for securing the trellis either into the ground or into a concrete footing. If you are installing your trellis directly to the wall of your home, or on a wood deck or concrete surface, please see your hardware store for the appropriate galvanized bracket hardware.

### STEP THREE

#### Install the Ground Mounting Extensions

Insert the ground mounting extensions into the bottom of the trellis posts. Secure with screws as shown aside.

### STEP FOUR

#### Install Trellis into Ground

**A**

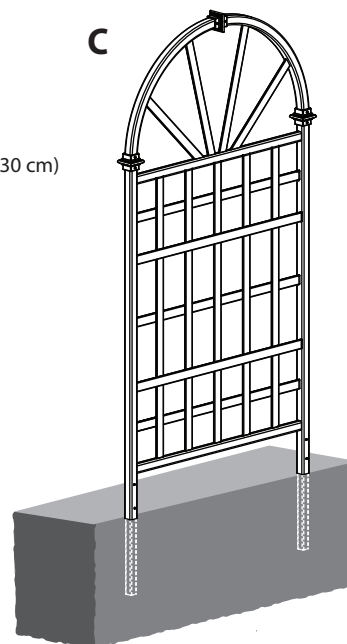
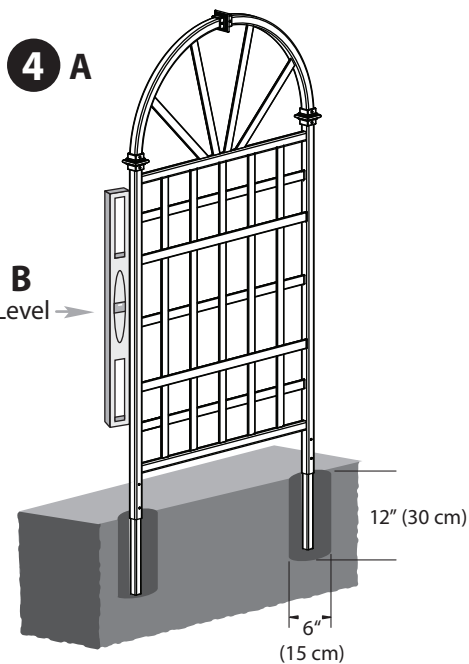
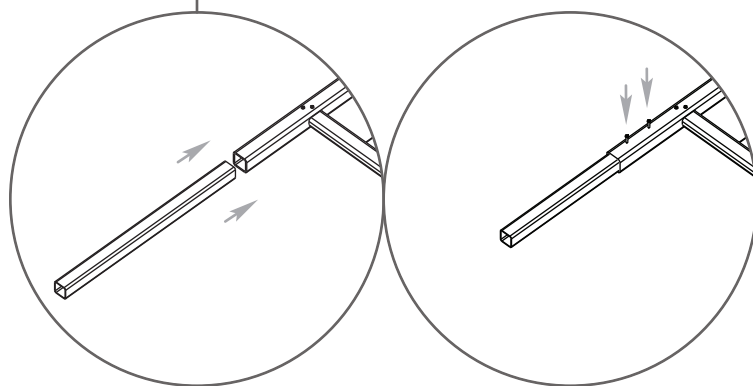
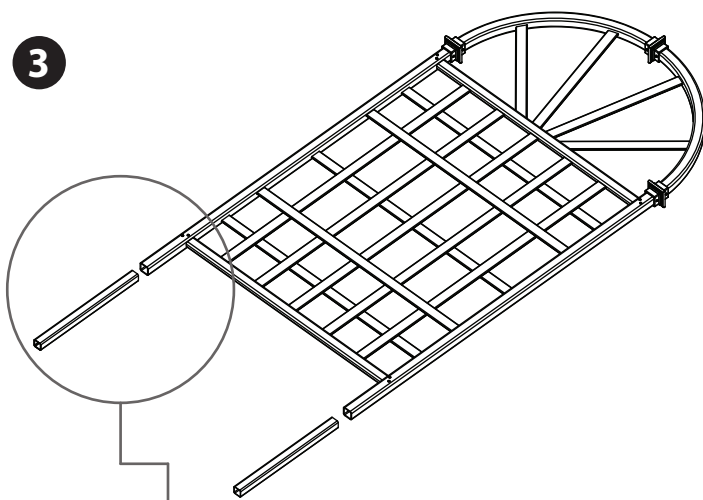
Move the trellis to its final location. When you are satisfied with the location, mark the positions of the posts, then move the trellis aside and lay it carefully on it's side. Excavate the 2 post holes approximately 12" (30 cm) deep x 6" (15 cm) diameter. Carefully move the trellis back into position.

**B**

Level it both vertically and horizontally into the excavated holes.

**C**

Backfill the holes with the excavated soil.



**vita**