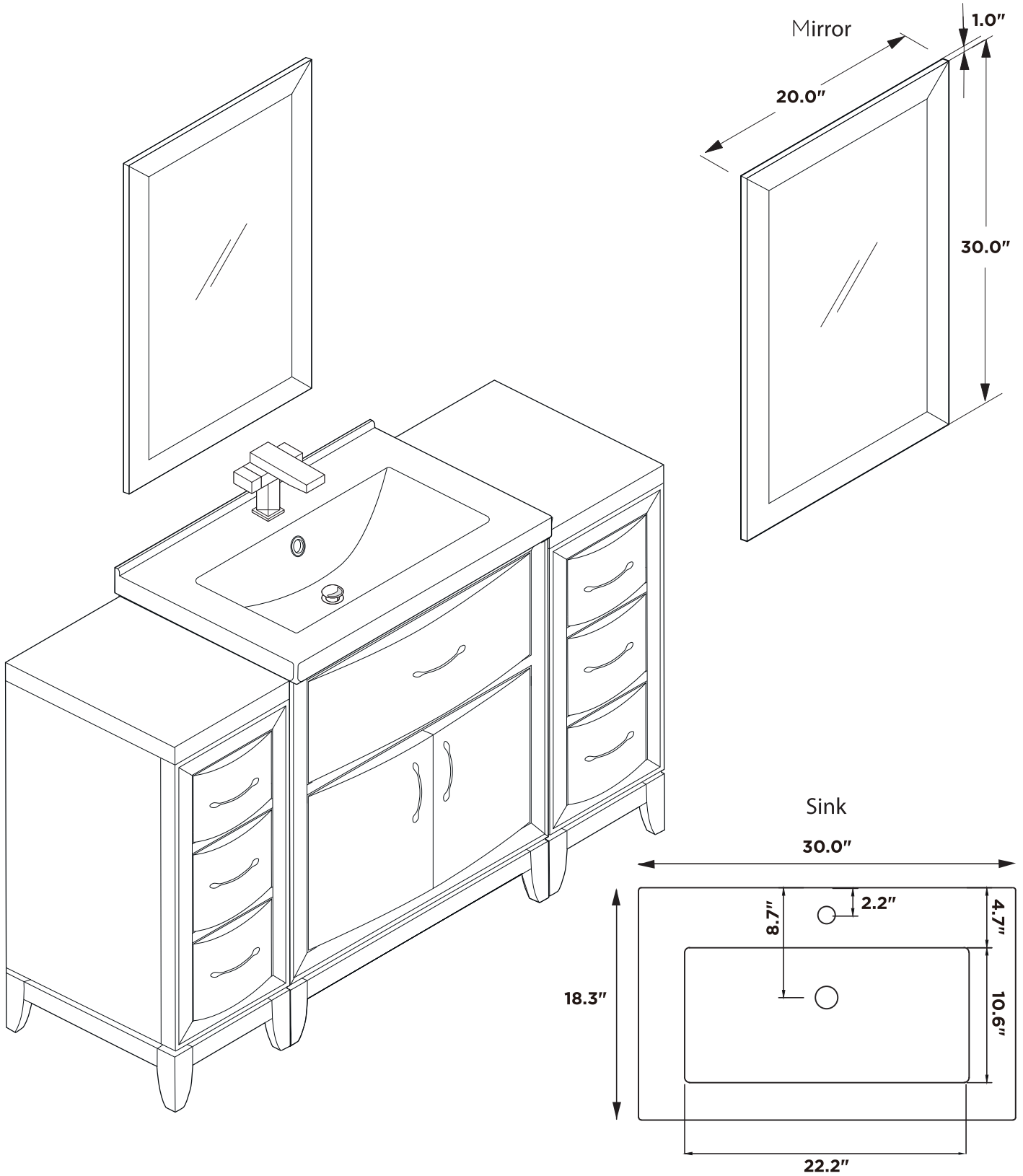




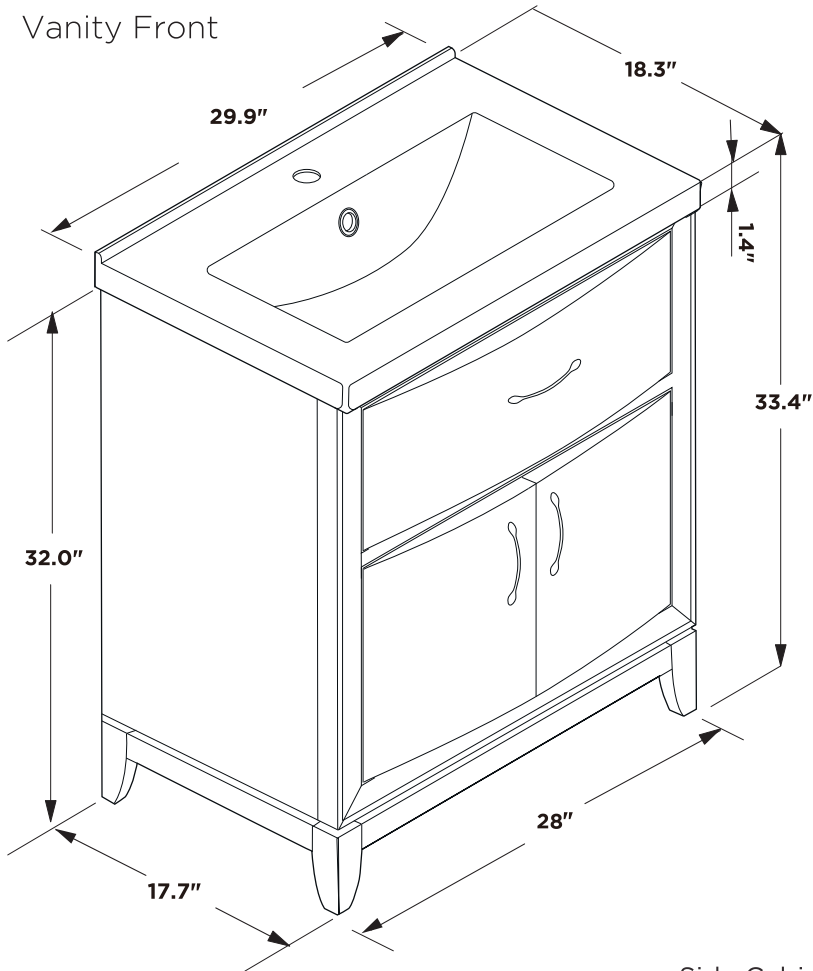
# FVN21-123012 CAMBRIDGE INSTALLATION GUIDE



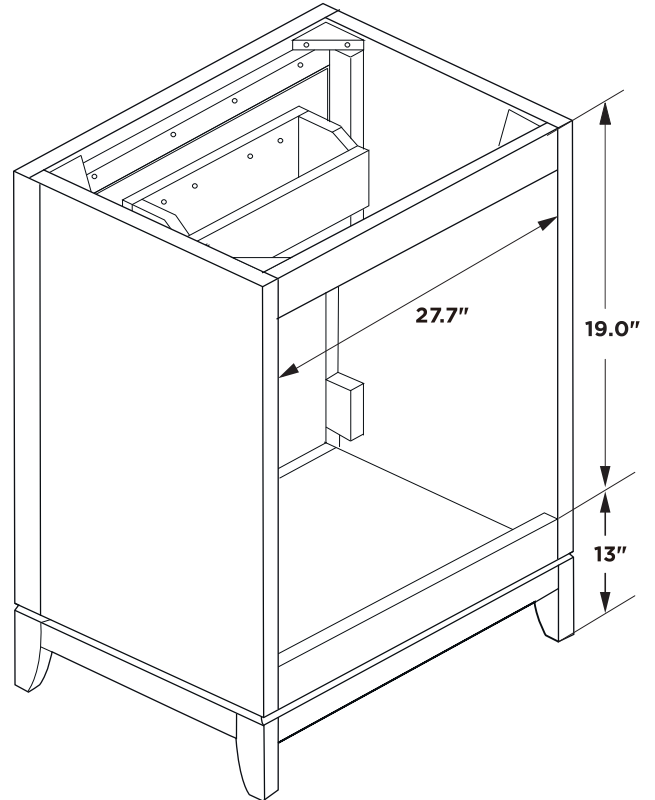
Note: All dimensions and specifications are approximate and subject to change without notice.



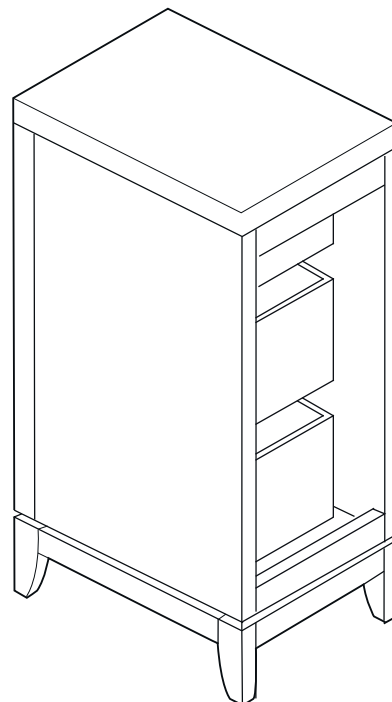
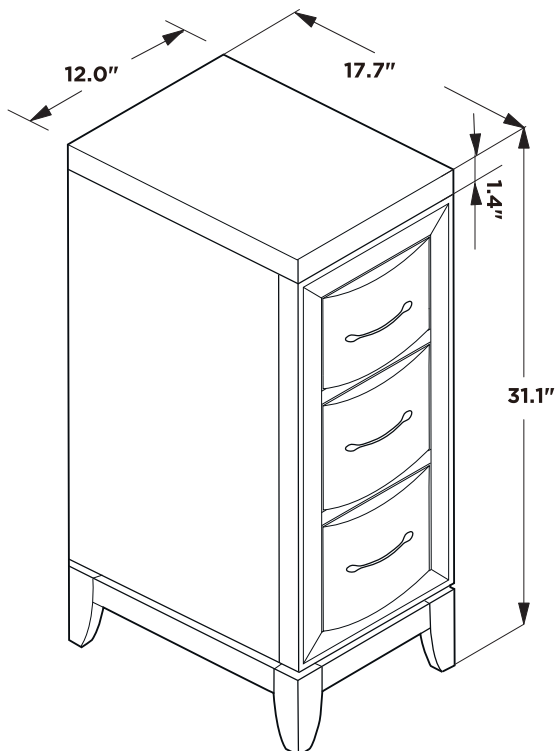
Vanity Front



Vanity Back



Side Cabinet Back

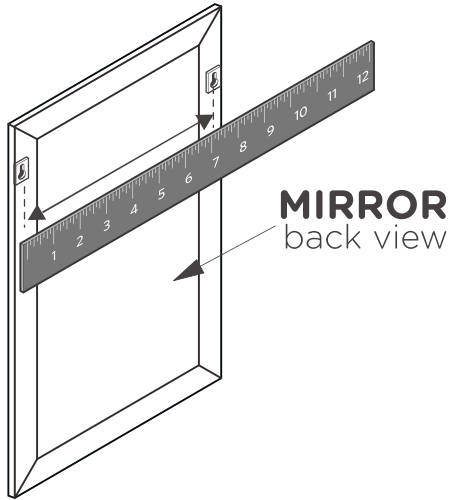


# MIRROR INSTALLATION INSTRUCTION

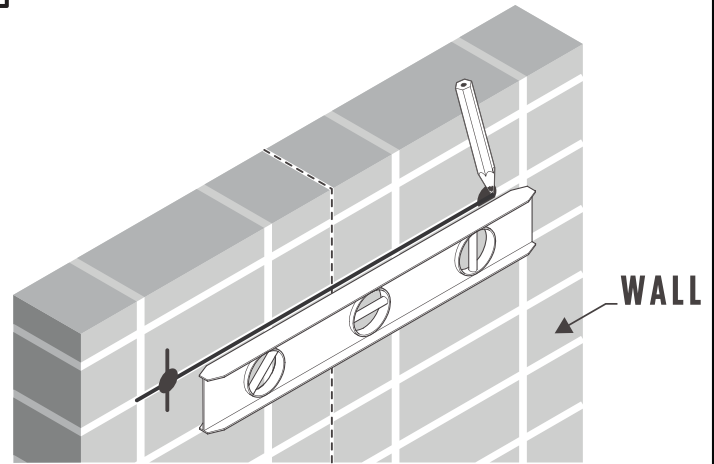
## TOOLS FOR ASSEMBLY



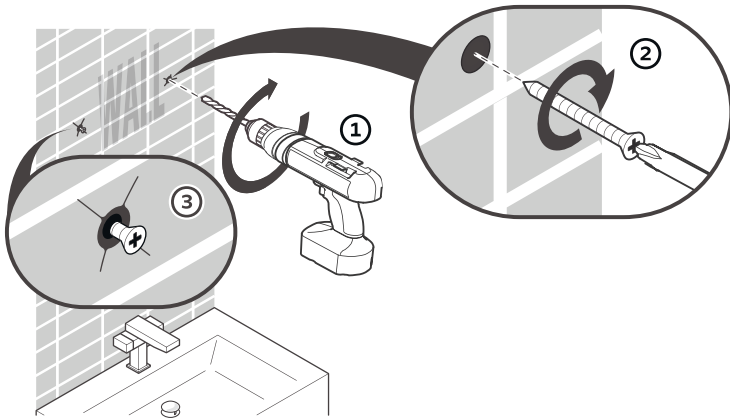
- 1 Measure the distance between the brackets on the back of the mirror



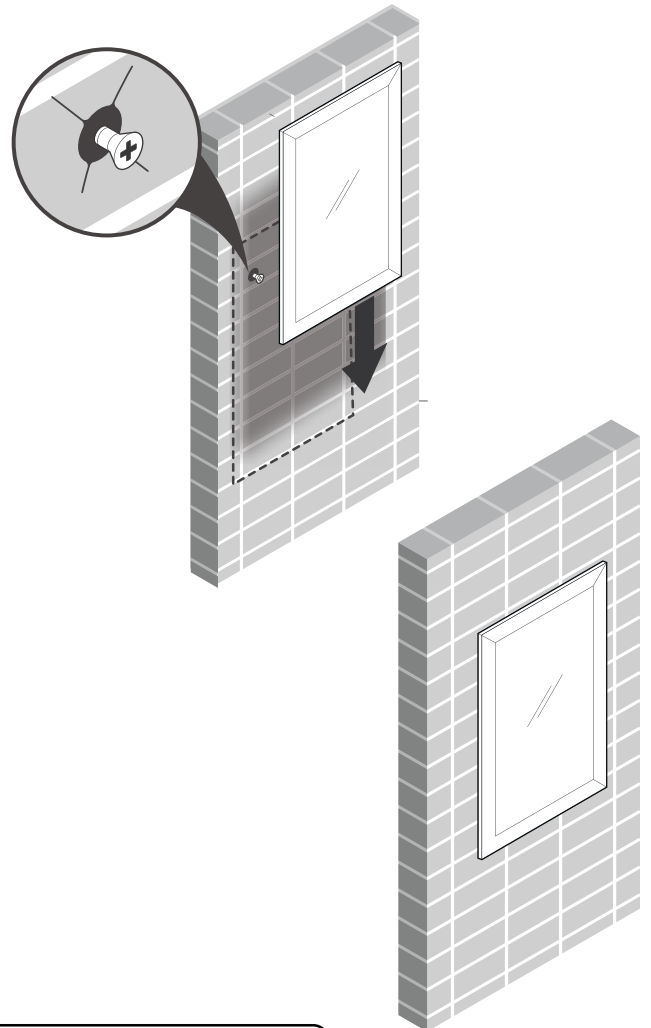
- 2 Mark the measured distance on the wall using a level



- 3 Once position is marked, drill 2 holes and insert anchors if stud is not available



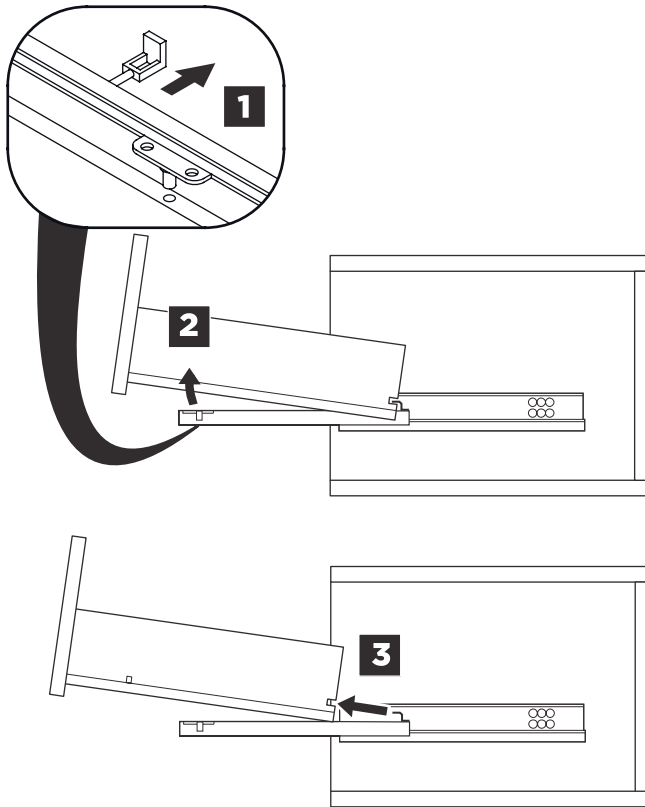
- 4 Hang mirror on the wall



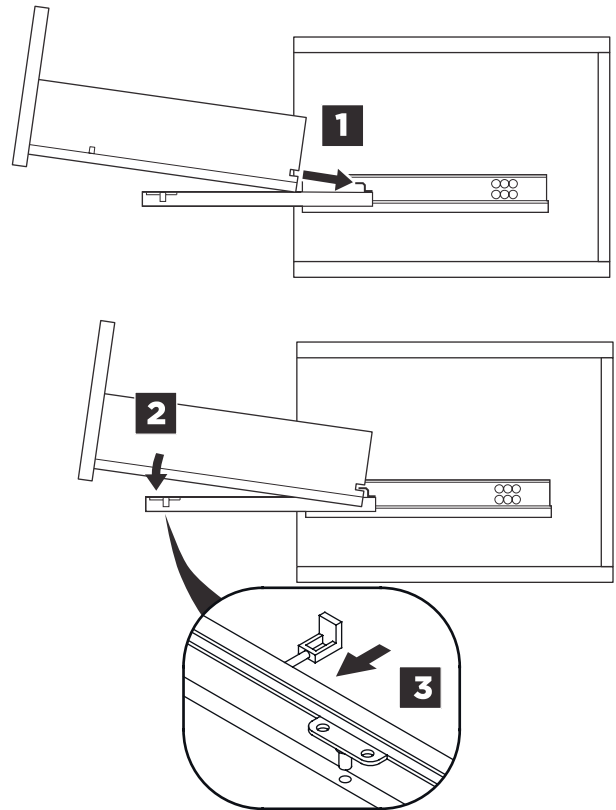
### IMPORTANT:

CONSULT AN EXPERT FOR THE PROPER SCREWS/BOLTS TO USE WHEN ATTACHING TO VARIOUS WALL CONSTRUCTIONS. SCREWS PROVIDED **DO NOT ATTACH** TO ALL WALL CONSTRUCTION TYPES.

## DRAWER REMOVAL

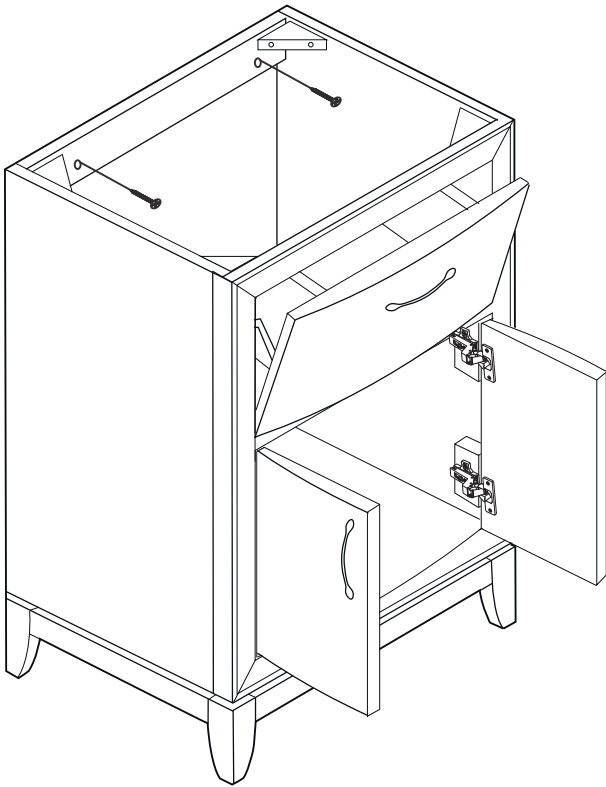


## DRAWER INSTALLATION

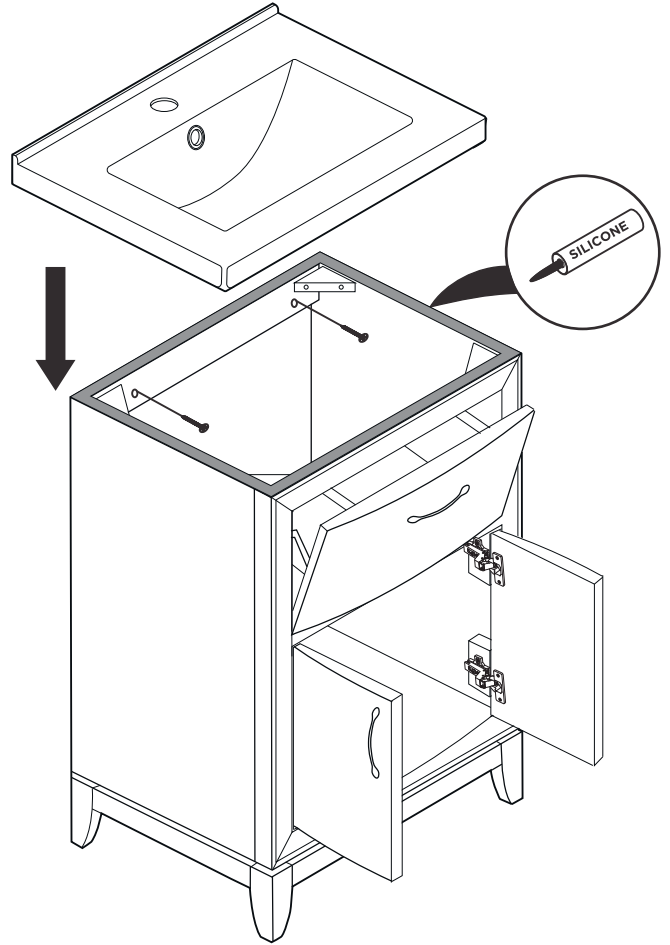


# INSTALLATION INSTRUCTIONS

**1** Secure cabinet to the wall

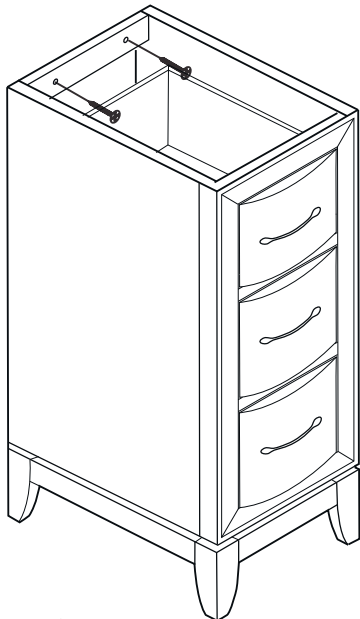


**2** Apply a bead of silicone on the top of the cabinet and place the sink on top



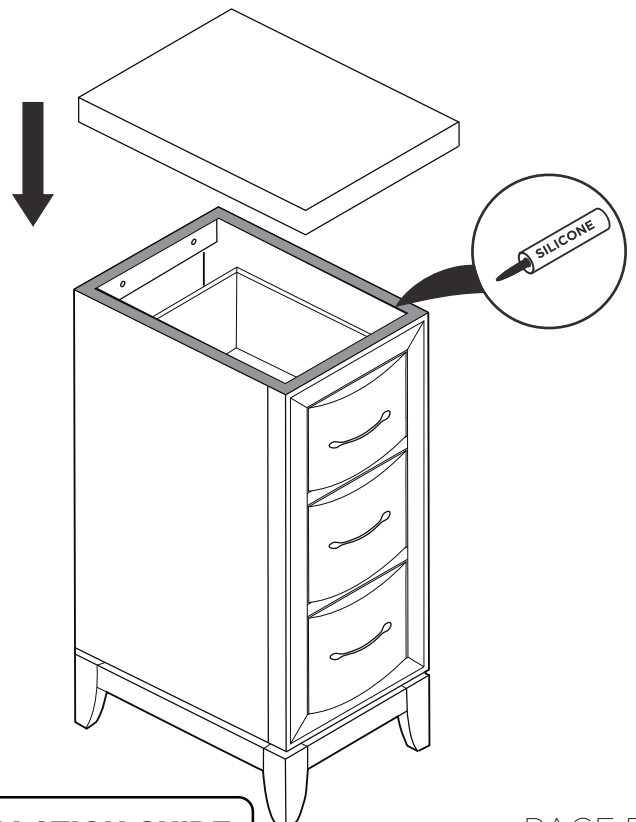
**3** Remove side cabinet drawer

**4** Secure cabinet to the wall



**IMPORTANT:**  
Consult an expert for the proper screws/bolts to use when attaching to various wall constructions. Screws provided do not attach to all wall construction types.

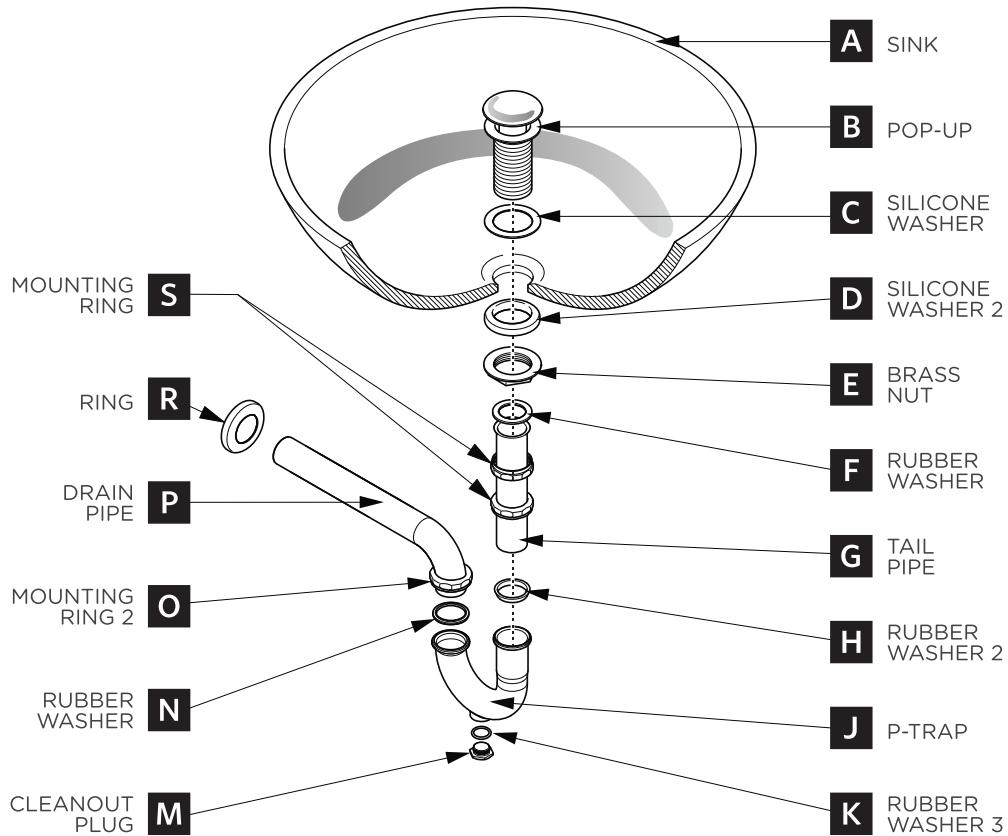
**5** Apply a bead of silicone on top of the cabinet and place the counter-top on top



# P-TRAP & POP-UP

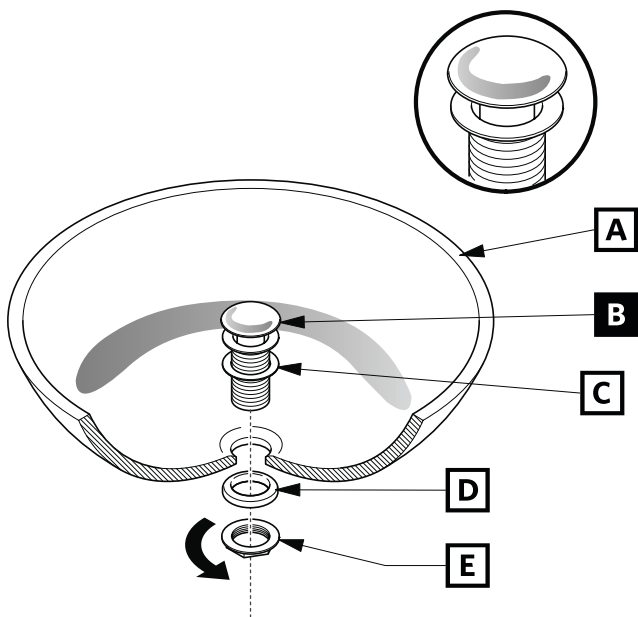
## INSTALLATION INSTRUCTIONS

Your item may appear slightly different from the illustration.



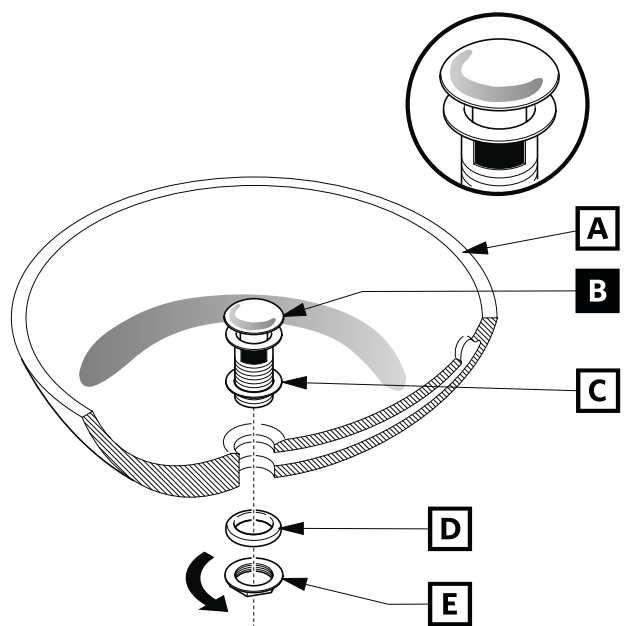
### POP-UP INSTALLATION

#### FOR SINKS WITHOUT OVERFLOW



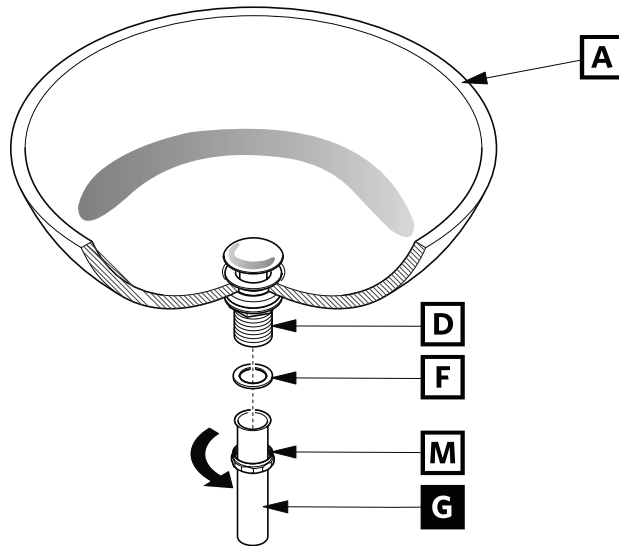
OR

#### FOR SINKS WITH OVERFLOW



# P-TRAP INSTALLATION

## 1 Install tail pipe (G)



## 2 Install P-trap (J)

