

Pier Base Accessory

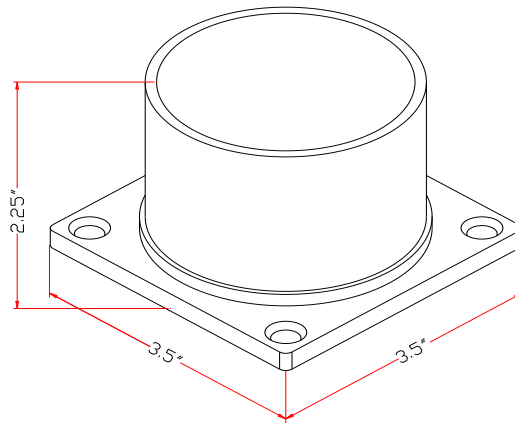


Specifications

Material Construction:	Formed Steel
Lens:	N/A
Lamp Type & Wattage:	N/A
Mounting:	Mounts to pier, column, wide post, deck wall, etc.
Hardware:	Mounting hardware not included
Finish:	Black
Voltage:	N/A
Weight:	0.29 lbs
Inside diameter:	2.638"
Outside diameter:	2.874"



Dimensions



Warranty & Compliances

Warranty	10 Year Limited Warranty
UL	N/A
ADA	N/A
EnergyStar	N/A



Companion Fixtures

Pier Base

502211

Type:
Job:
Order Code:
Approvals:

Design House reserves the right to make changes in materials, specifications & models at any time. Design House also reserves the right to discontinue product without notice or obligation.