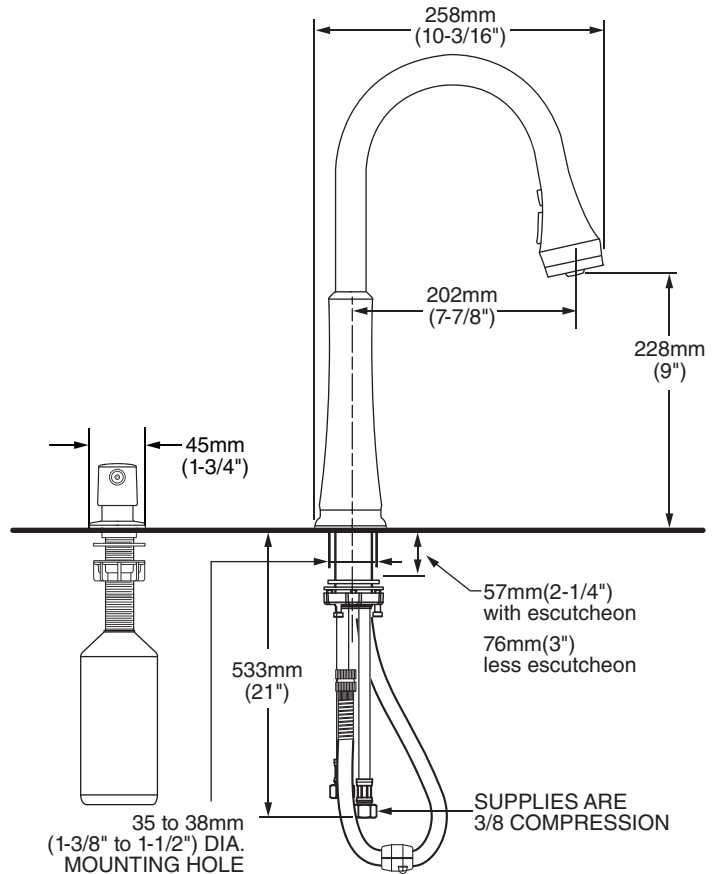
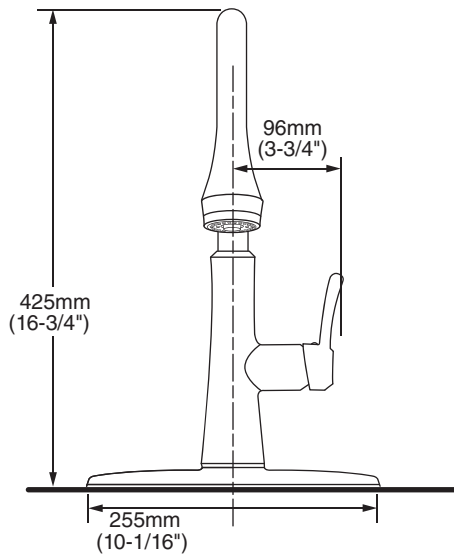




MODEL NUMBER:

- 7009SSF Kitchen Faucet with Pull-Down Spray Soap dispenser and escutcheon. (use is optional)



GENERAL DESCRIPTION:

Metal body handle and escutcheon plate. High arc brass spout with pull-down SelectFlo™ 4 function spray head with pause feature. Adjustable spray pattern with toggle button activation. Washerless 40mm ceramic disc valve cartridge. Braided flexible Stainless Steel supply hoses with 3/8" compression connections. Metal mounting shank with brass fixation ring. Complete with two integral check valves. 1.8 gpm/6.8 L/min. maximum flow rate. Fitting can be mounted with or without escutcheon plate.

PRODUCT FEATURES:

SelectFlo™ Spray Head: 4 function spray with pause offers STREAM, SPRAY, MIST and JET sprays to perform various kitchen tasks.

Ceramic Disc Valve Cartridge: Assures smooth, precise valve control and a lifetime of drip-free, maintenance-free performance.

Memory Position Valving: Allows user to turn valve on and off at preferred temperature setting without readjusting handle position each time.

Lead Free: Faucet contains ≤ 0.25% total lead content by weighted average.

Integral Check Valves: Prevents back flow.

SUGGESTED SPECIFICATION:

Single control kitchen pull-down faucet shall feature a high arc brass swivel spout with pull-down SelectFlo™ spray, metal escutcheon plate and handle. Shall also feature washerless ceramic disc valve cartridge and flexible Stainless Steel supply hoses. Faucet shall be American Standard Model # 7009SSF_____.

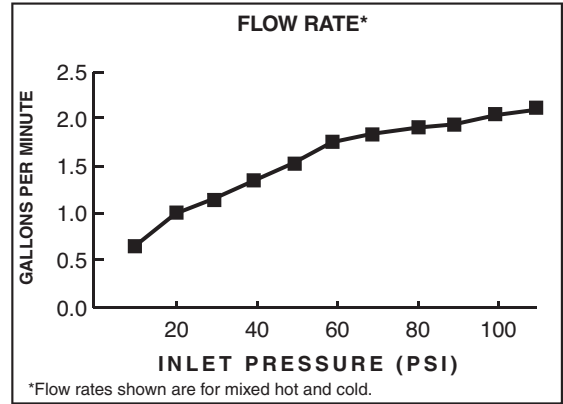


HUNTLEY™
PULL-DOWN KITCHEN FAUCET
WITH SELECTFLO™

CODES AND STANDARDS

These products meet or exceed the following codes and standards:

- ANSI A117.1**
- ASME A112.18.1**
- NSF 61/Section 9 & Annex G**
- CSA B125**



Product Number	Description	Finish Option
		Stainless Steel (PVD)
		075
7009SSF	Huntley SelectFlo™ Pull-Down Kitchen Faucet	

 Meets the American Disabilities Act Guidelines and **ANSI A117.1** Requirements for the physically challenged.