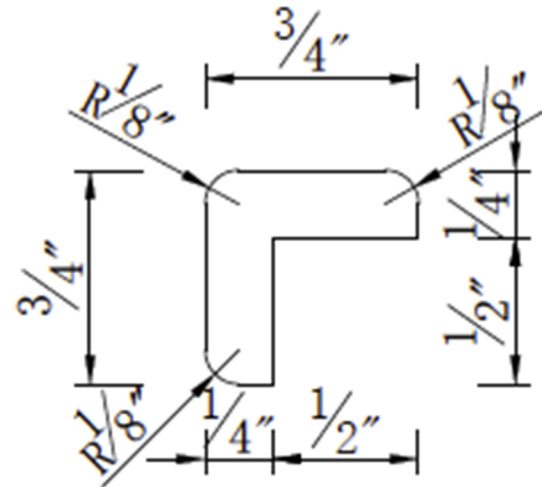


96" Cabinet Corner Molding 96x0.75x0.75  
White



## SPECIFICATIONS

<b>MATERIAL CONSTRUCTION:</b>	Wood	<b>NUMBER OF SHELVES:</b>	0
<b>WOOD SPECIES:</b>	Maple	<b>SHELF STYLE:</b>	N/A
<b>ASSEMBLED DIMENSIONS:</b>	0.75" H x 96" L x 0.75" D	<b>ADJUSTIBLE SHELVES:</b>	N/A
<b>ASSEMBLED WEIGHT:</b>	11.06 lbs.	<b>SHELF ADJUSTIBILITY INCREMENTS:</b>	N/A
<b>KITCHEN CABINET TYPE:</b>	Crown Molding	<b>SHELF DIMENSIONS:</b>	N/A
<b>MOUNTING TYPE:</b>	N/A	<b>SHELF THICKNESS:</b>	N/A
<b>CONSTRUCTION TYPE:</b>	Face Frame	<b>SHELF MATERIAL:</b>	N/A
<b>HINGE STYLE:</b>	N/A	<b>FACE FRAME MATERIAL:</b>	Solid Maple
<b>DOOR STYLE:</b>	N/A	<b>SIDES MATERIAL:</b>	Plywood
<b>DRAWER DIMENSIONS 1:</b>	N/A	<b>BOTTOM MATERIAL:</b>	Plywood
<b>DRAWER DIMENSIONS 2:</b>	N/A	<b>BACK PANEL MATERIAL:</b>	Plywood
<b>DRAWER DIMENSIONS 3:</b>	N/A	<b>BACK BRACE MATERIAL:</b>	Wood
<b>DWR BOX MATERIAL:</b>	N/A	<b>TOE KICK INSET WIDTH:</b>	N/A
<b>DWR CONSTRUCTION:</b>	N/A	<b>TOOLS NEEDED FOR INSTALLATION:</b>	Phillips Screwdriver Wood Glue Mallet
<b>DWR GLIDE:</b>	N/A	<b>FASTENER TYPE:</b>	N/A
<b>FAKE DWR QTY:</b>	0		
<b>FAKE DWR LOCATION:</b>	N/A		

<b>WARRANTY:</b>	1-Year limited warranty
<b>LEGAL FOR SALE IN CALIFORNIA:</b>	Yes
<b>CARB COMPLIANT:</b>	N/A
<b>TSCA TITLE IV COMPLIANT:</b>	Yes



<b>TYPE:</b> <b>JOB:</b> <b>ORDER CODE:</b> <b>APPROVALS:</b>
--