

ASSEMBLE INSTRUCTION FOR FRAMED CABINETS

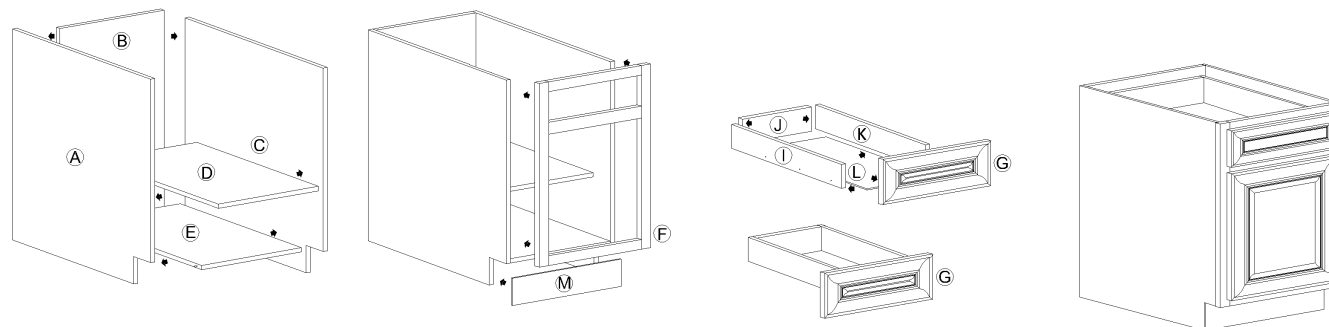
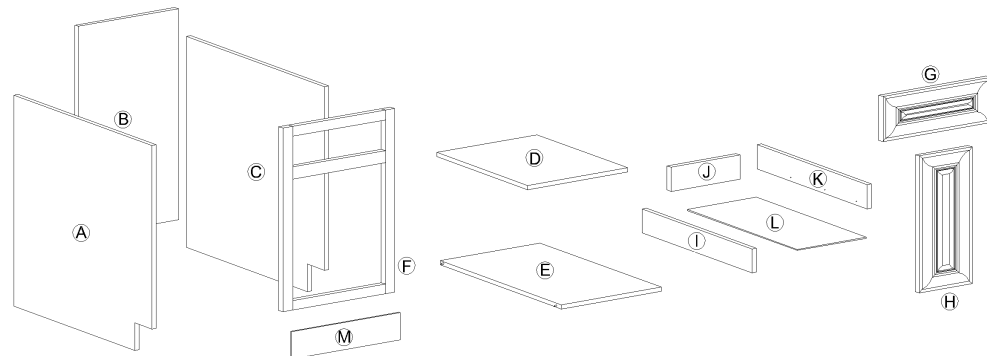
Framed Base Cabinets

1. Framed Base Cabinets - 1 Door 1 Drawer

Assembling Instruction for Framed Base Cabinet - 1 Door - 1 Drawer

AVAILABLE TYPE: B09 B12 B15 B18 B21

- A: Side Panel (Left)
- B: Back Panel
- C: Side Panel (Right)
- D: Shelf (Adjustable Height)
- E: Bottom Panel
- F: Face Frame
- G: Drawer Face
- H: Door
- I: Drawer Box Panel (Left)
- J: Drawer Box Panel (Back)
- K: Drawer Box Panel (Right)
- L: Drawer Box Panel (Bottom)
- M: Toe Kick

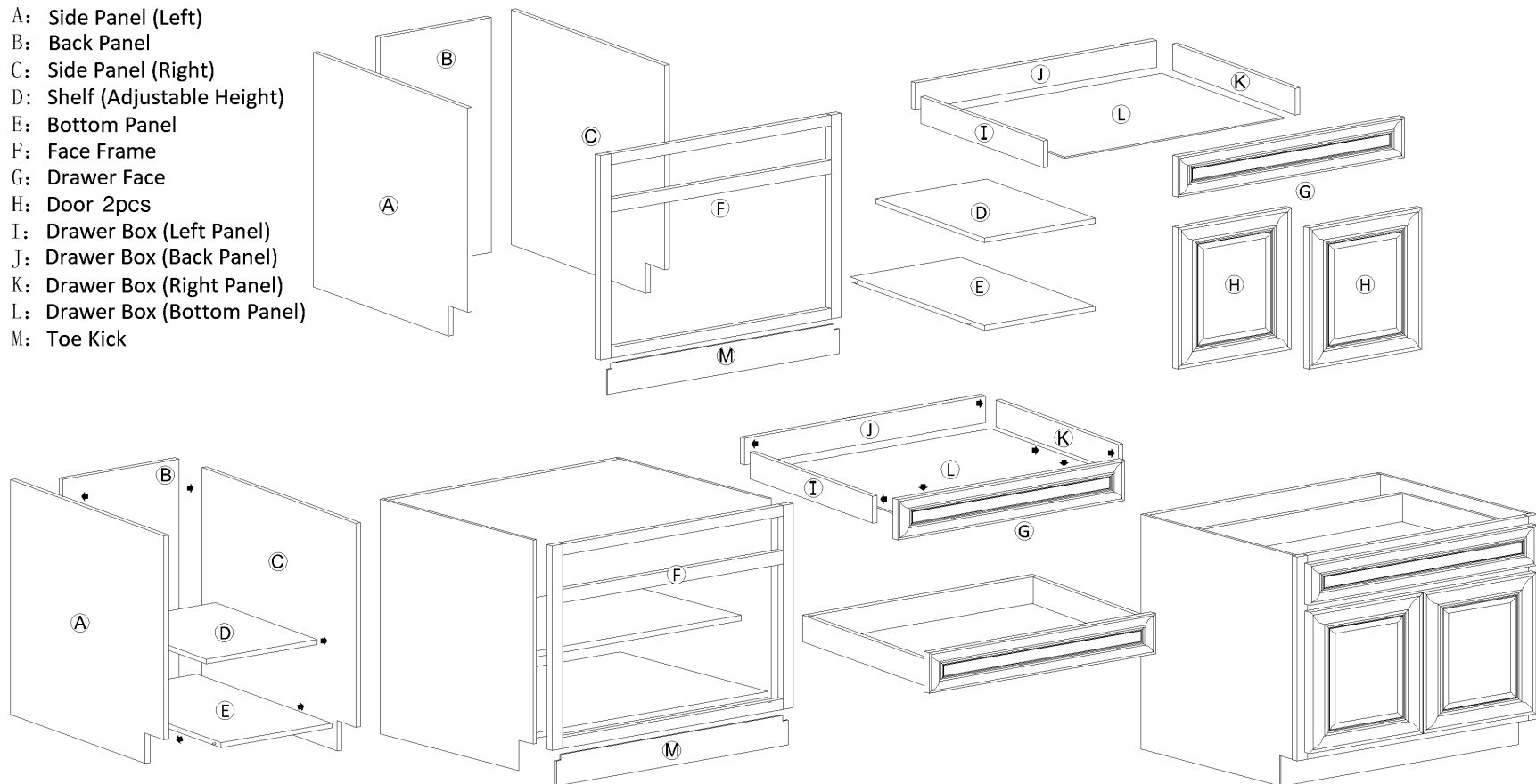


2. Framed Base Cabinets - 1 Drawer, 2 Doors

Assembling Instruction for Framed Base Cabinet-1 Drawers, 2 Doors

AVAILABLE TYPE: B24 B27 B30

- A: Side Panel (Left)
- B: Back Panel
- C: Side Panel (Right)
- D: Shelf (Adjustable Height)
- E: Bottom Panel
- F: Face Frame
- G: Drawer Face
- H: Door 2pcs
- I: Drawer Box (Left Panel)
- J: Drawer Box (Back Panel)
- K: Drawer Box (Right Panel)
- L: Drawer Box (Bottom Panel)
- M: Toe Kick

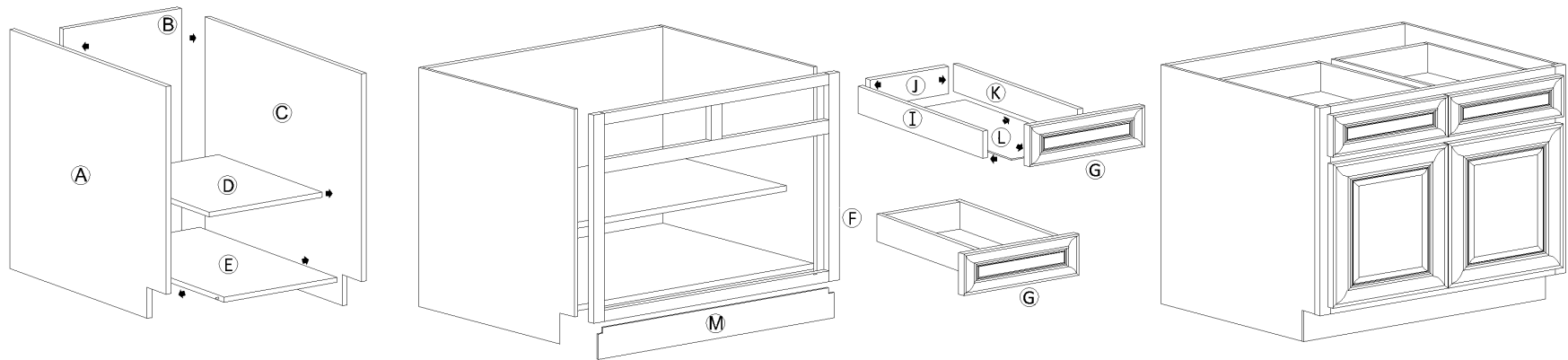
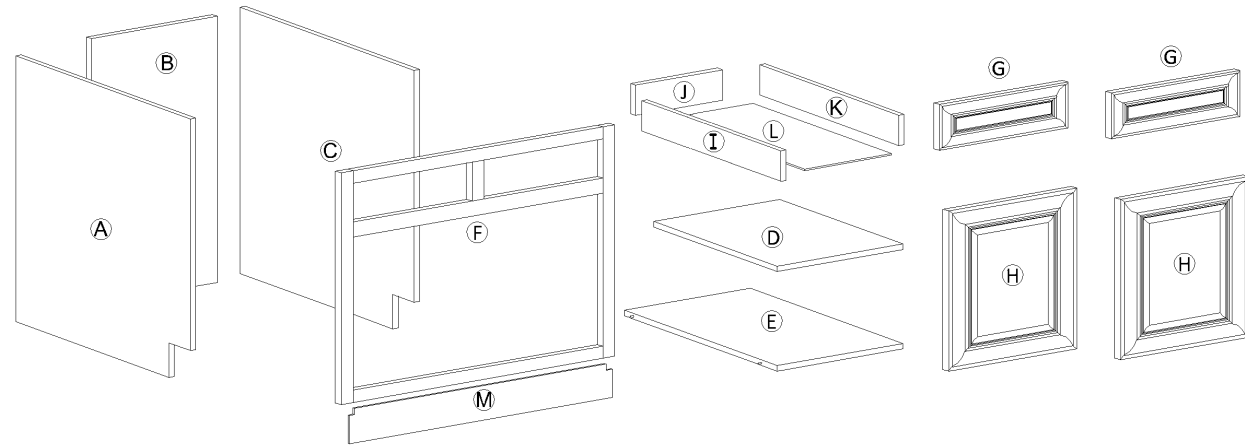


3. Framed Base Cabinets - 2 Drawers, 2 Doors

Assembling Instruction for Framed Base Cabinet-2 Drawers, 2 Doors

AVAILABLE TYPE: B33 B36 B39 B42

- A: Side Panel (Left)
- B: Back Panel
- C: Side Panel (Right)
- D: Shelf (Adjustable Height)
- E: Bottom Panel
- F: Face Frame
- G: Drawer Face 2pcs
- H: Door 2pcs
- I: Drawer Box (Left Panel) 2pcs
- J: Drawer Box (Back Panel) 2pcs
- K: Drawer Box (Right Panel) 2pcs
- L: Drawer Box (Bottom Panel) 2pcs
- M: Toe Kick

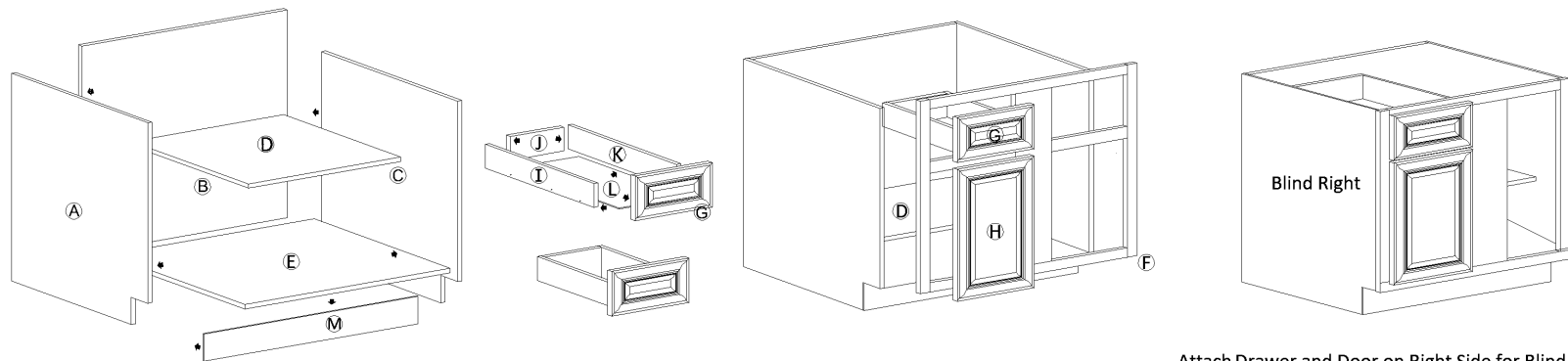
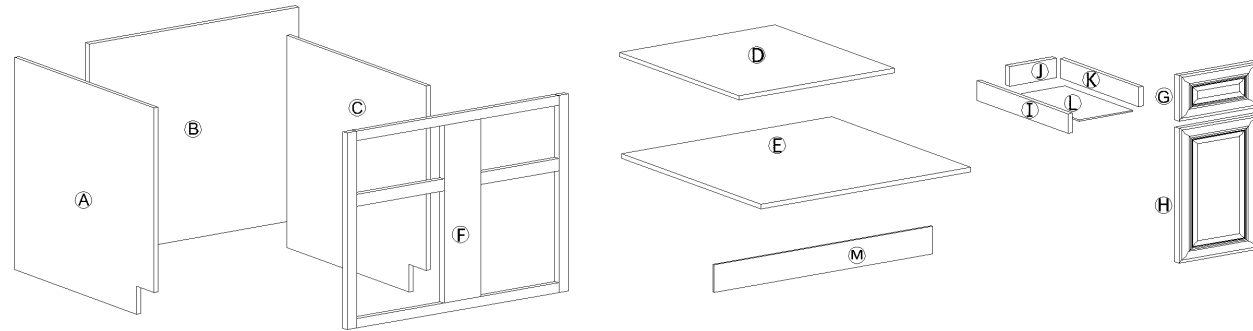


4. Framed Blind Base Cabinets

Assembling Instruction for Framed Blind Base Cabinet

AVAILABLE TYPE: BBC36
BBC39 BBC42

- A: Side Panel (Left)
- B: Back Panel
- C: Side Panel (Right)
- D: Shelf
- E: Bottom Panel
- F: Face Frame
- G: Drawer Face
- H: Door
- I: Drawer Box (Left Panel)
- J: Drawer Box (Back Panel)
- K: Drawer Box (Right Panel)
- L: Drawer Box (Bottom Panel)
- M: Toe Kick



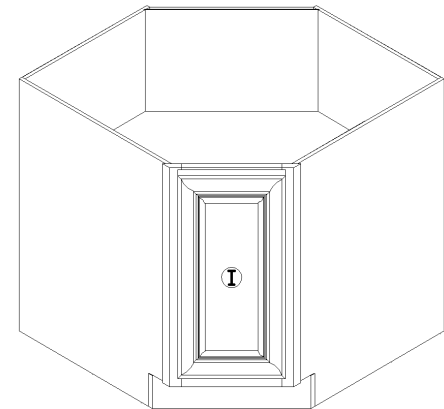
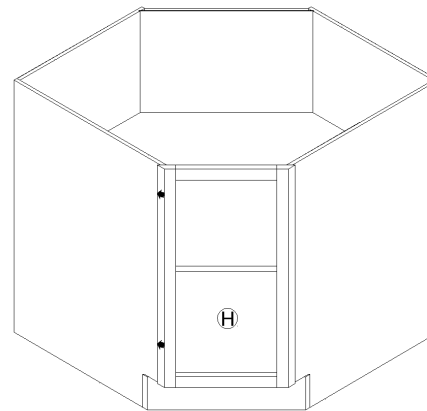
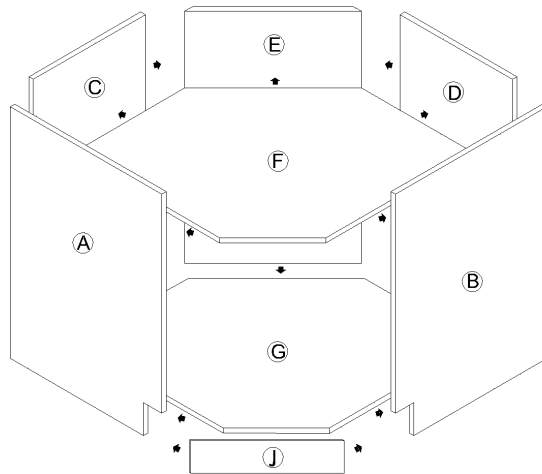
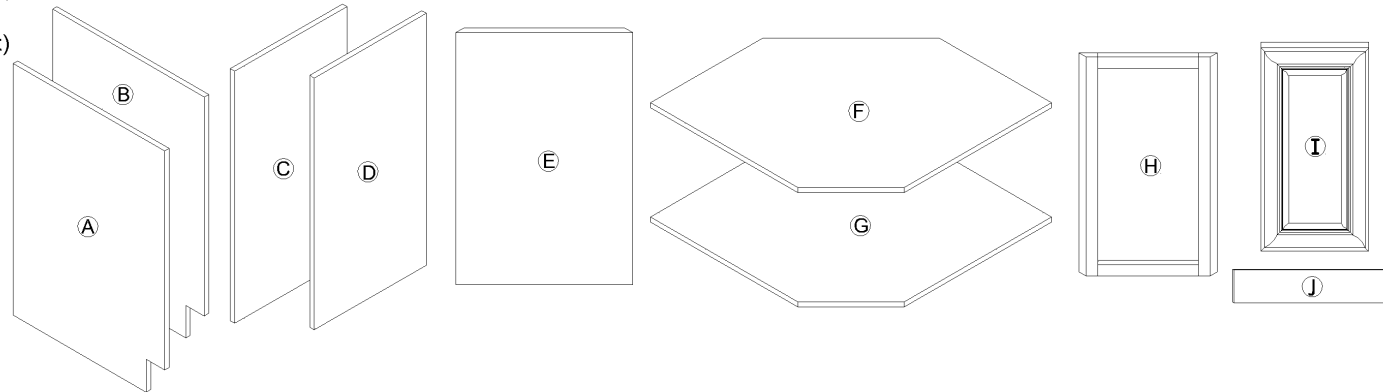
Attach Drawer and Door on Right Side for Blind Left

5. Framed Base Diagonal Cabinets - 1 Door

Assembling Instruction for Framed Base Diagonal Cabinet - 1 Door

AVAILABLE TYPE: BDC36

- A: Front Side Panel (Left)
- B: Front Side Panel (Right)
- C: Back Side Panel (Left)
- D: Back Side Panel (Right)
- E: Back Center Panel
- F: Shelf
- G: Bottom Panel
- H: Face Frame
- I: Door
- J: Toe Kick

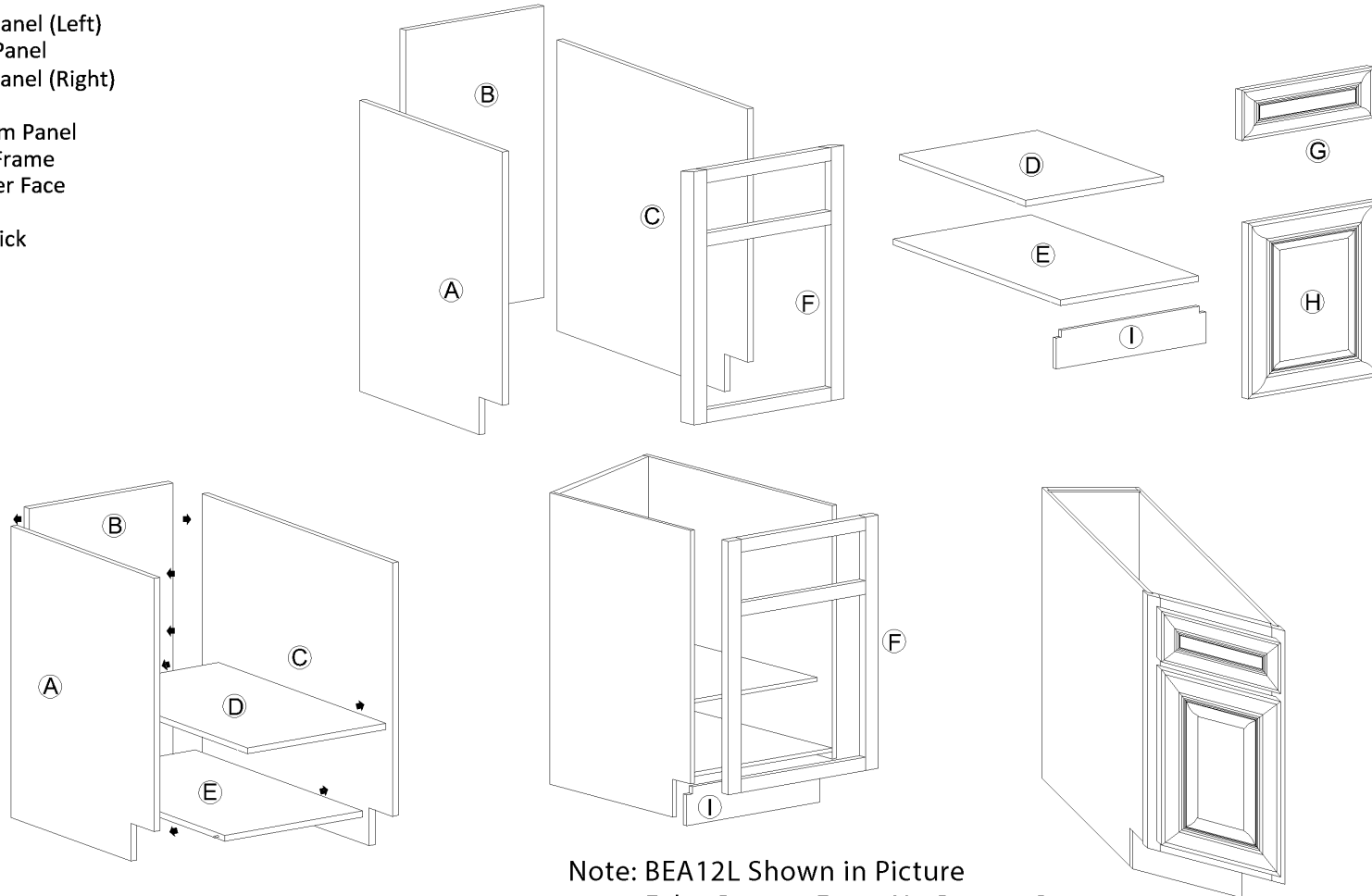


6. Framed Base End Angle Cabinets

Assembling Instruction for Framed Base End Angle Cabinet

AVAILABLE TYPE: BEA12L BEA12R

- A: Side Panel (Left)
- B: Back Panel
- C: Side Panel (Right)
- D: Shelf
- E: Bottom Panel
- F: Face Frame
- G: Drawer Face
- H: Door
- I: Toe Kick



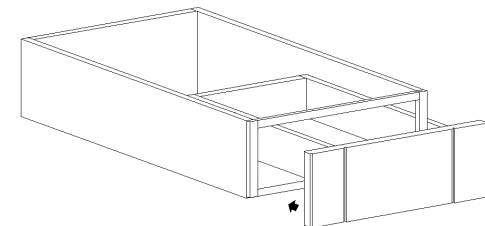
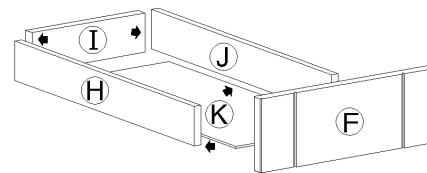
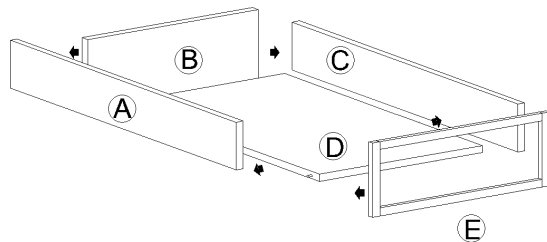
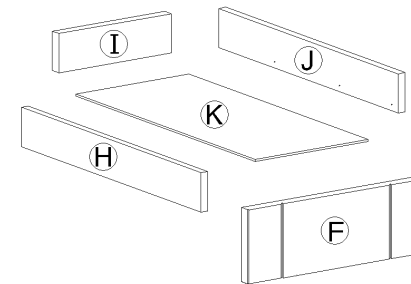
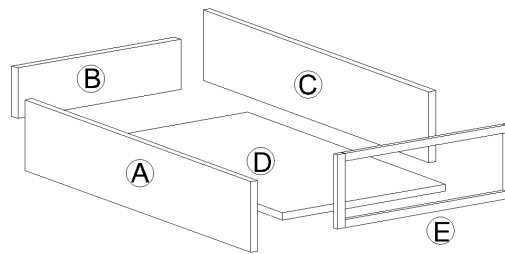
7. Framed Drawer

Assembling Instruction for Framed Drawer

AVAILABLE : BKD&DKD

TYPE : BKD24/30/36

- A: Side Panel (Left)
- B: Back Panel
- C: Side Panel (Right)
- D: Bottom Panel
- E: Face Frame
- F: Drawer Face
- H: Drawer Box Panel (Left)
- I: Drawer Box Panel (Back)
- J: Drawer Box Panel (Right)
- K: Drawer Box Panel (Bottom)

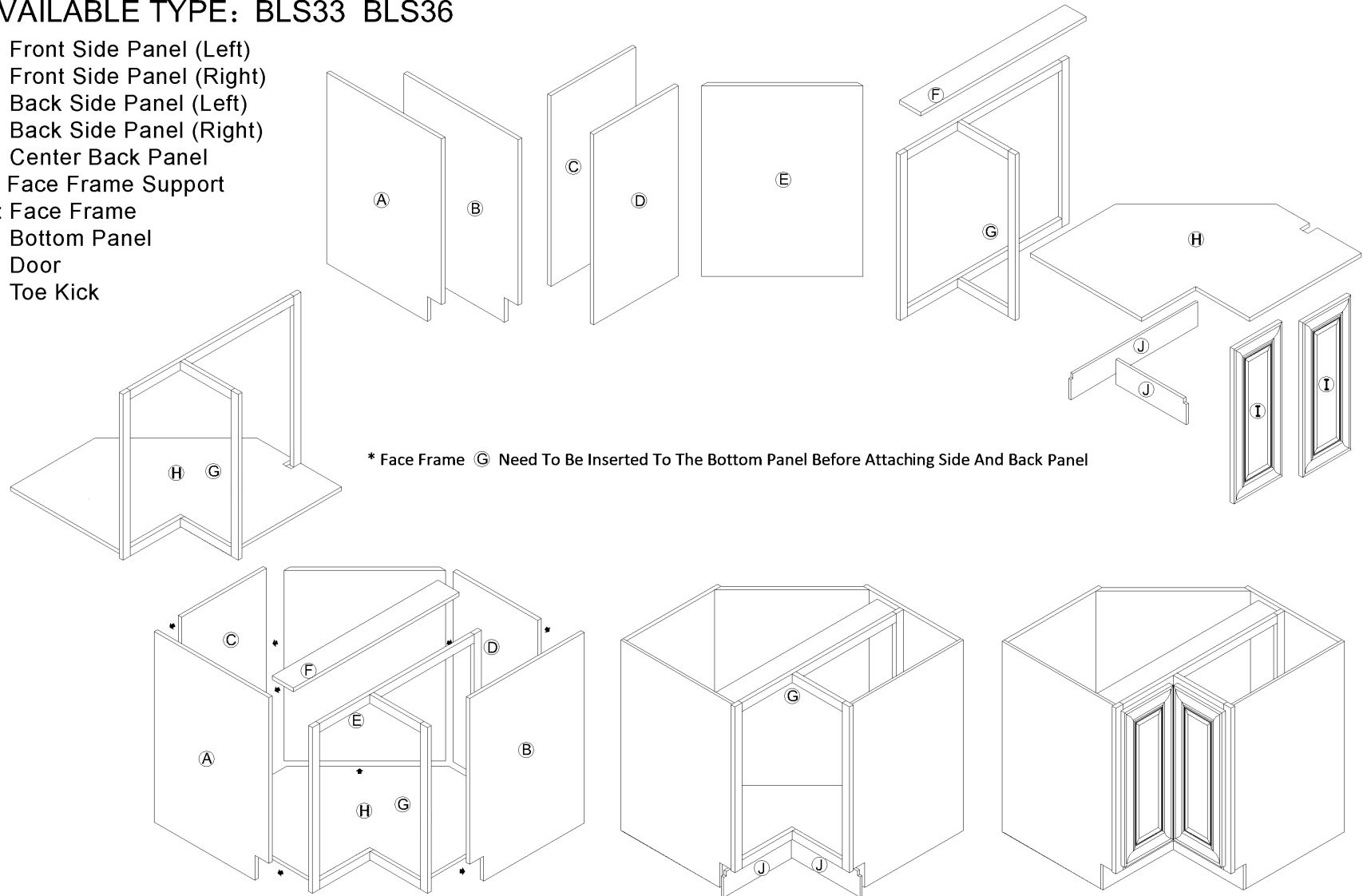


8. Framed Base Lazy Susan Cabinets

Assembling Instruction for Framed Base Lazy Susan Cabinet

AVAILABLE TYPE: BLS33 BLS36

- A: Front Side Panel (Left)
- B: Front Side Panel (Right)
- C: Back Side Panel (Left)
- D: Back Side Panel (Right)
- E: Center Back Panel
- F: Face Frame Support
- G: Face Frame
- H: Bottom Panel
- I: Door
- J: Toe Kick

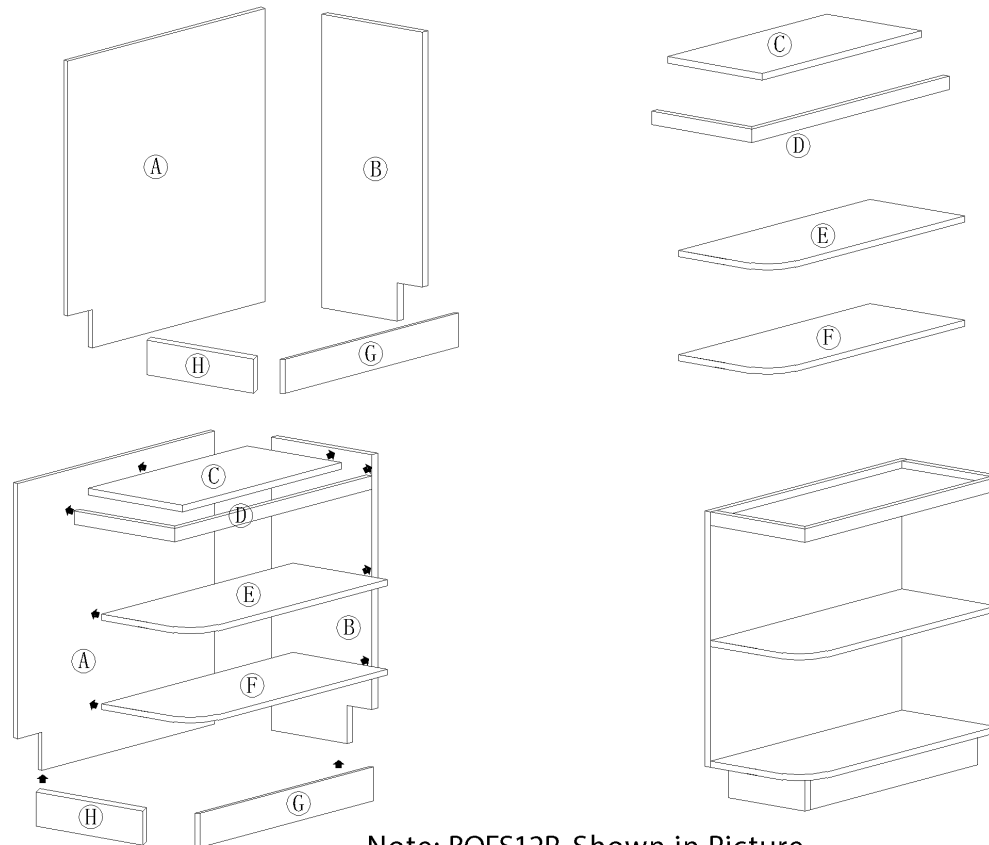


9. Framed Base Open End Shelf

Assembling Instruction for Framed Base Open End Shelf

AVAILABLE TYPE: BOES12L BOES12R

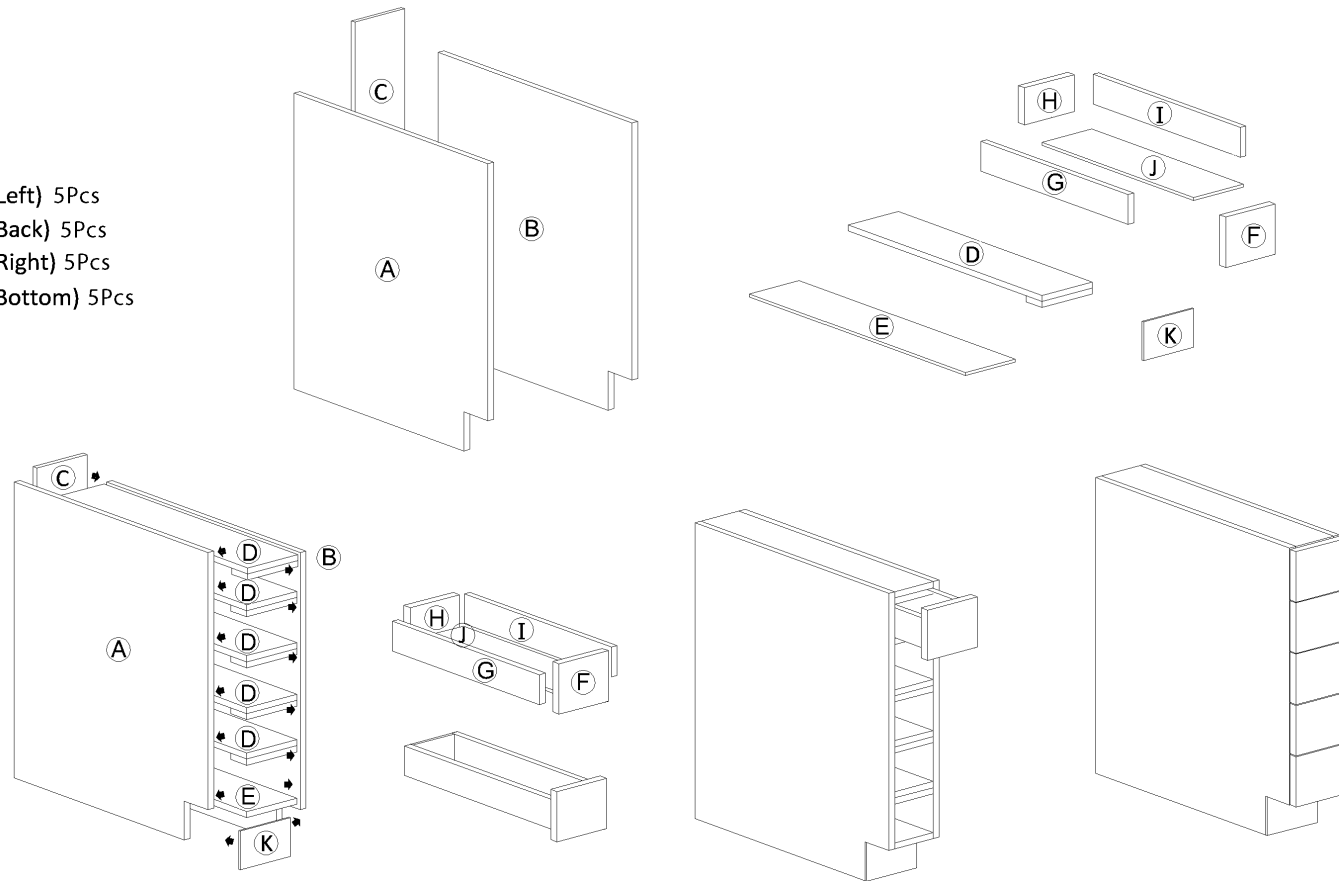
- A: Side Panel
- B: Back Panel
- C: Top Panel
- D: Face Frame
- E: Mid Panel
- F: Bottom Panel
- G: Long Toe Kick
- H: Short Toe Kick



10. Framed Base Spice Drawer Cabinet

Assemble Instruction for Framed Base Spice Drawer Cabinet AVAILABLE TYPE: BSDC06

- A: Side Panel (Left)
- B: Side Panel (Right)
- C: Back Panel
- D: Divider Panel 5pcs
- E: Bottom Panel
- F: Drawer Face 5pcs
- G: Drawer Box Panel (Left) 5Pcs
- H: Drawer Box Panel (Back) 5Pcs
- I: Drawer Box Panel (Right) 5Pcs
- J: Drawer Box Panel (Bottom) 5Pcs
- K: Kick Toe



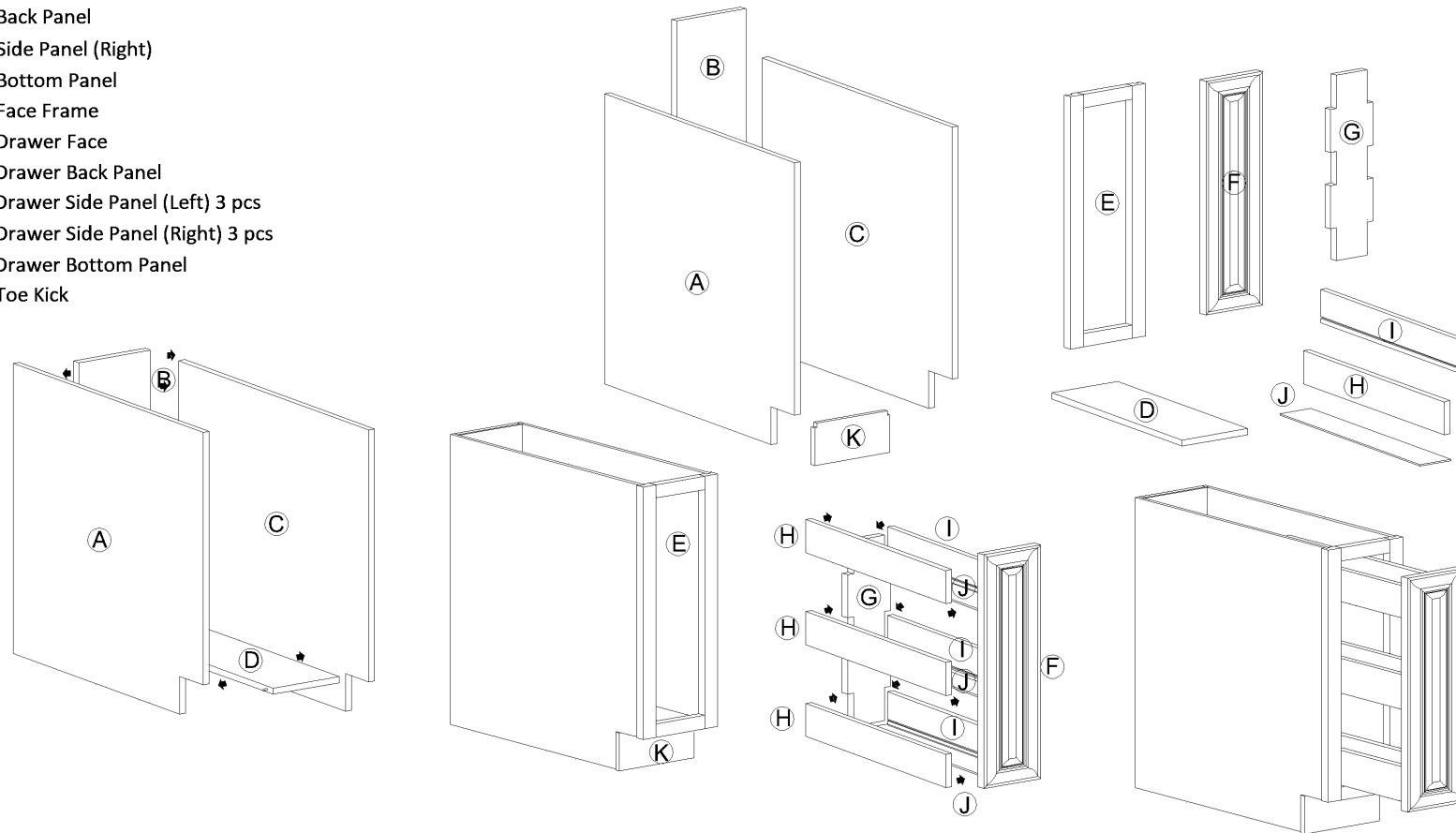
Note: This cabinet does **NOT** come with drawer slide

11. Framed Base Spice Rail

Assembling Instruction of Framed Base Spice Rail

AVAILABLE TYPE: BSR09

- A: Side Panel (Left)
- B: Back Panel
- C: Side Panel (Right)
- D: Bottom Panel
- E: Face Frame
- F: Drawer Face
- G: Drawer Back Panel
- H: Drawer Side Panel (Left) 3 pcs
- I: Drawer Side Panel (Right) 3 pcs
- J: Drawer Bottom Panel
- K: Toe Kick



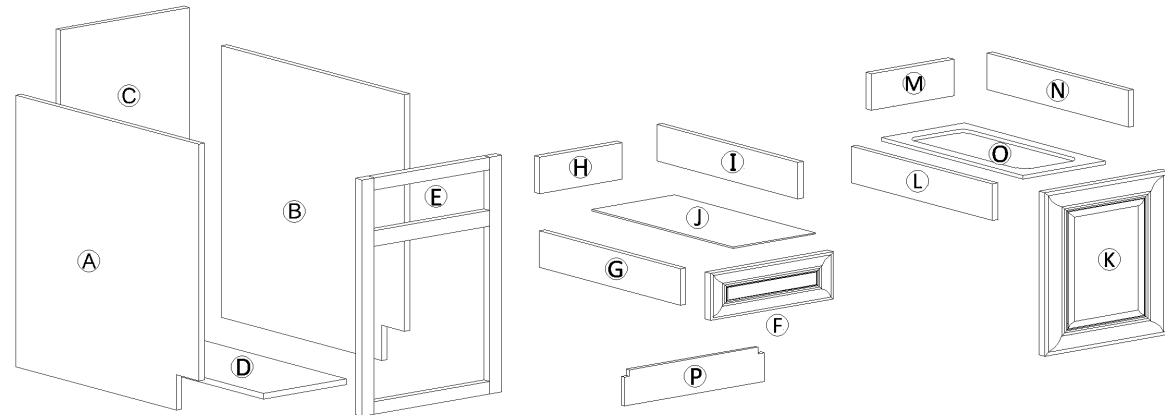
Note: This cabinet does **NOT** come with drawer slide

12. Framed Base Waste Basket

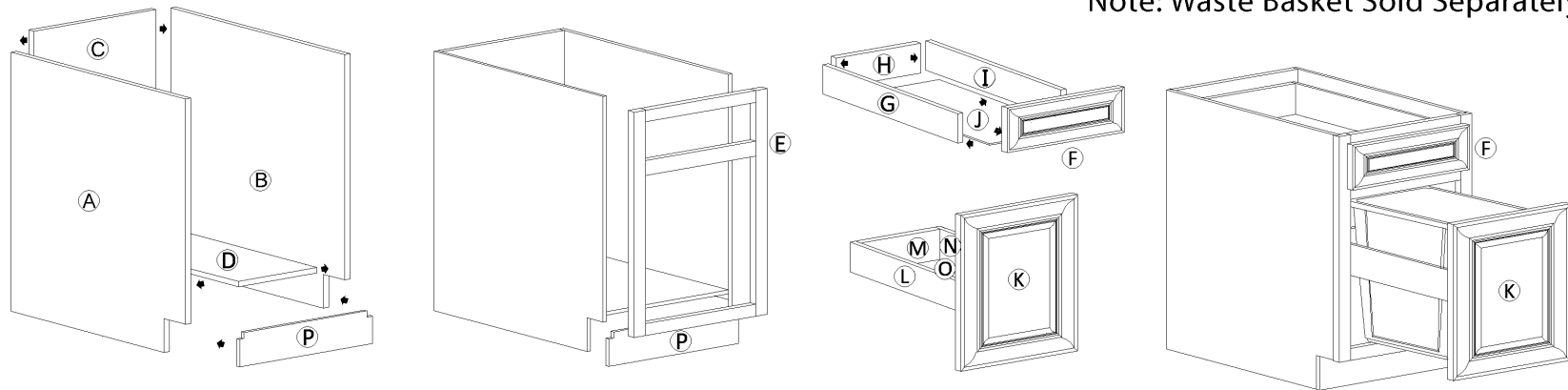
Assembling Instruction for Framed Base Waste Basket

AVAILABLE TYPE: BWBK18

- A: Side Panel (Left)
- B: Side Panel (Right)
- C: Back Panel
- D: Bottom Panel
- E: Face Frame
- F: Top Drawer Face
- G: Top Drawer Panel (Left)
- H: Top Drawer Panel (Back)
- I: Top Drawer Panel (Right)
- J: Top Drawer Panel (Bottom)
- K: Bottom Drawer Face
- L: Bottom Drawer Panel (Left)
- M: Bottom Drawer Panel (Back)
- N: Bottom Drawer Panel (Right)
- O: Bottom Drawer Panel (Bottom)
- P: Toe Kick



Note: Waste Basket Sold Separately

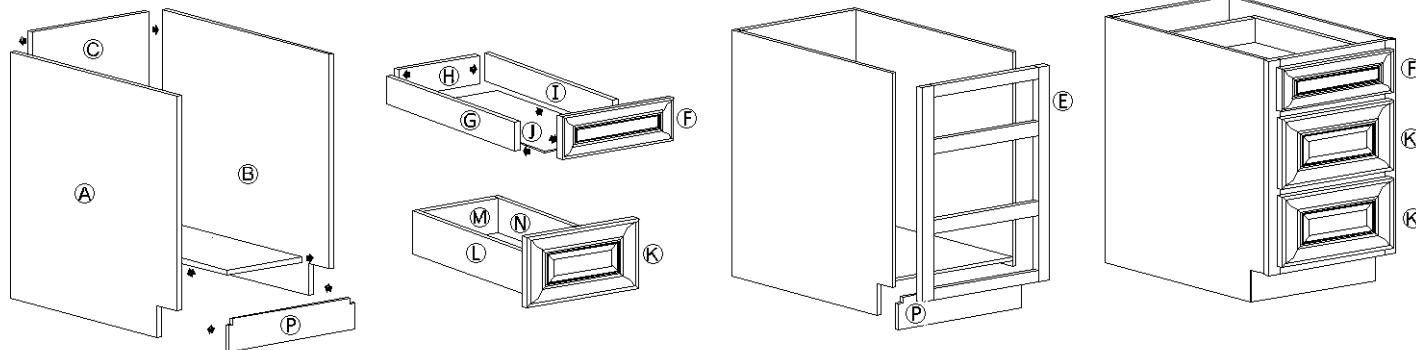
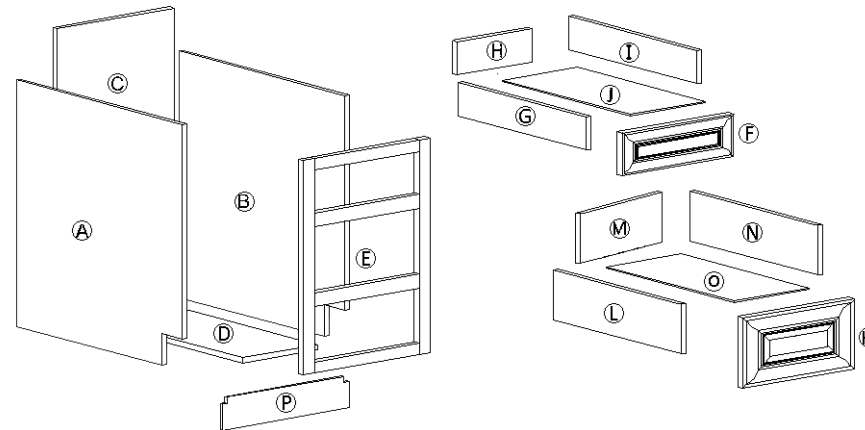


13. Framed Drawer Base Cabinets - 3 Drawers

Assembling Instruction for Framed Drawer Base Cabinet - 3 Drawers

AVAILABLE TYPE : DB12-3 DB15-3 DB18-3 DB21-3 DB24-3
DB27-3 DB30-3 DB33-3 DB36-3

- A: Side Panel (Left)
- B: Side Panel (Right)
- C: Back Panel
- D: Bottom Panel
- E: Face Frame
- F: Small Drawer Face
- G: Small Drawer Panel (Left)
- H: Small Drawer Panel (Back)
- I: Small Drawer Panel (Right)
- J: Small Drawer Panel (Bottom)
- K: Large Drawer Face 2 pcs
- L: Large Drawer Panel (Left) 2 pcs
- M: Large Drawer Panel (Back) 2 pcs
- N: Large Drawer Panel (Right) 2 pcs
- O: Large Drawer Panel (Bottom) 2 pcs
- P: Toe Kick



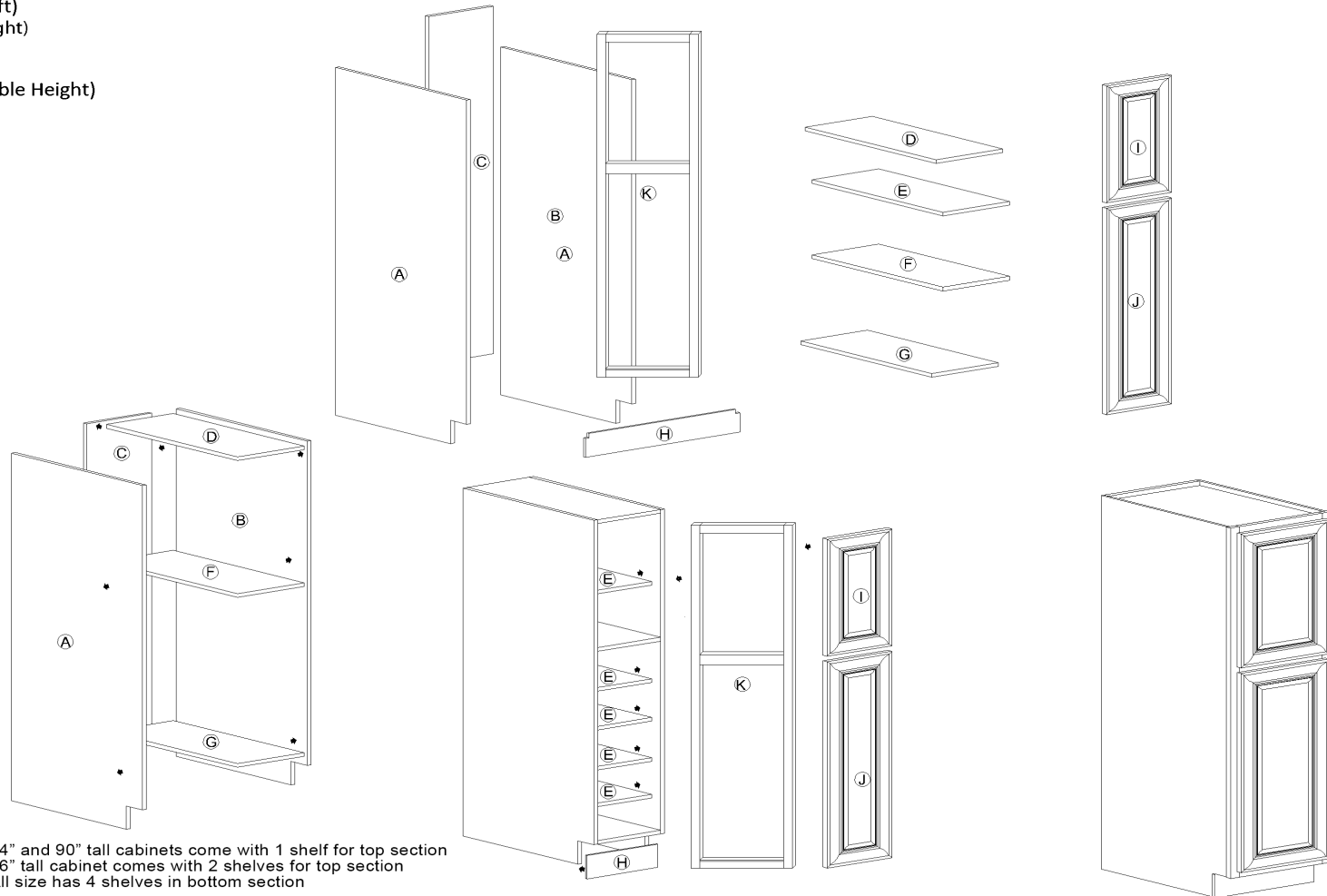
Framed Pantry Cabinets

1. Framed Pantry Cabinets - 2 Doors

Assembling Instruction for Framed Pantry - 2 Doors

AVAILABLE TYPE: PC1884 PC1890 PC1896*

- A: Side Panel (Left)
- B: Side Panel (Right)
- C: Back Panel
- D: Top Panel
- E: Shelf (Adjustable Height)
- F: Mid Panel
- G: Bottom Panel
- H: Toe Kick
- I: Top Door
- J: Bottom Door
- K: Face Frame



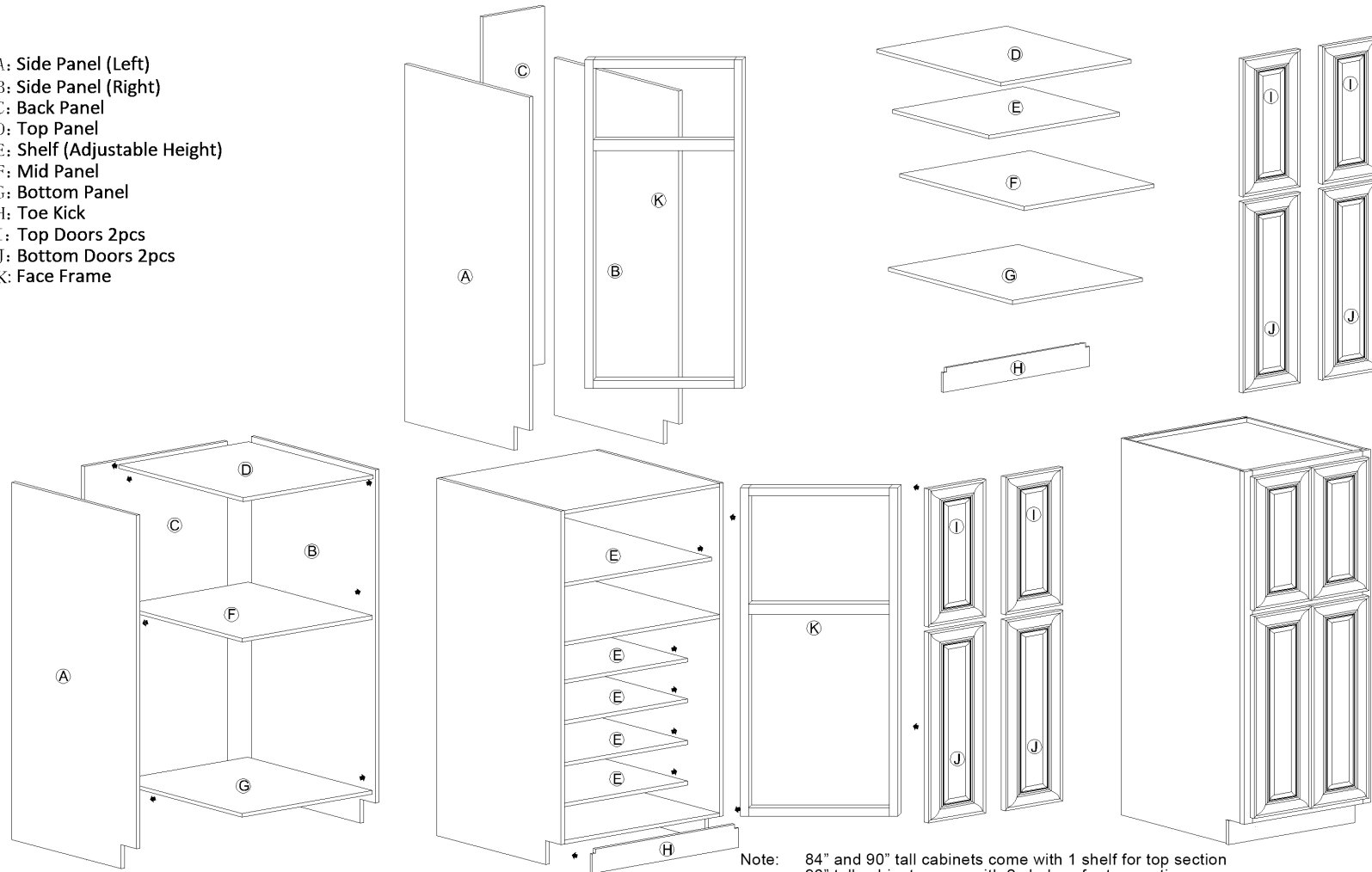
Note: 84" and 90" tall cabinets come with 1 shelf for top section
96" tall cabinet comes with 2 shelves for top section
All size has 4 shelves in bottom section

2. Framed Pantry Cabinets - 4 Doors

Assembling Instruction for Framed Pantry Cabinet - 4 Doors

AVAILABLE TYPE: PC2484 PC2490 PC2496
PC3084 PC3090 PC3096

- A: Side Panel (Left)
- B: Side Panel (Right)
- C: Back Panel
- D: Top Panel
- E: Shelf (Adjustable Height)
- F: Mid Panel
- G: Bottom Panel
- H: Toe Kick
- I: Top Doors 2pcs
- J: Bottom Doors 2pcs
- K: Face Frame



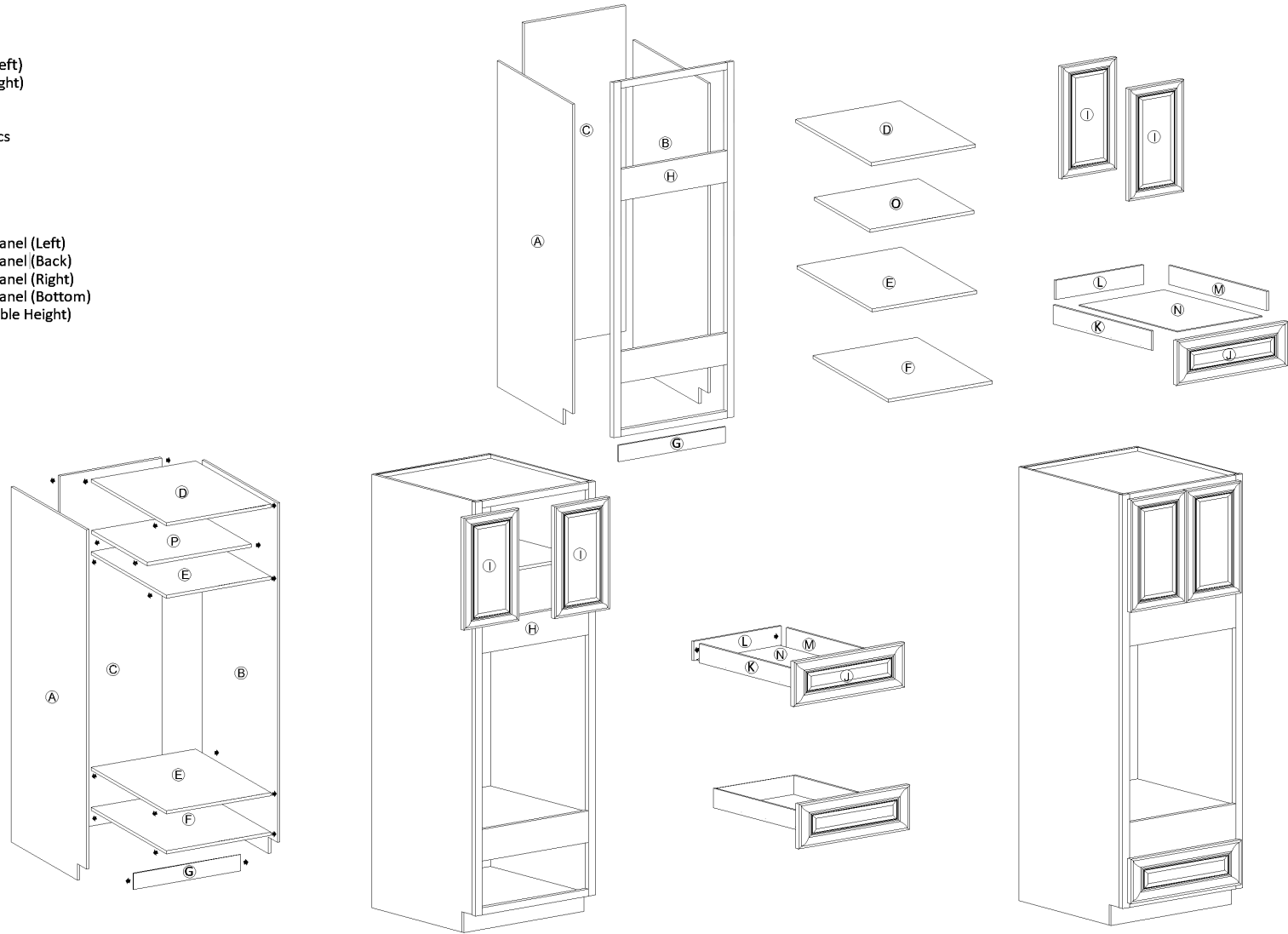
Note: 84" and 90" tall cabinets come with 1 shelf for top section
96" tall cabinet comes with 2 shelves for top section
All size has 4 shelves in bottom section

3. Framed Double Oven Cabinets

Assembling Instruction for Framed Double Oven Cabinet

AVAILABLE TYPE : DOC3384 DOC3390 DOC3396

- A: Side Panel (Left)
- B: Side Panel (Right)
- C: Back Panel
- D: Top Panel
- E: Mid Panel 2pcs
- F: Bottom Panel
- G: Toe Kick
- H: Face Frame
- I: Doors 2pcs
- J: Drawer Face
- k: Drawer Box Panel (Left)
- L: Drawer Box Panel (Back)
- M: Drawer Box Panel (Right)
- X: Drawer Box Panel (Bottom)
- O: Shelf (Adjustable Height)



Framed Vanity Cabinets

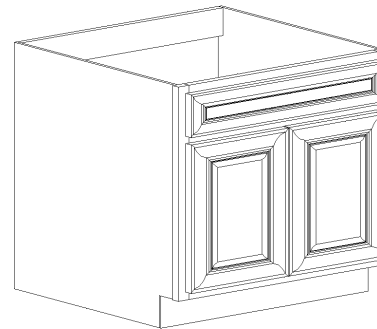
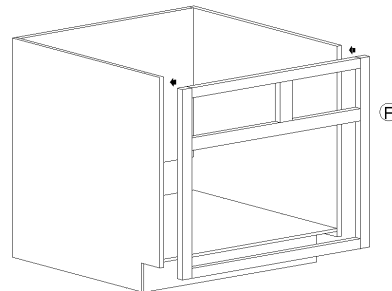
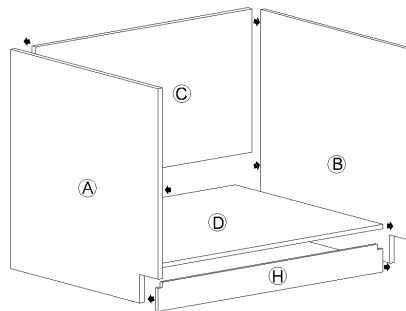
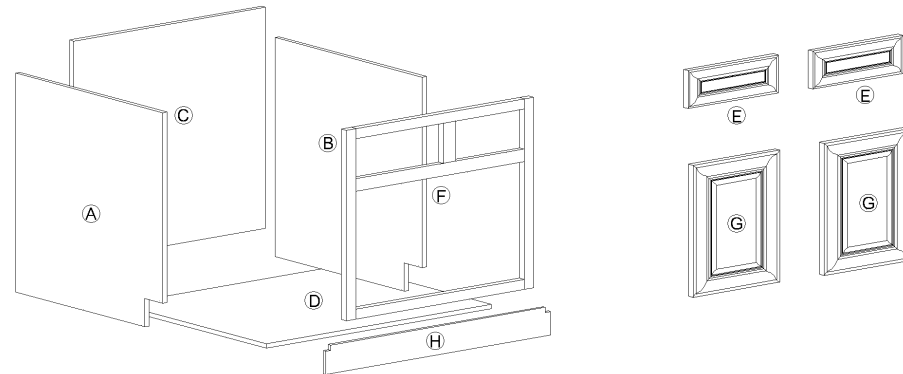
1. Framed Sink Base Cabinets

Assembling Instruction for Framed Sink Base

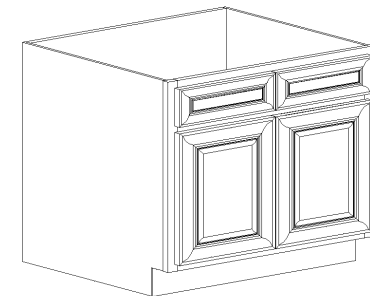
AVAILABLE TYPE: SB24 SB27 SB30

SB33 SB36 SB39 SB42

- A: Side Panel (Left)
- B: Side Panel (Right)
- C: Back Panel
- D: Bottom Panel
- E: Fake Drawer Face 2pcs
- F: Face Frame
- G: Doors 2pcs
- H: Toe Kick



SB24 SB27 SB30



SB33 SB36 SB39 SB42

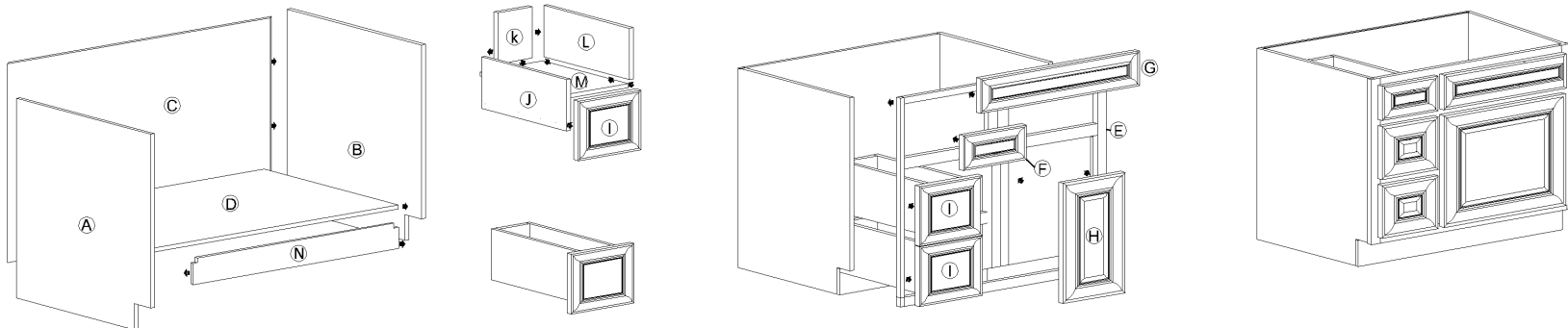
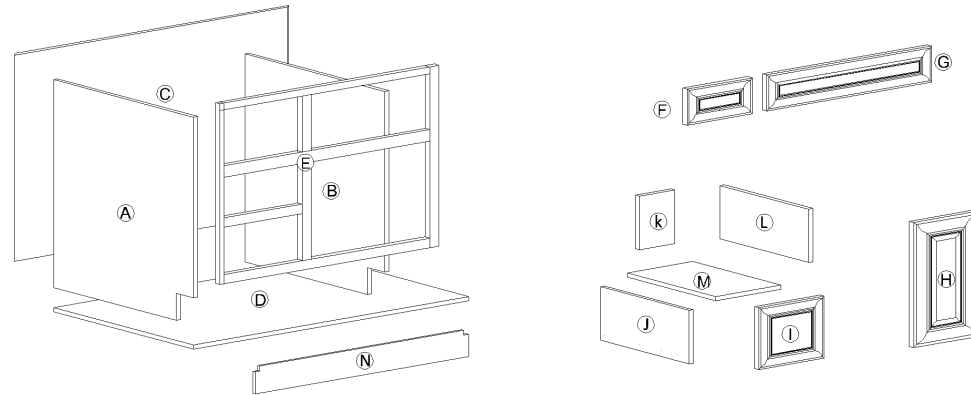
Note: False Drawer Front No Drawer Box

2. Framed Vanity Sink Drawer Cabinet

Assembling Instruction for Framed Vanity Sink Drawer Cabinet

AVAILABLE TYPE: VSD30L VSD30R

- A: Side Panel (Left)
- B: Side Panel (Right)
- C: Back Panel
- D: Bottom Panel
- E: Face Frame
- F: Small False Drawer Face
- G: Large False Drawer Face
- H: Door
- I: Drawer Face 2pcs
- J: Drawer Box Panel (Left) 2pcs
- K: Drawer Box Panel (Back) 2pcs
- L: Drawer Box Panel (Right) 2pcs
- M: Drawer Box Panel (Bottom) 2pcs
- N: Toe Kick



Note: VSD30L Shown In Picture

Framed Wall Cabinets

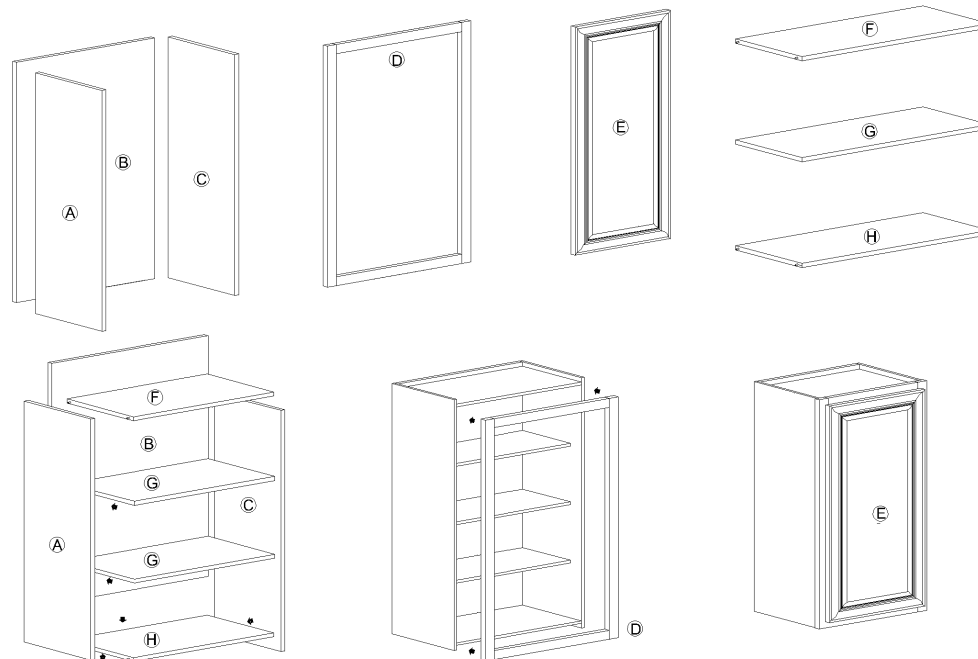
1. Framed Wall Cabinet - 1 Door

Assembling Instruction for Framed Wall Cabinet - 1 Door

AVAILABLE TYPE: W0930 W0936 W0942
W1230 W1236 W1242
W1530 W1536 W1542
W1830 W1836 W1842
W2130 W2136 W2142

Note: Glass Door Option **NOT** available for W0930 W0936 W0942

- A: Side Panel (Left)
- B: Back Panel
- C: Side Panel (Right)
- D: Face Frame
- E: Doors
- F: Top Panel
- G: Shelf (Adjustable Height)
- H: Bottom Panel



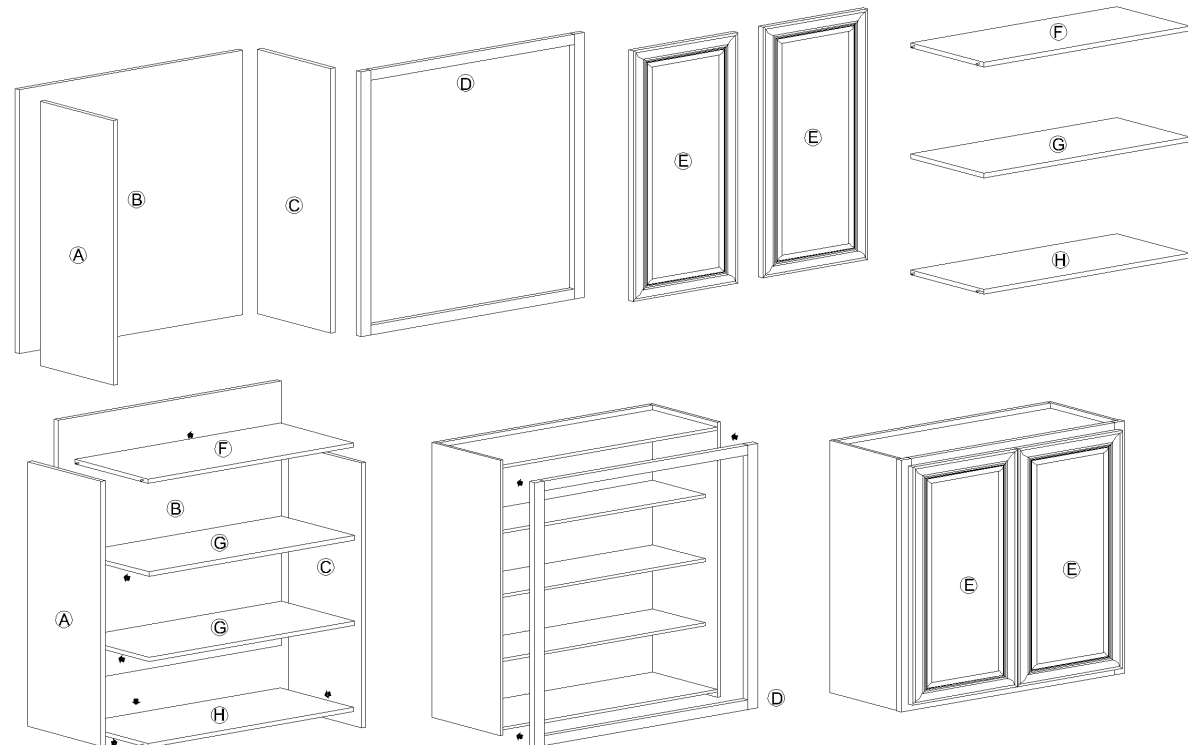
Note: 30" and 36" Height Cabinets Come With 2 Shelves
42" Height Cabinet Comes With 3 Shelves

2. Framed Wall Cabinet - 2 Doors (Wood or Glass)

Assembling Instruction for Framed Wall Cabinet - 2 Doors Wood or Glass

AVAILABLE TYPE : W2430 W2436 W2442 WMD2430 WMD2436 WMD2442
W2730 W2736 W2742 WMD2730 WMD2736 WMD2742
W3030 W3036 W3042 WMD3030 WMD3036 WMD3042
W3330 W3336 W3342 WMD3330 WMD3336 WMD3342
W3630 W3636 W3642 WMD3630 WMD3636 WMD3642
WMD3930 WMD3936 WMD3942
WMD4230 WMD4236 WMD4242

- A: Side Panel (Left)
- B: Back Panel
- C: Side Panel (Right)
- D: Face Frame
- E: Doors 2pcs
- F: Top Panel
- G: Shelf (Adjustable Height)
- H: Bottom Panel



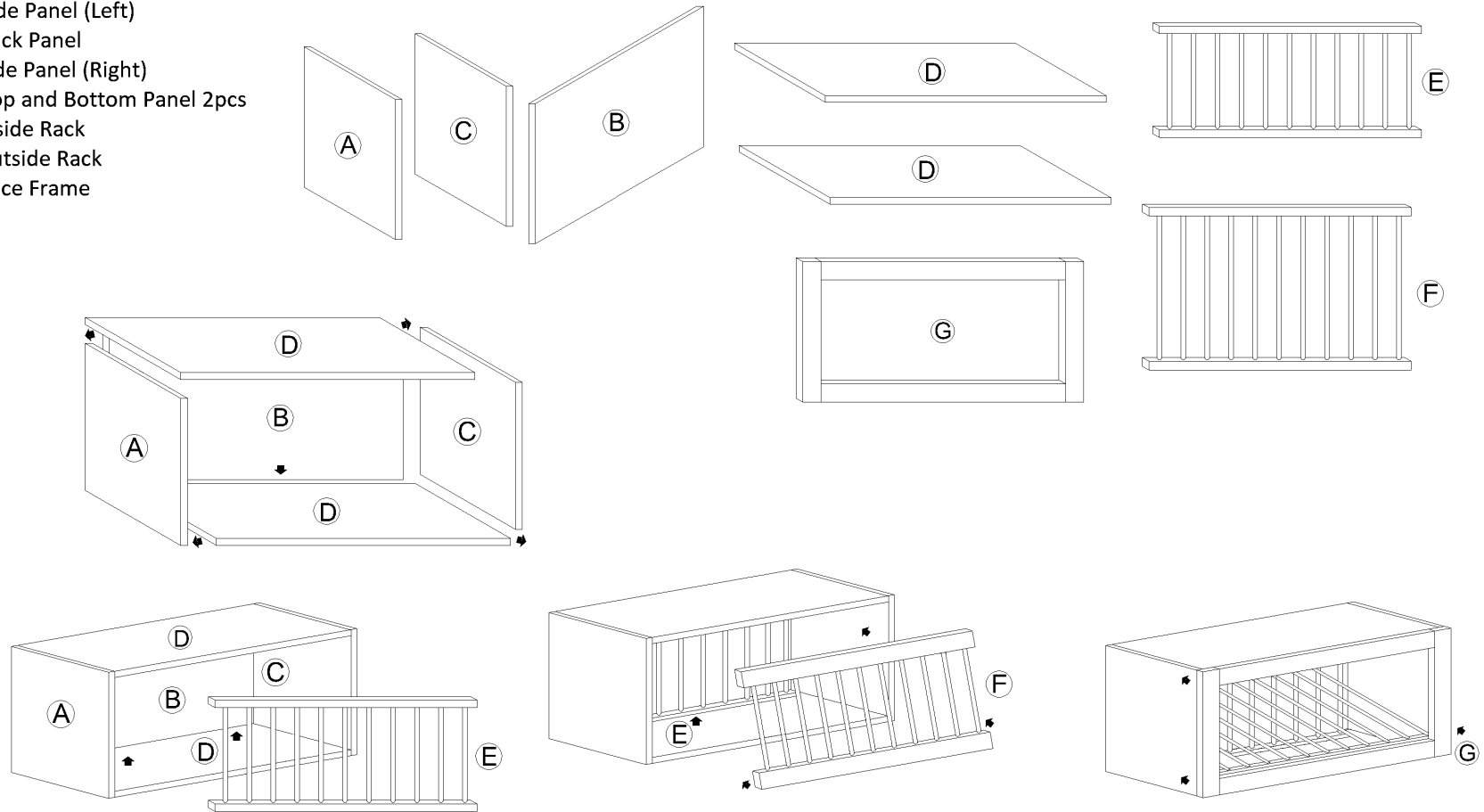
Note: 30" and 36" Height Cabinets Come with 2x Shelves
42" Height Cabinet Comes with 3x shelves

3. Framed Wall Dish Holders

Assembling Instruction for Framed Wall Dish Holders

AVAILABLE TYPE: WCD3015 WCD3615

- A: Side Panel (Left)
- B: Back Panel
- C: Side Panel (Right)
- D: Top and Bottom Panel 2pcs
- E: Inside Rack
- F: Outside Rack
- G: Face Frame

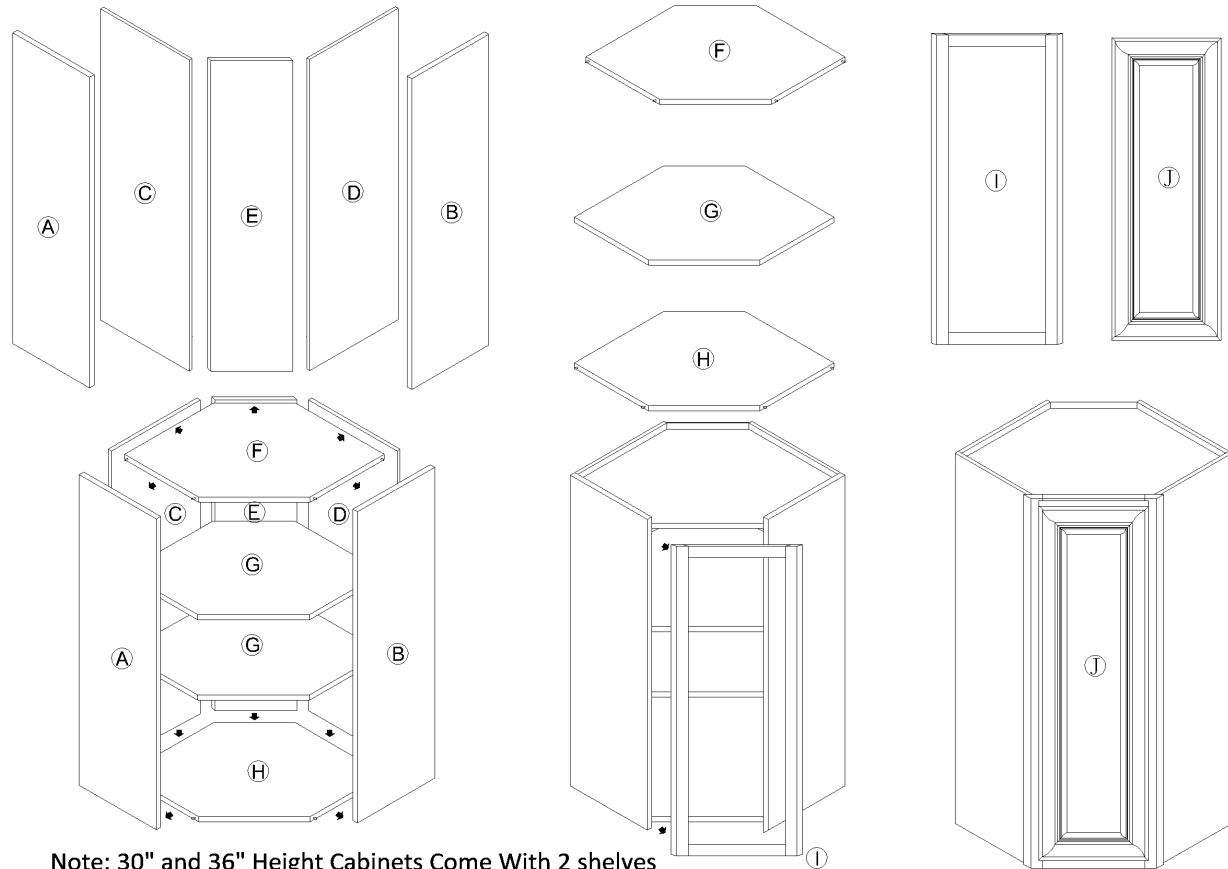


4. Framed Wall Diagonal Corner Cabinet - 1 Door (Wood or Glass)

Assembling Instruction for Framed Wall Diagonal Corner Cabinet 1 Door Wood or Glass

AVAILABLE TYPE: WDC2430 WDC2436 WDC2442
WDCMD2430 WDCMD2436 WDCMD2442

- A: Side Panel (Front Left)
- B: Side Panel (Front Right)
- C: Side Panel (Back Left)
- D: Side Panel (Back Right)
- E: Back Panel
- F: Top Panel
- G: Shelf (Adjustable Height)
- H: Bottom Panel
- I: Face Frame
- J: Door



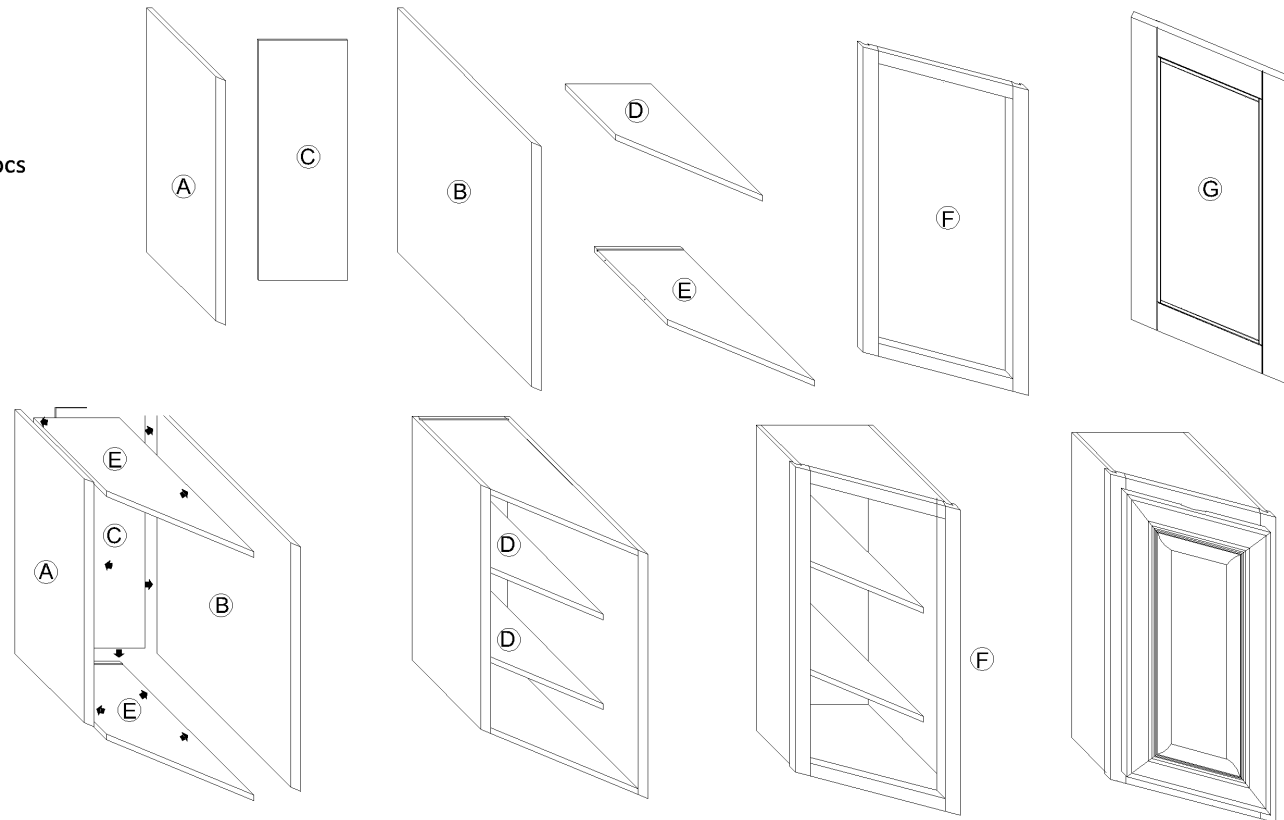
Note: 30" and 36" Height Cabinets Come With 2 shelves
42" Height Cabinet Comes With 3 Shelves

5. Framed Wall End Angle Cabinet - 1 Door, 2 or 3 Shelves

Assembling Instruction for Framed Wall End Angle Cabinet 1 Door - 2 - 3 Shelves

AVAILABLE TYPE: WEA1230 WEA1236 WEA1242

- A: Side Panel (Left)
- B: Side Panel (Right)
- C: Back Panel
- D: Shelf (Adjustable Height)
- E: Top and Bottom Panel 2pcs
- F: Face Frame
- G: Door



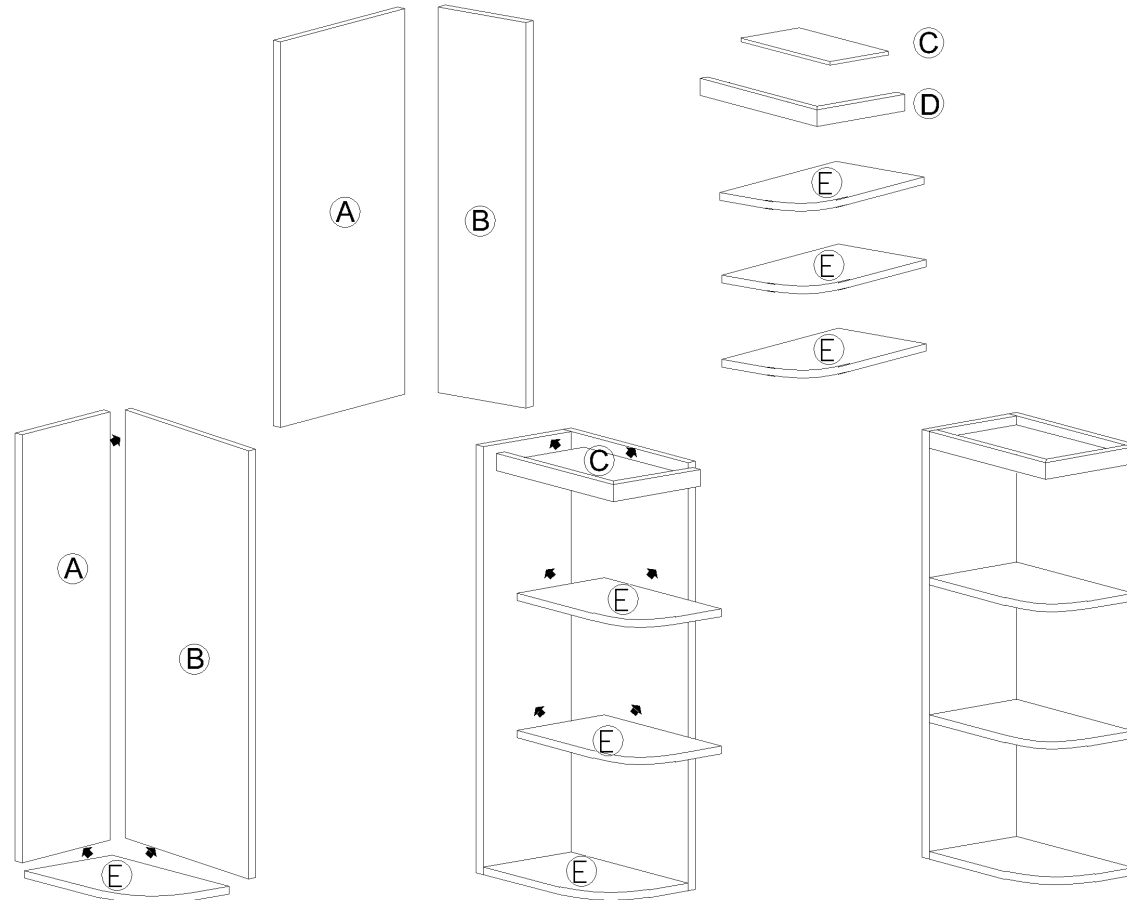
Note: 30" and 36" Height Cabinets Have 2x Shelves (Shown in Diagram)
42" Height Cabinet Has 3x Shelves

6. Framed Open End Shelves

Assembling Instruction for Framed Wall Open End Shelves

AVAILABLE TYPE: WOES1230L/R WOES1236L/R WOES1242L/R

- A: Back Panel
- B: Side panel
- C: Top Panel
- D: Face Frame
- E: Shelf (NOT Adjustable)



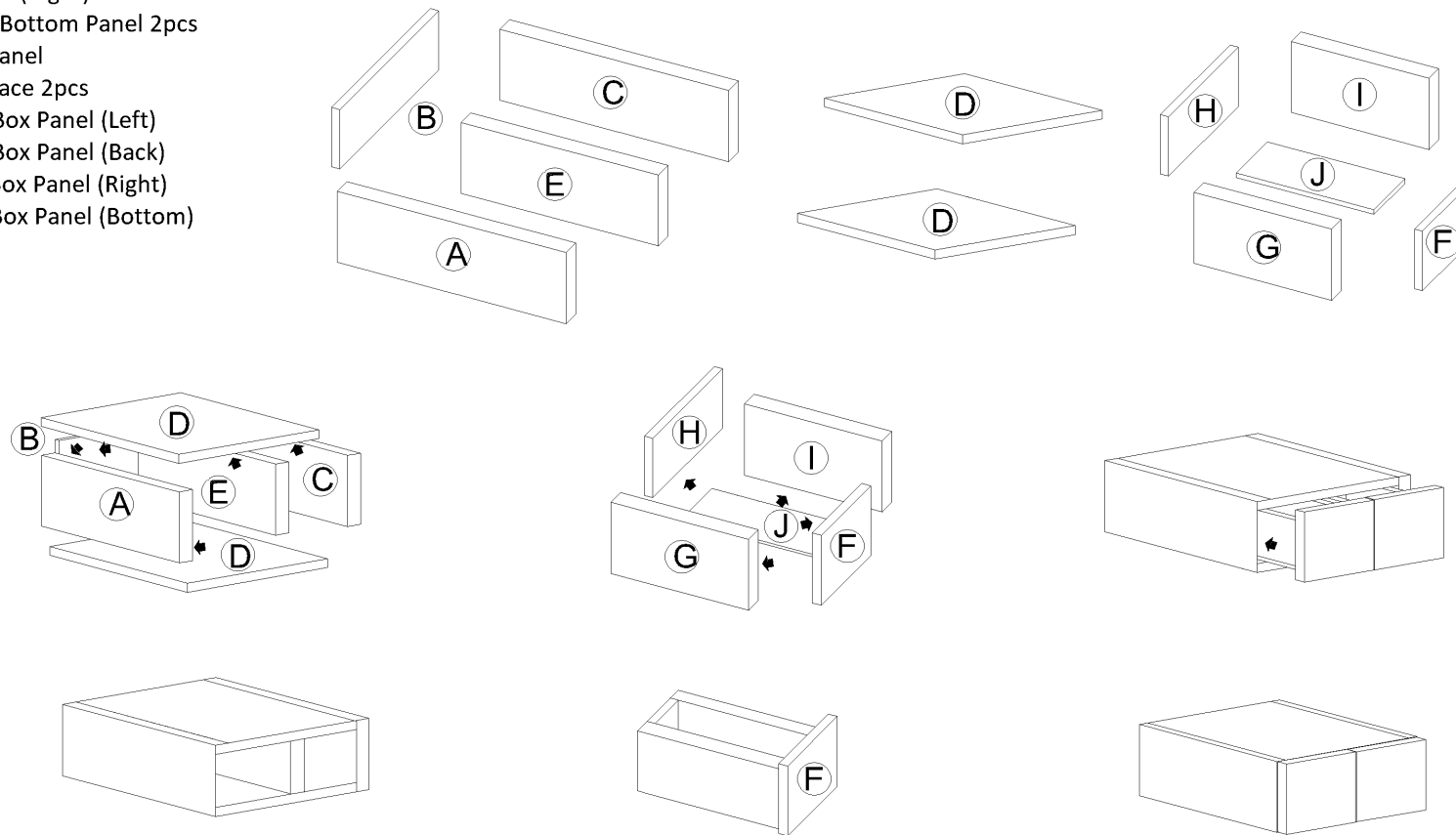
Note: 30" and 36" Height Cabinets Have 2 Shelves
42" Height Cabinet Has 3 Shelves (Shown in Picture)

7. Framed Wall Spice Drawer Cabinet

Assembling Instruction For Framed Wall Spice Drawer Cabinet

AVAILABLE TYPE: WSD1206

- A: Side Panel (Left)
- B: Back Panel
- C: Side Panel (Right)
- D: Top and Bottom Panel 2pcs
- E: Divider Panel
- F: Drawer Face 2pcs
- G: Drawer Box Panel (Left)
- H: Drawer Box Panel (Back)
- I: Drawer Box Panel (Right)
- J: Drawer Box Panel (Bottom)

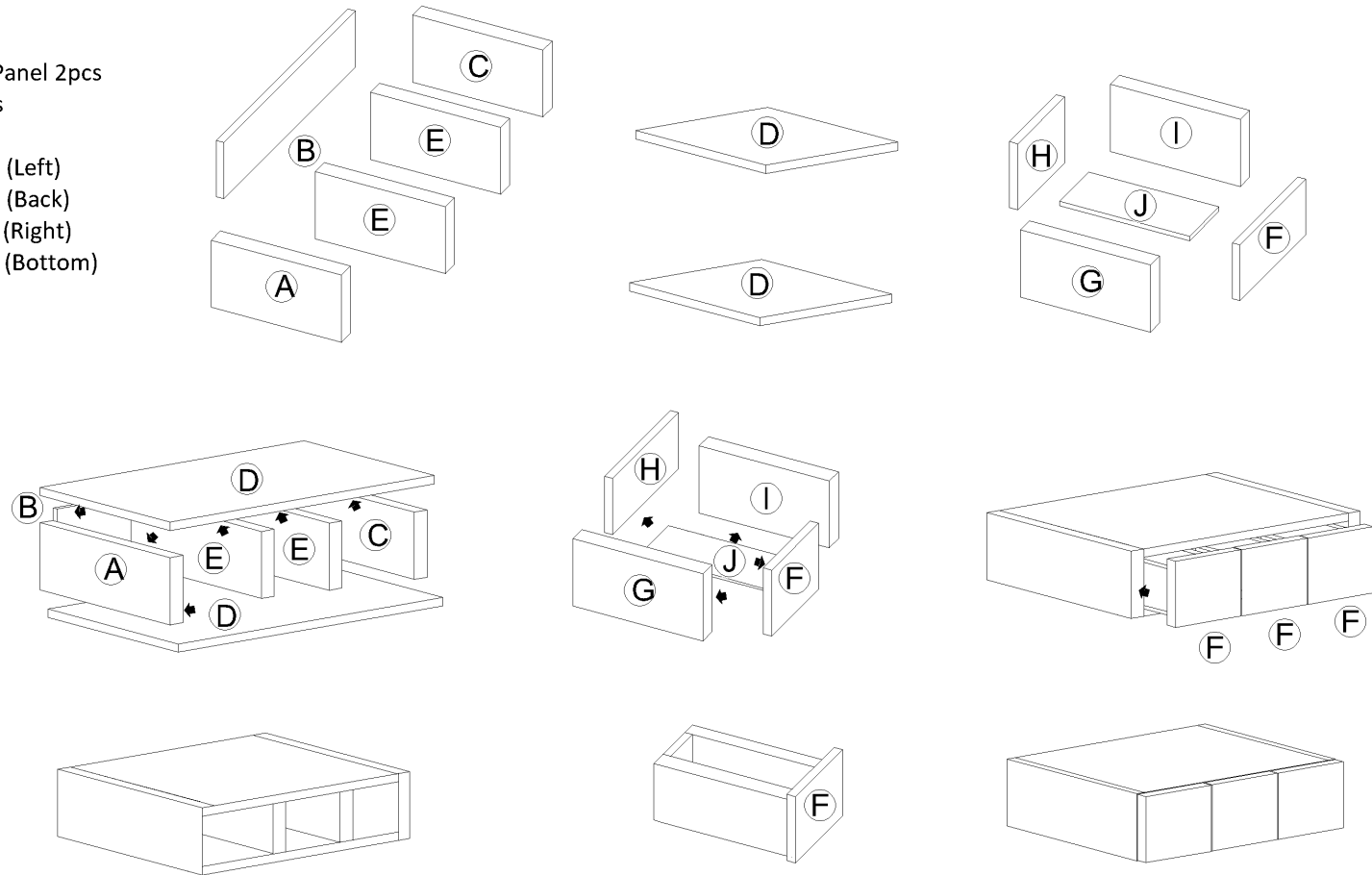


8. Framed Wall Spice Drawer Cabinet

Assembling Instruction For Framed Wall Spice Drawer Cabinet

AVAILABLE TYPE: WSD1806

- A: Side Panel (Left)
- B: Back Panel
- C: Side Panel (Right)
- D: Top and Bottom Panel 2pcs
- E: Divider Panel 2pcs
- F: Drawer Face
- G: Drawer Box Panel (Left)
- H: Drawer Box Panel (Back)
- I: Drawer Box Panel (Right)
- J: Drawer Box Panel (Bottom)



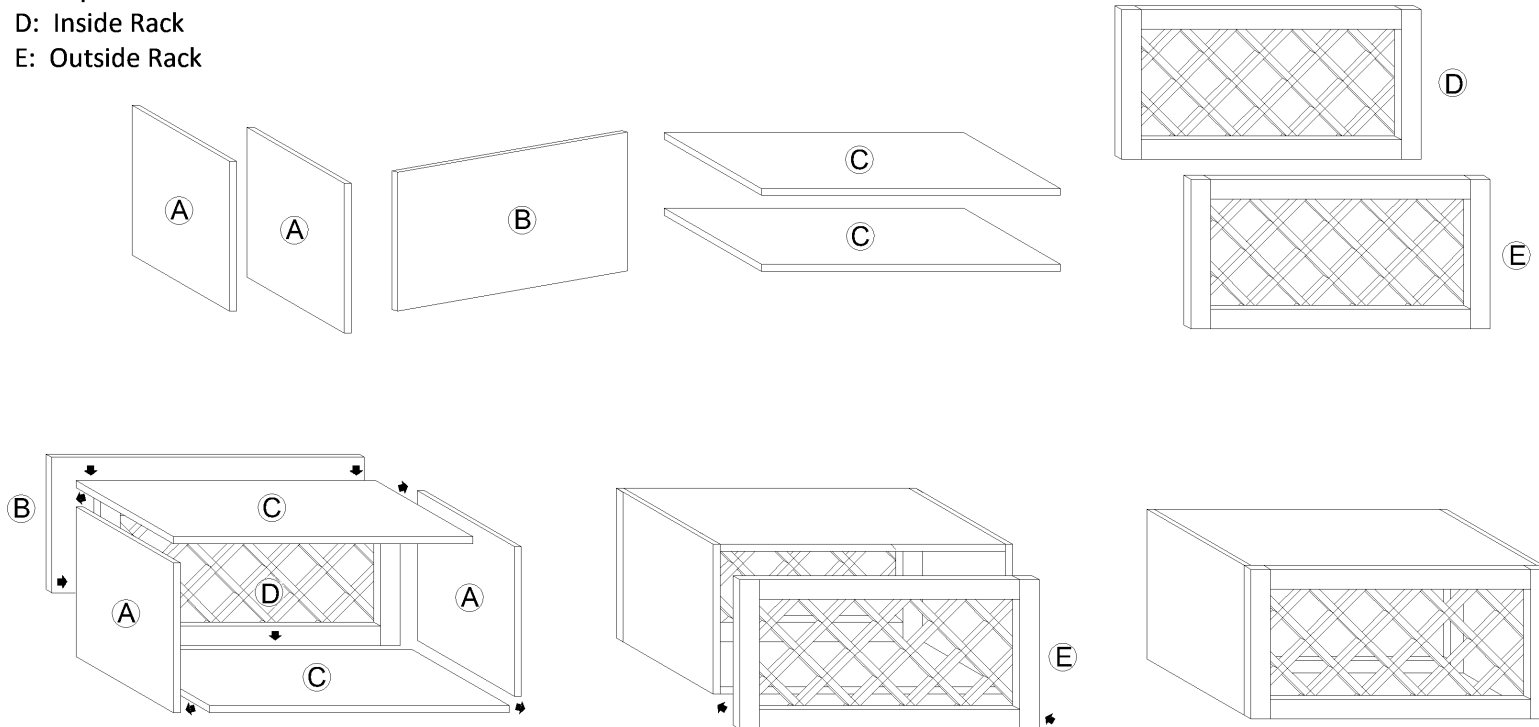
Framed Wine Rack Cabinets

1. Framed Wine Rack Cabinets

Assembling Instruction for Framed Wine Rack Cabinet

AVAILABLE TYPE : WRC3015 WRC3018 WRC 3615 WRC3618

- A: Side Panel
- B: Back Panel
- C: Top and Bottom Panel
- D: Inside Rack
- E: Outside Rack



2. Framed Wall Wine Rack X

Assembling Instruction for Framed Wall Wine Rack X AVAILABLE TYPE: WRX1818 WRX2424

- A: Side Panel 2pcs
- B: Back Panel
- C: Top and Bottom Panel
- D: Face Frame
- E: Rack 2pcs

