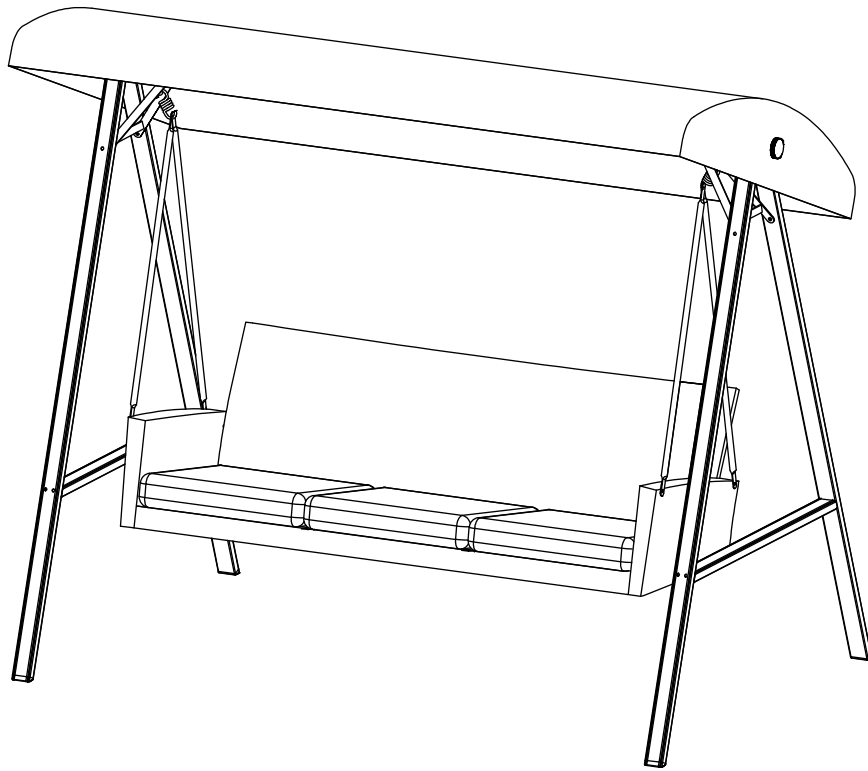




Item # 1001 868 875
Model # GCS00225B

USE AND CARE GUIDE

PLAISTOW 3 PERSON WICKER SWING WITH CANOPY



Questions, problems, missing parts? Before returning to the store,
call Hampton Bay Customer Service.
8 a.m. - 7 p.m., EST, Monday - Friday, 9 a.m. - 6 p.m., EST, Saturday

1-855-HD-HAMPTON

HAMPTONBAY.COM

THANK YOU

We appreciate the trust and confidence you have placed in Hampton Bay through the purchase of this swing. We strive to continually create quality products designed to enhance your home. Visit us online to see our full line of products available for your home improvement needs. Thank you for choosing Hampton Bay!

Table of Contents

Table of Contents	2	Pre-Assembly	3
Safety Information	2	Planning Assembly	3
Product Caution	2	Hardware Included	3
Safety Warnings	2	Package Contents	4
Warranty	2	Assembly	5
What is Covered	2	Care and Cleaning.....	11
What is Not Covered	2		

Safety Information

PRODUCT CAUTION

This swing was made for the explicit purpose of providing outdoor functions and is not to be used as a toy. This product is intended for normal outdoor use; however, the manufacturer recommends storing and / or covering this swing when any formidable / severe weather is approaching. Do not locate the product near open flame. Do not use the product as a support. Do not shake, lean, or climb on the product. Children under the age of 10, near the product, should be supervised by a competent adult at all times. This product is NOT intended for commercial use and will void the warranty.

SAFETY WARNINGS



WARNING: Weight limit for the swing chair is 250 lbs (113.39 kg) for each seat.



CAUTION: Do not locate the product near any heat source.



WARNING: Please keep children out of the assembly area before assembly.



CAUTION: Never use this product as a support. Do not shake, lean or climb on the swing at any time.



WARNING: This swing unit is heavy, and may require two adults for safe assembly.



WARNING: Do not shake from side to side when using the product.

Warranty

1 YEAR FRAME AND 1 YEAR FABRIC LIMITED WARRANTY

WHAT IS COVERED

We warrant the frame and fabric to be free of manufacturing defects to the original purchaser for one year.

WHAT IS NOT COVERED

It remains the customer's responsibility for freight and packaging charges to and from our service center. This warranty does not cover commercial use, hardware, acts of nature, fire, freezing, and abusive use. In addition, purchased parts are not covered under this warranty. We reserve the right to make substitutions with similar merchandise, if the model in question is no longer in production.

Contact the Customer Service Team at 1-855-HD-HAMPTON or visit www.HamptonBay.com.

Pre-Assembly

PLANNING ASSEMBLY

Read all instructions before assembly.

To avoid damaging this product, assemble it on a soft, non-abrasive surface such as carpet or cardboard.

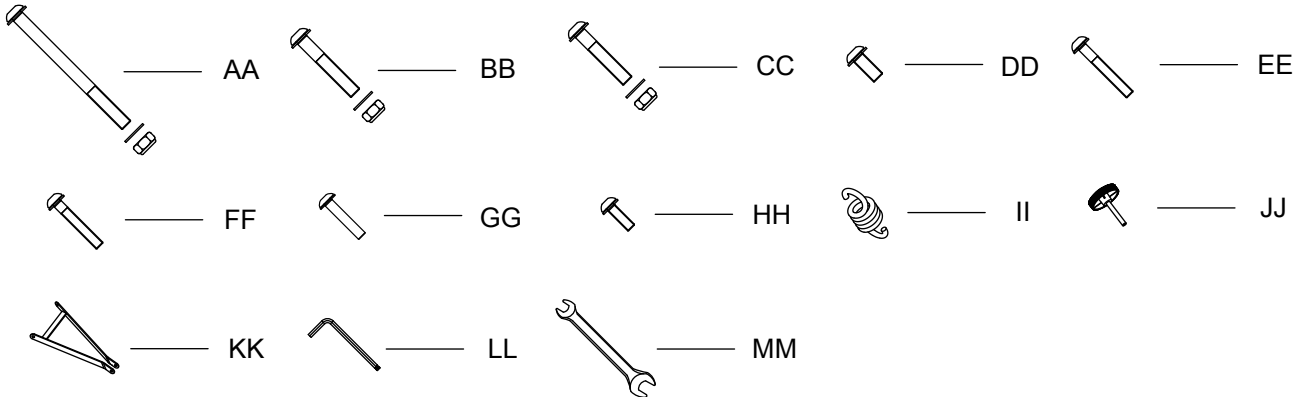


NOTE: More than one person may be required to assemble this product.

HARDWARE INCLUDED



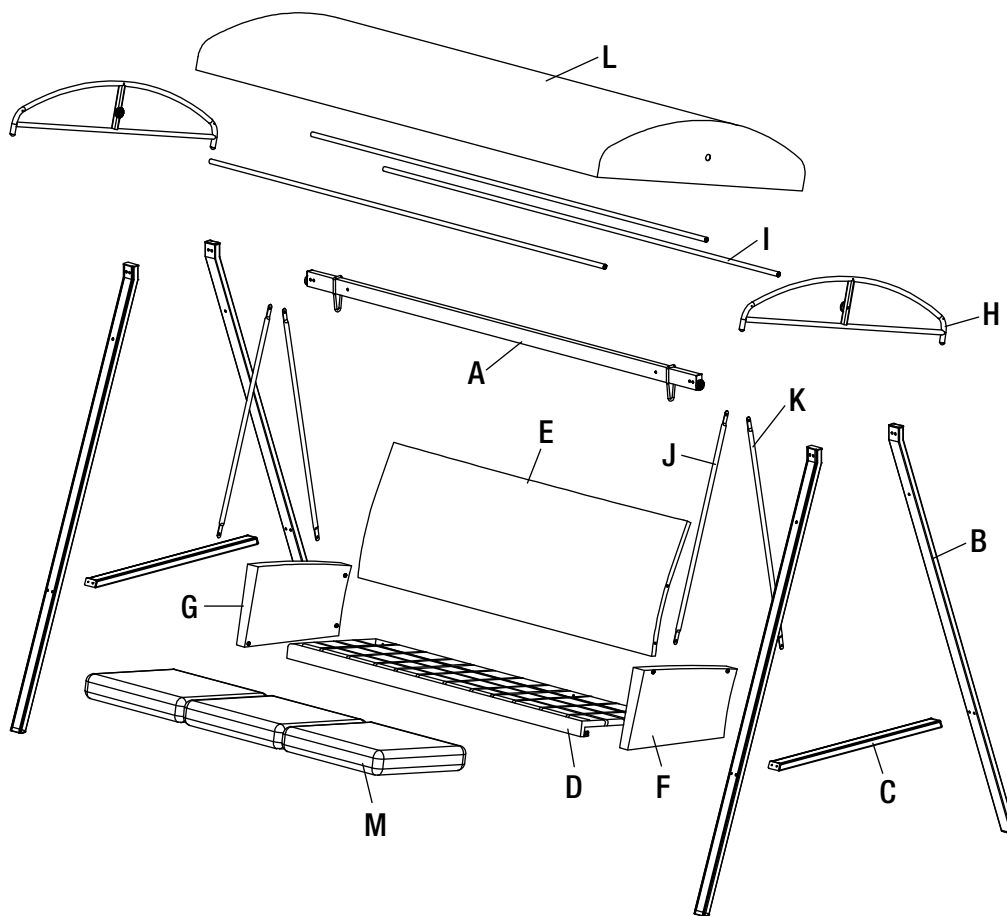
NOTE: Hardware not shown to actual size.



Part	Description	Quantity
AA	M8x100 combination bolt, washer and nut	4+1
BB	M8x50 combination bolt, washer and nut	2+1
CC	M8x45 combination bolt, washer and nut	4+1
DD	M6x20 combination bolt	4+1
EE	M6x45 combination bolt	4+1
FF	M6x40 combination bolt	12+1
GG	M6x30 bolt	6+1
HH	M6x20 combination bolt	2+1
II	Hook	2
JJ	Knob	2
KK	Support bar	2
LL	Hex wrench	1
MM	Wrench	1

Pre-Assembly (continued)

PACKAGE CONTENTS

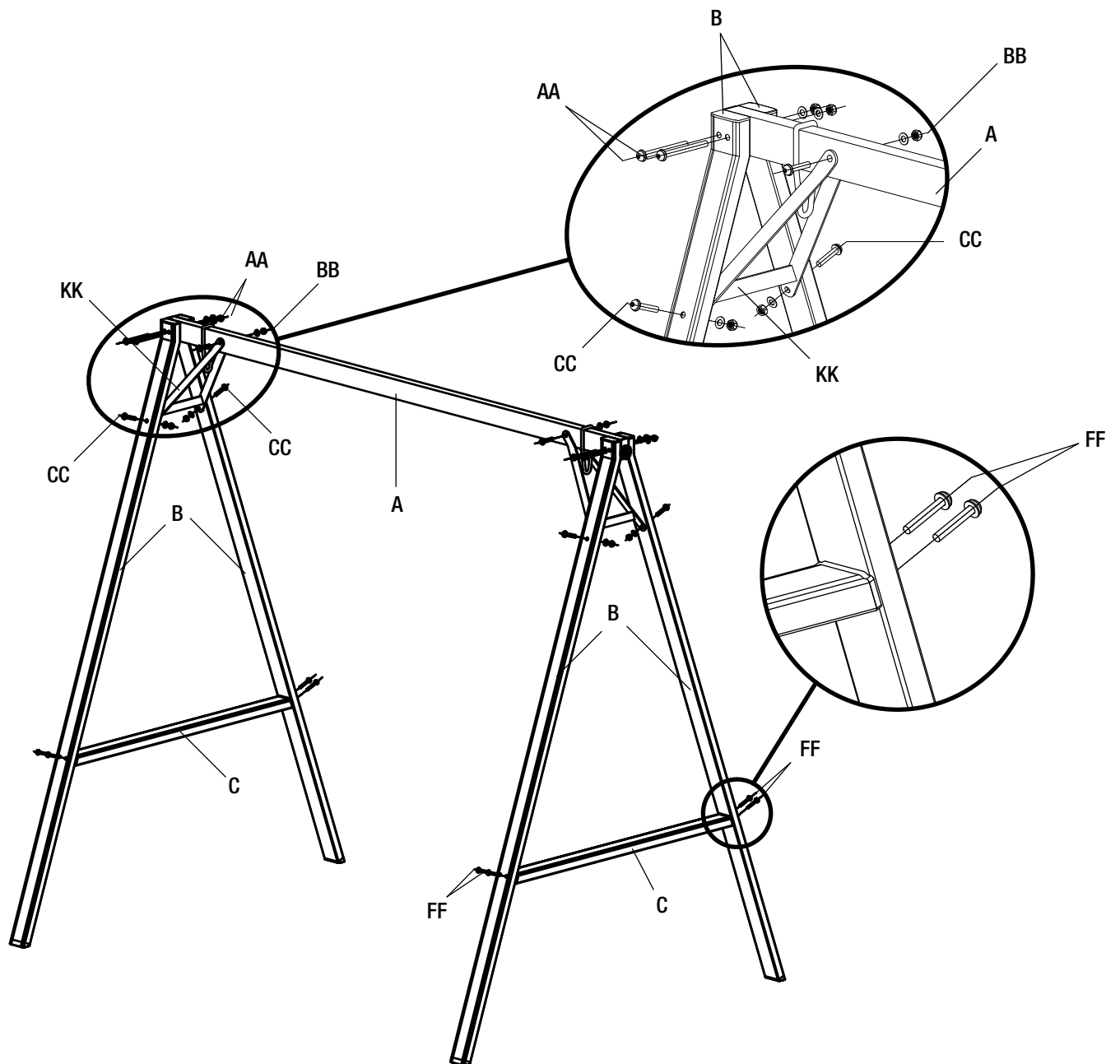


Part	Description	Quantity
A	Top bar	1
B	Leg	4
C	Side bar	2
D	Seat	1
E	Back	1
F	Left arm	1
G	Right arm	1
H	Curved bar	2
I	Support bar	3
J	Short swing pipe	2
K	Long swing pipe	2
L	Canopy	1
M	Seat cushion	3

Assembly

1 ASSEMBLING THE SWING FRAME

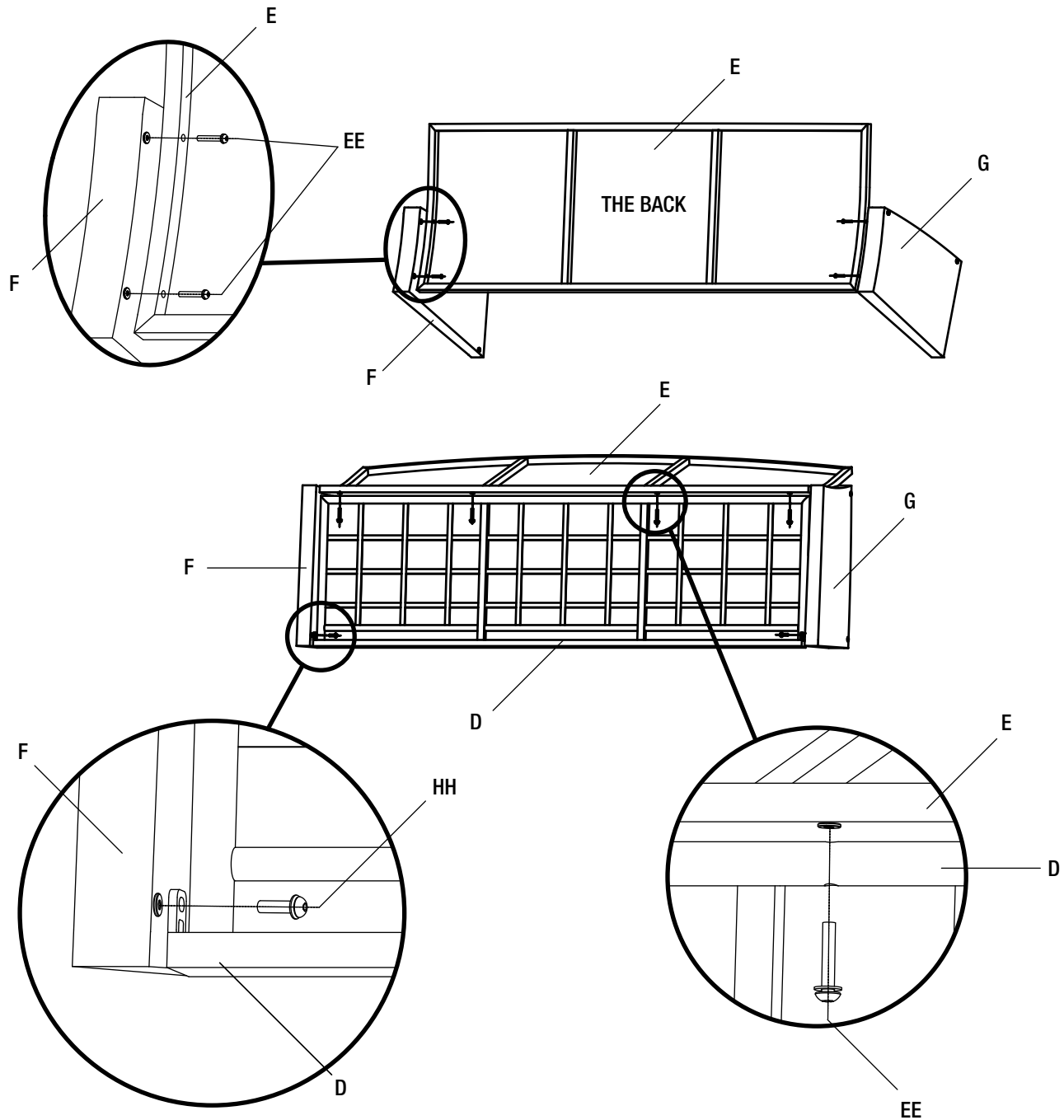
- Attach two sets of the legs (B) to the top bar (A) using M8x100 combination bolts, washers and nuts (AA).
- Attach the support bars (KK) to the legs (B) and the top bar (A) using M8x45 combination bolts, washers and nuts (CC) and M8x50 combination bolts, washers and nuts (BB).
- Attach the two side bars (C) to the legs (B) using M6x40 combination bolts (FF).
- Once all of the bolts are in place, fully tighten the bolts.



Assembly (continued)

2 ATTACHING THE ARMS AND THE SEAT TO THE BACK

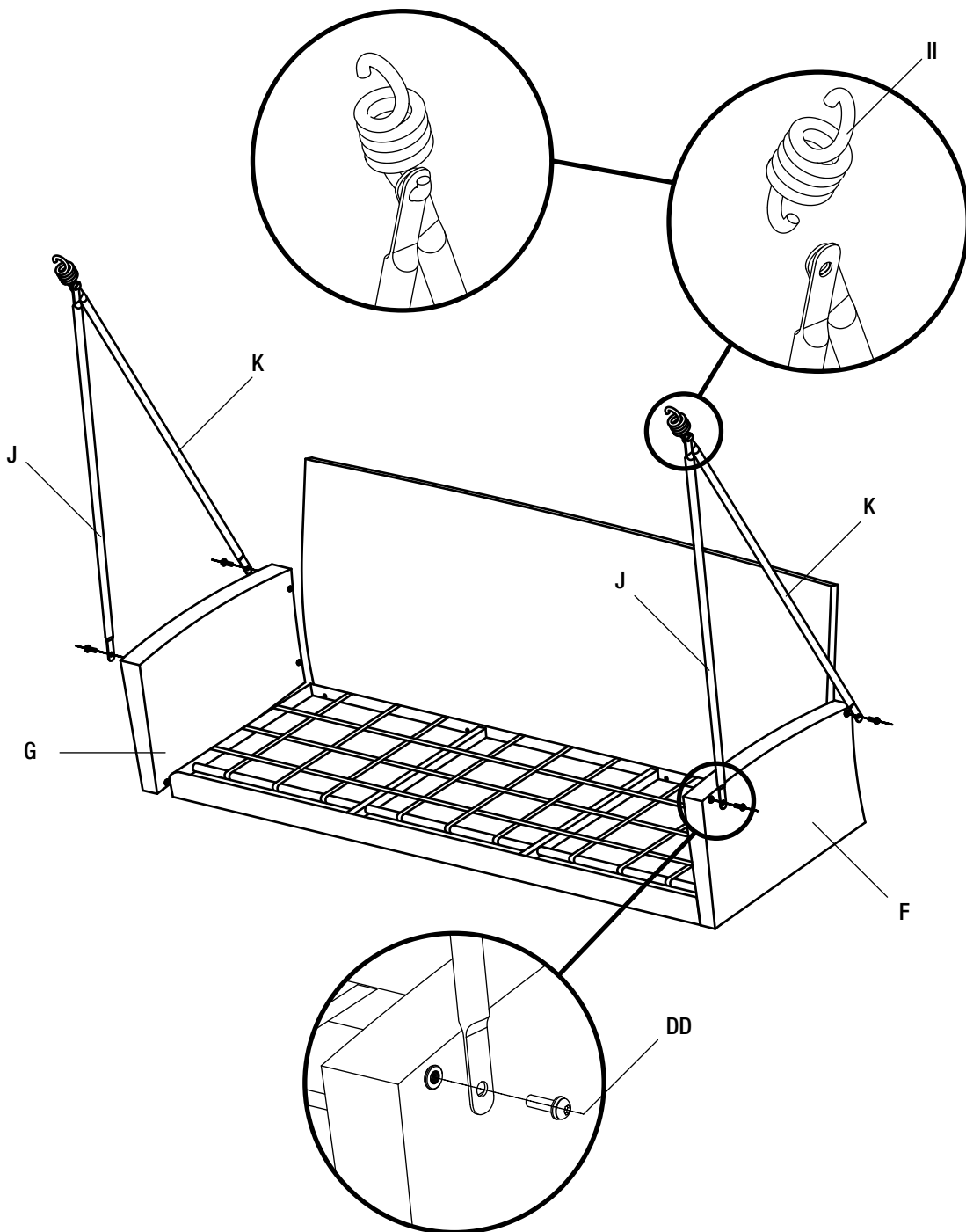
- Attach the left and the right arm (F&G) to the back (E) using M6x40 combination bolts (FF).
- Attach the seat (D) to the arms (F&G) using M6x20 combination bolts (HH).
- Connect the seat (D) to the back (E) using M6x45 combination bolts (EE).
- Once all of the bolts are in place, fully tighten all of the bolts.



Assembly (continued)

3 ATTACHING THE SWING PIPES TO THE ARMS

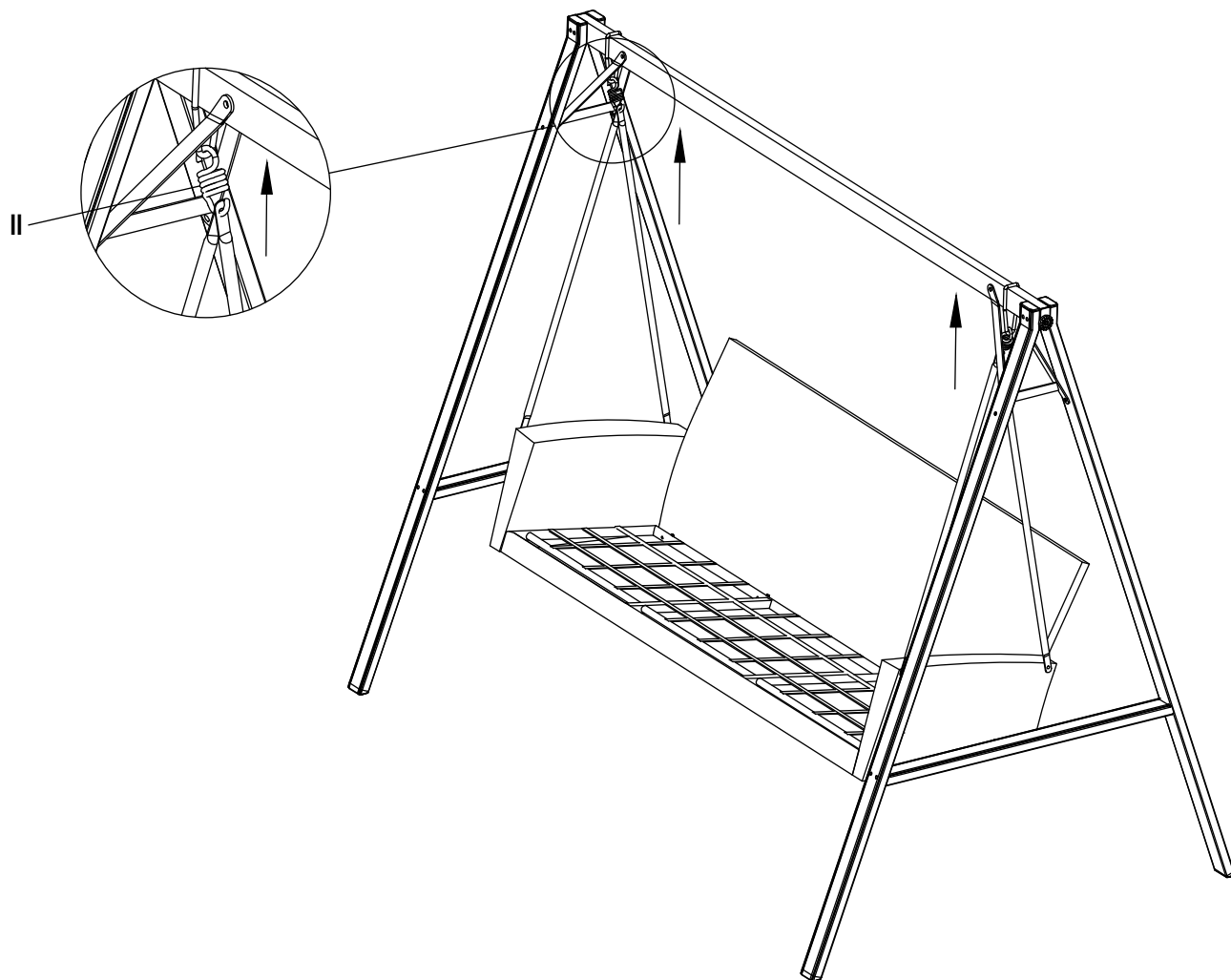
- Attach the short and the long swing pipes (J&K) to the left and the right arms (F&G) using M8x20 combination bolts (DD).
- Connect the top of the two swing pipes (J&K) together using the hooks (II).
- Once all of the bolts are in place, fully tighten the bolts.



Assembly (continued)

4 ATTACHING THE SEAT TO THE SWING FRAME

- Attach the assembled seat to the swing frame using the hooks (II).



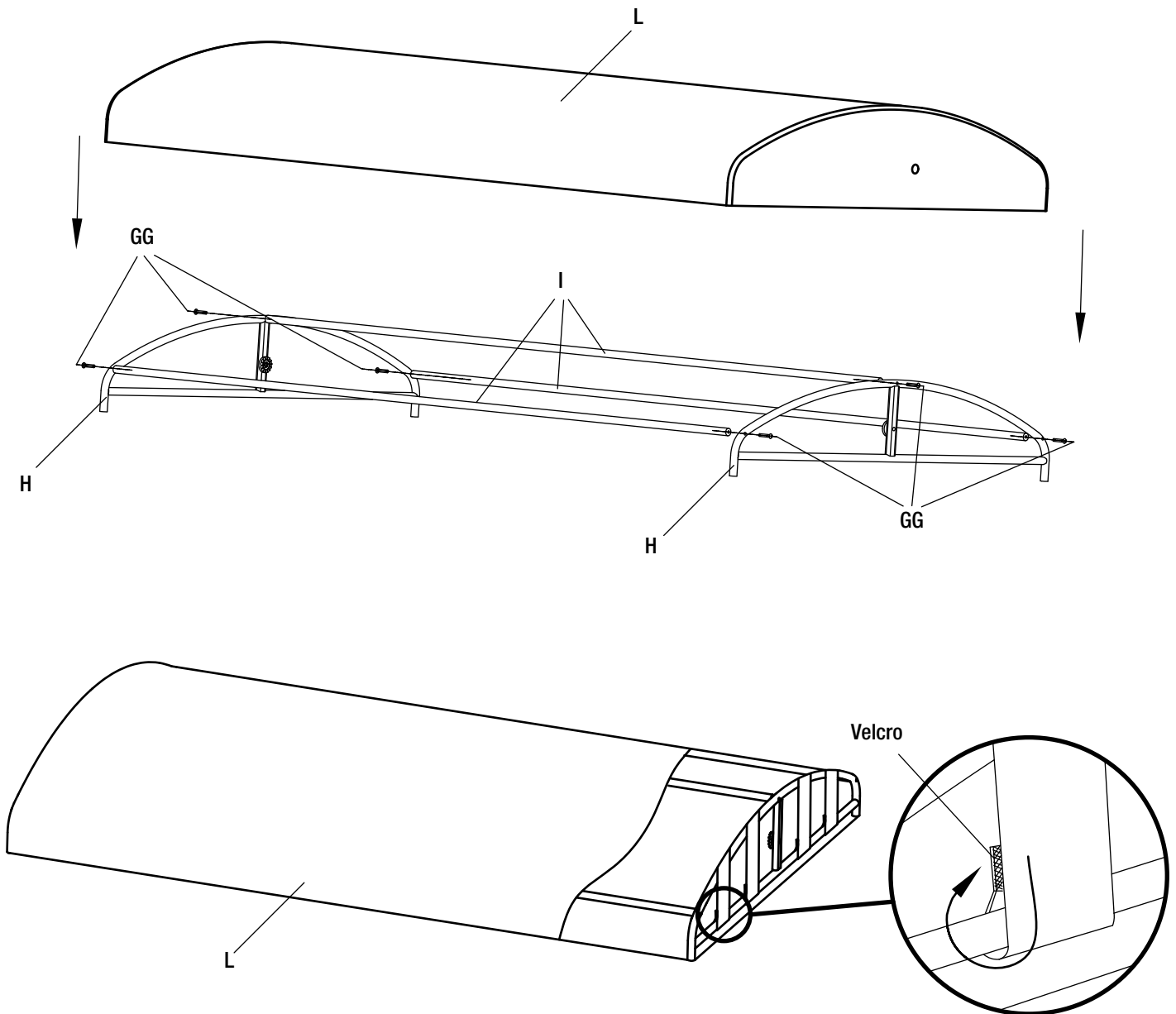
Assembly (continued)

5 ASSEMBLING THE TOP FRAME

- Attach the two curved bars (H) to the support bars (I) using M6x30 bolts (GG).
- Fully tighten all of the bolts on the top frame using the hex wrench (LL) before placing the canopy (L).
- Place the canopy (L) on the assembled top frame and tie the canopy (L) to the curved bars (H) by affixing the Velcro.



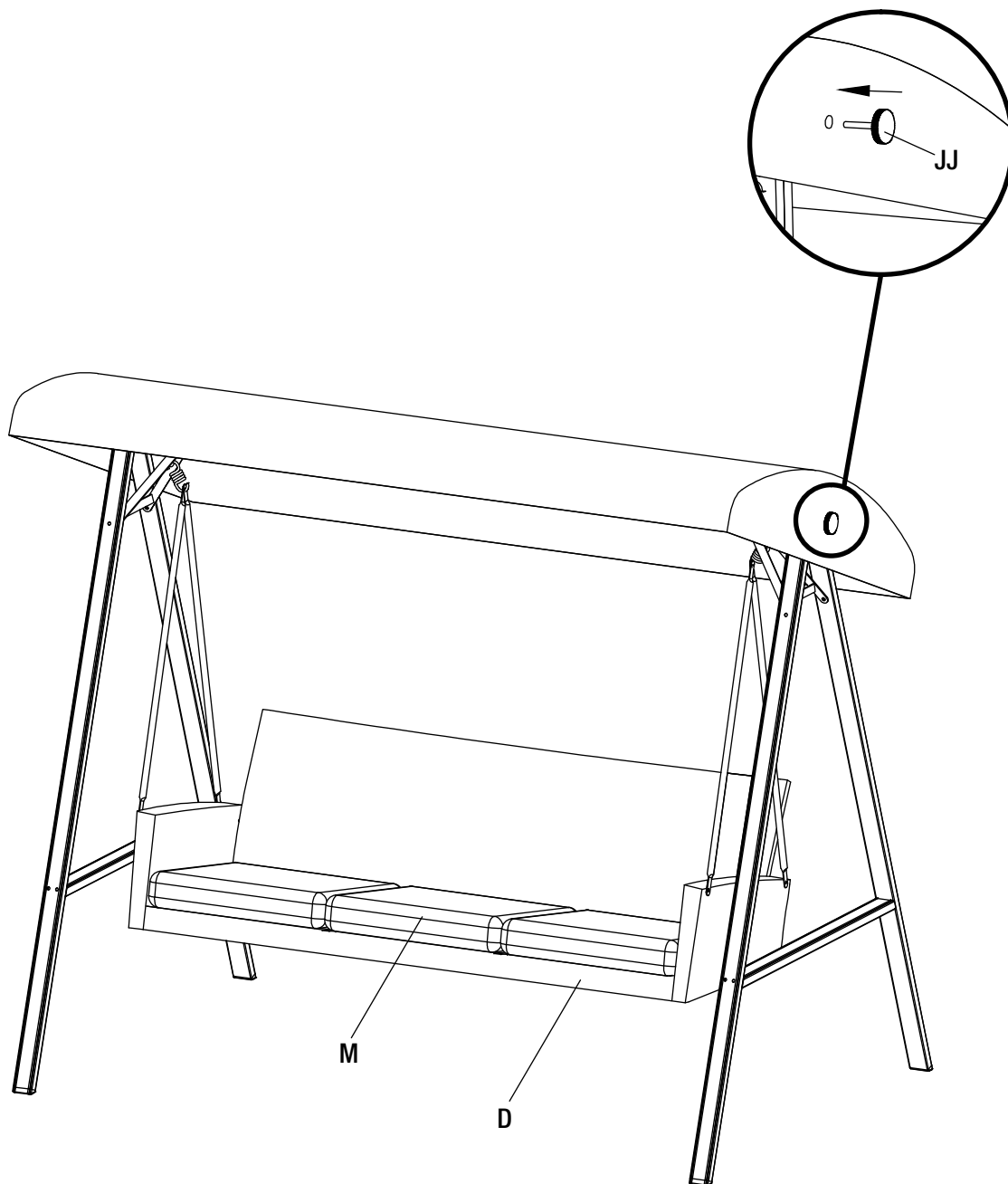
NOTE: Pay attention on the direction of the curved bars (H).



Assembly (continued)

6 ATTACHING THE TOP FRAME TO THE TOP BAR

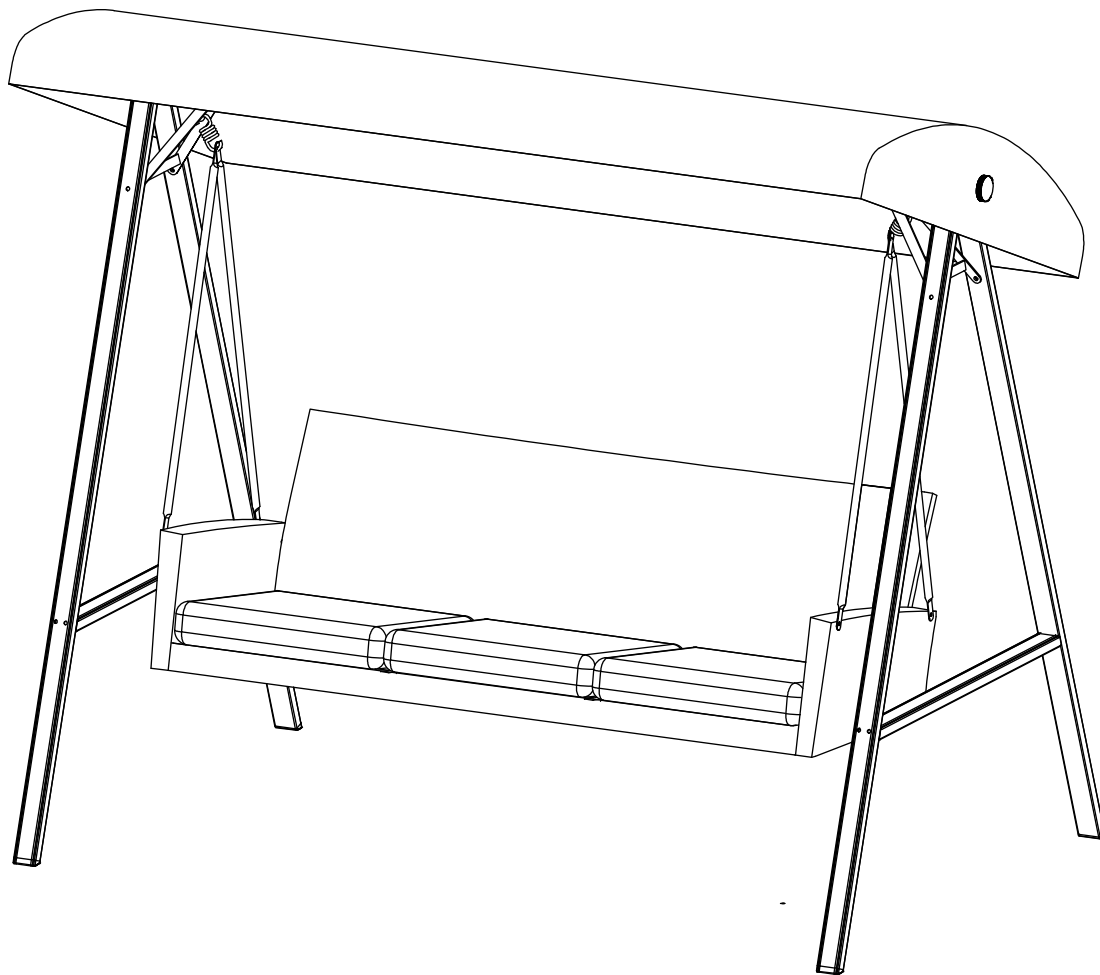
- Attach the assembled top frame to the top bar (A) using the knobs (JJ) on both sides.
- Adjust the angle of the top frame and fully tighten the knobs (JJ) in the clockwise direction.
- Place the seat cushions (M) on the seat (D).



Assembly (continued)

7 TIGHTENING THE BOLTS

- Make sure that the swing is tightly assembled and stable before use.



Care and Cleaning

- For best results, clean the frame and fabric with a damp cloth and dry thoroughly. This will help prevent mildew by removing dirt particles that may accumulate.
- Do not clean with abrasive materials, bleach, or solvents.
- Store the swing in a dry, sheltered place when not in use.
- Keep the swing away from fire, extreme heat, freezing conditions, and inclement weather such as rain, hail, sleet, snow, or wind.



Questions, problems, missing parts? Before returning to the store,
call Hampton Bay Customer Service.
8 a.m. - 7 p.m., EST, Monday - Friday, 9 a.m. - 6 p.m., EST, Saturday

1-855-HD-HAMPTON

HAMPTONBAY.COM

Retain this manual for future use.