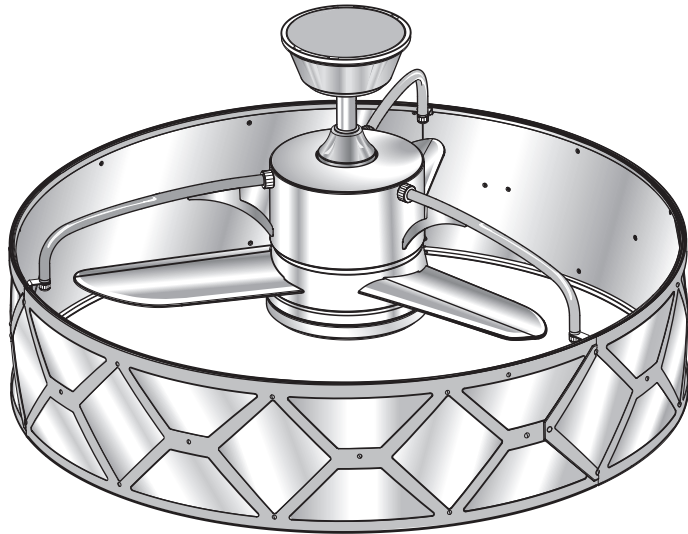


**Lancaster 36 in.
Enclosed Ceiling Fan**

**Lancaster de 36 po
Ventilateur de plafond**

**Lancaster de techo cerrado
Anderson de 36 pulg.**

CF13650



**Lexington 36 in.
Enclosed Ceiling Fan**

**Lexington de 36 po
Ventilateur de plafond**

**Lexington de techo cerrado
Anderson de 36 pulg.**

CF23650

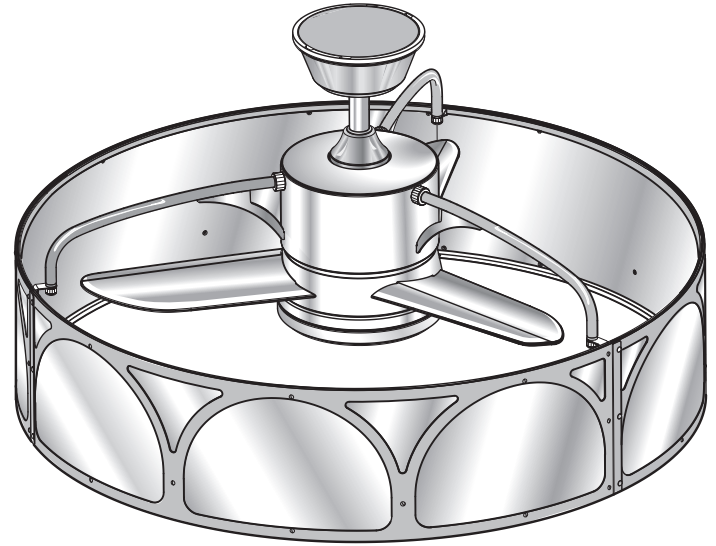


TABLE OF CONTENTS

- Important Safety Instructions 2
- Symbols 3
- Package Contents 4-5
- Tools Needed 5
- Product Specifications 6
- Installation 6-17
- Operation 18-19
- Maintenance 20
- Troubleshooting 21
- Accessories 21
- Warranty 22
- Parts Ordering and Service Back Page

⚠ WARNING :

To reduce the risk of injury, the user must read and understand the operator's manual before using this product.

TABLE DES MATIÈRES

- Instructions importantes concernant la sécurité 2
- Symboles 3
- Contenu de l'emballage 4-5
- Outils nécessaires 5
- Fiche technique 6
- Installation 6-17
- Utilisation 18-19
- Entretien 20
- Dépannage 21
- Accessoires 21
- Garantie 22
- Commande de pièces et dépannage Page arrière

⚠ AVERTISSEMENT :

Pour réduire les risques de blessures, l'utilisateur doit lire et veiller à bien comprendre le manuel d'utilisation avant d'employer ce produit.

ÍNDICE DE CONTENIDO

- Instrucciones de seguridad importantes ... 2
- Símbolos 3
- Contenido del paquete 4-5
- Herramientas necesarias 5
- Especificaciones del producto 6
- Instalación 6-17
- Funcionamiento 18-19
- Mantenimiento 20
- Solución de problemas 21
- Accesorios 21
- Garantía 22
- Pedidos de piezas y servicio Pág. posterior

⚠ ADVERTENCIA:

Para reducir el riesgo de lesiones, el usuario debe leer y comprender el manual del operador antes de usar este producto.

**SAVE THIS MANUAL FOR
FUTURE REFERENCE**

**CONSERVER CE MANUEL
POUR FUTURE RÉFÉRENCE**

**GUARDE ESTE MANUAL
PARA FUTURAS CONSULTAS**

IMPORTANT SAFETY INSTRUCTIONS

WARNING

Read all safety warnings and all instructions.
Failure to follow the warnings and instructions may result in electric shock, fire and/or serious injury.

READ AND SAVE THESE INSTRUCTIONS

- Use this unit only in the manner intended by the manufacturer. If you have questions, contact the manufacturer.
 - Before beginning installation, read and understand all instructions and safety information. Thoroughly review all assembly information and drawings and be sure you understand the assembly requirements.
 - Before installing, servicing, or cleaning unit, switch power off at service panel and lock the service disconnecting means to prevent power from being switched on accidentally. When the service disconnecting means cannot be locked, securely fasten a prominent warning device, such as a tag, to the service panel.
 - Installation work and electrical wiring must be done by qualified person(s) in accordance with all applicable codes and standards, including fire-rated construction.
 - Installation and wiring must be in accordance with the National Electrical Code, ANSI/NFPA 70 and all local codes. If you are unfamiliar with or unable to comply with these requirements, have ceiling fan installed by a licensed electrician.
 - When cutting or drilling into wall or ceiling, do not damage electrical wiring and other hidden utilities.
 - Do not bend the blade brackets when cleaning the fan. Do not insert foreign objects in between rotating fan blades.
-

WARNING:

To reduce the risk of personal injury, do not bend the blade brackets when installing the brackets, balancing the blades, or cleaning the fan. Do not insert foreign objects in between rotating fan blades.

- Mount ceiling fan directly to a metal outlet box marked “Acceptable for Fan Support of 35 lbs. or less. Use mounting screws provided with the outlet box.

- When using an existing outlet box, make sure it is securely attached to the building structure and can support the full weight of the fan.
-




WARNING:

To reduce the risk of fire, electric shock, or personal injury, mount to outlet box marked “Acceptable for Fan Support of 35 lbs. or Less” and use mounting screws provided with the outlet box. Most outlet boxes commonly used for the support of lighting fixtures are not acceptable for fan support and may need to be replaced. Consult a qualified electrician if in doubt.





- This fan is not designed for use with separate switches to control the light and fan functions. Both functions are controlled by the remote control.
- Do not connect this fan to a dimmer switch. Since all fan and light functions are controlled by the remote control included with the fan, connecting to a dimmer switch can cause erratic performance and damage to the fan.
- To reduce the risk of injury to persons, install ceiling fan so that the blade guard is at least 7 feet above the floor.
- Ensure power is off before beginning installation. After making the wire connections, wires should be spread apart with the grounded conductor and the equipment-grounding conductor on one side of the outlet box and the ungrounded conductor on the other side of the outlet box. Splices should be turned upward and pushed carefully up into the outlet box.
- Always turn fan off and allow to come to a complete stop before reversing blade direction.
- When installation is complete, make sure all connections are secure to prevent ceiling fan from falling.
- **Save these instructions.** Refer to them frequently and use them to instruct others who may use this product. If you loan someone this product, loan them these instructions also.

SYMBOLS

The following signal words and meanings are intended to explain the levels of risk associated with this product.

SYMBOL	SIGNAL	MEANING
	DANGER:	Indicates a hazardous situation, which, if not avoided, will result in death or serious injury.
	WARNING:	Indicates a hazardous situation, which, if not avoided, could result in death or serious injury.
	CAUTION:	Indicates a hazardous situation, that, if not avoided, may result in minor or moderate injury.
	NOTICE:	(Without Safety Alert Symbol) Indicates information considered important, but not related to a potential injury (e.g. messages relating to property damage).

Some of the following symbols may be used on this product. Please study them and learn their meaning. Proper interpretation of these symbols will allow you to operate the product better and safer.

SYMBOL	NAME	DESIGNATION/EXPLANATION
	Safety Alert	Indicates a potential personal injury hazard.
	Read Operator's Manual	To reduce the risk of injury, user must read and understand operator's manual before using this product.
	Eye Protection	Always wear eye protection with side shields marked to comply with ANSI Z87.1.
	Keep Away From Small Children	Dispose of used button cell batteries immediately.
V	Volts	Voltage
A	Amperes	Current
Hz	Hertz	Frequency (cycles per second)
W	Watt	Power
min	Minutes	Time
~	Alternating Current	Type of current
n	Rated Speed	Maximum rotational speed
.../min	Per Minute	Revolutions, strokes, surface speed, orbits etc., per minute

PACKAGE CONTENTS

⚠ WARNING:

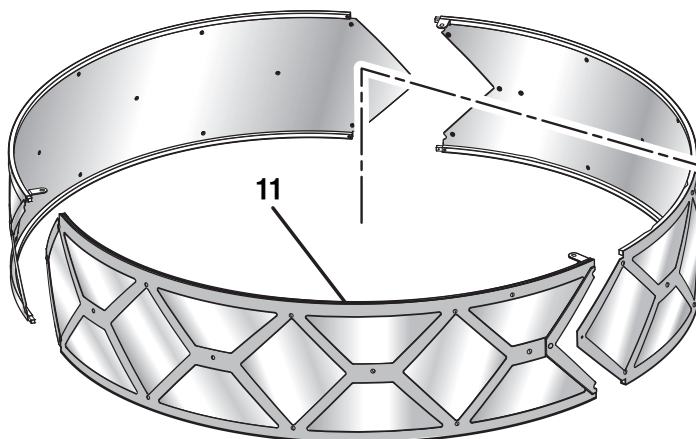
Items in this section are not assembled to the product by the manufacturer and require installation. Use of a product that may have been improperly assembled could result in serious personal injury.

- Remove all parts from the package, and verify that everything listed in this **Package Contents** section are present.
- Inspect the product carefully to make sure no breakage or damage occurred during shipping.
- Do not discard the packing material until you have carefully inspected and satisfactorily operated the product.
- If any parts are damaged or missing, please call 1-877-258-9740 for assistance.

CEILING FAN PARTS AND ACCESSORIES

Part	Description	Quantity
1	Mounting bracket assembly*	1
2	Pivot ball/downrod assembly	1
3	Canopy*	1
4	Canopy screw cover ring*	1
5	Motor housing cap	1
6	Support arms	3
7	Motor assembly	1
8	Blades	3
9	LED light panel	1
10	Light lens	1
11	Light shade panels	3
12	Remote control	1
13	CR2032 button cell battery	1
14	Remote control wall mount	1
15	Remote receiver	1

*For packing purposes, the mounting bracket assembly, canopy, and canopy screw cover ring are assembled together.



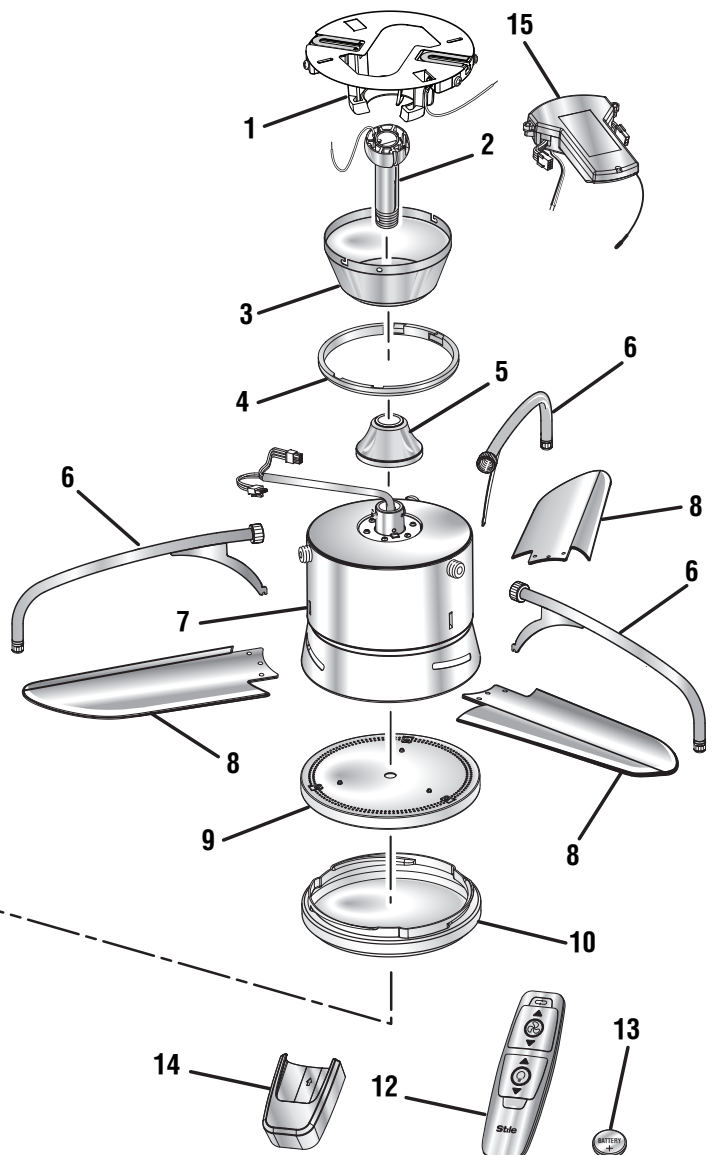
⚠ WARNING:

If any parts are damaged or missing, do not operate this product until the parts are replaced. Use of this product with damaged or missing parts could result in serious personal injury.

⚠ WARNING:

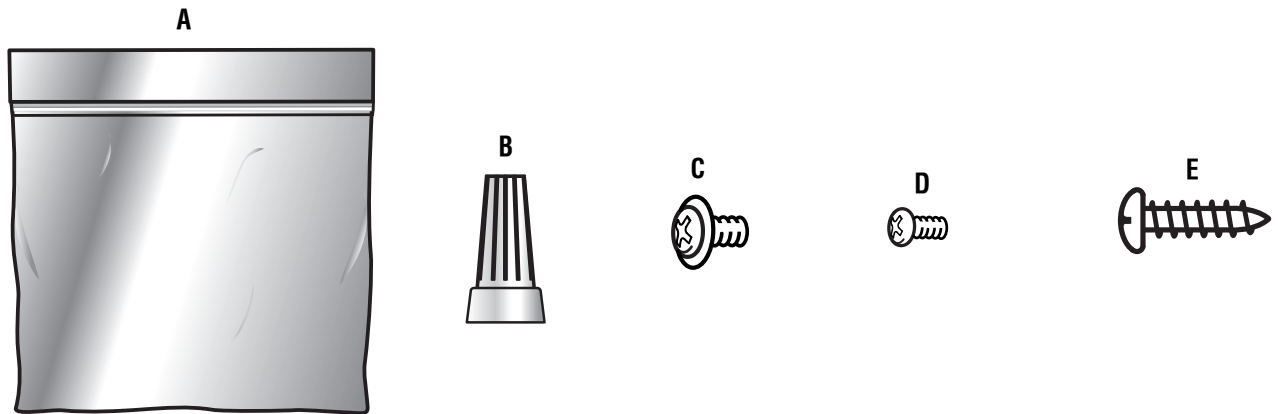
Do not attempt to modify this product or create accessories not recommended for use with this product. Any such alteration or modification is misuse and could result in a hazardous condition leading to possible serious personal injury.

NOTE: For purposes of the illustrations in the rest of this manual, only the Lancaster ceiling fan is shown. The Lexington fan looks different but installs the same way.



PACKAGE CONTENTS

CEILING FAN HARDWARE



Part	Description of Enclosed Installation Hardware	Quantity
A	Canada installation hardware bag	1
B	Wire nuts	4
C	Blade screws (M5)	9
D	Light shade screws (M3)	6
E	Remote control wall mount screws	2

TOOLS NEEDED



Phillips screwdriver



Step ladder



Wire cutters/Strippers

Flat head screwdriver



Electrical tape



PRODUCT SPECIFICATIONS

Speeds (RPM)Hi - 270/min
Med - 180/min
Low - 130/min
Airflow (cubic feet per minute).....Hi - 2,500 CFM
Med - 1,560 CFM
Low - 1,050 CFM
LED Color TemperatureWarm White to Daylight
(2700K–5000K)

Input 120 V, AC only, 60 Hz, 0.58 Amps Max.
Remote Control Battery..... CR2032 Button Cell
Net Weight..... approx. 24 lbs.
Ceiling Clearance Distance 12-3/8 in.
Ceiling Mount Options..... Angled, Standard

INSTALLATION

BEFORE YOU BEGIN

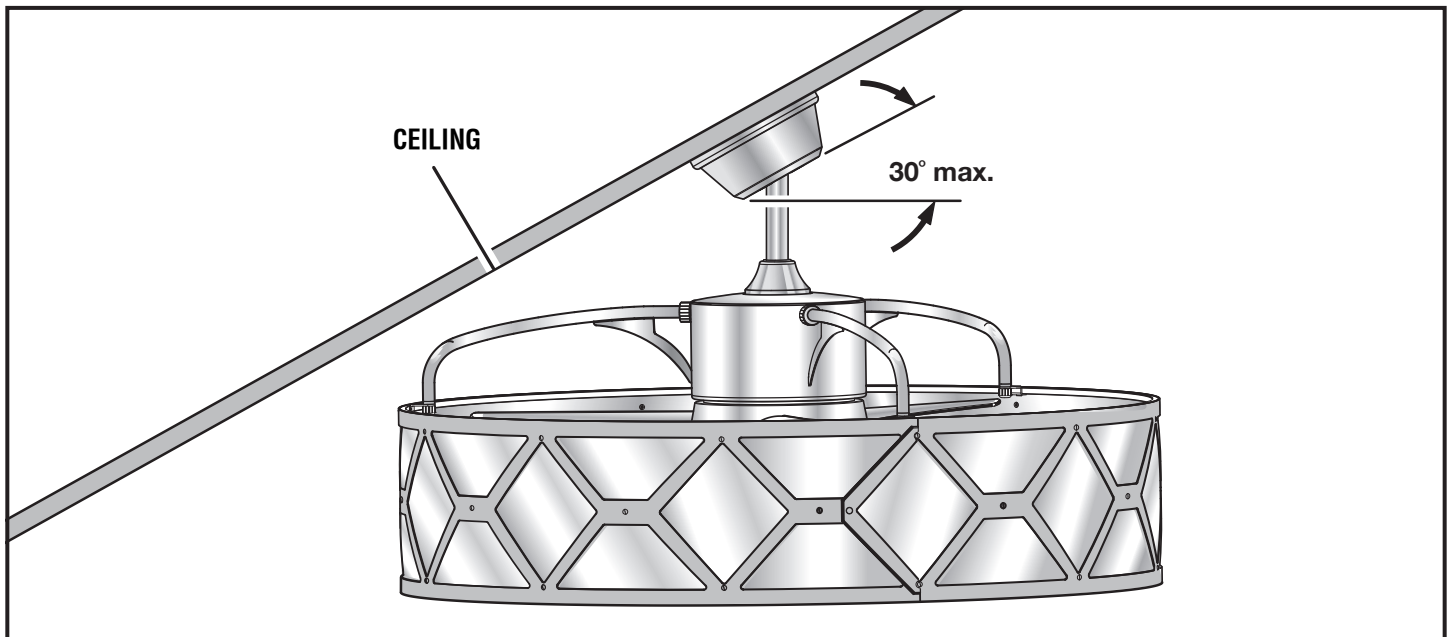
⚠ WARNING:

To reduce the risk of fire, electric shock, or personal injury, turn off power to room and wall switch by removing fuses or turning off circuit breakers as needed before beginning installation.

⚠ WARNING:

Mount fan only to a metal outlet box marked acceptable for fan support and use only the mounting screws provided with the outlet box. Plastic outlet boxes and outlet boxes commonly used for the support of lighting fixtures may not be acceptable for fan support and may need to be replaced. If you are unsure whether your outlet box is appropriate or uncertain about the proper method for mounting your ceiling fan, contact a qualified electrician.

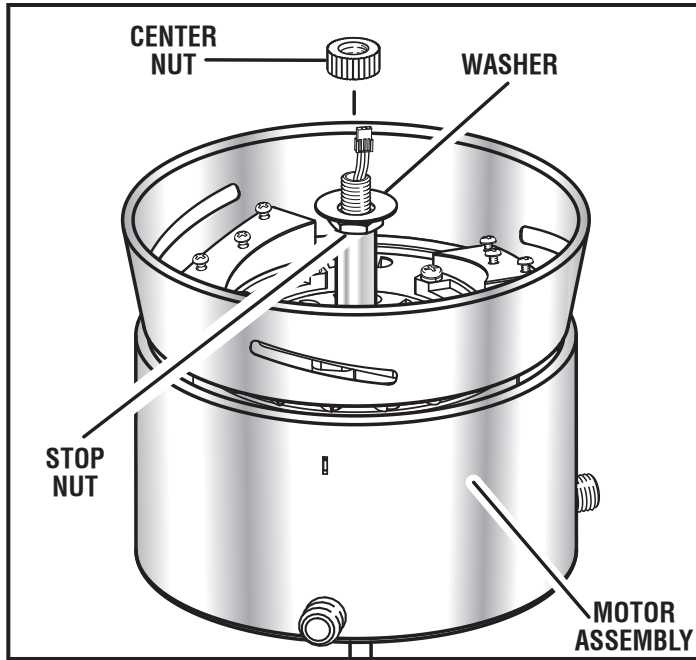
- If your installation site does not have an existing UL-listed metal outlet box, one must be installed before proceeding. Make sure box is mounted directly to the building structure using ceiling joist screws provided with the box.
 - Once installed, there must be at least 7 ft. clearance between the bottom of the ceiling fan and the floor.
 - Ceilings taller than 8 ft. may benefit from an extended-length downrod to achieve the best results.
- NOTE:** If using an extended-length downrod, you will also need a wiring extension cable. See the *Accessories* section later in this manual to determine the correct size extension cable needed to fit your downrod, then visit the retailer where you purchased this fan or call customer service to purchase.
- Angled ceilings must not be steeper than 30° from the horizontal canopy.



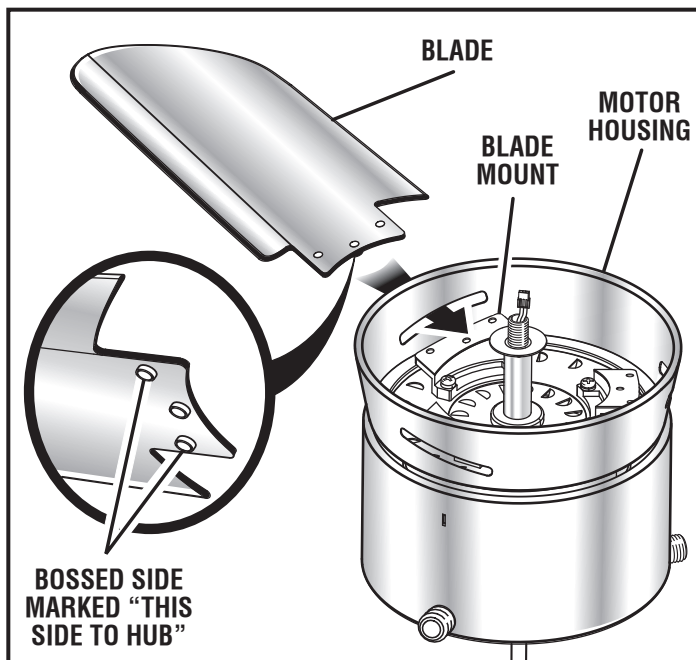
INSTALLATION

ASSEMBLING THE FAN

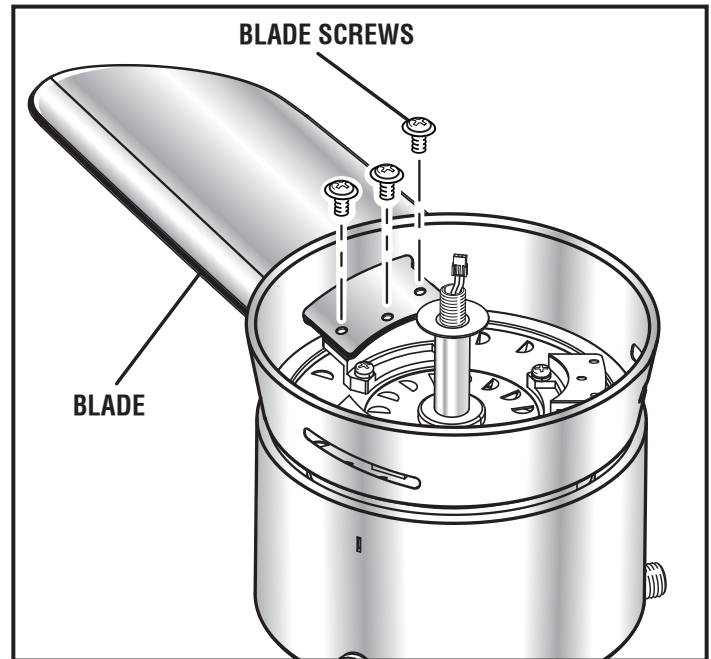
- Remove the center nut from the motor assembly. Leave the washer and stop nut on the shaft, and make sure the stop nut is bottomed out on the shaft.



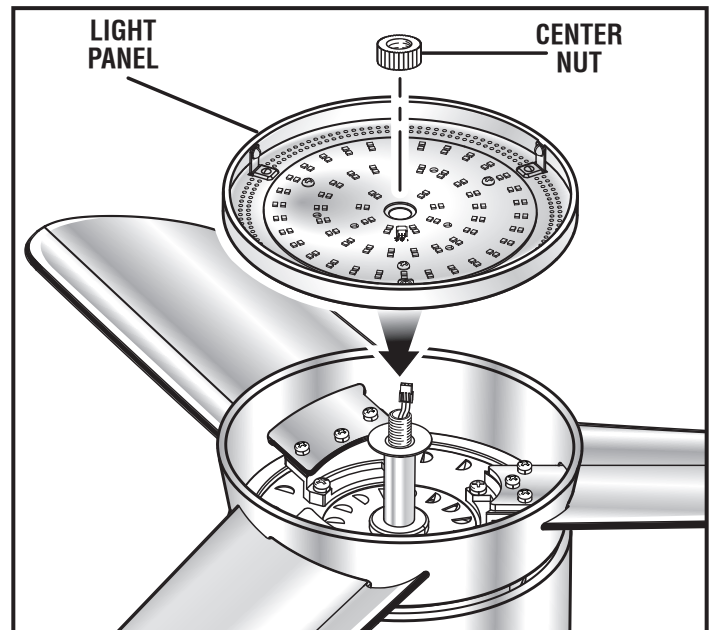
- With the bossed side of the blade marked “This Side To Hub” facing the motor assembly, slide the blade through the outside of the motor housing and onto the blade mount so the bosses fully seat in the blade mounting holes.



- Install the blade screws and tighten to secure the blade in place.



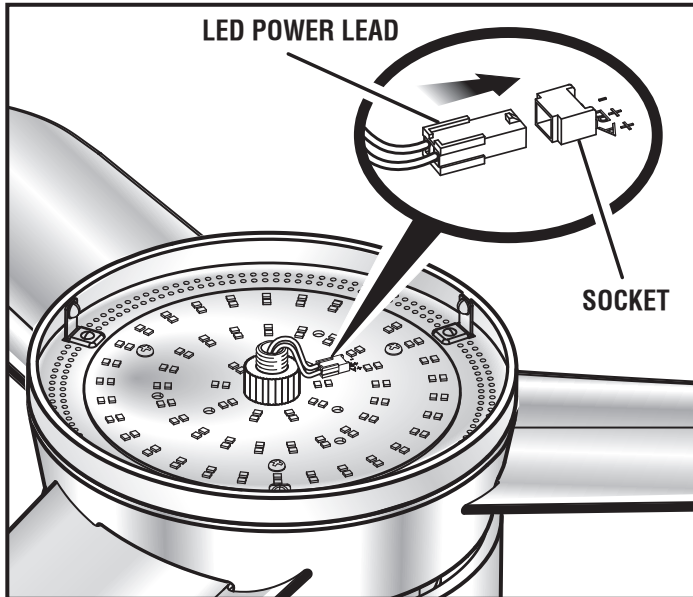
- Repeat the above steps to install the remaining two blades.
- Install the LED light panel as shown, then replace the center nut and tighten securely.



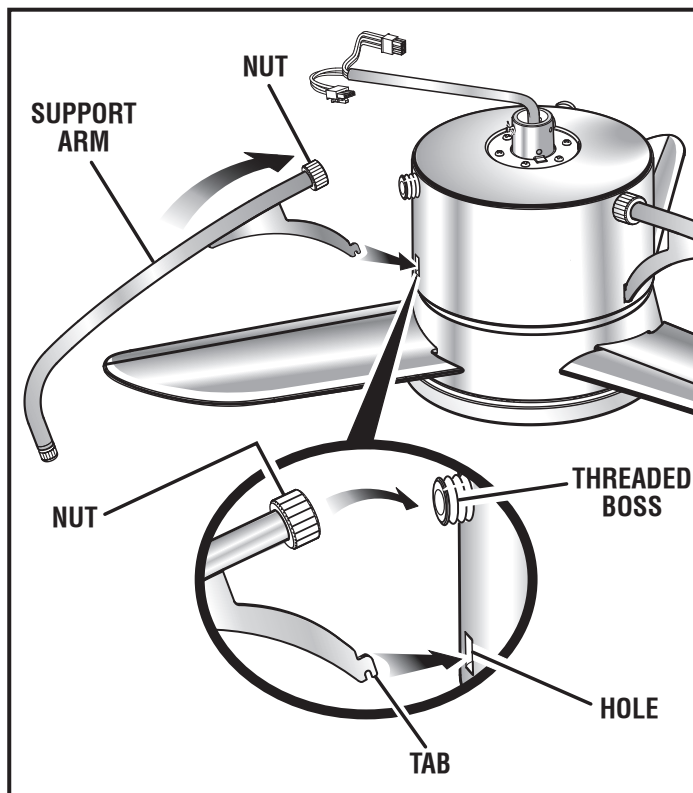
INSTALLATION

- Insert the LED power lead into the socket on the light panel. Make sure the connection is securely seated.

NOTE: Connector and socket are keyed to ensure correct orientation.

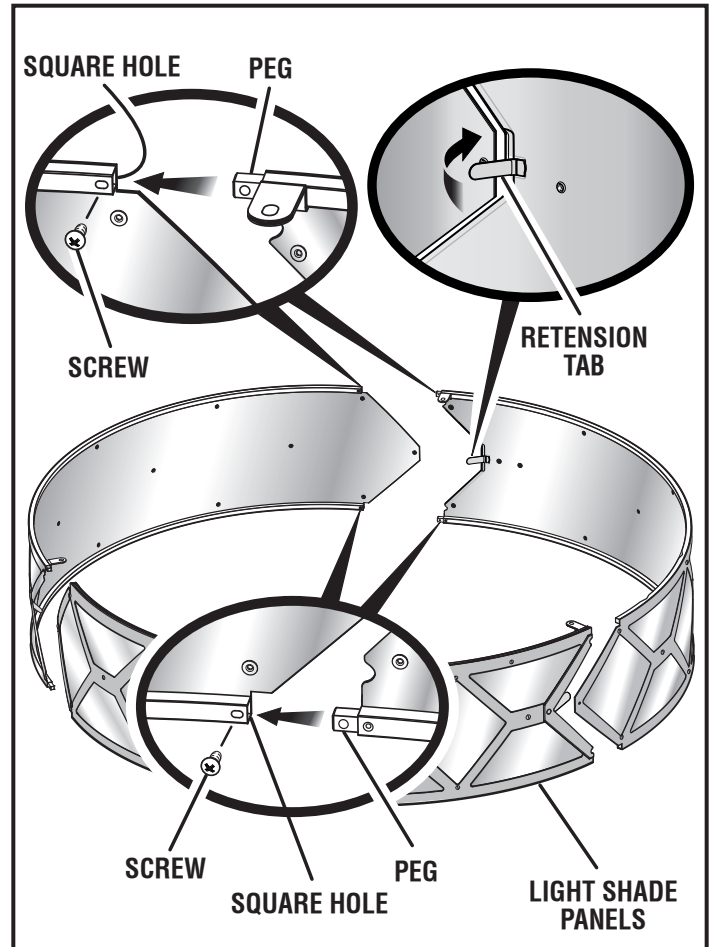


- Flip the entire fan assembly right-side up to complete the rest of the assembly process.
- Install a support arm by placing the tab of the arm into the hole on the motor housing, then angle the arm up until the nut is aligned with the threaded boss on the housing. Lower the nut on the arm to cover the connection and tighten securely. Repeat to install the remaining two arms.



- Assemble the light shade by sliding the peg on one shade panel into the square hole on the next panel, aligning the screw holes. Insert a screw into each hole and tighten securely. Repeat to attach the third panel.

NOTE: When completely assembled, the flange of each panel will overlap the next. For the Lancaster fans only, there is a retention tab on the diamond point where the panels overlap. Pull the retention tab back before sliding the two panels together, then reflatten the retention tab against the panels.



- Set aside the completed shade until the fan is ready to hang.

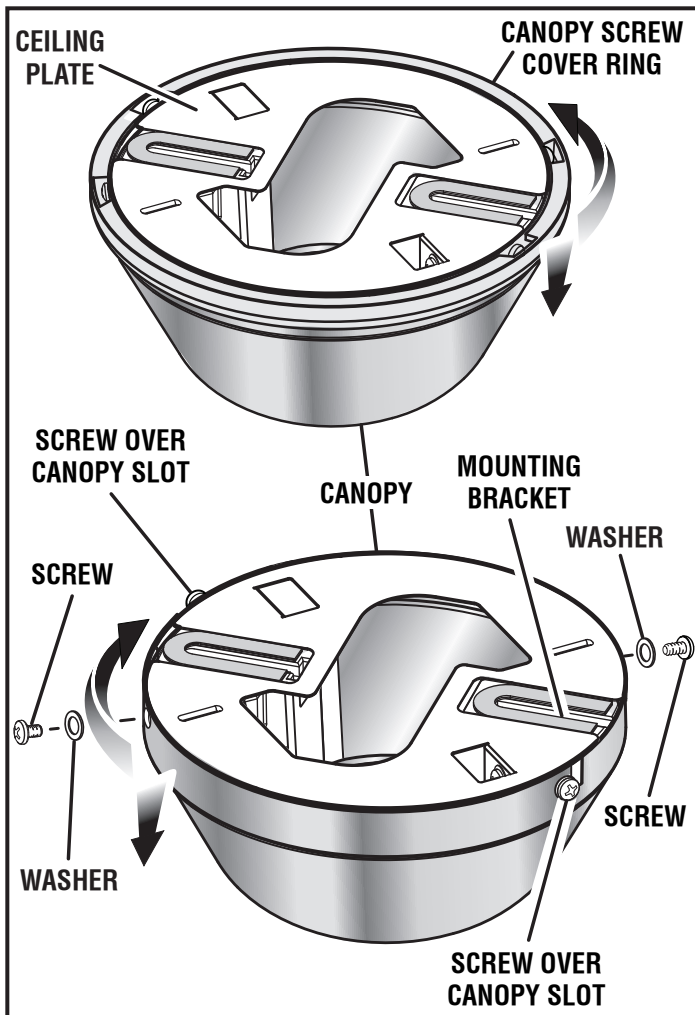
INSTALLATION

NOTICE:

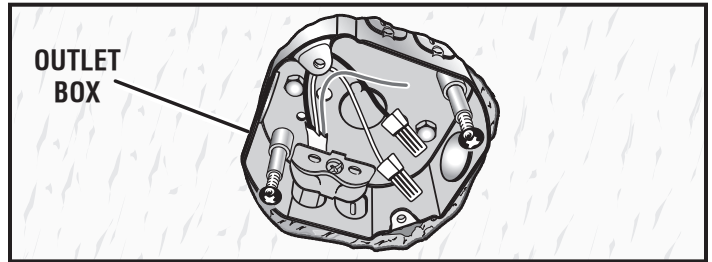
The mounting bracket has a ceiling plate on the upper surface to help keep the outlet box flush with the sheetrock during bracket installation. To allow you to better see some of the items being discussed, the plate is not shown in some artwork. This is for clarity purposes only. Do not remove the ceiling plate from the mounting bracket.

INSTALLING THE CEILING FAN MOUNTING BRACKET ASSEMBLY

- The mounting bracket assembly, canopy, and the canopy screw cover ring are assembled together for shipping purposes. If you haven't already done so, separate these pieces now.
 - Twist the canopy screw cover ring counterclockwise to release.
 - Loosen the two screws over the slots in the canopy.
 - Remove the two screws and washers securing the canopy to the mounting bracket assembly, then twist the canopy counterclockwise to release from the other two screws.



- Remove any existing ceiling fan or light where you intend to install this ceiling fan. Verify the existing outlet box is marked acceptable for fan support up to 35 lbs. and that it is securely fastened to the ceiling joists.



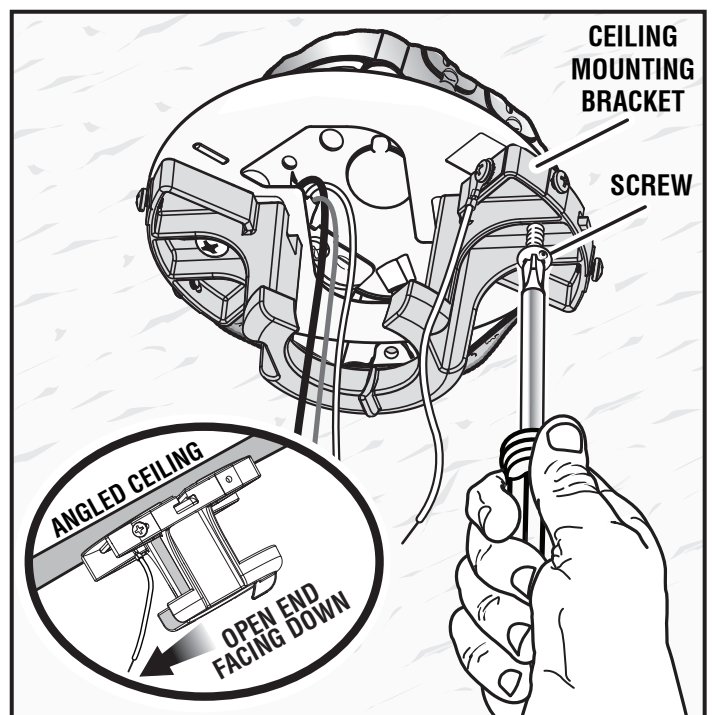
STOP For Canada installations, refer to the Canada Installation Addendum located in the Canada Installation Hardware Bag and install the eye bolt or anchor assembly now.

- Using the screws provided with the outlet box, attach the ceiling mounting bracket assembly to the electrical box, passing the 120V electrical supply wires through the hole in the center of the mounting bracket assembly.

NOTE: If you are installing the mounting bracket assembly for an angled orientation, make sure the open end of the bracket is installed facing the lower point of the ceiling.

NOTICE:

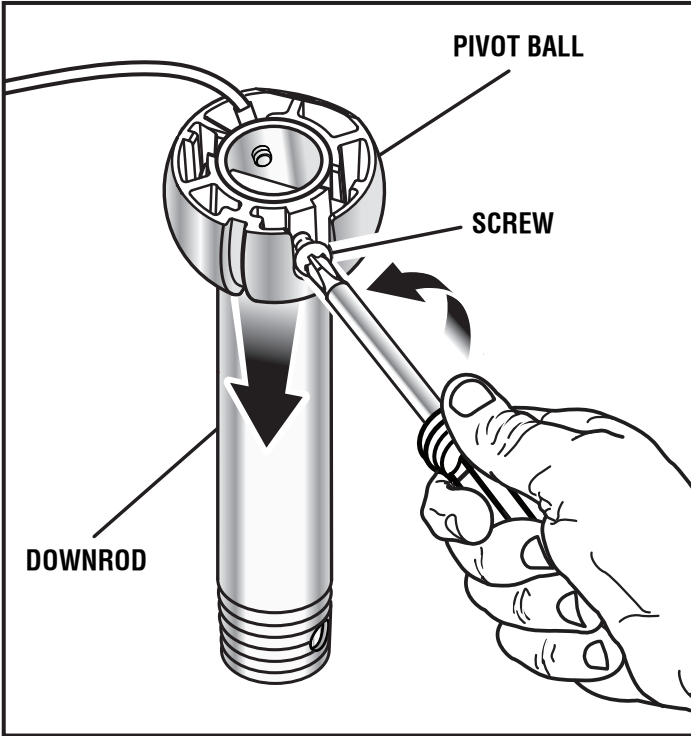
Be careful not to overtighten the screws, causing the outlet box to recess so it is no longer flush with the sheetrock. Doing so will prevent the canopy from aligning properly later in the installation process.



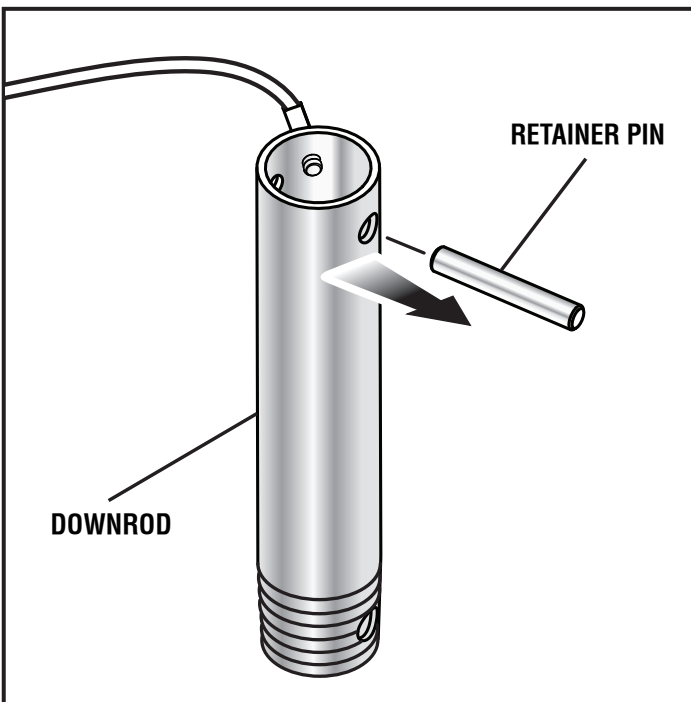
INSTALLATION

PREPARING YOUR CEILING FAN FOR MOUNTING

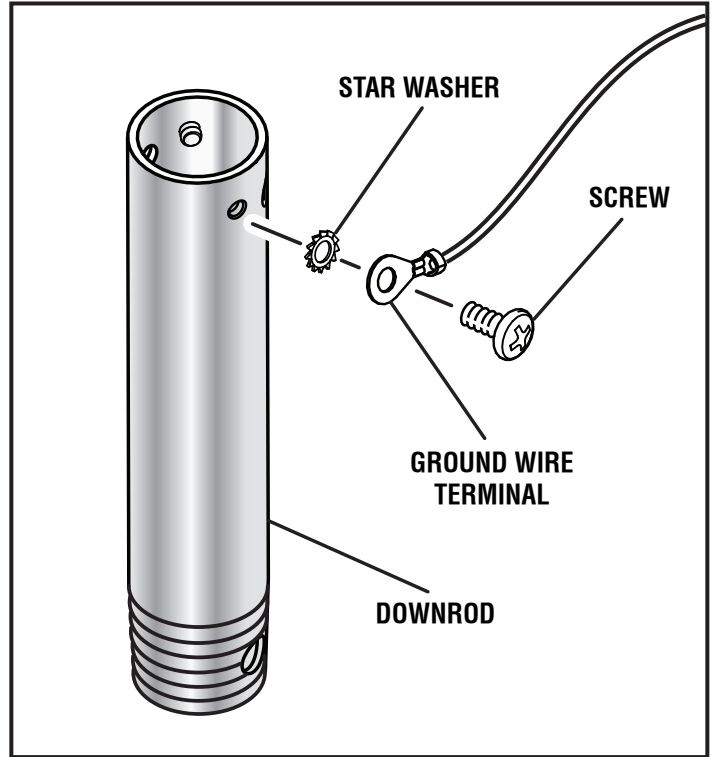
- Loosen the screw securing the pivot ball to the downrod. Slide the pivot ball down and off the downrod and set aside.



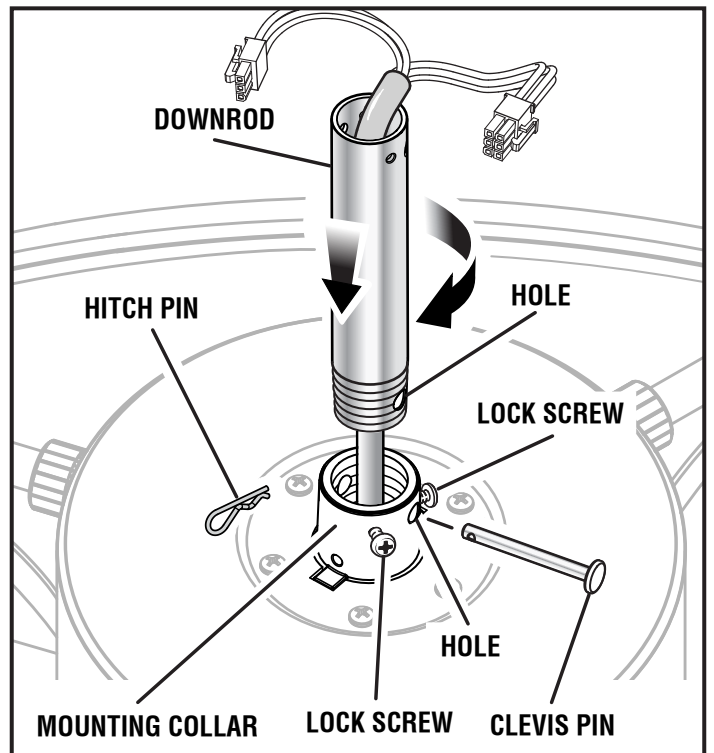
- Remove the retainer pin from the downrod.



- Remove the screw and star washer securing the ground wire terminal to the downrod. Remove the wire and set aside.

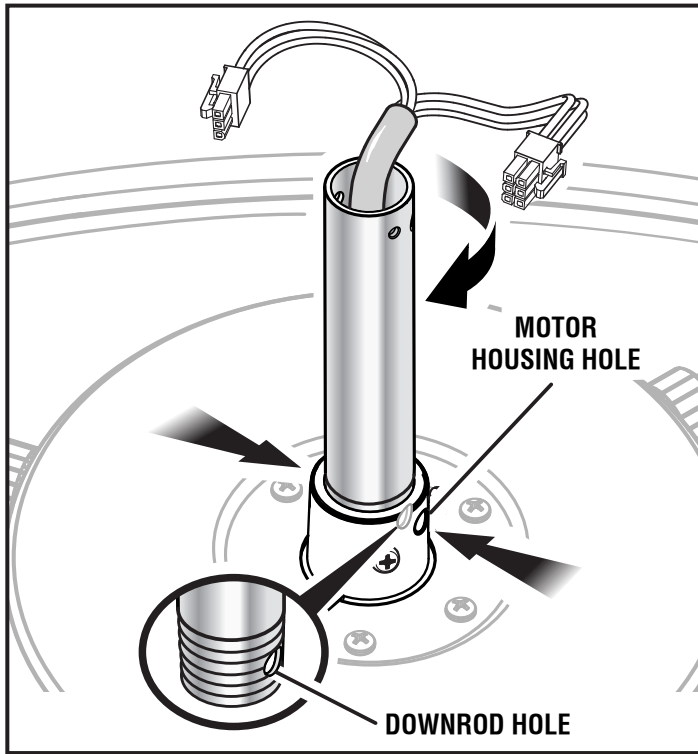


- Loosen (but do not remove) the lock screws that secure the downrod to the mounting collar on the fan assembly, then remove the hitch pin and the clevis pin from the mounting collar. Carefully feed the fan's electrical wiring up through the threaded end of the downrod.

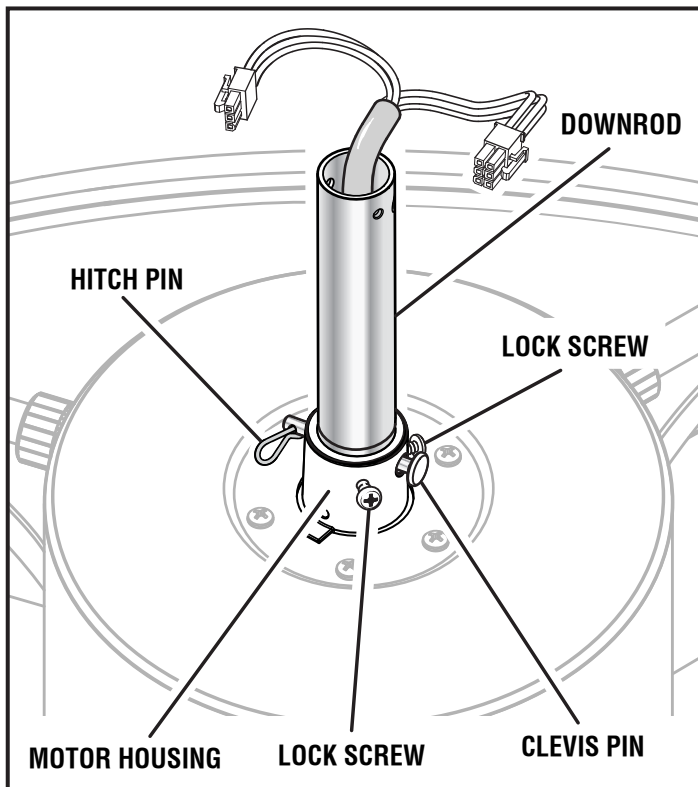


INSTALLATION

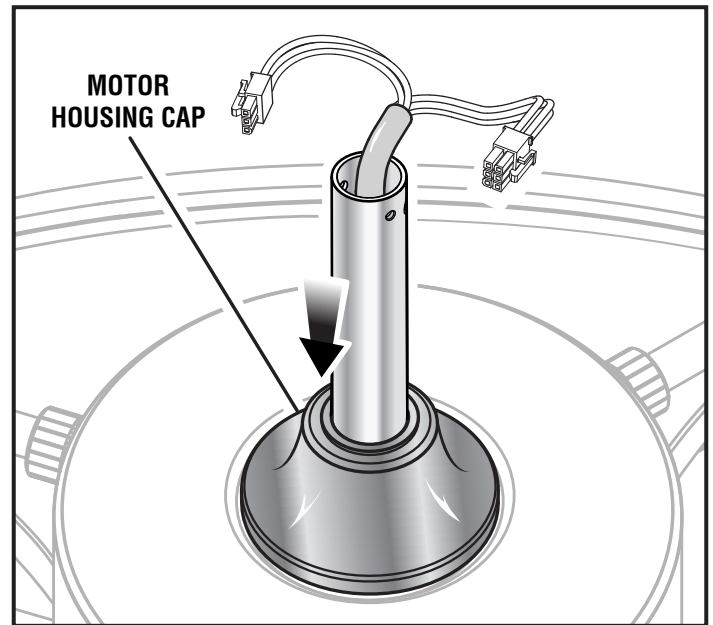
- Thread the downrod into the motor housing until it bottoms out, then back it out until the hole in the downrod aligns with the hole in the motor housing. Be careful not to twist the electrical wiring when tightening.



- Install the clevis pin through the holes in the motor housing and the downrod, then reinsert hitch pin. Retighten the lock screws to secure.

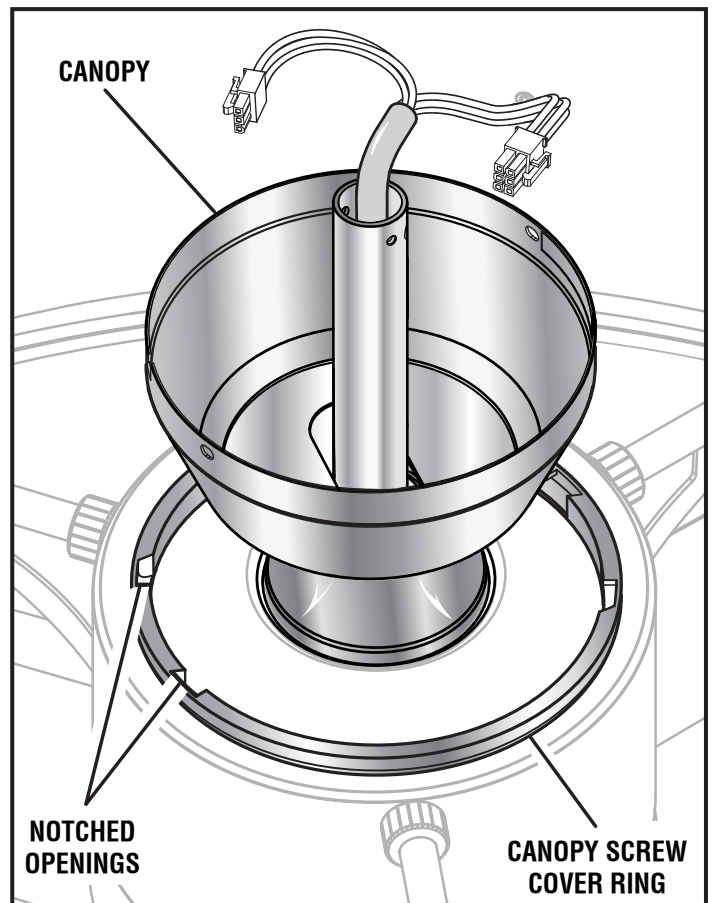


- Carefully feed the fan's electrical wiring through the motor housing cap, then install the cap as shown.



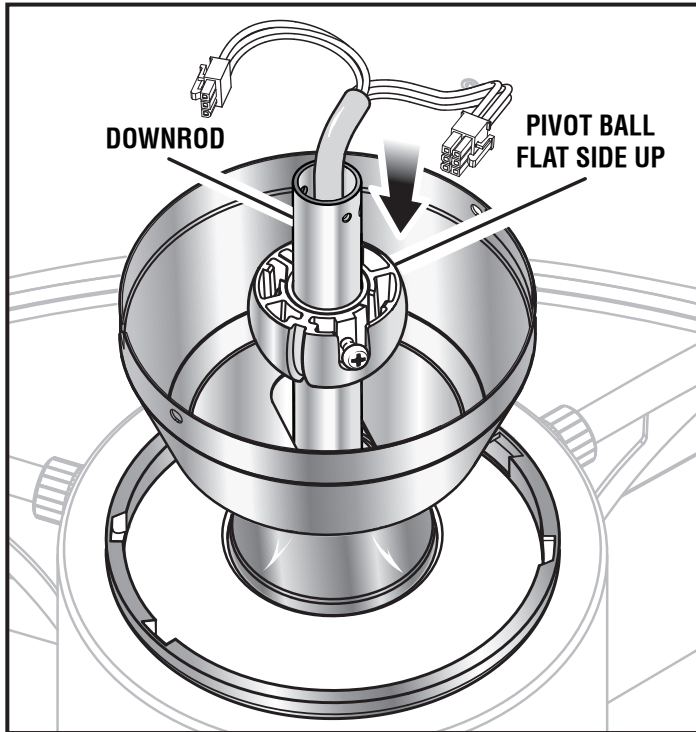
- Carefully feed the fan's electrical wiring through the canopy screw cover ring and canopy, then install the cover ring and canopy on the downrod as shown.

NOTE: Make sure the notched openings on the rim of the canopy screw cover ring are facing up.

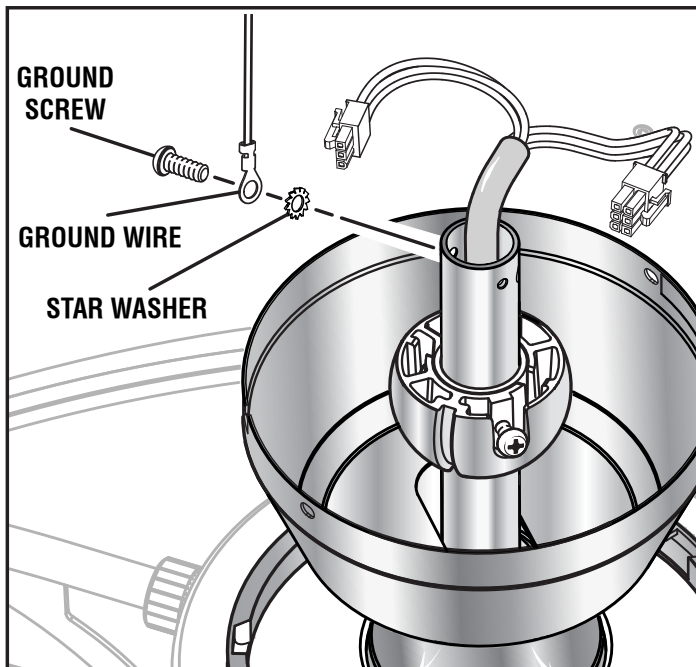


INSTALLATION

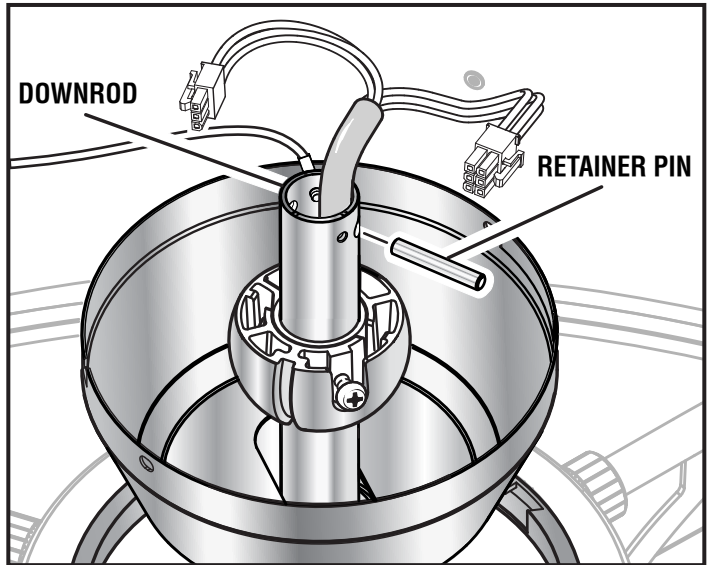
- Carefully feed the fan's electrical wiring through the pivot ball, then reinstall the pivot ball on the downrod with the flat side facing the ceiling.



- Reinstall the ground wire with the wire facing up to ensure proper grounding, make sure the star washer is reinstalled in the location shown below.

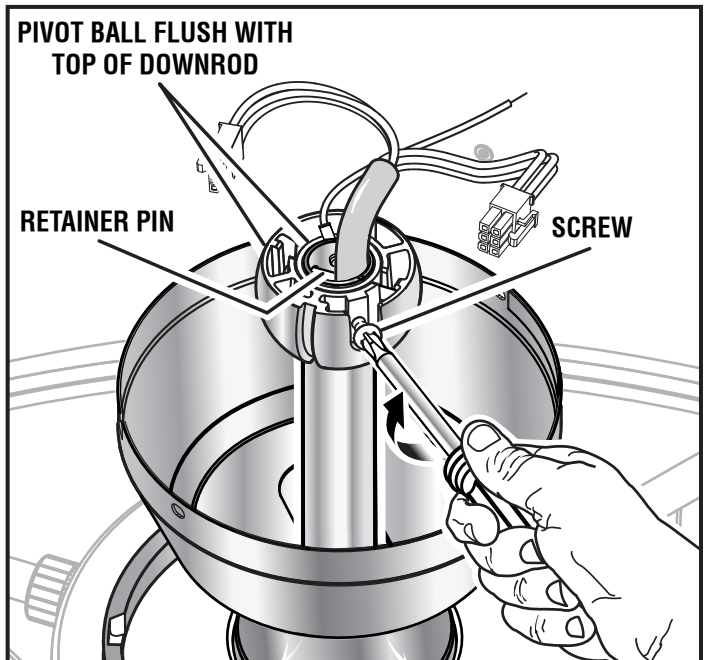


- Reinstall the retainer pin in the downrod.



STOP For Canada installations, refer to the Canada Installation Addendum and install the support cable on the retainer pin now.

- Lift the pivot ball back to the top of the downrod until the retainer pin is captured. Tighten the screw to secure.
NOTE: When the pivot ball is oriented correctly, it will also cover the ground screw and will be flush with the top of the downrod.



STOP For Canada installations, refer to the Canada Installation Addendum and test the support cable connection now.

INSTALLATION

HANGING THE CEILING FAN

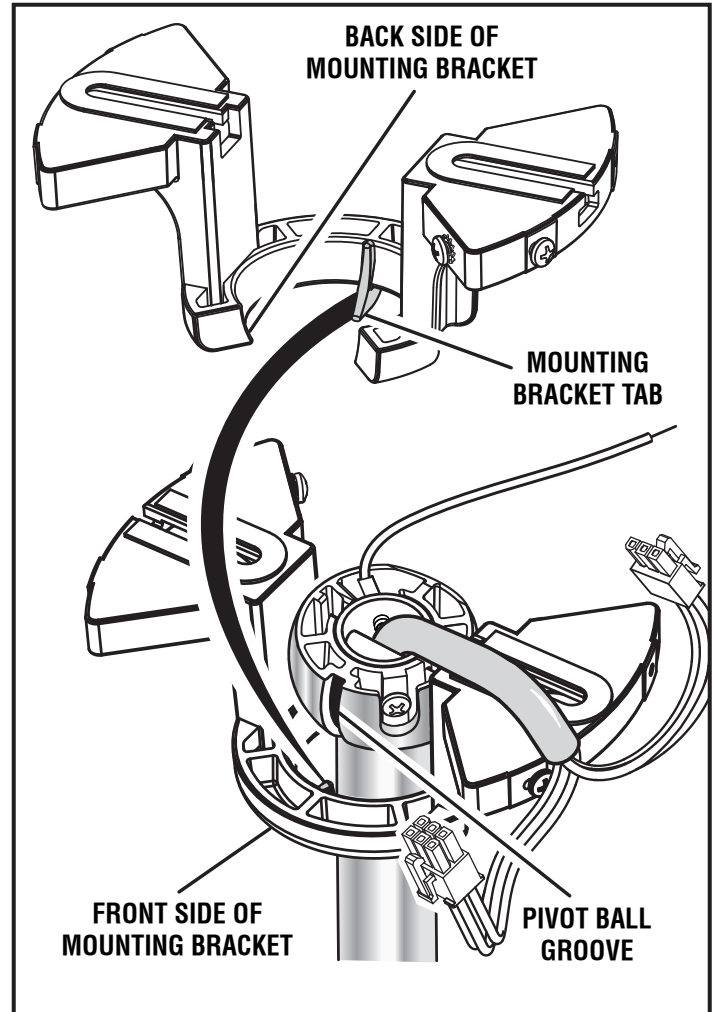
⚠ WARNING:

Once you begin the process of hanging the ceiling fan, do not leave the fan unattended until the installation process is complete. A falling fan could cause serious personal injury or death.

- Carefully lift the assembled fan up to the mounting bracket assembly and seat the pivot ball in the mounting bracket socket. Rotate the fan as needed so the tab on the mounting bracket socket seats in the groove in the pivot ball.

⚠ WARNING:

Failure to engage the fan's tab into the groove on the mounting bracket could allow the fan to wobble and/or fall. A falling fan could cause serious personal injury or death.



INSTALLATION

MAKING THE ELECTRICAL CONNECTIONS

⚠ WARNING:

Verify the power has been disconnected to both the room and the wall switch before making the electrical connections. Failure to do so could cause fire, electric shock, serious personal injury, or death.

NOTICE:

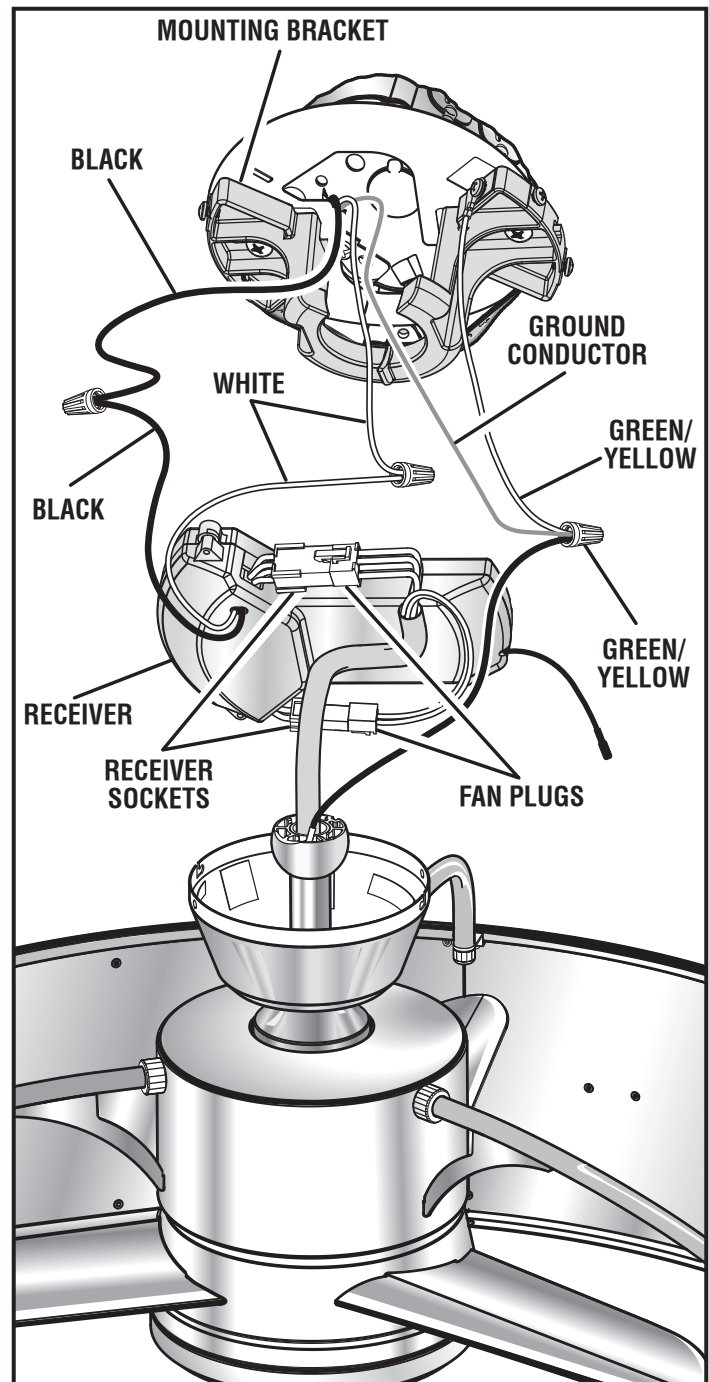
When shipped, the electrical wires from the ceiling fan offer enough length to accommodate only the downrod included. If you intend to use an extended-length downrod (not included), you will need to purchase a wiring extension cable also. See the *Accessories* section later in this manual to determine the size extension cable needed to fit your downrod, then visit the retailer where you purchased this fan or call customer service to purchase.

- If your outlet box has a ground wire (green or bare copper), connect it to the ground wire on the ceiling fan's pivot ball. If there is no ground wire in your outlet box, connect the ground wire on the pivot ball to the ground wire on the mounting bracket assembly.
- Verify the white and black wires from the electrical box are long enough to connect to the receiver, but not so long they prevent the receiver from being installed in the mounting bracket opening.
- Connect the white (neutral) supply wire to the white wire on the receiver marked **AC in N**.
- Connect the black (hot) supply wire to the black wire on the receiver marked **AC in L**.

NOTE: If your electrical box has both red and black hot wires, only one of these will be needed. Choose the supply wire that matches the wall switch you want to use for your ceiling fan. Use a wire cap and electrical tape to seal off the other wire and tuck it back up into the box and out of the way.

- Install a plastic wire nut over each connection to secure. Reinforce with electrical tape as needed to make sure no bare wire is visible at the wire nuts (except for a bare ground wire, if present).
- Spread the wires apart so the green/yellow and white wires go to one side and the black wire goes to the other, then carefully tuck all the wire connections up into the outlet box.

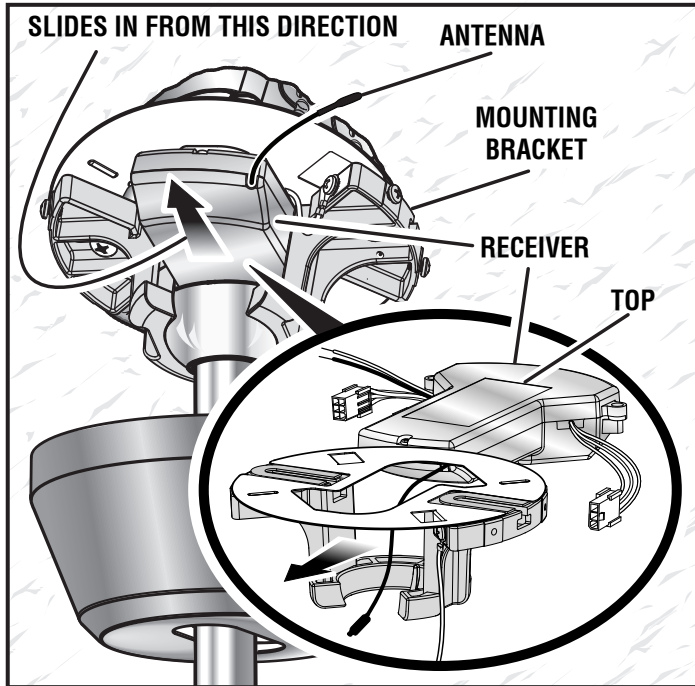
NOTE: Orient the wires so the wire nuts are facing up and are not touching each other. This will help minimize potential noise once the installation is complete.



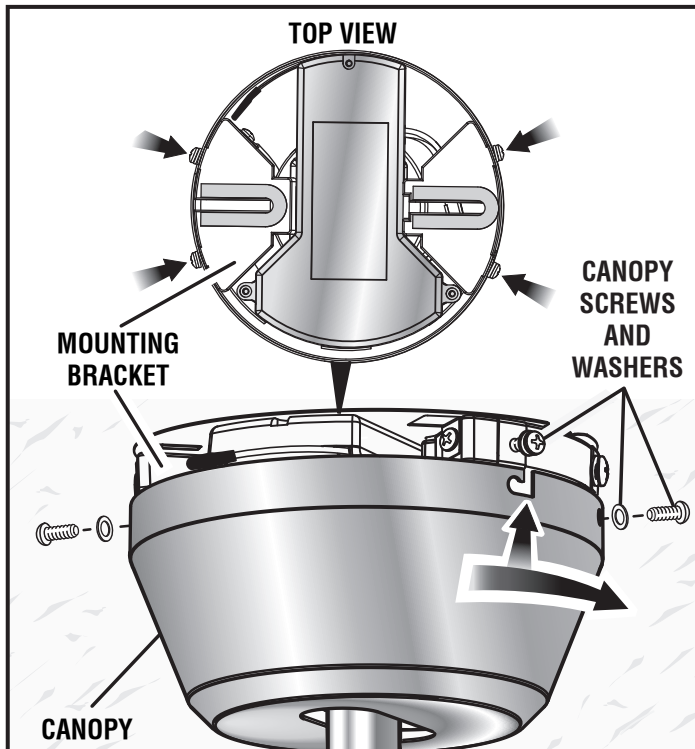
For Canada installations, refer to the Canada Installation Addendum and connect the support cable to the eye bolt or anchor assembly now.

INSTALLATION

- Place the receiver into the top of the mounting bracket with the flat side facing the ceiling. Tuck the receiver antenna and all wiring through the opening in the mounting bracket and up into the electrical box, making sure the wires don't become pinched.

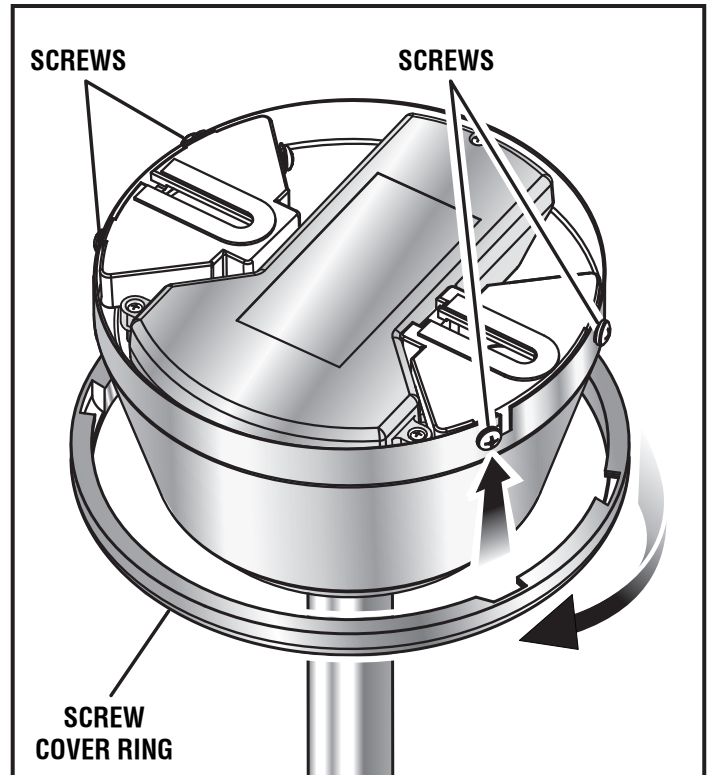


- Connect the fan plugs at the end of the fan's electrical wiring into their corresponding sockets on the receiver.
- Slide the canopy up into place and rotate clockwise to lock to mounting bracket assembly. Reinstall the two washers and screws (M4 x 6 mm) removed previously and tighten securely.

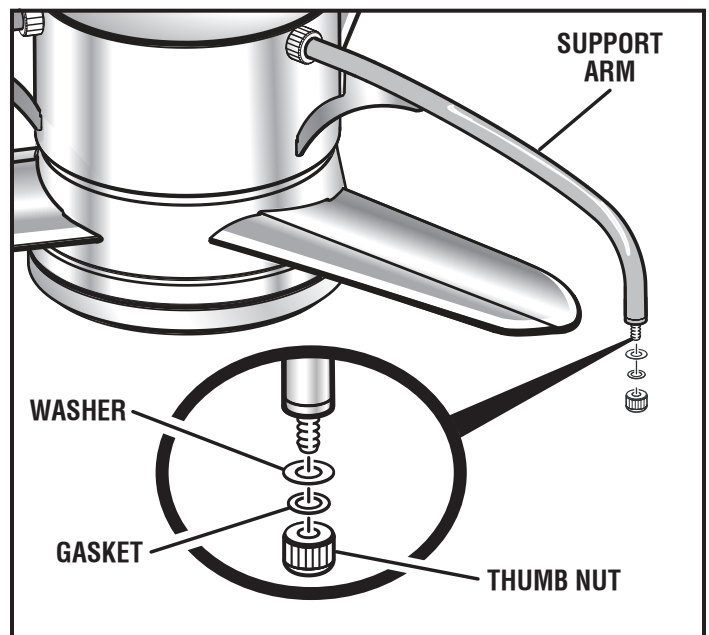


NOTE: If the canopy won't align with the screw holes, you may have overtightened the ceiling mounting bracket screws when securing the bracket to the outlet box. Remove the ceiling fan and loosen the screws just enough to allow the outlet box to become flush with the sheetrock, but not so much that the ceiling fan bracket is no longer securely fastened to the outlet box.

- Lift the screw cover ring up over the screws and twist counterclockwise to secure in place.

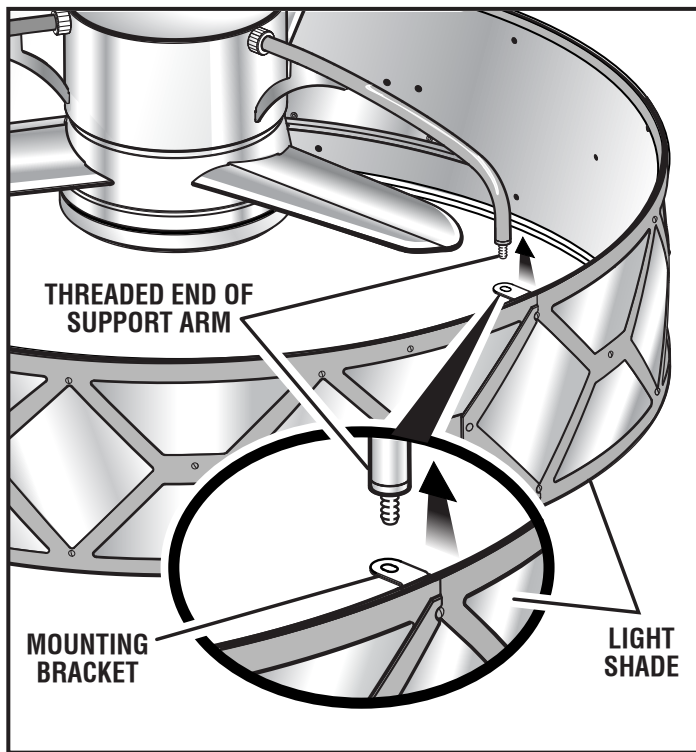


- Remove the thumb nuts, gaskets, and washers at the end of the support arms.

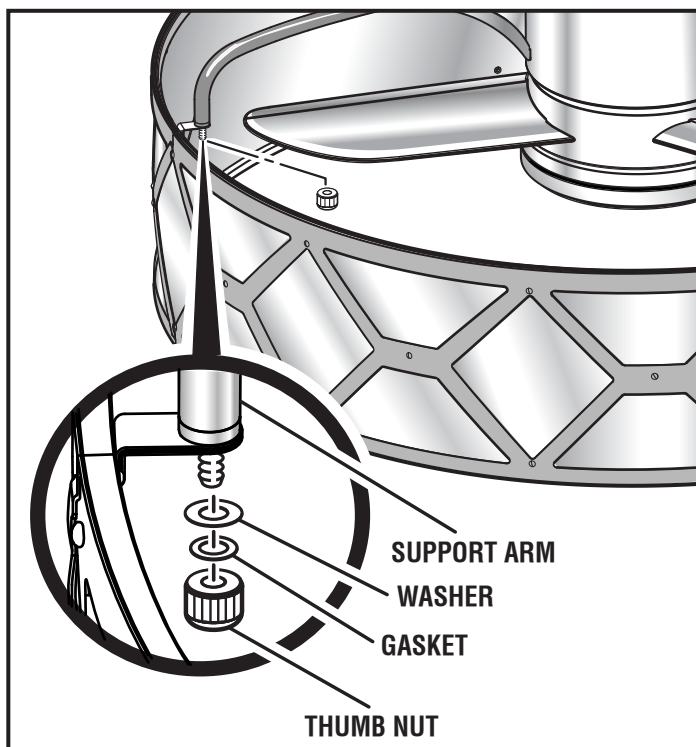


INSTALLATION

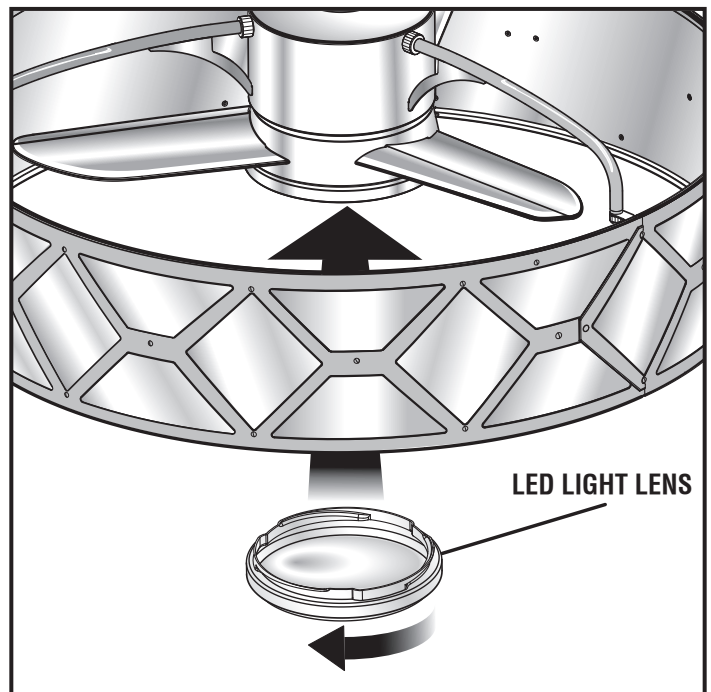
- Place the assembled light shade mounting bracket side up, then align the mounting brackets with the threaded ends of the support arms so the threaded ends pass through the holes in the mounting brackets.



- Reinstall the washers, gaskets, and thumb nuts and tighten securely.



- Install the light lens and twist counterclockwise to secure.



- Restore power to the room and wall switch, but do not turn on the wall switch yet.

INSTALLATION

USING THE REMOTE CONTROL

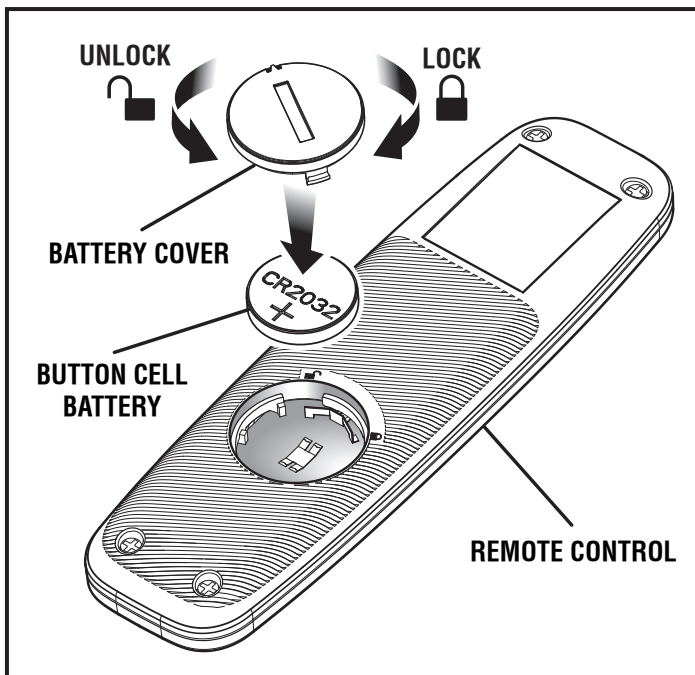
⚠ WARNING:

Chemical Burn Hazard. Keep batteries away from children. This product contains a lithium button/coin cell battery. If a new or used lithium button/coin cell battery is swallowed or enters the body, it can cause severe internal burns and can lead to death in as little as 2 hours. Always completely secure the battery compartment. If the battery compartment does not close securely, stop using the product, remove the batteries, and keep it away from children. If you think batteries might have been swallowed or placed inside any part of the body, seek immediate medical attention.

Keep button cell battery in original packaging until ready for use in the remote control. Dispose of used button cell batteries immediately.

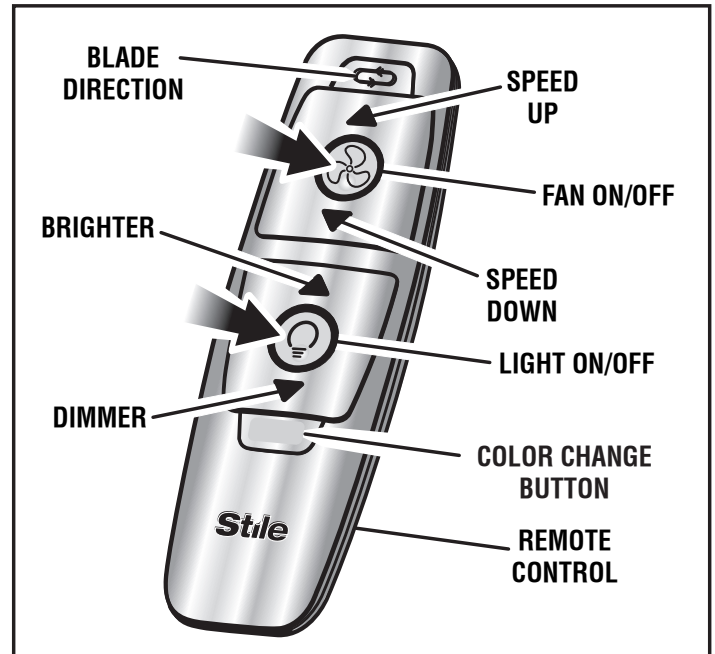
NOTE: If you have not already done so, restore power to the room and wall switch, but do not turn the wall switch on. The remote control will have no effect on the fan when the switch is turned off.

- Install the CR2032 button cell battery provided into the remote control as shown.



- Turn on the wall switch to provide power to the fan. For approximately 1 minute after the switch is turned on, the fan will search for the remote control. To pair the remote to the fan, press and hold the remote's fan (⌚) and light (💡) on/off buttons simultaneously for approximately 5 seconds.

NOTE: A total of 3 remotes can be paired to the fan. Simply repeat the step above to pair each one.



- To turn the light on and off, press and release the light on/off button (💡). Use the up (▲) and down (▼) arrows to control the brightness of the light.

NOTE: The brightness of the fan light can only be controlled by the remote control. A wall-mounted dimmer switch will not change the light's brightness.

- To change the color of the light, press the color change button. The light will cycle through the spectrum from warm white to daylight. Release the color change button when the light reaches your desired appearance. If you reach the end of the spectrum, release the button, then press again to go back the opposite way.
- To turn the fan on and off, press and release the fan on/off button (⌚). Use the up (▲) and down (▼) arrows to cycle through the fan speeds of Low, Medium, and Hi.
- To change the rotation direction of the ceiling fan blades, allow the blades to come to a complete stop, then press the blade direction button (↻).

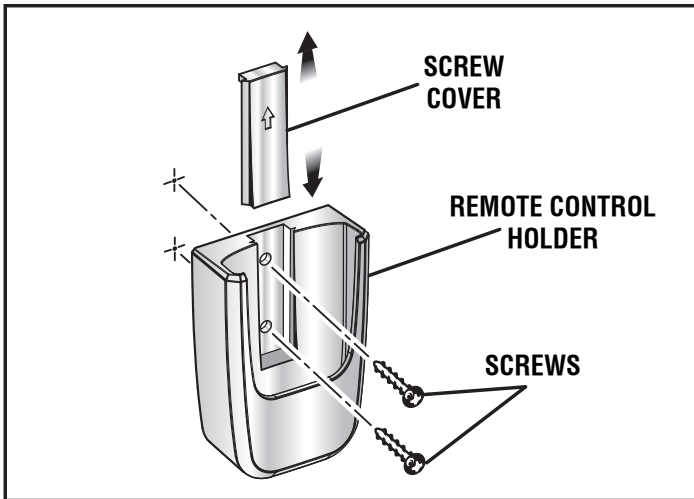
OPERATION

To mount the remote control holder:

- Remove the screw cover from the remote control holder.
- Install the remote control holder in the desired location using the two mounting screws provided.
- Replace the screw cover to cover the screw heads.

⚠ WARNING:

Always dispose of used batteries properly, including keeping them away from children. Even used cells may cause injury.



MODEL NO: CFARC03

FCC ID: VMZCFARC03

This device complies with Part 15 of the FCC Rules. Operation is subject to the following two conditions: (1) this device may not cause harmful interference, and (2) this device must accept any interference received, including interference that may cause undesired operation.

NOTE: THE GRANTEE IS NOT RESPONSIBLE FOR ANY CHANGES OR MODIFICATIONS NOT EXPRESSLY APPROVED BY THE PARTY RESPONSIBLE FOR COMPLIANCE. SUCH MODIFICATIONS COULD VOID THE USER'S AUTHORITY TO OPERATE THE EQUIPMENT.

This device complies with Industry Canada license-exempt RSS standard(s). Operation is subject to the following two conditions: (1) this device may not cause interference, and (2) this device must accept any interference, including interference that may cause undesired operation of the device.

OPERATION

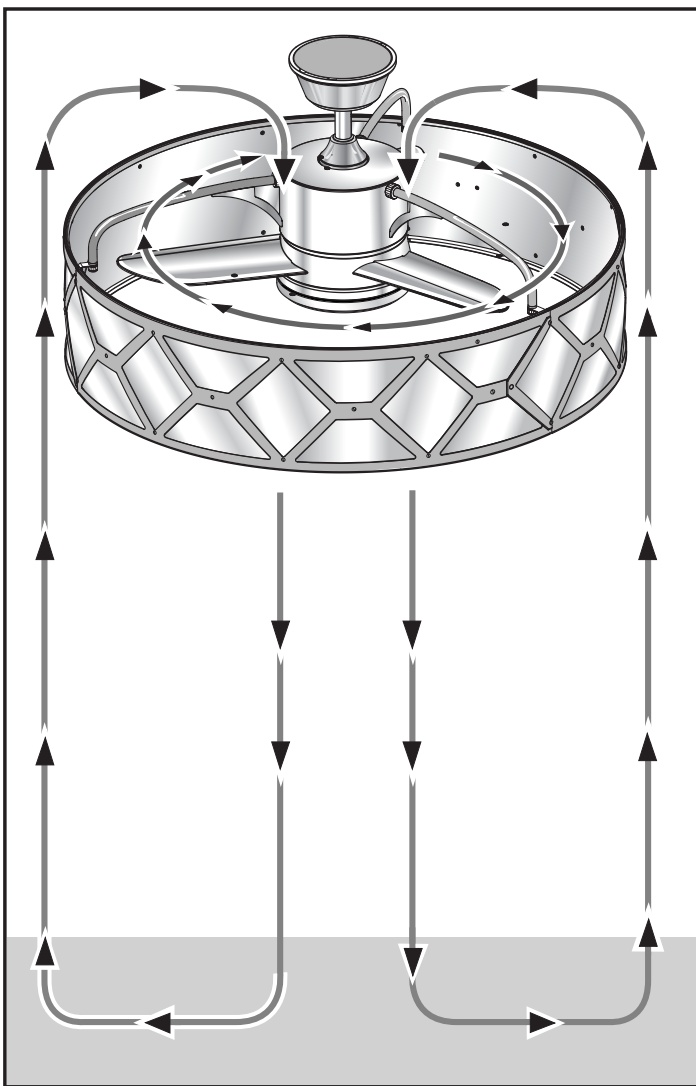
SETTING THE AIRFLOW DIRECTION

Choosing the correct airflow direction of the ceiling fan will enhance the fan's performance and make its use more enjoyable. To change the direction of airflow, use the blade direction button (↻) at the top of the ceiling fan's remote.

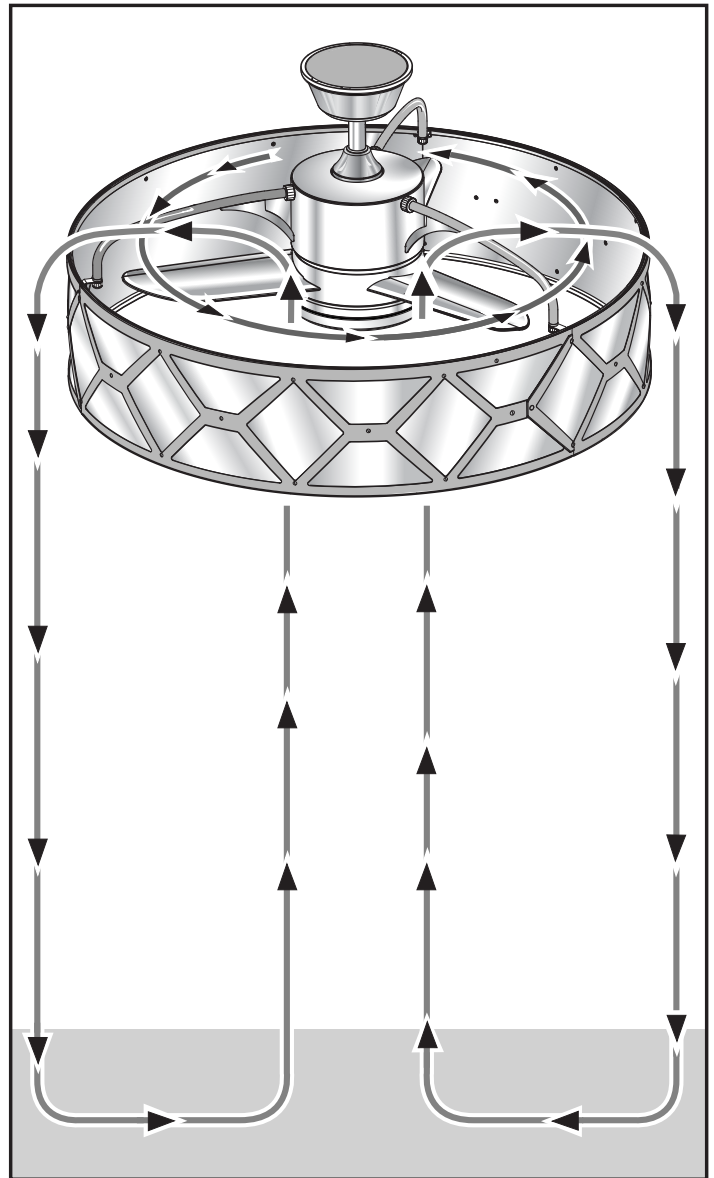
NOTICE:

Always allow the ceiling fan to come to a complete stop before changing the fan's direction.

- Choose a clockwise blade direction to provide a downward air flow. In warmer weather, this direction will provide a constant breeze, creating a wind chill effect for the room's occupants.



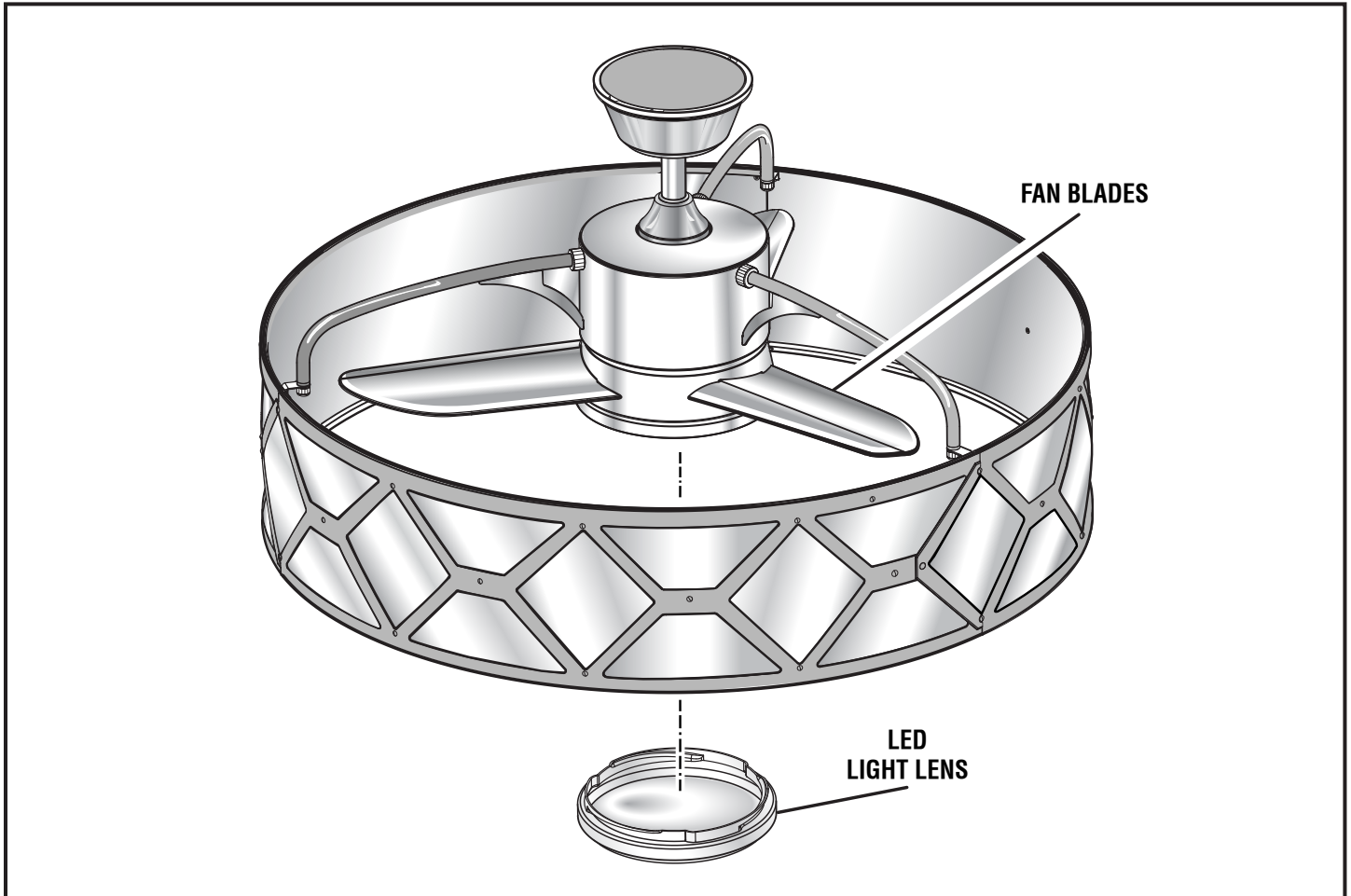
- In cooler weather, choose a counterclockwise blade direction to provide an upward direction of air travel. This will help circulate warm air off the ceiling and back down into the room.



MAINTENANCE

GENERAL CARE AND CLEANING

- Due to the natural movement of a ceiling fan, connections can become loose over time. Check all the ceiling fan's connections (not including the electrical connections) at least twice a year.
- The fan has permanently lubricated sealed bearings, therefore no further lubrication is required.
- Clean your fan periodically to help maintain its new appearance over time. Use only a soft brush or lint-free cloth to avoid scratching the finish. The plating is sealed with a lacquer to minimize discoloration or tarnishing. Do not use water when cleaning, as this could damage the motor or cause an electrical shock.
- Clean the fan blades periodically using a soft dry cloth. Do not use water or other liquids to clean the fan blades.
- If any visible debris appears above the LED light lens, twist the light lens counterclockwise to remove. Discard any debris present and clean the cover as needed using a soft dry cloth, Replace the light lens and twist clockwise to secure.



TROUBLESHOOTING

⚠ WARNING:

Turn off power to room and wall switch by removing fuses or turning off circuit breakers as needed before attempting any repairs to the ceiling fan or the electrical connections. Failure to do so can cause serious personal injury.

PROBLEM	POSSIBLE CAUSE
Fan will not start.	<p>Wall switch is turned off. Turn wall switch on.</p> <p>Circuit breaker is tripped or fuse is blown. Reset circuit breaker or replace fuse.</p> <p>Ceiling fan wiring is incorrect. Check the ceiling fan's electrical connections. If you are unable to detect the problem, consult a qualified electrician.</p>
Fan is noisy.	<p>Some noise is natural during the break-in period of the fan. Allow a minimum 24 hours break-in period. Most noises associated with a new fan will be resolved during this time.</p> <p>Ceiling fan housing screws are loose. Make sure all housing screws are snugly tightened.</p>
Fan wobbles.	<p>Pivot ball is not captured in slot on fan mounting bracket. Refer to the instructions under Hanging the Ceiling Fan on page 12 to be sure the ceiling fan is hung correctly.</p> <p>Outlet box is not securely fastened to the ceiling joists. Tighten the outlet box screws or use longer screws, if needed, to fasten securely.</p>
Remote control is not working.	<p>Wall switch is turned off. Turn wall switch on.</p> <p>The remote battery is dead. Replace the CR2032 button-cell battery in the remote control.</p> <p>Wall switch has solid-state speed controls. Do not use a wall switch that has variable speed control (i.e. a dimmer switch).</p> <p>Remote is not paired. To pair, turn the wall switch off, then back on. Within one minute of turning the switch on, press and hold simultaneously for approx. 5 seconds the fan (Ⓢ) and light (Ⓚ) on/off buttons on the remote.</p>

ACCESSORIES

Look for these accessories where you purchased this product or call 1-877-258-9740 to order:

- 12 in. Wiring Extension Cable 039858008120
- 18 in. Wiring Extension Cable 039858008180
- 24 in. Wiring Extension Cable 039858008240
- 36 in. Wiring Extension Cable 039858008360
- 48 in. Wiring Extension Cable..... 039858008480
- 60 in. Wiring Extension Cable 039858008600
- 72 in. Wiring Extension Cable..... 039858008720
- Remote Control 009863001604

⚠ WARNING:

Current attachments and accessories available for use with this product are listed above. Do not use any attachments or accessories not recommended by the manufacturer of this product. The use of attachments or accessories not recommended can result in serious personal injury.

WARRANTY

Limited Lifetime Warranty

WHAT THIS WARRANTY COVERS: For the original purchaser only, your Stile™ ceiling fan motor is warranted to be free of material and workmanship defects for the lifetime of the fan motor. All other ceiling fan parts are warranted to be free of material and workmanship defects for a period of one year.

HOW TO GET SERVICE: To obtain replacement parts or servicing under warranty, please contact a service representative at One World Technologies, Inc., P.O. Box 1288, Anderson, SC 29622, by calling 1-877-258-9740, or by logging on to www.TheStileLife.com. When you request warranty service, you must also present proof of purchase documentation, which includes the date of purchase (for example, a bill of sale). We will repair any faulty workmanship, and either repair or replace any defective part, at our option. We will do so without any charge to you.

WHAT'S NOT COVERED: This warranty applies only to the original purchaser at retail and may not be transferred. This warranty does not cover any malfunction, failure, or defects resulting from misuse, abuse, normal wear and tear, neglect, alteration, modification or repairs by other than Authorized Service Centers. This warranty does not cover any damage caused by improper installation or the use of parts not provided or approved by the manufacturer for use with this fan. A certain amount of "wobble" is normal and is not a defect. Due to varying climate conditions, this warranty does not cover changes in the finish from rusting, pitting, tarnishing, corroding, or peeling. You should always protect the fan from varying weather conditions.

All costs of removal and reinstallation are the express responsibility of the purchaser. One World Technologies, Inc., makes no warranties, representations or promises as to the quality or performance of its products other than those specifically stated in this warranty.

ADDITIONAL LIMITATIONS: Any implied warranties granted under state law, including warranties of merchantability or fitness for a particular purpose, are limited to the terms stated above. One World Technologies, Inc. is not responsible for direct, indirect, or incidental damages, so the above limitations and exclusions may not apply to you. This warranty gives you specific legal rights, and you may also have other rights which vary from state to state.

CUSTOMER SERVICE INFORMATION:

For parts or service, or access to an Authorized Service Center, please call 1-877-258-9740 or visit us online at www.TheStileLife.com.

The model number and serial number of this ceiling fan is found on a label located on the top of the fan housing. Please record the serial number in the space provided below. When calling about warranty service or if ordering repair parts, always give the following information:

Model No. _____ **Serial No.** _____

INSTRUCTIONS IMPORTANTES CONCERNANT LA SÉCURITÉ

AVERTISSEMENT

Lire toutes les mises en garde et directives aux présentes. Tout manquement aux mises en garde et aux directives aux présentes peut résulter en un choc électrique, un incendie et (ou) des blessures graves.

LIRE ET CONSERVER CES DIRECTIVES

- Utiliser cet appareil uniquement de la manière prévue par le fabricant. Si vous avez des questions, veuillez communiquer avec le fabricant.
- Avant de commencer l'installation, lire et comprendre les directives et les renseignements sur la sécurité. Bien passer en revue tous les renseignements de montage et les dessins et s'assurer de comprendre toutes les exigences de montage.
- Avant de procéder à l'installation, à l'entretien et au nettoyage, mettre l'alimentation hors tension au panneau de service et verrouiller le dispositif de sectionnement afin de prévenir la mise sous tension de l'alimentation par inadvertance. Lorsqu'il est impossible de verrouiller le dispositif de sectionnement, apposer un dispositif de mise en garde visible, comme une étiquette, sur le panneau de service.
- Les travaux d'installation et de câblage électrique doivent être effectués par des personnes dûment qualifiées conformément à toutes les normes et à tous les codes applicables, notamment ceux relatifs aux constructions résistant au feu.
- L'installation et le câblage doivent être effectués conformément aux dispositions du code national de l'électricité, de la norme ANSI/NFPA 70 et de tous les codes locaux. Si vous n'êtes pas familier avec ces exigences ou êtes dans l'impossibilité de vous y conformer, faites installer le ventilateur de plafond par un électricien.
- Lorsque l'on coupe ou perce des trous dans un mur ou un plafond, ne pas endommager le câblage électrique et les autres dispositifs dissimulés.
- Ne pas plier les supports des pales pendant le nettoyage du ventilateur. Ne pas insérer de corps étrangers entre les pales en mouvement du ventilateur.

AVERTISSEMENT :

Pour réduire le risque de blessures, ne pas plier les supports de pale lors de l'installation des supports, de l'équilibrage des pales ou du nettoyage du ventilateur. ne pas insérer d'objets entre les pales du ventilateur en mouvement.

- Monter le ventilateur de plafond directement à un boîtier de jonction métallique portant l'indication « Convient aux ventilateurs de 35 lb ou moins ». Utiliser les vis de montage fournies avec la boîte de jonction.
- Lorsque l'on utilise un boîtier de jonction, s'assurer qu'il est fermement fixé à la structure du bâtiment et qu'il peut supporter le poids du ventilateur.




AVERTISSEMENT :

Pour réduire le risque d'incendie, de choc électrique ou de blessures, installer la boîte de sortie marquée « Acceptable pour un support de ventilateur pesant moins de 15,9 kg (35 lbs.) » et utiliser les vis de montage fournies avec la boîte de sortie. La plupart des boîtes de sortie couramment utilisées pour soutenir les appareils d'éclairage ne sont pas acceptables comme support de ventilateur et doivent être remplacées. En cas de doute, consulter un électricien qualifié.





- Ce ventilateur n'est pas conçu pour être utilisé avec des interrupteurs distincts pour contrôler les fonctions d'éclairage et de ventilation. Les deux fonctions sont contrôlées par la télécommande.
- Ne pas brancher ce ventilateur à un gradateur. Puisque toutes les fonctions d'éclairage et de ventilation sont contrôlées par la télécommande comprise avec le ventilateur, un branchement à un gradateur pourrait causer un fonctionnement imprévisible et endommager l'appareil.
- Afin de réduire les risques de blessure, installer le ventilateur de plafond de manière que la garde au sol des pales soit d'au moins de 7 pieds.
- S'assurer que l'alimentation est hors tension avant de commencer l'installation. Après avoir fait la connexion des fils, séparer ces derniers en plaçant le conducteur de mise à la terre du matériel d'un côté du boîtier de jonction et le conducteur non mis à la terre de l'autre côté du boîtier de jonction. Les épissures doivent être orientées vers le haut et poussées soigneusement dans le boîtier de jonction.
- Toujours mettre le ventilateur hors tension et attendre qu'il soit complètement arrêté avant d'inverser la direction des pales.
- Une fois l'installation terminée, s'assurer que tous les raccords sont fermement fixés pour prévenir la chute du ventilateur de plafond.
- **Conserver ces instructions.** Les consulter fréquemment et les utiliser pour instruire les autres utilisateurs éventuels. Si cet produit est prêté, il doit être accompagné de ces instructions, afin d'éviter un usage incorrect et d'éventuelles blessures.

SYMBOLES

Les termes de mise en garde suivants et leur signification ont pour but d'expliquer le degré de risques associé à l'utilisation de ce produit.

SYMBOLE	SIGNAL	SIGNIFICATION
	DANGER :	Indique une situation dangereuse qui, si elle n'est pas évitée, aura pour conséquences des blessures graves ou mortelles.
	AVERTISSEMENT :	Indique une situation dangereuse qui, si elle n'est pas évitée, pourrait entraîner des blessures graves ou mortelles.
	ATTENTION :	Indique une situation dangereuse qui, si elle n'est pas évitée, pourrait entraîner des blessures légères ou de gravité modérée.
	AVIS :	(Sans symbole d'alerte de sécurité) Indique les informations jugées importantes sans toutefois représenter un risque de blessure (ex. : messages concernant les dommages matériels).

Certains des symboles ci-dessous peuvent être utilisés sur l'outil. Veiller à les étudier et à apprendre leur signification. Une interprétation correcte de ces symboles permettra d'utiliser l'outil plus efficacement et de réduire les risques.

SYMBOLE	NOM	DÉSIGNATION / EXPLICATION
	Symbole d'alerte de sécurité	Indique un risque de blessure potentiel.
	Lire le manuel d'utilisation	Pour réduire les risques de blessures, l'utilisateur doit lire et veiller à bien comprendre le manuel d'utilisation avant d'utiliser ce produit.
	Protection oculaire	Toujours porter une protection oculaire avec écrans latéraux certifiée conforme à la norme ANSI Z87.1.
	Garder hors de la portée des jeunes enfants	Jeter la pile bouton usagée immédiatement.
V	Volts	Tension
A	Ampères	Intensité
Hz	Hertz	Fréquence (cycles par seconde)
W	Watts	Alimentation
min	Minutes	Temps
~	Courant alternatif	Type de courant
n	Vitesse nominale	Vitesse de rotation maximum
.../min	Par minute	Tours, coups, vitesse périphérique, orbites, etc., par minute

CONTENU DE L'EMBALLAGE

⚠ AVERTISSEMENT :

Les articles dans cette section ne sont pas assemblés au produit par le fabricant et nécessitent d'être installés. Le fait d'utiliser un produit qui a été assemblé de façon inadéquate peut entraîner des blessures.

- Enlever toutes les pièces de l'emballage et s'assurer que toutes les pièces énoncées dans la présente section **Contenu de l'emballage** sont présentes.
- Examiner soigneusement l'outil pour s'assurer que rien n'a été brisé ou endommagé en cours de transport.
- Ne pas jeter les matériaux d'emballage avant d'avoir soigneusement examiné le produit et avoir vérifié qu'il fonctionne correctement.
- Si des pièces manquent ou sont endommagées, téléphoner au 1-877-258-9740.

⚠ AVERTISSEMENT :

Si des pièces manquent ou sont endommagées, ne pas utiliser ce outil avant qu'elles aient été remplacées. Le fait d'utiliser ce produit même s'il contient des pièces endommagées ou s'il lui manque des pièces peut entraîner des blessures graves.

PIÈCES ET ACCESSOIRES DU VENTILATEUR DE PLAFOND

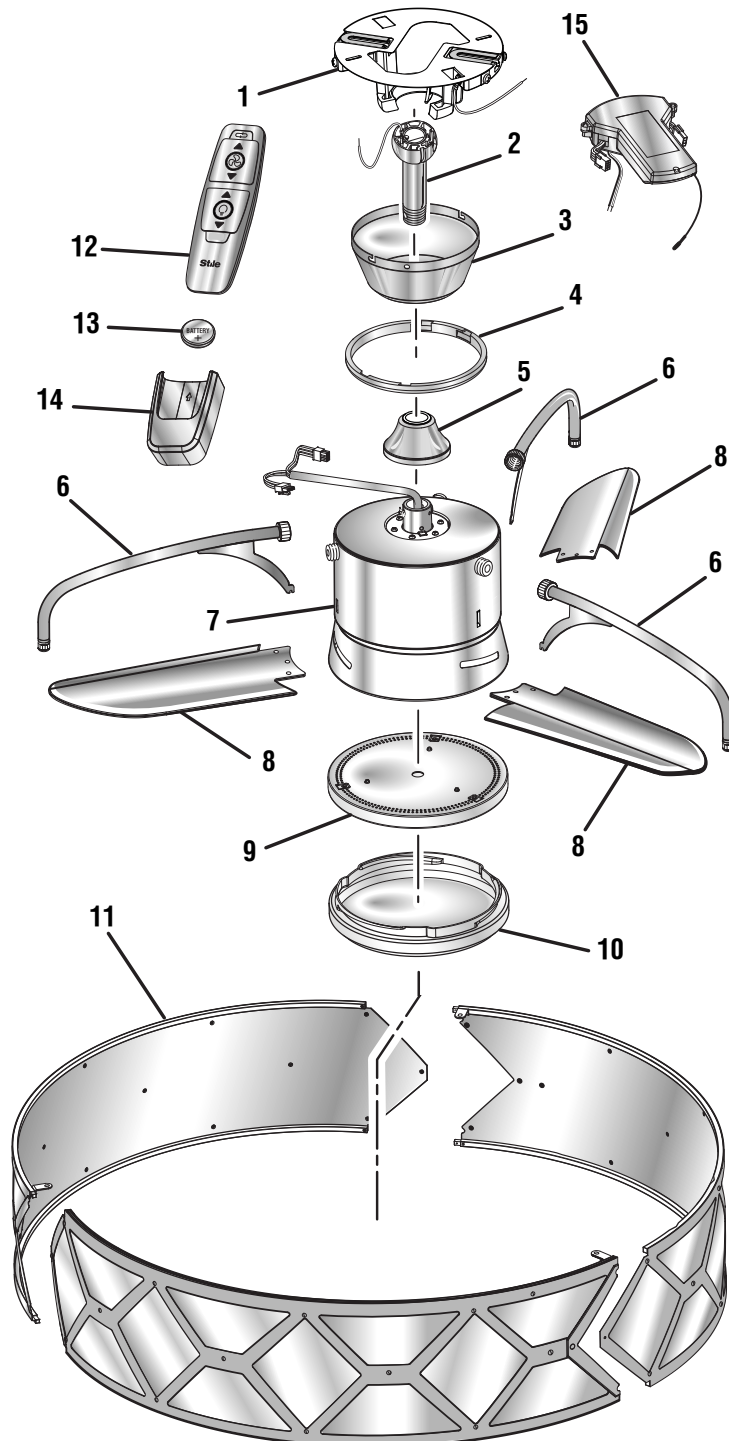
Num.	Description	Quantité
1	Ensemble support de montage*	1
2	Ensemble bille d'articulation et tige	1
3	Monture*	1
4	Bague cache-vis de la monture*	1
5	Capuchon du boîtier de moteur	1
6	Bras de soutien	3
7	Ensemble moteur	1
8	Pales	3
9	Panneau de lumière DEL	1
10	Lentille	1
11	Panneaux d'ombrage	3
12	Télécommande	1
13	Pile bouton CR2032	1
14	Support mural de la télécommande	1
15	Récepteur de télécommande	1

* Aux fins d'emballage, l'ensemble support de montage, la monture et la bague cache-vis de la monture sont assemblés.

⚠ AVERTISSEMENT :

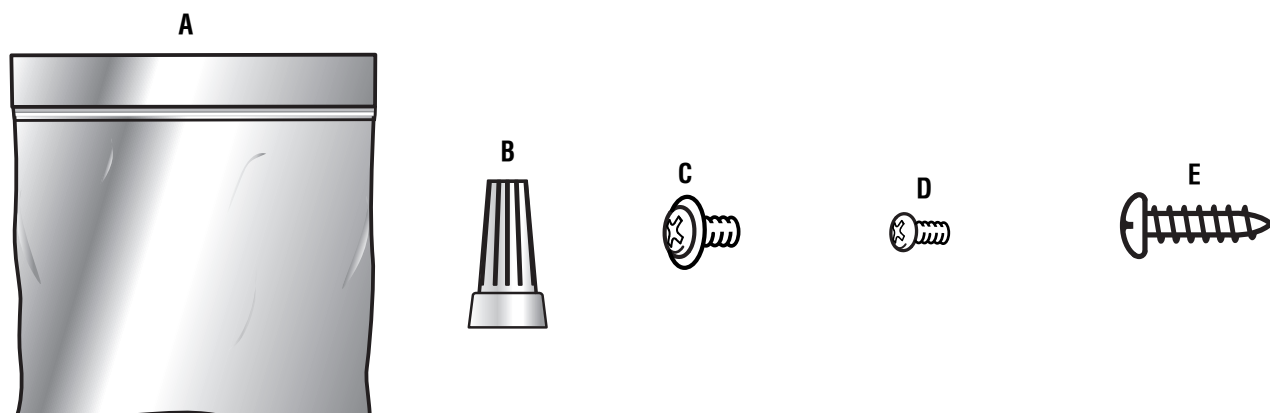
Ne pas essayer de modifier cet outil ou de créer des pièces ou accessoires non recommandés. De telles altérations ou modifications sont considérées comme un usage abusif et peuvent créer des conditions dangereuses, risquant d'entraîner des blessures graves.

NOTE : À des fins d'illustration dans le reste du manuel, seul le ventilateur de plafond Lancaster est montré. Le ventilateur Lexington a une apparence différente, mais s'installe de la même manière.



CONTENU DE L'EMBALLAGE

PIÈCES DE FIXATION DU VENTILATEUR DE PLAFOND

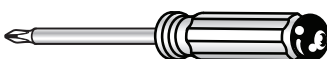


Num.	Description des pièces de fixation du matériel ci-joint	Quantité
A	Sac de pièces de fixation pour le Canada	1
B	Capuchons de connexion	4
C	Vis de pale (M5)	9
D	Vis du panneau d'ombrage (M3)	6
E	Vis de montage mural de la télécommande	2

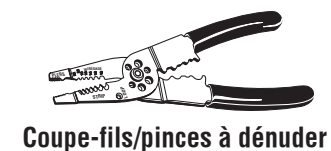
OUTILS NÉCESSAIRES



Tournevis à tête cruciforme



Escabeau



Tournevis à lame plate



Ruban isolant



FICHE TECHNIQUE

Vitesses (RPM) Élevée – 270/min
Moyenne – 180/min
Faible – 130/min

Débit d'air Élevée – 2 500 pi³/min
(pieds cubes à la minute) Moyenne – 1 560 pi³/min
Faible – 1 050 pi³/min

Température de couleur Blanc chaud à lumière du jour
de la DEL (2 700 K à 5 000 K)

Entrée 120 V c.a. seulement, 60 Hz, 0,58 A max.
Pile de la télécommande Pile bouton CR2032
Poids net environ 10 kg (24 lb)
Dégagement avec le plafond 31,4 cm (12-3/8 po)
Options de fixation au plafond Incliné, standard

INSTALLATION

AVANT DE COMMENCER

⚠ AVERTISSEMENT :

Pour réduire les risques d'incendie, de choc électrique ou de blessures, couper l'alimentation de la pièce et de l'interrupteur mural en enlevant les fusibles ou en mettant les disjoncteurs hors tension au besoin avant de commencer l'installation.

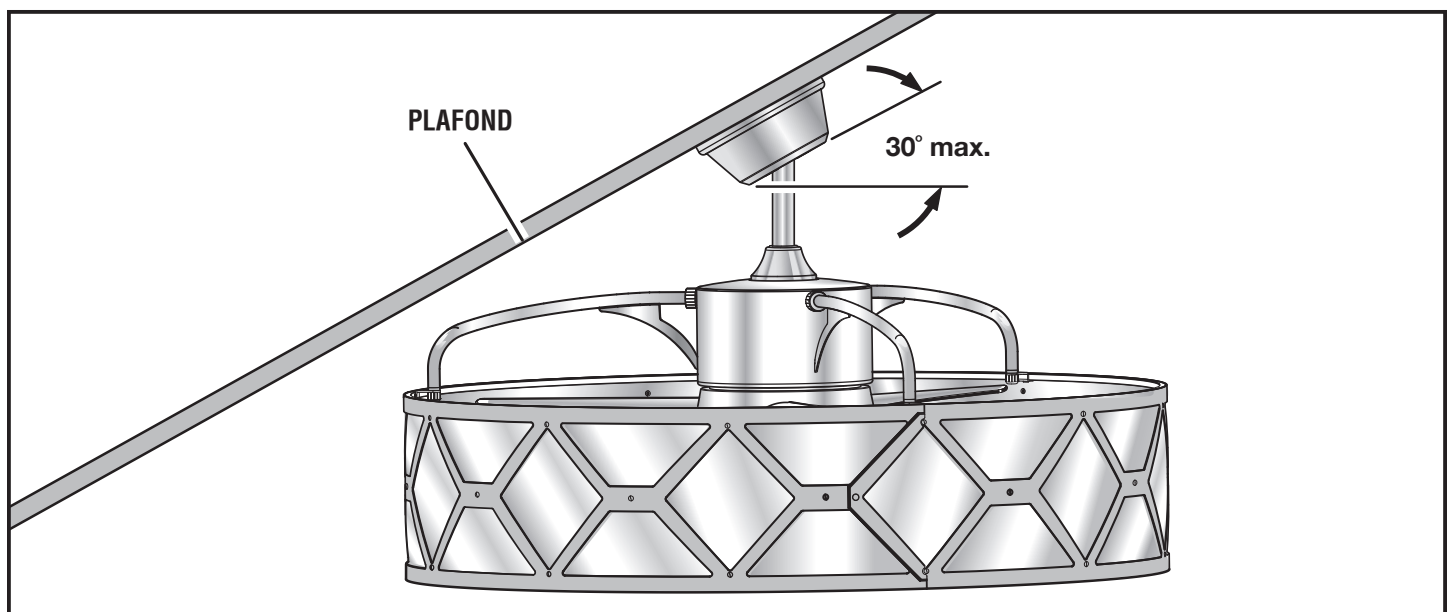
⚠ AVERTISSEMENT :

Monter le ventilateur uniquement à un boîtier de jonction en métal convenant aux ventilateurs et n'utiliser que les vis de montage fournies avec le boîtier de jonction. Les boîtiers de jonction en plastique et les boîtiers de jonction utilisés couramment pour le soutien de luminaires peuvent ne pas convenir aux ventilateurs et il peut être nécessaire de les remplacer. Si vous n'êtes pas certain que votre boîtier de jonction est approprié ou qu'elle est la méthode appropriée pour le montage de votre ventilateur de plafond, communiquer avec un électricien compétent.

- Si la pièce dans laquelle vous installez le ventilateur n'est pas pourvue d'un boîtier de jonction métallique homologué UL, en installer un avant d'aller de l'avant. Assurez-vous que le boîtier est monté directement à la structure de l'édifice à l'aide des vis pour solives de plafond fournies dans la boîte.
- Une fois le ventilateur installé, il doit y avoir au moins 7 pi de dégagement entre le bas du ventilateur de plafond et le plancher.
- Les plafonds mesurant plus de 8 pi peuvent nécessiter l'utilisation d'une tige-rallonge plus longue pour obtenir les meilleurs résultats.

NOTE : Si on utilise une tige plus longue, un fil de rallonge sera également nécessaire. Voir la section Accessoires plus loin dans ce guide pour déterminer la bonne taille de fil de rallonge pour correspondre à votre tige, puis se rendre à la boutique où ce ventilateur a été acheté ou appeler le service à la clientèle pour se le procurer.

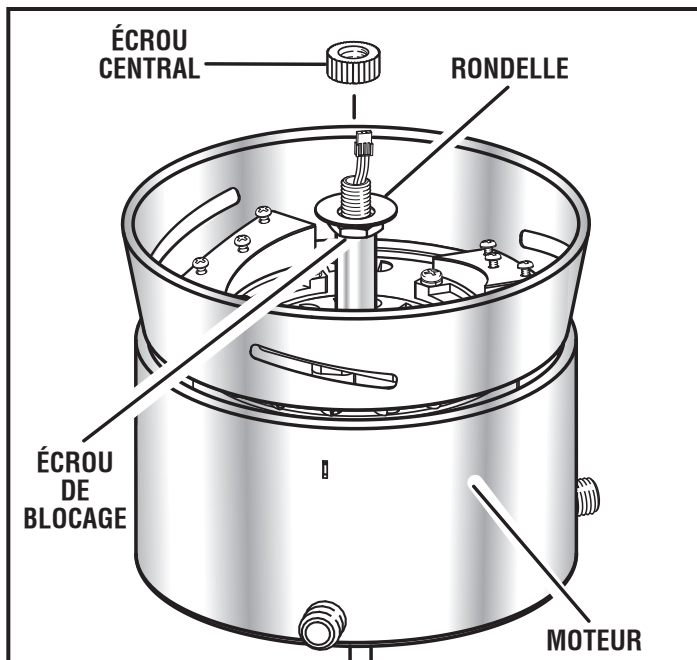
- Les plafonds inclinés ne doivent pas présenter un angle supérieur à 30° par rapport à la monture horizontale.



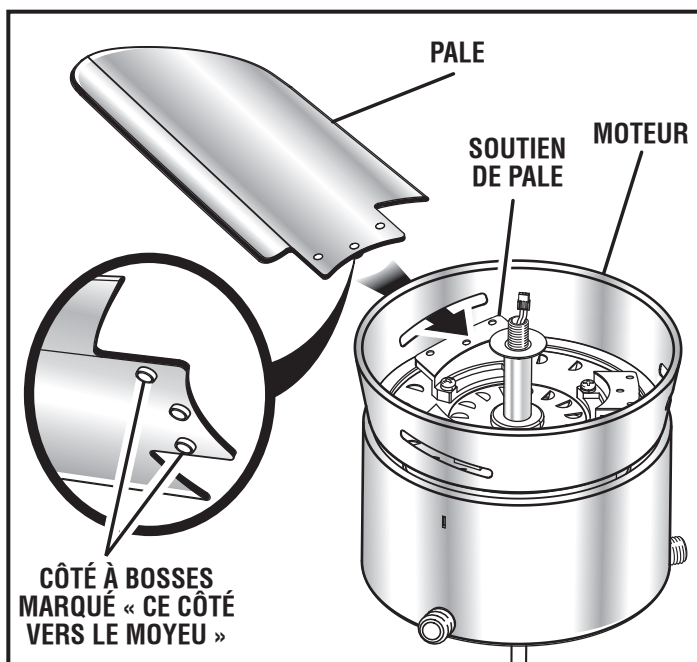
INSTALLATION

ASSEMBLAGE DU VENTILATEUR

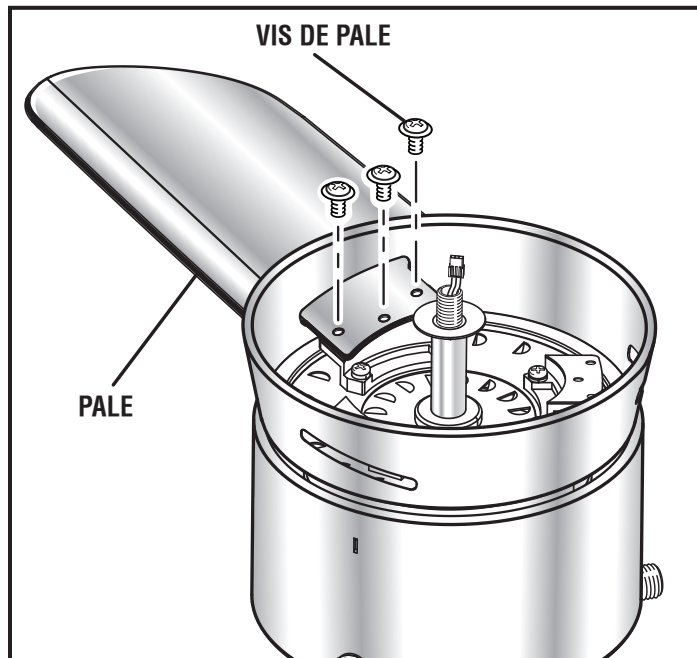
- Enlever l'écrou central de l'ensemble du moteur. Laisser la rondelle et l'écrou d'arrêt sur l'arbre et s'assurer que l'écrou d'arrêt se trouve au point le plus bas de l'arbre.



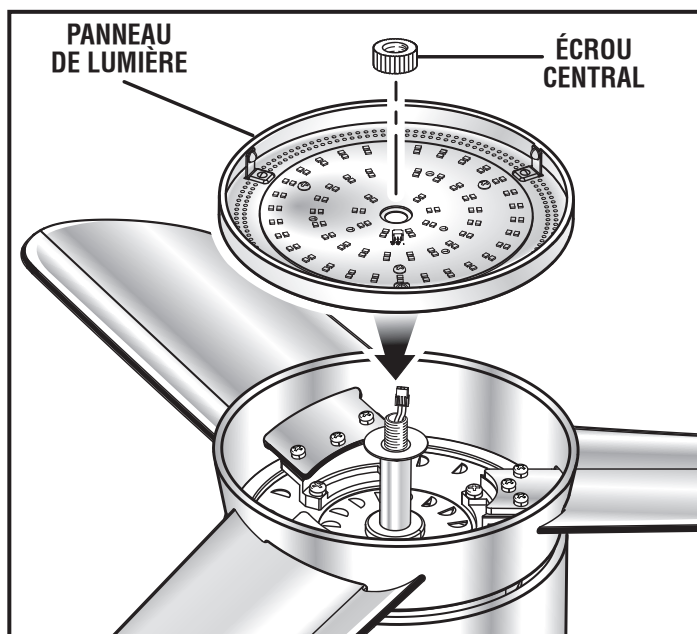
- En orientant le côté à bosses de la pale marquée « Ce côté vers le moyeu » vers l'ensemble du moteur, insérer la pale dans la partie extérieure du logement du moteur et sur le soutien de pale de telle sorte que les bosses reposent complètement dans les trous situés sur le soutien de pale.



- Installer les vis de pale et visser pour sécuriser la pale en place.



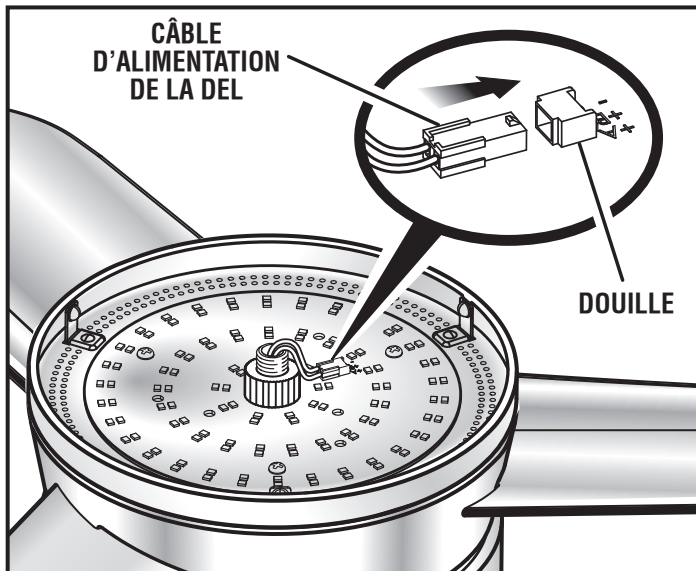
- Répéter les étapes ci-dessus pour poser les deux autres pales.
- Installer le panneau de lumière DEL comme il est illustré, puis remettre l'écrou central et visser fermement.



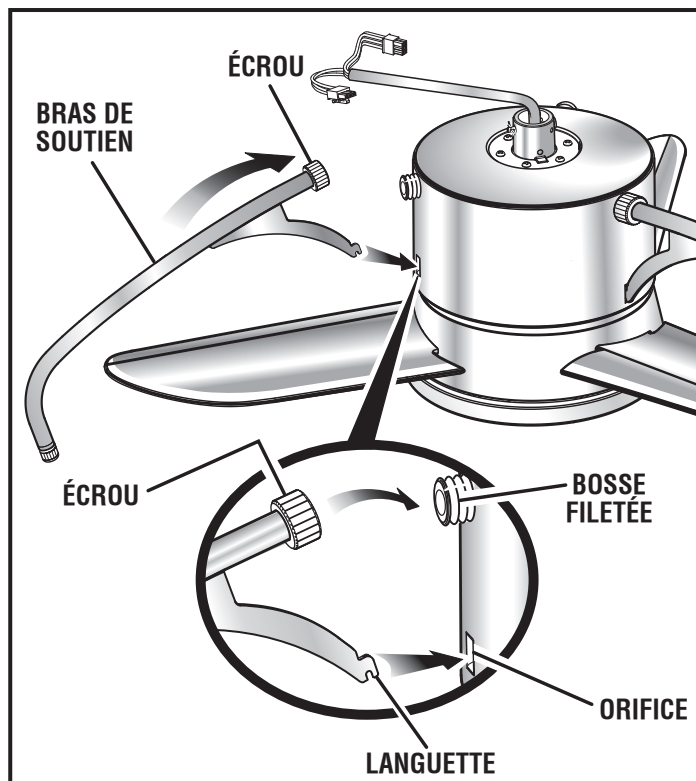
INSTALLATION

- Brancher le câble d'alimentation de la DEL dans la prise du panneau de lumière. Vérifier que la connexion est bien solide.

NOTE : Le connecteur et la prise sont adaptés pour se verrouiller dans le bon sens.

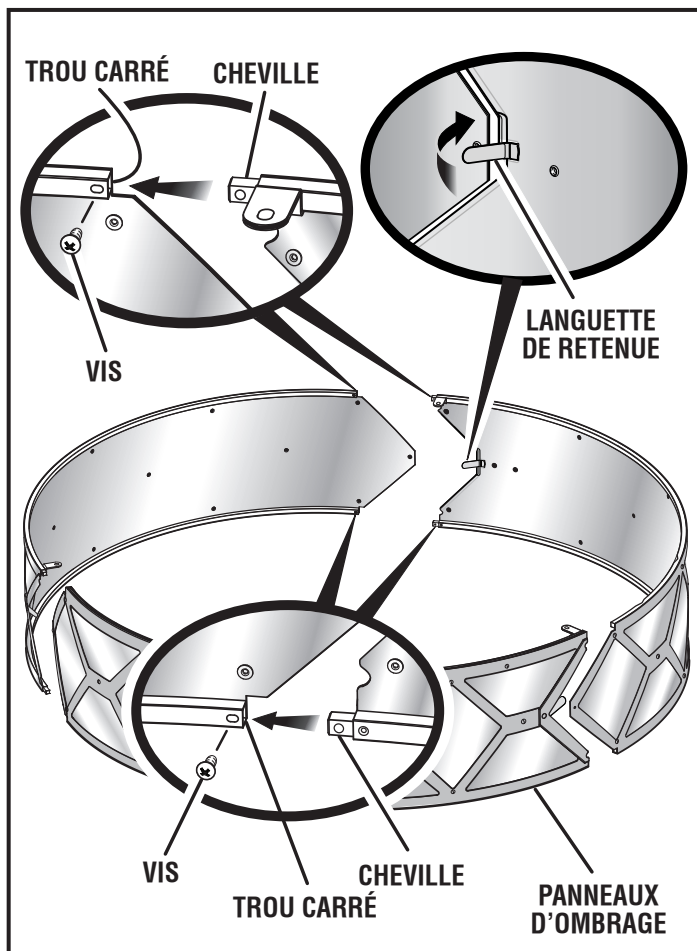


- Retourner l'ensemble du ventilateur à l'endroit pour terminer le reste de l'assemblage.
- Installer un bras de soutien en plaçant la languette du bras dans le trou du logement du moteur, puis incliner le bras vers le haut jusqu'à aligner l'écrou sur la bosse filetée du logement. Abaisser l'écrou sur le bras pour couvrir la connexion et bien serrer. Répéter pour installer les deux autres bras.



- Pour assembler l'ombrage, introduire la cheville d'un panneau d'ombrage dans le trou carré du panneau suivant, tout en alignant les trous de vis. Insérer une vis dans chaque trou et visser fermement. Répéter pour fixer le troisième panneau.

NOTE : Dès que l'assemblage est terminé, la bride de chaque panneau doit chevaucher la suivante. Pour les ventilateurs Lancaster uniquement, une languette de retenue se trouve sur le point diamanté où les panneaux se chevauchent. Tirer sur la languette de retenue avant d'emboîter les deux panneaux, puis la remettre à plat contre les panneaux.



- Mettre de côté l'ombrage assemblé jusqu'à ce que le ventilateur soit prêt à être accroché.

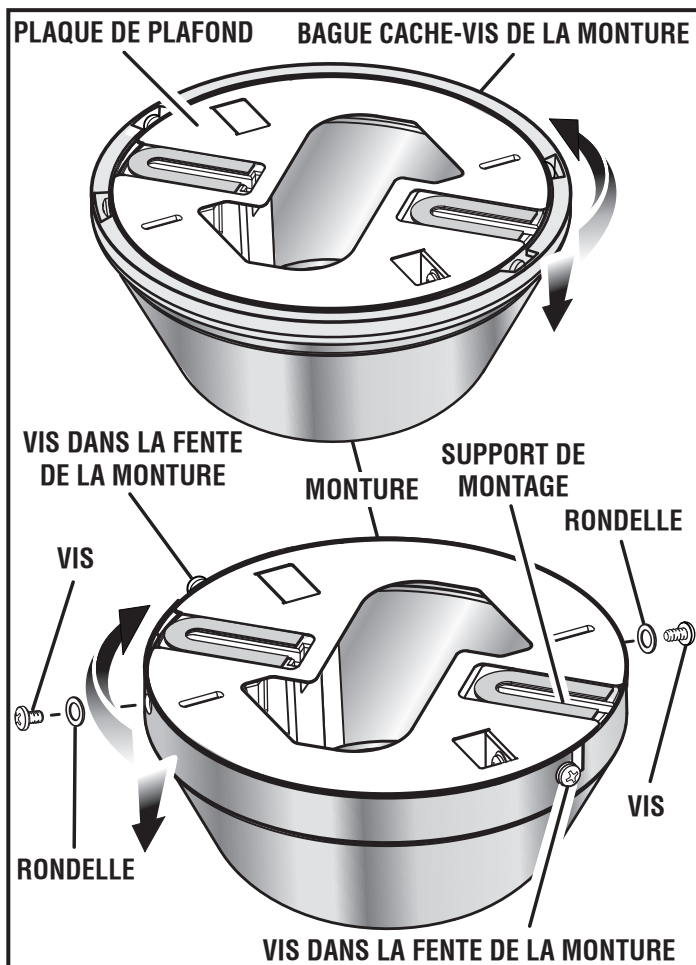
INSTALLATION

AVIS :

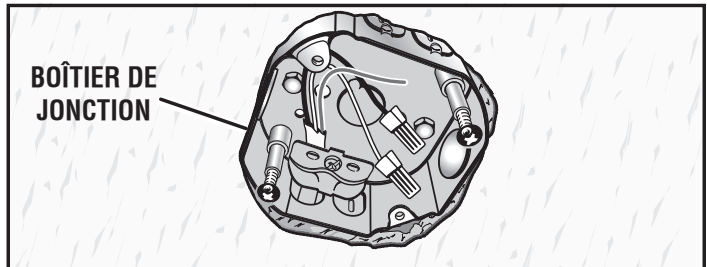
Le support de montage possède une plaque de plafond sur sa surface supérieure, pour que la boîte de sortie reste bien alignée sur la plaque de plâtre pendant l'installation du support. Pour vous aider à mieux comprendre certains des éléments discutés, la plaque n'est pas toujours montrée dans les illustrations. Cette information est fournie par souci de clarté. Ne pas retirer la plaque de plafond hors du support de montage.

INSTALLATION DE L'ENSEMBLE SUPPORT DE MONTAGE DU VENTILATEUR

- L'ensemble support de montage, la monture et la bague cache-vis de la monture sont assemblés aux fins d'expédition. Si vous ne l'avez pas déjà fait, séparer ces morceaux dès maintenant.
 - Tourner la bague cache-vis de la monture dans le sens contraire des aiguilles d'une montre pour la dégager.
 - Desserrer les deux vis situées dans les fentes de la monture.
 - Enlever les deux vis et rondelles qui fixent la monture à l'ensemble support de montage, puis tourner la monture dans le sens contraire des aiguilles d'une montre afin de la dégager des deux autres vis.



- Enlever le ventilateur de plafond ou la lumière existante où vous avez l'intention d'installer ce ventilateur de plafond. S'assurer que le boîtier de jonction existant convient aux ventilateurs de 35 lb et moins et qu'il est fermement fixé aux solives du plafond.



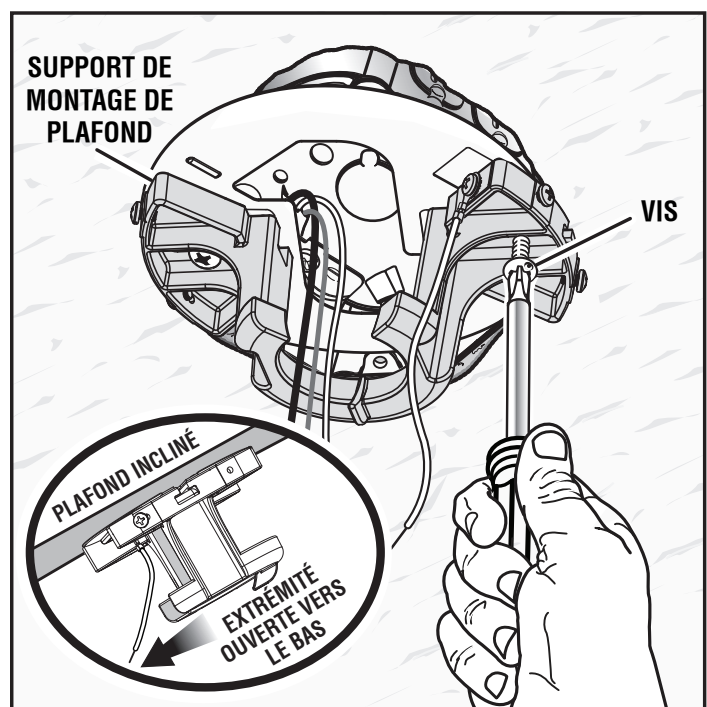
ARRÊT Pour les installations au Canada, consulter l'addenda Installation au Canada situé dans le sac de pièces de fixation pour le Canada et installer le boulon à œil ou l'ancrage dès maintenant.

- À l'aide des vis fournies avec le boîtier de jonction, fixer l'ensemble support de montage de plafond au boîtier de jonction, en faisant passer les fils d'alimentation de 120 V dans l'orifice situé dans le centre de l'ensemble support de montage.

NOTE : Si l'on installe l'ensemble dispositif de montage à angle, s'assurer que l'extrémité ouverte du support est installée face au point le plus bas du plafond.

AVIS :

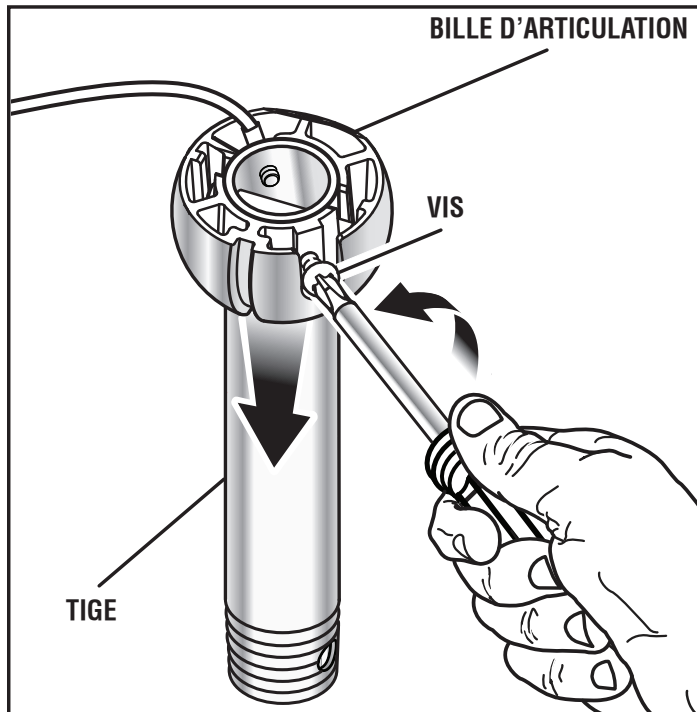
Veiller à ne pas trop serrer les vis, sinon la boîte de sortie s'enfoncera et n'affleura plus la plaque de plâtre. Dans ce cas, l'auvent ne pourra pas s'aligner correctement plus tard dans l'installation.



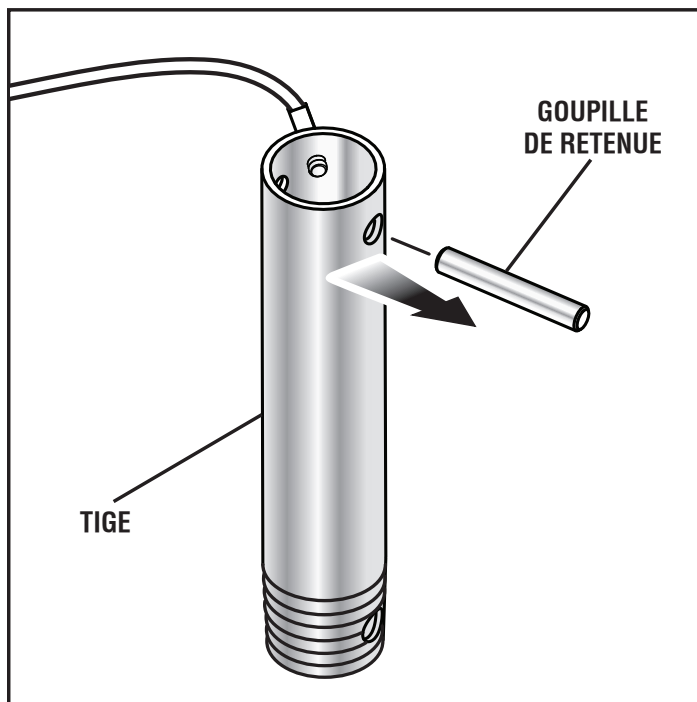
INSTALLATION

PRÉPARATION DU VENTILATEUR DE PLAFOND POUR LE MONTAGE

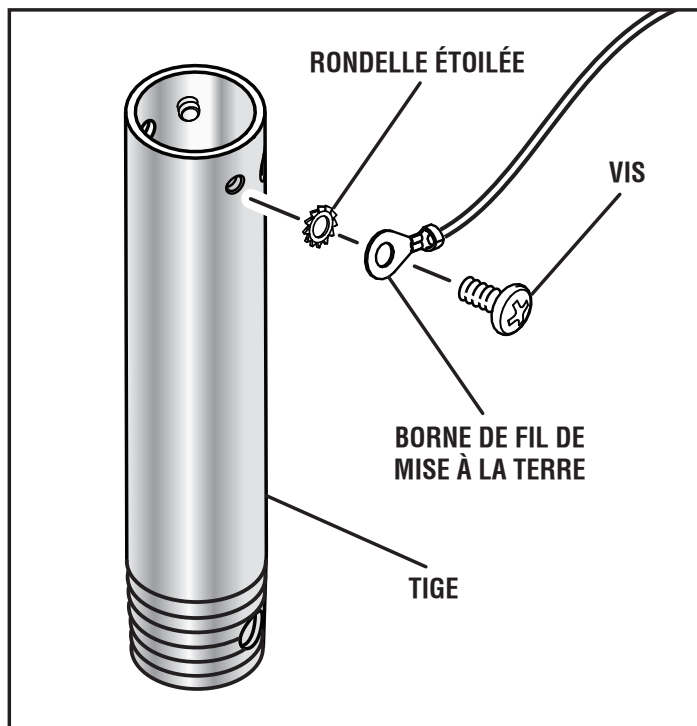
- Desserrer la vis retenant la bille d'articulation à la tige. Faire glisser la bille d'articulation vers le bas pour l'enlever de la tige et la mettre de côté.



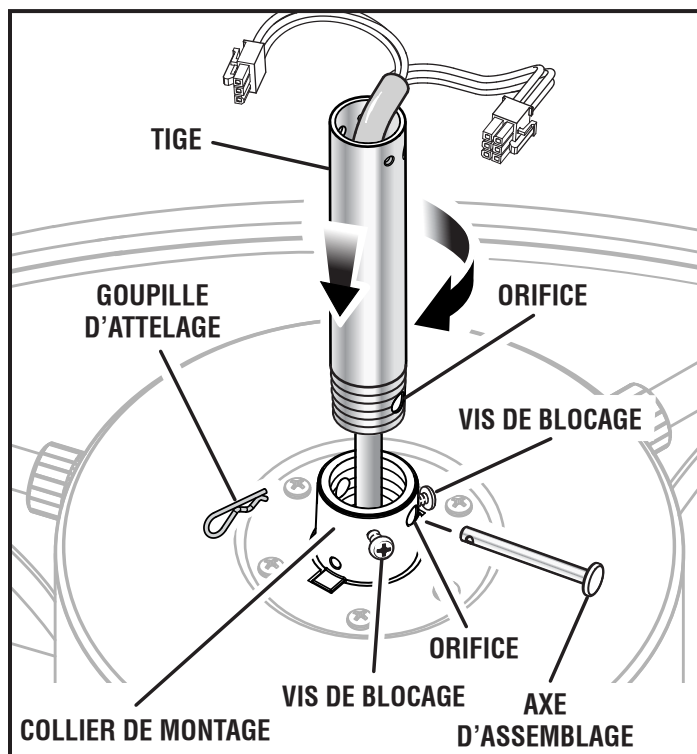
- Retirer la goupille de retenue de la tige.



- Retirer la vis et la rondelle étoilée qui servent à fixer la borne du fil de mise à la terre à la tige. Retirer le fil et le mettre de côté.

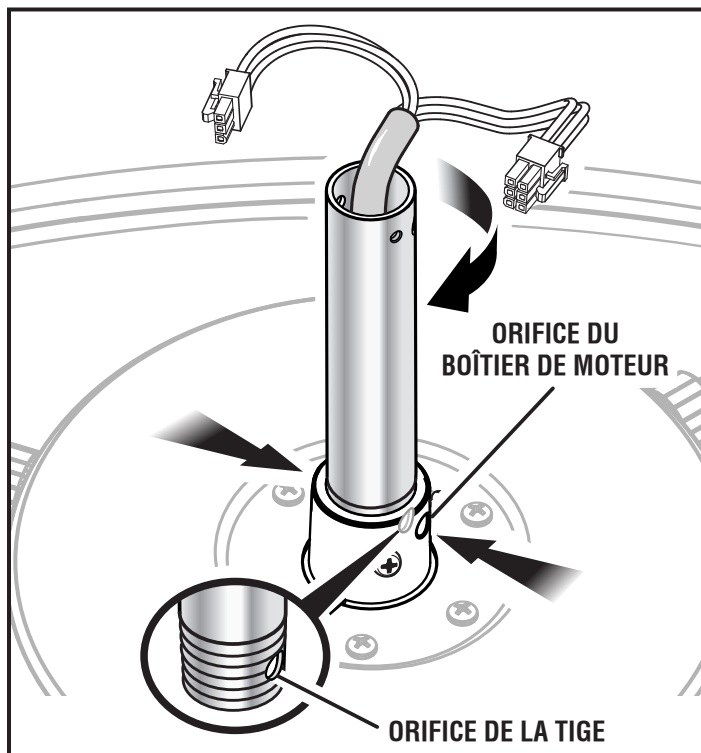


- Desserrer (mais ne pas enlever) les vis de blocage qui servent à fixer la tige au collier de fixation de l'ensemble ventilateur, puis retirer la goupille d'attelage et l'axe d'assemblage du collier de montage. Insérer avec soin le câblage électrique du ventilateur dans l'extrémité fileté de la tige.

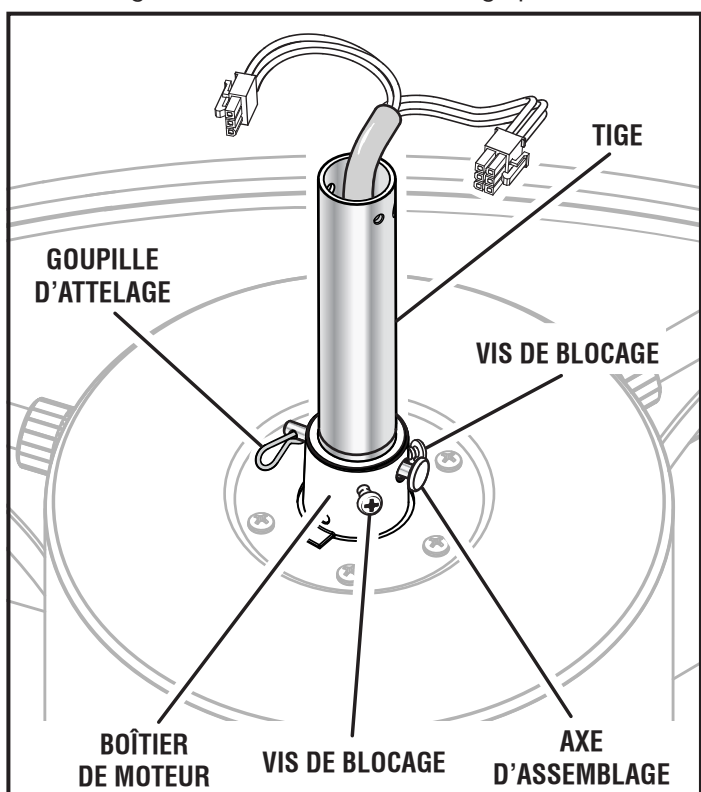


INSTALLATION

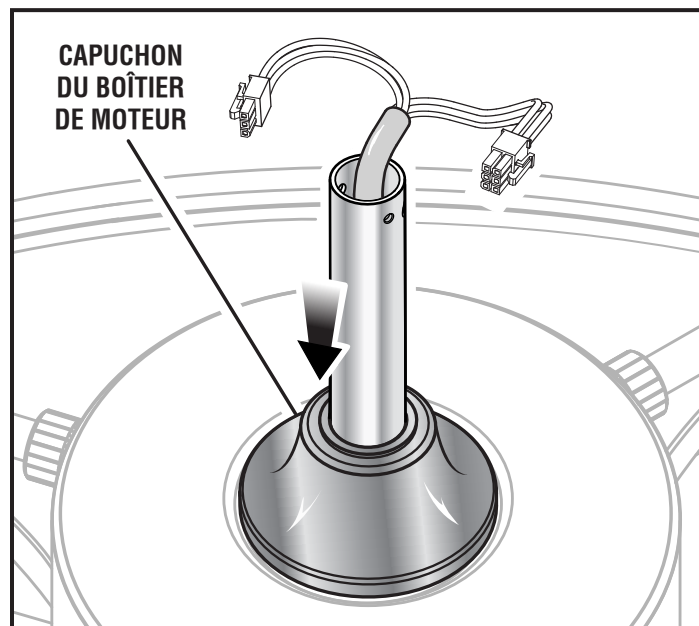
- Visser la tige dans le boîtier du moteur jusqu'à ce qu'elle atteigne le fond, puis la faire ressortir jusqu'à ce que l'orifice sur la tige soit aligné avec l'orifice dans le boîtier du moteur. Veiller à ne pas tordre le câblage électrique au moment de serrer.



- Installer l'axe d'assemblage à travers les trous dans le boîtier du moteur et la tige, puis réinsérer la goupille d'attelage. Resserrer les vis de blocage pour fixer.

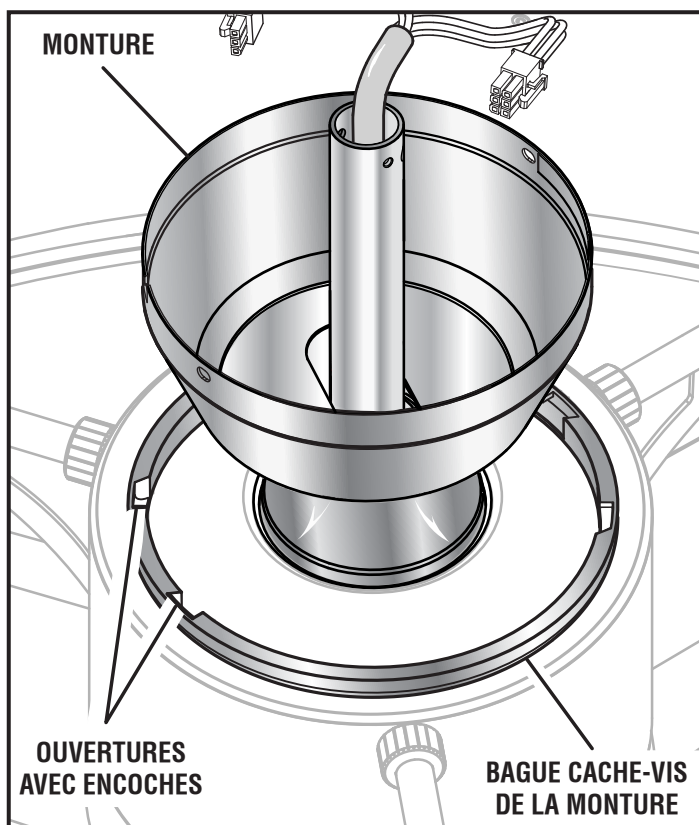


- Insérer soigneusement le câblage électrique du ventilateur dans le capuchon du boîtier du moteur, puis installer le capuchon, comme l'illustre la figure.



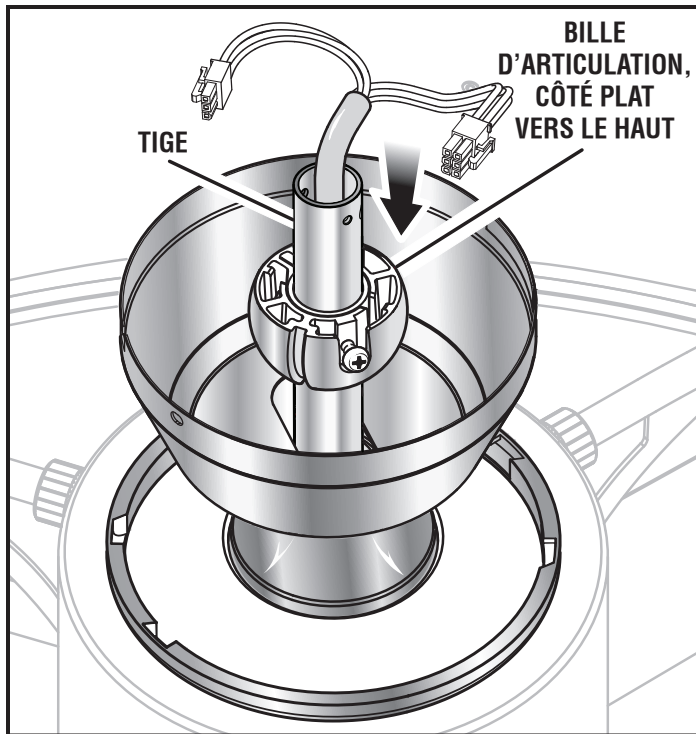
- Insérer soigneusement le câblage électrique du ventilateur dans la bague cache-vis de la monture et la monture, puis installer la bague cache-vis de la monture et la monture sur la tige, comme l'illustre la figure.

NOTE : S'assurer que les ouvertures avec encoches situées sur le bord de la bague cache-vis de la monture sont orientées vers le haut.

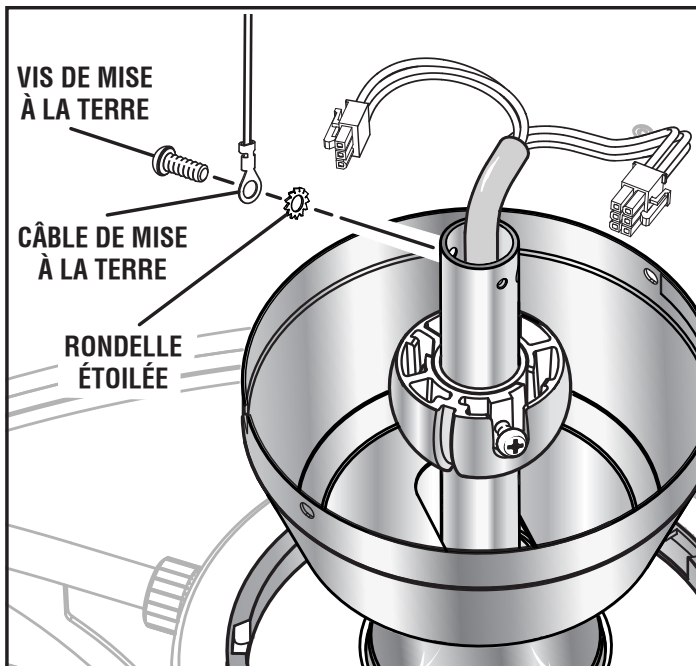


INSTALLATION

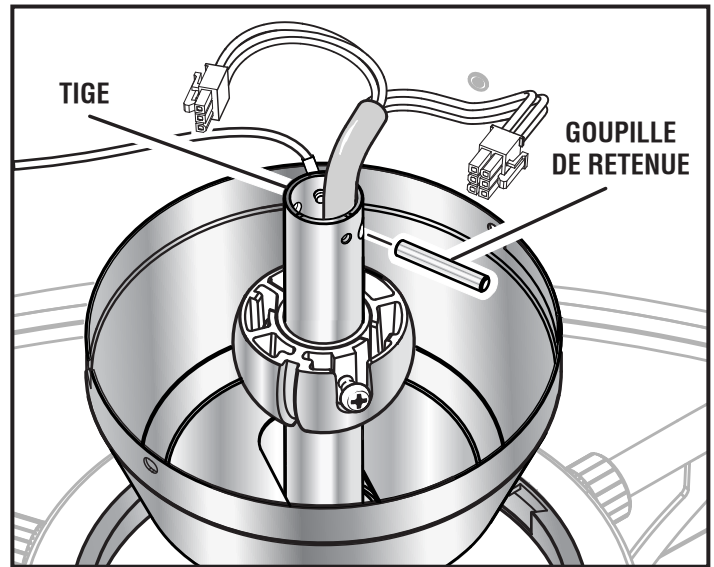
- Insérer soigneusement le câblage électrique du ventilateur dans la bille d'articulation, puis réinstaller la bille d'articulation sur la tige, côté plat vers le plafond.



- Réinstaller le fil de mise à la terre en l'orientant vers le haut. Pour assurer une mise à la terre appropriée, s'assurer que la rondelle étoilée est installée à l'endroit indiqué ci-dessous.



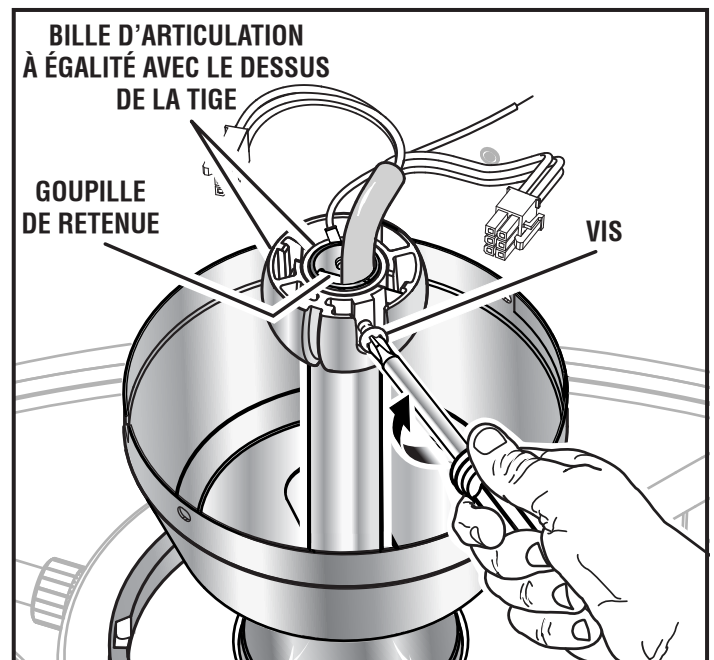
- Réinstaller la goupille de retenue dans la tige.



Pour les installations au Canada, consulter l'addenda Installation au Canada et installer le câble de soutien sur la goupille de retenue dès maintenant.

- Soulever la bille d'articulation jusqu'au-dessus de la tige jusqu'à ce que la goupille de retenue soit saisie. Serrer la vis pour fixer.

NOTE : Lorsque la bille d'articulation est orientée correctement, elle couvre également la vis de mise à la terre et sera à égalité avec le dessus de la tige.



Pour les installations au Canada, consulter l'addenda Installation au Canada et faire l'essai de la connexion du câble de support maintenant.

INSTALLATION

SUSPENSION DU VENTILATEUR DE PLAFOND

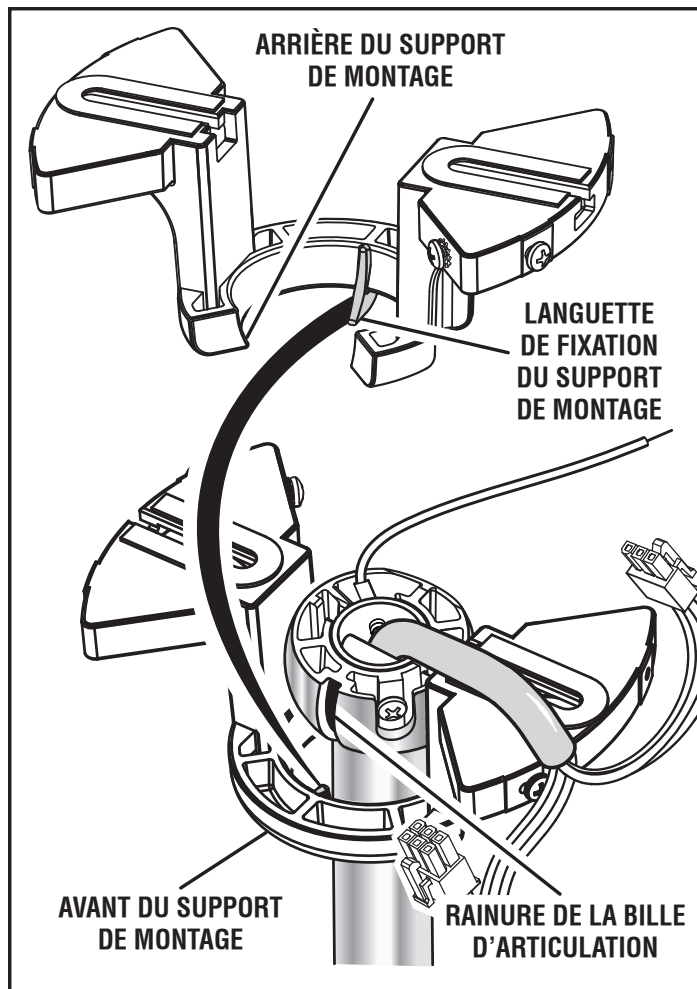
⚠ AVERTISSEMENT :

Une fois que vous commencez à suspendre le ventilateur de plafond, ne le laissez pas sans surveillance jusqu'à ce que le processus d'installation soit terminé. La chute d'un ventilateur pourrait causer des blessures graves ou la mort.

- Soulever doucement le ventilateur assemblé jusqu'à l'ensemble support de montage et insérer la bille d'articulation dans la douille du support de montage. Faire tourner le ventilateur au besoin de manière que la languette de fixation de la douille du support de montage s'insère dans la rainure de la bille d'articulation.

⚠ AVERTISSEMENT :

Le fait de ne pas insérer la languette de fixation du ventilateur dans la rainure du support de montage pourrait faire osciller le ventilateur et (ou) le faire tomber. La chute d'un ventilateur pourrait causer des blessures graves ou la mort.



INSTALLATION

CONNEXIONS ÉLECTRIQUES

⚠ AVERTISSEMENT :

S'assurer que le courant a été coupé de la pièce et de l'interrupteur mural avant de procéder aux connexions électriques. Tout manquement à cette directive pourrait causer un incendie, des chocs électriques, des blessures graves ou la mort.

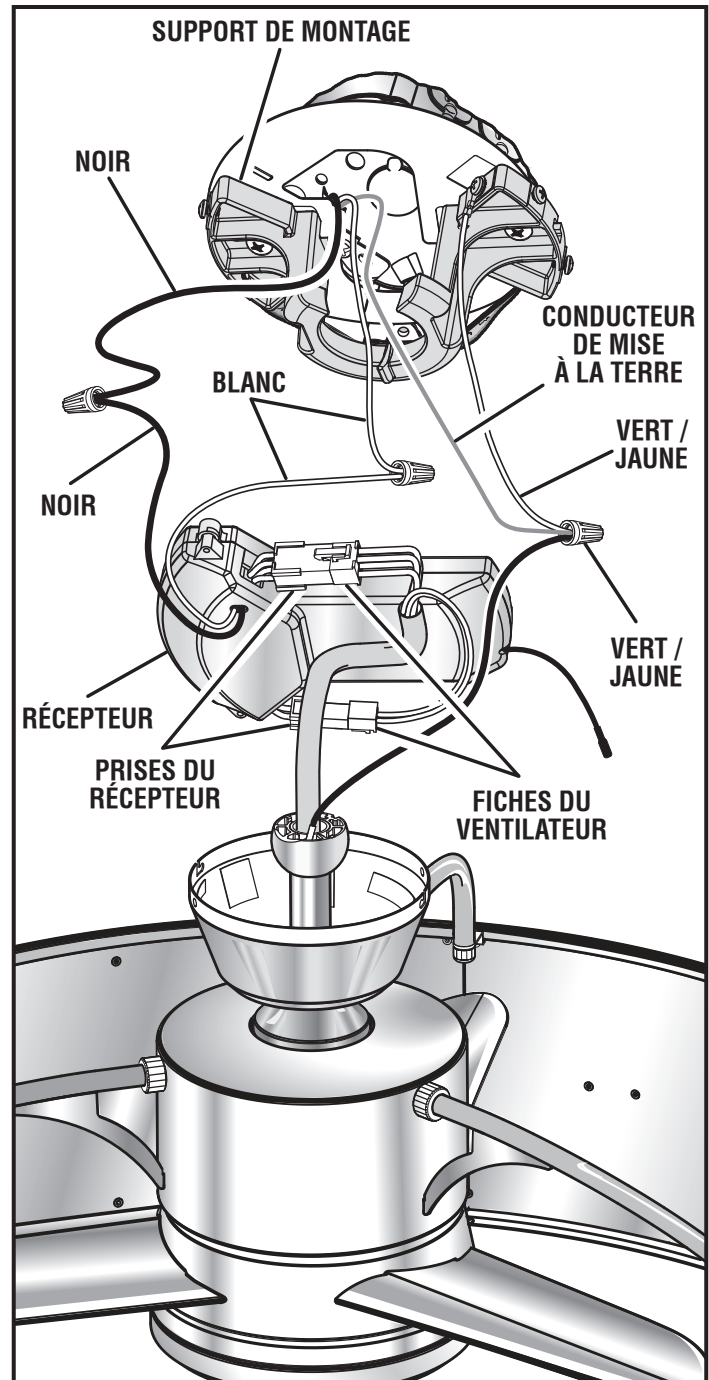
AVIS :

Lors de l'expédition, les fils électriques du ventilateur sont suffisamment longs pour la tige comprise. Pour utiliser une tige plus longue (non comprise), il est nécessaire de se procurer un fil de rallonge également. Voir la section *Accessoires* plus loin dans ce guide pour déterminer la bonne taille de fil de rallonge pour correspondre à votre tige, puis se rendre à la boutique où ce ventilateur a été acheté ou appeler le service à la clientèle pour se le procurer.

- Si votre boîtier de jonction est doté d'un fil de mise à la terre (vert ou en cuivre nu), le raccorder au fil de mise à la terre de la bille d'articulation du ventilateur de plafond. Si votre boîtier de jonction n'est pas doté d'un fil de mise à la terre, raccorder le fil de mise à la terre sur la bille d'articulation au fil de mise à la terre de l'ensemble support de montage.
- Vérifier que les fils blancs et noirs du boîtier électrique sont d'une longueur suffisante pour se connecter au récepteur, mais pas d'une longueur excessive pour empêcher le récepteur d'être installé dans l'ouverture du support de montage.
- Raccorder le fil blanc (neutre) au fil blanc du récepteur portant la mention **AC in N**.
- Raccorder le fil noir (chargé) au fil noir du récepteur portant la mention **AC in L**.

NOTE : Si votre boîtier électrique a des fils chargés rouge et noir, seul l'un de ces fils sera nécessaire. Choisissez le fil d'alimentation qui correspond à l'interrupteur mural que vous souhaitez utiliser pour votre ventilateur de plafond. Utiliser un capuchon de connexion et du ruban isolant pour assurer l'étanchéité de l'autre fil et le replacer dans le boîtier et hors de portée.

- Installer un capuchon de connexion en plastique sur chaque raccord pour fixer. Renforcer avec du ruban isolant au besoin, pour s'assurer qu'aucun fil nu est visible dans les capuchons de connexion (sauf un fil nu de mise à la terre, le cas échéant).
- Séparer les fils de manière que les fils vert / jaune et blanc soient d'un côté et le noir de l'autre, puis replier soigneusement toutes les connexions de fils dans le boîtier de jonction.



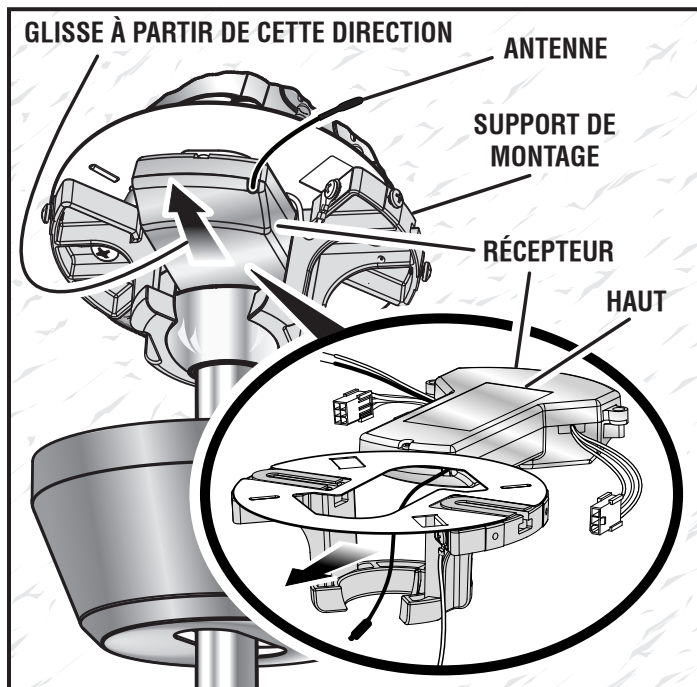
NOTE : Orienter les fils afin que les capuchons de connexion soient vers le haut et qu'ils ne se touchent pas entre eux. Cela permet de minimiser le bruit potentiel une fois l'installation terminée.



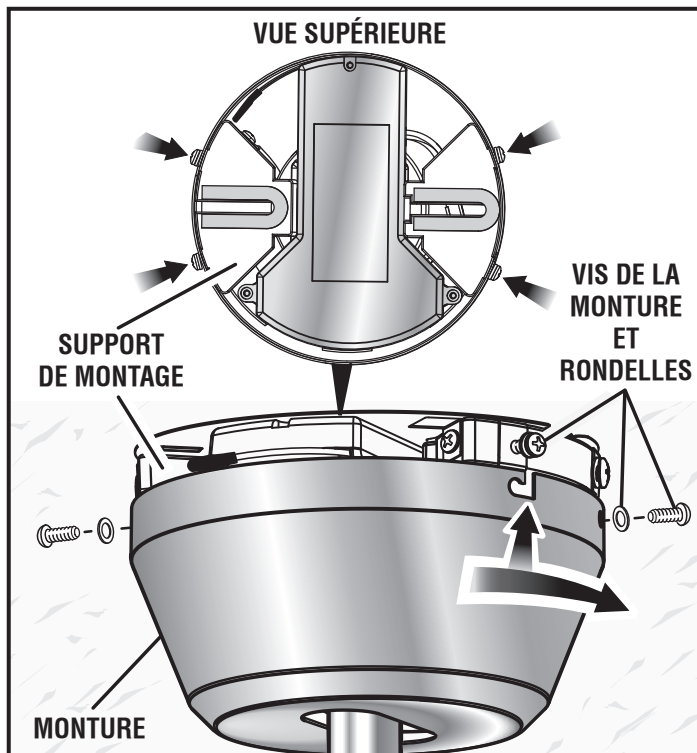
Pour les installations au Canada, consulter l'addenda Installation au Canada et brancher le câble de soutien au boulon à œil ou à l'ensemble d'ancrage dès maintenant.

INSTALLATION

- Placer le récepteur dans le haut du support de montage, côté plat vers le plafond. Rentrer l'antenne du récepteur et tous les fils par l'ouverture du support de montage et jusque dans le boîtier électrique en vous assurant de ne pas coincer les fils.

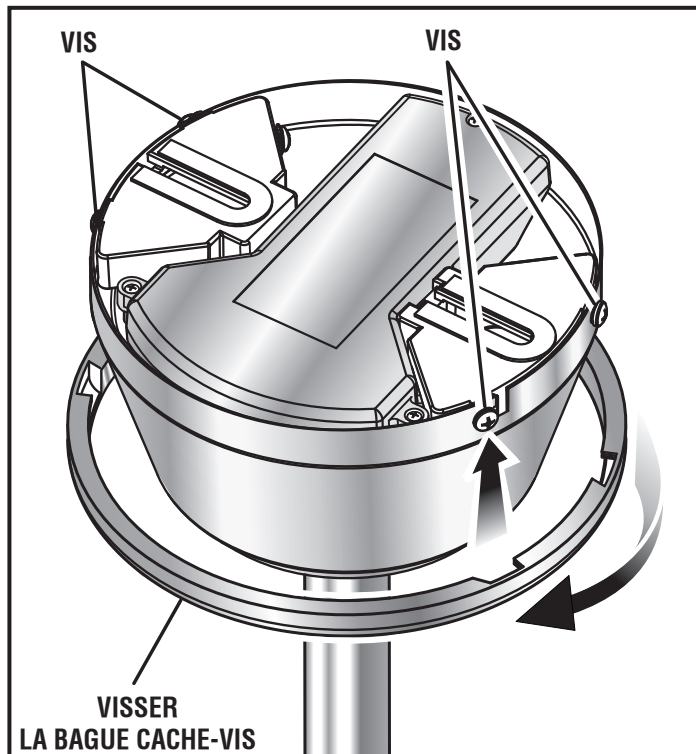


- Brancher les fiches du ventilateur au bout des fils électriques dans les prises correspondantes du récepteur.
- Faire glisser la monture en place et tourner dans le sens des aiguilles d'une montre pour la verrouiller à l'ensemble support de montage. Réinstaller les deux rondelles et vis (M4 x 6 mm) retirées auparavant et serrer à fond.

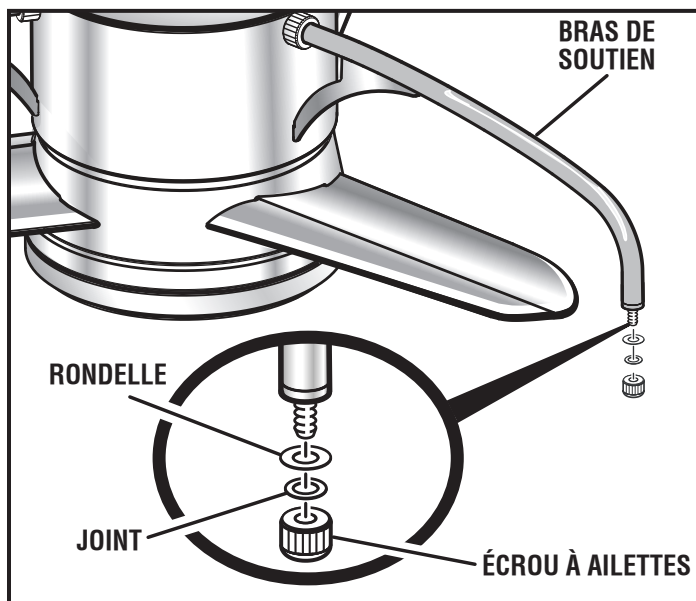


NOTE : Si l'auvent ne s'aligne pas sur les trous de vis, il est possible que les vis du support de montage du plafond ont été trop serrées lors de la fixation du support au boîtier de sortie. Enlever le ventilateur de plafond et desserrer les vis juste assez pour affleurer le boîtier de sortie sur la plaque de plâtre, mais pas trop pour éviter que le support du ventilateur de plafond ne soit plus sécurisé au boîtier de sortie.

- Remonter la bague cache-vis sur les vis et tourner dans le sens contraire des aiguilles d'une montre pour fixer en place.

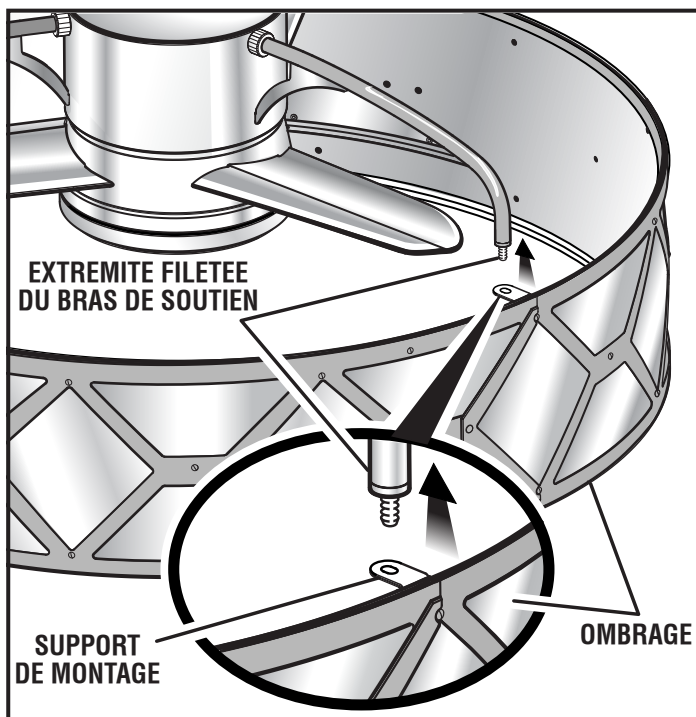


- Retirer les écrous à ailettes, les joints et les rondelles au bout des bras de soutien.

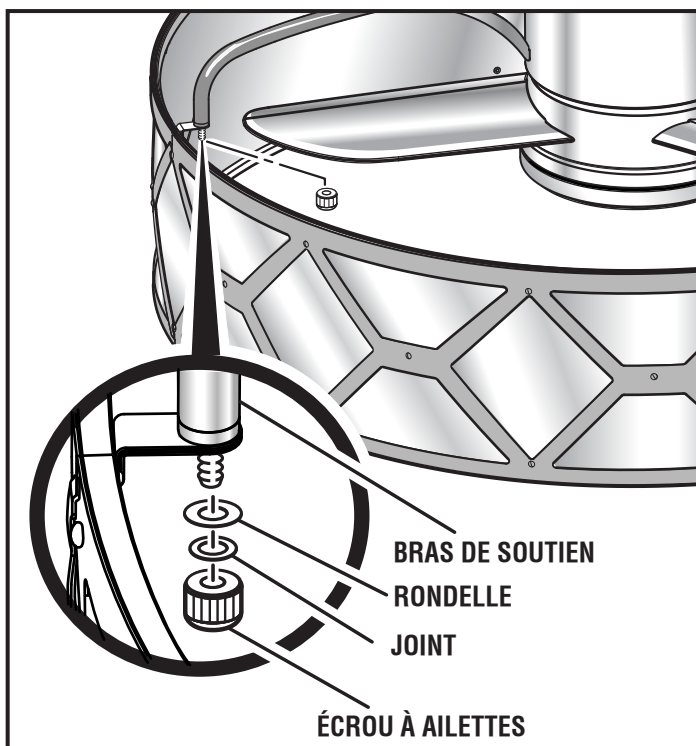


INSTALLATION

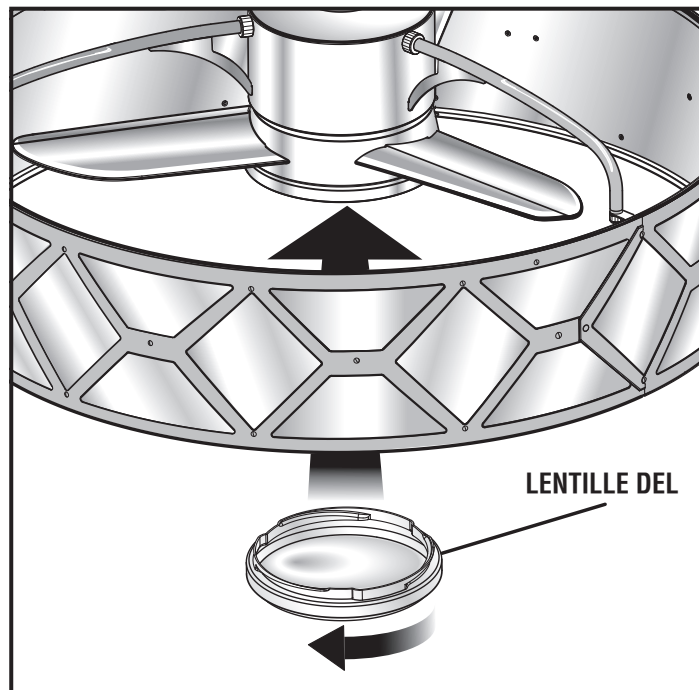
- Placer le support de montage de l'ombrage assemblé à l'endroit, puis aligner les supports de montage sur les extrémités filetées des bras de soutien de sorte à passer les extrémités dans les trous.



- Remettre les rondelles, les joints et les écrous à ailettes, puis serrer fermement.



- Installer la lentille et tourner dans le sens antihoraire pour sécuriser.



- Rétablir le courant dans la pièce et l'interrupteur mural, mais ne pas allumer l'interrupteur mural immédiatement.

INSTALLATION

UTILISATION DE LA TÉLÉCOMMANDE

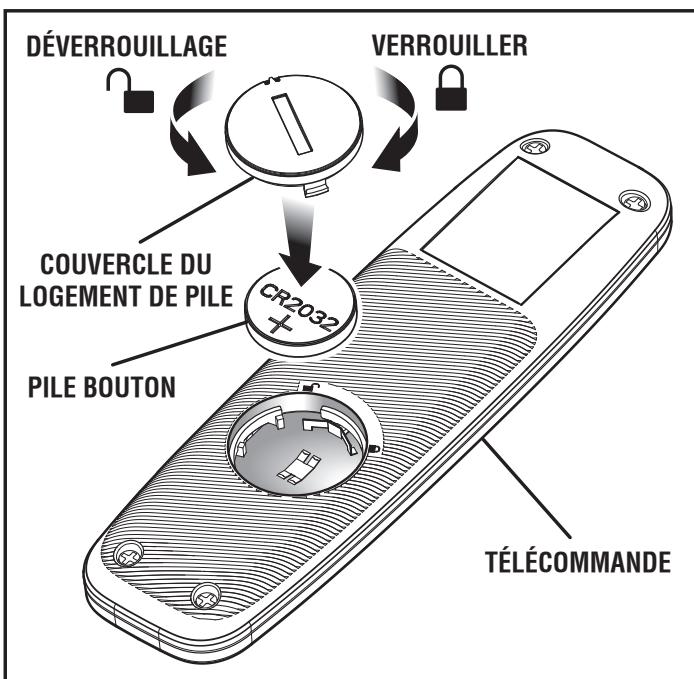
⚠ AVERTISSEMENT :

Risque de brûlure chimique. Garder les piles hors de la portée des enfants. Ce produit contient une pile bouton au lithium. Si une pile bouton au lithium, neuve ou usagée, est avalée ou entre dans le corps, elle peut causer des brûlures chimiques internes graves et causer la mort en moins de deux heures. Toujours bien fermer le compartiment contenant la pile. Si le compartiment qui contient la pile ne se ferme pas correctement, cesser d'utiliser le produit, retirer la pile et la garder hors de portée des enfants. Si vous pensez que les piles ont peut-être été avalées ou placées à l'intérieur d'une partie du corps, consulter immédiatement un médecin.

Conserver la pile bouton dans son emballage d'origine jusqu'à ce qu'on soit prêt à l'utiliser dans la télécommande. Jeter la pile bouton usagée immédiatement.

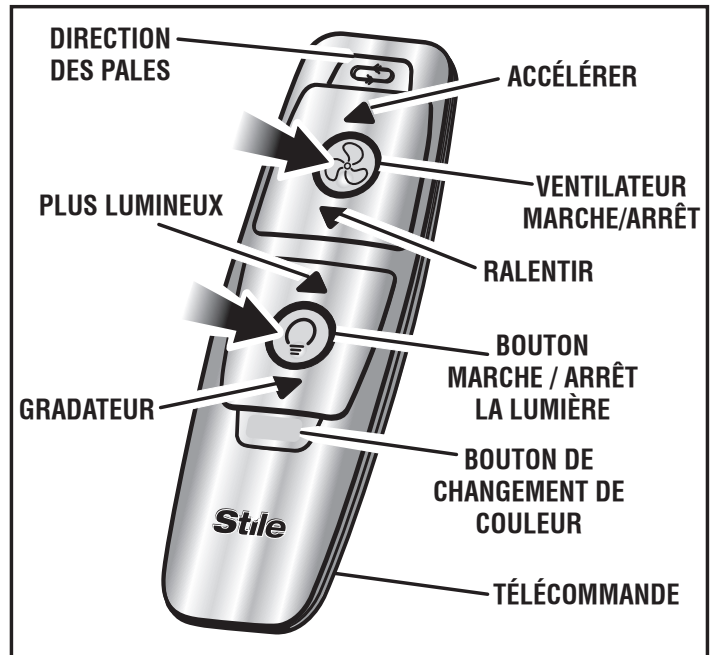
NOTE : Si vous ne l'avez pas déjà fait, rétablir le courant dans la pièce et l'interrupteur mural, mais ne pas allumer l'interrupteur mural. La télécommande n'aura aucune incidence sur le ventilateur si l'interrupteur est hors tension.

- Installer la pile bouton CR2032 fournie dans la télécommande comme illustré.



- Activer l'interrupteur mural pour alimenter le ventilateur. Pendant environ une minute après la mise sous tension de l'interrupteur, le ventilateur recherchera la télécommande. Pour jumeler la télécommande au ventilateur, maintenir enfoncés simultanément les boutons de ventilation (🌀) et d'éclairage (💡) de la télécommande pendant environ 5 secondes.

NOTE : Au total, trois télécommandes peuvent être jumelées au ventilateur. Répéter simplement l'étape ci-dessus pour jumeler chaque télécommande.



- Pour allumer et éteindre la lumière, appuyer et relâcher le bouton marche / arrêt la lumière (💡). Utiliser les flèches haut (▲) et bas (▼) pour régler l'intensité de la lumière.
NOTE : L'intensité de la lumière du ventilateur ne peut être commandée que par la télécommande. Un gradateur mural ne change pas la luminosité de l'éclairage.
- Pour modifier la couleur de la lumière, appuyer sur le bouton de changement de lumière. La lumière parcourra le spectre lumineux de blanc chaud à lumière du jour. Relâcher le bouton de changement de couleur dès que la lumière a atteint l'apparence souhaitée. Si le spectre lumineux est arrivé à la fin, relâcher le bouton et appuyer de nouveau pour revenir en arrière.
- Pour allumer et éteindre le ventilateur, appuyer sur le bouton marche/arrêt du ventilateur (🌀) et le relâcher. Utiliser les flèches vers le haut (▲) et vers le bas (▼) pour faire défiler les vitesses de ventilation faible, moyenne et haute.
- Pour modifier le sens de rotation des pales du ventilateur, laisser les pales s'arrêter complètement, puis appuyer sur le bouton de direction des pales (🌀).

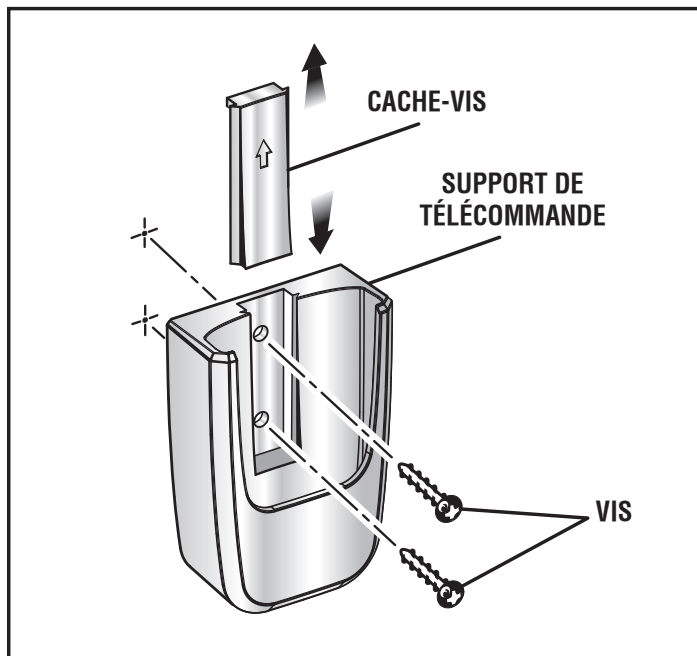
UTILISATION

Installation du support de télécommande :

- Enlever le cache-vis du support de télécommande.
- Installer le support de télécommande à l'endroit désiré en utilisant les deux vis de montage fournies.
- Replacer le cache-vis pour couvrir les têtes de vis.

⚠ AVERTISSEMENT :

Toujours jeter les piles usagées de manière appropriée, en veillant notamment à les garder hors de la portée des enfants. Même les piles boutons usagées peuvent causer des blessures.



N° DE MODÈLE : CFARC03

ID FCC : VMZCFARC03

Cet appareil est conforme à la section 15 des règlements de la FCC. On peut s'en servir sous réserve des deux conditions suivantes : 1) cet appareil ne doit pas provoquer d'interférences nocives; 2) il doit accepter toute interférence reçue, y compris les interférences qui peuvent causer un fonctionnement indésirable.

NOTE : LE MANDATAIRE N'EST PAS RESPONSABLE DES MODIFICATIONS OU DES CHANGEMENTS NON EXPRESSÉMENT APPROUVÉS PAR LA PARTIE RESPONSABLE DE LA CONFORMITÉ. CES MODIFICATIONS PEUVENT ANNULER L'AUTORITÉ DE L'UTILISATEUR À FAIRE FONCTIONNER L'APPAREIL.

Le présent appareil est conforme aux CNR d'Industrie Canada applicables aux appareils radio exempts de licence. L'exploitation est autorisée aux deux conditions suivantes : (1) l'appareil ne doit pas produire de brouillage, et (2) l'utilisateur de l'appareil doit accepter tout brouillage radioélectrique subi, même si le brouillage est susceptible d'en compromettre le fonctionnement.

UTILISATION

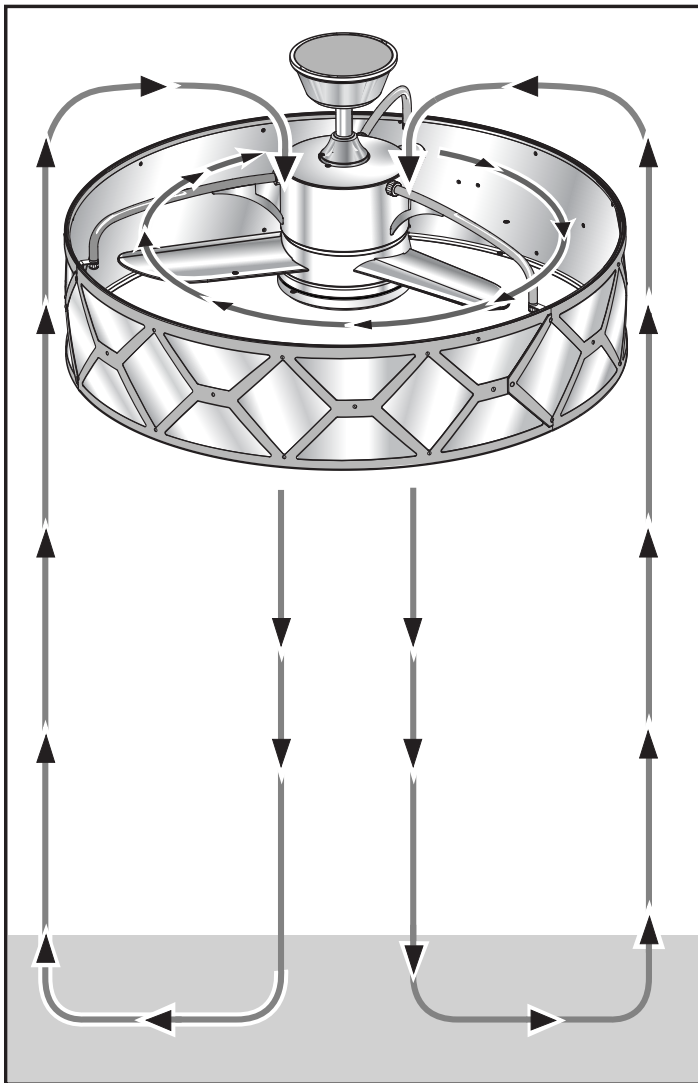
DÉTERMINER LA DIRECTION DU DÉBIT D'AIR

Le choix de la bonne direction du débit d'air du ventilateur de plafond améliore le rendement du ventilateur et rend son utilisation plus agréable. Pour changer la direction du débit d'air, utiliser le bouton de direction des pales (↻) en haut de la télécommande du ventilateur de plafond.

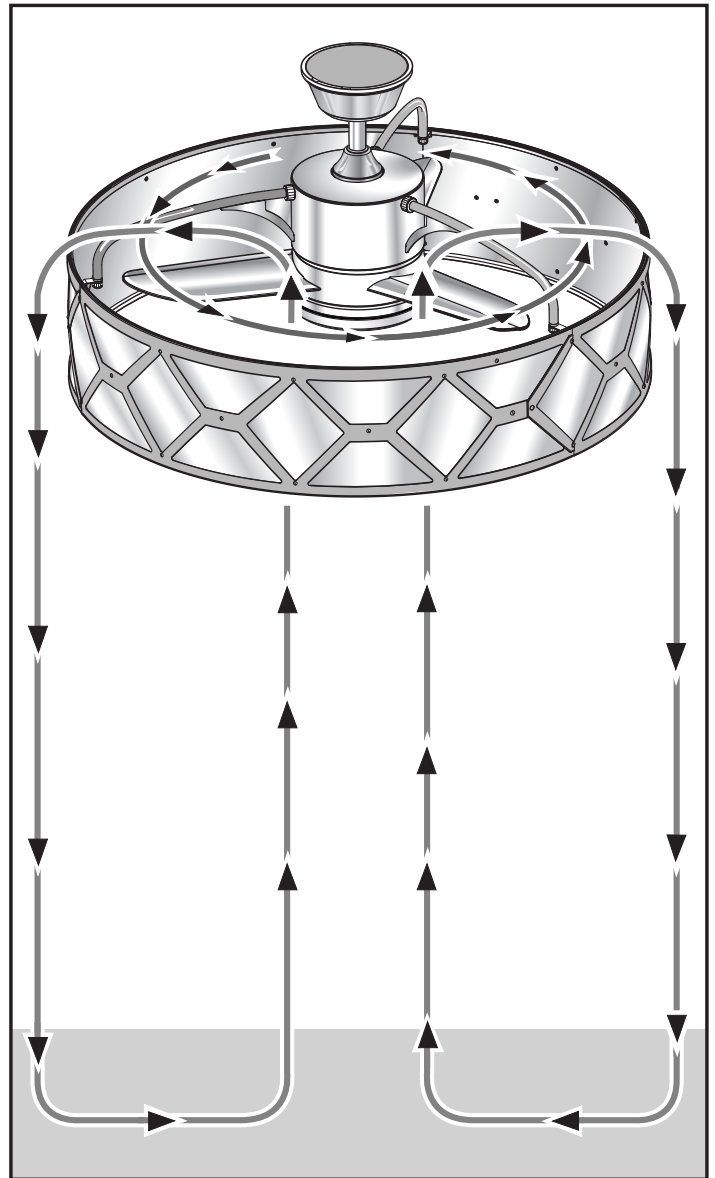
AVIS :

Toujours laisser le ventilateur de plafond s'arrêter complètement avant de changer la direction du ventilateur.

- Choisissez une direction de pales dans le sens horaire pour fournir un débit d'air vers le bas. Par temps chaud, cette direction fournit une brise constante, créant un effet de refroidissement pour les occupants de la pièce.



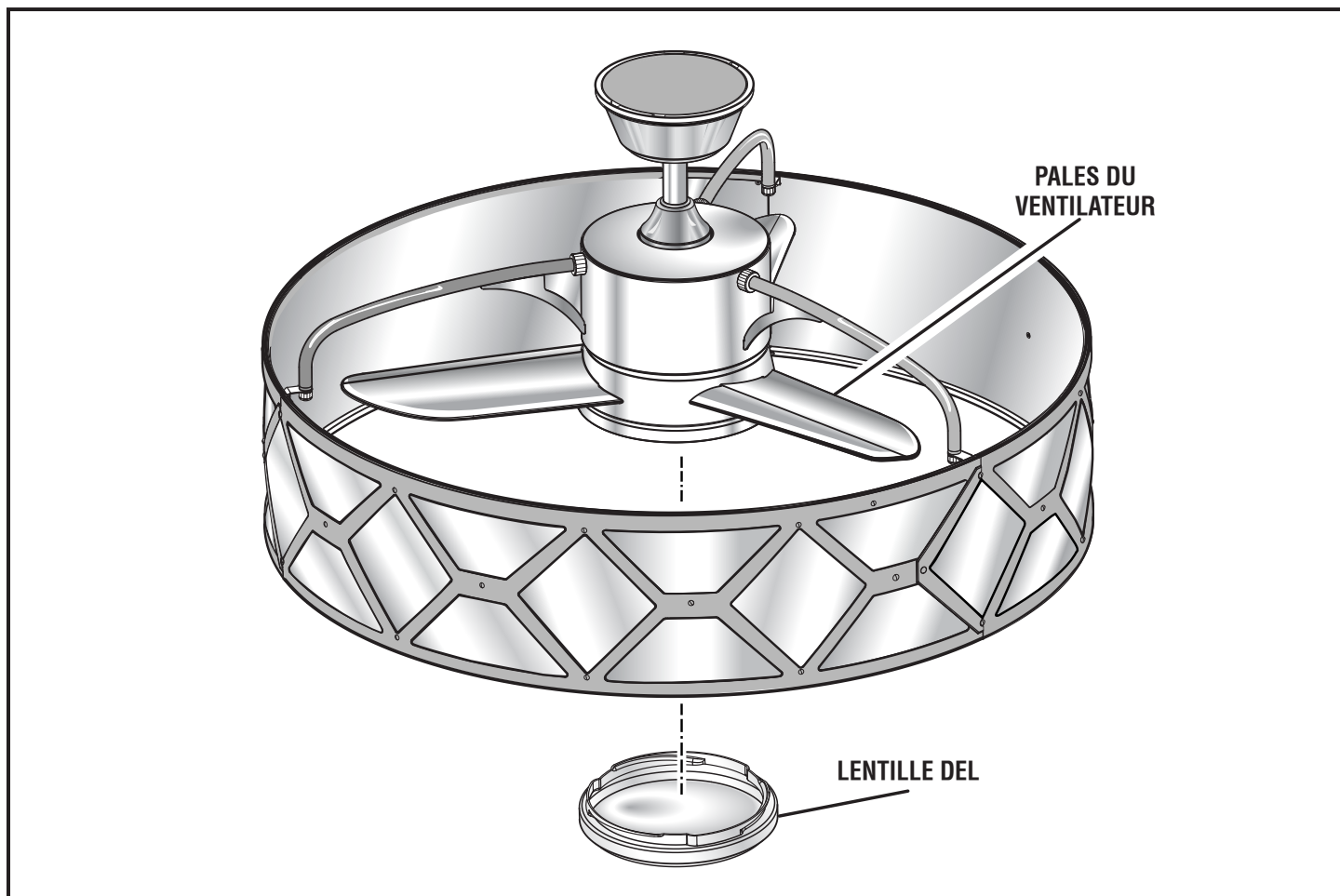
- Par temps frais, choisissez une direction de pales dans le sens antihoraire pour fournir un débit d'air vers le haut. Cela aide à faire circuler l'air chaud au niveau du plafond vers le bas de la pièce.



ENTRETIEN

ENTRETIEN ET NETTOYAGE GÉNÉRAL

- En raison du mouvement naturel d'un ventilateur de plafond, les connexions peuvent devenir lâches au fil du temps. Vérifier toutes les connexions du ventilateur de plafond (à l'exception des connexions électriques) au moins deux fois par année.
- Le ventilateur est doté de roulements à billes lubrifiés scellés, par conséquent aucune lubrification n'est requise.
- Nettoyer le ventilateur régulièrement pour qu'il conserve une belle apparence au fil du temps. Utiliser uniquement une brosse à soies douces ou un chiffon sans charpie pour éviter d'égratigner le fini. Le placage est scellé avec un vernis-laque afin de minimiser les changements de couleur ou le ternissement. Ne pas utiliser l'eau pour le nettoyage, car cela pourrait endommager le moteur ou provoquer un choc électrique.
- Nettoyer régulièrement les pales du ventilateur avec un linge doux et sec. Ne pas utiliser d'eau ou d'autres liquides pour nettoyer les pales du ventilateur.
- Si des débris visibles se trouvent au-dessus de la lentille DEL, tourner la lentille dans le sens antihoraire pour la retirer. Enlever les débris présents et nettoyer au besoin le couvercle avec un linge doux et sec. Remettre la lentille et tourner dans le sens horaire pour sécuriser.



DÉPANNAGE

AVERTISSEMENT :

Couper l'alimentation de la pièce et de l'interrupteur mural en enlevant les fusibles ou en mettant les disjoncteurs hors tension au besoin avant de commencer à réparer le ventilateur de plafond ou les connexions électriques. Tout manquement à cette directive peut causer des blessures graves.

PROBLÈME	CAUSES POSSIBLES
Le ventilateur ne démarre pas.	<p>L'interrupteur mural est hors tension. Mettre l'interrupteur mural sous tension.</p> <p>Le disjoncteur a sauté ou le fusible est brûlé. Réinitialiser le disjoncteur ou remplacer le fusible.</p> <p>Le câblage du ventilateur de plafond n'a pas été raccordé correctement. Vérifier les connexions électriques du ventilateur de plafond. Si vous êtes incapable de détecter le problème, consulter un électricien.</p>
Le ventilateur est bruyant.	<p>Un certain bruit est naturel pendant la période de rodage du ventilateur. Prévoir une période de rodage minimale de 24 heures. La plupart des bruits associés à un ventilateur neuf se résorberont après cette période.</p> <p>Les vis du boîtier de ventilateur de plafond sont lâches. S'assurer que toutes les vis du boîtier sont serrées fermement.</p>
Le ventilateur oscille.	<p>La bille d'articulation n'est pas insérée dans la fente située sur le support de montage du ventilateur. Consulter la section Suspension du ventilateur de plafond à la page 12 des présentes directives afin de s'assurer que le ventilateur de plafond est installé correctement.</p> <p>Le boîtier de jonction n'est pas fermement fixé aux solives du plafond. Serrer les vis du boîtier de jonction ou utiliser des vis plus longues, au besoin, pour le fixer fermement.</p>
La télécommande ne fonctionne pas.	<p>L'interrupteur mural est hors tension. Mettre l'interrupteur mural sous tension.</p> <p>Le pile de la télécommande est déchargées. Remplacer le pile bouton CR2032 de la télécommande.</p> <p>L'interrupteur mural possède un régulateur de vitesse transistorisé. Ne pas utiliser un interrupteur mural à régulateur de vitesse variable (p. ex., un gradateur).</p> <p>La télécommande n'est pas jumelée. Pour jumeler, éteindre l'interrupteur mural, puis le rallumer. Une minute après avoir allumé l'interrupteur, maintenir les boutons du ventilateur (⊗) et de l'éclairage (⊘) enfoncés simultanément pendant environ 5 secondes.</p>

ACCESSORIES

Rechercher ces accessoires où vous avez acheté ce produit ou en appelant au 1-877-258-9740 pour commander :

- | | |
|---|---|
| ■ 304,8 mm (12 po) Fil de rallonge.....039858008120 | ■ 121,9 cm (48 po) Fil de rallonge.....039858008480 |
| ■ 457,2 mm (18 po) Fil de rallonge.....039858008180 | ■ 152,4 cm (60 po) Fil de rallonge.....039858008600 |
| ■ 609,6 mm (24 po) Fil de rallonge.....039858008240 | ■ 182,9 cm (72 po) Fil de rallonge.....039858008720 |
| ■ 914,4 mm (36 po) Fil de rallonge.....039858008360 | ■ Télécommande009863001604 |

AVERTISSEMENT :

Les outils et accessoires disponibles actuellement pour cet produit sont listés ci-dessus. Ne pas utiliser d'outils ou accessoires non recommandés pour cet produit. L'utilisation de pièces et accessoires non recommandés pouvant entraîner des blessures graves.

GARANTIE

Garantie limitée à vie

ÉLÉMENTS COUVERTS PAR LA PRÉSENTE GARANTIE : Pour l'acheteur d'origine seulement, le moteur de votre ventilateur de plafond StileMC est garanti exempt de défauts de matériaux et de fabrication pendant toute sa durée utile. Toutes les autres pièces du ventilateur de plafond sont garanties exemptes de défauts de matériaux et de fabrication pendant une période de un an.

COMMENT OBTENIR DU SERVICE : Pour obtenir des pièces de rechange ou de l'entretien au titre de la garantie, veuillez communiquer avec un représentant du service de One World Technologies, Inc., P.O. Box 1288, Anderson, SC 29622, en composant le 1 877 258-9740 ou en ouvrant une session sur le site www.TheStileLife.com. Lorsque vous demandez un service au titre de la garantie, vous devez également présenter une preuve d'achat, qui comprend la date d'achat (p. ex., une facture). Nous réparerons tout défaut de fabrication et réparerons ou remplacerons toute pièce défectueuse, à notre gré. Nous le ferons gratuitement.

ÉLÉMENTS NON COUVERTS : La présente garantie s'applique uniquement à l'acheteur au détail d'origine et ne peut être transférée. La présente garantie ne couvre pas les défaillances ou les défauts découlant d'une mauvaise utilisation, d'une utilisation abusive, de l'usure normale, de négligence, d'une altération, de modifications ou de réparations effectuées ailleurs que dans les centres de service autorisés. La présente garantie ne couvre pas les dommages causés par une mauvaise installation ou l'utilisation de pièces non fournies ou non approuvées par le fabricant pour l'utilisation avec ce ventilateur. Un certain niveau d'« oscillation » est normal et n'est pas un défaut. En raison des conditions climatiques variables, cette garantie ne couvre pas les changements dans le fini attribuables à la rouille, les piqûres, le ternissement, la corrosion ou le pelage. Toujours protéger le ventilateur des variations de conditions climatiques.

Tous les frais associés au retrait et à la réinstallation sont la responsabilité explicite de l'acheteur. One World Technologies, Inc. ne fait aucune garantie, déclaration ou promesse quant à la qualité ou au rendement de ses produits autres que ceux qui sont spécifiquement énoncés dans la présente garantie.

RESTRICTIONS ADDITIONNELLES : Toute garantie implicite accordée en vertu de la loi d'un État, y compris les garanties ou conditions de qualité marchande ou d'adaptation à un usage particulier, est limitée aux modalités décrites ci-dessus. One World Technologies, Inc. n'est pas responsable des dommages directs, indirects ou fortuits. Les restrictions et exclusions ci-dessus peuvent ne pas s'appliquer à votre cas. La présente garantie vous confère des droits juridiques spécifiques, en plus des autres droits desquels vous bénéficiez et qui peuvent varier selon l'État où vous vous trouvez.

COORDONNÉES DU SERVICE À LA CLIENTÈLE :

Pour obtenir des pièces ou un service, ou communiquer avec un Centre de service autorisé, veuillez composer le 1-877-258-9740 ou consulter notre site à l'adresse www.TheStileLife.com.

Le numéro de modèle et le numéro de série de ce ventilateur de plafond se trouvent sur une étiquette située sur le dessus du boîtier du ventilateur. Veuillez noter le numéro de série dans l'espace ci-dessous. Lorsque vous appelez au sujet du service au titre de la garantie ou si vous commandez des pièces de rechange, toujours fournir les renseignements ci-dessous :

No. de modèle _____ No. de série _____

INSTRUCCIONES DE SEGURIDAD IMPORTANTES

ADVERTENCIA

Lea todas las advertencias de seguridad y todas las instrucciones. No seguir las advertencias e instrucciones podría resultar en electrocución, incendio y/o lesiones graves.

LEA Y GUARDE ESTAS INSTRUCCIONES

- Utilice esta unidad sólo en la forma prevista por el fabricante. Si tiene preguntas, contacte al fabricante.
 - Antes de comenzar la instalación, lea y comprenda todas las instrucciones y la información de seguridad. Revise exhaustivamente toda la información de ensamble y los dibujos, y asegúrese de comprender los requisitos de ensamble.
 - Antes de instalar, reparar, o limpiar la unidad, apague el interruptor en el panel de servicio y bloquee los medios de desconexión del servicio para evitar que la alimentación se conecte accidentalmente. Cuando los medios de desconexión no pueden ser bloqueados, amarre de forma segura una advertencia prominente, cómo una etiqueta, al panel de servicio.
 - El trabajo de instalación y las conexiones eléctricas deben ser realizadas por personal calificado de acuerdo con todos los códigos y normas aplicables, incluyendo la construcción clasificada como ignífuga.
 - El trabajo de instalación y las conexiones eléctricas deben ser realizadas acordemente con el Código eléctrico nacional, ANSI/NFPA 70 y todos los códigos locales. Si no está familiarizado o no puede cumplir con estos requisitos, haga instalar el ventilador de techo por un electricista calificado.
 - Cuando corte o perfore en una pared o cielo, no dañe el cableado eléctrico ni otros servicios ocultos.
 - No doble los soportes de las hojas cuando limpie el ventilador. No inserte objetos ajenos entre las hojas del ventilador mientras rotan.
-

ADVERTENCIA:

Para reducir el riesgo de lesiones personales, no doble los soportes de las hojas cuando instale los soportes, equilibre las hojas o limpie el ventilador. No no inserte objetos extraños entre las hojas giratorias del ventilador.

- Monte el ventilador de cielo a una caja de empalmes metálica marcada como “aceptable para soporte de ventilador de 15,8 kg (35 libras) o menos”. Utilice los tornillos suministrados con la caja de salida.

- Cuando utilice una caja de empalmes existente, asegúrese de que esté bien conectada a la estructura y soporte todo el peso del ventilador.
-




ADVERTENCIA:

Para reducir el riesgo de incendio, descarga eléctrica o lesiones personales, monte la unidad en la caja de empalmes que indica “Aceptable para el soporte de un ventilador de 15,8 kg (35 lb) o menos” y use los tornillos de montaje provistos con la caja de empalmes. La mayoría de las cajas de empalmes comúnmente utilizadas para el soporte de accesorios de iluminación no son aceptables para el soporte de ventiladores y es posible que deban reemplazarse. Consulte a un electricista calificado en caso de duda.

- Este ventilador no está diseñado para usarse con interruptores separados para controlar las funciones de iluminación y ventilación. Ambas funciones se operan con el control remoto.
- No conecte el ventilador a un atenuador de luz. Como todas las funciones de iluminación y ventilación se operan con el control remoto incluido con el ventilador, la conexión a un atenuador podría generar un funcionamiento errático y dañar la unidad.
- Para reducir el riesgo de lesiones personales, instale el ventilador de techo de manera que el protector de la hoja esté al menos a 7 pies sobre el piso.
- Asegúrese de que la energía esté apagada antes de comenzar la instalación. Después de realizar las conexiones de cables, los cables deberían estar separados con el conductor a tierra y el equipo conductor a tierra a un lado de la caja de empalmes y el conductor sin conexión a tierra al otro lado de la caja de empalmes. Los empalmes deben estar levantados y empujados cuidadosamente en la caja de empalmes.
- Siempre apague el ventilador y permita que se detenga completamente antes de invertir la dirección de las hojas.
- Cuando la instalación esté completa, cerciórese de que todas las conexiones sean seguras para evitar que el ventilador de techo se caiga.
- **Guarde estas instrucciones.** Guarde estas instrucciones. Consúltelas con frecuencia y empléelas para instruir a otras personas que puedan utilizar esta producto. Si presta a alguien esta producto, facilítele también las instrucciones.

SÍMBOLOS

Las siguientes palabras de señalización y sus significados tienen el objeto de explicar los niveles de riesgo relacionados con este producto.

SÍMBOLO	SEÑAL	SIGNIFICADO
	PELIGRO:	Indica una situación peligrosa, la cual, si no se evita, causará la muerte o lesiones serias.
	ADVERTENCIA:	Indica una situación peligrosa, la cual, si no se evita, podría causar la muerte o lesiones serias.
	PRECAUCIÓN:	Indica una situación peligrosa, la cual, si no se evita, podría causar lesiones menores o leves.
	AVISO:	(Sin el símbolo de alerta de seguridad) Indica la información que se considera importante, pero no relacionada con lesiones potenciales (por ej. en relación a daños a la propiedad).

Es posible que se empleen en esta herramienta algunos de los siguientes símbolos. Le suplicamos estudiarlos y aprender su significado. Una correcta interpretación de estos símbolos le permitirá utilizar mejor y de manera más segura la herramienta.

SÍMBOLO	NOMBRE	DENOMINACIÓN/EXPLICACIÓN
	Alerta de seguridad	Indica un peligro posible de lesiones personales.
	Lea el manual del operador	Para reducir el riesgo de lesiones, el usuario debe leer y comprender el manual del operador antes de usar este producto.
	Protección ocular	Siempre póngase protección ocular con protección lateral con la marca de cumplimiento de la norma ANSI Z87.1.
	Mantenga el producto alejado de niños pequeños	Deseche las pilas de botón usadas de inmediato.
V	Volts	Voltaje
A	Amperes	Corriente
Hz	Hertz	Frecuencia (ciclos por segundo)
W	Watts	Potencia
min	Minutos	Tiempo
~	Corriente alterna	Tipo de corriente
n	Velocidad clasificada	Velocidad máxima de rotación
.../min	Por minuto	Revoluciones, carreras, velocidad superficial, órbitas, etc., por minuto

CONTENIDO DEL PAQUETE

⚠️ ADVERTENCIA:

El fabricante no ensambla en el producto los artículos de esta sección, por lo que es necesario instalarlos. El uso de un producto que pueda haber sido armado de manera incorrecta podría provocar lesiones personales graves.

- Retire todas las piezas del paquete y verifique que todas las piezas que aparecen en esta sección de **Contenido del paquete** estén presentes.
- Inspeccione cuidadosamente la herramienta para asegurarse de que no haya sufrido ninguna rotura o daño durante el transporte.
- No deseche el material de empaquetado sin haber inspeccionado cuidadosamente la herramienta y haberla utilizado satisfactoriamente.
- Si hay alguna parte dañada o faltante, llame al 1-877-258-9740, donde le brindaremos asistencia.

⚠️ ADVERTENCIA:

Si hay piezas dañadas o faltantes, no utilice esta herramienta sin haber reemplazado todas las piezas. Usar este producto con partes dañadas o faltantes puede causar lesiones serias al operador.

PIEZAS Y ACCESORIOS DEL VENTILADOR DE TECHO

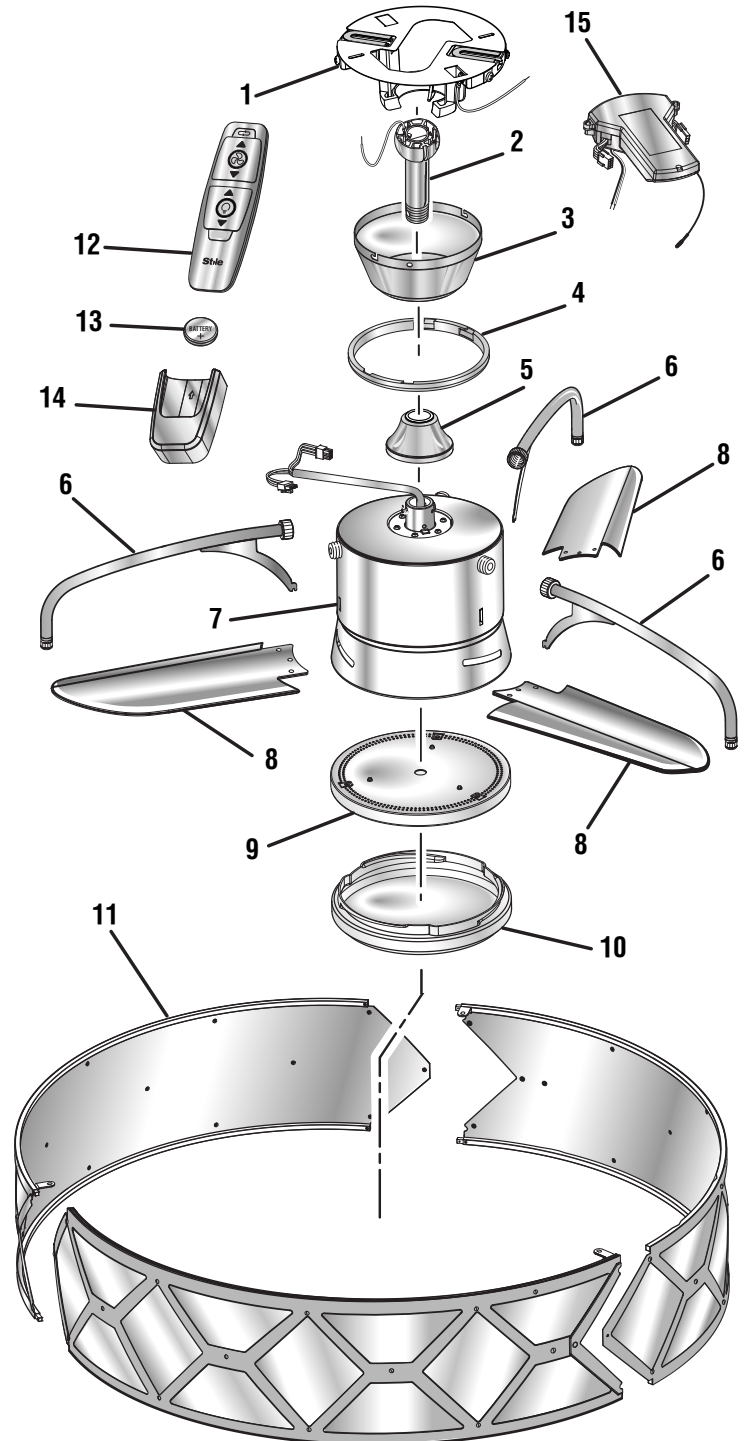
Núm.	Descripción	Cantidad
1	Ensamble del soporte de montaje*	1
2	Ensamble del pivote de rótula o varilla	1
3	Cubierta*	1
4	Aro decorativo atornillado en la cubierta*	1
5	Tapa de caja de motor	1
6	Brazos de soporte	3
7	Ensamble del motor	1
8	Hojas	3
9	Panel de luz LED	1
10	Lente de luz	1
11	Paneles de sombra ligera	3
12	Control remoto	1
13	Batería tipo botón CR2032	1
14	Montaje de pared para control	1
15	Receptor remoto	1

*Para efectos del embalaje, el ensamble del soporte de montaje, el techo y la aro decorativo atornillado en la cubierta se ensamblan juntos.

⚠️ ADVERTENCIA:

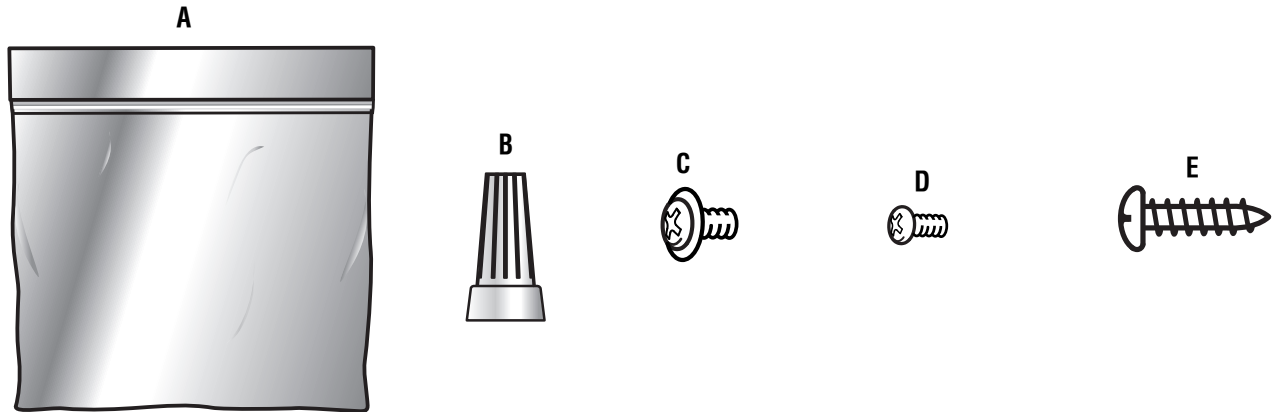
No intente modificar este producto ni crear aditamentos o accesorios que no estén recomendados para usar con este producto. Dichas alteraciones o modificaciones constituyen un uso indebido y podrían provocar una situación de riesgo que cause posibles lesiones personales graves.

NOTA: A los efectos de las ilustraciones del resto del manual, solo se muestra el ventilador de techo Lancaster. El ventilador Lexington luce diferente, pero se instala de la misma manera.



CONTENIDO DEL PAQUETE

ACCESORIOS DEL VENTILADOR DE TECHO



Núm.	Descripción de los accesorios de instalación incluidos	Cantidad
A	Bolso de accesorios de instalación de Canadá	1
B	Tuercas para cable	4
C	Tornillos de hojas (M5)	9
D	Tornillos de paneles de sombra ligera (M3)	6
E	Tornillos de montaje en pared del control remoto	2

HERRAMIENTAS NECESARIAS



Llave ajustable



Destornillador de cabeza Phillips

Escalera



Cortacables



Destornillador de cabeza plana

Cinta eléctrica



ESPECIFICACIONES DEL PRODUCTO

Velocidades (RPM)Alta - 270/min
Media - 180/min
Baja - 130/min
Flujo de aire Alta - 2 500 Pies cúbicos/min.
Media - 1 560 Pies cúbicos/min.
Baja - 1 050 Pies cúbicos/min.
Temperatura de color LED . . . De blanco cálido a luz del día
(2700 K – 5000 K)

Entrada 120 V, solo CA, 60 Hz, 0,58 Amps Máx.
Pila de control remoto Pila de botón CR2032
Peso netoaprox. 10 kg (24 lbs)
Distancia de separación del techo ... 31,4 cm (12-3/8 pulg.)
Opciones de montaje en el techoen ángulo, estándar

INSTALACIÓN

ANTES DE COMENZAR

⚠ ADVERTENCIA:

Para minimizar el riesgo de incendios, choque eléctrico o lesiones personales, apague la energía eléctrica de la habitación y el interruptor de la pared, quitando los fusibles o apagando los interruptores de circuito, según sea necesario antes de comenzar la instalación.

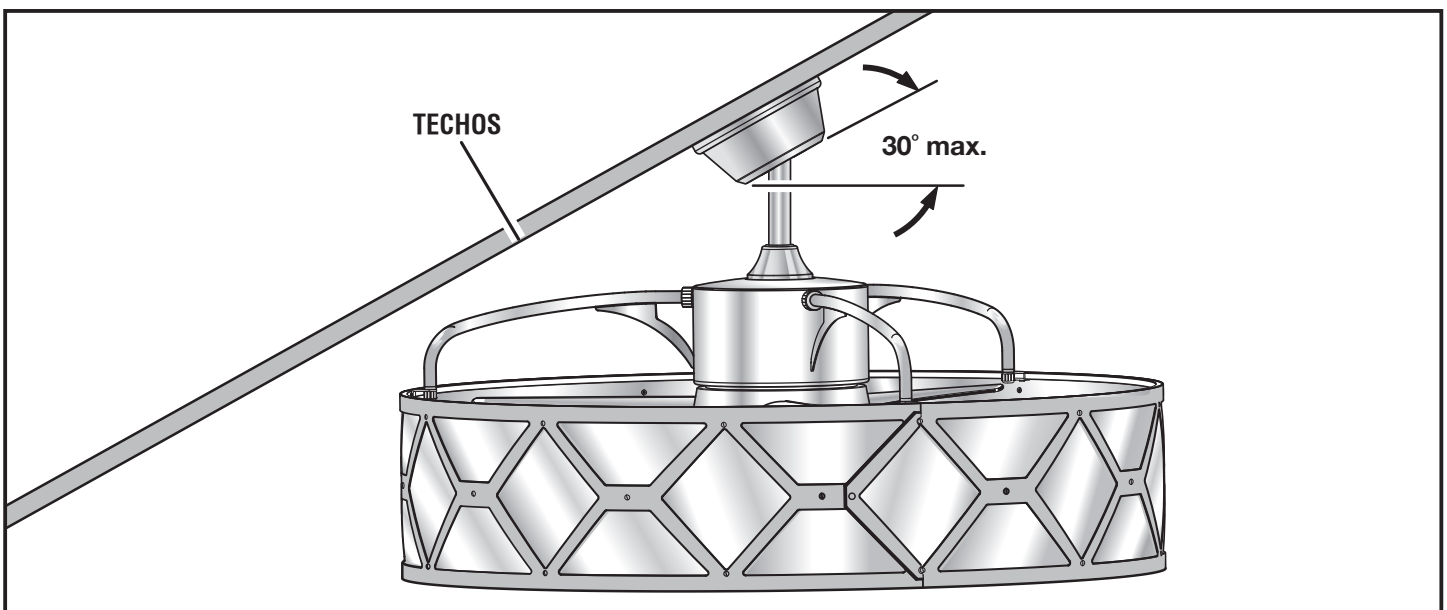
⚠ ADVERTENCIA:

Monte el ventilador solo en una caja de empalmes de metal marcada como aceptable para soportar un ventilador y use sólo los tornillos de montaje proporcionados con la caja de empalmes. Las cajas plásticas y las cajas de empalmes que se usa comúnmente para el soporte de iluminación pueden no ser aptas para soportar un ventilador y puede ser necesario que las reemplace. Si no está seguro si su caja es apta o no tiene certeza sobre el método adecuado para montar el ventilador de techo, comuníquese con electricista calificado.

- Si su sitio de instalación no tiene una caja de empalmes metálica listada por UL, debe instalar una antes de continuar. Asegúrese que la caja esté montado directamente en la estructura del edificio con los tornillos de vigueta de techo suministrados con la caja.
- Una vez instalado, debe haber una separación de al menos 2 m (7 pies) entre la parte inferior del ventilador y el suelo.
- Los techos de más de ocho pies de altura pueden beneficiarse de una varilla más larga para lograr los mejores resultados.

NOTA: Si usa una varilla de mayor extensión, también necesitará un cable de extensión. Consulte la sección Accesorios más adelante en este manual para determinar el tamaño correcto del cable de extensión que necesitará para la varilla y, luego, visite la tienda minorista donde compró el ventilador o llame a Atención al cliente para comprarla.

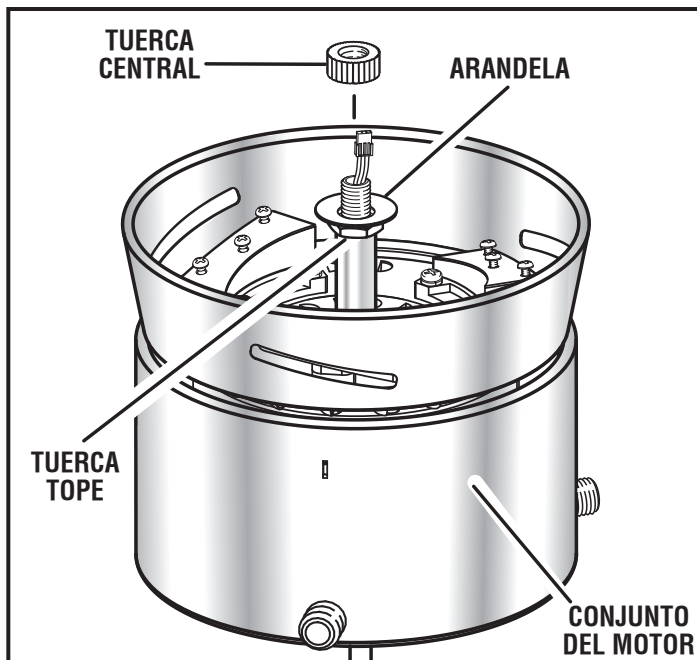
- Los techos en ángulo deben tener una pendiente de menos de 30° en relación a la cubierta horizontal.



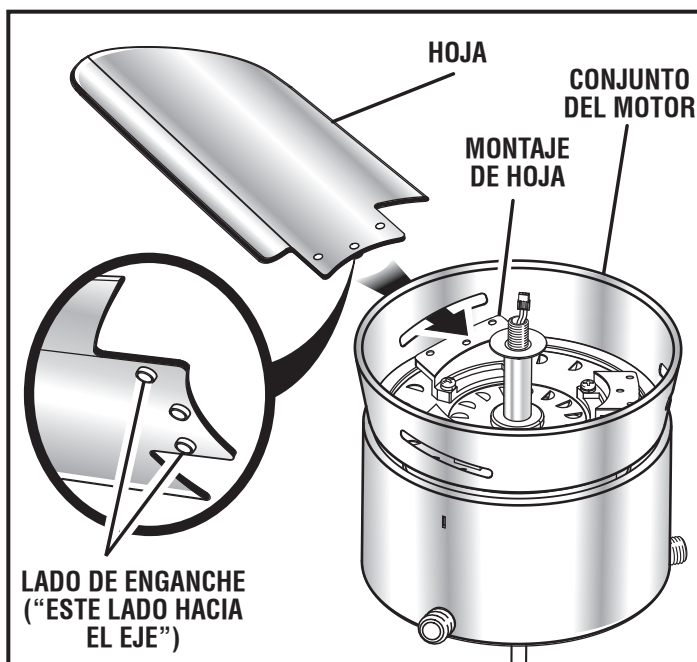
INSTALACIÓN

ENSAMBLAJE DEL VENTILADOR

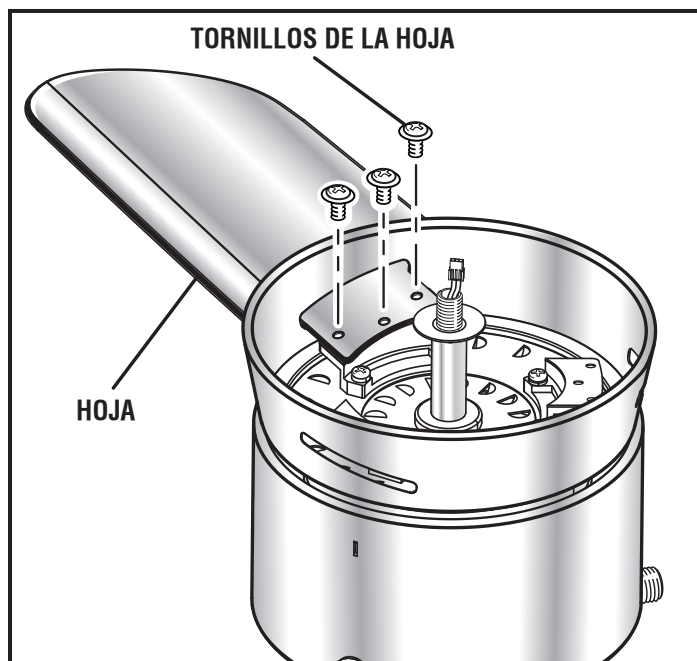
- Retire la tuerca central del conjunto del motor. Deje la arandela y la tuerca de tope en el eje, y asegúrese de que la tuerca de tope llegue hasta el fondo en el eje.



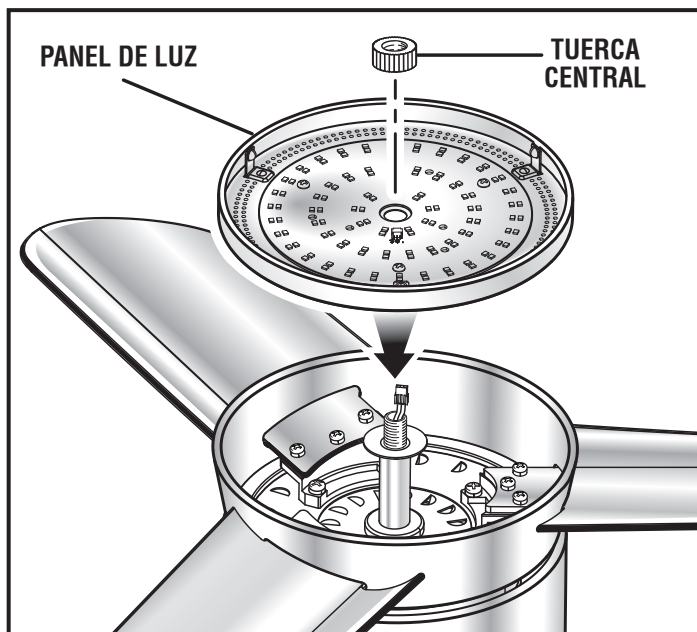
- Con el lado de enganche de la hoja donde dice “Este lado hacia el eje” mirando hacia el conjunto del motor, deslice la hoja en el exterior de la carcasa del motor para insertarla en el soporte de la hoja, de modo que los enganches encajen en los orificios de montaje de la hoja.



- Instale los tornillos de la hoja y ajústelos para asegurarla.



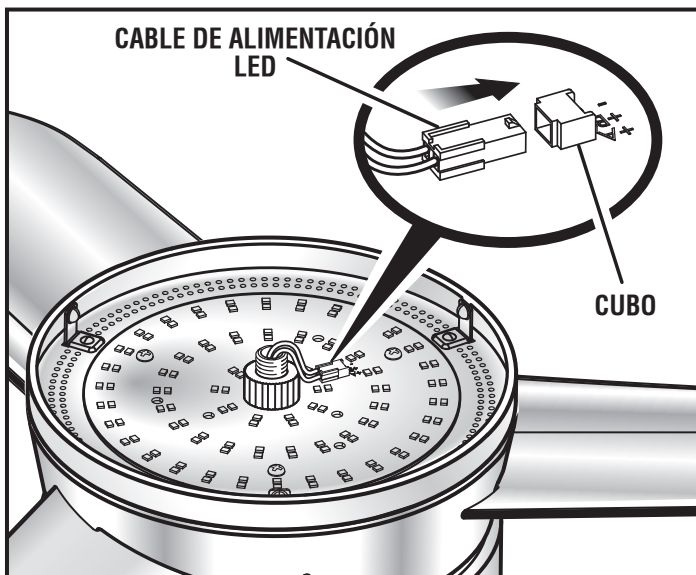
- Repita los pasos anteriores para instalar las dos hojas restantes.
- Instale el panel de luz LED como se muestra en la imagen y, luego, vuelva a colocar la tuerca central y ajústela con firmeza.



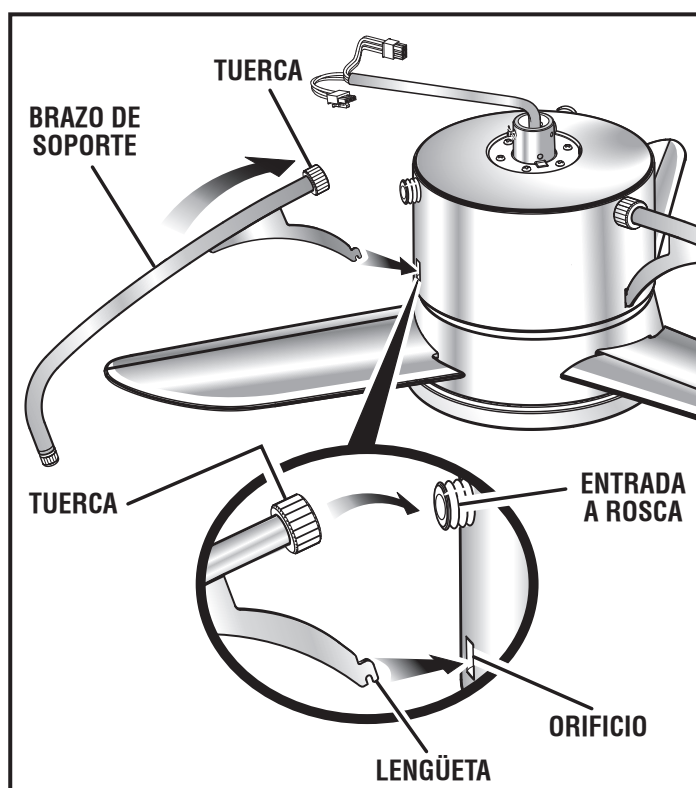
INSTALACIÓN

- Inserte el cable de alimentación LED en el tomacorriente del panel de luz. Asegúrese de que la conexión quede bien hecha.

NOTA: El conector y el tomacorriente están diseñados para garantizar una orientación correcta.

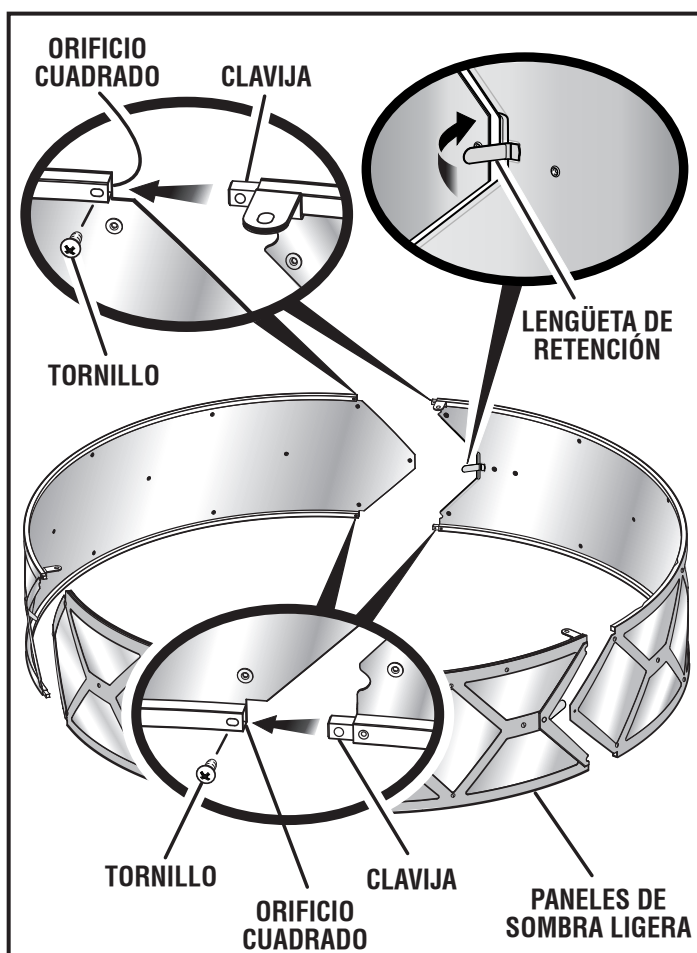


- Voltee todo el conjunto del ventilador para completar el resto del proceso de ensamblaje del otro lado.
- Instale un brazo de soporte colocando la lengüeta del brazo en el orificio de la carcasa del motor y, luego, incline el brazo hacia arriba hasta que la tuerca quede alineada con la entrada a rosca de la carcasa. Baje la tuerca en el brazo para cubrir la conexión y ajuste con firmeza. Repita el proceso para instalar los dos brazos restantes.



- Ensamble los paneles de sombra ligera deslizando la clavija de un panel de sombra en el orificio cuadrado del siguiente panel, asegurándose de que los orificios de los tornillos queden alineados. Inserte un tornillo en cada orificio y ajústelo con firmeza. Repita el proceso para colocar el tercer panel.

NOTA: Cuando los paneles estén completamente ensamblados, el borde de cada panel se superpondrá con el siguiente. Solo en el caso de los ventiladores Lancaster, hay una lengüeta de retención en el punto de diamante donde se superponen los paneles. Tire de la lengüeta de retención hacia atrás antes de ensamblar los dos paneles y, luego, vuelva a colocarla contra estos.



- Deja a un lado el conjunto de paneles de sombra ligera hasta que el ventilador esté listo para colgar.

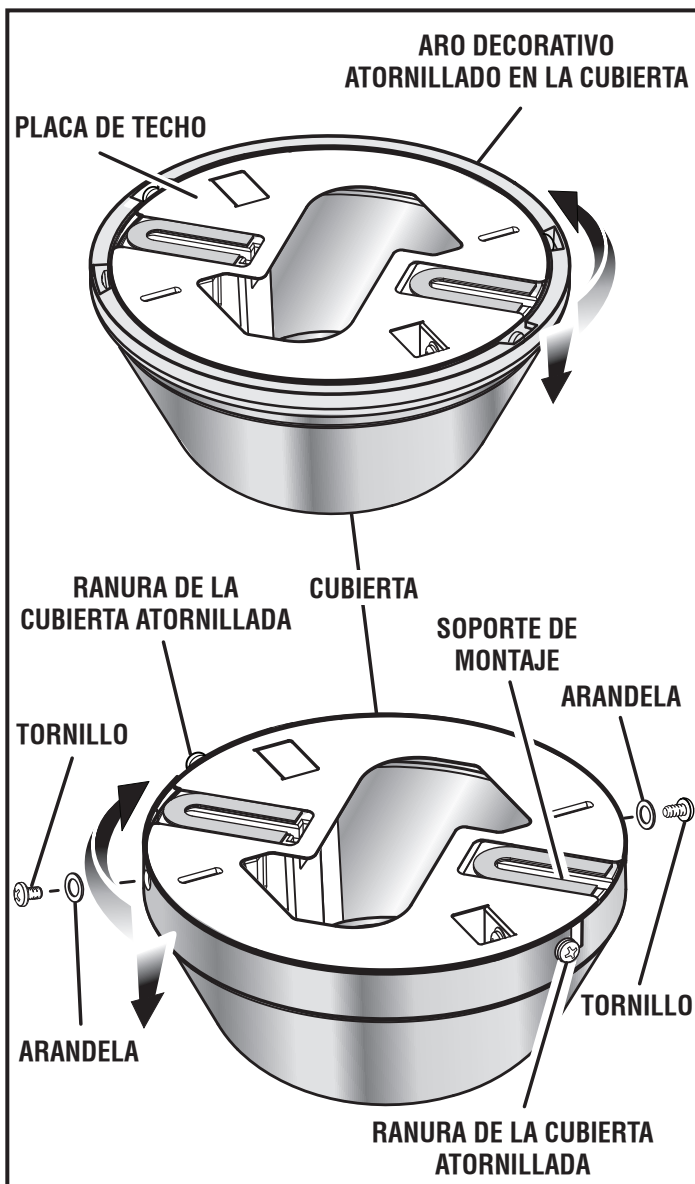
AVISO:

El soporte de montaje tiene una placa de techo en la superficie superior para ayudar a mantener la caja de empalmes al ras del panel de yeso durante la instalación del soporte. Para permitirle ver mejor algunos de los elementos para el armado en cuestión, la placa no se muestra en algunas ilustraciones. Esto es solo para que pueda entender mejor el proceso. No retire la placa de techo del soporte de montaje.

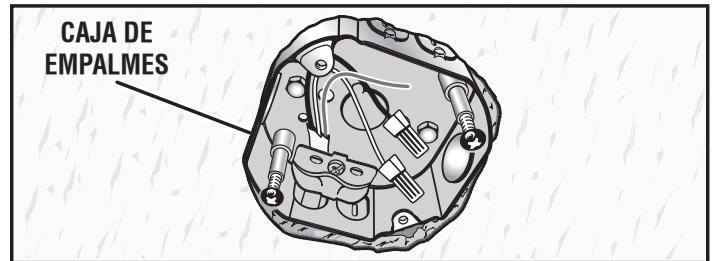
INSTALACIÓN

INSTALACIÓN DEL ENSAMBLE DEL SOPORTE DE MONTAJE DEL VENTILADOR DE TECHO

- El ensamblado del soporte de montaje, la cubierta y el aro decorativo atornillado en la cubierta se ensamblan juntos por motivos de envío. Si aún no lo hace, separe estas piezas ahora.
 - Gire el aro decorativo atornillado en la cubierta en sentido antihorario para liberarlo.
 - Suelte los dos tornillos en las ranuras de la cubierta.
 - Retire los dos tornillos y arandelas que fijan la cubierta al ensamblado del soporte de montaje, luego gire la cubierta en sentido antihorario para liberarla de los dos tornillos restantes.



- Retire los ventiladores de techo o luces existentes cuando intente instalar este ventilador de techo. Verifique que la caja de empalmes existentes te marcaba como apta para soportar un ventilador de hasta 15,8 kg (35 lbs) y que esté fijada de manera segura a las vigas del techo.



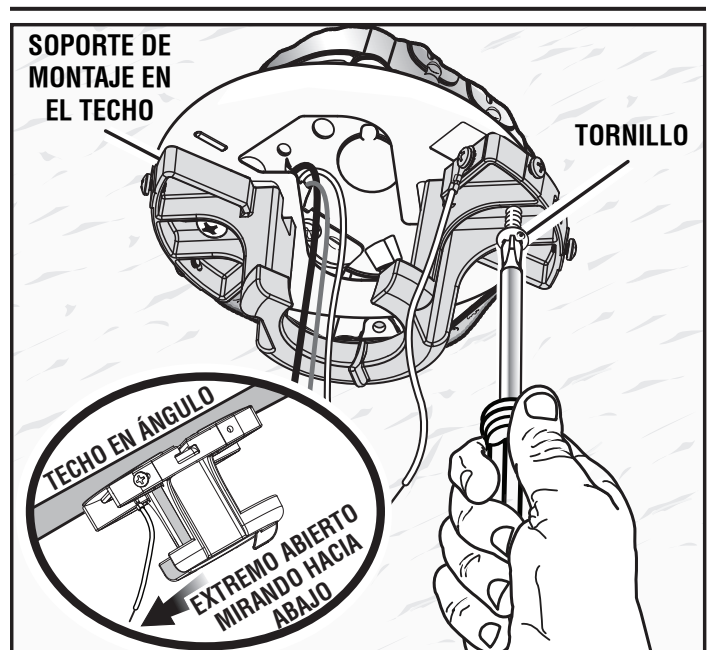
ALTO Para obtener las instrucciones de instalación de Canadá, consulte el suplemento de instalación de Canadá ubicado en el bolso de accesorios de instalación de Canadá e instale un perno de argolla o anclaje del ensamblado.

- Utilizando los tornillos suministrados con la caja, dije el ensamblado de soporte de montaje en techo a la caja eléctrica, pasando los cables de alimentación eléctrica de 120 V por el orificio en el centro del ensamblado del soporte de montaje.

NOTA: Si está instalando el ensamblado de soporte de montaje en una orientación en ángulo, asegúrese de que el extremo abierto de soporte esté instalado frente al punto más bajo del techo.

AVISO:

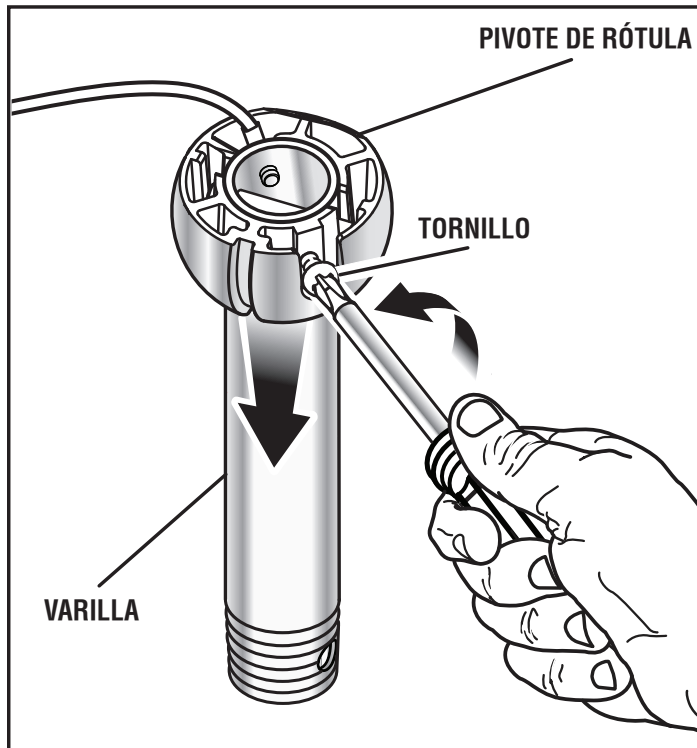
Tenga cuidado de no ajustar demasiado los tornillos, ya que esto podría hundir la caja de empalmes y hacer que no quede más al ras del panel de yeso. Si lo hace, evitará que la cubierta se alinee correctamente más adelante en el proceso de instalación.



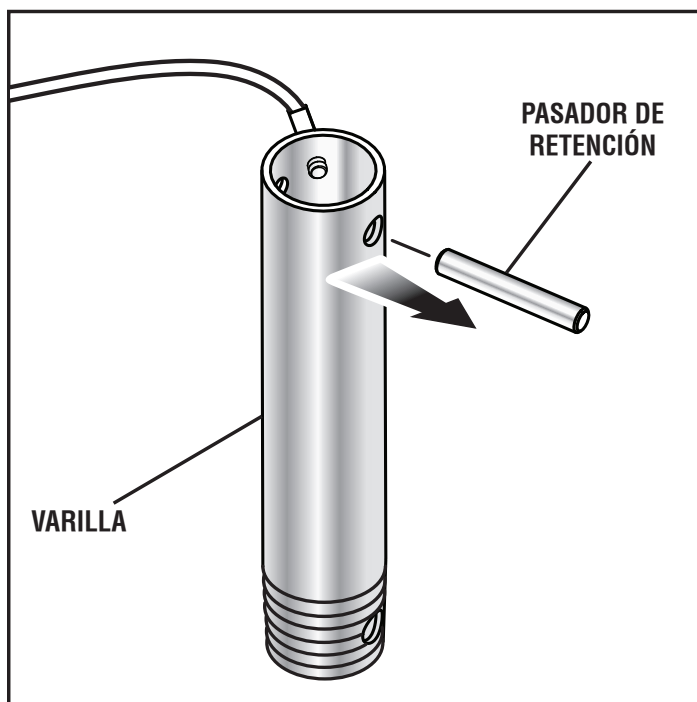
INSTALACIÓN

PREPARACIÓN DEL VENTILADOR DE TECHO PARA EL MONTAJE

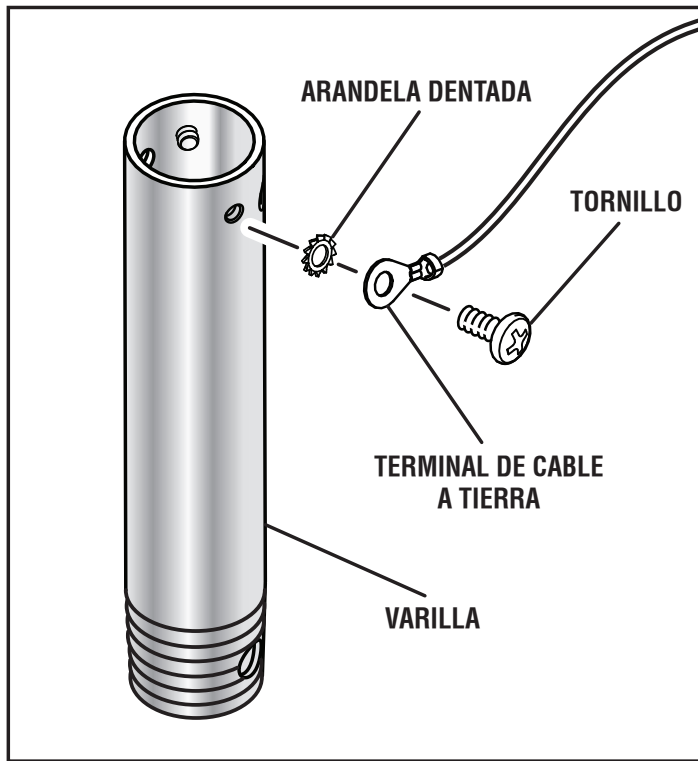
- Suelte los tornillos que fijan el pivote de rótula a la varilla. Deslice el pivote de rótula hacia abajo, sáquelo de la varilla y déjelo a un lado.



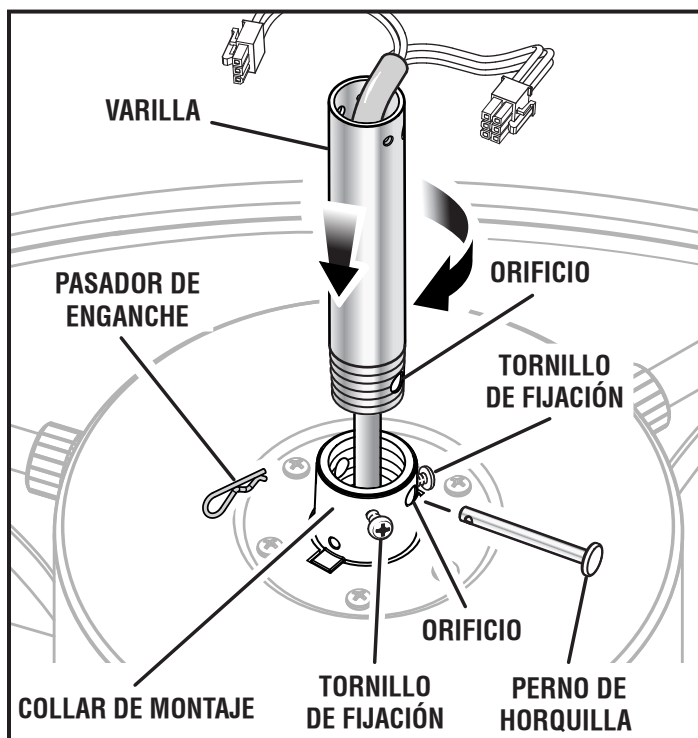
- Quite el pasador de retención de la varilla.



- Quite el tornillo y la arandela de estrella que fija el terminal del cable a tierra a la varilla. Quite el cable y déjelo a un lado.

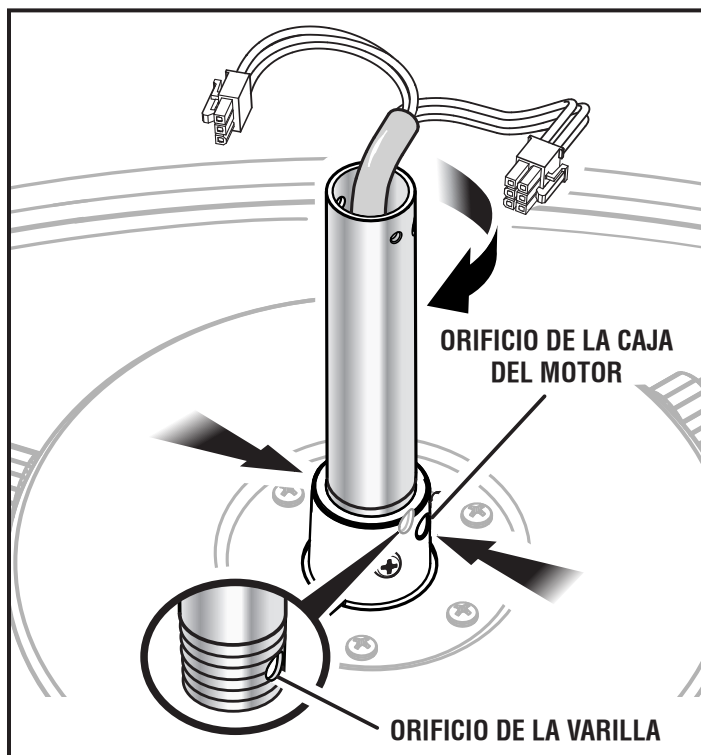


- Suelte (pero no retire) los tornillos de fijación que fijan la varilla al cuello de montaje del ensamble del ventilador y quite el pasador de enganche y el perno de horquilla del collar de montaje. Con cuidado, introduzca los cables eléctricos del ventilador por el extremo roscado de la varilla.

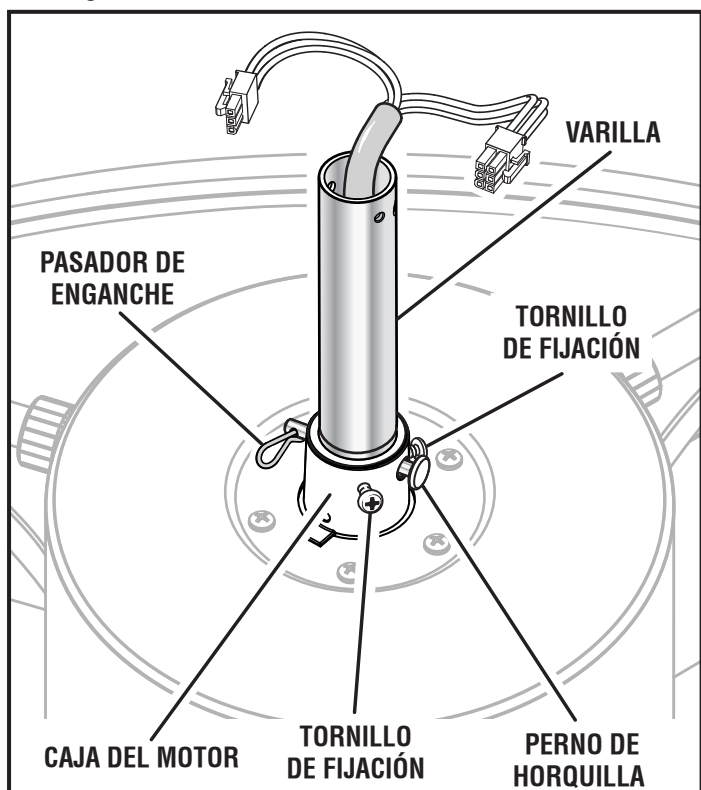


INSTALACIÓN

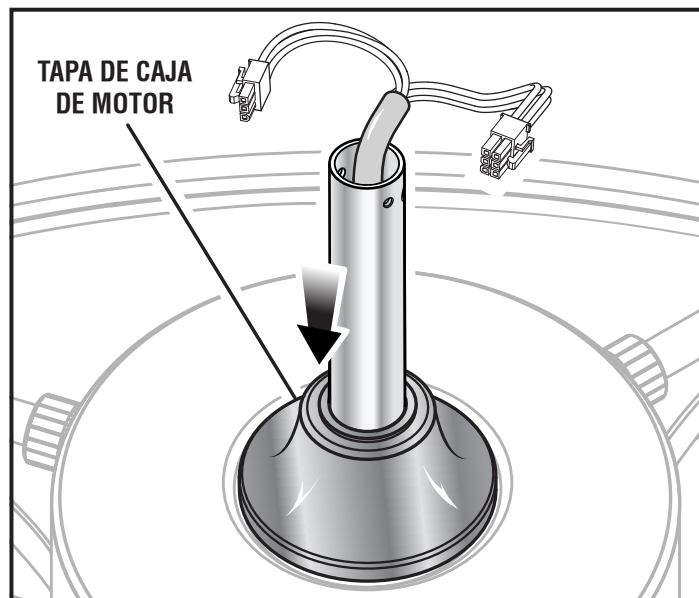
- Enrosque la varilla en el motor de la caja hasta el tope y retroceda hasta que el orificio de la varilla se alinee con el orificio de la caja del motor. Tenga cuidado de no torcer el cableado eléctrico al apretar.



- Instale el perno de horquilla por los orificios de la caja del motor y la varilla, y vuelva a insertar el pasador de enganche. Vuelva a apretar los tornillos de fijación para asegurarlos.

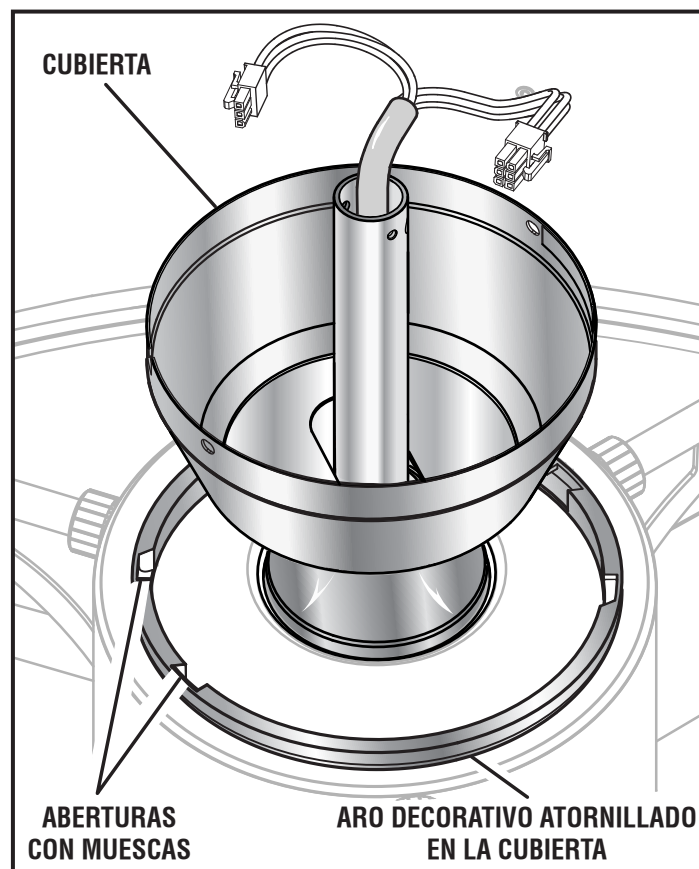


- Introduzca con cuidado el cableado eléctrico del ventilador por la tapa de la caja del motor e instale la tapa como se muestra.



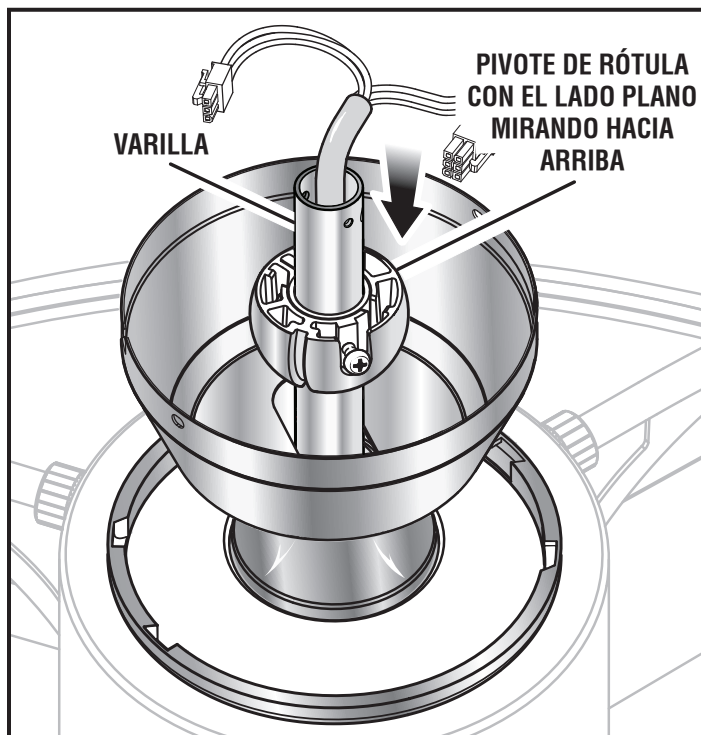
- Con cuidado, introduzca el cableado eléctrico del ventilador por el aro decorativo atornillado a la cubierta y la cubierta, y luego instale el aro decorativo y la cubierta en la varilla de la manera que se muestra.

NOTA: Asegúrese de que las aberturas con muescas en el borde del aro decorativo atornillado a la cubierta estén mirando hacia arriba.

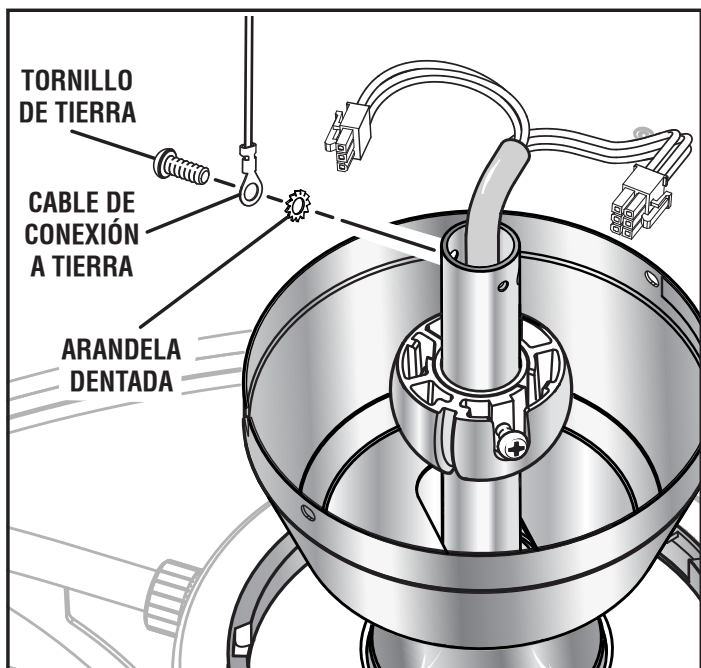


INSTALACIÓN

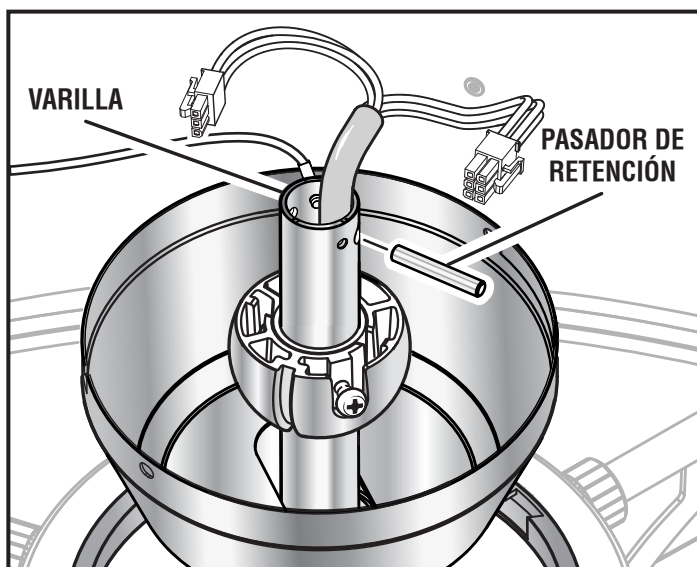
- Con cuidado, introduzca el cableado eléctrico del ventilador por el pivote de rótula, luego vuelva a instalar el pivote de rótula en la varilla con el lado plano mirando hacia el techo.



- Vuelva a instalar el cable a tierra con el cable mirando hacia arriba para garantizar una conexión a tierra adecuada y asegúrese de que la arandela de estrella esté reinstalada en la ubicación que se muestra a continuación.



- Vuelva a instalar el pasador de retención en la varilla.

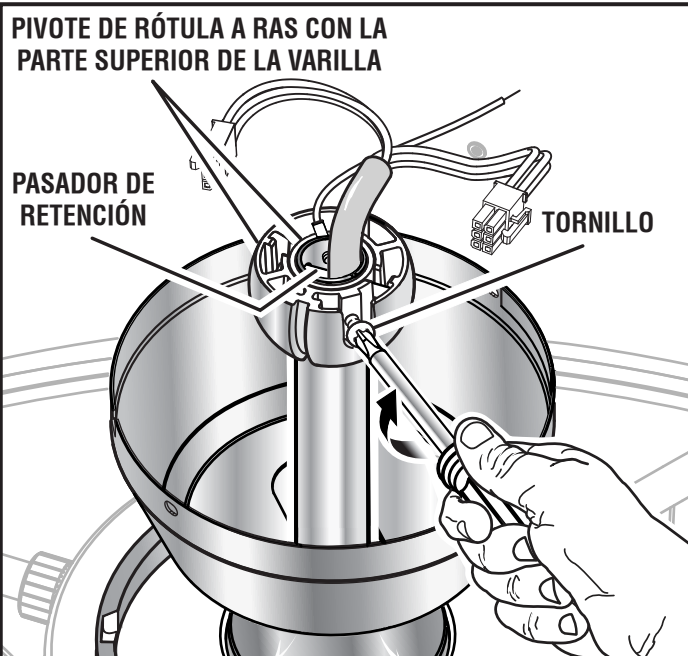


ALTO

Para obtener las instrucciones de instalación de Canadá, consulte el suplemento de instalación de Canadá e instale el cable de soporte en el pasador de retención.

- Levante el pivote de rótula hacia la parte superior de la varilla hasta capturar el pasador de retención. Apriete los tornillos para fijar.

NOTA: Cuando el pivote de rótula esté orientado correctamente, también cubrirá el tornillo de tierra y quedará a ras con la parte superior de la varilla.



ALTO

Para obtener las instrucciones de instalación de Canadá, consulte el suplemento de instalación de Canadá y pruebe la conexión del cable soporte ahora.

INSTALACIÓN

COMO COLGAR EL VENTILADOR DE TECHO

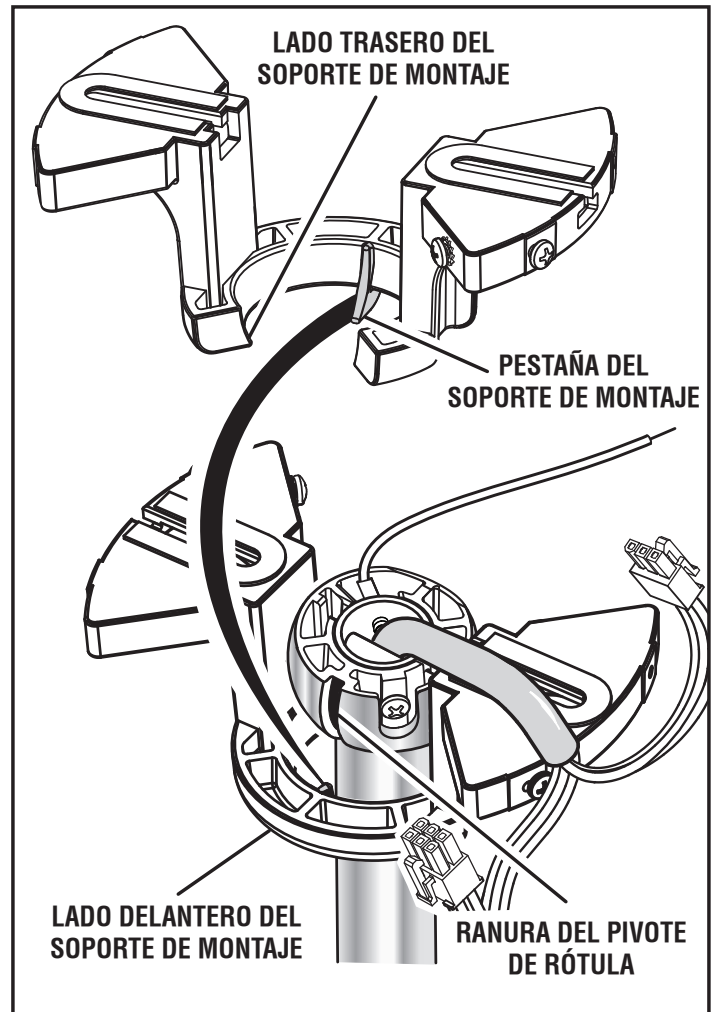
⚠ ADVERTENCIA:

Una vez que comience el proceso de colgar el ventilador de techo, no descuide el ventilador hasta que finalice el proceso de instalación. La caída del ventilador podría causar lesiones personales graves o la muerte.

- Con cuidado, levante el ventilador ensamblado hasta el ensamble del soporte de montaje y ponga el pivote de rótula en el soporte de montaje. Gire el ventilador según sea necesario para que la lengüeta del conector del soporte de montaje descansa en la ranura del pivote de rótula.

⚠ ADVERTENCIA:

No conectar la pestaña del ventilador en la ranura del soporte de montaje podría permitir que el ventilador se tambalee o caiga. La caída del ventilador podría causar lesiones personales graves o la muerte.



INSTALACIÓN

CÓMO REALIZAR LAS CONEXIONES ELÉCTRICAS

⚠ ADVERTENCIA:

Verifique que se haya desconectado la energía eléctrica en la habitación y el interruptor de la pared antes de realizar las conexiones eléctricas. No hacer esto podría causar un incendio, choque eléctrico, lesiones personales graves o la muerte.

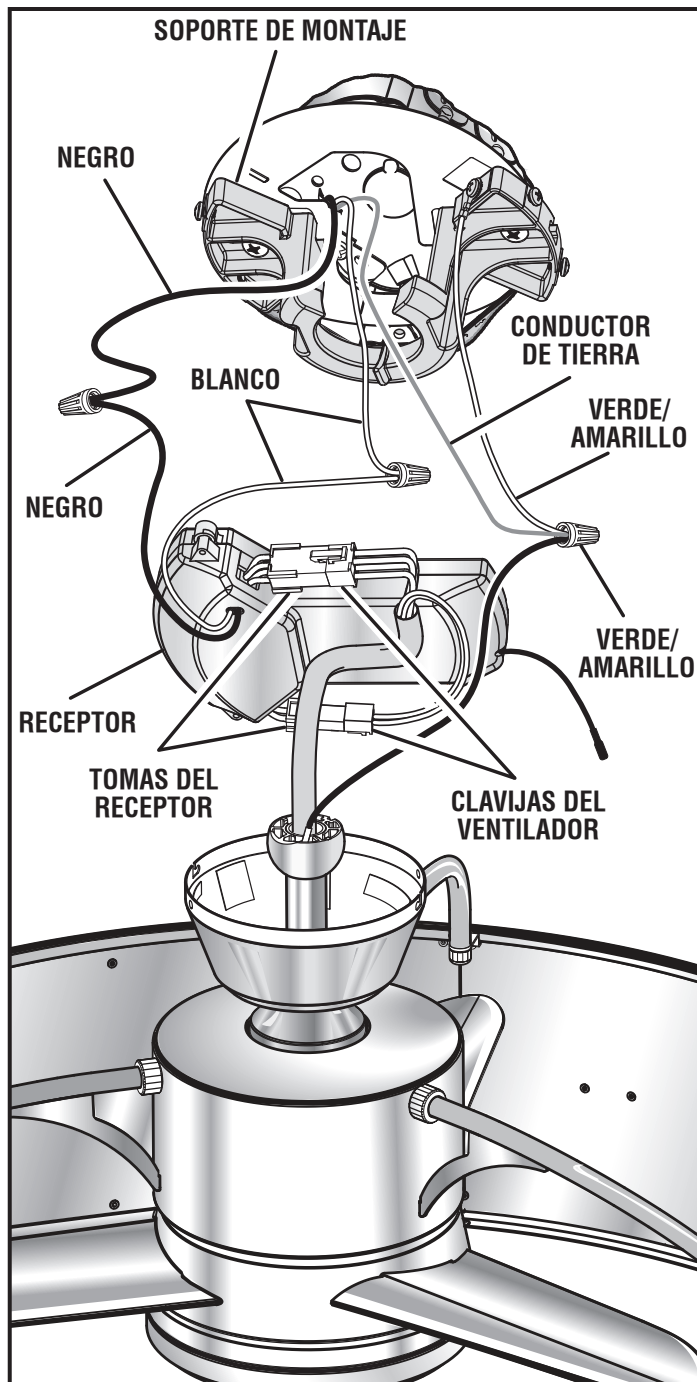
AVISO:

Los cable eléctricos del ventilador de techo vienen con una longitud que se ajusta solo a la varilla incluida. Si desea usar una varilla de mayor extensión (no incluida), también deberá comprar un cable de extensión. Consulte la sección *Accesorios* más adelante en este manual para determinar el tamaño correcto del cable de extensión que necesitará para la varilla y, luego, visite la tienda minorista donde compró el ventilador o llame a Atención al cliente para comprarla.

- Si la caja de empalmes tiene un cable a tierra (verde o cobre descubierto), conéctelo al cable a tierra del pivote del ventilador de techo. Si no hay un cable a tierra en su caja de empalmes, conecte el cable a tierra en el pivote derrotó la del cable a tierra del ensamble del soporte de montaje.
- Verifique que los cables blanco y negro de la caja de componentes eléctricos sean lo suficientemente largos para conectarse al receptor, pero no tanto como para que no pueda instalar el receptor en la abertura del soporte de montaje.
- Conecte el cable blanco (neutro) del suministro al cable blanco del receptor marcado **AC in N**.
- Conecte el cable negro (caliente) del suministro al cable negro del receptor marcado **AC in L**.

NOTA: Si su caja eléctrica tiene cables calientes negro y rojo, sólo se necesitará uno de ellos. Seleccione el cable suministro que coincida con el interruptor de pared si desea usarlo para el ventilador de techo. Use una punta de remate y cinta eléctrica para sellar el otro cable y vuelva introducirlo en la caja donde no moleste.

- Instale una tuerca del hambre plástico sobre cada conexión para asegurarla. Refuerce con cinta eléctrica según sea necesario para asegurarse de que no queden cables descubiertos en las tuercas para cables (a excepción de un cable a tierra desnudo, si está presente).
- Separe los cables de manera que los cables verde/amarillo y blanco vayan a un lado y los cables negro al otro, luego con lo que todas las conexiones de cables en la caja.



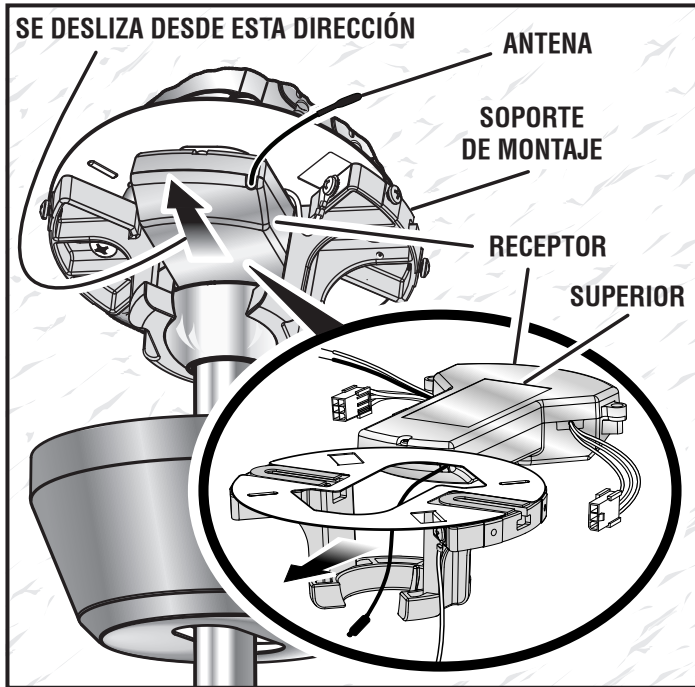
NOTA: Oriente los cables de manera que las tuercas para cables queden mirando hacia arriba y no se toquen entre sí. Esto ayudará a minimizar el ruido potencial cuando se haya completado la instalación.



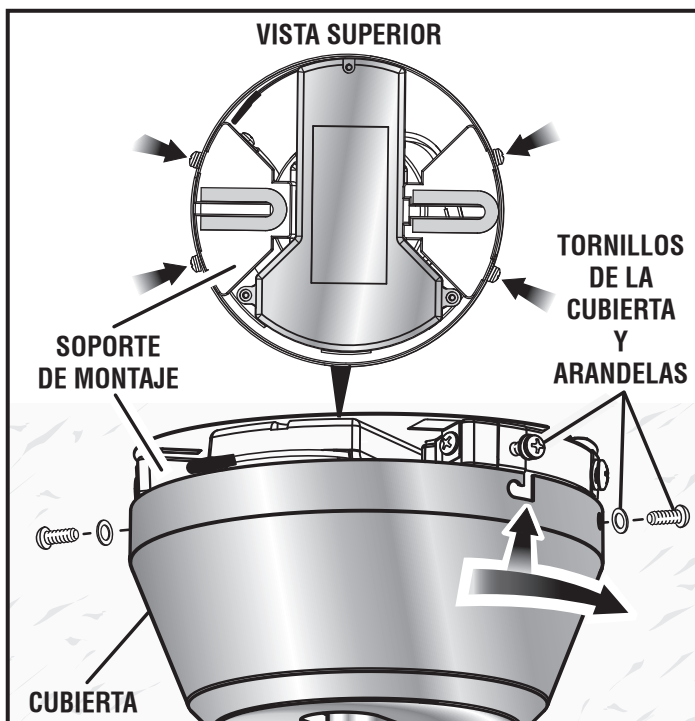
Para obtener las instrucciones de instalación de Canadá, consulte el suplemento de instalación de Canadá y conecte el cable de soporte en el cárcamo o anclaje ahora.

INSTALACIÓN

- Ubique el receptor en la parte superior del soporte de montaje con helado plano mirando hacia el techo. Inserte la antena del receptor y todo el cableado en la abertura del soporte de montaje y, luego, en la caja de componentes eléctricos, asegurándose de no aplastar los cables.

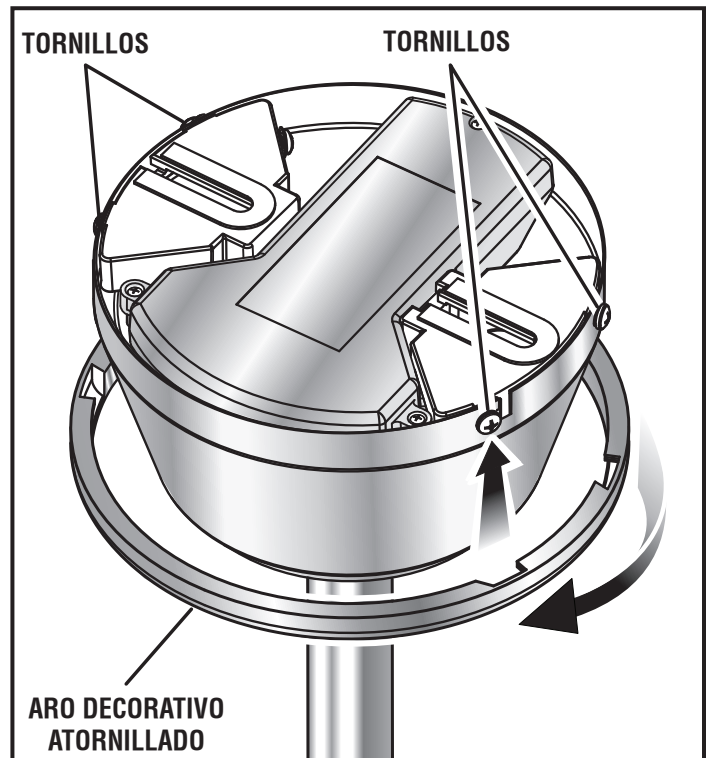


- Conecte las clavijas del ventilador de los extremos de los cables eléctricos en las tomas correspondientes del receptor.
- Deslice la cubierta en su lugar y gire la en sentido horario para fijar el ensamblaje de soporte de montaje. Vuelva a instalar los arandelas y dos tornillos (M4 x 6 mm) que se retiraron previamente y apriételos.

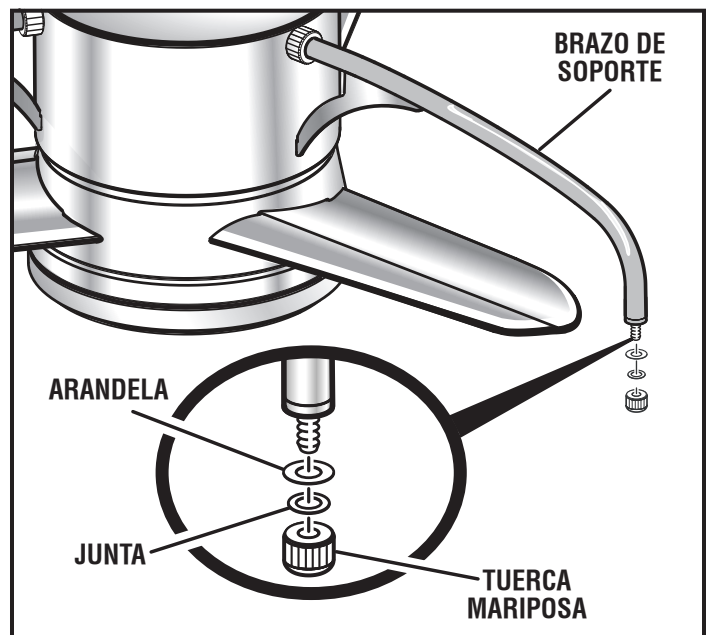


NOTA: Si la cubierta no se alinea con los orificios de los tornillos, es posible que haya ajustado demasiado los tornillos del soporte de montaje en el techo al asegurar el soporte a la caja de empalmes. Quite el ventilador de techo y afloje los tornillos lo suficiente como para permitir que la caja de empalmes quede al ras con el panel de yeso, pero no tanto como para que el soporte del ventilador de techo no quede bien sujeto a la caja de empalmes.

- Levante el aro decorativo atornillado sobre los tornillos y gire el sentido antihorario para fijarlo su lugar.

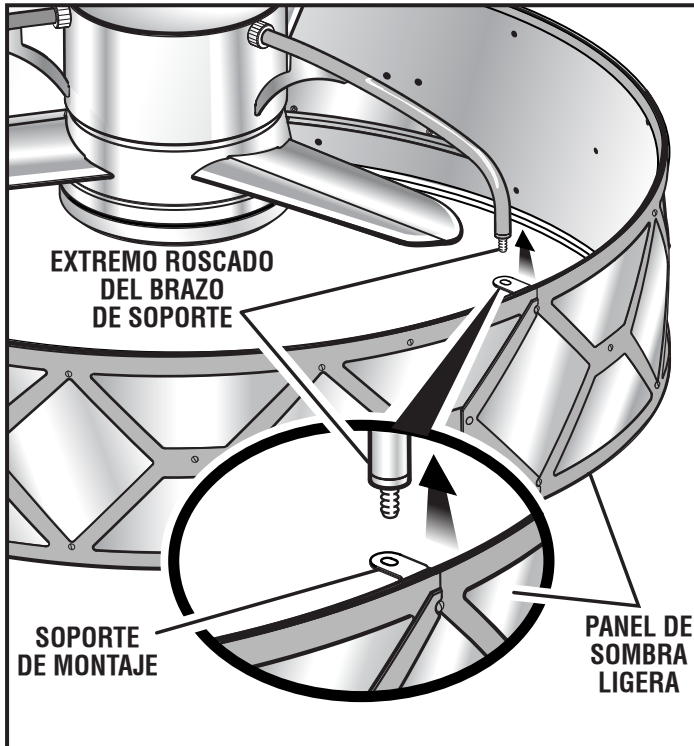


- Quite las tuercas mariposa, juntas y arandelas que se encuentran en el extremo de los brazos de soporte.

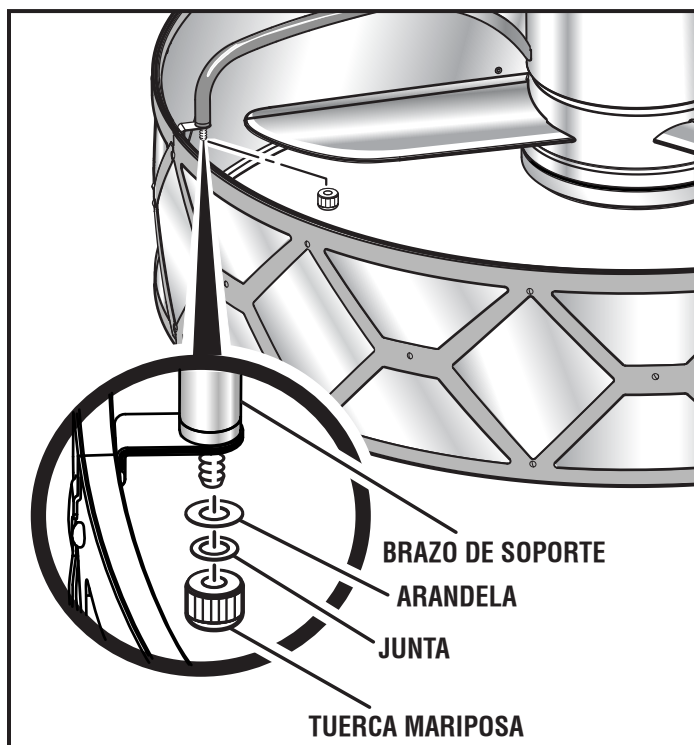


INSTALACIÓN

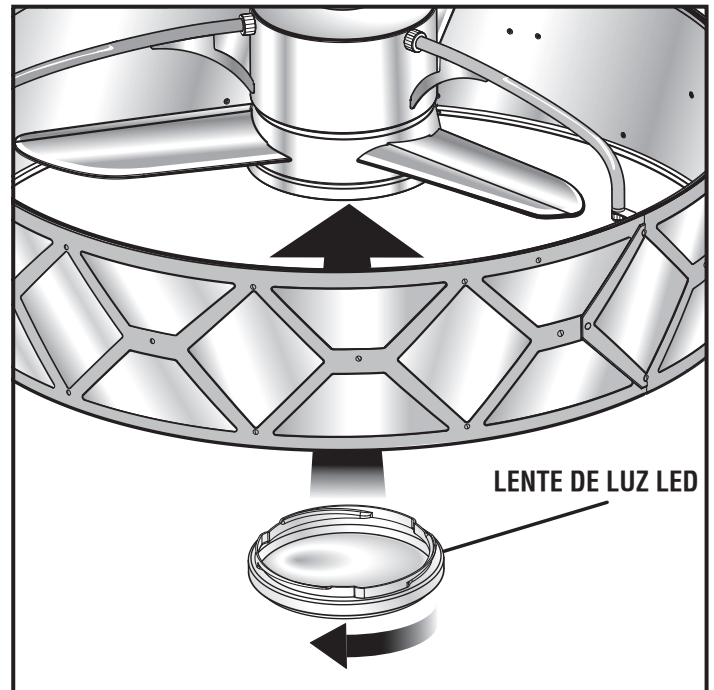
- Coloque el soporte de montaje de los paneles de sombra ensamblados hacia arriba y, luego, alinee los soportes de montaje con los extremos roscados de los brazos de soporte, de modo que los extremos roscados pasen por los orificios de los soportes de montaje.



- Vuelva a colocar las arandelas, juntas y tuercas mariposa y ajústelas con firmeza.



- Instale la lente de luz y gírela hacia la izquierda para asegurarla.



- Restaure la energía de la habitación y el interruptor de pared, pero no encienda el interruptor de pared aún.

INSTALACIÓN

USO DEL CONTROL REMOTO

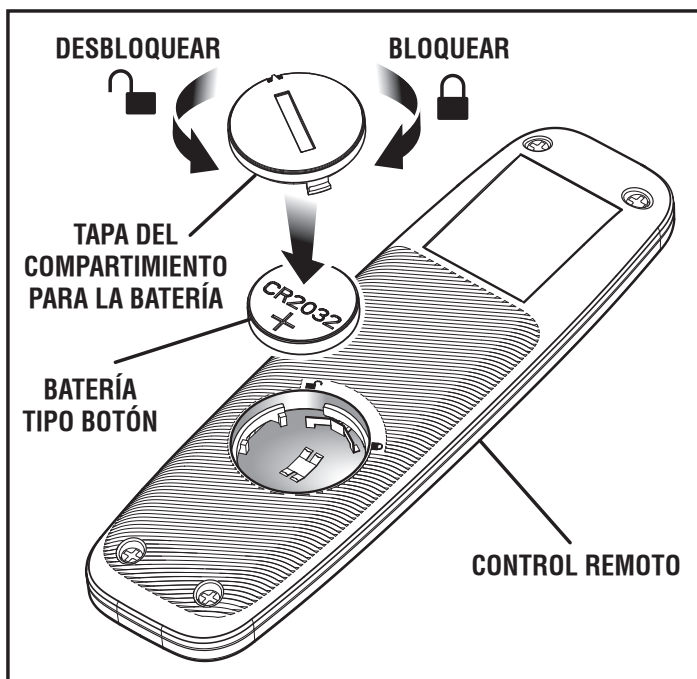
⚠ ADVERTENCIA:

Peligro de quemaduras químicas. Mantenga las pilas alejadas de los niños. Este producto contiene una pila de botón de litio. Si se traga una pila de botón de litio nueva o usada o esta ingresa en el cuerpo, podría ocasionar quemaduras internas severas y llevar a la muerte en tan solo 2 horas. Cierre y asegure completamente el compartimento de la pila siempre. Si el compartimento de la pila no se cierra de manera segura, deje de usar el producto, retire la pila y manténgala alejada de los niños. Si cree que existe la posibilidad de que se haya tragado una pila o esta haya ingresado en alguna parte del cuerpo, busque asistencia médica de inmediato.

Conserve la pila de botón en el paquete original hasta usarla en el control remoto. Deseche las pilas de botón usadas de inmediato.

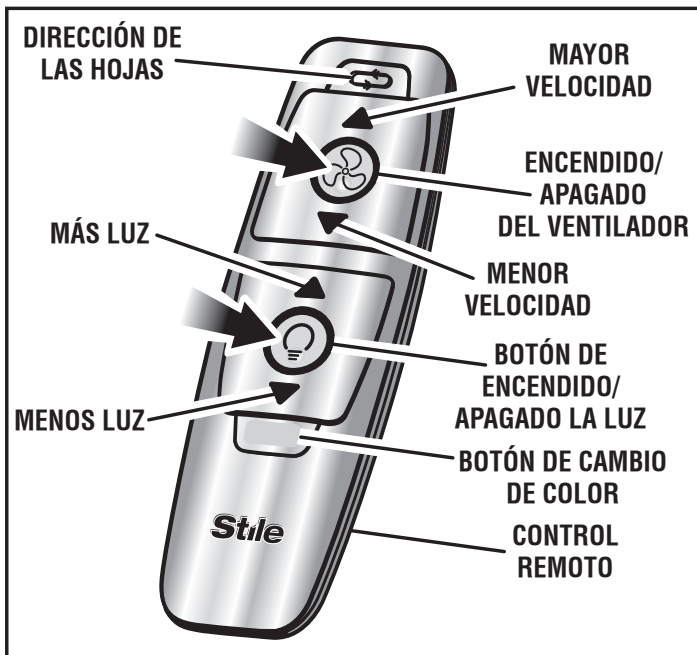
NOTA: Si aún no lo hace, restaure la energía de la habitación y el interruptor de pared, pero no encienda el interruptor de pared. El control remoto no tendrá efecto cuando el ventilador si el interruptor está apagado.

- Instale la batería tipo botón CR2032 suministrada en el control remoto como se muestra.



- Encienda el interruptor de pared para alimentar el ventilador. Durante aproximadamente 1 minuto después de encender el interruptor, el ventilador buscará el control remoto. Para sincronizar el control remoto con el ventilador, mantenga presionados los botones de encendido/apagado del ventilador (🌀) y la luz (💡) del control de forma simultánea durante aproximadamente 5 segundos.

NOTA: Puede sincronizar 3 controles remotos como máximo con el ventilador. Simplemente repita el paso anterior para sincronizar cada uno de ellos.



- Para encender y apagar la luz, presione y suelte el botón de encendido/apagado la luz (💡). Use las flechas hacia arriba (▲) y hacia abajo (▼) para controlar el brillo de la luz.
NOTA: El brillo de la luz del ventilador solo se puede controlar con el control remoto. Un interruptor con regulador de intensidad montado en la pared no cambiará el brillo de la luz.
- Para cambiar el color de la luz, presione el botón de cambio de color. Pasará por el espectro de luz: de blanco cálido a luz del día. Suelte el botón de cambio de color cuando la luz tenga la apariencia deseada. Si llega al final del espectro, suelte el botón y presiónelo nuevamente para volver al lado opuesto del espectro.
- Para encender o apagar el ventilador, presione y suelte el botón de encendido/apagado del ventilador (🌀). Use las flechas hacia arriba (▲) y hacia abajo (▼) para cambiar de velocidad entre Baja, Media o Alta.
- Para cambiar la dirección de rotación de las hojas del ventilador de techo, deje que se detengan por completo y, luego, presione el botón de dirección de las hojas (↻).

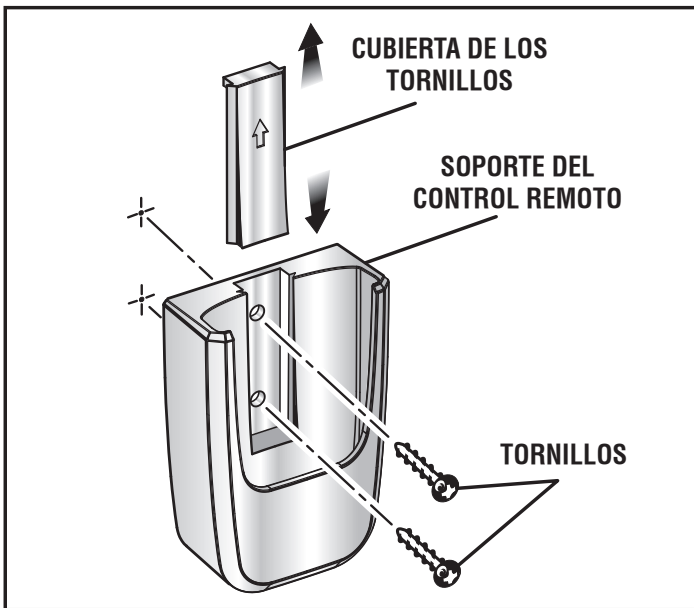
FUNCIONAMIENTO

Para montar el soporte de control remoto:

- Quite el tornillo de cierre del soporte del control remoto.
- Instale el soporte del control remoto en la ubicación deseada utilizando los dos tornillos de montaje suministrados.
- Reemplace la cubierta del tornillo para cubrir la cabeza de los tornillos.

ADVERTENCIA:

Deseche siempre las pilas usadas de forma apropiada y manténgalas alejadas de los niños. Incluso las pilas usadas podrían causar lesiones.



MODELO N. °: CFARC03

FCC ID: VMZCFARC03

Este dispositivo cumple con el apartado 15 de las normas de la FCC. Su funcionamiento está sujeto a las dos condiciones siguientes: (1) este dispositivo no debe causar interferencias dañinas, y (2) este dispositivo debe aceptar todas las interferencias recibidas, incluso las interferencias que pueden causar un funcionamiento no deseado.

NOTA: EL CESIONARIO NO ES RESPONSABLE DE NINGÚN CAMBIO O MODIFICACIÓN NO APROBADOS EXPRESAMENTE POR LA PARTE RESPONSABLE DEL CUMPLIMIENTO. DICHAS MODIFICACIONES PODRÍAN ANULAR LA AUTORIDAD DEL USUARIO PARA OPERAR EL EQUIPO.

Este dispositivo cumple con los estándares RSS exentos de licencia de la Industria Canadiense. El funcionamiento está sujeto a las siguientes dos condiciones: (1) Este dispositivo no debe causar interferencias, y, (2) Este dispositivo debe admitir toda interferencia recibida, incluso aquella que pudiera dificultar el funcionamiento esperado.

FUNCIONAMIENTO

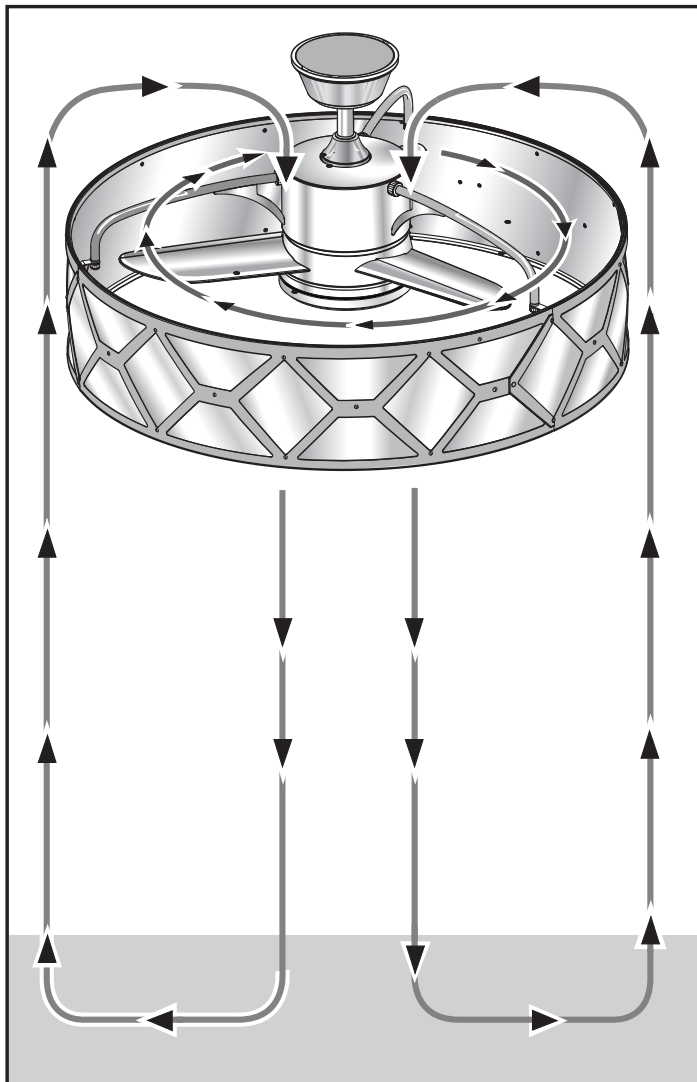
AJUSTE DE LA DIRECCIÓN DEL FLUJO DE AIRE

Seleccionar la dirección del flujo de aire correcta del ventilador de techo mejorará el rendimiento del ventilador y hará que su uso sea más agradable. Para cambiar la dirección del flujo de aire, use el botón de dirección de las hojas (↻) en la parte superior del control remoto del ventilador de techo.

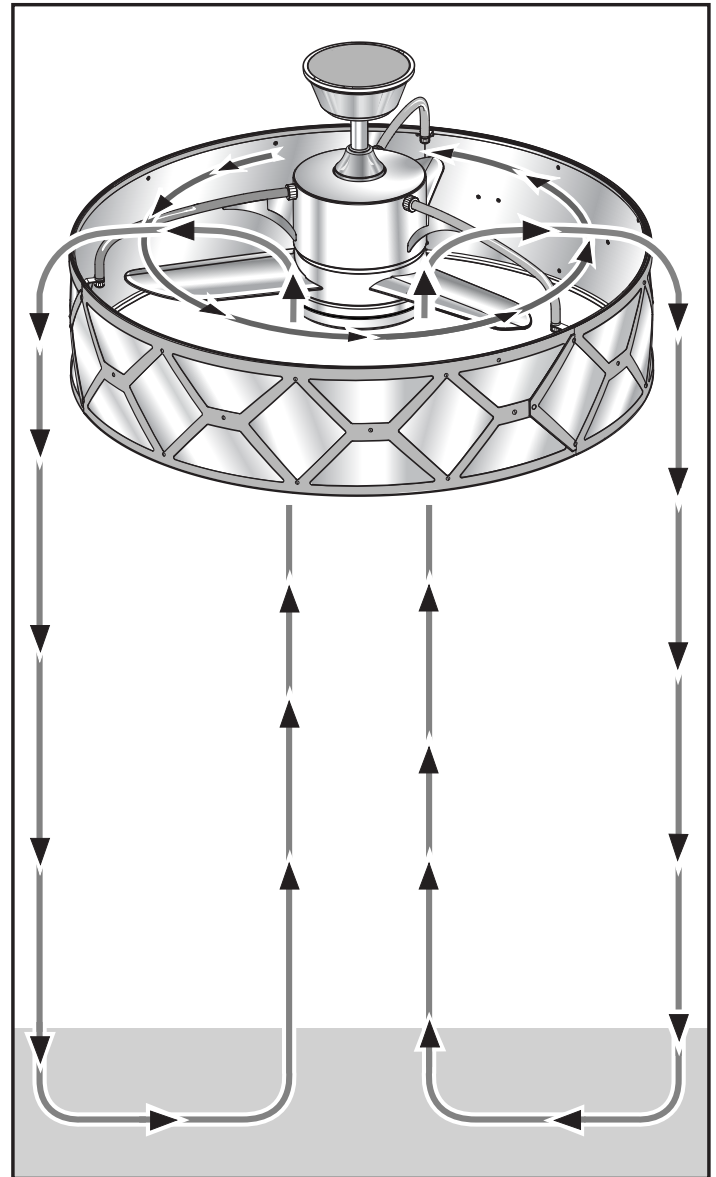
AVISO:

Siempre permita que el ventilador se detenga por completo antes de cambiar su dirección.

- Seleccione una dirección de la hoja en el sentido para obtener un flujo de aire hacia abajo. En climas más cálidos, esta dirección ofrecerá una brisa constante, lo que crea un efecto de viento frío.



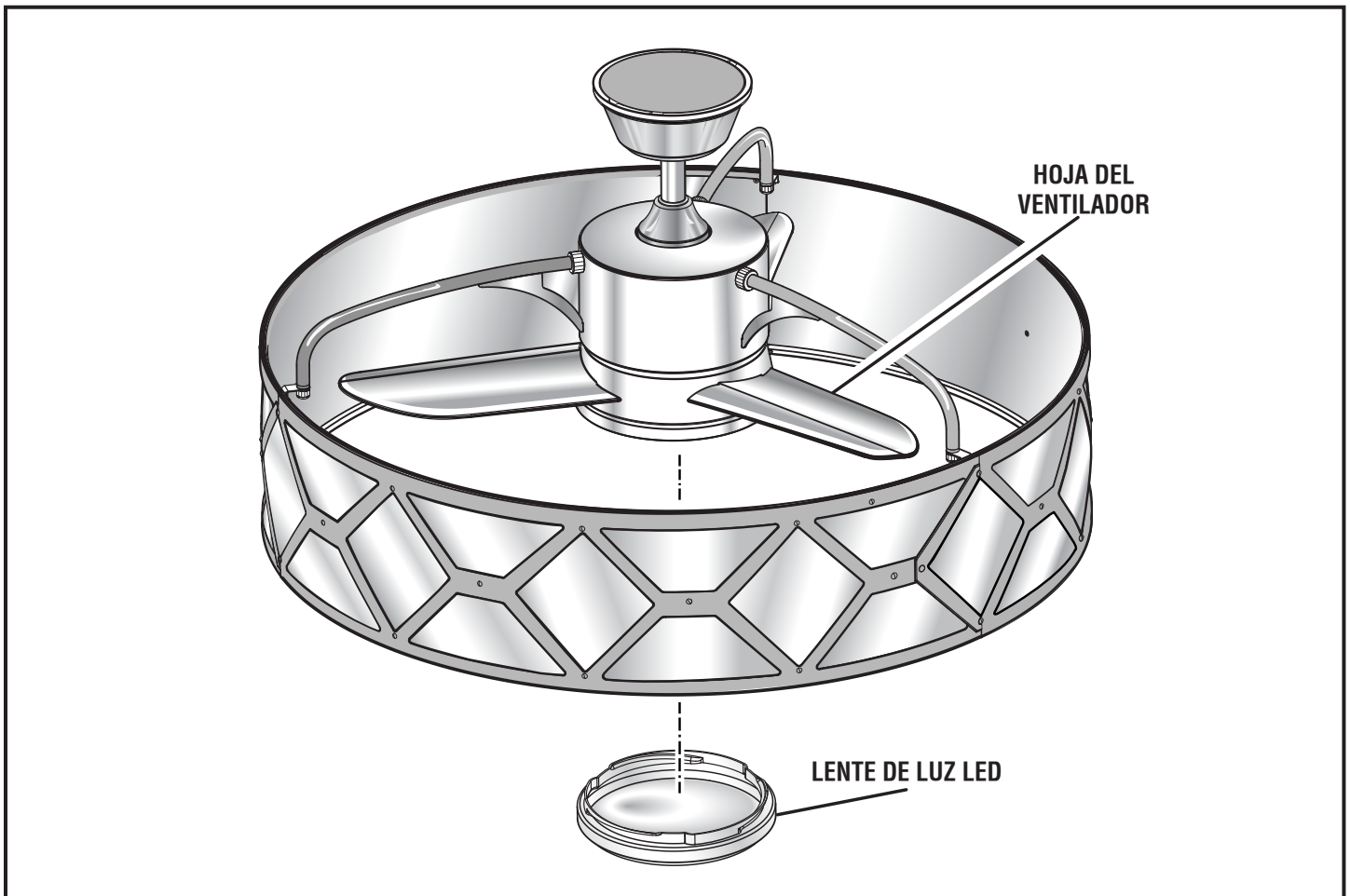
- En climas más fríos, seleccione una dirección de la hoja en el sentido contrario para obtener una dirección de flujo de aire hacia arriba. Esto ayudará a que el aire tibio circule desde el techo hacia el resto de la habitación.



MANTENIMIENTO

CUIDADO Y LIMPIEZA GENERAL

- Debido al movimiento natural de un ventilador de techo, las conexiones se pueden soltar con el tiempo. Revise todas las conexiones del ventilador de techo (sin incluir las conexiones eléctricas) al menos dos veces al año.
- El ventilador tiene rodamientos sellados lubricados permanentemente, por lo tanto no es necesario lubricarlos.
- Limpie su ventilador periódicamente para ayudar a mantener su apariencia como nuevo. Use solo un cepillo suave o un paño sin pelusas para evitar rayar el acabado. La chapa se sella con una laca para minimizar la decoloración o manchas. No use agua cuando limpie el ventilador, ya que esto podría dañar el motor o causar un choque eléctrico.
- Limpie las hojas del ventilador periódicamente con un paño suave y seco. No utilice agua ni otros líquidos para limpiar las hojas del ventilador.
- Si aparece algún residuo visible sobre la lente de luz LED, gire la lente hacia la izquierda para retirarla. Deseche los residuos presentes y limpie la cubierta según sea necesario con un paño suave y seco. Vuelva a colocar la lente de luz y gírela hacia la derecha para asegurarla.



SOLUCIÓN DE PROBLEMAS

ADVERTENCIA:

Apague la energía de la habitación y el interruptor de pared removiendo los fusibles o apagando los interruptores de circuito, según sea necesario, antes de intentar reparar el ventilador o las conexiones eléctricas. No hacer esto puede causar lesiones personales graves.

PROBLEMA	CAUSA POSIBLE
El ventilador no arranca.	<p>El interruptor de pared está apagado. Encienda el interruptor.</p> <p>El interruptor está disparado o se fundió el fusible. Restablezca el interruptor de circuito o reemplace el fusible.</p> <p>El cableado del ventilador de techo es incorrecto. Verifique las conexiones eléctricas del ventilador de techo. Si es incapaz de detectar el problema, consulte a un electricista calificado.</p>
El ventilador hace mucho ruido.	<p>Algo de ruido es natural durante el período de adaptación del ventilador. Puede esperar un período de adaptación mínimo 24 horas. La mayoría de los ruidos asociados con un ventilador nuevo se resolverán durante este tiempo.</p> <p>Los tornillos de la caja del ventilador están sueltos. Asegúrese de que todos los tornillos de la caja estén perfectamente apretados.</p>
El ventilador se tambalea.	<p>El pivote no está capturado en la ranura del soporte de montaje del ventilador. Consulte las instrucciones de la sección Como colgar el ventilador de techo en la página 12 para asegurarse de que el ventilador de techo esté colgado correctamente.</p> <p>La caja de empastes no está bien sujeta a las vigas del techo. Apriete los tornillos de la caja o use tornillos más largos, si es necesario, para sujetar bien.</p>
El control remoto no está funcionando.	<p>El interruptor de pared está apagado. Encienda el interruptor.</p> <p>La batería este agotadas. Cambie la pila de botón CR2032 del control remoto.</p> <p>El interruptor de pared tiene controles de velocidad de estado sólido. No use un interruptor de pared que tenga control de velocidad variable (es decir, un interruptor con regulador de intensidad).</p> <p>EL Control remoto no está sincronizado. Para sincronizarlo, apague el interruptor de pared y vuelva a encenderlo. En el plazo de un minuto después de encender el interruptor, mantenga presionados los botones de encendido/apagado del ventilador (⏻) y la luz (💡) del control remoto de forma simultánea durante aproximadamente 5 segundos.</p>

ACCESORIOS

Busque estos accesorios en la misma tienda en la que adquirió este producto o llame al 1-877-258-9740 de pedir:

- Cable de extensión de 304,8 mm (12 pulg.)039858008120
- Cable de extensión de 457,2 mm (18 pulg.)039858008180
- Cable de extensión de 609,6 mm (24 pulg.)039858008240
- Cable de extensión de 914,4 mm (36 pulg.)039858008360
- Cable de extensión de 121,9 cm (48 pulg.)039858008480
- Cable de extensión de 152,4 cm (60 pulg.)039858008600
- Cable de extensión de 182,9 cm (72 pulg.)039858008720
- Control remoto009863001604

ADVERTENCIA:

Arriba se señalan los aditamentos y accesorios disponibles para usarse con este producto. No utilice ningún aditamento o accesorio no recomendado por el fabricante de este producto. El empleo de aditamentos o accesorios no recomendados podría causar lesiones serias.

GARANTÍA

Garantía limitada para toda la vida

CÓMO OBTENER SERVICIO TÉCNICO: Para obtener piezas de reemplazo o servicio técnico de acuerdo con la garantía, comuníquese con un representante de One World Technologies, Inc., P.O. Box 1288, Anderson, SC 29622, llamando al 1-877-258-9740 o ingresando a www.TheStileLife.com. Cuando solicite servicio técnico según la garantía, tendrá que presentar documentación de prueba de compra (por ejemplo, una boleta de venta). Repararemos todas las fallas de mano de obra y repararemos o reemplazaremos las piezas defectuosas, a nuestro criterio. Realizaremos esto sin ningún cargo para usted.

LO QUE NO ESTÁ CUBIERTO: Esta garantía se aplica sólo al comprador original minorista y no es transferible. Esta garantía no cubre fallas o defectos derivados del mal uso, abuso, desgaste normal, descuido, alteración, modificación o reparación por parte de proveedores no autorizados fuera de los centros de servicio. Esta garantía no cubre los daños causados por una instalación no adecuada o el uso de piezas no suministradas o aprobadas por el fabricante para el uso con este ventilador. Cierta cantidad de movimiento es normal y no es un defecto. Debido a las diferentes condiciones climáticas, esta garantía no cubre los cambios en el acabado por oxidación, rayas, deslustre, corrosión o descascaramiento. Debe proteger siempre el ventilador de las diferentes condiciones climáticas.

Todos los costos de remoción y reinstalación son de responsabilidad expresa del comprador. One World Technologies, Inc., no otorga ninguna garantía, representación o promesa en cuanto a la calidad o el rendimiento de sus productos, además de lo que se estipula específicamente en esta garantía.

LIMITACIONES ADICIONALES: Cualquier garantía implícita otorgada bajo la ley estatal, incluyendo garantías de comerciabilidad o idoneidad para un propósito en particular, se limita a los términos aquí establecidos. One World Technologies, Inc. no es responsable por daños directos, indirectos o fortuitos, de manera que las limitaciones y exclusiones anteriores pueden no aplicarse a usted. Esta garantía le otorga derechos legales específicos y también puede contar con otros derechos que varían entre estados.

INFORMACIÓN DE ATENCIÓN AL CLIENTE:

Para obtener piezas, servicio técnico o acceso a un centro de servicio autorizado, llame al 1-877-258-9740 o visítenos en línea en www.TheStileLife.com.

El número de modelo y número de serie de este ventilador de techo se encuentran en una etiqueta en la parte superior de la caja del ventilador. Anote el número de modelo y de serie en el espacio provisto a continuación. Cuando llame para solicitar servicio según la garantía o piezas de repuesto, proporcione siempre la siguiente información:

Núm. de modelo _____ Núm. de serie _____



INSTALLATION GUIDE
GUIDE D'INSTALLATION / GUÍA DE INSTALACIÓN

Lancaster 36 in.
Enclosed Ceiling Fan
Lancaster de 36 po
Ventilateur de plafond
Lancaster de techo cerrado
Anderson de 36 pulg.

CF13650

Lexington 36 in.
Enclosed Ceiling Fan
Lexington de 36 po
Ventilateur de plafond
Lexington de techo cerrado
Anderson de 36 pulg.

CF23650

STILE is a trademark of Techtronic Power Tools Technology Limited.
STILE est une marque de commerce de Techtronic Power Tools Technology Limited.
STILE es una marca comercial de Techtronic Power Tools Technology Limited.

ONE WORLD TECHNOLOGIES, INC.

P.O. Box 1288
Anderson, SC 29622, USA
Phone 1-877-258-9740
www.TheStileLife.com