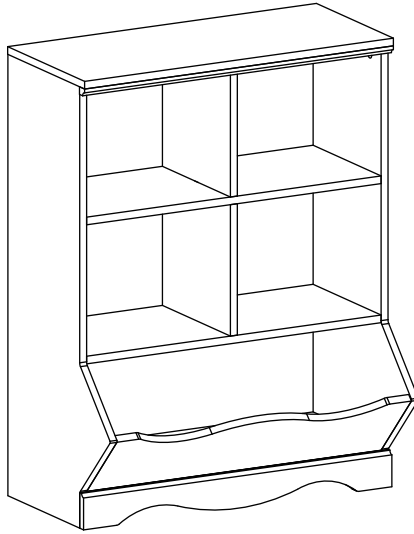


# ASSEMBLY INISTRUCTIONS

## BQ063

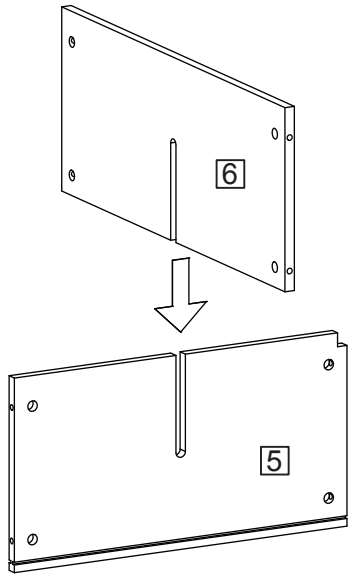
WEIGHT CAPACITY:20lbs



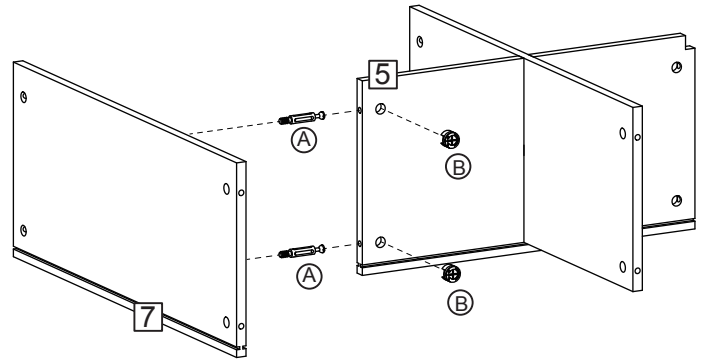
1 × 1pc		2 × 1pc		3 × 1pc	
4 × 1pc		5 × 1pc		6 × 1pc	
7 × 1pc		8 × 1pc		9 × 1pc	
10 × 1pc		11 × 2pcs		12 × 1pc	
(A) × 24pcs	(B) × 24pcs	(C) × 4pcs	(D) × 2pcs		

# ASSEMBLY INISTRUCTIONS

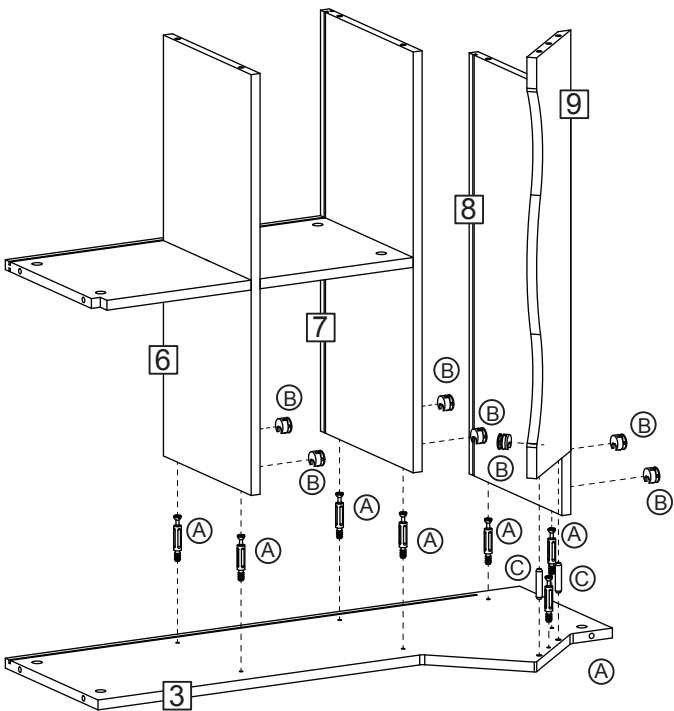
## STEP1



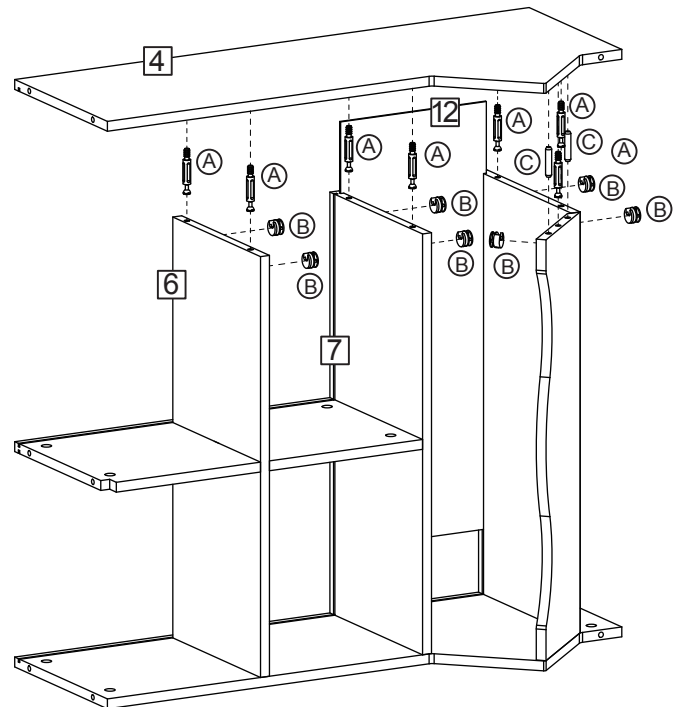
## STEP2



## STEP3

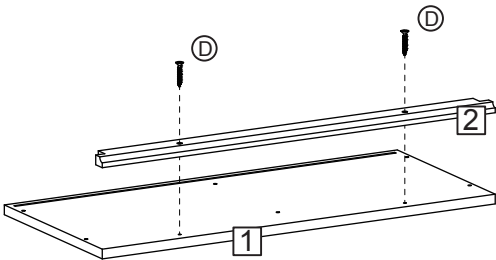


## STEP4

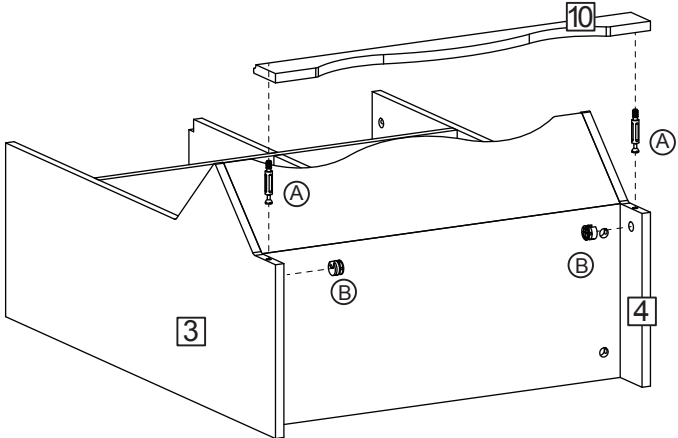


# ASSEMBLY INISTRUCTIONS

## STEP5



## STEP6



## STEP7

