

Features

- Metal construction
- Includes installation hardware
- Complements the Finial Traditional faucet line

Codes/Standards Applicable

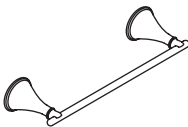





Specified model meets or exceeds the following:

- None applicable

Colors/Finishes

- CP: Polished Chrome
- Other: Refer to Price Book for additional colors/finishes

Specified Model

| Model/Description | | Model/Description | |
|--|---|---|---|
| K-360 Traditional 24" (61 cm) towel bar <input type="checkbox"/> CP <input type="checkbox"/> Other_____ |  | K-363 Traditional towel ring <input type="checkbox"/> CP <input type="checkbox"/> Other_____ |  |
| K-361 Traditional horizontal tissue holder <input type="checkbox"/> CP <input type="checkbox"/> Other_____ |  | K-364 Traditional robe hook <input type="checkbox"/> CP <input type="checkbox"/> Other_____ |  |
| K-362 Traditional soap dish <input type="checkbox"/> CP <input type="checkbox"/> Other_____ |  | K-365 Traditional 18" (45.7 cm) glass shelf <input type="checkbox"/> CP <input type="checkbox"/> Other_____ |  |

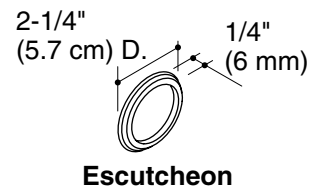
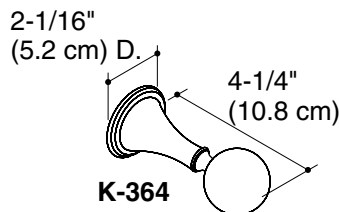
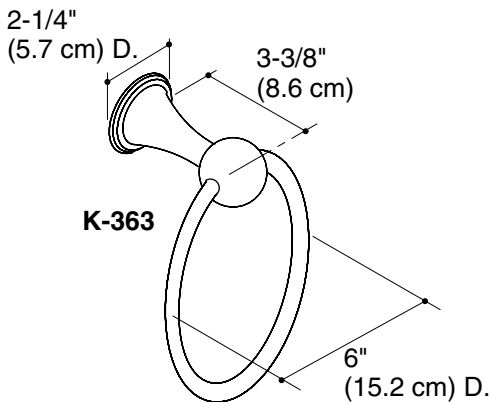
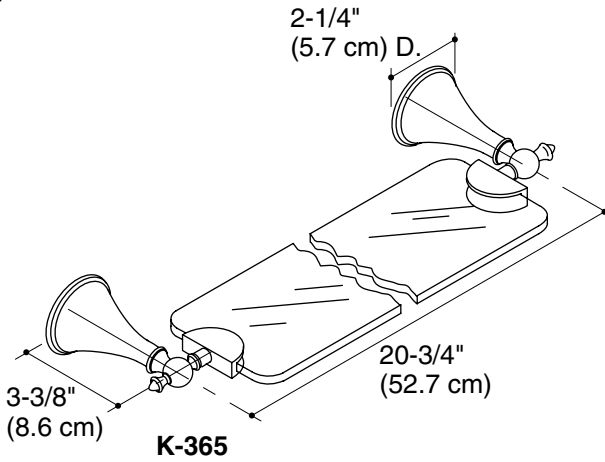
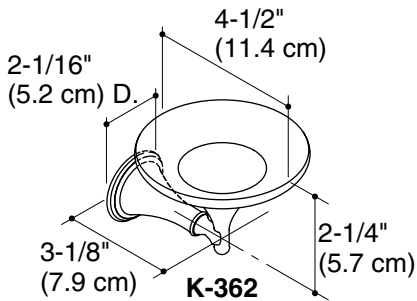
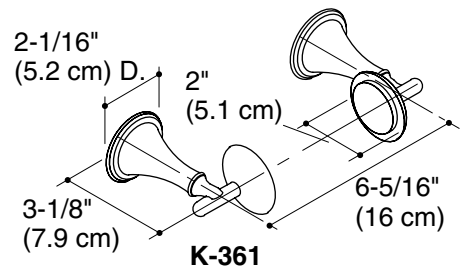
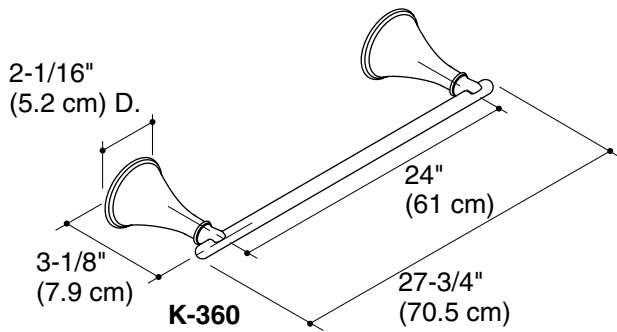
Product Specification

The accessories shall be of metal construction. Accessories shall include installation hardware. Accessories shall complement the Finial Traditional faucet line. Accessories shall be Kohler Model K-____-____.

FINIAL® TRADITIONAL

Installation Notes

Install this product according to the installation guide.



Product Diagram