

GTW685BSL/BPL

GE® Series 4.5 DOE Cu. Ft. Stainless Steel Capacity Washer

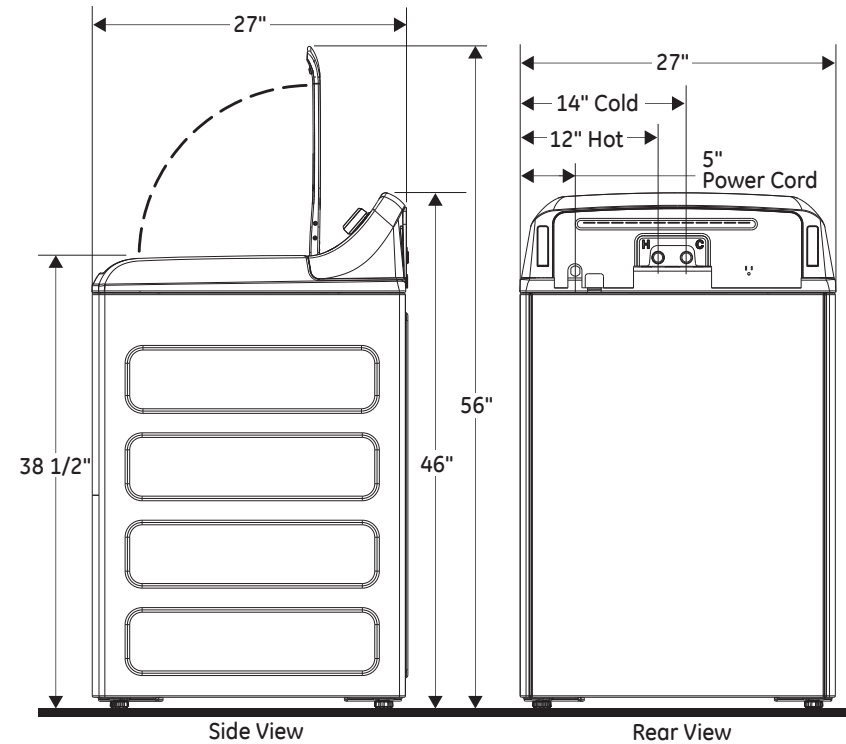
DIMENSIONS AND INSTALLATION INFORMATION (IN INCHES)

CIRCUIT REQUIREMENTS: An individual, properly-grounded branch circuit, with a three-prong grounding-type receptacle, protected by a 15 or 20 amp circuit breaker or a time-delay fuse, is required.

ELECTRICAL RATING: 120V, 60Hz, 10A

NOTE: Washer wall outlet must be located within 36" of service code entry. Wall outlet must not be located behind dryer.

INSTALLATION INFORMATION: Before installing, consult installation instructions packed with product for current dimensional data.



For answers to your Monogram, GE Café™ Series, GE Profile™ Series or GE Appliances product questions, visit our website at geappliances.com or call GE Answer Center® Service, 800.626.2000.



Specification Revised 4/17

GTW685BSL/BPL

GE® Series 4.5 DOE Cu. Ft. Stainless Steel Capacity Washer

FEATURES AND BENEFITS

Deep Fill – Customize your water-fill levels with just the touch of a button. Add a little extra or fill the tub to wash the way you want

Stain Removal Guide – Clean 5 of the most common stains with preprogrammed settings that modify any cycle to help remove blood, tomato, wine, dirt and grass

Warm Rinse – Choose a warm water rinse so every part of your laundry experience fits your preference

Sanitize with Oxi – Remove 99.9% of bacteria with a dedicated cycle that uses an Oxi additive to boost your detergent's cleaning power, while keeping fabrics looking and feeling their best

Auto Soak – Loosens stains by soaking up to 2 hours

Deep Rinse – When selected, the deep rinse cycle ensure clothes are rinsed of soap residue and fabric softener

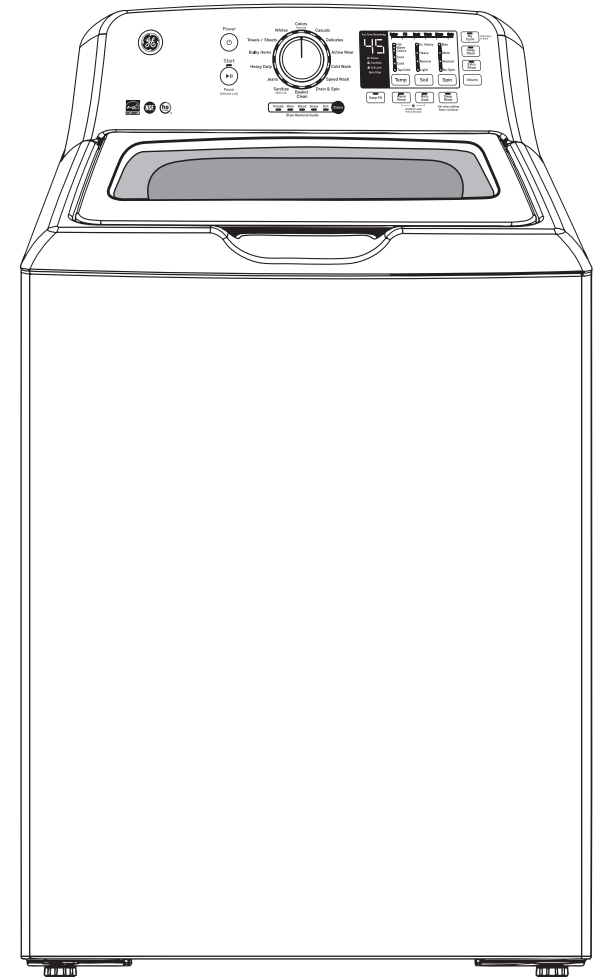
Soft-close glass lid – Engineered with hydraulic suspension, so the lid always closes gently

Speed Wash – Provides a quick wash for lightly soiled items that are needed in a hurry

800-RPM spin speed – Fast spin speeds remove water efficiently and minimize dry times

Model GTW685BSLWS – White with silver backsplash

Model GTW685BPLDG – Diamond Gray



For answers to your Monogram, GE Café™ Series, GE Profile™ Series or GE Appliances product questions, visit our website at geappliances.com or call GE Answer Center® Service, 800.626.2000.