

Model 3060 ShowerTub™ Single Threshold



Model 3060 ShowerTub™
 Available in White or Bone
 (shown with CareGiver 26" Seat and 20" x 42" Grab Bar)

Complies with specifications:

- American National Standards Institute (ANSI)-Specification Z124.1 and Z124.2
- American Society of Testing & Materials (ASTM)-D635 Flammability, E84 Flame Spread, E165.75 Fire Retardance
- Inhalation Toxicity Test

SPECIFICATIONS

Model No.	Color	Drain	UPC
3060R	White	RH	6 71031 00355 5
3060RBN	Bone	RH	6 71031 00356 0
3060L	White	LH	6 71031 00357 7
3060LBN	Bone	LH	6 71031 00358 4

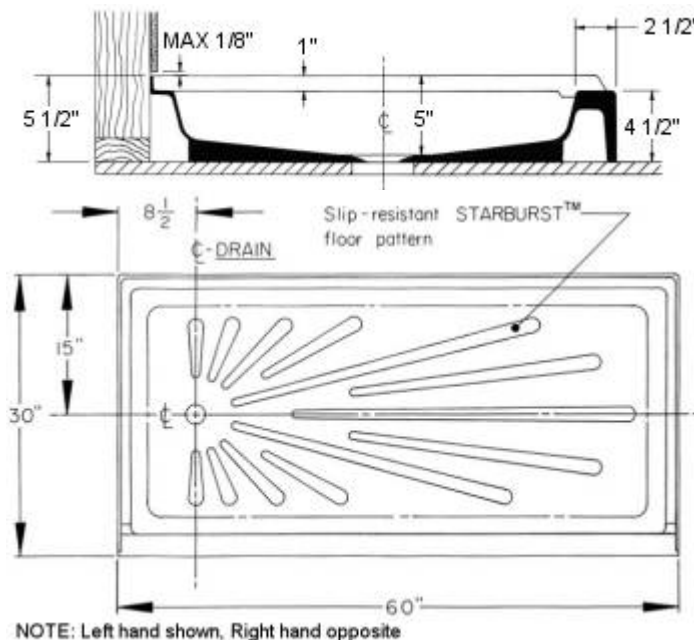
Model 3060 ShowerTub™

Now, easily replace a standard 5' bathtub with an easy-access shower—or install one very efficiently in new construction where a standard bathtub was planned.

Only ShowerTub™ is sized and designed to let you achieve it, with no need for major replumbing or changing room layout. It fits in a 30" x 60" tub space and uses the existing 1-1/2" tub waste. Drain hole is offset 8-1/2" x 15" and available as a right or left hand.

More convenient and spacious to use, ShowerTub™ eliminates the difficulties of stepping up and over a 15" tub apron. Excellent for seniors living independently, and for general family convenience! Plus—it provides about 35% more usable interior floor space than a standard tub. And its one-piece molded fiberglass construction features a slip-resistant floor and semigloss finish that resists mold, mildew and stains.

Make ShowerTub™ your distinctive advantage in remodeling and new bath projects!



General: Furnish and install as shown on plans, CareGiver™ ShowerTub™ model ____ as manufactured by E.L. Mustee & Sons, Inc. Floor to be one-piece, molded fiberglass, using matched metal molds under extreme heat and pressure. Surface to be slip-resistant design that does not interfere with flow of water. Size: 30" x 60". Flood level rim will be not less than 3" high. Tiling flange will extend not less than 1" higher than the threshold which is an integral molded water barrier. Threshold will be 4-1/2" high. Offset 2" drain hole on 8-1/2" by 15" centers to accept standard 1-1/2" tub waste. Available on right or left hand. Color ____ (White, Bone).