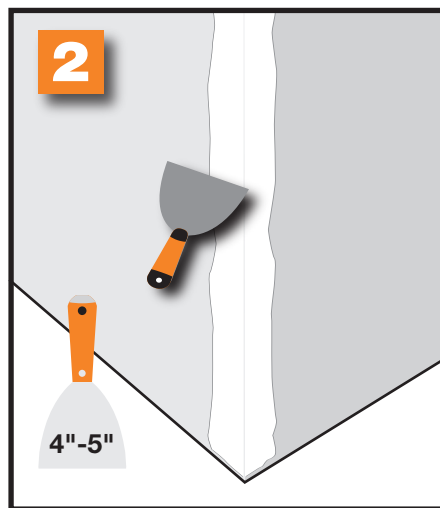


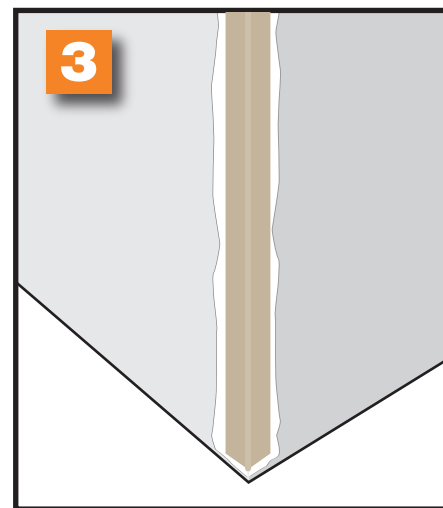
**1**  
**Measure & Cut**

Measure 1/2 inch shorter than the floor to ceiling distance. Make two cuts toward the centerline, using tin snips. Use one continuous length, do not splice. Trim ends at 45° angle.



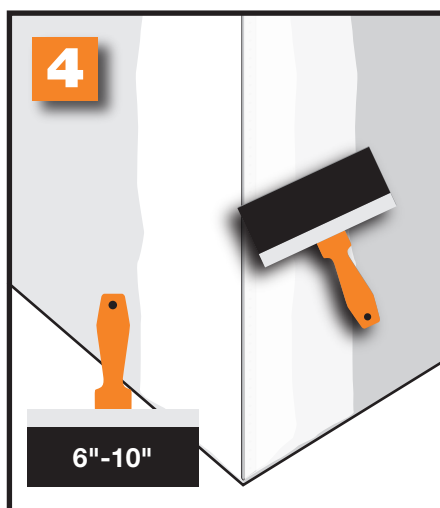
**2**  
**Apply Mud**

Thin joint compound with water. Apply a generous, uniform layer 2" on both sides.



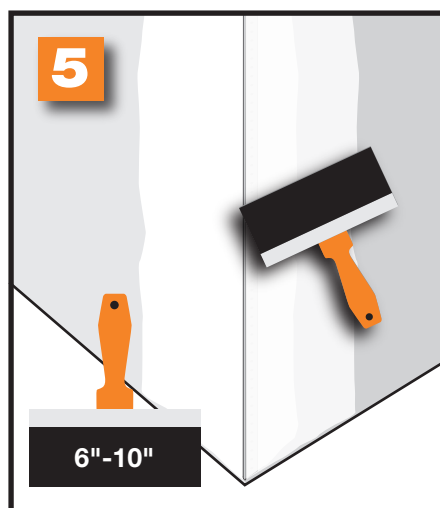
**3**  
**Set the bead**

Using light, even pressure set the bead centered on the corner and tight to the ceiling.



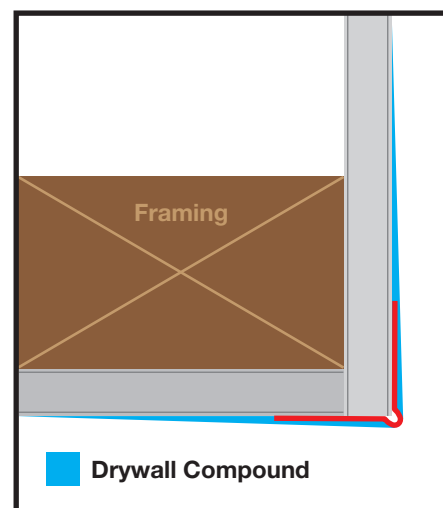
**4**  
**Top Coat Mud**

Using a 6" - 10" drywall tapping knife, apply a top coat of drywall joint compound to each side. Feather the compound 8" - 10" from the corner. Allow to dry.



**5**  
**Skim Coat**

Apply a thinner third coat of drywall joint compound to each side, feathered 10" - 12". Allow to dry.



**Top View**

Overlapping drywall sheets form the corner. The feathering of the drywall joint compound smoothly covers the nails & corner bead.