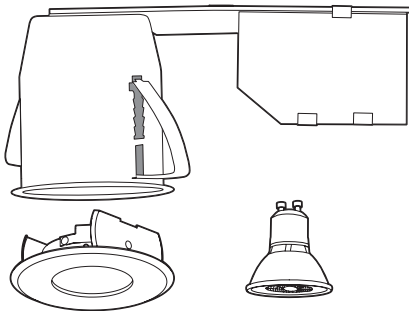


PRODUCT SPECIFICATIONS

3 in Directional Recessed Kit with LED Bulb



91266
SKU# 1002804988



ADVANTAGES

- 50 Watt Equivalent
- 25,000 Hours of Continuous Use
- 5 Year Warranty
- Dimming to 10% Without Buzzing or Flickering
- IC Rated for Direct Contact with Insulation
- 90 CRI Provides High Color Quality

SPECIFICATIONS

Model Number	91266
SKU	1002 804 988
OSMID	304982515
Power	6.5 W
AC Voltage, Frequency	Line Voltage
Color Temp (nom.)	3000K
Operation Temp	-13°F ~ 113°F
CRI	90
Lumen Output (min.)	400 lm
Dimming	YES
Lifetime Rating	25000Hrs
Efficacy	62 lm/watt

PACKAGING

Weight (±0.5 lb)	0.82 lbs
Size (L x W x H) (±0.1 in)	4.21 in x 4.25 in x 3.93 in
Box Dimensions	6.9 in x 4.57 in x 4.13 in
Gross Weight	1.01 lbs
UPC	058219912669

DIMMER LIST

LUTRON	LEVITON
D-600PH-DK	6672
TGCL-153PH-WH	
S-600P	
MACL-153M-WH	
DVW-603PGH-WH	
TG-600PH-WH	
SCL-153PH-WH	
TTCL-100H-WH	
MACL-153MR-WH	



INCLUDED IN BOX

- LED Downlight (1)
- Hole Template (1)

APPLICATIONS

Suitable for Damp Location

Contact Information 1-877-527-0313 · WWW.HOMEDEPOT.COM