

Wyndham Two Door Four Drawer Vanity

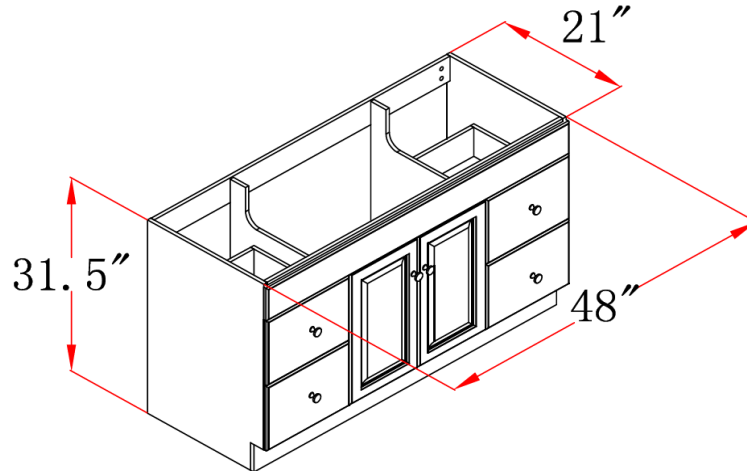


Specifications

- Cam-lock connectors for fast & easy assembly
- Durable thermofoil, full overlay door design
- Easy glide drawer glides
- Frameless design for increased storage space and accessibility
- Silver finish hardware
- White Semi-Gloss Finish
- Vanity top sold separately



Dimensions



Warranty & Compliances

Warranty Limited 1 year warranty
California 93120 Compliant



Order Codes & Finishes/Colors

48"w x 21"d x 31.5"h

531145

| |
|--------------------|
| Type: |
| Job: |
| Order Code: |
| Approvals: |

Design House reserves the right to make changes in materials, specifications & models at any time. Design House also reserves the right to discontinue product without notice or obligation.