

BUCKET HEAD™

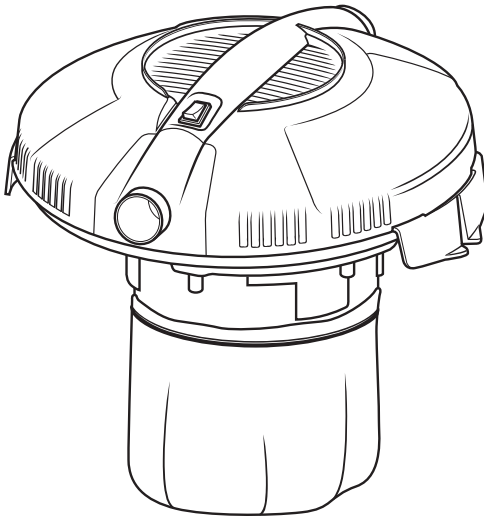
WET/DRY VAC POWERHEAD

OWNER'S MANUAL

Wet/Dry Vac Powerhead for
Home Depot Multi-Use Buckets

Model Number:

BH01000



USE REPLACEMENT FILTER VF2000

QUESTIONS OR COMMENTS? CALL

In the US or Canada: 1-866-994-8759

In Mexico: 001-888-237-8981

▲ WARNING:

To reduce the risk of injury, the user must read and understand the owner's manual before using this product.

- Español - página 10
- Français - page 19

SAVE THIS MANUAL FOR FUTURE REFERENCE

TABLE OF CONTENTS

Section	Page	Section	Page
Important Safety Instructions	2	Maintenance	7
Introduction	4	Filter	7
Grounding Instructions	4	Replacing the Filter	7
Operation	5	Cleaning	8
Vacuuming Dry Materials	6	Storage	8
Vacuuming Liquids	6	Troubleshooting	8
Blowing Feature	7	Replacement Filter	8

IMPORTANT SAFETY INSTRUCTIONS

Safety is a combination of common sense, staying alert, and knowing how your wet/dry vacuum cleaner (“Vac”) works.

Safety Signal Words

▲ DANGER: Indicates a hazardous situation which, if not avoided, **will** result in death or serious injury.

▲ WARNING: Indicates a hazardous situation which, if not avoided, **could** result in death or serious injury.

▲ CAUTION: Indicates a hazardous situation which, if not avoided, **may** result in minor or moderate injury, or property damage.

When using your Vac, always follow basic safety precautions including the following:

▲ WARNING

- To reduce the risk of fire, electric shock, or injury:

- Read and understand this manual and all labels on the Vac before operating.
- Use only as described in this manual.
- Do not leave Vac running while unattended - you may fail to notice important signs indicating abnormal operation such as loss of suction, debris/liquid exiting exhaust, or abnormal motor noises. Immediately stop using Vac if you notice these signs.
- Use this power head only with **The Home Depot®** Buckets, UPC# 0 26703 05555 0, 0 84305 35554 6, 0 62602 00582 1, or 7 501058 561596.
- Sparks inside the motor can ignite flammable vapors or dust. To reduce the risk of fire or explosion, do not use near flammable or combustible

liquids, gases, or dusts, such as gasoline or other fuels, lighter fluid, cleaners, oil-based paints, natural gas, coal dust, magnesium dust, grain dust, aluminum dust, or gun powder. Do not use on a bucket that contains residuals of such vapors or dusts.

- Do not vacuum anything that is burning or smoking, such as cigarettes, matches, or hot ashes.
- Do not vacuum drywall dust, cold fireplace ash, or other fine dusts, which may pass through the bag filter and be exhausted back into the air.
- To reduce the risk of inhaling toxic vapors, do not vacuum or use near toxic or hazardous materials.
- To reduce the risk of electric shock, do not expose to rain or allow liquid to enter motor compartment. Store indoors.
- This Wet/Dry Vac is not intended for use by persons (including children) with reduced physical, sensory, or mental capabilities, or lack of experience and knowledge, unless they have been given supervision or instruction concerning use of the appliance by a person responsible for their safety.
- Do not allow to be used as a toy. Close attention is necessary when used by or near children.
- Do not use with a torn filter or without the filter installed except when vacuuming liquids as described in this manual. Dry debris ingested by the impeller may damage the motor or be exhausted back into the air.

- Do not leave Vac when plugged in. Unplug from outlet when not in use and before servicing.
- Turn off Vac before unplugging.
- To reduce the risk of injury from accidental starting, unplug power cord before changing or cleaning filter.
- Do not unplug by pulling on cord. To unplug, grasp the plug, not the cord.
- Do not use with damaged cord, plug or other parts. If your Vac is not working as it should, has missing parts, has been dropped, damaged, left outdoors, or dropped into water, call customer service.
- Do not pull or carry by cord, use cord as handle, close a door on cord, or pull cord around sharp edges or corners. Keep cord away from heated surfaces.
- Do not handle plug, switch, or the Vac with wet hands.
- Do not put any object into ventilation openings. Do not vacuum with any ventilation openings blocked; keep free of dust, lint, hair or anything that may reduce air flow.
- Keep hair, loose clothing, fingers, and all parts of body away from openings and moving parts.
- To reduce the risk of falls, use extra care when cleaning on stairs.
- To reduce the risk of tip-over when carrying by bucket handle/bail, be sure handle/bail is snapped into retention notches in latches.
- When using as a blower:
 - Direct air discharge only at work area.
 - Do not direct air at bystanders.
 - Keep children away when blowing.
 - Do not use blower for any job except blowing dirt and debris.
 - Do not use as a sprayer.
- To reduce the risk of eye injury, wear safety eyewear. The operation of any utility Vac or blower can result in foreign objects being blown into the eyes, which can result in severe eye damage.
- To reduce the risk of personal injury or damage to the Vac, use only compatible RIDGID brand accessories.
- Connect only to a properly-grounded outlet. See grounding instructions.
- Use only extension cords that are rated for outdoor use. Extension cords in poor condition or too small in wire size can pose fire and shock hazards. To reduce the risk of these hazards, be sure the cord is in good condition and that liquid does not contact the connection. Do not use an extension cord with conductors smaller than 16 gauge (AWG) in size. To reduce power loss, use a 14 gauge extension cord if 25 ft. to 50 ft. (8 m to 15 m) long and 12 gauge for 50 ft. (15 m) or longer.

▲ CAUTION:

- To reduce the risk of hearing damage, wear ear protectors when using for extended time or in a noisy area.
 - For dusty operations, wear dust mask.
 - **Static shocks are common** when the relative humidity of the air is low. Vacuuming fine debris with your Vac can deposit static charge on the hose or Vac. To reduce the frequency of static shocks in your home or when using this Vac, add moisture to the air with a humidifier.
-

Observe the following warnings that appear on the motor housing of your Vac:

▲ WARNING:

- **TO REDUCE THE RISK OF INJURY, USER MUST READ OWNER'S MANUAL.**
- **TO REDUCE THE RISK OF ELECTRIC SHOCK, USE THIS POWER HEAD ONLY WITH THE HOME DEPOT® BUCKETS, UPC# 0 26703 05555 0, 0 84305 35554 6, 0 62602 00582 1, OR 7 501058 561596.**
- **Do not leave running while unattended.**
- **Do not pick up hot ashes, coals, toxic, flammable or other hazardous materials, or use around explosive liquids or vapors, including residuals leftover in the bucket.**

▲ WARNING: To reduce the risk of electric shock - do not expose to rain. Store indoors.

SAVE THIS MANUAL

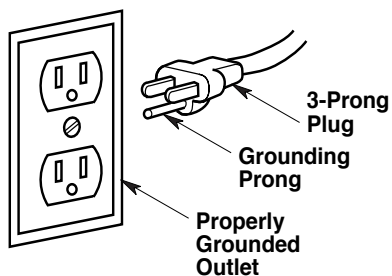
INTRODUCTION

This power head is intended to be used only with a 5 U.S. gallon (19 Liter) plastic bucket, approximately 14-1/2 inches (368 mm) tall with a top diameter of 11-3/4 inches (298 mm) with a 10 gauge steel wire, bale-type handle. This bucket is available from The Home Depot. With this bucket you have a Vac that is intended for household use.

It may be used for light vacuuming of wet or dry media and may also be used as a blower. The light-weight design allows usage for many small household vacuuming chores. Familiarize yourself with the product and read the entire owner's manual for specific usage of your new Wet/Dry Vac.

GROUNDING INSTRUCTIONS

This appliance must be grounded. If it should malfunction or break down, grounding provides a path of least resistance for electric current to reduce the risk of electric shock. This appliance is equipped with a cord having an equipment-grounding conductor and grounding plug. The plug must be inserted into an appropriate outlet that is properly installed and grounded in accordance with all local codes and ordinances.

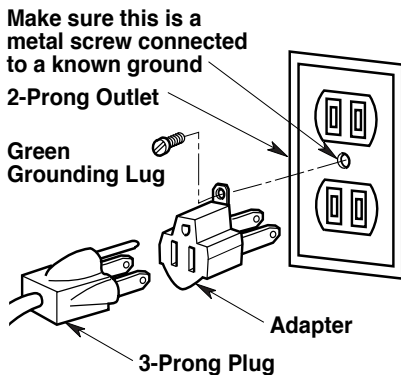


the adaptor must be connected to a permanent ground such as a properly grounded outlet box cover. Whenever the adaptor is used, it must be held in place by a metal screw.

NOTE: In Canada, the use of a temporary adaptor is not permitted by the Canadian Electrical Code.

▲ WARNING:
Improper connection of the equipment grounding conductor can result in a risk of electric shock. Check with a qualified electrician or service person if you are in doubt as to whether the outlet is properly grounded. Do not modify the plug provided with the appliance - if it will not fit the outlet, have a proper outlet installed by a qualified electrician.

This appliance is for use on a nominal 120 volt circuit, and has a grounded plug that looks like the plug shown. A temporary adaptor that looks like the adaptor shown may be used to connect this plug to a 2-pole receptacle, as shown, if a properly grounded outlet is not available. The temporary adaptor should be used only until a properly grounded outlet can be installed by a qualified electrician. The green colored rigid ear, lug or the like extending from



OPERATION

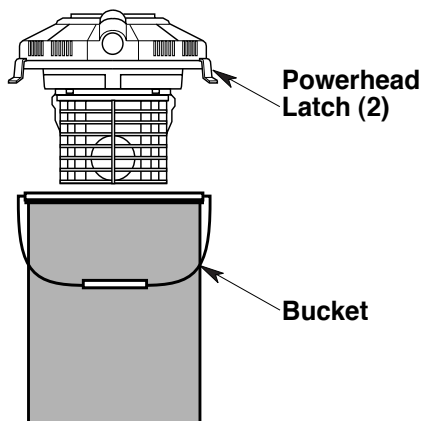
▲ WARNING: To reduce the risk of fire, explosion, or damage to Vac:

- Do not leave Vac running while unattended - you may fail to notice important signs indicating abnormal operation such as loss of suction, debris/liquid exiting exhaust, or abnormal motor noises. Immediately stop using Vac if you notice these signs.
- Do not leave Vac plugged-in when not in use.
- Do not continue running when float has cut off suction.
- Do not operate Vac in areas with flammable gases, vapors or explosive dust in the air. Sparks inside the motor can ignite airborne flammables. Flammable gases and vapors include: lighter fluid, solvent-type cleaners, oil-based paints, gasoline, alcohol, or aerosol sprays. Flammable dusts include: coal, magnesium, aluminum, grain, or gun powder.
- Do not vacuum up explosive dusts, flammable liquids, or hot ashes.

▲ WARNING: To reduce the risk of electric shock or injury:

- Do not expose to rain or allow liquid to enter motor compartment. Store indoors.
- Do not handle plug, switch, or Vac with wet hands.
- Do not service Vac while it is plugged-in. If your Vac is not working as it should, has missing parts, has been dropped, damaged, left outdoors, or dropped into water, immediately call customer service at 1-800-469-4663.
- When using an extension cord, use only outdoor-rated cords that are in good condition. Do not allow the connection to come into contact with liquid.

Align the powerhead latches with the bucket handle/bail. Press down firmly over each latch to engage the latches with the bucket.

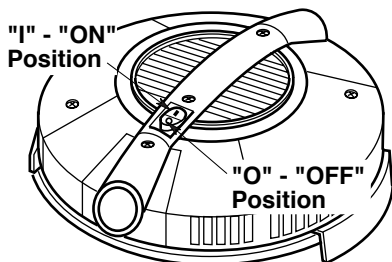


After plugging the power cord into the wall receptacle, turn the unit "ON" by pushing the switch from position "O" to position "I". The symbols used on the switch are international symbols.

○ = OFF | = ON

To remove the power head from the bucket, remove the hose from the powerhead and rotate the bucket handle/bail away from the power cord. Slightly spread both latches away from the bucket and lift the powerhead off.

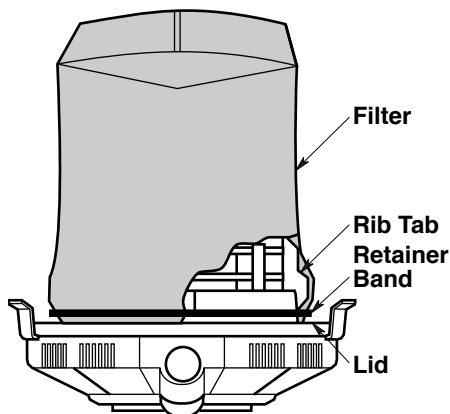
To reduce the risk of tip-over when carrying by the handle/bail, align the Bucket Head® latches above the bail attach points and be sure the bail is snapped into the retention grooves on the latches.



OPERATION (continued)

Vacuating Dry Materials

1. It is very important to assemble the filter to the cage without allowing any possible leaks or tears. Any leaks will allow the media being picked up to be blown out of the blower port and back into the surrounding environment. See "Replacing the Filter" in the Maintenance section for complete details.

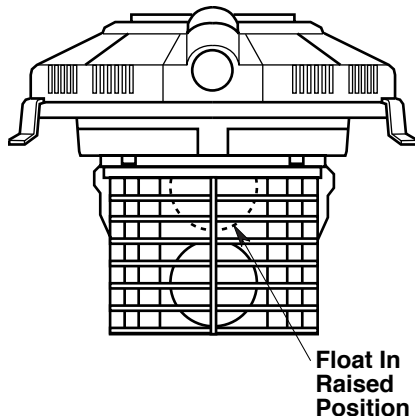


2. To maintain peak performance of your Vac when picking up small debris such as sawdust, it may be helpful to empty the bucket and replace the filter at more frequent intervals.

NOTE: The filter should be dry to pick up dry material. If you use your Vac to pick up dry debris when the filter is wet, the filter will clog quickly. If the filter gets wet, replace it before continuing dry pickup.

Vacuating Liquids

1. Removal of the filter is recommended for wet pickups.
2. This Wet/Dry Vac is equipped with a float mechanism which will rise automatically to cut off the airflow when the liquid in the drum reaches a predetermined level. When this happens, turn off Vac, unplug the power cord, and empty the bucket. You will know that the float has shut the airflow off because the suction ceases and the motor noise becomes higher in pitch, due to increased motor speed. The liquid capacity may vary with the rate of pickup.
3. If a filter was used for wet pickup, be sure to replace filter after wet pickup. Never pick up dry debris without the filter properly installed.



OPERATION (continued)

Blowing Feature

Your Vac has the capability to blow sawdust and other debris.

Insert one end of the hose into the blowing port and begin operating.

▲ WARNING: Always wear safety eyewear complying with ANSI Z87.1 (or in Canada CSA Z94.3) when using as a blower. To reduce the risk to bystanders, keep them clear of blowing debris.

▲ CAUTION:

- Wear a dust mask if blowing creates dust which might be inhaled.
- To reduce the risk of hearing damage, wear ear protectors when using the Vac/blower for extended time or in a noisy area.

MAINTENANCE

▲ WARNING: To reduce the risk of injury, unplug powerhead before servicing the electrical parts of the Wet/Dry Vac powerhead.

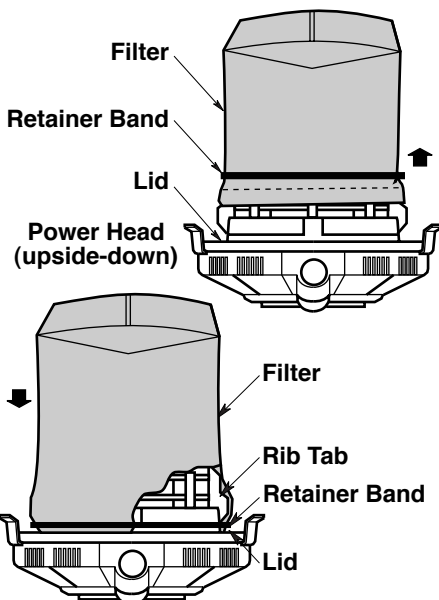
Filter

Your filter should be frequently replaced to maintain peak Vac performance.

Do not tear the filter during removal or installation if your intent is to reuse the filter.

Replacing the Filter

1. Carefully remove the elastic retainer band that is holding the filter in place.
2. Remove filter bag from the filter cage.
3. Clean the area of the lid so that the retainer band will seal the bag against the lid and stop small particles from bypassing the filter bag.
4. Place the replacement filter on the filter cage until open end touches bottom of lid.
5. Spread open the retainer band with both hands and carefully slide down over the filter/cage, to the bottom near the lid. Release the band so that it fits over the tabs at the base of the cage.
6. Make sure the retainer band is positioned on the filter bag covering the black printed line, and is placed over the rib tabs on the filter cage.



IMPORTANT: To avoid damage to the blower wheel and motor, always reinstall the filter before using the Vac for dry material pick-up.

▲ WARNING: Do not remove the filter cage and float. The float prevents liquid from entering the impeller and damaging the motor. The cage prevents fingers from touching the moving impeller.

MAINTENANCE (continued)

Cleaning

To keep your Wet/Dry Vac looking its best, clean the outside with a cloth dampened with warm water and mild soap.

Storage

Before storing your powerhead, the cord should be wrapped around the unit to keep it from getting damaged.

The supply cord cannot be replaced. If the cord is damaged, the Vac should be destroyed and replaced.

TROUBLESHOOTING

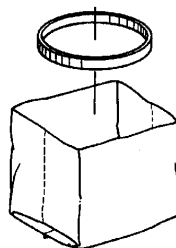
Problem	Cause	Remedy
Vac will not pick up dirt	<ol style="list-style-type: none">1. Clogged filter2. Clogged hose3. Air leak	<ol style="list-style-type: none">1. Clean or replace filter (follow instructions on page 7).2. Remove hose and clear debris.3. Make sure power head is securely attached to bucket and the bucket is one of the designated types.
Vac will not run	<ol style="list-style-type: none">1. No electricity	<ol style="list-style-type: none">1. Make sure electrical outlet has voltage. (A qualified electrician may need to be contacted).

Electrical Ratings: BH01000 120 V, 4 A, 60 Hz

⚠ WARNING: If any of the power head assembly parts should become detached or broken, exposing motor or any other electrical components, operation should be discontinued immediately to avoid personal injury or further damage to the vacuum. This vacuum has no user serviceable parts, except the filter.

REPLACEMENT FILTER

Replacement filters are available where you purchased your Vac.
The Stock Number is VF2000.



Model Number: BH01000
90-Day Limited Warranty

Emerson Tool Company warrants, to the original purchaser only, and subject to the exclusions described below, this Product to be free from defects in material and workmanship for 90-days from the original date of purchase (the "Warranty Period").

What is Not Covered

This limited warranty does not extend to, and expressly excludes, losses or damages due to commercial use of the product, failures due to misuse, accident, abuse, neglect, negligence, unauthorized repair (other than Emerson Tool Company's), and/or normal wear and tear.

What We Will Do to Correct Problems

If a claim made during the Warranty Period is covered under this limited warranty, Emerson Tool Company will, at its sole option, provide one of the following remedies as the **SOLE AND EXCLUSIVE REMEDY FOR SUCH BREACH**: (a) repair, correct or replace the defective portion of the Product and return it at no charge, or (b) provide a refund equal to the purchase price paid for the Product.

No Other Express Warranty Applies

This limited warranty is the sole and exclusive warranty provided to original purchasers of the Product. No employee, agent, dealer, or other person is authorized to alter this limited warranty, or make any other warranty, on behalf of Emerson Tool Company.

How to Notify Us

To obtain the benefits of this limited warranty, before the limited warranty expires, please call Customer Service at 1-866-994-8759 from the U.S. or Canada, or 01-888-237-0981 from Mexico. If the retailer's normal return policy has expired, the Product must be shipped, with a copy of its original sales receipt, to Emerson Tool Company via prepaid shipping. Upon receipt of the Product, Emerson Tool Company will determine, in its sole and absolute discretion, whether the claim is covered or subject to the limitations or exclusions described in this limited warranty. Repairs or modifications made to the Product by any party other than Emerson Tool Company, or its authorized representative(s), will nullify this limited warranty.

Limitation of Liability

TO THE EXTENT PERMITTED BY LAW, IN NO EVENT SHALL EMERSON TOOL COMPANY BE LIABLE FOR ANY INCIDENTAL, SPECIAL, INDIRECT, OR CONSEQUENTIAL DAMAGES, INCLUDING ANY ECONOMIC LOSS, WHETHER RESULTING FROM NONPERFORMANCE, PERFORMANCE DELAY, USE, MISUSE OR INABILITY TO USE THE PRODUCT OR EMERSON TOOL COMPANY'S NEGLIGENCE, NOR SHALL IT BE LIABLE FOR ANY DAMAGES, REGARDLESS OF THE FORM OF THE CLAIM OR CAUSE OF ACTION, IN EXCESS OF THE PRICE PAID BY THE ORIGINAL PURCHASER FOR THE PRODUCT. The term "consequential damages" shall include, but not be limited to, loss of anticipated profits, business interruption, loss of use or revenue, cost of capital or loss or damage to property or equipment.

Some states do not allow the exclusion or limitation of incidental or consequential damages, so the above limitation may not apply to you.

This limited warranty gives you specific legal rights, and you may also have other rights which vary from state to state, province to province, or country to country.

Stock No. BH0100

Model No. BH01000

Serial Number _____

The product date code may be found on the drum latch and the model number can be found on the side of powerhead. You should record both model and serial numbers in a safe place for future use.

QUESTIONS OR COMMENTS? CALL
In the US or Canada: 1-866-994-8759
In Mexico: 001-888-237-8981

Please have your Model Number and Serial Number on hand when calling.



© 2016 The Emerson Tool Co., All Rights Reserved.

BUCKET HEAD™

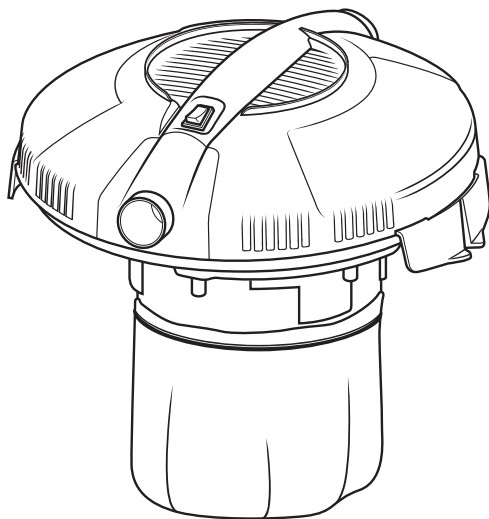
CABEZA MOTRIZ DE ASPIRADORA
PARA MOJADO/SECO

MANUAL DEL USUARIO

Cabeza motriz de aspiradora para mojado/seco
para cubetas multiuso Home Depot

Número de modelo:

BH01000



USE EL FILTRO DE REPUESTO VF2000

¿PREGUNTAS O COMENTARIOS? LLAME

En los EE.UU. o Canadá: 1-866-994-8759

En México: 001-888-237-8981

▲ ADVERTENCIA:

Para reducir el riesgo de lesiones, el usuario debe leer y entender el manual del usuario antes de utilizar este producto.

GUARDE ESTE MANUAL PARA REFERENCIA FUTURA

INDICE

Sección	Página	Sección	Página
Instrucciones de seguridad importantes	11	Mantenimiento	16
Introducción	13	Filtro	16
Instrucciones de conexión a tierra	13	Reemplazo del filtro.	16
Funcionamiento.	14	Limpieza	17
Recogida de materiales secos		Almacenamiento	17
con la aspiradora	15	Localización y resolución de problemas . . .	17
Recogida de líquidos con la aspiradora . .	15	Filtro de repuesto	17
Dispositivo de soplado	16		

INSTRUCCIONES DE SEGURIDAD IMPORTANTES

La seguridad es una combinación de sentido común, permanecer alerta y saber cómo funciona la aspiradora para mojado/seco (“la aspiradora”).

Palabras de señal de seguridad

▲ PELIGRO: indica una situación peligrosa que, si no se evita, **causará** la muerte o lesiones graves.

▲ ADVERTENCIA: indica una situación peligrosa que, si no se evita, **podría** causar la muerte o lesiones graves.

▲ PRECAUCIÓN: indica una situación peligrosa que, si no se evita, **podría** causar lesiones leves o moderadas o daños materiales.

Cuando utilice la aspiradora, siga siempre las precauciones básicas de seguridad, incluyendo las siguientes:

▲ ADVERTENCIA

Para reducir el riesgo de incendio, sacudidas eléctricas o lesiones:

- Lea y entienda este manual del usuario y todas las etiquetas que están colocadas en la aspiradora para mojado/seco antes de utilizarla.
- Utilice la aspiradora únicamente de la manera que se describe en este manual.
- No deje la aspiradora en marcha mientras esté desatendida. Usted podría no notar señales importantes que indiquen un funcionamiento anormal, tal como pérdida de succión, residuos o líquido que salen por el escape o ruidos anormales del motor. Deje de usar la aspiradora inmediatamente si observa estas señales.
- Utilice esta cabeza motriz solamente con las cubetas **The Home Depot**® No. UPC 0 26703 05555 0, 0 84305 35554 6, 0 62602 00582 1 ó 7 501058 561596.
- Las chispas que se producen en el interior del motor pueden incendiar los vapores inflamables o el polvo. Para reducir el riesgo de incendio o explosión: No use la aspiradora cerca de líquidos,

o gases inflamables o combustibles, o polvos explosivos como gasolina u otros combustibles, líquido encendedor, limpiadores, pinturas a base de aceite, gas natural, polvo de carbón, polvo de magnesio, polvo de granos de cereal, polvo de aluminio o pólvora. No utilice la unidad en una cubeta que contenga residuos de dichos vapores o polvos.

- No recoja con la aspiradora nada que esté ardiendo o humeando, como cigarrillos, fósforos o cenizas calientes.
- No recoja con la aspiradora polvo de panel de yeso, ceniza fría de chimenea u otros polvos finos con un filtro estándar. Estos materiales pueden pasar por el filtro y pueden ser expulsados de vuelta al aire.
- Para reducir el riesgo de inhalar vapores tóxicos, no recoja con la aspiradora materiales tóxicos o peligrosos ni la use cerca de dichos materiales.
- Para reducir el riesgo de descargas eléctricas, no exponga la aspiradora a la lluvia ni deje que entren líquidos en el compartimiento del motor. Guarde la aspiradora en un lugar interior.
- Esta aspiradora mojado/seco no se destina para utilizarse por personas (incluyendo niños) cuyas capacidades físicas, sensoriales o mentales sean diferentes o estén reducidas, o carezcan de experiencia o conocimiento, a menos que dichas personas reciban una supervisión o capacitación para el funcionamiento del aparato por una persona responsable de su seguridad.
- No permita que la aspiradora se utilice como un juguete. Se necesita prestar máxima atención cuando sea utilizada por niños o cerca de éstos.
- No use la aspiradora con un filtro desgarrado o sin tener el filtro instalado, excepto cuando recoja con ella líquidos de la manera que se describe en este manual. Los residuos secos absorbidos por el impulsor podrían dañar el motor o ser expulsados de vuelta al aire.
- No abandone la aspiradora cuando esté enchufada. Desenchúfela del tomacorriente cuando no la esté utilizando y antes de realizar servicio de revisión.
- Apague la aspiradora antes de desenchufarla.

- Para reducir el riesgo de lesiones debidas a un arranque accidental, desenchufe el cordón de energía antes de cambiar o limpiar el filtro.
- No desenchufe la aspiradora tirando del cordón. Para desenchufarla, agarre el enchufe y no el cordón.
- No use la aspiradora con el cordón dañado, el enchufe dañado u otras piezas dañadas. Si la aspiradora no funciona como debe, le faltan piezas, se ha caído, ha sido dañada, se ha dejado a la intemperie o se ha caído al agua, llame a servicio al cliente.
- No tire de la aspiradora usando el cordón ni la lleve por el cordón, ni use el cordón como asa, ni cierre una puerta sobre el cordón, ni tire del cordón alrededor de bordes o esquinas afilados. Mantenga el cordón alejado de las superficies calientes.
- No maneje el enchufe, el interruptor o la aspiradora con las manos mojadas.
- No ponga ningún objeto en las aberturas de ventilación. No recoja nada con la aspiradora cuando cualquiera de las aberturas de ventilación esté bloqueada; mantenga dichas aberturas libres de polvo, pelusa, pelo o cualquier cosa que pueda reducir el flujo de aire.
- Mantenga el pelo, la ropa holgada, los dedos y todas las partes del cuerpo alejados de las aberturas y de las piezas móviles.
- Para reducir el riesgo de caídas, tenga cuidado adicional al limpiar en escaleras.
- Para reducir el riesgo de que la unidad vuelque cuando la transporte por la agarradera tipo asa de la cubeta, asegúrese de que dicha agarradera tipo asa esté acoplada a presión en las ranuras de retención ubicadas en los pestillos.
- Cuando utilice la aspiradora como soplador:
 - Dirija la descarga de aire solamente hacia el área de trabajo.
 - No dirija el aire hacia las personas que estén presentes.
 - Mantenga alejados a los niños durante la operación de soplado.
 - No utilice el soplador para trabajos que no sean soplar suciedad y residuos.
 - No use la aspiradora como rociador.
- Para reducir el riesgo de lesiones en los ojos, use protección ocular de seguridad. La utilización de cualquier aspiradora utilitaria o soplador utilitario puede hacer que se soplen objetos extraños hacia los ojos, lo cual puede causar daños graves en los ojos.
- Para reducir el riesgo de lesiones corporales o daños a la aspiradora, utilice únicamente accesorios compatibles de la marca RIDGID.
- Conecte la aspiradora solamente a un tomacorriente conectado a tierra adecuadamente. Consulte las instrucciones de conexión a tierra.
- Utilice únicamente cordones de extensión que tengan capacidad nominal para uso a la intemperie. Los cordones de extensión que estén en malas condiciones o tengan un tamaño de alambre demasiado pequeño pueden crear peligros de incendio y descargas eléctricas. Para reducir el riesgo de estos peligros, asegúrese de que el cordón esté en buenas condiciones y que el líquido no entre en contacto con la conexión. No utilice un cordón de extensión que tenga conductores con un diámetro menor al calibre 16 (AWG). Para reducir la pérdida de potencia, utilice un cordón de extensión de calibre 14 si la longitud es de 25 a 50 pies (8 a 15 m) y de calibre 12 si la longitud es de 50 pies (15 m) o más.

⚠ PRECAUCIÓN:

- Para reducir el riesgo de daños a la audición, use protectores de oídos cuando utilice la aspiradora durante muchas horas seguidas o cuando la emplee en un área ruidosa.
- Para operaciones que generan polvo, use una máscara antipolvo.
- **Las descargas de estática son comunes** cuando la humedad relativa del aire es baja. Si recoge residuos finos con la aspiradora, se puede depositar carga estática en la manguera o en la aspiradora. El mejor remedio para reducir la frecuencia de las descargas de estática en su casa o cuando use esta aspiradora es añadir humedad al aire con un humidificador.

Siga las siguientes advertencias que aparecen en la caja del motor de la aspiradora.

⚠ ADVERTENCIA:

- **PARA REDUCIR EL RIESGO DE LESIONES, EL USUARIO DEBE LEER EL MANUAL DEL USUARIO.**
- **PARA REDUCIR EL RIESGO DE LESIONES O DESCARGAS ELÉCTRICAS, UTILICE ESTA CABEZA MOTRIZ SOLAMENTE CON LAS CUBETAS THE HOME DEPOT® NO. UPC 0 26703 05555 0, 0 84305 35554 6, 0 62602 00582 1 Ó 7 501058 561596.**
- **No deje la unidad en marcha mientras esté desatendida.**
- **No recoja cenizas calientes, brasas, materiales tóxicos o inflamables u otros materiales peligrosos, ni utilice la unidad alrededor de líquidos o vapores explosivos, inclusive residuos dejados en la cubeta.**

⚠ ADVERTENCIA: Para reducir el riesgo de sacudidas eléctricas, no exponga la aspiradora a la lluvia y almacénela en interiores.

GUARDE ESTE MANUAL

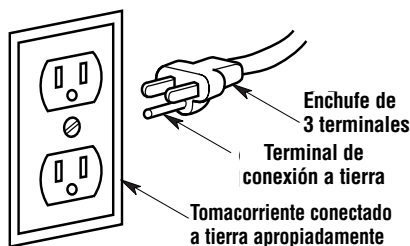
INTRODUCCIÓN

Esta cabeza motriz está diseñada para utilizarse únicamente con una cubeta de plástico de 5 galones EE.UU. (19 litros), de aproximadamente 14-1/2 pulgadas (368 mm) de altura y un diámetro superior de 11-3/4 pulgadas (298 mm), que tenga un asa de tipo semicircular hecha con alambre de acero de calibre 10. Esta cubeta está disponible a través de The Home Depot. Con esta cubeta usted tiene una aspiradora que está diseñada para uso doméstico.

Se puede utilizar para realizar aspiración ligera de materiales mojados o secos y también se puede utilizar como soplador. El diseño liviano permite la utilización para realizar muchas pequeñas tareas de aspiración doméstica. Familiarícese con el producto y lea todo el manual del usuario para conocer la utilización específica de su nueva aspiradora para mojado/seco.

INSTRUCCIONES DE CONEXIÓN A TIERRA

Este electrodoméstico se debe conectar a tierra. En caso de mal funcionamiento o avería, la conexión a tierra proporciona una ruta de resistencia mínima para la corriente eléctrica con el fin de reducir el riesgo de sacudidas eléctricas. Este electrodoméstico está equipado con un cordón que tiene un conductor de conexión a tierra del equipo y un enchufe de conexión a tierra. El enchufe debe introducirse en un tomacorriente apropiado que esté instalado correctamente y conectado a tierra adecuadamente, de acuerdo con todos los códigos y ordenanzas locales.



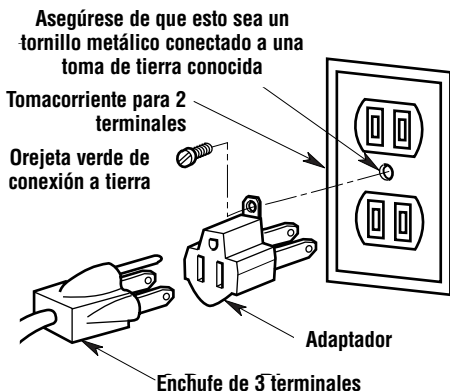
temporal debe utilizarse únicamente hasta que un electricista calificado pueda instalar un tomacorriente conectado a tierra apropiadamente. La orejeta, lengüeta o pieza similar rígida de color verde que sobresale del adaptador se debe conectar a una toma de tierra permanente, como por ejemplo una tapa de caja tomacorriente conectada a tierra apropiadamente. Siempre que se utilice el adaptador, se debe sujetar en la posición correcta con un tornillo metálico.

NOTA: En Canadá, el uso de un adaptador temporal no está permitido por el Código Eléctrico Canadiense.

⚠ ADVERTENCIA:

La conexión incorrecta del conductor de conexión a tierra del equipo puede causar un riesgo de sacudidas eléctricas. Consulte a un electricista calificado o a una persona de servicio competente si tiene dudas sobre si el tomacorriente está conectado a tierra apropiadamente. No modifique el enchufe suministrado con el electrodoméstico. Si el enchufe no cabe en el tomacorriente, haga que un electricista calificado instale un tomacorriente apropiado.

Este electrodoméstico está diseñado para utilizarse en un circuito de 120 V nominales y tiene un enchufe conectado a tierra que tiene un aspecto como el del enchufe que se muestra en la ilustración. Se puede utilizar un adaptador temporal, que tenga un aspecto como el del adaptador que se muestra en la ilustración, para conectar este enchufe a un receptáculo de dos polos, de la manera que se muestra en la ilustración, si no se dispone de un tomacorriente conectado a tierra apropiadamente. El adaptador



FUNCIONAMIENTO

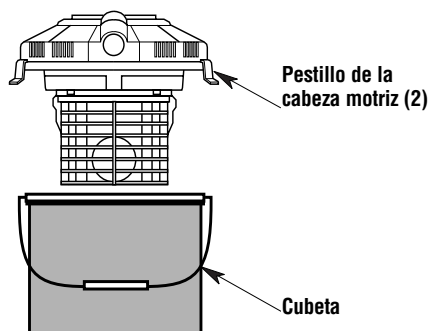
⚠ ADVERTENCIA: Para reducir el riesgo de incendio, explosión o daños a la aspiradora:

- No deje la aspiradora en marcha mientras esté desatendida. Usted podría no notar señales importantes que indiquen un funcionamiento anormal, tal como pérdida de succión, residuos o líquido que salen por el escape o ruidos anormales del motor. Deje de usar la aspiradora inmediatamente si observa estas señales.
- No deje la aspiradora enchufada cuando no se esté utilizando.
- No continúe usando la aspiradora cuando el flotador haya cortado la succión.
- Las chispas generadas dentro del motor pueden incendiar los materiales inflamables suspendidos en el aire. No utilice la aspiradora cerca de líquidos inflamables ni en áreas con gases o vapores inflamables o polvo explosivo/suspendido en el aire. Los líquidos inflamables, gases inflamables y los vapores inflamables incluyen: líquido encendedor, limpiadores tipo solvente, pinturas a base de aceite, gasolina, alcohol y rociadores tipo aerosol. Los polvos explosivos incluyen: carbón, magnesio, aluminio, grano de cereal y pólvora.
- No recoja con la aspiradora polvos explosivos, líquidos inflamables ni cenizas calientes.

⚠ ADVERTENCIA: Para reducir el riesgo de descargas eléctricas o lesiones:

- No exponga la aspiradora a la lluvia ni deje que entre líquido en el compartimiento del motor. Almacene la aspiradora en un lugar interior.
- No maneje el enchufe, el interruptor o la aspiradora con las manos mojadas.
- Desenchufe la aspiradora antes de hacerle servicio de ajustes y reparaciones. Si la aspiradora no está funcionando como debería, le faltan piezas, se ha caído, está dañada, se ha dejado a la intemperie o se ha caído al agua, inmediatamente llame a servicio al cliente al 1-800-469-4663.
- Cuando utilice un cordón de extensión, utilice únicamente cordones con capacidad nominal para uso a la intemperie que estén en buenas condiciones. No deje que la conexión entre en contacto con líquido.

Alinee los pestillos de la cabeza motriz con la agarradera tipo asa de la cubeta. Presione firmemente hacia abajo sobre cada uno de los pestillos para acoplarlos con la cubeta.

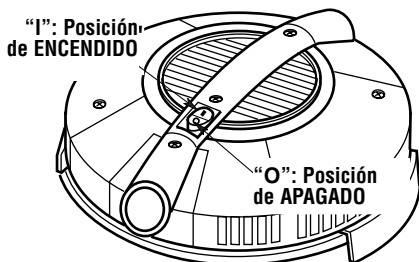


Después de enchufar el cordón de energía en el tomacorriente de la pared, ENCIENDA la unidad empujando el interruptor desde la posición "0" hasta la posición "I". Los símbolos utilizados en el accionador del interruptor son los símbolos internacionales de "encendido y apagado". "0" es el símbolo de "APAGADO" y "I" es el símbolo de "ENCENDIDO".

○ = APAGADO | = ENCENDIDO

Para retirar la cabeza motriz de la cubeta, retire la manguera de la cabeza motriz y gire la agarradera tipo asa de la cubeta alejándola del cordón de energía. Separe ligeramente ambos pestillos alejándolos de la cubeta y levante la cabeza motriz hasta retirarla.

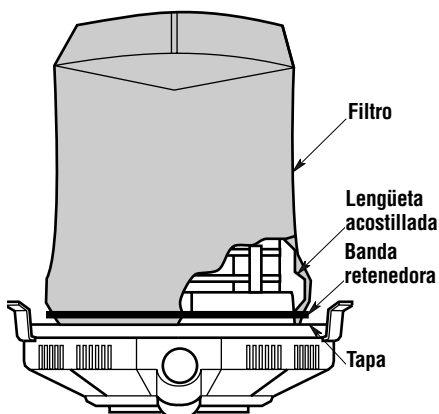
Para reducir el riesgo de que la unidad vuelque cuando la transporte por la agarradera tipo asa, alinee los pestillos de la cabeza motriz Bucket Head® encima de los puntos de sujeción del asa y asegúrese de que el asa esté acoplada a presión en las ranuras de retención ubicadas en los pestillos.



FUNCIONAMIENTO (continuación)

Recogida de materiales secos con la aspiradora

1. Es muy importante ensamblar el filtro en la jaula sin permitir ningún posible escape o desgarramiento. Cualquier escape permitirá que los materiales que se estén recogiendo sean sopladados y salgan por el orificio de soplado de vuelta al entorno circundante. Consulte "Reemplazo del filtro" en la sección Mantenimiento para obtener detalles completos.

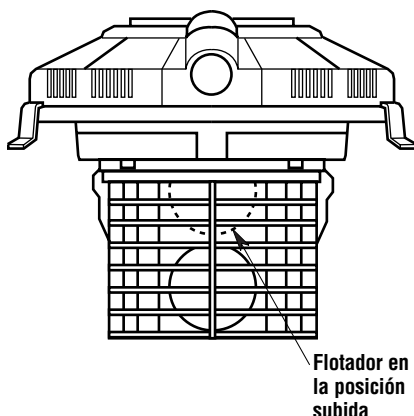


2. Para mantener el máximo rendimiento de la aspiradora cuando recoja residuos pequeños, como por ejemplo aserrín, podría ser útil vaciar el tambor para polvo y limpiar o reemplazar el filtro a intervalos más frecuentes.

NOTA: El filtro debería estar seco para recoger material seco. Si usa la aspiradora para recoger residuos secos cuando el filtro está mojado, el filtro se taponará rápidamente y será muy difícil limpiarlo. En caso de que el filtro se moje, reemplácelo antes de continuar la recogida de material seco.

Recogida de líquidos con la aspiradora

1. Se recomienda retirar el filtro para recoger residuos mojados.
2. Esta aspiradora para mojado/seco está equipada con un mecanismo de flotador que subirá automáticamente para cortar la circulación de aire cuando el líquido contenido en el tambor alcance un nivel predeterminado. Cuando esto ocurra, apague la aspiradora, desenchufe el cordón de energía y vacíe la cubeta. Sabrá que el flotador ha cortado la circulación de aire porque la succión cesará y el ruido del motor alcanzará una frecuencia más alta debido al aumento de la velocidad del motor. La capacidad de líquido puede variar con la velocidad de recogida.
3. Asegúrese de reemplazar el filtro después de recoger material mojado. No recoja nunca residuos secos sin tener el filtro instalado adecuadamente.



Dispositivo de soplado

Esta aspiradora tiene capacidad para soplar aserrín y otros residuos.

Inserte un extremo de la manguera en el orificio de soplado antes de comenzar a utilizar la unidad.

⚠ ADVERTENCIA: Use siempre gafas de seguridad que cumplan la norma ANSI Z87.1 (o en Canadá, con la norma CSA Z94.3) cuando se use la aspiradora como soplador. Para evitar lesiones a las personas que se encuentren presentes, manténgalas alejadas de los residuos soplados.

⚠ PRECAUCIÓN :

- Use una máscara antipolvo si el soplado genera polvo que se pudiera inhalar.
- Para reducir el riesgo de daños a la audición, use protectores de oídos al utilizar la aspiradora/soplador durante varias horas seguidas o al utilizarla en un área ruidosa.

MANTENIMIENTO

⚠ ADVERTENCIA: Para reducir el riesgo de lesiones, desenchufe la cabeza motriz antes de hacer servicio de ajustes y reparaciones de las piezas eléctricas de la cabeza motriz de la aspiradora para mojado/seco.

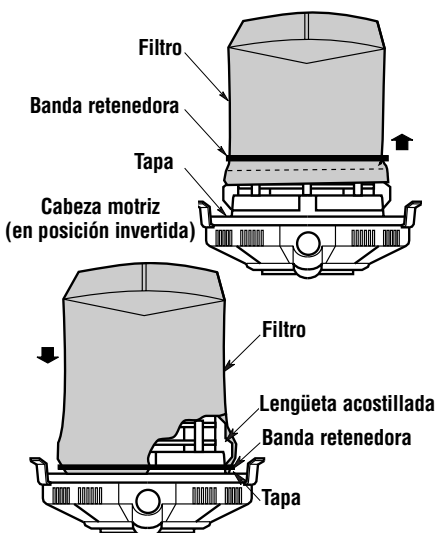
Filtro

El filtro debe ser reemplazado frecuentemente para mantener un rendimiento máximo de la aspiradora.

No desgarre el filtro durante su remoción o instalación si tiene la intención de reutilizarlo.

Reemplazo del filtro

1. Retire cuidadosamente la banda retenedora elástica que sujeta el filtro en su sitio.
2. Quite la bolsa del filtro de la jaula del filtro.
3. Limpie el área de la tapa para que la banda retenedora selle la bolsa contra la tapa y evite que las partículas pequeñas pasen rodeando la bolsa del filtro.
4. Coloque el filtro de repuesto sobre la jaula del filtro hasta que el extremo abierto toque la parte inferior de la tapa.
5. Extienda la banda retenedora con las dos manos para abrirla y deslícela cuidadosamente hacia abajo sobre el filtro/jaula, hasta la parte inferior cerca de la tapa. Suelte la banda de manera que se ajuste sobre las lengüetas ubicadas en la base de la jaula.
6. Asegúrese de que la banda retenedora esté posicionada sobre la bolsa del filtro,



cubriendo la línea impresa negra, y que esté colocada sobre las lengüetas acostilladas ubicadas en la jaula del filtro.

IMPORTANTE: Para evitar daños a la rueda del soplador y al motor, reinstale siempre el filtro antes de utilizar la aspiradora para recoger material seco.

⚠ ADVERTENCIA: No utilice la aspiradora si se le han quitado la jaula del filtro y el flotador. El flotador evita que entre agua en el impulsor y dañe el motor. La jaula impide que los dedos toquen el impulsor cuando éste está en movimiento.

MANTENIMIENTO (continuación)

Limpeza

Para mantener el mejor aspecto posible de la aspiradora para mojado/seco, limpie su exterior con un paño humedecido con agua templada y un jabón suave.

Almacenamiento

Antes de almacenar la cabeza motriz, el cordón de energía se debe enrollar alrededor de la unidad para evitar que se dañe.

El cordón de energía no se puede reemplazar. Si el cordón de energía se daña, la aspiradora debe ser destruida y reemplazada.

LOCALIZACIÓN Y RESOLUCIÓN DE PROBLEMAS

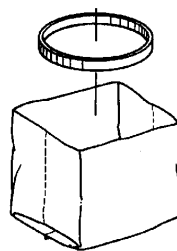
Problema	Causa	Remedio
La aspiradora no recoge la suciedad.	<ol style="list-style-type: none">1. Filtro taponado2. Manguera taponada3. Fuga de aire	<ol style="list-style-type: none">1. Limpie o reemplace el filtro (siga las instrucciones de la página 16)2. Quite la manguera y retire los residuos.3. Asegúrese de que la cabeza motriz esté firmemente sujeta a la cubeta y que la cubeta sea de uno de los tipos designados.
La aspiradora no funciona.	<ol style="list-style-type: none">1. No hay electricidad	<ol style="list-style-type: none">1. Asegúrese de que el toma-corriente tenga corriente. (Es posible que sea necesario ponerse en contacto con un electricista calificado.)

Clasificaciones eléctricas: BH01000 120 V, 4 A, 60 Hz

⚠ ADVERTENCIA: Si cualquiera de las piezas del ensamblaje de la cabeza motriz se desprende o rompe, dejando al descubierto el motor o cualquier otro componente eléctrico, se debe interrumpir inmediatamente la operación para reducir el riesgo de lesiones personales o daños adicionales a la aspiradora. Esta aspiradora no tiene piezas reparables ni reemplazables por el usuario, excepto el filtro.

FILTRO DE REPUESTO

Los filtros de repuesto están disponibles en el establecimiento donde usted compró la aspiradora. El número de existencias es VF2000.



Producto: Modelo BH0100
Garantía limitada de 90 días

Emerson Tool Company garantiza, solamente al comprador original, y sujeto a las exclusiones que se describen a continuación, que este Producto estará libre de defectos de material y de fabricación durante 90 días a partir de la fecha de compra original (el "Período de Garantía").

Lo que no está cubierto

Esta garantía limitada no se extiende a, y excluye expresamente, las pérdidas o daños debidos al uso comercial del producto, las fallas debido a uso incorrecto, accidente, abuso, descuido, negligencia, reparación no autorizada (que no sea por Emerson Tool Company) y/o desgaste por el uso normal.

Lo que haremos para corregir los problemas

Si un reclamo realizado durante el Período de Garantía está cubierto bajo esta garantía limitada, Emerson Tool Company proporcionará, a opción exclusiva, uno de los siguientes remedios como **REMEDIO ÚNICO Y EXCLUSIVO PARA DICHO PROBLEMA**: (a) reparar, corregir o reemplazar la parte defectuosa del Producto y devolverla sin cargo alguno, o (b) proporcionar un reembolso igual al precio de compra pagado por el Producto.

No se aplica ninguna otra garantía expresa

Esta garantía limitada es la garantía única y exclusiva provista a los compradores originales del Producto. Ningún empleado, agente, distribuidor u otra persona está autorizado para alterar esta garantía limitada o dar cualquier otra garantía en nombre de Emerson Tool Company.

Cómo notificamos

Para obtener los beneficios de esta garantía limitada, antes de que la garantía limitada se venza, sírvase llamar a Servicio al Cliente al 1-866-994-8759 desde los EE.UU. o Canadá, o al 01-888-237-0981 desde México. Si la política de devolución normal del minorista ha vencido, el Producto debe ser enviado, con una copia de su recibo de venta original, a Emerson Tool Company a través de envío prepagado. Cuando se reciba el Producto, Emerson Tool Company determinará, a su única y absoluta discreción, si el reclamo está cubierto o sujeto a las limitaciones o exclusiones descritas en esta garantía limitada. Las reparaciones o modificaciones realizadas al Producto por cualquier parte que no sea Emerson Tool Company o su representante o representantes autorizados anularán esta garantía limitada.

Limitación de responsabilidad

EN LA MEDIDA PERMITIDA POR LA LEY, EMERSON TOOL COMPANY NO SERÁ RESPONSABLE EN NINGÚN CASO POR DAÑOS INCIDENTALES, ESPECIALES, INDIRECTOS O EMERGENTES, INCLUSIVE CUALQUIER PÉRDIDA ECONÓMICA, TANTO SI RESULTA DE NO FUNCIONAMIENTO, DEMORA EN EL FUNCIONAMIENTO, USO, USO INCORRECTO O INCAPACIDAD PARA UTILIZAR EL PRODUCTO O NEGLIGENCIA DE EMERSON TOOL COMPANY, NI SERÁ RESPONSABLE POR CUALQUIER DAÑO, INDEPENDIENTEMENTE DE LA FORMA DEL RECLAMO O LA CAUSA DE ACCIÓN, EN EXCESO DEL PRECIO PAGADO POR EL COMPRADOR ORIGINAL POR EL PRODUCTO. La expresión "daños emergentes" incluirá, pero no estará limitada a, pérdida de utilidades anticipadas, interrupción del negocio, pérdida de uso o ingresos, costo de capital o pérdida o daños a bienes o equipos.

Algunos estados no permiten la exclusión o limitación de los daños incidentales o emergentes, por lo que es posible que la limitación que antecede no tenga aplicación en el caso de usted.

Esta garantía limitada le confiere a usted derechos legales específicos y es posible que usted tenga también otros derechos que varían de un estado a otro, una provincia a otra o un país a otro.

No. de existencias BH0100

No. de modelo BH01000

Número de serie _____

El código de fecha del producto se puede encontrar en el pestillo del tambor y el número de modelo se puede encontrar en el lado de la cabeza motriz. Debe anotar tanto el número de modelo como el de serie en un lugar seguro para uso futuro.

¿PREGUNTAS O COMENTARIOS? LLAME

En los EE.UU. o Canadá: 1-866-994-8759

En México: 001-888-237-8981

Por favor, tenga a mano su número de modelo y número de serie cuando llame.



© 2016 The Emerson Tool Co., All Rights Reserved.

No. de pieza SP6726

No. de formulario SP6726-4

Impreso en México 03/16

BUCKET HEAD™

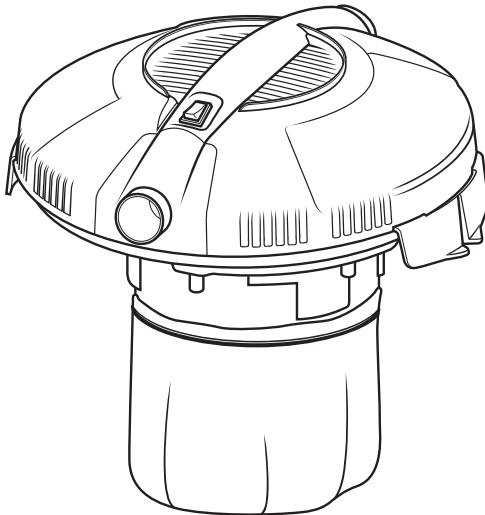
BLOC-MOTEUR D'ASPIRATEUR DE LIQUIDES ET DE POUSSIÈRES

MODE D'EMPLOI

Bloc-moteur d'aspirateur de liquides et de poussières pour les seaux à usages multiples de Home Depot

Numéro de modèle :

BH01000



UTILISER LE FILTRE DE RECHANGE VF2000

QUESTIONS OU COMMENTAIRES ? TÉLÉPHONER

Aux États-Unis ou au Canada : 1-866-994-8759

Au Mexique : 001-888-237-8981

▲ AVERTISSEMENT :

Pour réduire le risque de blessure, l'utilisateur doit lire et comprendre le mode d'emploi avant d'utiliser ce produit.

CONSERVER CE MANUEL POUR RÉFÉRENCE FUTURE

TABLE DES MATIÈRES

Sujet	Page	Sujet	Page
Instructions importantes relatives à la sécurité	20	Entretien	25
Introduction	22	Filtre	25
Instructions relatives à la mise à la terre	22	Remplacement du filtre	25
Fonctionnement	23	Nettoyage	26
Aspiration de matériaux secs	24	Rangement	26
Aspiration de liquides	24	Localisation de la cause des problèmes	26
Fonction de soufflante	25	Filtres de rechange	26

INSTRUCTIONS IMPORTANTES RELATIVES À LA SÉCURITÉ

La sécurité est une combinaison de faire preuve de bon sens, rester vigilant et savoir comment votre aspirateur de liquides et de poussières (l'« aspirateur ») fonctionne.

Termes de signalisation de questions de sécurité

▲ DANGER : indique une situation dangereuse imminente qui, si elle n'est pas évitée, **causera** la mort ou une blessure grave.

▲ AVERTISSEMENT : indique une situation pouvant être dangereuse qui, si elle n'est pas évitée, **risque de causer** la mort ou une blessure grave.

▲ MISE EN GARDE : indique une situation pouvant être dangereuse qui, si elle n'est pas évitée, **pourrait causer** une blessure légère ou modérée.

Prenez toujours des précautions élémentaires, notamment les précautions suivantes, lorsque vous utilisez votre aspirateur de liquides et de poussières :

▲ AVERTISSEMENT – Pour réduire le risque d'incendie, de choc électrique ou de blessure :

- Lisez et comprenez ce manuel et toutes les étiquettes placées sur l'aspirateur avant de mettre celui-ci en marche.
- N'utilisez l'aspirateur que comme cela est décrit dans ce mode d'emploi.
- Ne laissez pas en marche pendant que vous êtes absent – vous vous risqueriez de manquer des signes importants indiquant un fonctionnement anormal, comme une perte de puissance d'aspiration, la sortie de débris ou de liquides par la bouche de soufflage d'air ou des bruits anormaux en provenance du moteur. Cessez immédiatement d'utiliser l'aspirateur si vous constatez de tels signes.
- N'utilisez ce bloc-moteur qu'avec des seaux **The Home Depot**® UPC N° 0 26703 05555 0, 0 84305 35554 6, 0 62602 00582 1 ou 7 501058 561596.
- Des étincelles à l'intérieur du moteur risquent de mettre feu à des vapeurs ou poussières inflammables. Pour réduire le risque d'incendie ou d'explosion : n'utilisez pas à proximité de gaz ou de

liquides inflammables ou combustibles, ou de poussières explosives, comme de l'essence automobile ou d'autres fiouls, de l'essence à briquet, des produits de nettoyage, de la peinture à l'huile, du gaz naturel, de la poussière de charbon, de la poussière de magnésium, de la poussière de céréales, de la poussière d'aluminium ou de la poudre noir. N'utilisez pas sur un seau qui contient des résidus de telles vapeurs ou poussières.

- N'aspirez jamais de quelconques matières en train de brûler ou des matières fumigènes, telles que des cigarettes, des allumettes ou des cendres chaudes.
- N'aspirez jamais de poussières de plaques de plâtre, de suie ou de cendres de cheminée froides ou de poussières très fines qui risqueraient d'être projetées à nouveau dans l'air ambiant.
- Pour réduire le risque d'inhalation de vapeurs toxiques, n'aspirez pas de matériaux toxiques ou dangereux, et n'utilisez pas à proximité de tels matériaux.
- Pour réduire le risque de choc électrique, n'exposez pas à la pluie et empêchez l'entrée de liquides dans le compartiment du moteur. Rangez à l'intérieur.
- Cet aspirateur de liquides et de poussières n'est pas conçu pour emploi par des personnes (y compris des enfants) ayant des capacités physiques, sensorielles ou mentales réduites, ou qui n'ont pas l'expérience ou les connaissances nécessaires, sauf en cas de supervision ou d'instructions sur l'utilisation de cet appareil par une personne responsable de leur sécurité.
- Ne laissez pas les enfants se servir de l'aspirateur comme d'un jouet. Il faut surveiller de très près quand il est utilisé par des enfants ou à proximité d'enfants.
- N'utilisez pas avec un filtre déchiré ou sans avoir installé de filtre, sauf quand vous aspirez des liquides, comme cela est décrit dans ce mode d'emploi. Des débris secs capturés par la roue risquent d'endommager le moteur ou d'être expulsés à nouveau dans l'air ambiant.
- Ne laissez pas l'aspirateur sans surveillance quand il est branché dans une prise de courant. Débranchez-le de la prise quand il n'est pas utilisé et avant toute opération de maintenance.
- Éteignez l'aspirateur avant de le débrancher.

- Pour réduire le risque de blessure pouvant être causée par une mise en marche accidentelle, débranchez le cordon d'alimentation avant de changer le filtre ou de le nettoyer.
- Ne débranchez pas en tirant sur le cordon. Pour débrancher, saisissez la fiche – pas le cordon.
- N'utilisez pas l'aspirateur avec une fiche, un cordon ou un autre composant endommagé. Si votre aspirateur ne fonctionne pas comme il faut, s'il manque des pièces, s'il quelqu'un l'a laissé tomber, s'il est endommagé, s'il a été laissé à l'extérieur ou s'il est tombé dans de l'eau, téléphonez au service d'assistance à la clientèle.
- Ne tirez pas l'aspirateur et ne le portez pas par son cordon, n'utilisez pas le cordon pour servir de poignée, ne fermez pas une porte sur le cordon et ne laissez pas le cordon tendu passer sur des bords ou des coins tranchants. Maintenez le cordon à distance des surfaces chauffées.
- Ne touchez pas la fiche, l'interrupteur ou l'aspirateur avec des mains mouillées.
- Ne mettez aucun objet dans les orifices de ventilation. N'aspirez pas quand de quelconques orifices de ventilation sont obstrués ; assurez-vous que ces orifices ne sont pas bloqués par de la poussière, de la peluche, des cheveux ou de quelconques objets pouvant réduire la circulation de l'air.
- Gardez les cheveux, les vêtements flottants, les doigts et toutes les parties du corps à distance des orifices et des pièces mobiles.
- Pour réduire le risque de chute, faites très attention lorsque vous utilisez l'aspirateur dans des escaliers.
- Pour réduire le risque de basculement lorsque vous transportez l'ensemble par la poignée/l'étrier, assurez-vous que l'étrier est happé dans les rainures de retenue sur les verrous.
- En cas d'utilisation de l'aspirateur comme soufflante :
 - Ne dirigez la décharge d'air que vers la zone de travail.
 - Ne dirigez pas l'air vers des personnes présentes à proximité.
 - Gardez les enfants à distance lors du fonctionnement de la soufflante.
 - N'utilisez la soufflante que pour souffler des saletés et des débris.
 - N'utilisez pas en guise de pulvérisateur.
- Pour réduire le risque de blessure pour les yeux, portez des lunettes de sécurité. L'utilisation de toute soufflante ou de tout aspirateur utilitaire peut toujours causer la projection de corps étrangers dans les yeux, ce qui risque d'entraîner des blessures graves aux yeux.
- Pour réduire le risque de blessure corporelle ou d'endommagement de l'aspirateur, n'utilisez que des accessoires compatibles avec la marque RIDGID.
- Raccorder à une prise de courant correctement mise à la terre. Voir instructions relatives à la mise à la terre.
- Utilisez seulement des cordons de rallonge qui sont conçus pour emploi à l'extérieur. Les cordons de rallonge en mauvais état ou trop petits en termes de calibre des fils peuvent poser des risques d'incendie et de choc électrique. Pour réduire le risque de tels dangers, inspectez les cordons pour vous assurer qu'ils sont en bon état et que le liquide n'entre pas en contact avec le raccordement. N'utilisez pas de cordons de rallonge dont les conducteurs ont un calibre inférieur à 16 AWG. Pour réduire la perte de puissance, utilisez un cordon de rallonge de calibre 14 pour des longueurs comprises entre 25 et 50 pi (de 8 à 15 m) ou de calibre 12 pour des longueurs supérieures à 50 pi (15 m).

▲ MISE EN GARDE :

- Pour réduire le risque de perte auditive, portez des protecteurs d'oreilles lorsque vous vous servez de l'aspirateur pendant plusieurs heures ou quand vous l'utilisez dans un endroit bruyant.
- Portez un masque antipoussières en cas d'utilisation dans un environnement poussiéreux.
- **Les décharges statiques sont fréquentes** dans les endroits secs ou lorsque l'humidité relative de l'air ambiant est faible. L'aspiration de débris fins avec votre aspirateur peut déposer une charge statique sur le tuyau ou sur l'aspirateur. La meilleure chose à faire pour réduire la fréquence des décharges statiques chez vous ou lorsque vous utilisez cet aspirateur consiste à ajouter de l'humidité dans l'air avec un humidificateur.

Observez les avertissements suivants qui figurent sur le carter du moteur de votre aspirateur :

▲ AVERTISSEMENT :

- **POUR RÉDUIRE LE RISQUE DE BLESSURE, L'UTILISATEUR DOIT LIRE LE MODE D'EMPLOI.**
- **POUR RÉDUIRE LE RISQUE DE CHOC ÉLECTRIQUE, UTILISEZ SEULEMENT CE BLOC-MOTEUR AVEC LES SEAUX THE HOME DEPOT®, UPC N° 0 26703 05555 0, 0 84305 35554 6, 0 62602 00582 1 ou 7 501058 561596.**
- Ne laissez pas en marche sans surveillance.
- Ne ramassez pas de cendres chaudes, de charbon, de matériaux toxiques ou inflammables ou d'autres matériaux dangereux, et ne l'utilisez pas à proximité de vapeurs ou de liquides explosifs, y compris des résidus laissés dans le seau.

▲ AVERTISSEMENT: pour réduire le risque de choc électrique – n'exposez pas à la pluie. Rangez à l'intérieur.

CONSERVER CE MANUEL

INTRODUCTION

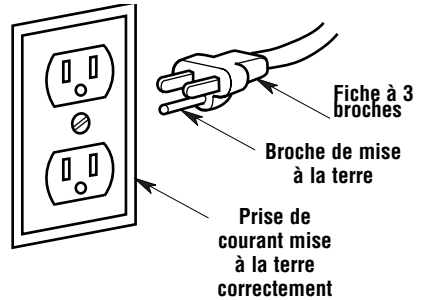
Ce bloc-moteur ne doit être utilisé qu'avec un seau en plastique de 19 litres (5 gallons US) d'environ 14-1/2 po (368 mm) de haut, avec un diamètre supérieur de 11-3/4 po (368 mm) et une poignée en fil d'acier de calibre 10 de type « balle ». Ce seau est en vente à The Home Depot. Avec ce seau, vous avez un aspirateur qui est conçu pour un emploi

résidentiel.

Il peut être utilisé pour aspirer de petites quantités de résidus ou de petits volumes de liquides, et il peut aussi être employé comme soufflante. Sa conception légère permet de l'utiliser pour de nombreux petits travaux d'aspiration à la maison. Familiarisez-vous avec ce produit et lisez-en tout le mode d'emploi pour apprendre des usages spécifiques de votre nouvel aspirateur de

INSTRUCTIONS RELATIVES À LA MISE À LA TERRE

Cet appareil doit être mis à la terre. En cas de problème électrique, la mise à la terre fournit un chemin de moindre résistance pour le courant électrique afin de réduire le risque de choc électrique. Cet appareil est muni d'un cordon ayant un conducteur de mise à la terre de l'équipement et d'une fiche de mise à la terre. La fiche doit être insérée dans une prise appropriée qui est installée correctement et mise à la terre conformément à tous les codes et règlements municipaux.



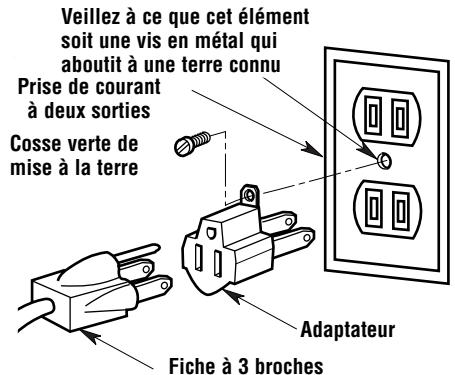
⚠ AVERTISSEMENT -

un raccordement inadéquat du conducteur de mise à la terre de l'équipement risque de produire un risque de choc électrique. Consultez un électricien professionnel ou un réparateur compétent en la matière si vous avez le moindre doute quant à la mise à la terre de la prise de courant. Ne modifiez pas la fiche fournie avec cet appareil – si elle ne tient pas dans la prise de courant, demandez à un électricien professionnel d'installer une prise de courant avec mise à la terre conforme aux stipulations du code.

Cet appareil est conçu en vue d'un emploi sur un circuit de 120 volts de valeur nominale, et il a une fiche de mise à la terre qui ressemble à la fiche figurant sur l'illustration. Un adaptateur temporaire ressemblant à celui qui est illustré peut être utilisé pour raccorder cette fiche à une prise à deux broches, telle que celle qui est illustrée. S'il n'existe pas de prise de courant correctement mise à la terre, l'adaptateur temporaire peut être utilisé, mais seulement jusqu'à ce qu'une prise de courant correctement mise à la terre puisse être installée par un

électricien professionnel. La cosse, la saillie ou tout autre élément de couleur verte sortant de l'adaptateur doit être raccordé à une terre permanente telle qu'un cache de coffret de prise de courant correctement mise à la terre. Quand il est utilisé, l'adaptateur doit être maintenu en place par une vis en métal.

REMARQUE : au Canada, le Code national d'électricité interdit l'utilisation d'un adaptateur temporaire.



FONCTIONNEMENT

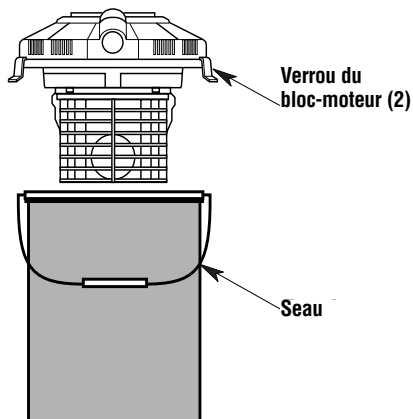
▲ AVERTISSEMENT : pour réduire le risque d'incendie, d'explosion ou d'endommagement de l'aspirateur :

- Ne laissez pas en marche pendant que vous êtes absent – vous vous risqueriez de manquer des signes importants indiquant un fonctionnement anormal, comme une perte de puissance d'aspiration, la sortie de débris ou de liquides par la bouche de soufflage d'air ou des bruits anormaux en provenance du moteur. Cessez immédiatement d'utiliser l'aspirateur si vous constatez de tels signes.
- Ne laissez pas l'aspirateur branché lorsque vous ne l'utilisez pas.
- Ne continuez pas à utiliser l'aspirateur lorsque le flotteur a coupé l'aspiration.
- Les étincelles à l'intérieur du moteur risqueraient de mettre feu à des matières inflammables en suspension dans l'air. Ne pas utiliser l'aspirateur à proximité de liquides inflammables ou à des endroits où il y a des gaz ou des vapeurs inflammables, ou de la poussière explosive/dans l'air. Les liquides, gaz et vapeurs inflammables comprennent : essence à briquet, produits de nettoyage du type solvant, peinture à base d'huile, essence, alcool et aérosols. Types de poussières explosives : charbon, magnésium, aluminium, céréales et poudre noire.
- N'aspirez pas de poussières explosives, de liquides inflammables ou de cendres chaudes.

▲ AVERTISSEMENT : pour réduire le risque de choc électrique ou de blessure :

- N'exposez pas à la pluie, et ne laissez pas de liquides pénétrer dans le compartiment du moteur. Rangez à l'intérieur.
- Ne touchez pas la fiche de branchement, l'interrupteur ou l'aspirateur si vous avez les mains mouillées.
- Débrancher l'aspirateur avant d'effectuer une quelconque opération de maintenance. Si votre aspirateur ne fonctionne pas comme il devrait, si des pièces sont manquantes, si vous l'avez laissé tomber, s'il est endommagé, s'il a été laissé à l'extérieur ou s'il a été immergé dans de l'eau, téléphonez immédiatement au service clientèle au 1-800-469-4663.
- Lorsque vous utilisez un cordon de rallonge, n'utilisez qu'un cordon prévu pour emploi à l'extérieur et en bon état. Ne laissez pas la connexion entrer en contact avec des liquides.

Alignez les verrous du bloc-moteur avec la poignée/l'étrier du seau. Appuyez fermement sur chaque verrou pour engager les verrous avec le seau.

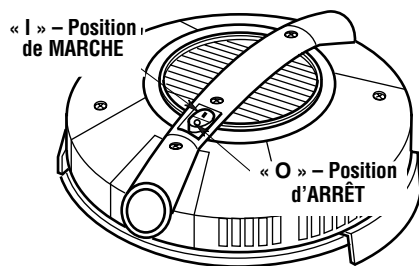


Après avoir branché le cordon d'alimentation dans la prise de courant murale, mettez l'appareil en marche en appuyant sur l'interrupteur pour le faire passer de la position « 0 » à la position « 1 ». Les deux symboles internationaux qui figurent sur l'interrupteur indiquent, respectivement, la position de marche et la position d'arrêt de votre aspirateur.

○ = ARRÊT | = MARCHE

Pour retirer le bloc-moteur du seau, retirez le tuyau flexible du bloc-moteur et faites tourner la poignée/l'étrier du seau dans le sens opposé au cordon d'alimentation. Écartez légèrement les deux verrous dans le sens opposé à celui du seau et soulevez le bloc-moteur pour le détacher du seau.

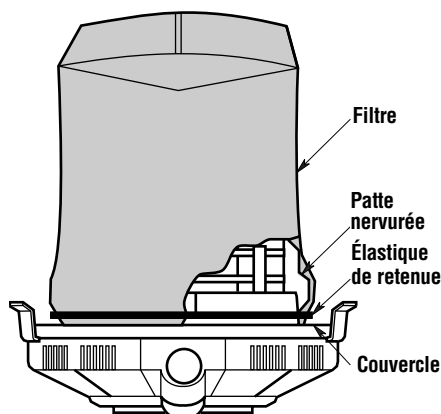
Pour réduire le risque de basculement lorsque vous transportez l'ensemble par la poignée/l'étrier, alignez les verrous Bucket Head® au-dessus des points de fixation de l'étrier, et assurez-vous que l'étrier est happé dans les rainures de retenue sur les verrous.



FONCTIONNEMENT (suite)

Aspiration de matériaux secs

1. Il est très important d'assembler le filtre sur la cage sans permettre la moindre fuite ou causer la moindre déchirure. En cas de fuite, les matières ramassées seront expulsées par l'orifice de soufflerie et rejetées dans l'environnement ambiant. Voir la rubrique « Remplacement du filtre » dans la section consacrée à la maintenance pour plus de détails à ce sujet.

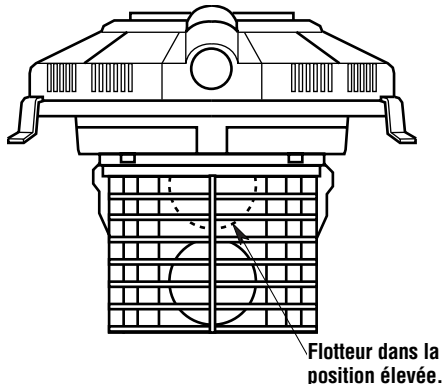


2. Lorsque vous utilisez votre aspirateur pour aspirer des poussières fines, vous devrez vider le tambour à poussière ou remplacer le filtre plus fréquemment afin de maintenir la performance maximale de l'aspirateur.

REMARQUE : le filtre doit être sec pour aspirer des déchets secs. Si vous vous servez de l'aspirateur en vue de ramasser de la poussière alors que le filtre est humide, le filtre se bouchera très vite et il sera ensuite très difficile à nettoyer. Si le filtre est humide, remplacez-le avant de continuer à ramasser des matériaux secs.

Aspiration de liquides

1. Il est recommandé de retirer le filtre avant d'aspirer des déchets humides.
2. Votre aspirateur de liquides et de poussières est muni d'un flotteur qui s'élève automatiquement afin de couper la circulation de l'air lorsque le liquide aspiré atteint un niveau prédéterminé dans le tambour. Lorsque ceci se produit, mettez l'aspirateur hors tension, débranchez le cordon d'alimentation et videz le seau. Vous vous rendrez compte que le flotteur a fermé la circulation de l'air parce que le bruit de succion s'interrompt et parce que le bruit du moteur devient alors plus aigu en raison de l'accélération de sa vitesse. La capacité d'aspiration de liquide de l'aspirateur peut varier en fonction de la vitesse de ramassage.
3. N'oubliez pas de changer le filtre après un ramassage de débris humides. Ne ramassez jamais de débris secs si le filtre n'est pas installé correctement.



Fonction de soufflante

Votre aspirateur a la capacité de souffler la sciure et les autres débris.

Insérez un bout du tuyau flexible dans l'orifice de soufflerie et commencez à vous servir de l'aspirateur.

⚠ AVERTISSEMENT : il faut toujours porter des lunettes de protection respectant la norme ANSI Z87.1 (ou, au Canada, la norme CSA Z94.3) avant d'utiliser la soufflerie de façon autonome. Pour éviter que les visiteurs ne soient blessés, demandez-leur de se tenir hors de la trajectoire des débris soufflés.

⚠ MISE EN GARDE :

- Porter un masque anti-poussière si la soufflerie produit de la poussière risquant d'être inhalée.
- Pour réduire le risque de dommage auditif, porter des protecteurs antibruit lorsque l'aspirateur est utilisé pendant très longtemps ou lorsqu'il est employé dans un endroit très bruyant.

ENTRETIEN

⚠ AVERTISSEMENT : pour réduire le risque de blessure, débranchez le bloc-moteur avant toute opération d'entretien des composants électriques du bloc-moteur de l'aspirateur de liquides et de poussières.

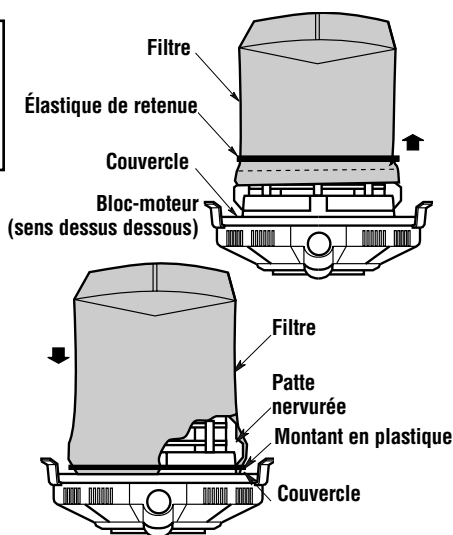
Filtere

Votre filtre doit être remplacé fréquemment afin de maintenir le niveau de performance maximum de l'aspirateur.

Faites attention de ne pas déchirer le filtre pendant son retrait ou son installation si vous avez l'intention de le réutiliser.

Remplacement du filtre

1. Retirez avec précaution l'élastique de retenue qui maintient le filtre en place.
2. Retirez le sac filtrant de la cage du filtre.
3. Nettoyez la région du couvercle de façon que la bande de retenue scelle le sac contre le couvercle empêche les petites particules de contourner le sac-filtre.
4. Placer le filtre de recharge sur la cage à filtre jusqu'à ce que l'extrémité ouverte touche le fond du couvercle.
5. Écartez l'élastique de retenue avec les deux mains et faites-le coulisser au-dessus du filtre et de sa cage, vers le bas jusqu'à proximité du couvercle. Relâchez l'élastique pour qu'il s'adapte sur les pattes à la base de la cage.



6. Assurez-vous que l'élastique de retenue est positionné sur le sac de filtre recouvrant la ligne imprimée noire et qu'il est placé au-dessus des pattes nervurées sur la cage du filtre.

IMPORTANT : pour éviter d'endommager la roue de la soufflerie et le moteur, remettez toujours le filtre en place avant d'aspirer des matériaux solides.

⚠ AVERTISSEMENT : n'utilisez pas l'aspirateur sans la cage du filtre et le flotteur à leur place. Le flotteur empêche l'eau de pénétrer dans l'hélice et d'endommager le moteur. La cage empêchera les doigts d'entrer en contact avec l'hélice en train de tourner.

ENTRETIEN (suite)

Nettoyage

Pour conserver l'esthétique optimale de votre aspirateur de poussières et de liquides, nettoyez la surface extérieure de l'aspirateur à l'aide d'un chiffon imbibé d'eau tiède savonneuse.

Rangement

Avant de ranger votre bloc-moteur, il faut enrouler le cordon autour de l'appareil afin de le protéger contre les risques d'endommagement.

Le cordon d'alimentation ne peut pas être remplacé. Si le cordon est endommagé, il faut détruire l'aspirateur et le remplacer.

LOCALISATION DE LA CAUSE DES PROBLÈMES

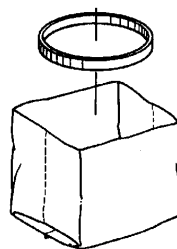
Problème	Cause	Solution
L'aspirateur n'aspire pas	<ol style="list-style-type: none">1. Filtre bouché2. Tuyau obturé3. Fuite d'air	<ol style="list-style-type: none">1. Nettoyez le filtre ou remplacez-le (en suivant les instructions de la page 25)2. Retirez le tuyau et enlevez les débris.3. Assurez-vous que le bloc-moteur est solidement attaché au seau et que le seau est de l'un des types désignés.
L'aspirateur ne fonctionne pas.	<ol style="list-style-type: none">1. Pas d'électricité	<ol style="list-style-type: none">1. Veillez à ce que la prise de courant soit sous tension (vous devrez peut-être faire appel à un électricien qualifié).

Caractéristiques électriques nominales : BH01000 120 V, 4 A, 60 Hz

⚠ AVERTISSEMENT : au cas où les éléments de l'ensemble de tête du moteur seraient endommagés ou se détacheraient, exposant ainsi des éléments du moteur ou des composants électriques, vous devez cesser immédiatement d'utiliser l'aspirateur afin de réduire le risque de blessures personnelles ou d'endommagement supplémentaire de l'aspirateur. Cet aspirateur ne contient pas de pièces pouvant être remplacées par l'utilisateur, à l'exception du filtre.

FILTRE DE RECHANGE

Vous pouvez vous procurer des filtres de rechange dans le magasin où vous avez acheté votre aspirateur. Le numéro de catalogue de ces filtres est VF2000.



NOTES

Produit : Modèle BH01000
Garantie limitée de 90 jours

Emerson Tool Company garantit, exclusivement à l'acheteur original, et sous réserve des exclusions décrites ci-dessous, que ce Produit est libéré de défauts de matériau ou de fabrication pendant une période de 90 jours à compter de la date d'achat initiale (la « Période de garantie »).

Ce qui n'est pas couvert

Cette garantie limitée ne couvre pas, et exclut expressément, les pertes ou dommages causés par une utilisation commerciale du produit, les défaillances entraînées par une utilisation non conforme aux instructions, un accident, un emploi abusif, de la négligence, une réparation non autorisée (autrement que par un réparateur agréé par Emerson Tool Company) et/ou l'usure normale.

Ce que nous ferons pour remédier aux problèmes

Si une réclamation soumise pendant la Période de garantie est couverte en vertu de la présente garantie limitée, Emerson Tool Company, à sa seule appréciation, fournira l'un des remèdes suivants comme le **SEUL ET UNIQUE REMÈDE POUR UN TEL MANQUEMENT** : (a) la réparation, la correction ou le remplacement de la partie défectueuse du Produit et son renvoi sans frais, ou (b) la fourniture d'un remboursement égal au prix d'achat payé pour le Produit.

Aucune autre garantie expresse ne s'applique

La présente garantie limitée est la seule et unique garantie accordée aux acheteurs originaux du Produit. Aucun employé, agent, distributeur ou qui ce soit d'autre n'est autorisé à altérer cette garantie limitée, ou à offrir toute autre garantie au nom d'Emerson Tool Company.

Comment nous notifier

Pour obtenir cette garantie limitée, avant la date de son expiration, veuillez téléphoner au Service à la clientèle au 1-866-994-8759 pour les États-Unis ou le Canada, ou au 01-888-237-0981 pour le Mexique. Si le délai normal de retour de marchandise du détaillant a expiré, le Produit doit être expédié, avec une copie de son reçu indiquant la vente initiale, à Emerson Tool Company en port payé. Après avoir reçu le Produit, Emerson Tool Company déterminera, à son appréciation exclusive et absolue, si la revendication est couverte ou est soumise aux limitations ou aux exclusions décrites dans cette garantie limitée. Toutes réparations ou modifications apportées au Produit par toute partie autre qu'Emerson Tool Company, ou son (ou ses) représentant(s) autorisé(s), annuleront la présente garantie.

Limitation de responsabilité

DANS LA MESURE AUTORISÉE PAR LA LOI, EMERSON TOOL COMPANY NE SERA EN AUCUN CAS RESPONSABLE POUR DE QUELCONQUES DOMMAGES ACCESSOIRES, SPÉCIAUX, INDIRECTS OU SECONDAIRES, Y COMPRIS TOUTE PERTE ÉCONOMIQUE, RÉSULTANT DE L'ABSENCE DE PERFORMANCE, D'UN RETARD DANS LA PERFORMANCE, DE L'UTILISATION CONFORME OU ABUSIVE, OU DE L'INCAPACITÉ D'UTILISATION, DU PRODUIT, OU D'UNE NÉGLIGENCE D'EMERSON TOOL COMPANY, ET ELLE NE SERA PAS RESPONSABLE DE DOMMAGES DÉPASSANT LE PRIX PAYÉ PAR L'ACHETEUR ORIGINAL DU PRODUIT, QUELLE QUE SOIT LA FORME DE LA REVENDICATION OU LA CAUSE DE L'ACTION INTENTÉE. L'expression « dommages accessoires » comprendra, entre autres choses, la perte de bénéfices attendus, l'interruption d'exploitation, la perte d'utilisation ou de revenus, le coût du capital, ou la perte ou l'endommagement de biens ou d'équipements.

Comme certains États et certaines Provinces ne permettent pas l'exclusion ou la limitation des dommages secondaires ou accessoires, il est possible que la limitation qui précède ne se vous applique pas.

Cette garantie limitée vous confère des droits spécifiques d'après la loi, et vous pouvez également disposer d'autres droits qui varient selon l'État, la Province ou le pays dans lequel vous résidez.

Stock N° BH0100
Numéro de modèle BH01000
Numéro de série _____

Le code de date du produit peut être consulté sur le verrou du tambour, et le numéro de modèle peut être consulté sur le côté du bloc-moteur. Il est recommandé d'inscrire ces deux numéros en lieu sûr pour référence future.

QUESTIONS OU COMMENTAIRES ? TÉLÉPHONER

Aux États-Unis ou au Canada : 1-866-994-8759

Au Mexique : 001-888-237-8981

Prière d'avoir votre numéro de modèle ainsi que votre numéro de série à portée de la main avant de nous appeler.

BUCKET HEAD™
BLOC-MOTEUR D'ASPIRATEUR DE LIQUIDES ET DE POUSSIÈRES