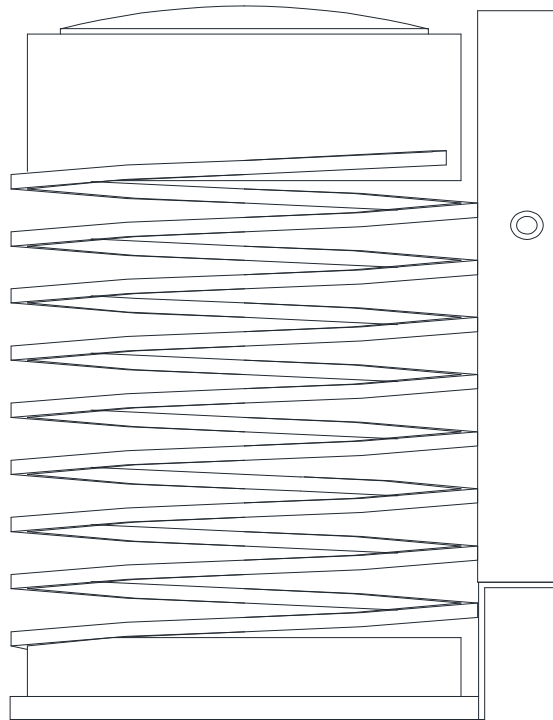


USE AND CARE GUIDE

LED WALL LANTERN



Questions, problems, missing parts? Before returning to the store,
call Home Decorators Collection Customer Service
8 a.m. - 7 p.m., EST, Monday - Friday, 9 a.m. - 6 p.m., EST, Saturday

1-800-986-3460

HOMEDEPOT.COM/HOMEDECORATORS

THANK YOU

We appreciate the trust and confidence you have placed in Home Decorators Collection through the purchase of this LED wall lantern. We strive to continually create quality products designed to enhance your home. Visit us online to see our full line of products available for your home improvement needs. Thank you for choosing Home Decorators Collection!

Table of Contents

| | | | |
|---------------------------|---|-------------------------|---|
| Table of Contents | 2 | Package Contents | 5 |
| Safety Information..... | 2 | Installation | 6 |
| Limited Warranty..... | 3 | Maintenance..... | 7 |
| What is Covered | 3 | Care and Cleaning | 7 |
| What is Not Covered | 3 | Troubleshooting | 7 |
| Pre-installation | 4 | Service Parts..... | 8 |
| Tools Required | 4 | | |
| Hardware Included | 4 | | |

Safety Information

- Before you begin, make sure you carefully read and understand the instructions in this manual. Please follow the instructions in the order presented in this manual and observe all warnings and cautions.



WARNING: Consult a qualified electrician if you have any electrical questions.



WARNING: Before beginning installation, turn off electricity at the circuit breaker box or the main fuse box.



NOTE: This equipment has been tested and found to comply with the limits for a Class B digital device, pursuant to Part 15 of the FCC Rules. These limits are designed to provide reasonable protection against harmful interference in a residential installation. This equipment generates, uses and can radiate radio frequency energy and, if not installed and used in accordance with the instructions, may cause harmful interference to radio communications. However, there is no guarantee that interference will not occur in a particular installation. If this equipment does cause harmful interference to radio or television reception, which can be determined by turning the equipment off and on, the user is encouraged to try to correct the interference by one or more of the following measures: Reorient or relocate the receiving antenna. Increase the separation between the equipment and receiver. Connect the equipment into an outlet on a circuit different from that to which the receiver is connected. Consult the dealer or an experienced radio/TV technician for help.

Limited Warranty

WHAT IS COVERED

The manufacturer warrants this lighting fixture to be free from defects in materials and workmanship for a period of three (3) years from date of purchase. This warranty applies only to the original consumer purchaser and only to products used in normal use and service. If this product is found to be defective, the manufacturer's only obligation, and your exclusive remedy, is the repair or replacement of the product at the manufacturer's discretion, provided that the product has not been damaged through misuse, abuse, accident, modifications, alterations, neglect or mishandling. This warranty shall not apply to any product that is found to have been improperly installed, set-up, or used in any way not in accordance with the instructions supplied with the product. This warranty shall not apply to a failure of the product as a result of an accident, misuse, abuse, negligence, alteration, or faulty installation, or any other failure not relating to faulty material or workmanship. This warranty shall not apply to the finish on any portion of the product, such as surface and/or weathering, as this is considered normal wear and tear.

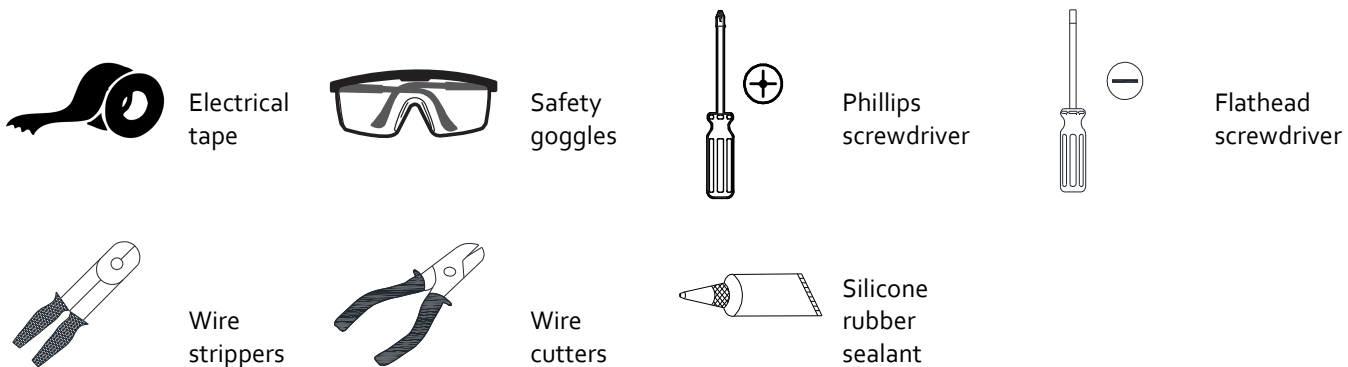
WHAT IS NOT COVERED

The manufacturer does not warrant and specially disclaims any warranty, whether express or implied, of fitness for a particular purpose, other than the warranty contained herein. The manufacturer specifically disclaims any liability and shall not be liable for any consequential or incidental loss or damage, including but not limited to any labor / expense costs involved in the replacement or repair of said product.


Contact the Customer Service Team at 1-800-986-3460 or visit www.HomeDepot.com/HomeDecorators.

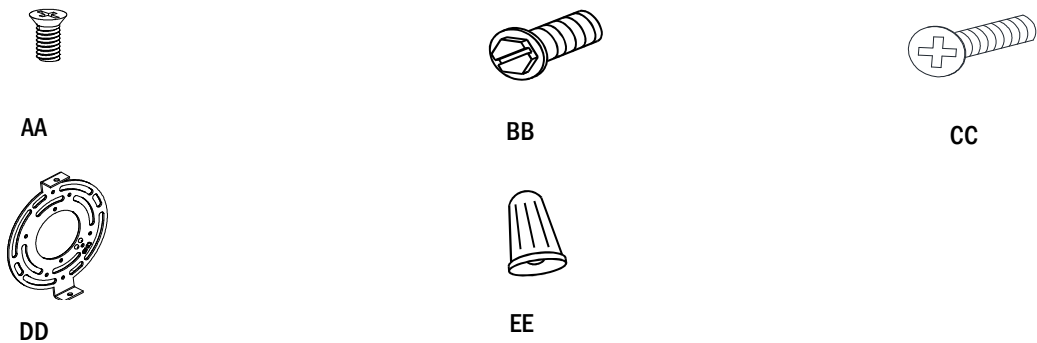
Pre-installation

TOOLS REQUIRED (NOT INCLUDED)



HARDWARE INCLUDED

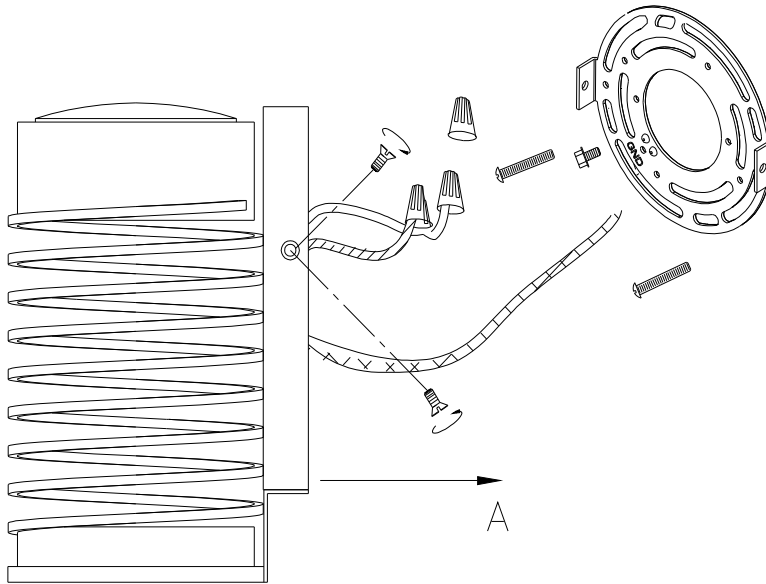
 **NOTE:** Hardware not shown to actual size.



| Part | Description | Quantity | |
|------|-------------------|----------------|----------------|
| | | SKU 1001859519 | SKU 1001859533 |
| AA | Screw | 2 | 2 |
| BB | Ground Screw | 1 | 1 |
| CC | Outlet Box Screws | 2 | 2 |
| DD | Mounting Plate | 1 | 1 |
| EE | Wire Connectors | 3 | 3 |

Pre-installation (continued)

PACKAGE CONTENTS

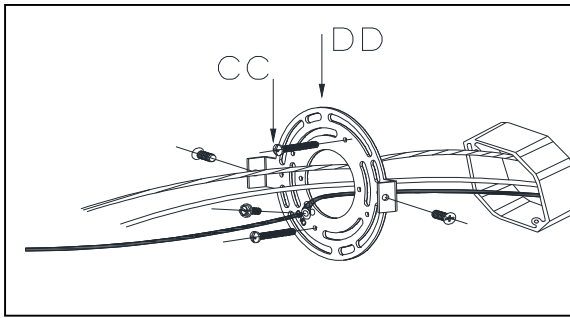


| Part | Description | Quantity | |
|------|-------------|----------------|----------------|
| | | SKU 1001859519 | SKU 1001859533 |
| A | Fixture | 1 | 1 |

Installation

1 Installing the mounting plate to the outlet box

- Mount the mounting plate (DD) to the outlet box using the two provided outlet box screws (CC). The side of the mounting plate (DD) marked "GND" must face out.

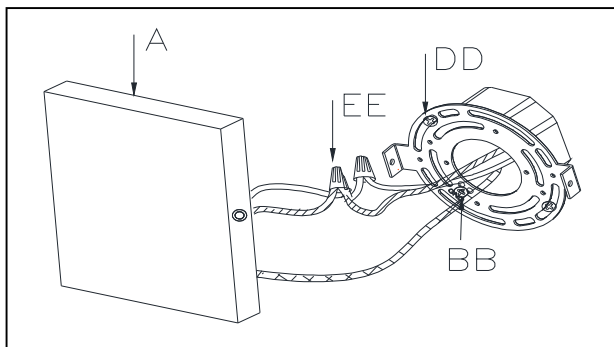


2 Connecting wires

- Connect the white wire from the fixture (A) to the white wire from the outlet box, and the black wire from the fixture (A) to the black wire from the outlet box. Cover the two wire connections using the two provided wire connectors (EE). Wrap the two wire connections with electrical tape for a more secure connection. If your outlet box has a ground wire (green or bare copper), connect the fixture's (A) ground wire to it using the wire connector (EE). Otherwise connect the copper ground from the fixture (A) to the ground screw (BB) on the mounting plate (DD).

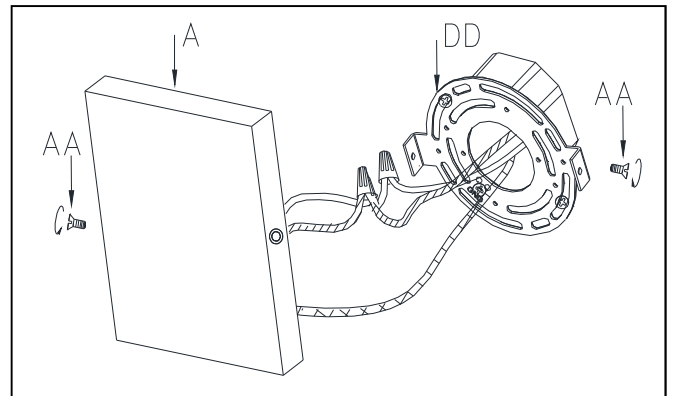


NOTE: If you have electrical questions, consult your local electrical code for approved grounding methods.



3 Mounting the fixture body on the wall

- Mount the fixture (A) on the wall by aligning the mounting plate (DD) wing holes to side holes of the fixture (A). Be careful not to pinch any of the wires between the fixture and the outlet box. Tighten the fixture to the wall by screwing the two screws (AA) into the side holes of the fixture (A).
- Once the fixture (A) is mounted on the wall, caulk the space between the wall and the upper 3/4 area of the fixture (A) to prevent water seeping into the outlet box. Leave the bottom 1/4 area un-caulked for drainage of any water which might leak into the enclosure.



Maintenance

- Do not use any cleaners with chemicals, solvents or harsh abrasives. Use only a dry soft cloth to dust or wipe carefully.

Care and Cleaning

- To clean the outside of the fixture, use a dry or slightly dampened clean cloth (use clean water, never a solvent) to wipe the glass and surface of the fixture.
- To clean the inside of the fixture, first disconnect power to the fixture by turning off the circuit breaker or by removing the fuse at the fuse box. Next, use a dry or slightly dampened clean cloth (use clean water, never a solvent) to wipe the inside glass and interior surface of the fixture.

Troubleshooting

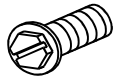
| | Possible Cause | Corrective Action |
|--|---|-------------------------------|
| The fixture will not light. | The LED is burned out. | Replace the fixture. |
| | The power is off. | Make sure power supply is on. |
| | There is a faulty wire connection. | Check wiring. |
| | There is a faulty switch. | Test or replace the switch. |
| The fuse blows or circuit breaker trips when the light is turned on. | There are crossed wires or power wire is grounding out. | Check the wire connections. |

Service Parts

MODEL TYPE



AA



BB



CC



DD



EE

| Part | Description | Quantity | |
|------|-------------------|----------------|----------------|
| | | SKU 1001859519 | SKU 1001859533 |
| AA | Screw | 2 | 2 |
| BB | Ground Screw | 1 | 1 |
| CC | Outlet Box Screws | 2 | 2 |
| DD | Mounting Plate | 1 | 1 |
| EE | Wire Connectors | 3 | 3 |

HOME DECORATORS COLLECTION

Questions, problems, missing parts? Before returning to the store,
call Home Decorators Collection Customer Service
8 a.m. - 7 p.m., EST, Monday - Friday, 9 a.m. - 6 p.m., EST, Saturday

1-800-986-3460

HOMEDEPOT.COM/HOMEDECORATORS

Retain this manual for future use.