

HOME DECORATORS COLLECTION

Hardwire Pendant Light

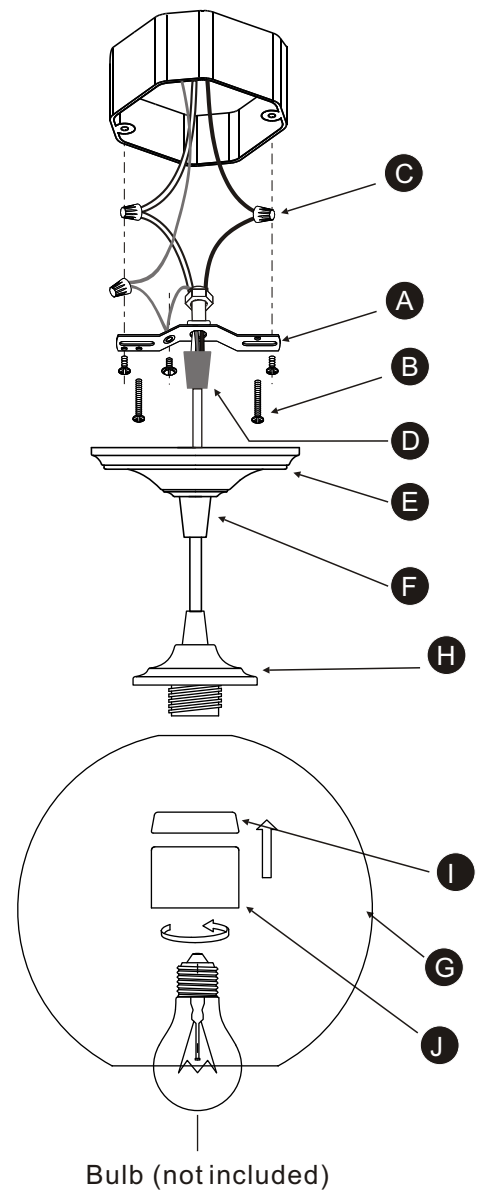
Assembly Instructions

HDC#: 1235705420 MFG#: PBW-3524-1000

Please read over the instructions, it will be a time-saver in the long run.

PACKAGE CONTENTS

Part	Description	Quantity
A	Crossbar	1
B	Mounting screw	2
C	Wire Nut	3
D	Finial Nut	1
E	Canopy	1
F	Compression Nut	1
G	Shade	1
H	Lamp cup	1
I	Spacer ring (optional)	1
J	Socket ring	1



IMPORTANT SAFETY INFORMATION

- TURN POWER OFF AT THE MAIN POWER PANEL OR FUSE BOX BEFORE INSTALLING OR REPLACING THE FIXTURE AND/OR WHEN REPLACING THE BULBS.
- THIS PRODUCT MUST BE INSTALLED IN ACCORDANCE WITH ALL APPLICABLE INSTALLATION CODES BY A PERSON FAMILIAR WITH THE CONSTRUCTION AND OPERATION OF THE PRODUCT AND THE HAZARDS INVOLVED.
- If you are not familiar with electrical wiring, it is recommended that you secure the services of a qualified electrician who can assure that this installation meets local, state, and national codes
- The electrical system and the method of connecting this fixture to the system must be in accordance with local, state, and national electrical codes
- This fixture is to be connected to a 120-volt, 60Hz power source
- Connecting to a different power source may create a hazard and will void the warranty
- Do not use near or around flammable/combustible materials or liquids
- The bulb and unit can get hot during use. Turn off the power and allow the unit to cool down for at least 20 minutes before working on the unit.
- Never use a bulb with a higher wattage than the stated maximum wattage allowed for the fixture
- Using a higher wattage bulb may cause a fire hazard and/ or cause damage to the unit.
- If it becomes necessary to replace the glass, only use a tempered safety glass of equal thickness.
- Do not attempt to open the fixture housing, There are no serviceable parts inside.
- All fixtures should be mounted to a ground junction box.

CEILING INSTALLATION

1. Pull out all wires(White, Black, and Ground) out of junction box.
2. Unscrew Compression Nut(F) from Canopy (E) and slide Canopy (E) down cord, Then unscrew Finial Nut(D) from the Crossbar(A). and slide the Crossbar(A) to suitable place to ease installation of Crossbar (A) to junction box.
3. Mount the Crossbar (A) to the junction box by using provided Mounting Screws (B) as shown in the picture.
4. Using Wire Nuts (C) connect black wire from fixture to black wire from junction box. Connect white wire from fixture to white wire from junction box. Connect green wire of fixture to green or copper ground wire from the junction box. NOTE: Some junction boxes may not have a ground wire. In this case, attach green wire from the fixture to the ground screw located on Crossbar (A), as shown in the picture.
5. Tuck wires back into junction box.
6. Screw Finial Nut (D) onto Crossbar, Slide Canopy (E) back up cord and against the ceiling, then use Compression Nut (F) to fix the Canopy (E), pls don't over tighten the Compression Nut (F).
7. Attach glass shade(G) to lamp cup (H) add spacer ring (I) if necessary, and then screw on the socket ring (J) clockwise until tight. Spacer ring (I) is only needed if glass shade(G) is loose when using just the socket ring (J)
8. Install bulb (not included).

WARNING: For some length adjustments it may be necessary to cut the cord. For this, turn off all power at the main power panel or fuse box then call a qualified electrician who can assure that this modification meets all safety and local regulations