

# Use and Care Guide

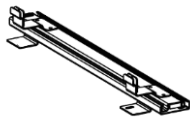
## Single Sliding Deep Basket



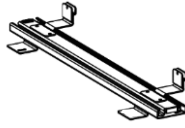
### PACKAGE CONTENTS



A - BASKET x1



B - LEFT SLIDE x1



C - RIGHT SLIDE x1



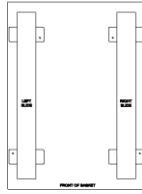
D - RACK PLATE x4



E - PLATE SCREW x4



F - CABINET SCREW x4

G - CABINET MOUNTING  
TEMPLATE x1

Note: You will need a Phillips screwdriver for assembly. A rubber mallet is also recommended.

## Instructions –on wire rack

### STEP 1

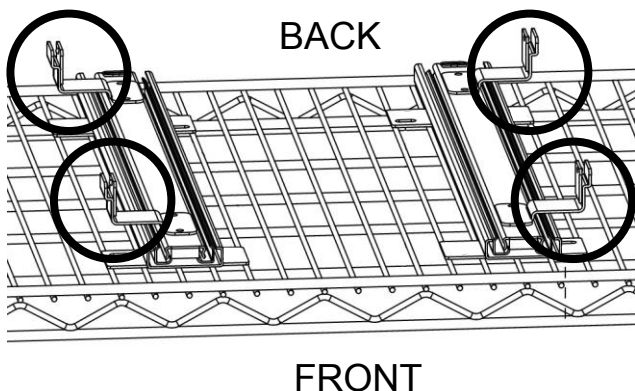
Identify LEFT & RIGHT SLIDES (B) & (C).

- Note that the BACK end of each SLIDE (B) & (C) has a black tip and the FRONT end does NOT.

Place SLIDES (B) & (C) on desired wire shelf. Make sure the FRONT of the SLIDES (B) & (C) is lined up with the FRONT of the shelf.

Line up the slides along the wires in the wire shelf to ensure they are straight. Make sure the front edge of the BASKET (A) lines up to the edge of the shelf so they are flush.

CLIPS should be on the OUTSIDE.

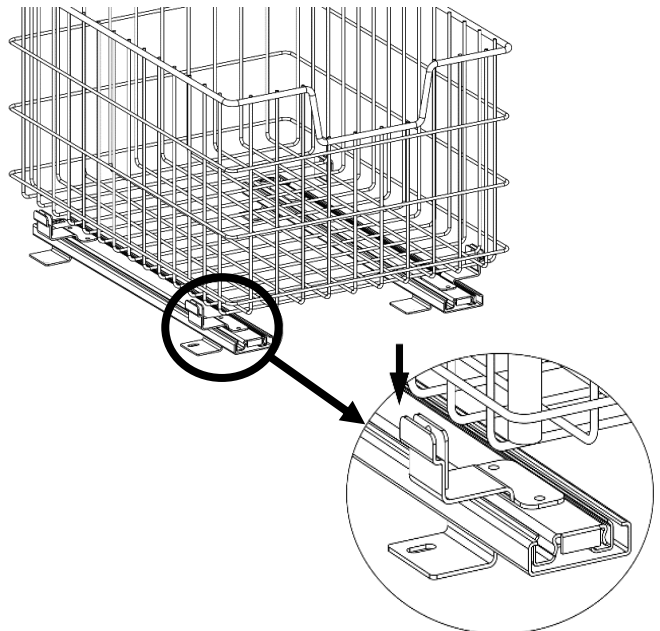


### STEP 2

Rest BASKET (A) on top of the CLIPS to ensure proper SLIDE spacing.

- Note: For ease of installation, do NOT clip the BASKET (A) into the LEFT & RIGHT SLIDES (B) & (C) until Step 4.

Position as such:

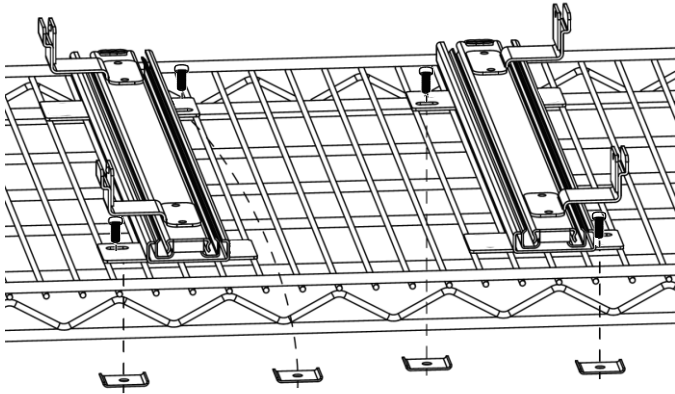


# Instructions –on wire rack

## STEP 3

With a Phillips screwdriver, secure the SLIDES (B) & (C) to the wire shelf by putting PLATE SCREWS (E) through the slots and fasten to the RACK PLATES (D).

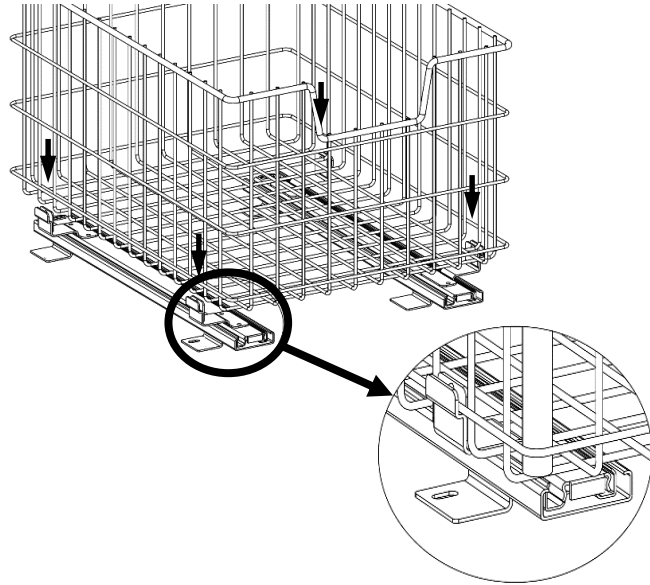
You will only need (2) sets of RACK PLATES (D) and PLATE SCREWS (E) for each slide. Mount each set diagonally from one another on a slide for maximum stability.



## STEP 4

Attach the BASKET (A) to the clips in the LEFT and RIGHT SLIDES (B) & (C) until it clicks into the clip.

**Installation Suggestion:** With the BASKET (A) resting on top of the CLIPS, brace the top of the BASKET (A) with one hand and, with a rubber mallet, lightly tap each bottom corner of the CLIPS to secure the BASKET (A) into the CLIPS.

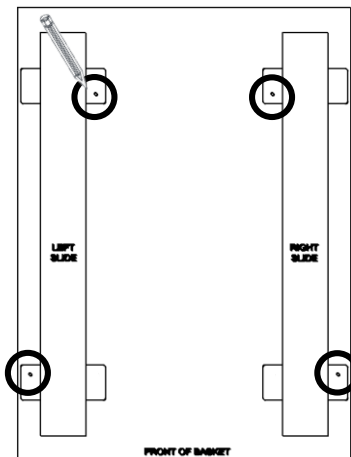


# Instructions –in cabinet

## STEP 1

Place CABINET MOUNTING TEMPLATE (G) inside your cabinet. Using a pencil, mark the location where you plan to install the CABINET SCREWS (F).

- Note: You will only need (2) CABINET SCREWS (F) for each slide. Mount CABINET SCREWS (F) diagonally from one another on a slide for maximum stability. To ease the installation you can pre-drill small holes at the marked locations.



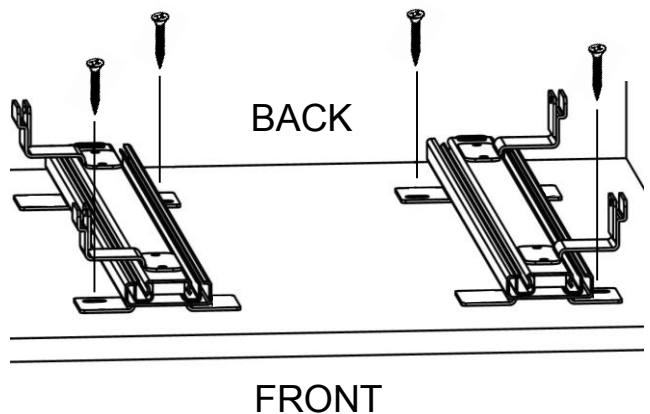
## STEP 2

Identify LEFT & RIGHT SLIDES (B) & (C).

- Note that the BACK end of each SLIDE (B) & (C) has a black tip and the FRONT end does NOT.

Place LEFT & RIGHT SLIDES (B) & (C) in their proper orientation and desired position inside the cabinet.

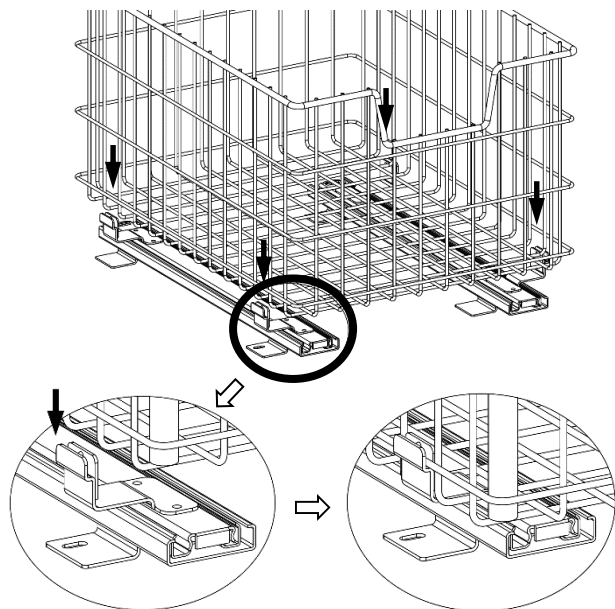
Extend the SLIDES (B) & (C) slightly and align the center of the oval slots to your marking in the cabinet. Use the self-tapping CABINET SCREWS (F) to fasten the LEFT & RIGHT SLIDES (B) & (C) in your cabinet.



## STEP 3

Align BASKET (A) at the marked location and push it into the clips of the LEFT & RIGHT SLIDES (B) & (C).

**Installation Suggestion:** With the BASKET (A) resting on top of the clips, brace the top of the BASKET (A) with one hand and, with a rubber mallet, lightly tap each bottom corner of the BASKET (A) to secure the BASKET (A) into the clips.



## Safety Information

1. **Read and understand all instructions.** Failure to follow all instructions may result in injury and/or damage.
2. **The warnings, cautions, and instructions discussed in this manual cannot cover all possible conditions or situations that may occur.** The user must always be aware of their environment and ensure that they use the product in a safe and responsible manner.
3. **Do NOT modify the product in any way.** Unauthorized modification may impair the function and/or safety of the product, and may affect the life of the product.
4. **Check for damaged parts.** Before using this product, carefully check that all parts are in good condition, and that the product will operate properly and perform its intended function. Check for damaged parts and any other conditions that may affect the operation of this product. Replace damaged or worn parts, and never use this product with a damaged part.
5. **Do NOT overload the product.** Each basket holds up to 50 lb with equal weight distribution.
6. **Do NOT allow children to climb or play in the basket.**