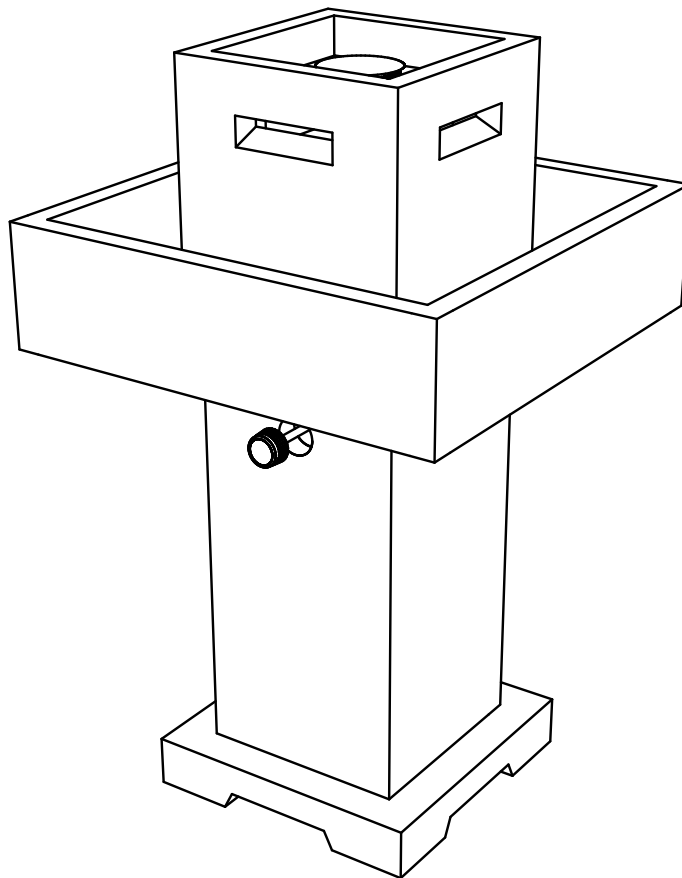


OWNER'S MANUAL

 **READ BEFORE USE!**

Item No.: WAR-191



Intertek

5010198

CONSUMER: Retain this manual FOR FUTURE REFERENCE. READ

CAREFULLY AND COMPLETELY BEFORE ASSEMBLY OR USE

- **FOR USE WITH 1.02LBS CYLINDER WITH TYPE 1 CONNECTION ONLY (NOT SUPPLIED)**
For propane use only.
- This outdoor gas appliance is to be installed on a flat, solid and **NON COMBUSTIBLE** surface.

DANGER!: If the information in this manual is not followed exactly, a fire or explosion may result causing property damage, personal injury or loss of life.



DANGER

FIRE OR EXPLOSION HAZARD

If you smell gas:

1. Shut off gas to the appliance.
2. Extinguish any open flame.
3. If odor continues, keep away from the appliance and immediately call your gas supplier or fire department.

Failure to follow these instructions could result in fire or explosion, which could cause property damage, personal injury, or death.



WARNING

- Do not store or use gasoline or other flammable vapors and liquids in the vicinity of this or any other appliance.
- An LP-cylinder not connected for use shall not be store in the vicinity of this or any other appliance.



WARNING: For Outdoor Use Only.

Installation and service must be performed by a qualified installer, service agency, or the gas supplier.

INSTALLER: Leave this manual with the appliance.

CONSUMER: Retain this manual for future reference.

DANGER



CARBON MONOXIDE HAZARD

This appliance can produce carbon monoxide which has no odor.

Using it in an enclosed space can kill you.

Never use this appliance in an enclosed space such as a camper, tent, car or home.



WARNING

State of California Proposition 65 Warning: Propane and by products of combustion of propane contain chemicals known to the State of California to cause cancer, birth defects, or other reproductive harm.

⚠ DANGER • FLAMMABLE GAS UNDER PRESSURE.
LEAKING LP-GAS MAY CAUSE A FIRE OR EXPLOSION IF IGNITED
CAUSING SERIOUS BODILY INJURY OR DEATH.
CONTACT LP GAS SUPPLIER FOR REPAIRS, OR DISPOSAL OF THIS
CYLINDER OR UNUSED LP-GAS.

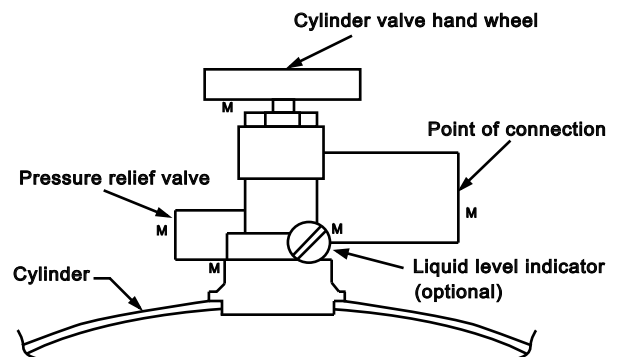
⚠ WARNING • FOR OUTDOOR USE ONLY.*
DO NOT USE OR STORE CYLINDER IN A BUILDING,
GARAGE OR ENCLOSED AREA.

⚠ WARNING:

- Know the odor of LP-gas. If you hear, see or smell leaking LP-gas, immediately get everyone away from the cylinder and call the Fire Department. Do not attempt repairs.
- Caution your LP-gas supplier to:
 - Be certain cylinder is purged of trapped air prior to first filling.
 - Be certain not to over fill the cylinder.
 - Be certain cylinder requalification date is checked.
- LP-gas is heavier than air and may settle in low places while dissipating.
- Contact with the liquid contents of cylinder will cause freeze burns to the skin.
- Do not allow children to tamper or play with cylinder.
- When not connected for use, keep cylinder valve turned off. Self contained appliances shall be limited to a cylinder of 1 lb capacity or less.
- Do not use, store or transport cylinder where it would be exposed to high temperatures. Relief valve may open allowing a large amount of flammable gas to escape.
- When transporting, keep cylinder secured in an upright position with cylinder valve turned off.

WHEN CONNECTING FOR USE:

- Use only in compliance with applicable codes.
- Read and follow manufacturers instructions.
- Consult manufacturer's instructions concerning the cylinder connection provided with your appliance.
- Be sure regulator vent is not pointing up.
- Turn off all valves on the appliance.
- Do not check for gas leaks with a match or open flame. Apply soapy water at areas marked "X". Open cylinder valve. If bubble appears, close valve and have LP-gas service person make needed repairs. Also, check appliance valves and connections to make sure they do not leak before lighting appliance.
- Light appliance(s) following manufacturer's instructions.
- When appliance is not in use, keep the cylinder valve closed.



DO NOT REMOVE, OEFACE, OR OBLITERATE THIS LABEL

• EXCEPT AS AUTHORIZED BY ANSI / NFPA 58.

⚠ DANGER. Do not store a spare LP cylinder under or near a barbecue grill, or other heat sourced.
NEVER. Fill an LP cylinder beyond 80% full: a fire causing death or serious injury may occur.

TABLE OF CONTENTS

Important Safety Information.....	page 5
Information About Propane (LP) Gas.....	page 6
Specifications.....	page 6
Product Diagram.....	page 7
Installation Instructions.....	page 8
Installation Instructions.....	page 9
Operation Instruction.....	page 10
Maintenance Information.....	page 10
Parts List.....	page 11

IMPORTANT SAFETY INFORMATION

- The installation must conform with local codes or, in the absence of local codes, with the National Fuel Gas Code ANSI Z223.1/NFPA 54 or CAN/CGA-B149.2 Propane Installation Code.
- Use as directed – do not modify. Do not operate unit when wet.
- The appliance area must be kept clear and free from **COMBUSTIBLE** materials, gasoline, and other flammable vapors and liquids.
- To clean burner and fireplace body, use a soft brush after the burner has cooled completely. Never use a vacuum cleaner for the burner.
- Do not use this appliance if any part of the burning system has been under water. Immediately call a qualified service technician to inspect the appliance, and to replace any part of the control system and any gas control which has been under water.
- Before each use of this gas appliance, the burner must be inspected against any deformation and break. The burner for this appliance is not replaceable.

How to perform a gas leak test: Prepare some soapy water in a spray bottle before making this test. Make sure you are in a very well-ventilated area OUTDOOR!

Connect gas canister and open the gas inlet valve.

Spray abundantly over the gas connections. Do not spray the burner.

If you can see bubbles, stop, shut off the inlet valve and verify the connections are tight including the canister.

Repeat the test. If the bubbles still persist, do not attempt to light the burner.

Shut off all gas and seek professional help.

- **Never use a flame to check for gas leaks. A statement that solid fuels shall not be burned in this appliance; the minimum inlet gas supply pressure for the purpose of input adjustment.**
- **Children and adults should be alerted to the hazards of high surface temperatures and keep a safe distance to avoid burns or clothing ignition.**
- **Young children should be carefully supervised when they are anywhere near the appliance.**
- **Clothing or other flammable material should not be hung from the appliance, or place on or near the appliance.**
- **Any guard, barrier, or other protective device should be removed for servicing the appliance shall be replaced prior to operating the appliance.**
- **For appliances requiring a barrier, as determined under Clause 5.20.2, A barrier designed to reduce the risk of burns from the hot viewing glass is provided with this appliance and shall be installed for the protection of children and other at-risk individuals.**
- **If the barrier becomes damaged, the barrier shall be replaced with the manufacturer's barrier for this appliance.**
- **Do not use this appliance if any part has been under water. Immediately call a qualified service technician to inspect the appliance and to replace any part of the control system and any gas control that has been under water.**
- **When the appliance is equipped with a CGA No. 600 Cylinder Connection, a statement that specifies that the cylinder be disconnected when the appliance is not in use.**
- **A list of replacement parts and the source where such parts are available.**
- **A pictorial diagram in at least two views or a single exploded view depicting proper positioning of field assembled parts. The following statement must be included with the pictorial diagrams: "Failure to position the parts in accordance with these diagrams or failure to use only parts specifically approved with this appliance may result in property damage or personal injury."**

INFORMATION ABOUT PROPANE (LP) GAS

A self contained LP-gas for use with this appliance must have a capacity of 1.02 lbs. (height 8 inch, 200mm; diameter 4 inch, 100mm).

The LP-gas supply cylinder to be used must be constructed and marked in accordance with the specifications for LP-gas cylinders of U.S. Department of Transportation (DOT) or the National Standard of Canada, CAN/CSA-B339

- This appliance shall be used only outdoors in a well-ventilated space and shall not be used in a building, garage or any other enclosed space.
- The propane gas pressure regulator with this appliance must be used. If they do not work, contact the service center toll free for replacement. .
- Storage of this appliance indoors is permissible only if the cylinder is disconnect and removed from the appliance.
- Cylinders must be stored outdoors out of the reach of children. Disconnected cylinders must have threaded valve plugs tightly installed and must not be stored in a building, garage or any other enclosed areas.



SPECIFICATIONS

Canadian Standards Association certified to “ANSI Z21.97-2017/CSA2.41-2017, Outdoor Decorative Gas Fireplace”

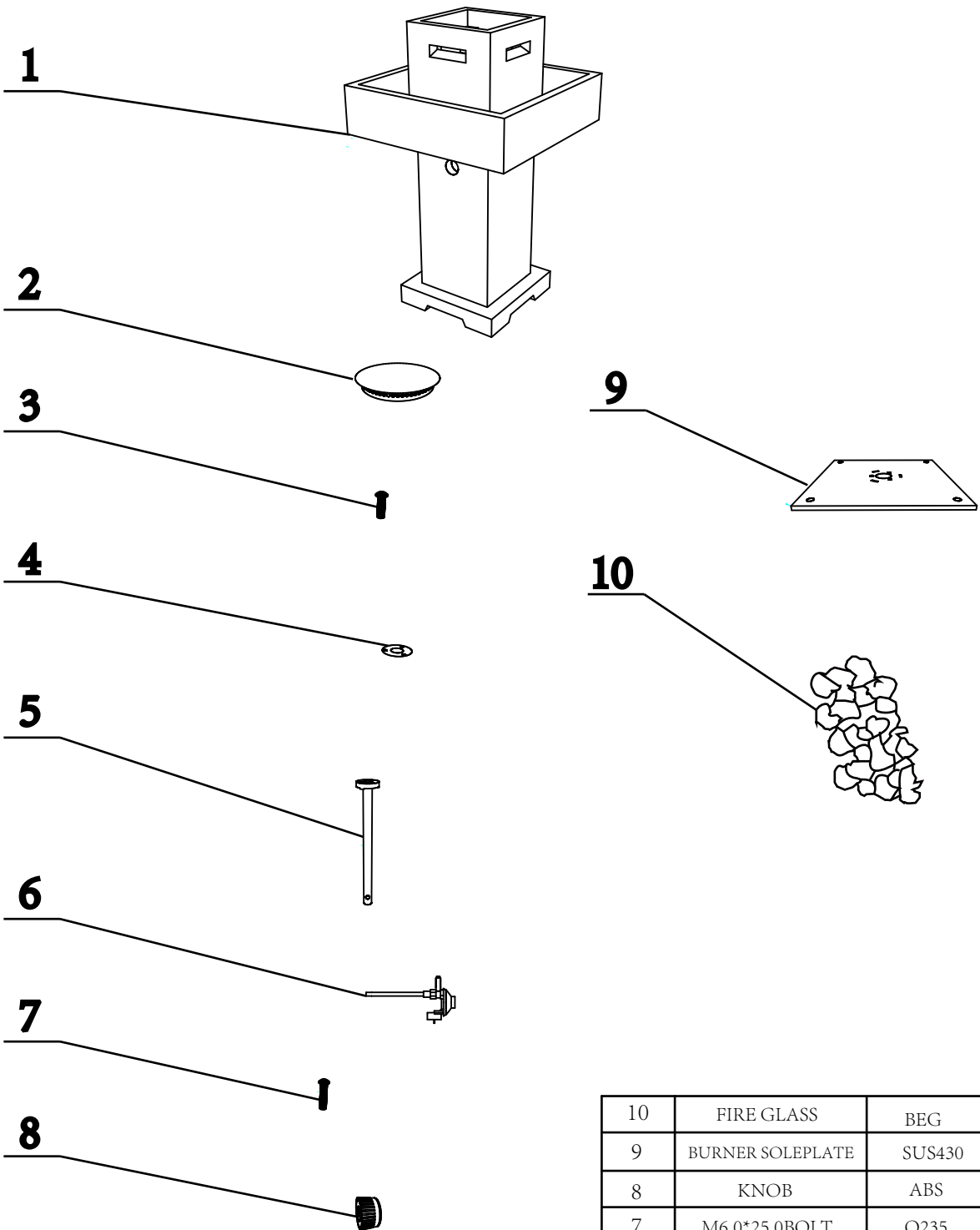
INPUT: 8000 Btu/hr High Fire

Propane Regulator Pressure: 11 inches water column

minimum inlet gas supply pressure: 10psi

Maximum Inlet Gas Supply Pressure: 250 psi

Clearances to combustible surfaces: Sides 24" Top 48"



10	FIRE GLASS	BEG	1
9	BURNER SOLEPLATE	SUS430	1
8	KNOB	ABS	1
7	M6.0*25.0BOLT	Q235	4
6	RETULATOR ASS' Y	PART	1
5	BURNER CONNECTIN	SUS430	1
4	GASKET SEAL	PART	1
3	M4.0*6.0	Q235	3
2	BURNER	SUS430	1
1	BODY	PART	1
No.	PARTS NAME	METERIAL	No.

INSTALLATION INSTRUCTIONS

WARNING:

- This item is heavy. All necessary precautions should be taken when lifting and assembling this fireplace.
- Make certain the fireplace body always remains upright. Do not lie on its side or you could cause damage to the body.

Most parts of this fireplace are pre-assembled before shipment. Please follow below assembly instructions before you start to enjoy your fireplace.

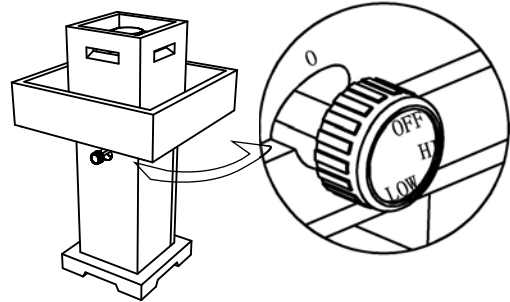
Step 1: Carefully unpack the product, and take out all the components. Make sure you take out all the packaging materials as well.

Step 2: Put the fireplace body on the final position. It should only be put on a flat and **NON-COMBUSTIBLE** floor, and there must be a minimum of 24 inches of clearance from the tabletop to **COMBUSTIBLE** walls. Make sure the valve on the control panel is turned all the way clockwise to the "OFF" position. (Figure 1)

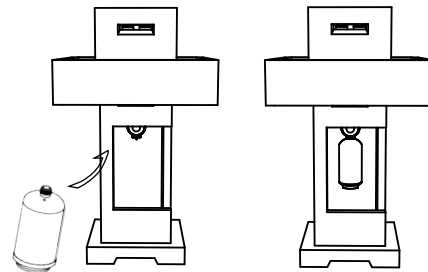
Step 3: Put up the body (Figure 2), put up 1 pound gas tank's adopter to connect valve assembly tight it up by clockwise direction. (Figure 3)

Step 4: Put the lava rocks around the burner. Make sure the height of lava rocks don't be over the rim of top(Figure 4)

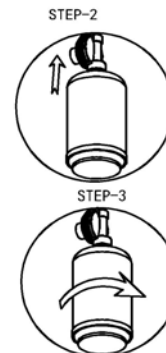
Now you're ready to enjoy your pillar fireplace. Follow the operation instructions when you're using this appliance



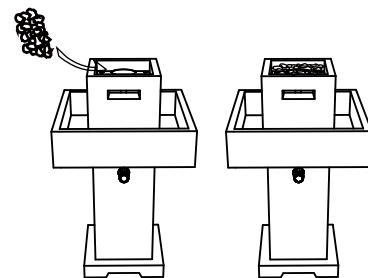
(Figure 1)



(Figure 2)



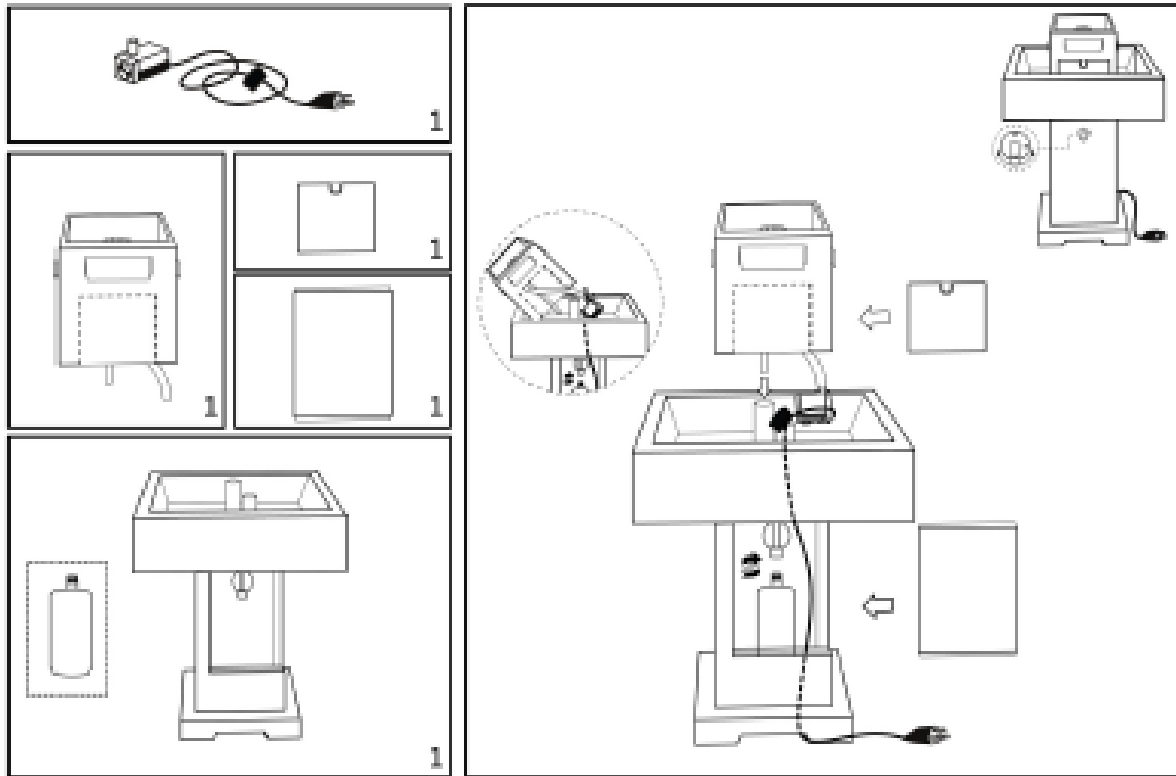
(Figure 3)



(Figure 4)

INSTALLATION INSTRUCTIONS

Parts List/Assembly Table



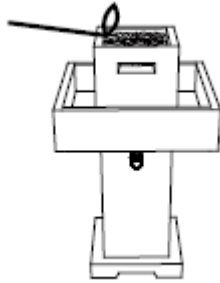
1. Put the basin stand on a clean level surface that cannot be damaged by water.
2. Put the pump in the fountain basin, thread the electric cord through the pipe that is not in the center down into the center of the stand.
3. Put the upper fountain on its edge (as shown).
4. Connect the hose to the pump.
5. Put the upper fountain in place make sure it fits all the way down. Do not force wiggle and push gently down until it sits on the bottom.
6. Put the pump cover in place.
7. Connect a 1lb propane tank to the metal connection inside the column.
8. Fill the clean water.
9. Put the proper tank cover in place.
10. Start as per operating instruction (following page).
11. Plug pump outlet into a properly grounded outlet, check the water flow.

OPERATION INSTRUCTIONS

Lighting and Setting Control for Gas

Before lighting, make sure the valve knob is in the “OFF” position.

1. From the OFF position, push in and turn control knob counter-clockwise to the LOW position.
2. **Always perform a leak test before lighting the burner. See page 4**
3. Hold a lit match within ¼” to the lava logs as shown on below picture, until the burner is lit. If burner fails to light, turn to OFF. Wait 5 minutes before attempting to re-light.



4. Turn control knob to desired heat setting, LOW or HIGH.




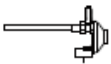
Shut-down for Gas

1. Turn the control knob gently to “OFF” position.
2. Disconnect and remove the gas tank when the gas fireplace is not in use.

MAINTENANCE INFORMATION

1. Adjust the control knob to reach different height for flame.
2. If in raining day, burner should be turned off, and put the cover on the burner.
**Vinyl cover should not be put on this fireplace until the fireplace is cooled down.
Do not light or use gas unit if lava rocks are wet, ensure lava rocks are completely dry before igniting as intense heat could cause the rock to crack.**
3. It is recommended that the fireplace be stored indoors in freezing temperatures. The cylinder must be disconnected and removed from the appliance before the appliance can be stored indoors.
4. The propane canister must be stored outdoors and never close to the operating unit.

Parts List

Numbering	Accessories drawing	Parts Name
HF01171AA-01		Burner
HF01171AA-02		BURNER CONNECTIN
HF01171AA-03		Knob
HF01171AA-04		RETULATOR ASS' Y